



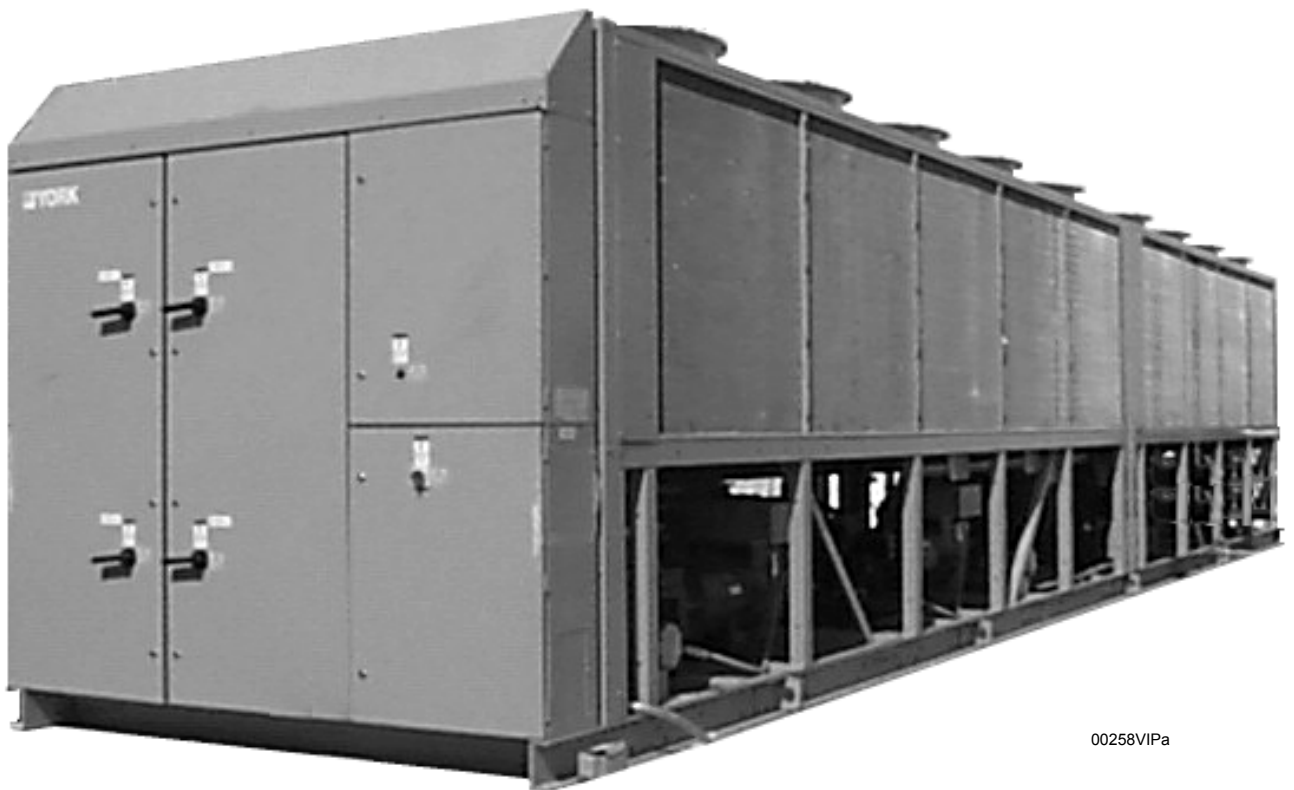
## AIR-COOLED SCREW LIQUID CHILLERS

RENEWAL PARTS

New Release

Form: 201.19-RP3 (404)

### YCAS AIR-COOLED LIQUID CHILLERS MODELS YCAS0250, 0270, 0300 AND YCAS0330 (3 COMPRESSOR) MODELS YCAS0360, 0400, and YCAS0440 (4 COMPRESSOR) STYLE "G"



00258VIPa



244 - 420 TON  
855 - 1474Kw  
60 Hz




200-3-60  
230-3-60  
315-3-60  
460-3-60  
575-3-60  
MODELS ONLY

## CHANGEABILITY OF THIS DOCUMENT

In complying with YORK's policy for continuous improvement, the information contained in this document is subjected to change without notice. While YORK makes no commitment to update or provide current information automatically to the manual user, that information, if applicable, can be obtained by contacting the nearest YORK Engineered Systems Service office.

It is the responsibility of operating/service personnel as to the applicability of these documents to the equipment in question. If there is any question in the mind of operating/ service personnel as to the applicability of these documents, then, prior to working on the equipment, they should verify with the owner, whether the equipment has been modified and if the current literature is available.

Literature updates that may occur will be posted on the Revision Sheet which is included with all manuals. If not found with the manual, the Revision Sheet can be found on the internet at [www.york.com](http://www.york.com).

	<b>AIR-COOLED SCREW LIQUID CHILLERS REVISION SHEET TO RENEWAL PARTS</b>	
<b>REVISION SHEET</b>	Rev Level: New	Form: 201.19-RP3 REV

**YCAS AIR-COOLED LIQUID CHILLERS  
YCAS0130 THROUGH YCAS0230  
STYLE "G"**

<u>REVISION LEVEL</u>	<u>DATE</u>	<u>DESCRIPTION/REFERENCE</u>
A	00/00/0	No changes to 201.19-RP3 (404) to date.

035-XXXXXX-XXX

www.york.com

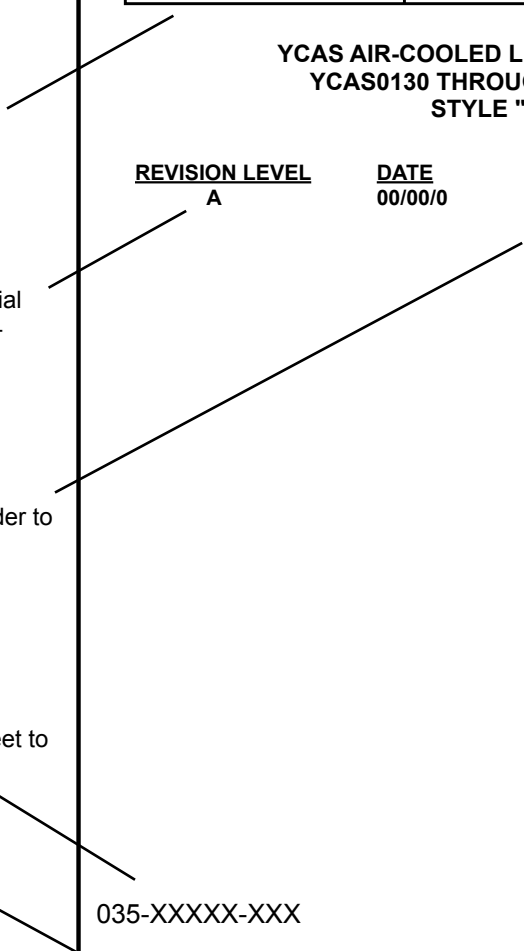
Revision Sheets exist for the IOM and Renewal Parts

Each update will be assigned a sequential Revision Level with the date it was introduced

The Description/Change will explain the change. If necessary it will refer the reader to an additional supplement or bulletin

YORK part number for the Revision Sheet to aid manufacturing and distribution

Web address for the Revision Sheets



## TABLE OF CONTENTS

	<u>PAGE</u>
UNIT NOMENCLATURE NAMEPLATE ENGINEERING DATA .....	5
<b>EVAPORATOR</b>	
EVAPORATOR COMPONENTS .....	6
<b>CONDENSER COILS</b>	
CONDENSER COIL COMPONENTS .....	10
<b>FAN</b>	
FAN COMPONENTS .....	14
<b>PIPING</b>	
REFRIGERANT PIPING COMPONENTS.....	16
RELIEF VALVES AND HP CUTOUT SWITCHES .....	22
<b>COMPRESSOR</b>	
COMPRESSOR .....	24
<b>CONTROL PANEL</b>	
CONTROL PANEL COMPONENTS.....	34
<b>OPTIONS AND POWER PANELS</b>	
OPTION AND POWER PANEL CONFIGURATION .....	36
POWER PANEL COMPONENTS .....	38
OPTIONS PANEL COMPONENTS .....	55
FAN CONTACTOR COMPONENTS .....	64
SENSOR HARNESSES .....	66
TRANSDUCERS AND TEMP SENSORS .....	70
TRANSDUCER AND THERMISTOR WIRE HARNESS CONNECTORS .....	72
<b>CHILLER OPTIONS</b>	
YCAS CHILLER OPTIONS - KITS .....	74
ENCLOSURE KIT OPTIONS .....	75
OPTIVIEW REMOTE CONTROL CENTER .....	84
REMOTE CURRENT/TEMPERATURE RESET PARTS BREAKDOWN .....	85
RECOMMENDED SPARE PARTS.....	86

**TABLE OF CONTENTS (CONT'D)****WARNING****HIGH VOLTAGE**

**Is used in the operation of this equipment.**

**DEATH OR SERIOUS INJURY**

**may result if personnel fail to observe safety precautions.**

Work on electronic equipment should not be undertaken unless the individual(s) have been trained in the proper maintenance of equipment and is (are) familiar with its potential hazards.

Shut off power supply to the equipment before beginning work and follow lockout procedures. When working inside equipment with power off, take care to discharge every capacitor likely to hold dangerous potential.

Be careful not to contact high voltage connections when installing or operating this equipment.

**LOW VOLTAGE**

DO NOT be misled by the term "low voltage." Voltages as low as 50 volts may cause death.

# UNIT NOMENCLATURE NAMEPLATE ENGINEERING DATA

## BASIC PART NUMBER

# YCAS0170EC40XGA

1	2	3	4	5	6	7	8	9	10	11	12	13	14	15
BASE PRODUCT TYPE				NOMINAL CAPACITY				UNIT DESIGNATOR	REFRIGERANT	VOLTAGE/STARTER			DESIGN/DEVELOPMENT LEVEL	
Y	C	A	S	#	#	#	#	S	C	1	7		G	
: YORK : Chiller : Air Cooled S: Screw				Tons/Kw 0250 0270 0300 0330 0360 0400 0440				Standard High Efficiency High Ambient	:R-22 :R-407C	1 7 2 8 4 0 4 6 5 8	:200/3/60 :230/3/60 :380/3/60 :460/3/60 :575/3/60 : X :Across the Line Y :Wye Delta			:Design Series G : :Engineering Change or PIN Level

## PART NUMBER – LETTER CODES

16 17 18 19	20 21 22 23 24 25 26 27 28	29 30 31 32 33 34 35 36 37
POWER FIELD	CONTROLS FIELD	COMPRESSOR / PIPING FIELD
X X : Standard Power Option M D : MP NF Disconnect Switch M B : MP TB w/Ind. Sys. CB M N : MP TB w/Ind. Sys. NFDS S B : SP TB w/Ind. Sys. CB D B : SP NF Disconnect Switch w/Ind. Sys. CB D P : MP NF Disconnect Switch w/Ind. Sys. CB S N : SP TB w/Ind. Sys. NFDS D N : SP NFDS w/Ind. Sys. NFDS T : Control Transformer C : Control Circuit Power Terminal Strip	X : No Ambient Kit T : Temp. Reset / Offset C : Current Reset / Offset M : Temp. and Current Reset / Offset B : ISN Microgateway S : Spanish LCD & Keypad Display F : French LCD & Keypad Display : : : L : N. American Safety Code (cU.L./cETL) N : No Listing (typically 50 HZ non-CE, non-U.L.) : P : Pump Control O : OptiView Remote Panel S : Sequence Control & Automatic Lead Transfer	# # : Low Temp. Brine (LBrT) T S : Thermal Storage C : Chicago Relief Code S : Service Isolation Valve B : Both Chicago Relief Code & Isolation Valve

**MP** = Multiple Point  
**SP** = Single Point  
**NF** = Non-Fused  
**TB** = Terminal Block  
**Ser.** = Service  
**Ind. Sys. Brkr. & L. Ext. Handles** = Individual System Breaker & Lockable External Handle

38 39 40 41 42 43 44	45 46 47	48 49 50 51 52 53 54
EVAP. FIELD	CONDENSER FIELD	CABINET FIELD
X : 150# PSI DWP 3 : 300# PSI DWP D : Double Thick Insulation W : Weld Flange V : Victaulic Flange S : Flow Switch D : Diff. Press. Switch A : ASME Pressure Vessel and Associated Codes R : Remote Cooler	X : Aluminum C : Copper B : Black Fin P : Phenolic X : TEAO Fan Motors	X : Wire Condenser Headers Only (factory) 1 : Wire (Full Unit) Enc. Panels (factory) 3 : Wire/Louvered Enc. Panels (factory) 5 : Louvered (Cond. Only) Enc. Panels (factory) 7 : Louvered (Full Unit) Enc. Panels (factory) B : Acoustic Sound Blanket D : Dual Sound Attenuation P : Compressor Sound Enclosure L : Low Sound Fans H : High Static Fans 1 : 1" Deflection S : Seismic N : Neoprene Pads
55	56	61
EXTENDED FIELD WARRANTY	REFRIGERANT WARRANTY	PLANT OF MANUFACTURE
X : 1st Year Parts Only B : 1st Year Parts & Labor C : 2nd Year Parts Only D : 2nd Year Parts & Labor E : 5 Year Compressor Parts Only F : 5 Year Compressor Parts & Labor Only G : 5 Year Units Parts Only H : 5 Year Unit Parts & Labor	X : No Refrigerant Warranty 1 : 1 Year Refrigerant 2 : 2 Year Refrigerant 5 : 5 Year Refrigerant	R : Monterrey

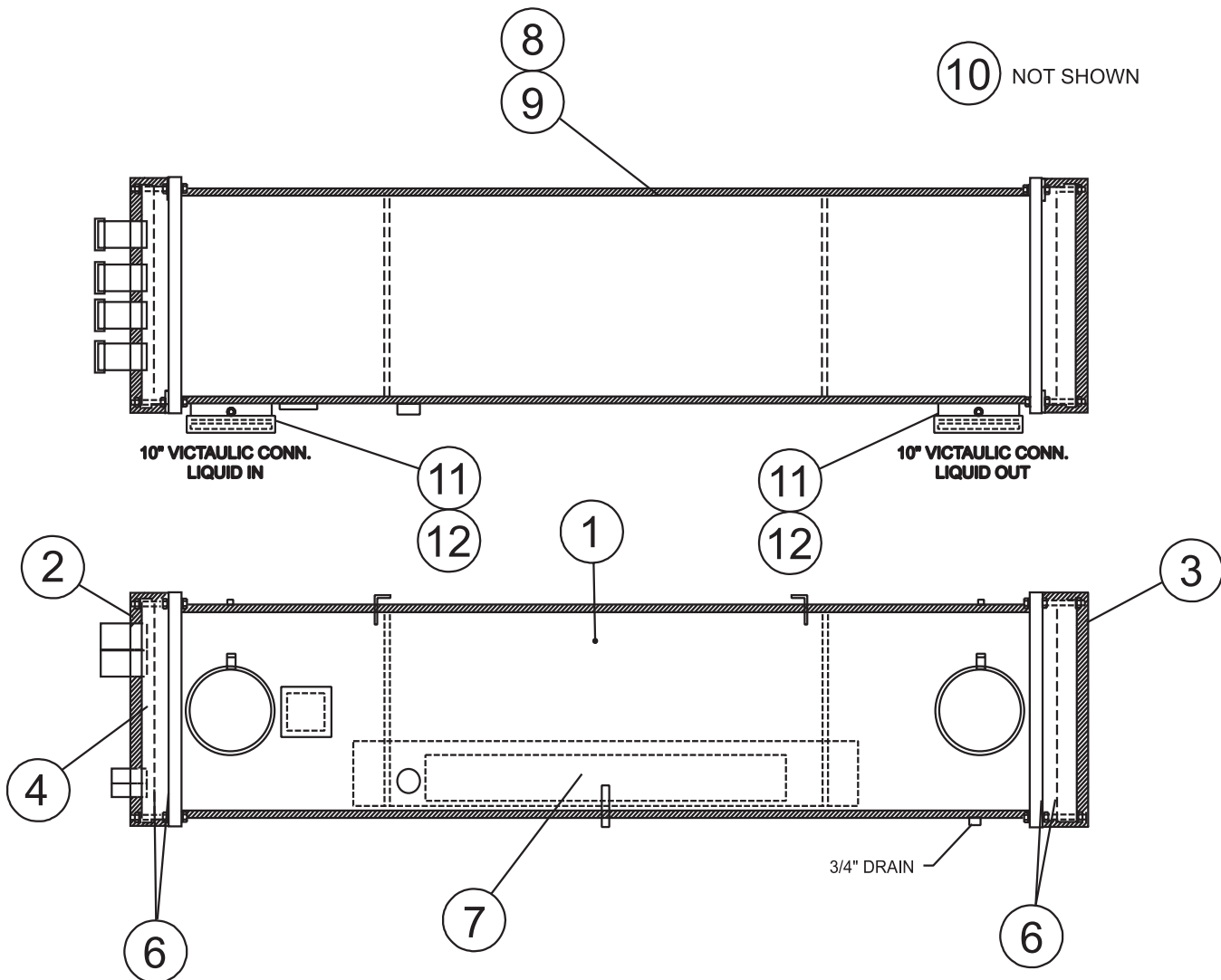
**NOTES:**  
 1. Q :DENOTES SPECIAL / S.Q.  
 2. # :DENOTES STANDARD  
 3. X :w/in OPTIONS FIELD, DENOTES NO OPTION SELECTED  
 4. Agency Files (i.e. U.L. / ETL; CE; ARI; ETC.) will contain info. based on the first 14 characters only.  
 5. Plant of manufacture to include PIN 61 upon entering the chiller order.

# EVAPORATOR COMPONENTS

**Service Note:**

Pin location 38 in Model Number will be "X" for 150# DWP Cooler.

Pin location 38 in Model Number will be "3" for 300# DWP Cooler.



47506-000

**Service Note:**

Standard 150# DWP Cooler Flow Switch - 024-26116-000

Optional 300# DWP Cooler Flow Switch - 024-12144-000

Differential Pressure Switch - 025-30919-000

**FIG. 1 – EVAPORATOR COMPONENTS (REF. TABLE 1, PAGE 7)**

## EVAPORATOR COMPONENTS (CONT'D)

**TABLE 1 – EVAPORATOR COMPONENTS - 150 PSIG (SEE FIG. 1, PAGE 6)**

ITEM NUMBER	QTY PER UNIT	DESCRIPTION	DWP	UNIT MODELS YCAS0250 AND YCAS0270 <b>375-47510-001</b>	UNIT MODELS YCAS0300 THRU YCAS0360 <b>375-47510-003</b>
1	1	Evaporator, less Heater & Insulation	ALL	375-47531-000	375-447532-000
2	1	Head, Connection End	ALL	375-47537-000	375-47537-000
3	1	Head, Back End	ALL	375-47538-000	375-47538-000
4	1	Baffle, Connection End	ALL	375-47585-000	375-47586-000
6	4	Gasket, Baffle and Head	ALL	075-49355-000	075-49355-000
7	2	Heater, Cooler 280 Watt	ALL	025-22691-000	025-22691-000
8	-	Insulation (3/4"x49"x65")	ALL	010-05997-000	010-05997-000
9	-	Insulation (1 1/2"x49"x65")		010-05998-000	010-05998-000
10	1 qt.	Adhesive (Use with #6)	ALL	013-03311-000	
11	2	Sensor, Water Temperature	ALL	025-29964-000	025-29964-000
12	2	Well, Thermo	ALL	026-33627-000	026-33627-000

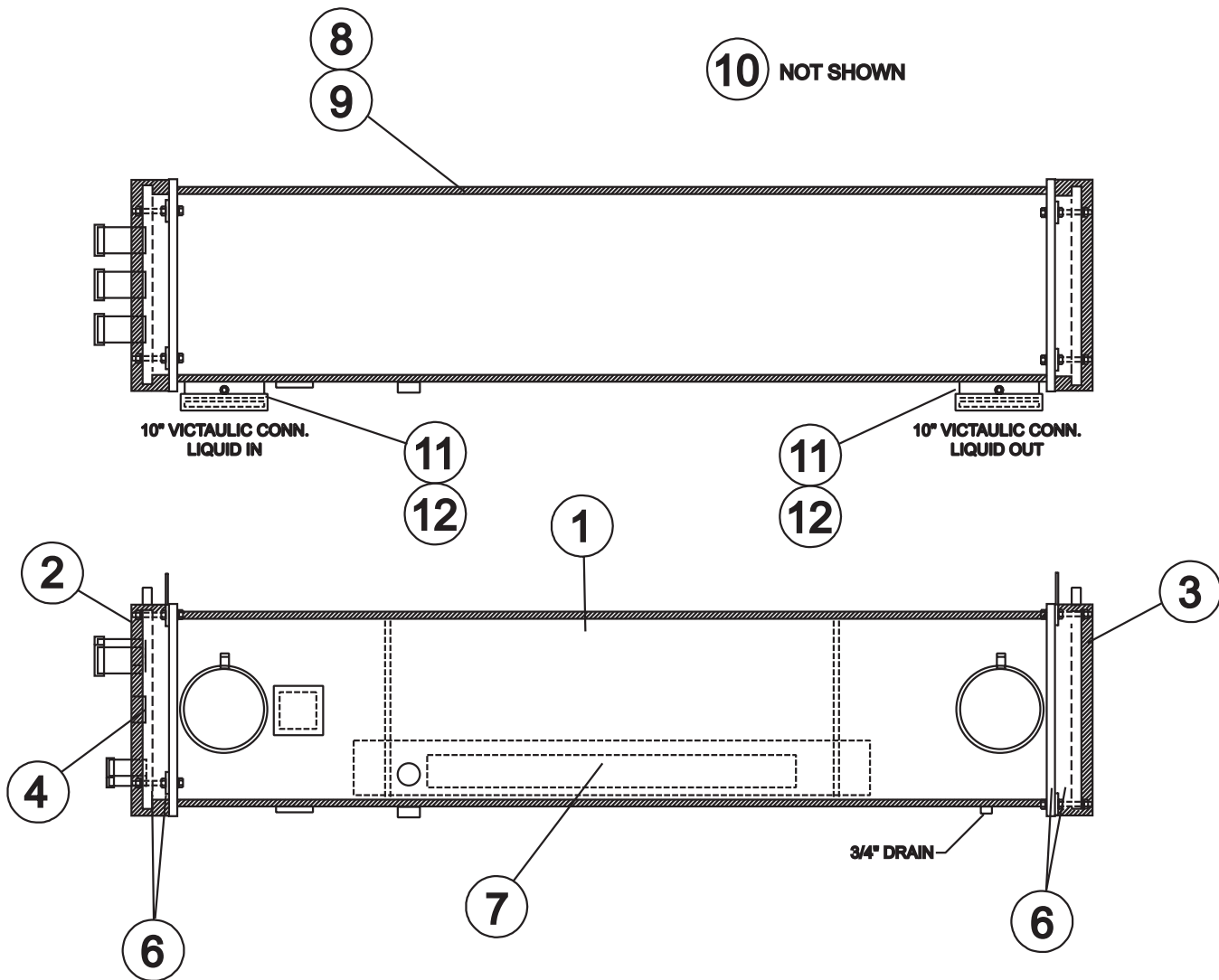
ITEM NUMBER	QTY PER UNIT	DESCRIPTION	DWP	UNIT MODEL YCAS0360 <b>375-47506-001</b>	UNIT MODELS YCAS0400 THRU YCAS0440 <b>375-47506-003</b>
1	1	Evaporator, less Heater & Insulation	ALL	375-47507-000	375-47509-000
2	1	Head, Connection End	ALL	375-47535-000	375-47535-000
3	1	Head, Back End	ALL	375-47536-000	375-47536-000
4	1	Baffle, Connection End	ALL	375-47570-000	375-47573-000
6	4	Gasket, Baffle and Head	ALL	075-49358-000	075-49358-000
7	2	Heater, Cooler 280 Watt	ALL	025-22691-000	025-22691-000
8	-	Insulation (3/4"x49"x65")	ALL	010-05997-000	010-05997-000
9	-	Insulation (1 1/2"x49"x65")		010-05998-000	010-05998-000
10	1 qt.	Adhesive (Use with #6)	ALL	013-03311-000	
11	2	Sensor, Water Temperature	ALL	025-29964-000	025-29964-000
12	2	Well, Thermo	ALL	026-33627-000	026-33627-000

# EVAPORATOR COMPONENTS (CONT'D)

**Service Note:**

*Pin location 38 in Model Number will be "X" for 150# DWP Cooler.*

*Pin location 38 in Model Number will be "3" for 300# DWP Cooler.*



47512-000

**Service Note:**

*Standard 150# DWP Cooler Flow Switch - 024-26116-000*

*Optional 300# DWP Cooler Flow Switch - 024-12144-000*

*Differential Pressure Switch - 025-30919-000*

**FIG. 1A – EVAPORATOR COMPONENTS (REF. TABLE 1A, PAGE 9)**

## EVAPORATOR COMPONENTS (CONT'D)

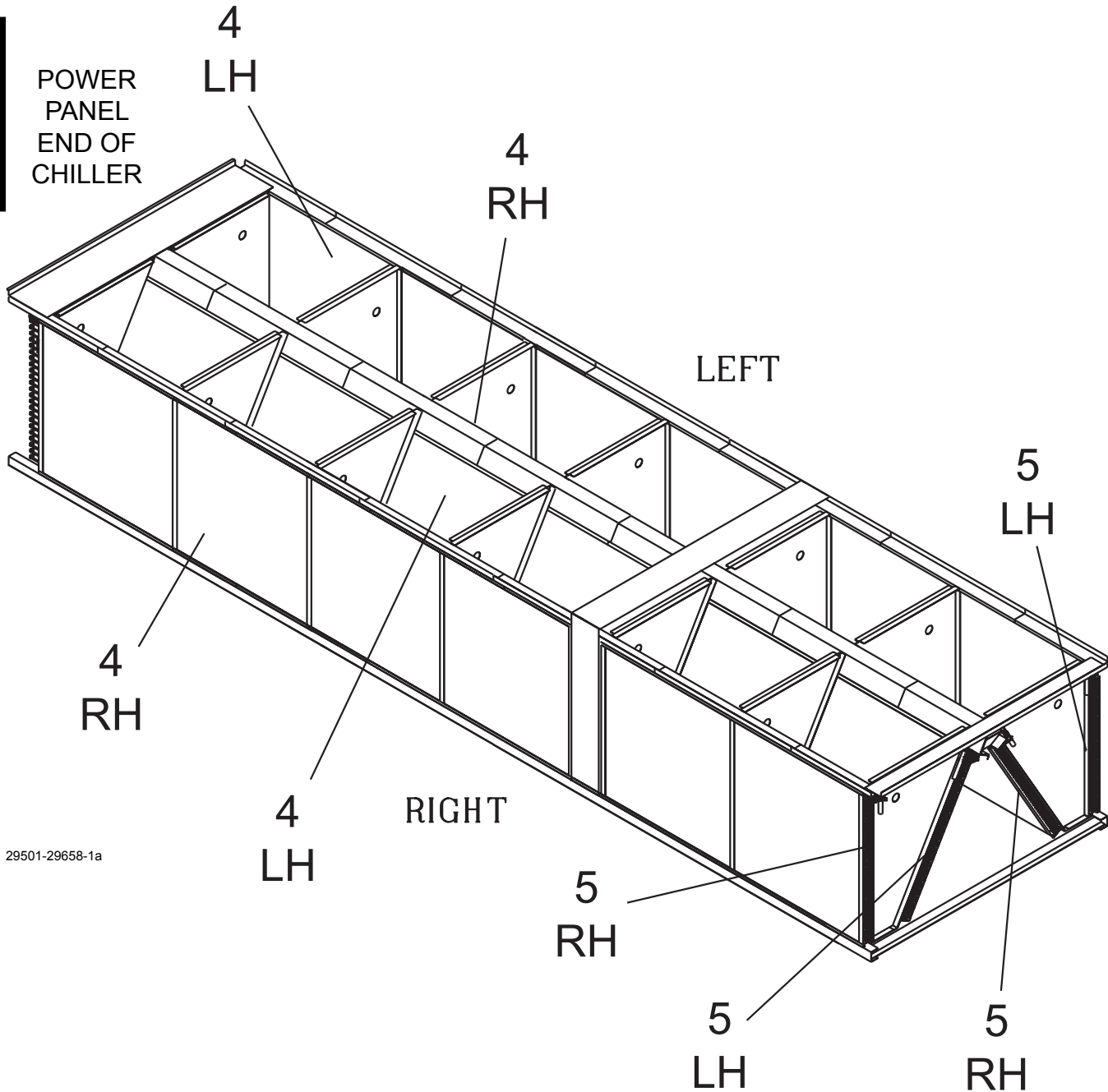
**TABLE 1A – EVAPORATOR COMPONENTS - 300 PSIG (SEE FIG. 1A, PAGE 8)**

ITEM NUMBER	QTY PER UNIT	DESCRIPTION	DWP	UNIT MODELS YCAS0250 AND YCAS0270 <b>375-47512-001</b>	UNIT MODELS YCAS0300 THRU YCAS0360 <b>375-47512-003</b>
1	1	Evaporator, less Heater & Insulation	ALL	375-47533-000	375-47534-000
2	1	Head, Connection End	ALL	375-47537-000	375-47537-000
3	1	Head, Back End	ALL	375-47538-000	375-47538-000
4	1	Baffle	ALL	375-47582-000	375-47589-000
6	4	Gasket, Baffle and Head	ALL	075-49355-000	075-49355-000
7	2	Heater, Cooler 280 Watt	ALL	025-22691-000	025-22691-000
8	-	Insulation (3/4"x49"x65")	ALL	010-05997-000	010-05997-000
9	-	Insulation (1 1/2"x49"x65")		010-05998-000	010-05998-000
10	1 qt.	Adhesive (Use with #6)	ALL	013-03311-000	
11	2	Sensor, Water Temperature	ALL	025-29964-000	025-29964-000
12	2	Well, Thermo	ALL	026-33627-000	026-33627-000

ITEM NUMBER	QTY PER UNIT	DESCRIPTION	DWP	UNIT MODEL YCAS0360 <b>375-47508-001</b>	UNIT MODELS YCAS0400 THRU YCAS0440 <b>375-47508-003</b>
1	1	Evaporator, less Heater & Insulation	ALL	375-47511-000	375-47513-000
2	1	Head, Connection End	ALL	375-47535-000	375-47535-000
3	1	Head, Back End	ALL	375-47536-000	375-47536-000
4	1	Baffle, Connection End	ALL	375-47576-000	375-47577-000
6	8	Gasket, Baffle and Head	ALL	075-49358-000	075-49358-000
7	2	Heater, Cooler 280 Watt	ALL	025-22691-000	025-22691-000
8	-	Insulation (3/4"x49"x65")	ALL	010-05997-000	010-05997-000
9	-	Insulation (1 1/2"x49"x65")		010-05998-000	010-05998-000
10	1 qt.	Adhesive (Use with #6)	ALL	013-03311-000	
11	2	Sensor, Water Temperature	ALL	025-29964-000	025-29964-000
12	2	Well, Thermo	ALL	026-33627-000	026-33627-000

# CONDENSER COIL COMPONENTS

Condenser



**FIG. 2 – CONDENSER COIL COMPONENTS - YCAS0250 & YCAS0270 SHOWN (REF. TABLE 2, PAGES 11 AND 12)**

## CONDENSER COIL COMPONENTS (CONT'D)

**TABLE 2 – CONDENSER COIL COMPONENTS (SEE FIG. 2, PAGE 10)**

ITEM NUMBER	DESCRIPTION	POSITION	QTY	MODELS		
				YCAS0250 & 0270 16' & 8' COILS	YCAS0300 & 0330 20' & 8' COILS	
<b>ALUMINUM FIN COILS</b>						
4	Coil Assembly*	Front	RH	2	375-29501-001	375-25578-001
			LH	2	375-29501-002	375-25578-002
5		Rear	RH	2	375-29658-001	375-29658-001
			LH	2	375-29658-002	375-29658-002
<b>BLACK FIN COILS</b>						
4	Coil Assembly*	Front	RH	2	375-23770-001	375-23771-001
			LH	2	375-23770-002	375-23771-002
5		Rear	RH	2	375-29859-001	375-29859-001
			LH	2	375-29859-002	375-29859-002
<b>PHENOLIC COILS</b>						
4	Coil Assembly*	Front	RH	2	375-29010-001	375-29009-001
			LH	2	375-29010-002	375-29009-002
5		Rear	RH	2	375-29860-001	375-29860-001
			LH	2	375-29860-002	375-29860-002
<b>COPPER COILS</b>						
4	Coil Assembly*	Front	RH	2	375-23776-001	375-23777-001
			LH	2	375-23776-002	375-23777-002
5		Rear	RH	2	375-29861-001	375-29861-001
			LH	2	375-29861-002	375-29861-002

**\*Note:** Coil Assembly includes coil and headers.

**\*Note:** Coils for each circuit are denoted left and right as viewed from the power panel end of chiller.

## CONDENSER COIL COMPONENTS (CONT'D)

TABLE 2 (CONT'D) – CONDENSER COIL COMPONENTS (SEE FIG. 2, PAGE 10)

ITEM NUMBER	DESCRIPTION	POSITION		QTY	MODEL YCAS0360 16' & 16' COILS	MODELS YCAS0400 & 0440 20' & 16' COILS
<b>ALUMINUM FIN COILS</b>						
4	Coil Assembly*	Front	RH	2	375-29501-001	375-25578-001
			LH	2	375-29501-002	375-25578-002
Rear		RH	2	375-29501-001	375-29501-001	
		LH	2	375-29501-002	375-29501-002	
5						
<b>BLACK FIN COILS</b>						
4	Coil Assembly*	Front	RH	2	375-23770-001	375-23771-001
			LH	2	375-23770-002	375-23771-002
Rear		RH	2	375-23770-001	375-23770-001	
		LH	2	375-23770-002	375-23770-002	
5						
<b>PHENOLIC COILS</b>						
4	Coil Assembly*	Front	RH	2	375-29010-001	375-29009-001
			LH	2	375-29010-002	375-29009-002
Rear		RH	2	375-29010-001	375-29010-001	
		LH	2	375-29010-002	375-29010-002	
5						
<b>COPPER COILS</b>						
4	Coil Assembly*	Front	RH	2	375-23776-001	375-23777-001
			LH	2	375-23776-002	375-23777-002
Rear		RH	2	375-23776-001	375-23776-001	
		LH	2	375-23776-002	375-23776-002	
5						

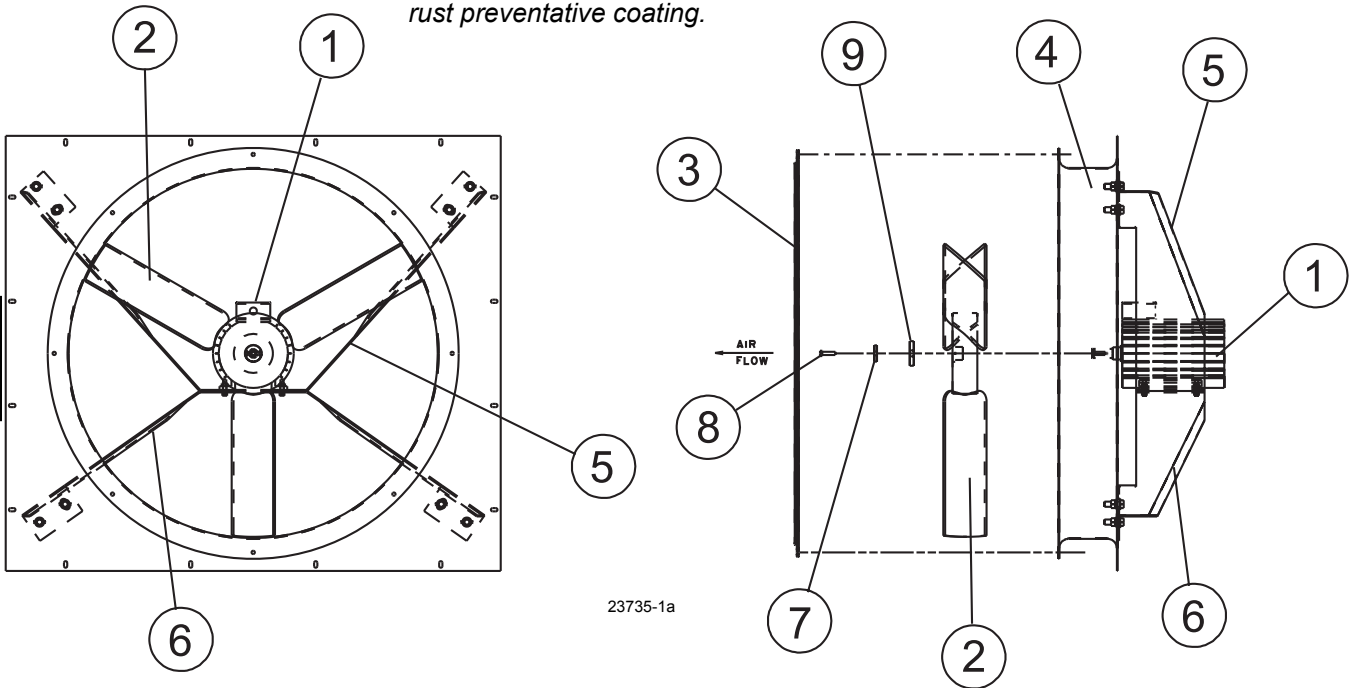
\*Note: Coil Assembly includes coil and headers.

\*Note: Coils for each circuit are denoted left and right as viewed from the power panel end of chiller.

*This page intentionally left blank*

# FAN COMPONENTS

**Service Note:**  
 Fan Hub to Shaft Joint should be sealed with protective coating - use RUST VETO 344 - a solvent type, rust preventative coating.



**Service Note:** Pin Location 52 in Model Number will be "X" for Standard Fan, or "L" for Low Noise Fan. See page 4.

FIG. 3 – FAN COMPONENTS

TABLE 3 – FAN COMPONENTS

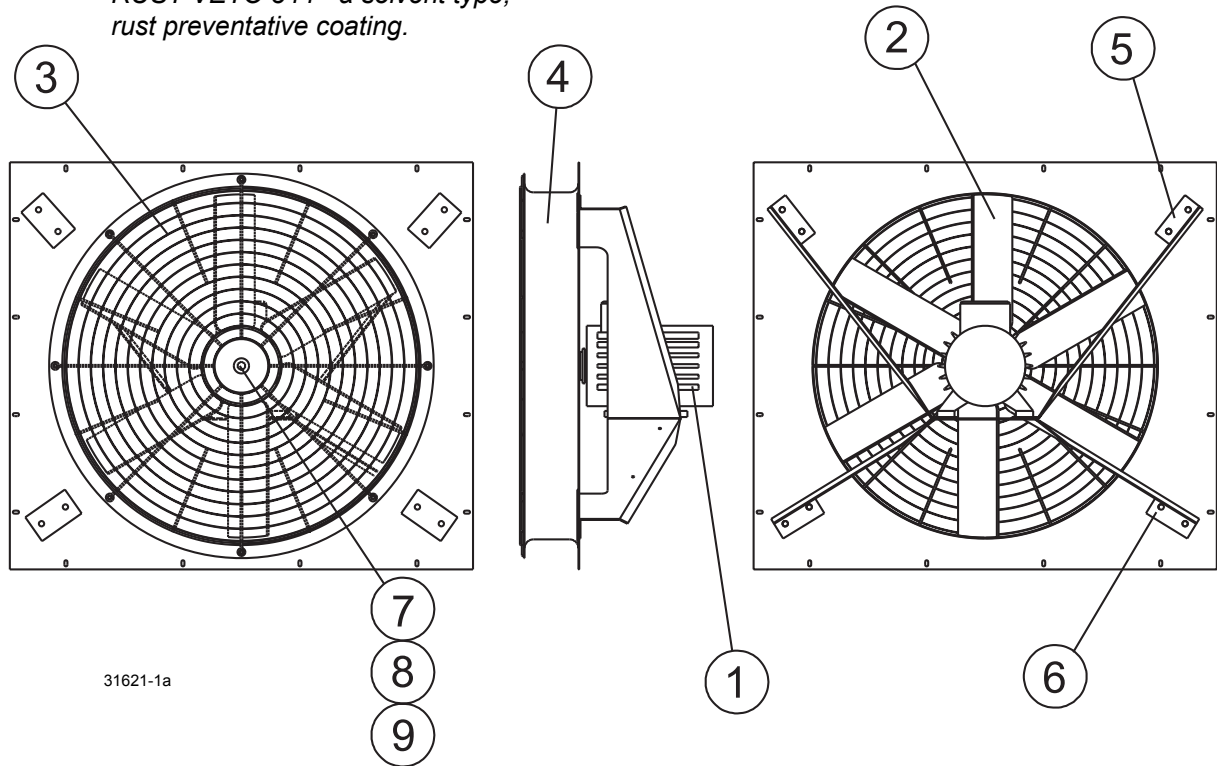
ITEM NUMBER	DESCRIPTION	VOLTAGE CODE	FAN TYPE	
			STANDARD 7/8", 1160 RPM	LOW NOISE 7/8", 850 RPM
1 <sup>s</sup>	Motor, Fan 2 HP (YCAS0250-YCAS0440)	-40	024-30900-004	024-30933-004
		-46	024-30900-001	024-30933-001
		-58	024-30900-003	024-30933-003
2 <sup>s</sup>	Blade (900mm)	All	026-41594-000	026-41596-000
3	Guard	All	026-35605-000	
4	Orifice	All	026-36141-000	
5	Support, Inner	All	075-25584-000	
6	Support, Outer	All	075-25583-000	
7	Spacer (.375 I.D.)	All	075-29007-000	
8	Screw, Cap (M8x125)	All	021-18494-000	
9	Spacer (1.406 I.D.)	All	075-40484-000	

<sup>s</sup> = Recommended Spare Parts

# FAN COMPONENTS

**Service Note:**

*Fan Hub to Shaft Joint should be sealed with protective coating - use RUST VETO 344 - a solvent type, rust preventative coating.*



31621-1a

**Service Note:** Pin Location 52 in Model Number will be "H" for High Static Fan. See page 4.

**FIG. 3a – FAN COMPONENTS**

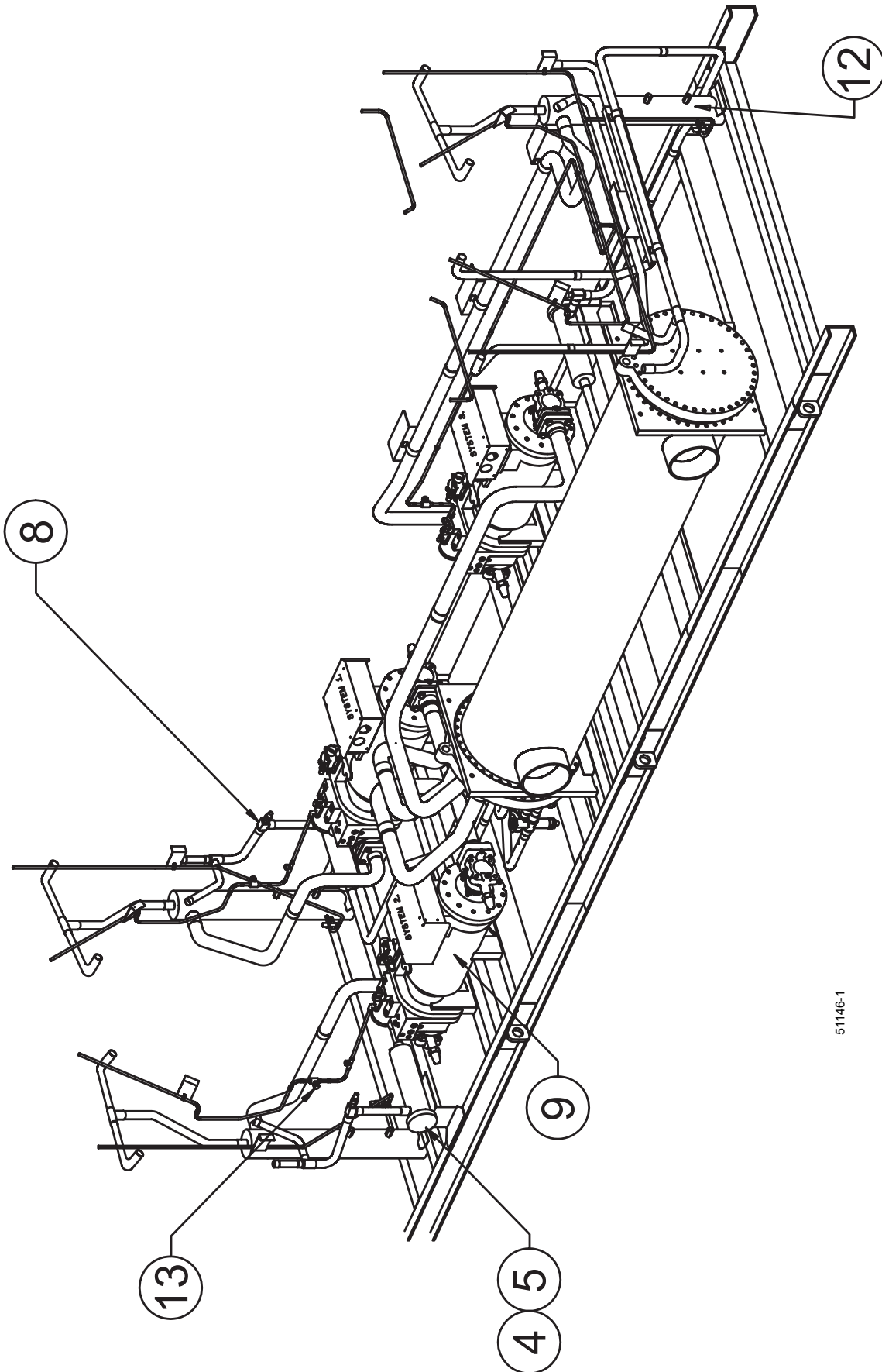
**TABLE 3a – FAN COMPONENTS**

ITEM NUMBER	DESCRIPTION	VOLTAGE CODE	FAN TYPE
			HIGH STATIC 7/8", 1160 RPM
1 <sup>S</sup>	Motor, Fan 5 HP (YCAS0250-YCAS0440)	-40	024-24604-001
		-46	024-24604-001
		-58	024-24758-000
2 <sup>S</sup>	Blade	All	026-41598-000
3	Guard	All	026-35605-000
4	Orifice	All	026-36141-000
5	Support, Upper Right	All	075-31614-000
	Support, Upper Left		075-31615-000
6	Support, Lower	All	075-31616-000
7	Spacer (.531 I.D.)	All	075-29007-001
8	Screw, Cap (M8x125)	All	021-18019-000
9	Spacer (1.406 I.D.)	All	075-40486-000

<sup>S</sup> = Recommended Spare Parts

# REFRIGERANT PIPING COMPONENTS

## CHILLER MODEL YCAS 3 COMPRESSOR

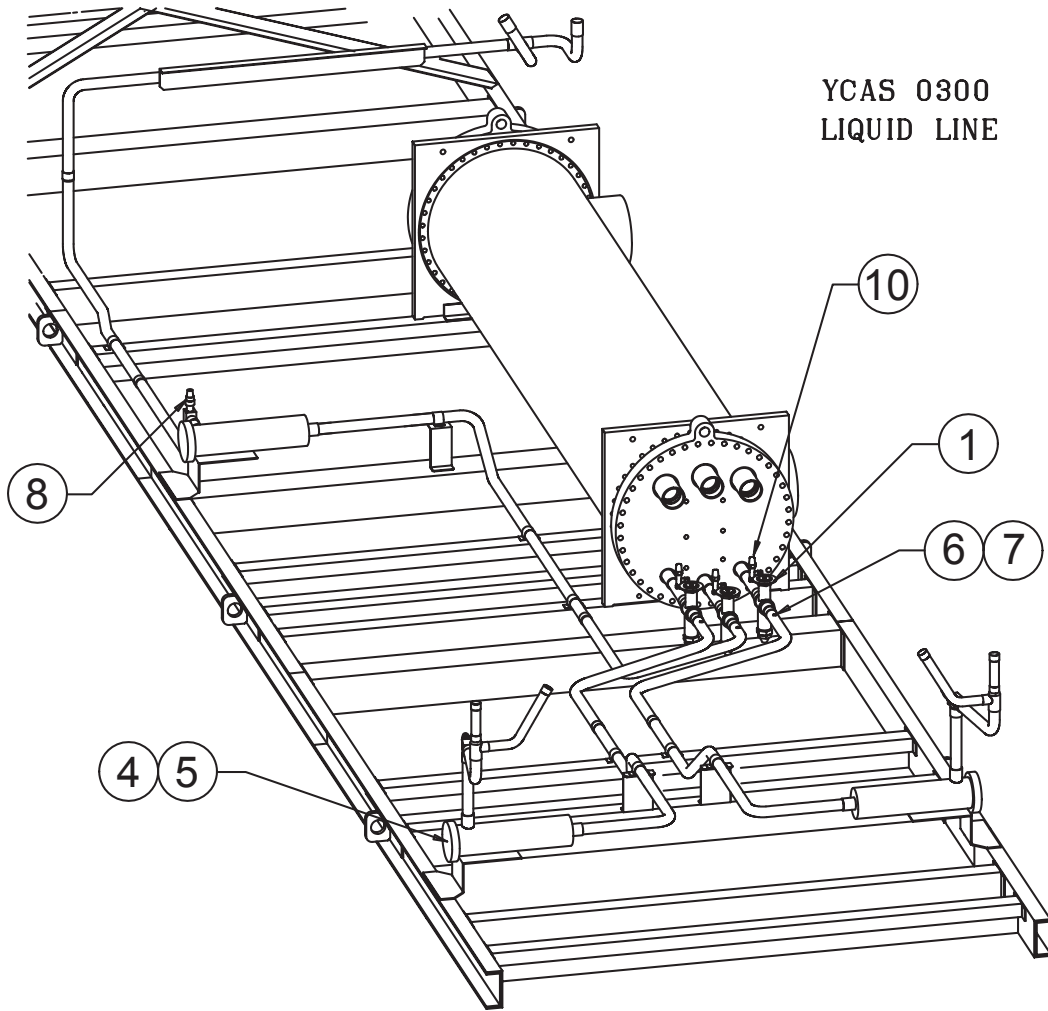


Piping

FIG. 4 – 3 COMPRESSOR PIPING COMPONENTS - MODEL YCAS0250 SHOWN (REF. TABLE 4, PAGE 18)

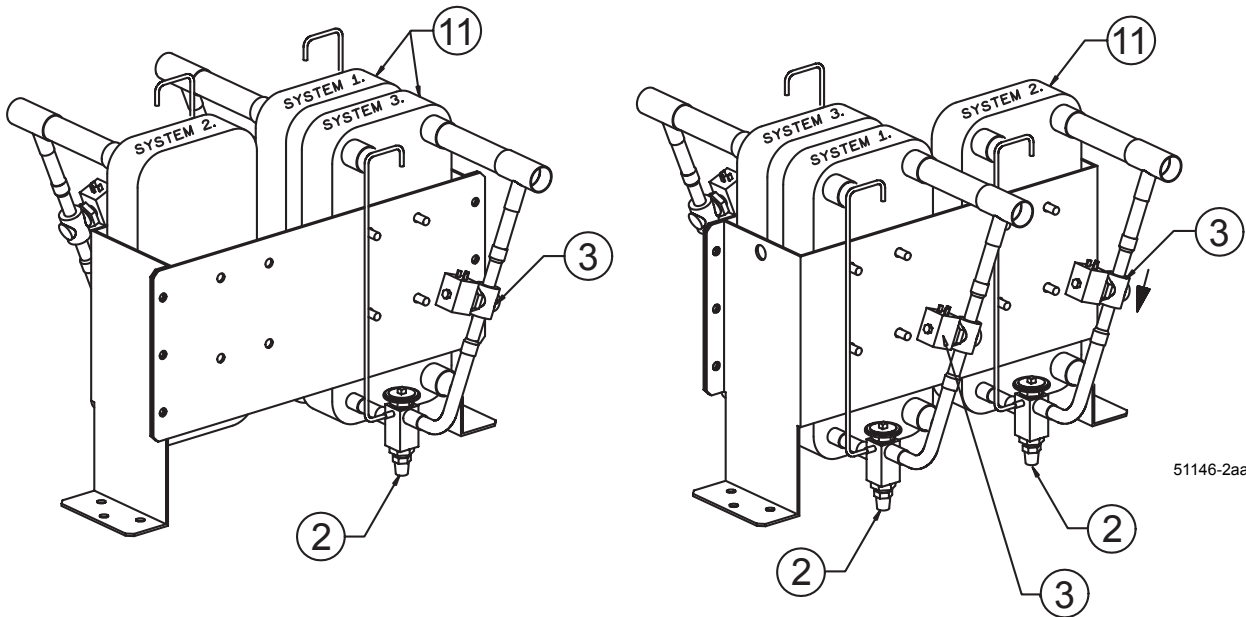
# REFRIGERANT PIPING COMPONENTS (CONT'D)

## CHILLER MODEL YCAS 3 COMPRESSOR



51146-4c

Piping



51146-2aa

ECONOMIZER SUB-ASSEMBLY

FIG. 4a – 3 COMPRESSOR PIPING COMPONENTS (REF. TABLE 4, PAGE 18)

## REFRIGERANT PIPING COMPONENTS (CONT'D)

### CHILLER MODEL YCAS 3 COMPRESSOR

**TABLE 4 – 3 COMPRESSOR PIPING COMPONENTS**  
(SEE FIGS. 4 AND 4A, PAGES 16 AND 17)

ITEM NO.	QTY PER UNIT	DESCRIPTION	SYSTEM	YCAS0250 375-51146-xxx	YCAS0270 375-51147-xxx
1 <sup>S</sup>	3	Valve, Electronic Expansion	All	025-37857-000	025-37857-000
2	1	Valve, Thermal Expansion - Economizer	Sys 3	N/A	025-33280-000
3	1	Valve, Solenoid - Economizer	Sys 3	N/A	025-33282-000
4	2	Dehydrator, Body (Replaceable Core)	Sys 1&2	026-21055-000	026-21055-000
	1	Dehydrator, Body (Replaceable Core)	Sys 3	026-21055-000	026-16960-000
5 <sup>S</sup>	9*	Core, Dehydrator	All	026-37540-000	026-37540-000
6	2	Moisture Indicator, Body	Sys 1&2	026-37545-000	026-37545-000
	1		Sys 3	026-37545-000	026-32399-000
7	3	Moisture Indicator, Sight Glass Cap	All	026-37548-000	026-37548-000
8	2	Valve, Liquid Stop	Sys 1&2	022-09778-000	022-09778-000
	1		Sys 3	022-09778-000	022-09779-000
9	3	Compressor	All	See pages 25 and 26	
10	6	Valve, Charging	All	022-09754-000	022-09754-000
11	1	Economizer, Heat Exchanger	Sys 3	N/A	026-34418-000
12	2	Oil Separator	Sys 1&3	075-46145-002	
	1	Oil Separator	Sys 2	075-46145-001	
13	3	Valve, Ball (Oil Line)	All	022-09172-000	022-09172-000

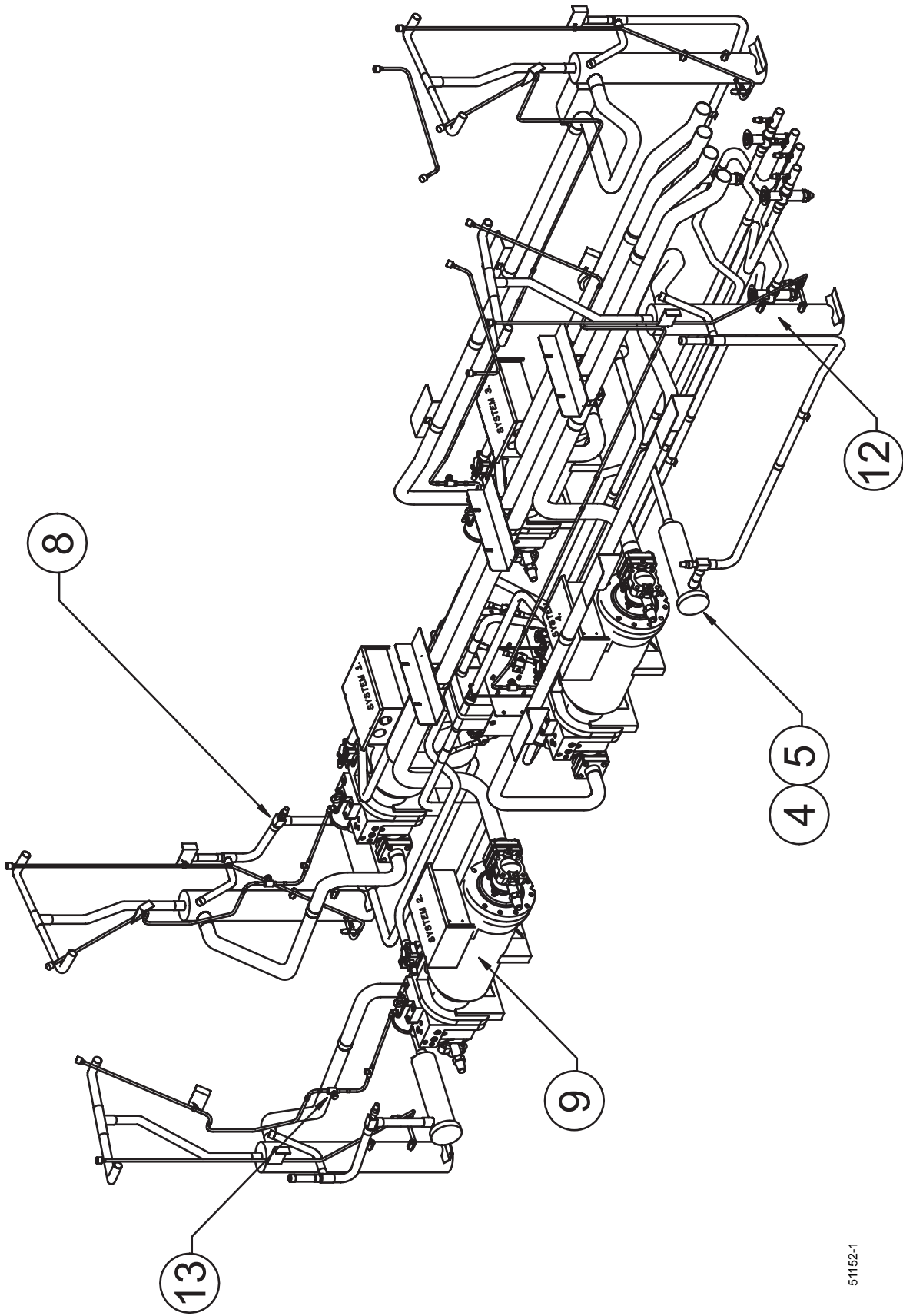
\* YCAS0250 Qty. of 7, YCAS0270 Qty. of 9

ITEM NO.	QTY PER UNIT	DESCRIPTION	SYSTEM	YCAS0300 375-51148-xxx	YCAS0330 375-51149-xxx
1 <sup>S</sup>	3	Valve, Electronic Expansion	All	025-37857-000	025-37857-000
2	3	Valve, Thermal Expansion - Economizer	All	N/A	025-33280-000
3	3	Valve, Solenoid - Economizer	All	N/A	025-33282-000
4	3	Dehydrator, Body (Replacable Core)	All	026-16960-000	026-16960-000
5 <sup>S</sup>	9	Core, Dehydrator	All	026-37540-000	026-37540-000
6	3	Moisture Indicator, Body	All	026-37546-000	026-37546-000
7	3	Moisture Indicator, Sight Glass Cap	All	026-37548-000	026-37548-000
8	3	Valve, Liquid Stop	All	022-09779-000	022-09779-000
9	3	Compressor	All	See pages 25 and 26	
10	6	Valve, Charging	All	022-09754-000	022-09754-000
11	3	Economizer, Heat Exchanger	All	N/A	026-34418-000
12	2	Oil Separator	Sys 1&3	075-46145-002	
	1	Oil Separator	Sys 2	075-46145-001	
13	3	Valve, Ball (Oil Line)	All	022-09172-000	022-09172-000

<sup>S</sup> = Recommended Spare Parts

# REFRIGERANT PIPING COMPONENTS (CONT'D)

## CHILLER MODEL YCAS 4 COMPRESSOR



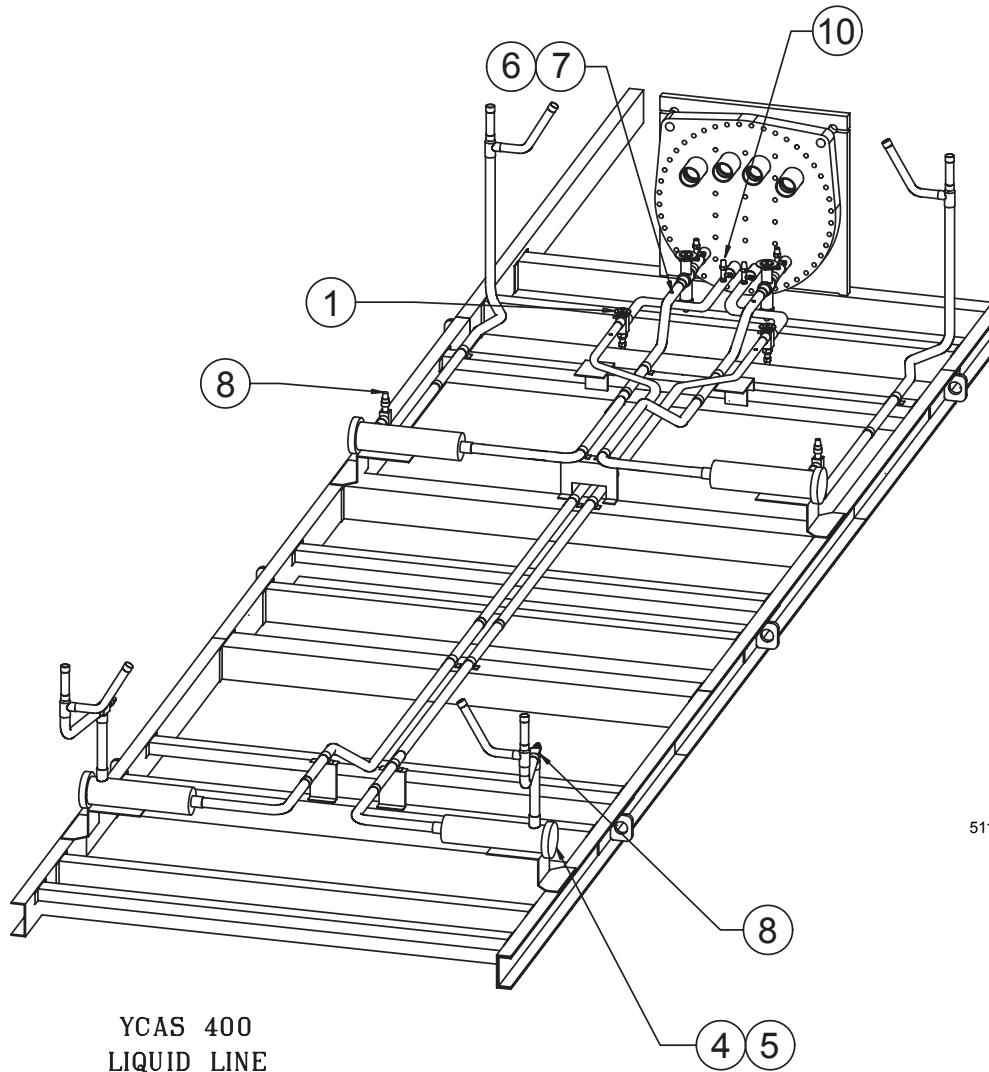
51152-1

19 FIG. 5 – 4 COMPRESSOR PIPING COMPONENTS - MODEL YCAS0360 SHOWN (REF. TABLE 5, PAGE 21)

Piping

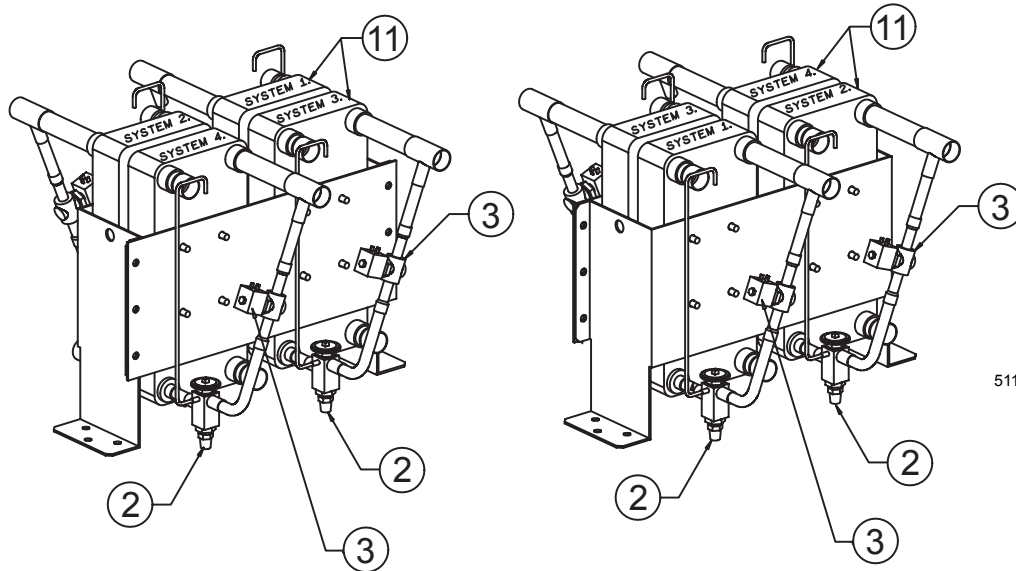
# REFRIGERANT PIPING COMPONENTS (CONT'D)

## CHILLER MODEL YCAS 4 COMPRESSOR



51152-4b

YCAS 400  
LIQUID LINE



51152-2aa

ECONOMIZER SUB-ASSEMBLY

FIG. 5a – 4 COMPRESSOR PIPING COMPONENTS (REF. TABLE 5, PAGE 21)

## REFRIGERANT PIPING COMPONENTS (CONT'D)

### CHILLER MODEL YCAS 4 COMPRESSOR

**TABLE 5 – 4 COMPRESSOR PIPING COMPONENTS**  
(SEE FIGS. 5 AND 5A, PAGES 19 AND 20)

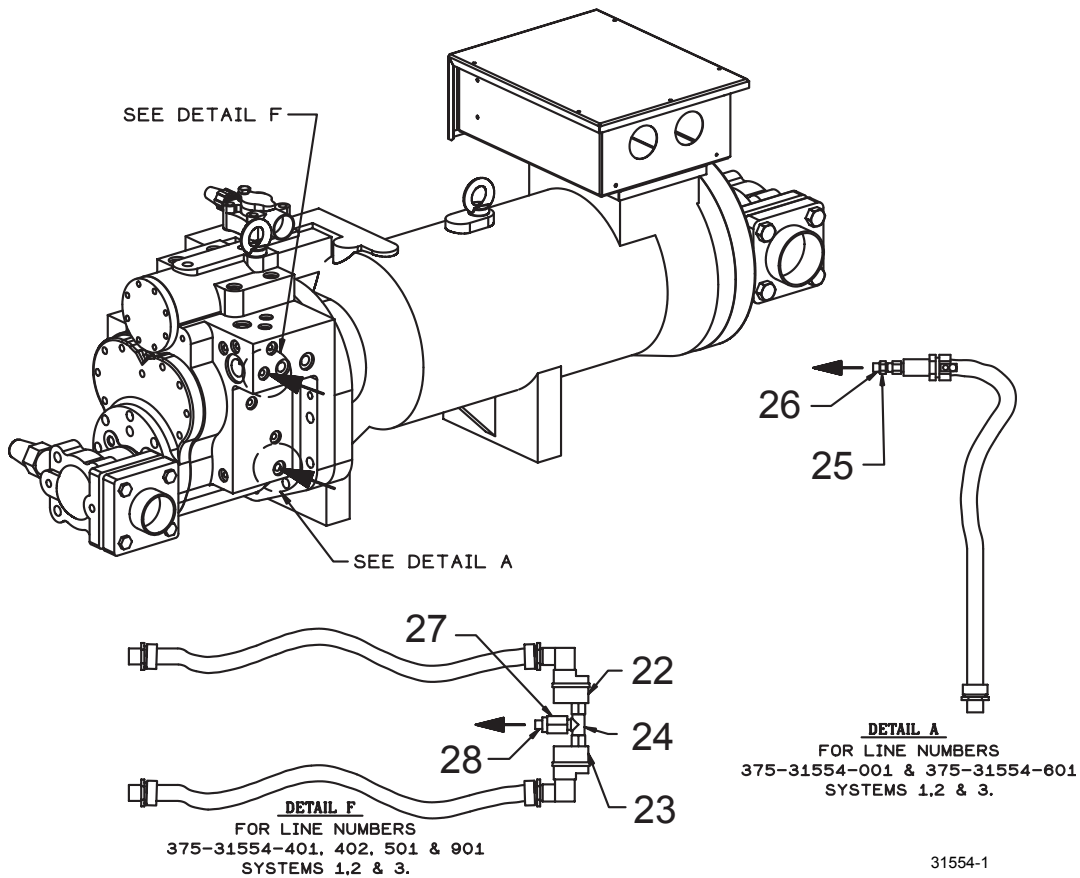
ITEM NO.	QTY PER UNIT	DESCRIPTION	SYSTEM	YCAS0360 375-51150-xxx	YCAS0400 375-51151-xxx
1 <sup>S</sup>	4	Valve, Electronic Expansion	All	025-37857-000	025-37857-000
2	-	Valve, Thermal Expansion - Economizer	N/A	N/A	N/A
3	-	Valve, Solenoid - Economizer	N/A	N/A	N/A
4	2	Dehydrator, Body (Replacable Core)	Sys 1&2	026-16960-000	026-16960-000
	2		Sys 3&4	026-21055-000	026-16960-000
5 <sup>S</sup>	*	Core, Dehydrator	All	026-37540-000	026-37540-000
6	2	Moisture Indicator, Body	Sys 1&2	026-37546-000	026-37546-000
	2		Sys 3&4	026-32398-000	026-37546-000
7	4	Moisture Indicator, Sight Glass Cap	All	026-37548-000	026-37548-000
8	2	Valve, Liquid Stop	Sys 1&2	022-09779-000	022-09779-000
	2		Sys 3&4	022-09778-000	022-09779-000
9	4	Compressor	All	See pages 25 and 26	
10	8	Valve, Charging	All	022-09754-000	022-09754-000
11	-	Economizer, Heat Exchanger	N/A	N/A	N/A
12	2	Oil Separator	Sys 1&3	075-46145-002	
	2	Oil Separator	Sys 2&4	075-46145-001	
13	4	Valve, Ball (Oil Line)	All	022-09172-000	022-09172-000

\* YCAS0360 Qty. of 10, YCAS0400 Qty. of 12

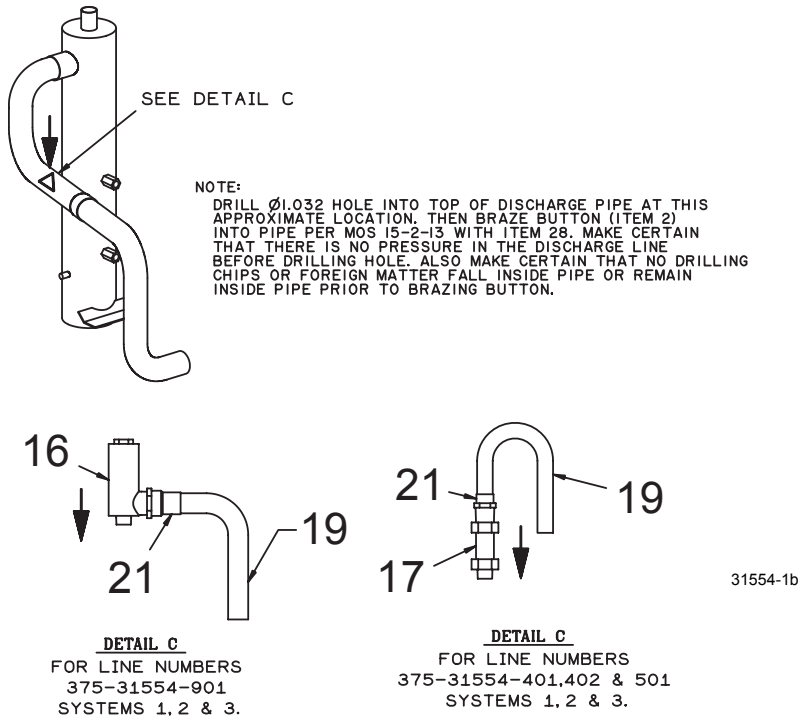
ITEM NO.	QTY PER UNIT	DESCRIPTION	SYSTEM	YCAS0440 375-51152-xxx
1 <sup>S</sup>	4	Valve, Electronic Expansion	All	025-37857-000
2	4	Valve, Thermal Expansion - Economizer	All	025-33280-000
3	4	Valve, Solenoid - Economizer	All	025-33282-000
4	4	Dehydrator, Body (Replacable Core)	All	026-16960-000
5 <sup>S</sup>	12	Core, Dehydrator	All	026-37540-000
6	4	Moisture Indicator, Body	All	026-37546-000
7	4	Moisture Indicator, Sight Glass Cap	All	026-37548-000
8	4	Valve, Liquid Stop	All	022-09779-000
9	4	Compressor	All	See pages 25 and 26
10	8	Valve, Charging	All	022-09754-000
11	4	Economizer, Heat Exchanger	All	026-34418-000
12	2	Oil Separator	Sys 1&3	075-46145-002
	2	Oil Separator	Sys 2&4	075-46145-001
13	4	Valve, Ball (Oil Line)	All	022-09172-000

<sup>S</sup> = Recommended Spare Parts

# RELIEF VALVES AND CUTOUT SWITCHES CHILLER MODEL YCAS



## HIGH PRESSURE CUT-OUT SWITCH

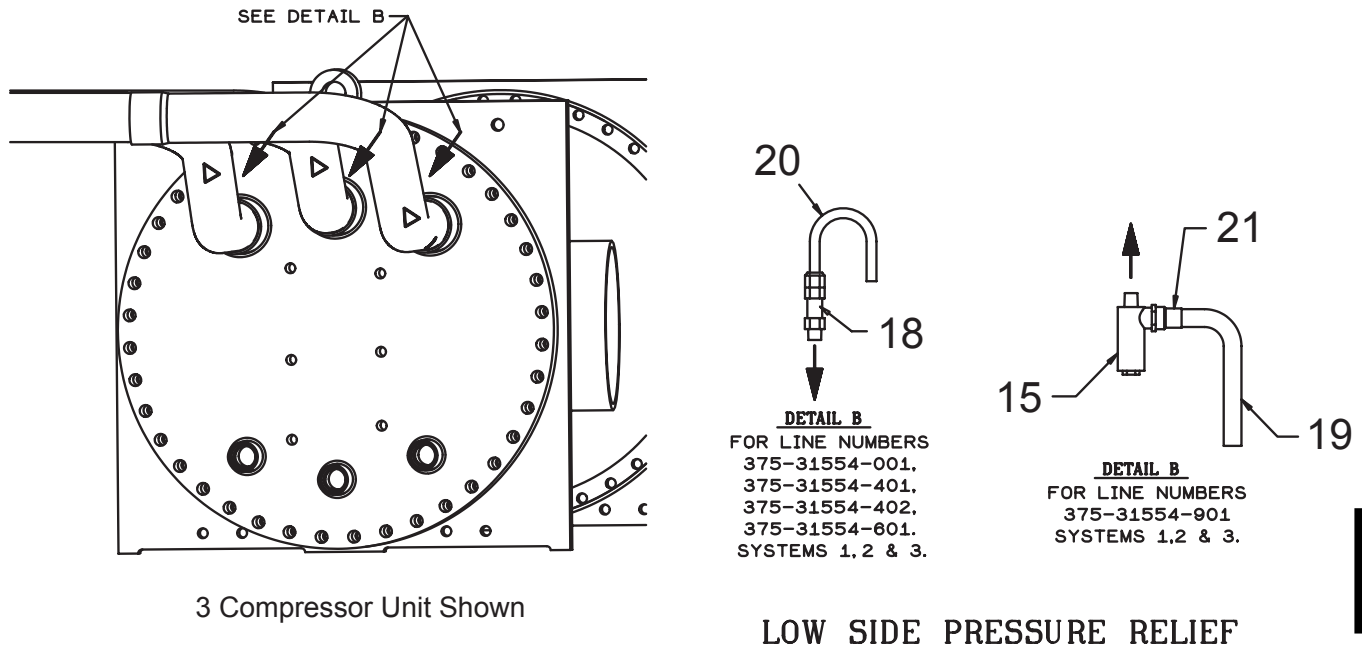


## HIGH SIDE PRESSURE RELIEF

FIG. 6 – RELIEF VALVES AND CUTOUT SWITCHES (REF. TABLE 6, PAGE 23)

Piping

# RELIEF VALVES AND CUTOUT SWITCHES (CONT'D)



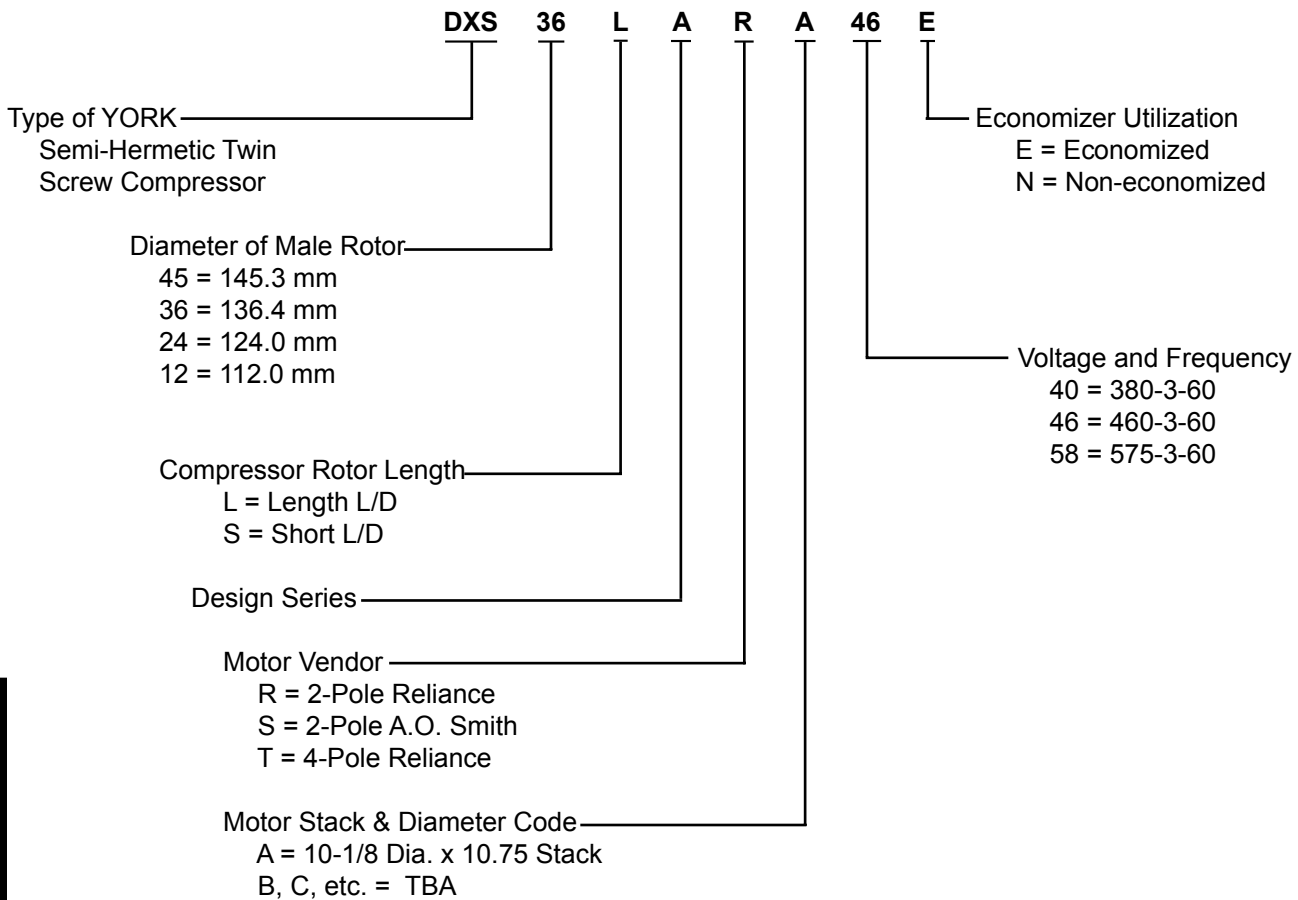
31554-1a

**FIG. 6a** – RELIEF VALVES AND CUTOUT SWITCHES (REF. TABLE 6, PAGE 23)

**TABLE 6** – RELIEF VALVES AND CUTOUT SWITCHES (SEE FIGS. 6 AND 6A, PAGES 22 & 23)

ITEM NO.	QTY PER UNIT	DESCRIPTION	SYSTEM	ALL MODELS
15	*	Low Side Relief, Angle V-21 Bar	All	022-09793-000
16	*	High Side Relief, Angle V-31 Bar	All	022-09794-000
17	*	High Side Relief, Straight Thru 405 psig	All	022-08863-000
18	*	Low Side Relief, Straight Thru 300 psig	All	022-10045-000
19	*	Tube for 15 & 16	All	075-30992-000
		Tube for 17	All	075-30993-000
20	*	Tube for 18	All	375-30919-000
21	*	Adapter for 15	All	023-00094-000
		Adapter for 16	All	023-00094-000
		Adapter for 17	All	023-00124-000
22	*	High Press Sw, Man Reset 27.9 Bar	All	025-34119-000
23	*	High Press Sw, Man Reset 27.2 Bar	All	025-34120-000
24	*	Tee for 22 & 23	All	023-00972-000
25	*	High Press Sw, Auto Reset 405 psig	All	025-30840-000
26	*	O-ring, 3-904	All	028-13540-000
27	*	Adapter	All	023-18092-000
28	*	Seal	All	028-13640-000

# COMPRESSOR MODEL NOMENCLATURE



Compressor

COMPRESSOR WEIGHTS		
MM SIZE	WEIGHT (LBS.)*	WEIGHT (Kg.)
145	1310	594
136	1250	567

**\*Note:** Less Service Valves.

**Service Note:**  
Compressor Isolator Pad Kit  
**475-37845-000** one per compressor.

**Service Note:**  
Compressor feet hold-down bolts, tightened from the underside of the frame rails must be removed when the isolator pad kit is installed.

# COMPRESSOR

**TABLE 7 – COMPRESSOR PART NUMBERS - YCAS0250-YCAS0330**

MODEL	VOLTAGE CODE	SYSTEM #1 COMPRESSOR				SYSTEM #2 COMPRESSOR			
		PART #	MODEL #	MM	QTY	PART #	MODEL #	MM	QTY
YCAS0250	-40	364-49093-214	DXS36LA	136	1	364-49093-214	DXS36LA	136	1
	-46	364-49093-215	DXS36LA	136	1	364-49093-215	DXS36LA	136	1
	-58	364-49093-216	DXS36LA	136	1	364-49093-216	DXS36LA	136	1
YCAS0270	-40	364-49093-214	DXS36LA	136	1	364-49093-214	DXS36LA	136	1
	-46	364-49093-215	DXS36LA	136	1	364-49093-215	DXS36LA	136	1
	-58	364-49093-216	DXS36LA	136	1	364-49093-216	DXS36LA	136	1
YCAS0300	-40	364-49094-214	DXS45LA	145	1	364-49094-214	DXS45LA	145	1
	-46	364-49094-215	DXS45LA	145	1	364-49094-215	DXS45LA	145	1
	-58	364-49094-216	DXS45LA	145	1	364-49094-216	DXS45LA	145	1
YCAS0330	-40	364-49094-214	DXS45LA	145	1	364-49094-214	DXS45LA	145	1
	-46	364-49094-215	DXS45LA	145	1	364-49094-215	DXS45LA	145	1
	-58	364-49094-216	DXS45LA	145	1	364-49094-216	DXS45LA	145	1

MODEL	VOLTAGE CODE	SYSTEM #3 COMPRESSOR				SYSTEM #4 COMPRESSOR			
		PART #	MODEL #	MM	QTY	PART #	MODEL #	MM	QTY
YCAS0250	-40	364-49093-214	DXS36LA	136	1	N/A			
	-46	364-49093-215	DXS36LA	136	1	N/A			
	-58	364-49093-216	DXS36LA	136	1	N/A			
YCAS0270	-40	364-49094-214	DXS45LA	145	1	N/A			
	-46	364-49094-215	DXS45LA	145	1	N/A			
	-58	364-49094-216	DXS45LA	145	1	N/A			
YCAS0300	-40	364-49094-214	DXS45LA	145	1	N/A			
	-46	364-49094-215	DXS45LA	145	1	N/A			
	-58	364-49094-216	DXS45LA	145	1	N/A			
YCAS0330	-40	364-49094-214	DXS45LA	145	1	N/A			
	-46	364-49094-215	DXS45LA	145	1	N/A			
	-58	364-49094-216	DXS45LA	145	1	N/A			

**Compressor**

**Service Note:** Compressor Change Out Kit - ALL Models - 464-49737-000 (Includes Gaskets and O-rings)

## COMPRESSOR (CONT'D)

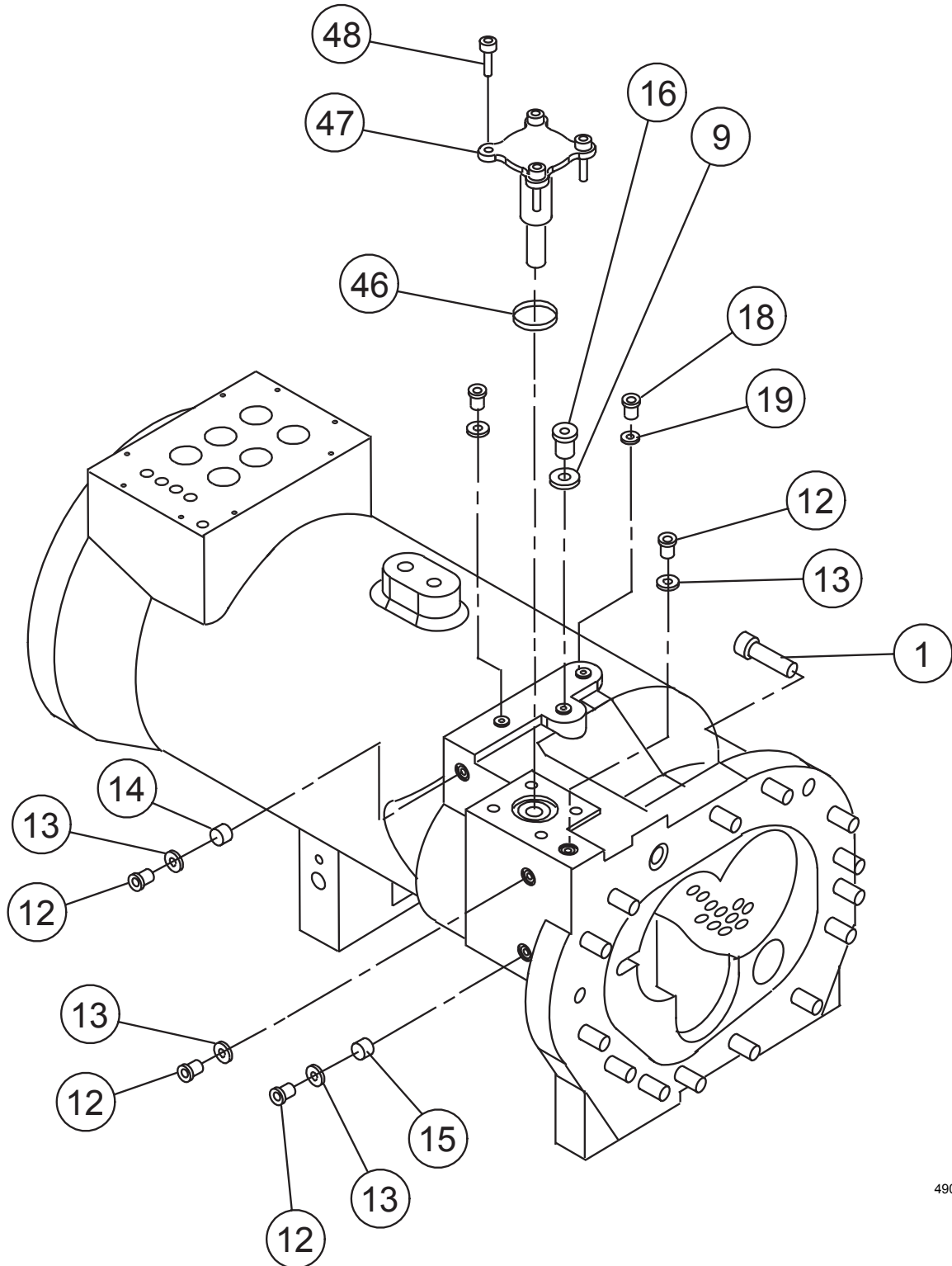
**TABLE 7 – COMPRESSOR PART NUMBERS - YCAS0360-YCAS0440**

MODEL	VOLTAGE CODE	SYSTEM #1 COMPRESSOR				SYSTEM #2 COMPRESSOR			
		PART #	MODEL #	MM	QTY	PART #	MODEL #	MM	QTY
YCAS0360	-40	364-49094-214	DXS45LA	145	1	364-49094-214	DXS45LA	145	1
	-46	364-49094-215	DXS45LA	145	1	364-49094-215	DXS45LA	145	1
	-58	364-49094-216	DXS45LA	145	1	364-49094-216	DXS45LA	145	1
YCAS0400	-40	364-49094-214	DXS45LA	145	1	364-49094-214	DXS45LA	145	1
	-46	364-49094-215	DXS45LA	145	1	364-49094-215	DXS45LA	145	1
	-58	364-49094-216	DXS45LA	145	1	364-49094-216	DXS45LA	145	1
YCAS0440	-40	364-49094-214	DXS45LA	145	1	364-49094-214	DXS45LA	145	1
	-46	364-49094-215	DXS45LA	145	1	364-49094-215	DXS45LA	145	1
	-58	364-49094-216	DXS45LA	145	1	364-49094-216	DXS45LA	145	1

MODEL	VOLTAGE CODE	SYSTEM #3 COMPRESSOR				SYSTEM #4 COMPRESSOR			
		PART #	MODEL #	MM	QTY	PART #	MODEL #	MM	QTY
YCAS0360	-40	364-49093-214	DXS36LA	136	1	364-49093-214	DXS36LA	136	1
	-46	364-49093-215	DXS36LA	136	1	364-49093-215	DXS36LA	136	1
	-58	364-49093-216	DXS36LA	136	1	364-49093-216	DXS36LA	136	1
YCAS0400	-40	364-49094-214	DXS45LA	145	1	364-49094-214	DXS45LA	145	1
	-46	364-49094-215	DXS45LA	145	1	364-49094-215	DXS45LA	145	1
	-58	364-49094-216	DXS45LA	145	1	364-49094-216	DXS45LA	145	1
YCAS0440	-40	364-49094-214	DXS45LA	145	1	364-49094-214	DXS45LA	145	1
	-46	364-49094-215	DXS45LA	145	1	364-49094-215	DXS45LA	145	1
	-58	364-49094-216	DXS45LA	145	1	364-49094-216	DXS45LA	145	1

**Service Note:** Compressor Change Out Kit - ALL Models - 464-49737-000 (Includes Gaskets and O-rings)

# COMPRESSOR (CONT'D)

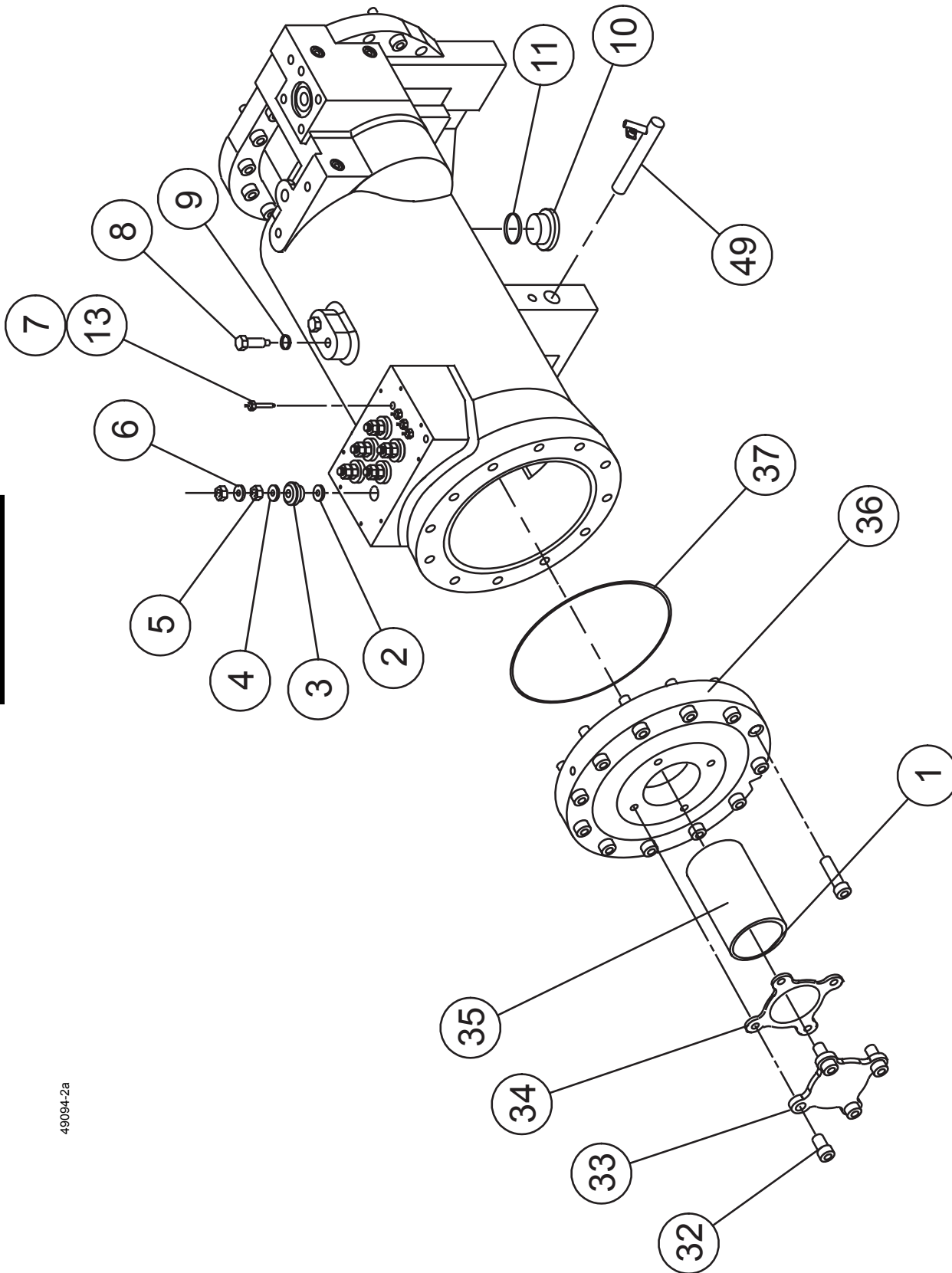


Compressor

49094-3a

**FIG. 7 – 136MM & 145MM DXS COMPRESSOR COMPONENTS  
PARTIAL EXPLODED VIEW (REF. TABLE 8, PAGES 30 AND 31)**

# COMPRESSOR (CONT'D)



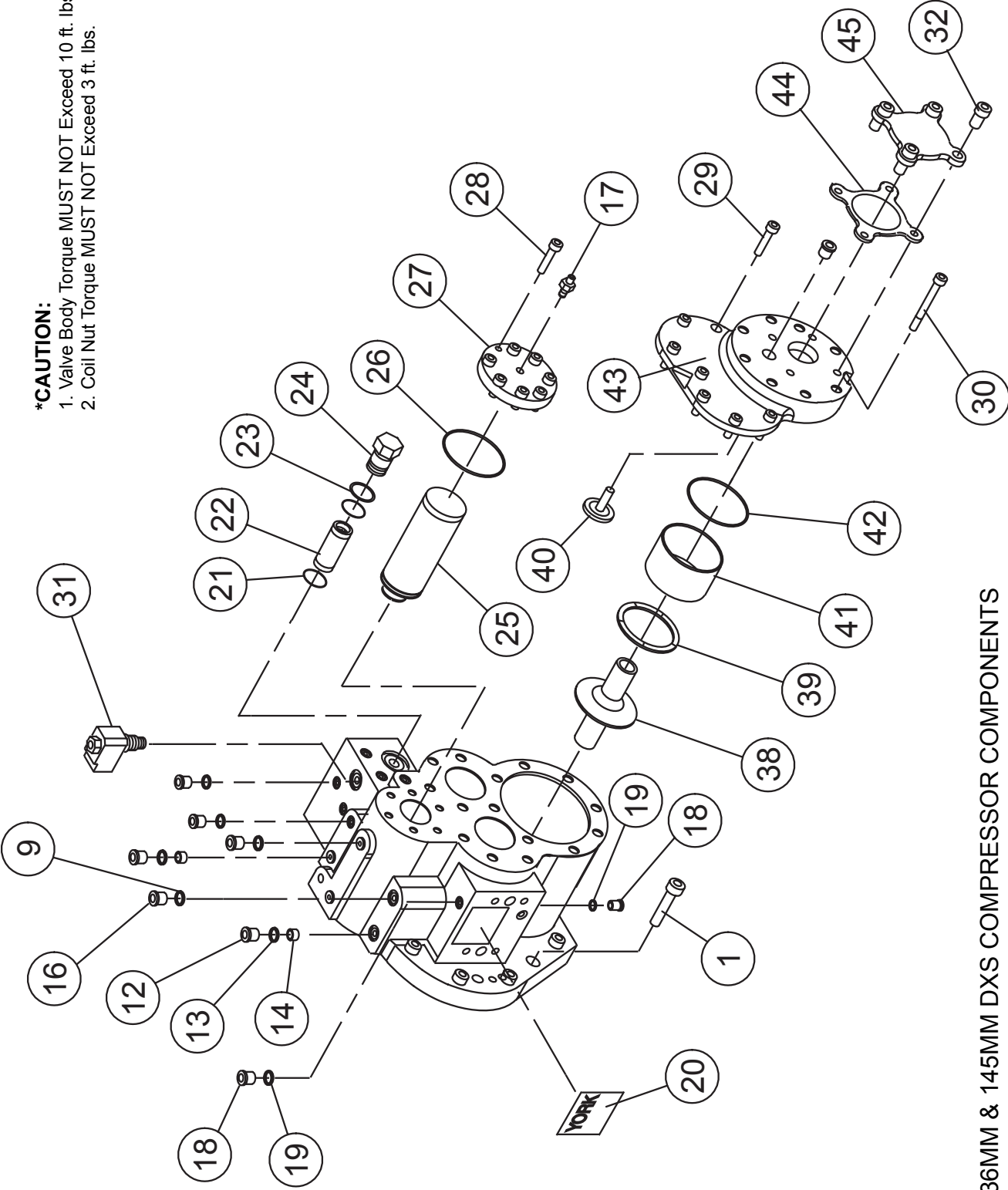
Compressor

**FIG. 7a** – 136MM & 145MM DXS COMPRESSOR COMPONENTS  
PARTIAL EXPLODED VIEW (REF. TABLE 8, PAGES 30 AND 31)

49094-2a

# COMPRESSOR (CONT'D)

**\*CAUTION:**  
 1. Valve Body Torque **MUST NOT** Exceed 10 ft. lbs.  
 2. Coil Nut Torque **MUST NOT** Exceed 3 ft. lbs.



**FIG. 7b** – 136MM & 145MM DXS COMPRESSOR COMPONENTS  
 PARTIAL EXPLODED VIEW (REF. TABLE 8, PAGES 30 AND 31)

49094-1a

## COMPRESSOR (CONT'D)

**TABLE 8 – COMPRESSOR COMPONENTS (SEE FIGS. 7, 7A AND 7B, PAGES 27-29)**

ITEM NO.	PART DESCRIPTION	PART NO. (Qty.)
1	SCREW, SOCKET HD. CAP - M16 X 65MM LONG	021-19108-000 (26)
2	SEAL, TERMINAL	028-13946-000 (6)
3	INSULATOR, TOP	025-33201-000 (6)
4	WASHER, TERMINAL	021-19117-000 (6)
5	NUT, HEAVY HEX - 7/16" X 20UNF	021-19102-000 (12)
6	WASHER, LOCK - 7/16"	021-19619-000 (6)
7	THERMISTOR, 7/16" X 20UNF-2A	025-33202-000 (4)
8	PIN, STATOR LOCKING	064-49954-000
9	O-RING 3 - 908	028-13856-000 (4)
10	PLUG, HOLLOW HEX - 1 7/8"	023-18926-000
11	O-RING 3 - 924	028-13865-000
12	PLUG, HOLLOW HEX - 9/16"	023-18922-000 (8)
13	O-RING - 906	028-13855-000 (8)
14	PLUG - 0.032 ORIFICE	029-22716-000 (3)
15	PLUG - 0.093 ORIFICE	029-22994-000 (2)
16	PLUG, HOLLOW HEX - 3/4"	023-18923-000 (7)
17	VALVE, ACCESS 7/16"	022-09715-000
18	PLUG, HOLLOW HEX - 7/16"	023-18921-000 (15)
19	O-RING 3 - 904	028-13854-000 (9)
20	PLATE, DATA	029-22722-000
21	O-RING 2- 023	028-13859-000 (2)
22	VALVE, OIL CONTROL	022-09710-000
23	O-RING 3 - 916	028-13857-000
24	PLUG, OIL RETURN VALVE	064-49135-000
25 <sup>S</sup>	ELEMENT, OIL FILTER	026-35601-000
26 <sup>S</sup>	O-RING 2 - 152	028-13849-000
27	COVER, OIL FILTER	064-49003-000
28	SCREW, SOCKET HD. CAP - M8 X 30MM LONG	021-19115-000 (8)
29	SCREW, SOCKET HD. CAP - M10 X 45MM LONG	021-19112-000 (9)
30	SCREW, SOCKET HD. CAP - M10 X 60MM LONG	021-19113-000 (8)
31 <sup>S</sup>	VALVE, CAPACITY CONTROL	025-33205-000
32	SCREW, SOCKET HD. CAP - M16 X 30MM LONG	021-19118-000 (8)
33	PLATE, VALVE COVER (136MM & 145MM)	064-49009-000
34	GASKET, 3 1/2" (136MM & 145MM)	028-13864-000

<sup>S</sup> = Recommended Spare Parts

## COMPRESSOR (CONT'D)

**TABLE 8 CONT'D** – COMPRESSOR COMPONENTS (SEE FIGS. 7, 7A AND 7B, PAGES 27-29)

ITEM NO.	PART DESCRIPTION	PART NO. (Qty.)
35	STRAINER, SUCTION (136MM & 145MM)	026-35600-000
36	COVER, SUCTION (136MM & 145MM)	064-49198-000
37	O-RING 2 - 276	028-13852-000 (2)
38	ORIFICE, MUFFLER (136MM & 145MM)	064-49516-000
39	SPRING, MUFFLER PRELOAD (136MM & 145MM)	029-22904-000
40	BUTTON, CHECK VALVE (136MM)	064-49517-000
	BUTTON, CHECK VALVE (145MM)	064-49504-000
41	SPACER, MUFFLER (136MM & 145MM)	064-49513-000
42	O-RING 2 -161 (136MM & 145MM)	028-13851-000
43	COVER, DISCHARGE (136MM)	064-48990-000
	COVER, DISCHARGE (145MM)	064-49005-000
44	GASKET, 3" (136MM & 145MM)	028-13863-000
45	PLATE, VALVE COVER (136MM & 145MM)	064-49008-000
46	O-RING 2 - 139 (136MM & 145MM)	028-13963-000
47	PLUG, ECONOMIZER (136MM & 145MM)	064-50003-000
48	SCREW, SOCKET HD. CAP - M12 X 25MM LONG	021-30148-000
49	HEATER, 350 WATTS	025-32938-000

Compressor

ITEM	REF.	DESCRIPTION	5 GALLON
OILS <sup>S</sup>	R-22	Oil, Type 'L' (Synthetic)	011-00592-000
	R-407C		

<sup>S</sup> = Recommended Spare Parts

## COMPRESSOR (CONT'D)

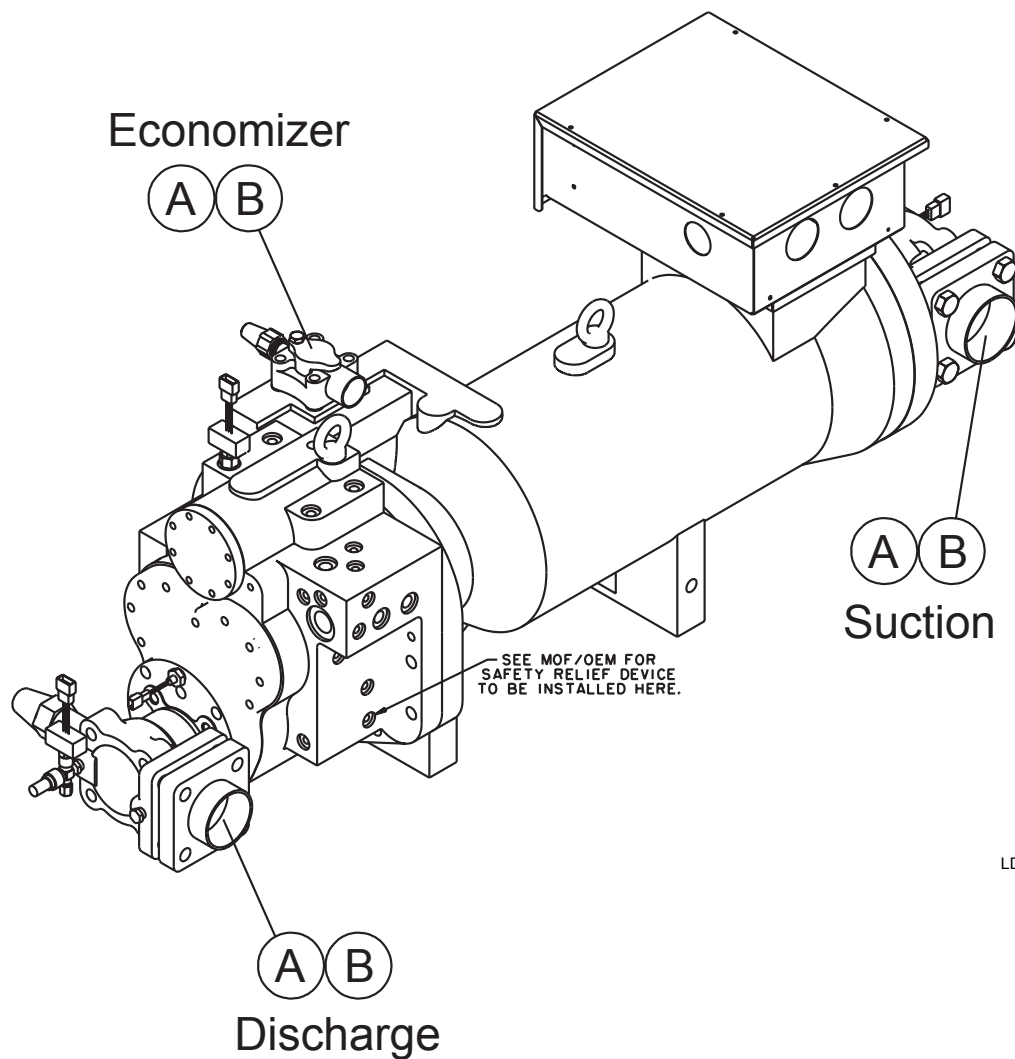


FIG. 8 – COMPRESSOR AND CONTROL COMPONENTS (REF. TABLE 9)

TABLE 9 – COMPRESSOR STOP VALVES AND GASKETS (SEE FIG. 8)

COMPRESSOR	LOCATION	DESCRIPTION	VALVE (A)	GASKET (B)
136MM	Suction	Stop Valve - 3 5/8"	022-02845-001	028-13864-000
	Discharge	Stop Valve - 2 5/8"	022-09777-001	028-13863-000
	Economizer	Stop Valve - 1 3/8"	022-03727-002	028-13862-000
145MM	Suction	Stop Valve - 3 5/8"	022-02845-001	028-13864-000
	Discharge	Stop Valve - 2 5/8"	022-09777-001	028-13863-000
	Economizer	Stop Valve - 1 3/8"	022-03727-002	028-13862-000

*This page intentionally left blank*



## CONTROL PANEL COMPONENTS (CONT'D)

**TABLE 10 – CONTROL PANEL COMPONENTS (SEE FIG. 9, PAGE 34)**

ITEM NO.	QTY	DESCRIPTION	PART NUMBER
1 <sup>s</sup>	1	Micro Board	031-01095-002
2	1	Power Supply Board	031-01094-000
3 <sup>s</sup>	2	Relay Control Board	031-01093-000
4	1	Transformer, 2T	025-27911-000
5	1	Terminal Block	025-33760-000
6	1	Terminal Block	025-33761-000
7	3	Circuit Breaker, 6A (Not Shown)	024-30913-000
8	1	Transformer, 3T	025-18452-000
9	1	On/Off Switch	024-25517-000
10	1	Display	031-01110-000
11	1	Ribbon Cable Assembly	071-02253-251
12	4	Ribbon Cable Assembly	071-02253-252
13	1	Ribbon Cable Assembly	071-02253-253
14	1	Transformer, 4T	025-30889-000
15	1	Control Relay	024-25598-000
16 <sup>s</sup>	1	EPROM (Use w/ Micro Board)	031-01798-002
17	1	I/O Expansion Board	031-01788-000
18	1	Ribbon Cable Assembly	071-02253-254
19	1	Keypad (English)	024-30910-000
20	1	SMART I/O Expansion Board	031-01793-001
21	1	EPROM (Use w/ SMART I/O Expansion Board)	031-02018-001
22	2	EEV Board	031-02092-999
23	3	Transformer CL-2 (3 Compressor Units)	025-37679-000
	4	Transformer CL-2 (4 Compressor Units)	
24	1	Temperature Reset Kit (Optional)	371-02590-102
25	1	Current Reset Kit (Optional)	371-02590-101
26	1	Micro-Gateway Power Supply Board (Optional)	031-02043-000
27	1	Micro-Gateway Board (Optional)	031-02039-000

<sup>s</sup> = Recommended Spare Parts

# OPTION AND POWER PANEL CONFIGURATIONS

Power panels and option panels are offered in several different configurations using three (3) major components:

1. TERMINAL BLOCKS
2. CIRCUIT BREAKERS
3. NON-FUSED DISCONNECT SWITCHES

The most basic chiller power wiring configuration uses TERMINAL BLOCKS in the power panels, and an options panel with no power wire termination hardware. See figures on previous page. The model pin number locations 16 and 17 would be X and X to reflect this basic combination. Identify model pin number locations 16 and 17 to identify the chiller power wiring connections and hardware listed below.

PIN 16 & 17 LETTER CODE IDENTIFIERS		OPTION PANEL AND POWER PANEL CONFIGURATIONS
X	X	Multiple Point Supply Terminal Block (Standard)
M	B	Multiple Point Supply Circuit Breakers
M	D	Multiple Point Supply Non-Fused Disconnect Switches
M	N	Multiple Point Supply Disconnect Switches Fused DIN
S	B	Single Point Supply Terminal Block w/ Separate System Circuit Breakers
D	B	Single Point Supply Non-Fused Disconnect Switch w/ Separate System Circuit Breakers
D	P	Multiple Point Supply Non-Fused Disconnect Switches w/ Separate System Circuit Breakers
S	N	Single Point Supply Terminal Block w/ Separate System Disconnect Switches Fused DIN
D	N	Single Point Supply Non-Fused Disconnect Switches w/ Separate System Disconnect Switches Fused DIN

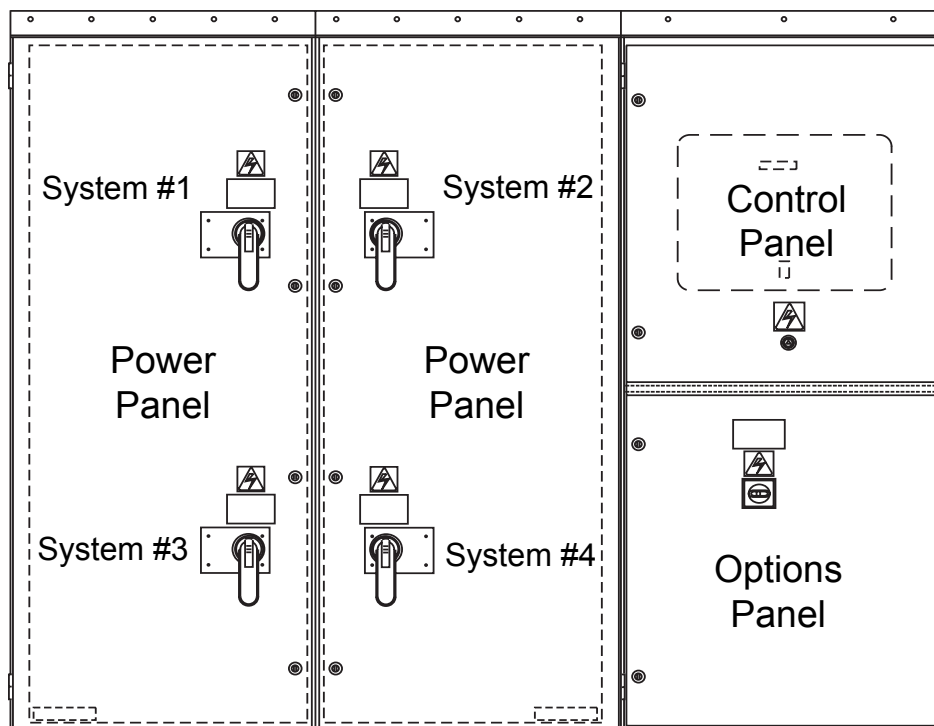
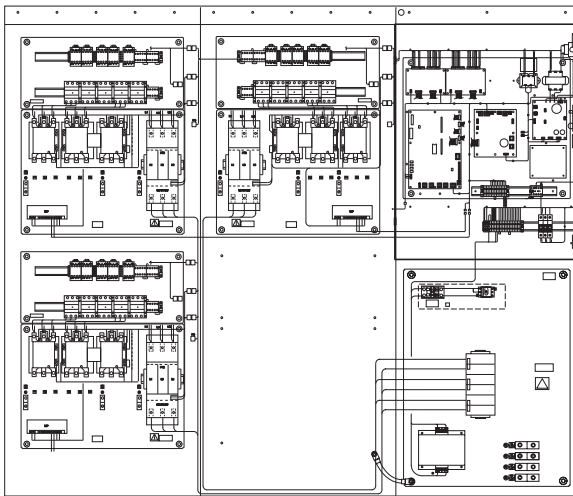
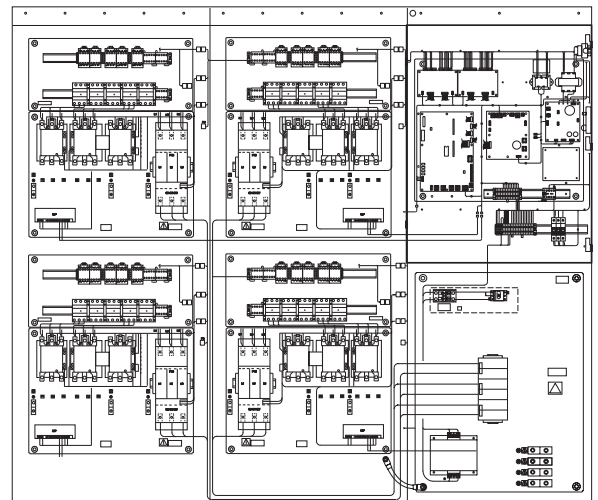


FIG. 10 – CONTROL, OPTIONS AND POWER PANELS LAYOUT

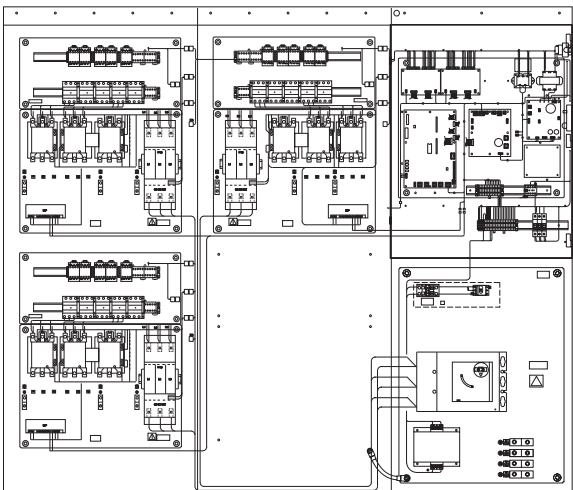
# OPTION AND POWER PANEL CONFIGURATIONS (CONT'D)



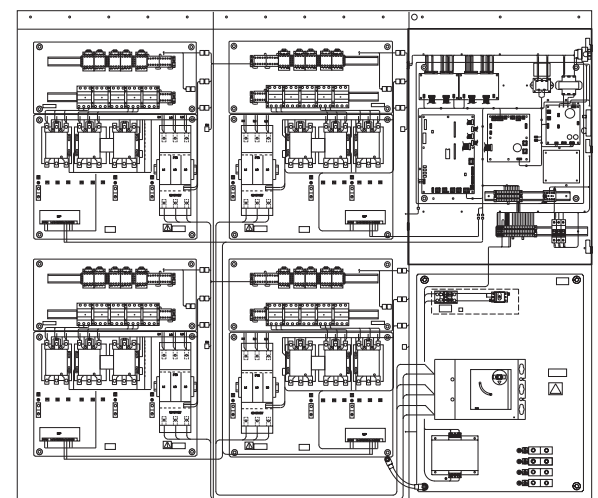
201812-1 (3Comp)



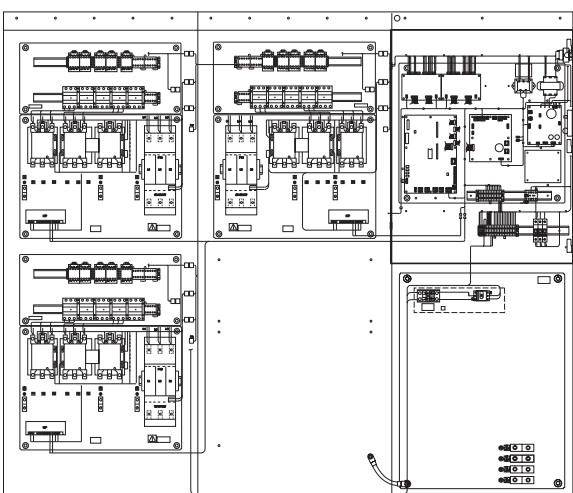
201812-1 (4Comp)



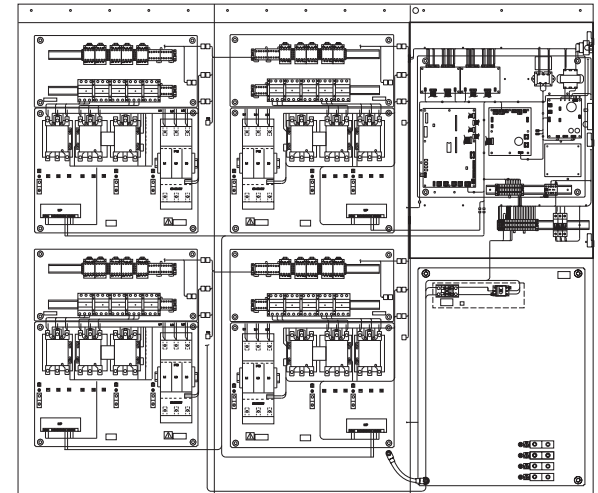
201812-2 (3Comp)



201812-2 (4Comp)



201812-3 (3Comp)



201812-3 (4Comp)

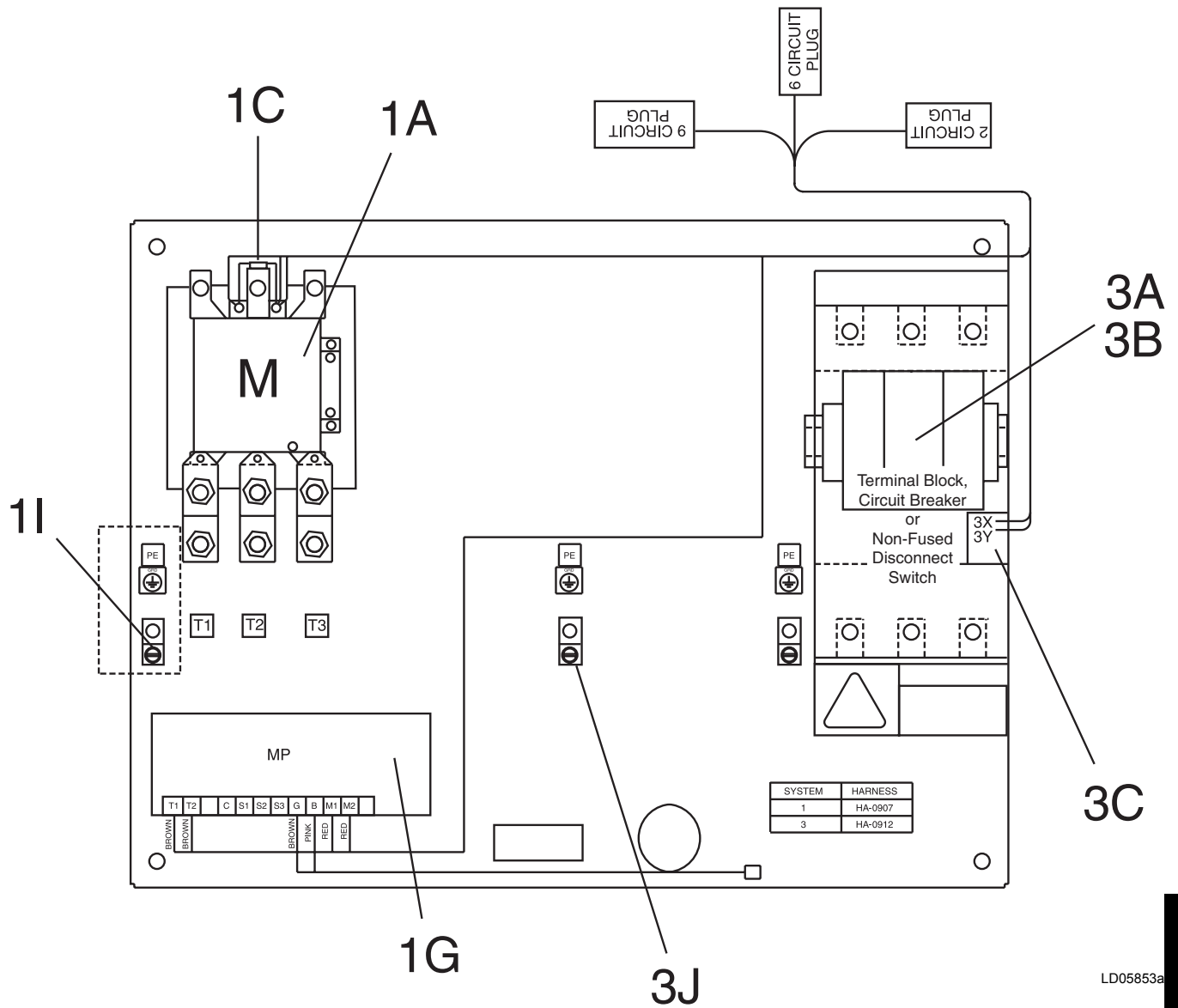
**FIG. 11 – EXAMPLES OF POWER WIRING CONFIGURATIONS (3 AND 4 COMPRESSOR UNITS)**

# POWER PANEL COMPONENTS

## CIRCUIT BREAKER AND NON-FUSED DISCONNECT SWITCH LUG KITS TABLE

Circuit Breakers		Wire Size	YORK Lug Kit Part Number
<b>024-31852-000</b>	S3H035TW	#14AWG-#2 AWG	025-34477-000
<b>024-31837-000</b>	S3H040TW		
<b>024-31838-000</b>	S3H050TW		
<b>024-31839-000</b>	S3H060TW		
<b>024-31840-000</b>	S3H070TW	#14AWG-#1/0 AWG	025-34478-000
<b>024-31841-000</b>	S3H080TW		
<b>024-31842-000</b>	S3H090TW		
<b>024-31843-000</b>	S3H100TW		
<b>024-31844-000</b>	S3H125TW	(1) 2-4/0 AWG	025-34479-000
<b>024-31649-000</b>	S3H150TW		
<b>024-31820-000</b>	S3H175TW	#14AWG-300KCMIL AWG	025-34480-000
<b>024-31851-000</b>	S3H200TW		
<b>024-31819-000</b>	S3H225TW		
<b>025-34419-000</b>	S4H250BW	#6AWG-350KCMIL AWG	025-34418-000
<b>024-34424-000</b>	S5H400BW	(1) 250-500KCMIL AWG	025-34481-000
<b>024-34425-000</b>	S6H600BW	(2) 250KCMIL AWG	025-34414-000
<b>024-34473-000</b>	S6H800BW	(2) 250KCMIL AWG	025-34414-000
Non-Fused Disconnect Switch		Wire Size	YORK Part Number
<b>024-31888-000</b>	S3H150DW	(1) 2-4/0 AWG	025-34479-000
<b>024-31871-000</b>	S3B225DW	#14AWG-300KCMIL AWG	025-34480-000
<b>024-30963-000</b>	S4H250DW	#6AWG-350KCMIL AWG	025-34418-000
<b>024-30964-000</b>	S5H400DW	(1) 250-500KCMIL AWG	025-34481-000
<b>024-30965-000</b>	S6H600DW	(2) 250KCMIL AWG	025-34414-000

# POWER PANEL COMPONENTS (CONT'D)



LD05853a

Option & Power Panel

**FIG. 12 – ACROSS-THE-LINE POWER PANEL (REF. TABLE 11, PAGES 40-46)**

# POWER PANEL COMPONENTS

**TABLE 11 – ACROSS-THE-LINE POWER PANEL COMPONENTS - MODEL YCAS0250**  
(SEE FIG. 12, PAGE 39)

Item	Qty	Description	YCAS0250-40		YCAS0250-46		YCAS0250-58	
			371-02493-110* XX-MD	371-02493-210* MB-SB-DB-DP	371-02493-102* XX-MD	371-02493-202* MB-SB-DB-DP	371-02493-100* XX-MD	371-02493-200* MB-SB-DB-DP
1A	2	Compressor Contactor (System 1 and 3)	024-31893-000	024-31893-000	024-31892-000	024-31892-000	024-31891-000	024-31891-000
	1	Compressor Contactor (System 2)	024-31893-000	024-31893-000	024-31892-000	024-31892-000	024-31891-000	024-31891-000
1C	3	Surge Suppressor	031-02203-000	031-02203-000	031-02203-000	031-02203-000	031-02203-000	031-02203-000
1G <sup>S</sup>	3	Motor Protector	024-30907-000	024-30907-000	024-30907-000	024-30907-000	024-30907-000	024-30907-000
1I	3	Ground Lug	025-34089-000	025-34089-000	025-34089-000	025-34089-000	025-34088-000	025-34088-000
3A	6	Terminal Block (System 1 and 3)	025-34408-000	N/A	025-34454-000	N/A	025-34454-000	N/A
	3	Terminal Block (System 2)	025-34408-000	N/A	025-34454-000	N/A	025-34454-000	N/A
	2	Circuit Breaker (System 1 and 3)	N/A	025-34424-000	N/A	024-31819-000	N/A	025-34419-000
	1	Circuit Breaker (System 2)	N/A	025-34424-000	N/A	024-31819-000	N/A	025-34419-000
	2	NF Disconnect Switch (System 1 and 3)	N/A	N/A	N/A	N/A	N/A	N/A
	1	NF Disconnect Switch (System 2)	N/A	N/A	N/A	N/A	N/A	N/A
3B	3	MP Handle (CB & NFDS)	N/A	025-35697-000	N/A	025-35697-000	N/A	025-35697-000
	3	MP Shaft (CB & NFDS)	N/A	025-35696-000	N/A	025-35696-000	N/A	025-35696-000
3C	3	Auxiliary Switch	N/A	024-31646-000	N/A	024-31646-000	N/A	024-31646-000
3J	3	MP Ground Lug	025-34085-000	025-34085-000	025-34089-000	025-34085-000	025-34089-000	025-34085-000

<b>XX*</b>	Multi Point supply TB	<b>DB*</b>	Single Point NFDS supply w/ Separate System CBs
<b>MB*</b>	Multi Point supply CBs	<b>DP*</b>	Multi Point supply NFDS w/ Separate System CBs
<b>MD*</b>	Multi Point supply NFDSs	<b>SN*</b>	Single Point supply TB w/ Separate System NFDSs
<b>MN*</b>	Multi Point supply TB w/ Separate System NFDSs	<b>DN*</b>	Single Point NFDS supply w/ Separate System NFDSs
<b>SB*</b>	Single Point TB supply w/ Separate System CBs		

\* Recommended Spare Part

**\*Service Note:**

Locate the **PANEL NUMBER** sticker on the upper right hand corner of the power panel, then refer to the appropriate parts list for that number. Or, identify PIN number positions 16 and 17 on unit identification plate (See example on Page 4) then compare to table at right for power configuration options.

# POWER PANEL COMPONENTS (CONT'D)

**TABLE 11 – ACROSS-THE-LINE POWER PANEL COMPONENTS - MODEL YCAS0270**  
(SEE FIG. 12, PAGE 39)

Item	Qty	Description	YCAS0270-40		YCAS0270-46		YCAS0270-58	
			371-02493-111* XX-MD	371-02493-211* MB-SB-DB-DP	371-02493-107* XX-MD	371-02493-207* MB-SB-DB-DP	371-02493-104* XX-MD	371-02493-204* MB-SB-DB-DP
1A	2	Compressor Contactor (System 1 and 3)	024-31893-000	024-31893-000	024-31892-000	024-31892-000	024-31891-000	024-31891-000
	1	Compressor Contactor (System 2)	024-31893-000	024-31895-000	024-31894-000	024-31894-000	024-31893-000	024-31893-000
1C	3	Surge Suppressor	031-02203-000	031-02203-000	031-02203-000	031-02203-000	031-02203-000	031-02203-000
1G <sup>S</sup>	3	Motor Protector	024-30907-000	024-30907-000	024-30907-000	024-30907-000	024-30907-000	024-30907-000
1I	2	Ground Lug	025-34089-000	025-34089-000	025-34089-000	025-34089-000	025-34088-000	025-34088-000
	1						025-34089-000	025-34089-000
3A	6	Terminal Block (System 1 and 3)	025-34408-000	N/A	025-34454-000	N/A	025-34454-000	N/A
	3	Terminal Block (System 2)	025-34408-000	N/A	025-34405-000	N/A	025-34408-000	N/A
	2	Circuit Breaker (System 1 and 3)	N/A	025-34424-000	N/A	024-31819-000	N/A	025-34419-000
	1	Circuit Breaker (System 2)	N/A	025-34424-000	N/A	025-34424-000	N/A	025-34419-000
	2	NF Disconnect Switch (System 1 and 3)	N/A	N/A	N/A	N/A	N/A	N/A
	1	NF Disconnect Switch (System 2)	N/A	N/A	N/A	N/A	N/A	N/A
3B	3	MP Handle (CB & NFDS)	N/A	025-35697-000	N/A	025-35697-000	N/A	025-35697-000
	3	MP Shaft (CB & NFDS)	N/A	025-35696-000	N/A	025-35696-000	N/A	025-35696-000
3C	3	Auxiliary Switch	N/A	024-31646-000	N/A	024-31646-000	N/A	024-31646-000
3J	2	MP Ground Lug	025-34085-000	025-34085-000	025-34089-000	025-34085-000	025-34089-000	025-34085-000
	1				025-34087-000		025-34085-000	

<b>XX*</b>	Multi Point supply TB	<b>DB*</b>	Single Point NFDS supply w/ Separate System CBs
<b>MB*</b>	Multi Point supply CBs	<b>DP*</b>	Multi Point supply NFDS w/ Separate System CBs
<b>MD*</b>	Multi Point supply NFDSs	<b>SN*</b>	Single Point supply TB w/ Separate System NFDSs
<b>MN*</b>	Multi Point supply TB w/ Separate System NFDSs	<b>DN*</b>	Single Point NFDS supply w/ Separate System NFDSs
<b>SB*</b>	Single Point TB supply w/ Separate System CBs		

<sup>s</sup> Recommended Spare Part

**\*Service Note:**

Locate the **PANEL NUMBER** sticker on the upper right hand corner of the power panel, then refer to the appropriate parts list for that number. Or, identify PIN number positions 16 and 17 on unit identification plate (See example on Page 4) then compare to table at right for power configuration options.

# POWER PANEL COMPONENTS (CONT'D)

**TABLE 11 – ACROSS-THE-LINE POWER PANEL COMPONENTS - MODEL YCAS0300**  
(SEE FIG. 12, PAGE 39)

Item	Qty	Description	YCAS0300-40		YCAS0300-46		YCAS0300-58	
			371-02493-114* XX-MD	371-02493-208* MB-SB-DB-DP	371-02493-110* XX-MD	371-02493-209* MB-SB-DB-DP	371-02493-101* XX-MD	371-02493-201* MB-SB-DB-DP
1A	2	Compressor Contactor (System 1 and 3)	024-31894-000	024-31894-000	024-31893-000	024-31893-000	024-31891-000	024-31891-000
	1	Compressor Contactor (System 2)	024-31894-000	024-31894-000	024-31893-000	024-31893-000	024-31892-000	024-31892-000
1C	3	Surge Suppressor	031-02203-000	031-02203-000	031-02203-000	031-02203-000	031-02203-000	031-02203-000
1G <sup>S</sup>	3	Motor Protector	024-30907-000	024-30907-000	024-30907-000	024-30907-000	024-30907-000	024-30907-000
1I	2	Ground Lug	025-34089-000	025-34089-000	025-34089-000	025-34089-000	025-34088-000	025-34088-000
	1						025-34089-000	025-34089-000
3A	6	Terminal Block (System 1 and 3)	025-34405-000	N/A	025-34408-000	N/A	025-34454-000	N/A
	3	Terminal Block (System 2)	025-34405-000	N/A	025-34408-000	N/A	025-34454-000	N/A
	2	Circuit Breaker (System 1 and 3)	N/A	025-34424-000	N/A	025-34419-000	N/A	025-34419-000
	1	Circuit Breaker (System 2)	N/A	025-34424-000	N/A	025-34424-000	N/A	025-34419-000
	2	NF Disconnect Switch (System 1 and 3)	N/A	N/A	N/A	N/A	N/A	N/A
	1	NF Disconnect Switch (System 2)	N/A	N/A	N/A	N/A	N/A	N/A
3B	3	MP Handle (CB & NFDS)	N/A	025-35697-000	N/A	025-35697-000	N/A	025-35697-000
	3	MP Shaft (CB & NFDS)	N/A	025-35696-000	N/A	025-35696-000	N/A	025-35696-000
3C	3	Auxiliary Switch	N/A	024-31646-000	N/A	024-31646-000	N/A	024-31646-000
3J	3	MP Ground Lug	025-34087-000	025-34085-000	025-34085-000	025-34085-000	025-34089-000	025-34085-000

<b>XX*</b>	Multi Point supply TB	<b>DB*</b>	Single Point NFDS supply w/ Separate System CBs
<b>MB*</b>	Multi Point supply CBs	<b>DP*</b>	Multi Point supply NFDS w/ Separate System CBs
<b>MD*</b>	Multi Point supply NFDSs	<b>SN*</b>	Single Point supply TB w/ Separate System NFDSs
<b>MN*</b>	Multi Point supply TB w/ Separate System NFDSs	<b>DN*</b>	Single Point NFDS supply w/ Separate System NFDSs
<b>SB*</b>	Single Point TB supply w/ Separate System CBs		

\* Recommended Spare Part

**\*Service Note:**

Locate the PANEL NUMBER sticker on the upper right hand corner of the power panel, then refer to the appropriate parts list for that number. Or, identify PIN number positions 16 and 17 on unit identification plate (See example on Page 4) then compare to table at right for power configuration options.

# POWER PANEL COMPONENTS (CONT'D)

**TABLE 11 – ACROSS-THE-LINE POWER PANEL COMPONENTS - MODEL YCAS0330**  
(SEE FIG. 12, PAGE 39)

Item	Qty	Description	YCAS0330-40		YCAS0330-46		YCAS0330-58	
			371-02493-115* XX-MD	371-02493-203* MB-SB-DB-DP	371-02493-112* XX-MD	371-02493-212* MB-SB-DB-DP	371-02493-106* XX-MD	371-02493-206* MB-SB-DB-DP
1A	2	Compressor Contactor (System 1 and 3)	024-31894-000	024-31894-000	024-31893-000	024-31893-000	024-31892-000	024-31892-000
	1	Compressor Contactor (System 2)	024-31895-000	024-31895-000	024-31894-000	024-31894-000	024-31893-000	024-31893-000
1C	3	Surge Suppressor	031-02203-000	031-02203-000	031-02203-000	031-02203-000	031-02203-000	031-02203-000
1G <sup>S</sup>	3	Motor Protector	024-30907-000	024-30907-000	024-30907-000	024-30907-000	024-30907-000	024-30907-000
1I	3	Ground Lug	025-34089-000	025-34089-000	025-34089-000	025-34089-000	025-34089-000	025-34089-000
3A	6	Terminal Block (System 1 and 3)	025-34405-000	N/A	025-34408-000	N/A	025-34454-000	N/A
	3	Terminal Block (System 2)	025-34405-000	N/A	025-34405-000	N/A	025-34408-000	N/A
	2	Circuit Breaker (System 1 and 3)	N/A	025-34424-000	N/A	025-34424-000	N/A	025-34419-000
	1	Circuit Breaker (System 2)	N/A	025-34424-000	N/A	025-34424-000	N/A	025-34419-000
	2	NF Disconnect Switch (System 1 and 3)	N/A	N/A	N/A	N/A	N/A	N/A
	1	NF Disconnect Switch (System 2)	N/A	N/A	N/A	N/A	N/A	N/A
3B	3	MP Handle (CB & NFDS)	N/A	025-35697-000	N/A	025-35697-000	N/A	025-35697-000
	3	MP Shaft (CB & NFDS)	N/A	025-35696-000	N/A	025-35696-000	N/A	025-35696-000
3C	3	Auxiliary Switch	N/A	024-31646-000	N/A	024-31646-000	N/A	024-31646-000
3J	2	MP Ground Lug	025-34087-000	025-34085-000	025-34085-000	025-34085-000	025-34089-000	025-34085-000
	1				025-34087-000		025-34085-000	

<b>XX*</b>	Multi Point supply TB	<b>DB*</b>	Single Point NFDS supply w/ Separate System CBs
<b>MB*</b>	Multi Point supply CBs	<b>DP*</b>	Multi Point supply NFDS w/ Separate System CBs
<b>MD*</b>	Multi Point supply NFDSs	<b>SN*</b>	Single Point supply TB w/ Separate System NFDSs
<b>MN*</b>	Multi Point supply TB w/ Separate System NFDSs	<b>DN*</b>	Single Point NFDS supply w/ Separate System NFDSs
<b>SB*</b>	Single Point TB supply w/ Separate System CBs		

\* Recommended Spare Part

**\*Service Note:**

Locate the PANEL NUMBER sticker on the upper right hand corner of the power panel, then refer to the appropriate parts list for that number. Or, identify PIN number positions 16 and 17 on unit identification plate (See example on Page 4) then compare to table at right for power configuration options.

# POWER PANEL COMPONENTS (CONT'D)

**TABLE 11 – ACROSS-THE-LINE POWER PANEL COMPONENTS - MODEL YCAS0360**  
(SEE FIG. 12, PAGE 39)

Item	Qty	Description	YCAS0360-40		YCAS0360-46		YCAS0360-58	
			371-02494-109* XX-MD	371-02494-209* MB-SB-DB-DP	371-02494-103* XX-MD	371-02494-203* MB-SB-DB-DP	371-02494-101* XX-MD	371-02494-201* MB-SB-DB-DP
1A	2	Compressor Contactor (System 1 and 3)	024-31893-000	024-31893-000	024-31892-000	024-31892-000	024-31891-000	024-31891-000
	2	Compressor Contactor (System 2 and 4)	024-31894-000	024-31894-000	024-31893-000	024-31893-000	024-31892-000	024-31892-000
1C	4	Surge Suppressor	031-02203-000	031-02203-000	031-02203-000	031-02203-000	031-02203-000	031-02203-000
1G <sup>S</sup>	4	Motor Protector	024-30907-000	024-30907-000	024-30907-000	024-30907-000	024-30907-000	024-30907-000
1I	2	Ground Lug	025-34089-000	025-34089-000	025-34089-000	025-34089-000	025-34088-000	025-34088-000
	2						025-34089-000	025-34089-000
3A	6	Terminal Block (System 1 and 3)	025-34408-000	N/A	025-34454-000	N/A	025-34454-000	N/A
	6	Terminal Block (System 2 and 4)	025-34405-000	N/A	025-34408-000	N/A	025-34454-000	N/A
	2	Circuit Breaker (System 1 and 3)	N/A	025-34424-000	N/A	024-31819-000	N/A	025-34419-000
	2	Circuit Breaker (System 2 and 4)	N/A	025-34424-000	N/A	025-34424-000	N/A	025-34419-000
	2	NF Disconnect Switch (System 1 and 3)	N/A	N/A	N/A	N/A	N/A	N/A
	2	NF Disconnect Switch (System 2 and 4)	N/A	N/A	N/A	N/A	N/A	N/A
3B	4	MP Handle (CB & NFDS)	N/A	025-35697-000	N/A	025-35697-000	N/A	025-35697-000
	4	MP Shaft (CB & NFDS)	N/A	025-35696-000	N/A	025-35696-000	N/A	025-35696-000
3C	4	Auxiliary Switch	N/A	024-31646-000	N/A	024-31646-000	N/A	024-31646-000
3J	2	MP Ground Lug	025-34085-000	025-34085-000	025-34089-000	025-34085-000	025-34089-000	025-34085-000
	2		025-34087-000		025-34085-000			

<b>XX*</b>	Multi Point supply TB	<b>DB*</b>	Single Point NFDS supply w/ Separate System CBs
<b>MB*</b>	Multi Point supply CBs	<b>DP*</b>	Multi Point supply NFDS w/ Separate System CBs
<b>MD*</b>	Multi Point supply NFDSs	<b>SN*</b>	Single Point supply TB w/ Separate System NFDSs
<b>MN*</b>	Multi Point supply TB w/ Separate System NFDSs	<b>DN*</b>	Single Point NFDS supply w/ Separate System NFDSs
<b>SB*</b>	Single Point TB supply w/ Separate System CBs		

<sup>s</sup> Recommended Spare Part

**\*Service Note:**

Locate the **PANEL NUMBER** sticker on the upper right hand corner of the power panel, then refer to the appropriate parts list for that number. Or, identify PIN number positions 16 and 17 on unit identification plate (See example on Page 4) then compare to table at right for power configuration options.

# POWER PANEL COMPONENTS (CONT'D)

**TABLE 11 – ACROSS-THE-LINE POWER PANEL COMPONENTS - MODEL YCAS0400**  
(SEE FIG. 12, PAGE 39)

Item	Qty	Description	YCAS0400-40		YCAS0400-46		YCAS0400-58	
			371-02494-110* XX-MD	371-02494-210* MB-SB-DB-DP	371-02494-107* XX-MD	371-02494-207* MB-SB-DB-DP	371-02494-100* XX-MD	371-02494-200* MB-SB-DB-DP
1A	2	Compressor Contactor (System 1 and 3)	024-31894-000	024-31894-000	024-31893-000	024-31893-000	024-31891-000	024-31891-000
	2	Compressor Contactor (System 2 and 4)	024-31894-000	024-31894-000	024-31893-000	024-31893-000	024-31892-000	024-31892-000
1C	4	Surge Suppressor	031-02203-000	031-02203-000	031-02203-000	031-02203-000	031-02203-000	031-02203-000
1G <sup>S</sup>	4	Motor Protector	024-30907-000	024-30907-000	024-30907-000	024-30907-000	024-30907-000	024-30907-000
1I	2	Ground Lug	025-34089-000	025-34089-000	025-34089-000	025-34089-000	025-34088-000	025-34088-000
	2						025-34089-000	025-34089-000
3A	6	Terminal Block (System 1 and 3)	025-34405-000	N/A	025-34408-000	N/A	025-34454-000	N/A
	6	Terminal Block (System 2 and 4)	025-34405-000	N/A	025-34408-000	N/A	025-34454-000	N/A
	2	Circuit Breaker (System 1 and 3)	N/A	025-34424-000	N/A	025-34419-000	N/A	025-34419-000
	2	Circuit Breaker (System 2 and 4)	N/A	025-34424-000	N/A	025-34424-000	N/A	025-34419-000
	2	NF Disconnect Switch (System 1 and 3)	N/A	N/A	N/A	N/A	N/A	N/A
	2	NF Disconnect Switch (System 2 and 4)	N/A	N/A	N/A	N/A	N/A	N/A
3B	4	MP Handle (CB & NFDS)	N/A	025-35697-000	N/A	025-35697-000	N/A	025-35697-000
	4	MP Shaft (CB & NFDS)	N/A	025-35696-000	N/A	025-35696-000	N/A	025-35696-000
3C	4	Auxiliary Switch	N/A	024-31646-000	N/A	024-31646-000	N/A	024-31646-000
3J	4	MP Ground Lug	025-34087-000	025-34085-000	025-34085-000	025-34085-000	025-34089-000	025-34085-000

<b>XX*</b>	Multi Point supply TB	<b>DB*</b>	Single Point NFDS supply w/ Separate System CBs
<b>MB*</b>	Multi Point supply CBs	<b>DP*</b>	Multi Point supply NFDS w/ Separate System CBs
<b>MD*</b>	Multi Point supply NFDSs	<b>SN*</b>	Single Point supply TB w/ Separate System NFDSs
<b>MN*</b>	Multi Point supply TB w/ Separate System NFDSs	<b>DN*</b>	Single Point NFDS supply w/ Separate System NFDSs
<b>SB*</b>	Single Point TB supply w/ Separate System CBs		

<sup>s</sup> Recommended Spare Part

**\*Service Note:**

Locate the PANEL NUMBER sticker on the upper right hand corner of the power panel, then refer to the appropriate parts list for that number. Or, identify PIN number positions 16 and 17 on unit identification plate (See example on Page 4) then compare to table at right for power configuration options.

# POWER PANEL COMPONENTS (CONT'D)

**TABLE 11 – ACROSS-THE-LINE POWER PANEL COMPONENTS - MODEL YCAS0440**  
(SEE FIG. 12, PAGE 39)

Item	Qty	Description	YCAS0440-40		YCAS0440-46		YCAS0440-58	
			371-02494-111* XX-MD	371-02494-211* MB-SB-DB-DP	371-02494-108* XX-MD	371-02494-208* MB-SB-DB-DP	371-02494-102* XX-MD	371-02494-202* MB-SB-DB-DP
1A	2	Compressor Contactor (System 1 and 3)	024-31894-000	024-31894-000	024-31893-000	024-31893-000	024-31892-000	024-31892-000
	2	Compressor Contactor (System 2 and 4)	024-31895-000	024-31895-000	024-31894-000	024-31894-000	024-31893-000	024-31893-000
1C	4	Surge Suppressor	031-02203-000	031-02203-000	031-02203-000	031-02203-000	031-02203-000	031-02203-000
1G <sup>S</sup>	4	Motor Protector	024-30907-000	024-30907-000	024-30907-000	024-30907-000	024-30907-000	024-30907-000
1I	4	Ground Lug	025-34089-000	025-34089-000	025-34089-000	025-34089-000	025-34089-000	025-34089-000
3A	6	Terminal Block (System 1 and 3)	025-34405-000	N/A	025-34408-000	N/A	025-34454-000	N/A
	6	Terminal Block (System 2 and 4)	025-34405-000	N/A	025-34405-000	N/A	025-34408-000	N/A
	2	Circuit Breaker (System 1 and 3)	N/A	025-34424-000	N/A	025-34424-000	N/A	025-34419-000
	2	Circuit Breaker (System 2 and 4)	N/A	025-34424-000	N/A	025-34424-000	N/A	025-34419-000
	2	NF Disconnect Switch (System 1 and 3)	N/A	N/A	N/A	N/A	N/A	N/A
	2	NF Disconnect Switch (System 2 and 4)	N/A	N/A	N/A	N/A	N/A	N/A
3B	4	MP Handle (CB & NFDS)	N/A	025-35697-000	N/A	025-35697-000	N/A	025-35697-000
	4	MP Shaft (CB & NFDS)	N/A	025-35696-000	N/A	025-35696-000	N/A	025-35696-000
3C	4	Auxiliary Switch	N/A	024-31646-000	N/A	024-31646-000	N/A	024-31646-000
3J	2	MP Ground Lug	025-34087-000	025-34085-000	025-34085-000	025-34085-000	025-34089-000	025-34085-000
	2				025-34087-000		025-34085-000	

<b>XX*</b>	Multi Point supply TB	<b>DB*</b>	Single Point NFDS supply w/ Separate System CBs
<b>MB*</b>	Multi Point supply CBs	<b>DP*</b>	Multi Point supply NFDS w/ Separate System CBs
<b>MD*</b>	Multi Point supply NFDSs	<b>SN*</b>	Single Point supply TB w/ Separate System NFDSs
<b>MN*</b>	Multi Point supply TB w/ Separate System NFDSs	<b>DN*</b>	Single Point NFDS supply w/ Separate System NFDSs
<b>SB*</b>	Single Point TB supply w/ Separate System CBs		

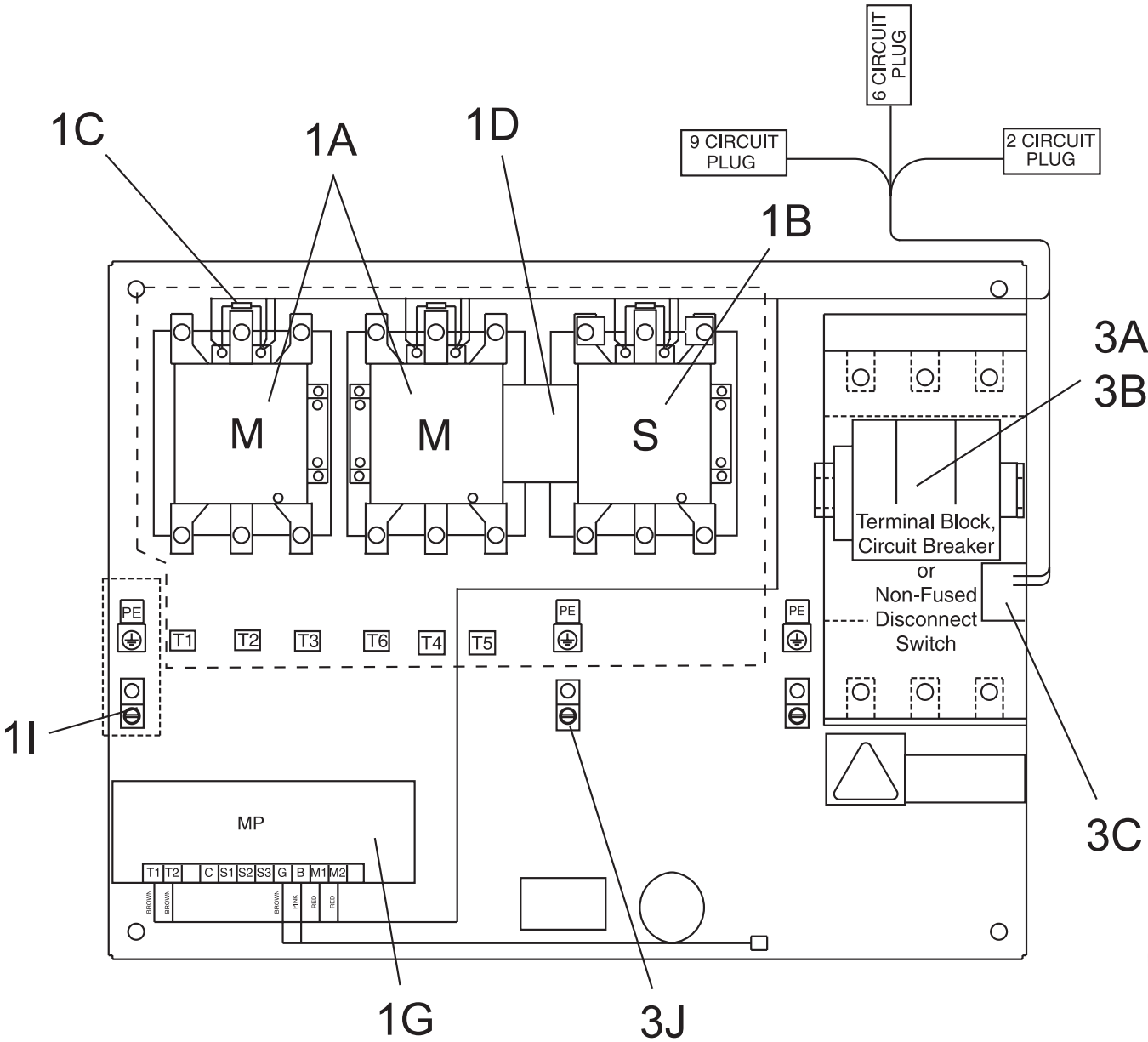
<sup>s</sup> Recommended Spare Part

**\*Service Note:**

Locate the **PANEL NUMBER** sticker on the upper right hand corner of the power panel, then refer to the appropriate parts list for that number. Or, identify PIN number positions 16 and 17 on unit identification plate (See example on Page 4) then compare to table at right for power configuration options.

Option & Power Panel

# POWER PANEL COMPONENTS (CONT'D)



LD05852a

Option & Power Panel

FIG. 13 – WYE DELTA POWER PANEL (REF. TABLE 12, PAGES 48-54)

## POWER PANEL COMPONENTS (CONT'D)

**TABLE 12 – WYE DELTA POWER PANEL COMPONENTS - MODEL YCAS0250**  
(SEE FIG. 13, PAGE 47)

Item	Qty	Description	YCAS0250-40	YCAS0250-46	YCAS0250-58
			371-02493-228* MB-SB-DB-DP	371-02493-222* MB-SB-DB-DP	371-02493-220* MB-SB-DB-DP
1A	2	Compressor Contactor (System 1)	024-31891-000	024-31109-000	024-31640-000
	2	Compressor Contactor (System 2)	024-31891-000	024-31109-000	024-31640-000
	2	Compressor Contactor (System 3)	024-31891-000	024-31109-000	024-31640-000
1B	1	Compressor Contactor (System 1)	024-31639-000	024-31106-000	024-31106-000
	1	Compressor Contactor (System 2)	024-31639-000	024-31106-000	024-31106-000
	1	Compressor Contactor (System 3)	024-31639-000	024-31106-000	024-31106-000
1C	9	Surge Suppressor	031-02203-000	031-02203-000	031-02203-000
1D	3	Mechanical Interlock	024-34263-000	024-31601-000	024-31601-000
1G <sup>S</sup>	3	Motor Protector	024-30907-000	024-30907-000	024-30907-000
1I	3	Ground Lug	025-34089-000	025-34088-000	025-34088-000
3A	2	Circuit Breaker (System 1 and 2)	025-34424-000	024-31819-000	025-34419-000
	1	Circuit Breaker (System 3)	025-34424-000	024-31819-000	025-34419-000
3B	3	MP Handle (CB & NFDS)	025-35697-000	025-35697-000	025-35697-000
	3	MP Shaft (CB & NFDS)	025-35696-000	025-35696-000	025-35696-000
3C	3	Auxiliary Switch	024-31646-000	024-31646-000	024-31646-000
3J	3	MP Ground Lug	025-34085-000	025-34085-000	025-34085-000

<b>XX*</b>	Multi Point supply TB
<b>MB*</b>	Multi Point supply CBs
<b>SB*</b>	Single Point TB supply w/ Separate System CBs
<b>DB*</b>	Single Point NFDS supply w/ Separate System CBs
<b>DP*</b>	Multi Point NFDS supply w/ Separate System CBs

<sup>S</sup> Recommended Spare Part

**\*Service Note:**

Locate the **PANEL NUMBER** sticker on the upper right hand corner of the power panel, then refer to the appropriate parts list for that number. Or, identify PIN number positions 16 and 17 on unit identification plate (See example on Page 4) then compare to table at right for power configuration options.

## POWER PANEL COMPONENTS (CONT'D)

**TABLE 12 – WYE DELTA POWER PANEL COMPONENTS - MODEL YCAS0270**  
(SEE FIG. 13, PAGE 47)

Item	Qty	Description	YCAS0270-40	YCAS0270-46	YCAS0270-58
			371-02493-230* MB-SB-DB-DP	371-02493-225* MB-SB-DB-DP	371-02493-221* MB-SB-DB-DP
1A	2	Compressor Contactor (System 1)	024-31891-000	024-31109-000	024-31640-000
	2	Compressor Contactor (System 2)	024-31891-000	024-31109-000	024-31640-000
	2	Compressor Contactor (System 3)	024-31892-000	024-31891-000	024-31110-000
1B	1	Compressor Contactor (System 1)	024-31639-000	024-31106-000	024-31106-000
	1	Compressor Contactor (System 2)	024-31639-000	024-31106-000	024-31106-000
	1	Compressor Contactor (System 3)	024-31891-000	024-31639-000	024-31107-000
1C	9	Surge Suppressor	031-02203-000	031-02203-000	031-02203-000
1D	2	Mechanical Interlock	024-34263-000	024-31601-000	024-31601-000
	1			024-34263-000	
1G <sup>s</sup>	3	Motor Protector	024-30907-000	024-30907-000	024-30907-000
1I	2	Ground Lug	025-34089-000	025-34088-000	025-34088-000
	1			025-34089-000	025-34089-000
3A	2	Circuit Breaker (System 1 and 2)	025-34424-000	024-31819-000	025-34419-000
	1	Circuit Breaker (System 3)	025-34424-000	025-34424-000	025-34419-000
3B	3	MP Handle (CB & NFDS)	025-35697-000	025-35697-000	025-35697-000
	3	MP Shaft (CB & NFDS)	025-35696-000	025-35696-000	025-35696-000
3C	3	Auxiliary Switch	024-31646-000	024-31646-000	024-31646-000
3J	3	MP Ground Lug	025-34085-000	025-34085-000	025-34085-000

<b>XX*</b>	Multi Point supply TB
<b>MB*</b>	Multi Point supply CBs
<b>SB*</b>	Single Point TB supply w/ Separate System CBs
<b>DB*</b>	Single Point NFDS supply w/ Separate System CBs
<b>DP*</b>	Multi Point NFDS supply w/ Separate System CBs

<sup>s</sup> Recommended Spare Part

**\*Service Note:**

Locate the PANEL NUMBER sticker on the upper right hand corner of the power panel, then refer to the appropriate parts list for that number. Or, identify PIN number positions 16 and 17 on unit identification plate (See example on Page 4) then compare to table at right for power configuration options.

## POWER PANEL COMPONENTS (CONT'D)

**TABLE 12 – WYE DELTA POWER PANEL COMPONENTS - MODEL YCAS0300**  
(SEE FIG. 13, PAGE 47)

Item	Qty	Description	YCAS0300-40	YCAS0300-46	YCAS0300-58
			371-02493-228* MB-SB-DB-DP	371-02493-227* MB-SB-DB-DP	371-02493-229* MB-SB-DB-DP
1A	2	Compressor Contactor (System 1)	024-31891-000	024-31110-000	024-31109-000
	2	Compressor Contactor (System 2)	024-31891-000	024-31110-000	024-31109-000
	2	Compressor Contactor (System 3)	024-31891-000	024-31891-000	024-31109-000
1B	1	Compressor Contactor (System 1)	024-31639-000	024-31107-000	024-31106-000
	1	Compressor Contactor (System 2)	024-31639-000	024-31107-000	024-31106-000
	1	Compressor Contactor (System 3)	024-31639-000	024-31639-000	024-31106-000
1C	9	Surge Suppressor	031-02203-000	031-02203-000	031-02203-000
1D	2	Mechanical Interlock	024-34263-000	024-31601-000	024-31601-000
	1			024-34263-000	
1G <sup>S</sup>	3	Motor Protector	024-30907-000	024-30907-000	024-30907-000
1I	3	Ground Lug	025-34089-000	025-34089-000	025-34088-000
3A	2	Circuit Breaker (System 1 and 2)	025-34424-000	025-34419-000	025-34419-000
	1	Circuit Breaker (System 3)	025-34424-000	025-34424-000	025-34419-000
3B	3	MP Handle (CB & NFDS)	025-35697-000	025-35697-000	025-35697-000
	3	MP Shaft (CB & NFDS)	025-35696-000	025-35696-000	025-35696-000
3C	3	Auxiliary Switch	024-31646-000	024-31646-000	024-31646-000
3J	3	MP Ground Lug	025-34085-000	025-34085-000	025-34085-000

<b>XX*</b>	Multi Point supply TB
<b>MB*</b>	Multi Point supply CBs
<b>SB*</b>	Single Point TB supply w/ Separate System CBs
<b>DB*</b>	Single Point NFDS supply w/ Separate System CBs
<b>DP*</b>	Multi Point NFDS supply w/ Separate System CBs

<sup>S</sup> Recommended Spare Part

**\*Service Note:**

Locate the PANEL NUMBER sticker on the upper right hand corner of the power panel, then refer to the appropriate parts list for that number. Or, identify PIN number positions 16 and 17 on unit identification plate (See example on Page 4) then compare to table at right for power configuration options.

## POWER PANEL COMPONENTS (CONT'D)

**TABLE 12 – WYE DELTA POWER PANEL COMPONENTS - MODEL YCAS0330**  
(SEE FIG. 13, PAGE 47)

Item	Qty	Description	YCAS0330-40	YCAS0330-46	YCAS0330-58
			371-02493-230* MB-SB-DB-DP	371-02493-228* MB-SB-DB-DP	371-02493-223* MB-SB-DB-DP
1A	2	Compressor Contactor (System 1)	024-31891-000	024-31891-000	024-31109-000
	2	Compressor Contactor (System 2)	024-31891-000	024-31891-000	024-31109-000
	2	Compressor Contactor (System 3)	024-31892-000	024-31891-000	024-31110-000
1B	1	Compressor Contactor (System 1)	024-31639-000	024-31639-000	024-31106-000
	1	Compressor Contactor (System 2)	024-31639-000	024-31639-000	024-31106-000
	1	Compressor Contactor (System 3)	024-31891-000	024-31639-000	024-31107-000
1C	9	Surge Suppressor	031-02203-000	031-02203-000	031-02203-000
1D	3	Mechanical Interlock	024-34263-000	024-34263-000	024-31601-000
1G <sup>s</sup>	3	Motor Protector	024-30907-000	024-30907-000	024-30907-000
1I	2	Ground Lug	025-34089-000	025-34089-000	025-34088-000
	1				025-34089-000
3A	2	Circuit Breaker (System 1 and 2)	025-34424-000	025-34424-000	025-34419-000
	1	Circuit Breaker (System 3)	025-34424-000	025-34424-000	025-34419-000
3B	3	MP Handle (CB & NFDS)	025-35697-000	025-35697-000	025-35697-000
	3	MP Shaft (CB & NFDS)	025-35696-000	025-35696-000	025-35696-000
3C	3	Auxiliary Switch	024-31646-000	024-31646-000	024-31646-000
3J	2	MP Ground Lug	025-34085-000	025-34085-000	025-34085-000

<b>XX*</b>	Multi Point supply TB
<b>MB*</b>	Multi Point supply CBs
<b>SB*</b>	Single Point TB supply w/ Separate System CBs
<b>DB*</b>	Single Point NFDS supply w/ Separate System CBs
<b>DP*</b>	Multi Point NFDS supply w/ Separate System CBs

<sup>s</sup> Recommended Spare Part

**\*Service Note:**

Locate the PANEL NUMBER sticker on the upper right hand corner of the power panel, then refer to the appropriate parts list for that number. Or, identify PIN number positions 16 and 17 on unit identification plate (See example on Page 4) then compare to table at right for power configuration options.

# POWER PANEL COMPONENTS (CONT'D)

**TABLE 12 – WYE DELTA POWER PANEL COMPONENTS - MODEL YCAS0360**  
(SEE FIG. 13, PAGE 47)

Item	Qty	Description	YCAS0360-40	YCAS0360-46	YCAS0360-58
			371-02494-227* MB-SB-DB-DP	371-02494-224* MB-SB-DB-DP	371-02494-220* MB-SB-DB-DP
1A	2	Compressor Contactor (System 1)	024-31891-000	024-31109-000	024-31640-000
	2	Compressor Contactor (System 2)	024-31891-000	024-31109-000	024-31640-000
	2	Compressor Contactor (System 3)	024-31891-000	024-31891-000	024-31640-000
	2	Compressor Contactor (System 4)	024-31891-000	024-31891-000	024-31640-000
1B	1	Compressor Contactor (System 1)	024-31639-000	024-31106-000	024-31106-000
	1	Compressor Contactor (System 2)	024-31639-000	024-31106-000	024-31106-000
	1	Compressor Contactor (System 3)	024-31639-000	024-31639-000	024-31106-000
	1	Compressor Contactor (System 4)	024-31639-000	024-31639-000	024-31106-000
1C	12	Surge Suppressor	031-02203-000	031-02203-000	031-02203-000
1D	2	Mechanical Interlock	024-34263-000	024-31601-000	024-31601-000
	2			024-34263-000	
1G <sup>s</sup>	4	Motor Protector	024-30907-000	024-30907-000	024-30907-000
1I	2	Ground Lug	025-34089-000	025-34088-000	025-34088-000
	2			025-34089-000	
3A	2	Circuit Breaker (System 1 and 2)	025-34424-000	024-31819-000	025-34419-000
	2	Circuit Breaker (System 3 and 4)	025-34424-000	025-34424-000	025-34419-000
3B	4	MP Handle (CB & NFDS)	025-35697-000	025-35697-000	025-35697-000
	4	MP Shaft (CB & NFDS)	025-35696-000	025-35696-000	025-35696-000
3C	4	Auxiliary Switch	024-31646-000	024-31646-000	024-31646-000
3J	4	MP Ground Lug	025-34085-000	025-34085-000	025-34085-000

<b>XX*</b>	Multi Point supply TB
<b>MB*</b>	Multi Point supply CBs
<b>SB*</b>	Single Point TB supply w/ Separate System CBs
<b>DB*</b>	Single Point NFDS supply w/ Separate System CBs
<b>DP*</b>	Multi Point NFDS supply w/ Separate System CBs

<sup>s</sup> Recommended Spare Part

**\*Service Note:**

Locate the PANEL NUMBER sticker on the upper right hand corner of the power panel, then refer to the appropriate parts list for that number. Or, identify PIN number positions 16 and 17 on unit identification plate (See example on Page 4) then compare to table at right for power configuration options.

## POWER PANEL COMPONENTS (CONT'D)

**TABLE 12 – WYE DELTA POWER PANEL COMPONENTS - MODEL YCAS0400**  
(SEE FIG. 13, PAGE 47)

Item	Qty	Description	YCAS0400-40	YCAS0400-46	YCAS0400-58
			371-02494-227* MB-SB-DB-DP	371-02494-223* MB-SB-DB-DP	371-02494-221* MB-SB-DB-DP
1A	2	Compressor Contactor (System 1)	024-31891-000	024-31110-000	024-31109-000
	2	Compressor Contactor (System 2)	024-31891-000	024-31110-000	024-31109-000
	2	Compressor Contactor (System 3)	024-31891-000	024-31891-000	024-31109-000
	2	Compressor Contactor (System 4)	024-31891-000	024-31891-000	024-31109-000
1B	1	Compressor Contactor (System 1)	024-31639-000	024-31107-000	024-31106-000
	1	Compressor Contactor (System 2)	024-31639-000	024-31107-000	024-31106-000
	1	Compressor Contactor (System 3)	024-31639-000	024-31639-000	024-31106-000
	1	Compressor Contactor (System 4)	024-31639-000	024-31639-000	024-31106-000
1C	12	Surge Suppressor	031-02203-000	031-02203-000	031-02203-000
1D	2	Mechanical Interlock	024-34263-000	024-31601-000	024-31601-000
	2			024-34263-000	
1G <sup>s</sup>	4	Motor Protector	024-30907-000	024-30907-000	024-30907-000
1I	4	Ground Lug	025-34089-000	025-34089-000	025-34088-000
3A	2	Circuit Breaker (System 1 and 2)	025-34424-000	025-34419-000	025-34419-000
	2	Circuit Breaker (System 3 and 4)	025-34424-000	025-34424-000	025-34419-000
3B	4	MP Handle (CB & NFDS)	025-35697-000	025-35697-000	025-35697-000
	4	MP Shaft (CB & NFDS)	025-35696-000	025-35696-000	025-35696-000
3C	4	Auxiliary Switch	024-31646-000	024-31646-000	024-31646-000
3J	4	MP Ground Lug	025-34085-000	025-34085-000	025-34085-000

<b>XX*</b>	Multi Point supply TB
<b>MB*</b>	Multi Point supply CBs
<b>SB*</b>	Single Point TB supply w/ Separate System CBs
<b>DB*</b>	Single Point NFDS supply w/ Separate System CBs
<b>DP*</b>	Multi Point NFDS supply w/ Separate System CBs

<sup>s</sup> Recommended Spare Part

**\*Service Note:**

Locate the PANEL NUMBER sticker on the upper right hand corner of the power panel, then refer to the appropriate parts list for that number. Or, identify PIN number positions 16 and 17 on unit identification plate (See example on Page 4) then compare to table at right for power configuration options.

## POWER PANEL COMPONENTS (CONT'D)

**TABLE 12 – WYE DELTA POWER PANEL COMPONENTS - MODEL YCAS0440**  
(SEE FIG. 13, PAGE 47)

Item	Qty	Description	YCAS0440-40	YCAS0440-46	YCAS0440-58
			371-02494-228* MB-SB-DB-DP	371-02494-227* MB-SB-DB-DP	371-02494-222* MB-SB-DB-DP
1A	2	Compressor Contactor (System 1)	024-31891-000	024-31891-000	024-31109-000
	2	Compressor Contactor (System 2)	024-31891-000	024-31891-000	024-31109-000
	2	Compressor Contactor (System 3)	024-31892-000	024-31891-000	024-31109-000
	2	Compressor Contactor (System 4)	024-31892-000	024-31891-000	024-31109-000
1B	1	Compressor Contactor (System 1)	024-31639-000	024-31639-000	024-31106-000
	1	Compressor Contactor (System 2)	024-31639-000	024-31639-000	024-31106-000
	1	Compressor Contactor (System 3)	024-31891-000	024-31639-000	024-31106-000
	1	Compressor Contactor (System 4)	024-31891-000	024-31639-000	024-31106-000
1C	12	Surge Suppressor	031-02203-000	031-02203-000	031-02203-000
1D	2	Mechanical Interlock	024-34263-000	024-34263-000	024-31601-000
	2				
1G <sup>s</sup>	4	Motor Protector	024-30907-000	024-30907-000	024-30907-000
1I	2	Ground Lug	025-34089-000	025-34089-000	025-34088-000
	2				025-34089-000
3A	2	Circuit Breaker (System 1 and 2)	025-34424-000	025-34424-000	025-34419-000
	2	Circuit Breaker (System 3 and 4)	025-34424-000	025-34424-000	025-34419-000
3B	4	MP Handle (CB & NFDS)	025-35697-000	025-35697-000	025-35697-000
	4	MP Shaft (CB & NFDS)	025-35696-000	025-35696-000	025-35696-000
3C	4	Auxiliary Switch	024-31646-000	024-31646-000	024-31646-000
3J	4	MP Ground Lug	025-34085-000	025-34085-000	025-34085-000

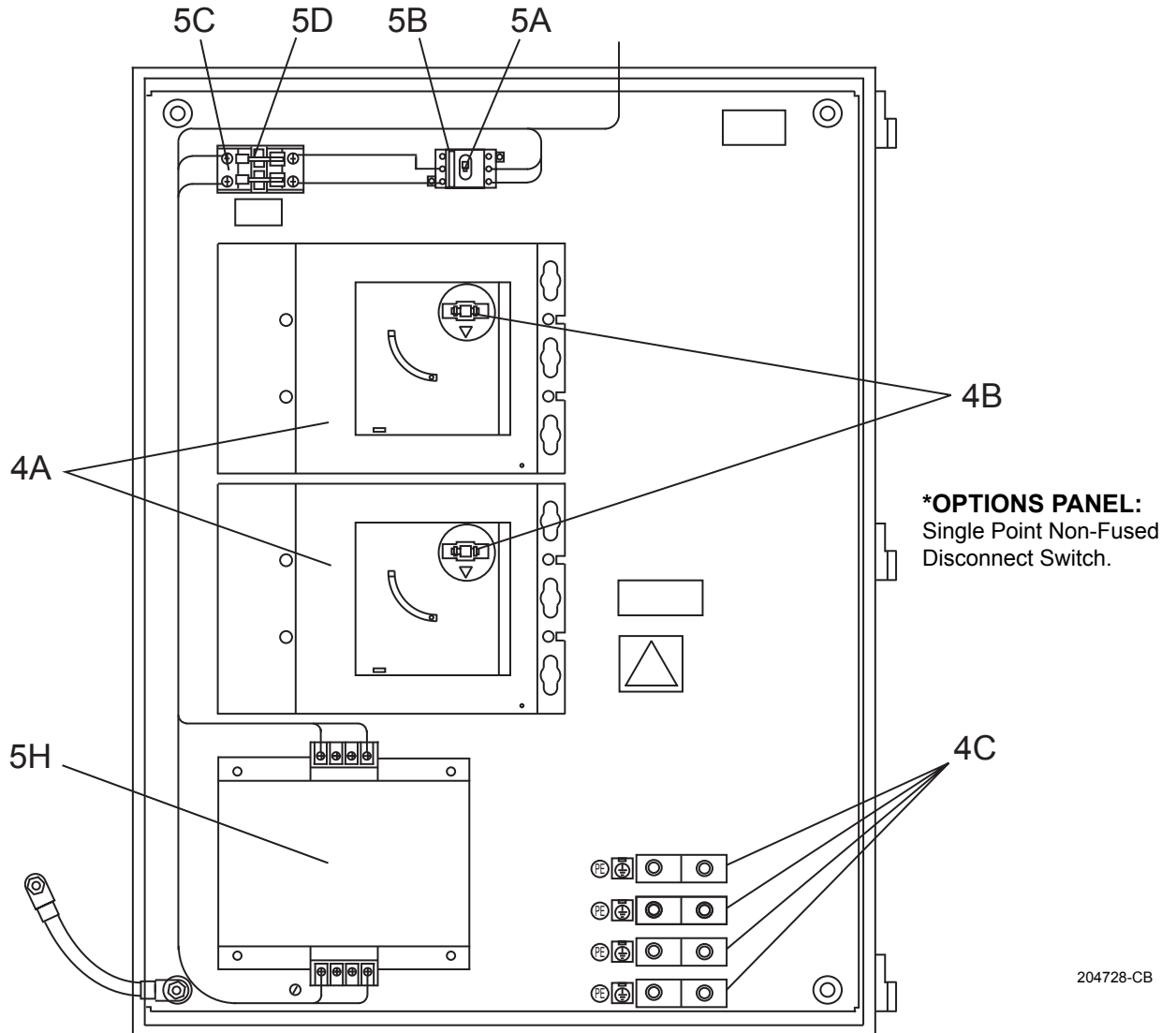
<b>XX*</b>	Multi Point supply TB
<b>MB*</b>	Multi Point supply CBs
<b>SB*</b>	Single Point TB supply w/ Separate System CBs
<b>DB*</b>	Single Point NFDS supply w/ Separate System CBs
<b>DP*</b>	Multi Point NFDS supply w/ Separate System CBs

<sup>s</sup> Recommended Spare Part

**\*Service Note:**

Locate the PANEL NUMBER sticker on the upper right hand corner of the power panel, then refer to the appropriate parts list for that number. Or, identify PIN number positions 16 and 17 on unit identification plate (See example on Page 4) then compare to table at right for power configuration options.

# OPTIONS PANEL COMPONENTS



204728-CB

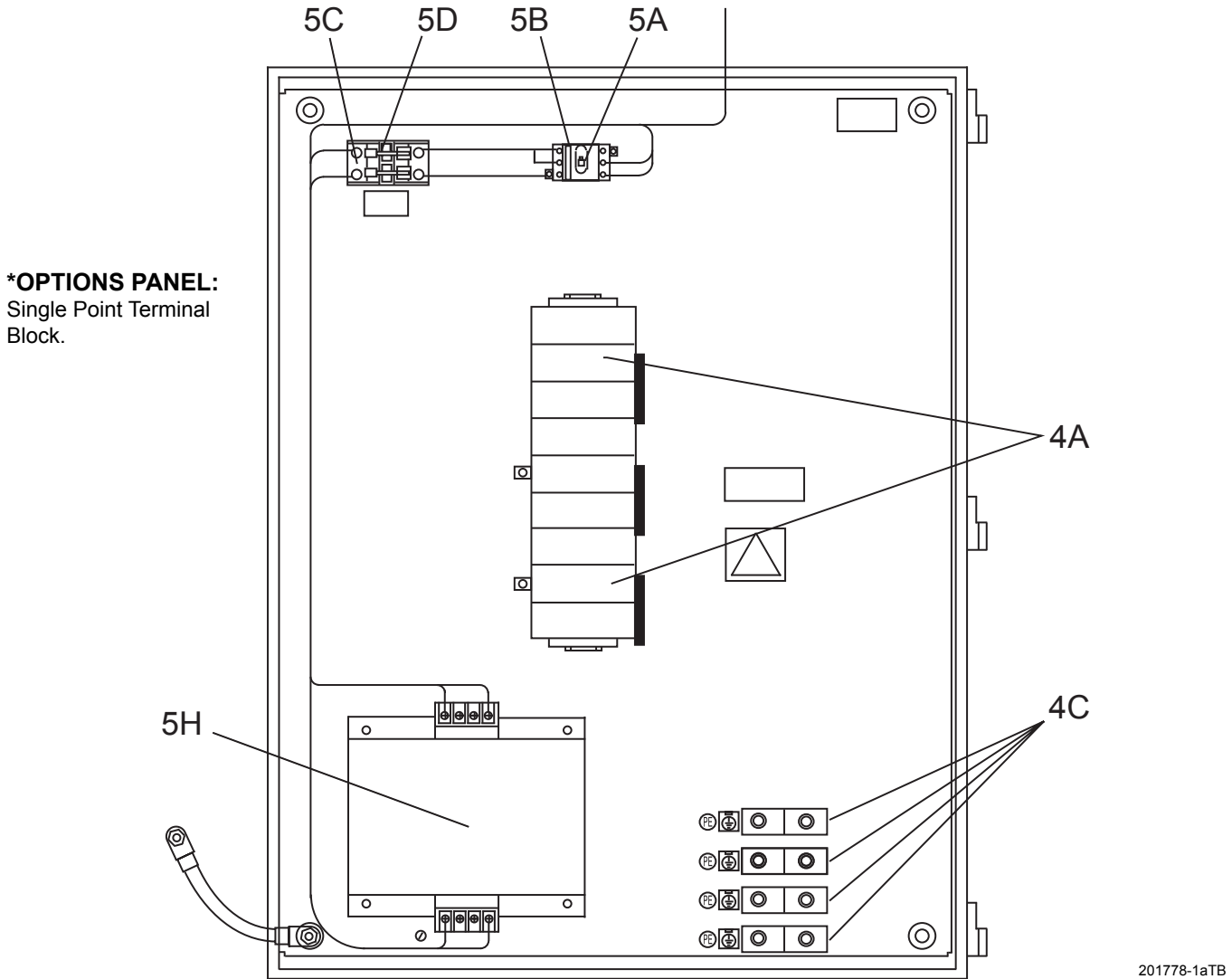
**FIG. 14a** – SINGLE POINT CIRCUIT BREAKER OR NON-FUSED DISCONNECT SWITCH OPTIONS PANEL COMPONENTS (REF. TABLES 13 AND 15)

**TABLE 13** – OPTIONAL CONTROL TRANSFORMER KIT (SEE FIG. 14A)

Item	Qty	Voltage Code	Description	Part Number
5A	1	All	Handle	024-31832-000
5B	1	All	Switch	024-31833-000
5C	1	50	Fuse Block	025-34427-000
	1	40,46 & 58		025-35667-000
5D	2		Fuse	025-34433-000
	2			025-34428-000
	2	40		025-34435-000
	2	46		025-34430-000
	2	58		025-34431-000
5H	1	40 & 50	Control Transformer	025-34483-000
	1	46	Control Transformer	025-37605-000
	1	58	Control Transformer	025-37633-000

Option & Power Panel

## OPTIONS PANEL COMPONENTS (CONT'D)



201778-1aTB

**FIG. 14b – SINGLE POINT TERMINAL BLOCK OPTIONS PANEL COMPONENTS (REF. TABLES 14 AND 15)**

**TABLE 14 – OPTIONAL CONTROL TRANSFORMER KIT (SEE FIG. 14B)**

Item	Qty	Voltage Code	Description	Part Number
5A	1	All	Handle	024-31832-000
5B	1	All	Switch	024-31833-000
5C	1	50	Fuse Block	025-34427-000
	1	17,28,40,46 & 58		025-35667-000
5D	2	17	Fuse	025-34433-000
	2	28		025-34428-000
	2	40		025-34435-000
	2	46		025-34430-000
	2	58		025-34431-000
5H	1	17,40 & 50	Control Transformer (On Back of Panel)	025-34483-000
	1	28 & 46	Control Transformer (On Back of Panel)	025-37605-000
	1	58	Control Transformer (On Back of Panel)	025-37633-000

## OPTIONS PANEL COMPONENTS (CONT'D)

**TABLE 15 – OPTIONS PANEL COMPONENTS - MODEL YCAS0250**  
(SEE FIGS. 14A AND 14B, PAGES 55 AND 56)

Item	Qty	Description	YCAS0250-40	
			371-02496-111 SB	371-02496-141 DB
4A	3	Terminal Block	025-34405-000	N/A
	3		025-34408-000	N/A
	1	Non-Fused Disconnect Switch	N/A	024-31870-000
	1		N/A	024-30964-000
4B	2	SP Handle (NFDS)	N/A	025-35697-000
	2	SP Shaft (NFDS)	N/A	025-35696-000
4C	1	SP Ground Lug	025-34089-000	025-34085-000
	1		025-34087-000	025-34085-000

Item	Qty	Description	YCAS0250-46	
			371-02496-110 SB	371-02496-141 DB
4A	3	Terminal Block	025-34405-000	N/A
	3		025-34454-000	N/A
	1	Non-Fused Disconnect Switch	N/A	024-31870-000
	1		N/A	024-30964-000
4B	2	SP Handle (NFDS)	N/A	025-35697-000
	2	SP Shaft (NFDS)	N/A	025-35696-000
4C	1	SP Ground Lug	025-34089-000	025-34085-000
	1		025-34087-000	025-34085-000

Item	Qty	Description	YCAS0250-58	
			371-02496-110 SB	371-02496-140 DB
4A	3	Terminal Block	025-34405-000	N/A
	3		025-34454-000	N/A
	1	Non-Fused Disconnect Switch	N/A	024-31888-000
	1		N/A	024-30964-000
4B	2	SP Handle (NFDS)	N/A	025-35697-000
	2	SP Shaft (NFDS)	N/A	025-35696-000
4C	1	SP Ground Lug	025-34089-000	025-34089-000
	1		025-34087-000	025-34085-000

## OPTIONS PANEL COMPONENTS (CONT'D)

**TABLE 15 – OPTIONS PANEL COMPONENTS - MODEL YCAS0270**  
(SEE FIGS. 14A AND 14B, PAGES 55 AND 56)

Item	Qty	Description	YCAS0270-40	
			371-02496-113 SB	371-02496-143 DB
4A	3	Terminal Block	025-34405-000	N/A
	3		025-34408-000	N/A
	1	Non-Fused Disconnect Switch	N/A	024-31870-000
	1		N/A	024-30965-000
4B	2	SP Handle (NFDS)	N/A	025-35697-000
	2	SP Shaft (NFDS)	N/A	025-35696-000
4C	1	SP Ground Lug	025-34089-000	025-34085-000
	1		025-34087-000	025-34086-000

Item	Qty	Description	YCAS0270-46	
			371-02496-110 SB	371-02496-141 DB
4A	3	Terminal Block	025-34405-000	N/A
	3		025-34454-000	N/A
	1	Non-Fused Disconnect Switch	N/A	024-31870-000
	1		N/A	024-30964-000
4B	2	SP Handle (NFDS)	N/A	025-35697-000
	2	SP Shaft (NFDS)	N/A	025-35696-000
4C	1	SP Ground Lug	025-34089-000	025-34085-000
	1		025-34087-000	025-34085-000

Item	Qty	Description	YCAS0270-58	
			371-02496-110 SB	371-02496-140 DB
4A	3	Terminal Block	025-34405-000	N/A
	3		025-34454-000	N/A
	1	Non-Fused Disconnect Switch	N/A	024-31888-000
	1		N/A	024-30964-000
4B	2	SP Handle (NFDS)	N/A	025-35697-000
	2	SP Shaft (NFDS)	N/A	025-35696-000
4C	1	SP Ground Lug	025-34089-000	025-34089-000
	1		025-34087-000	025-34085-000

## OPTIONS PANEL COMPONENTS (CONT'D)

**TABLE 15 – OPTIONS PANEL COMPONENTS - MODEL YCAS0300**  
(SEE FIGS. 14A AND 14B, PAGES 55 AND 56)

Item	Qty	Description	YCAS0300-40	
			371-02496-113 SB	371-02496-144 DB
4A	3	Terminal Block	025-34405-000	N/A
	3		025-34408-000	N/A
	1	Non-Fused Disconnect Switch	N/A	024-30963-000
	1		N/A	024-30965-000
4B	2	SP Handle (NFDS)	N/A	025-35697-000
	2	SP Shaft (NFDS)	N/A	025-35696-000
4C	1	SP Ground Lug	025-34089-000	025-34085-000
	1		025-34087-000	025-34086-000

Item	Qty	Description	YCAS0300-46	
			371-02496-111 SB	371-02496-141 DB
4A	3	Terminal Block	025-34405-000	N/A
	3		025-34408-000	N/A
	1	Non-Fused Disconnect Switch	N/A	024-31870-000
	1		N/A	024-30964-000
4B	2	SP Handle (NFDS)	N/A	025-35697-000
	2	SP Shaft (NFDS)	N/A	025-35696-000
4C	1	SP Ground Lug	025-34089-000	025-34085-000
	1		025-34087-000	025-34085-000

Item	Qty	Description	YCAS0300-58	
			371-02496-110 SB	371-02496-142 DB
4A	3	Terminal Block	025-34405-000	N/A
	3		025-34454-000	N/A
	1	Non-Fused Disconnect Switch	N/A	024-30963-000
	1		N/A	024-30964-000
4B	2	SP Handle (NFDS)	N/A	025-35697-000
	2	SP Shaft (NFDS)	N/A	025-35696-000
4C	1	SP Ground Lug	025-34089-000	025-34085-000
	1		025-34087-000	025-34085-000

## OPTIONS PANEL COMPONENTS (CONT'D)

**TABLE 15 – OPTIONS PANEL COMPONENTS - MODEL YCAS0330**  
(SEE FIGS. 14A AND 14B, PAGES 55 AND 56)

Item	Qty	Description	YCAS0330-40	
			371-02496-113 SB	371-02496-144 DB
4A	3	Terminal Block	025-34405-000	N/A
	3		025-34408-000	N/A
	1	Non-Fused Disconnect Switch	N/A	024-30963-000
	1		N/A	024-30965-000
4B	2	SP Handle (NFDS)	N/A	025-35697-000
	2	SP Shaft (NFDS)	N/A	025-35696-000
4C	1	SP Ground Lug	025-34089-000	025-34085-000
	1		025-34087-000	025-34086-000

Item	Qty	Description	YCAS0330-46	
			371-02496-111 SB	371-02496-141 DB
4A	3	Terminal Block	025-34405-000	N/A
	3		025-34408-000	N/A
	1	Non-Fused Disconnect Switch	N/A	024-31870-000
	1		N/A	024-30964-000
4B	2	SP Handle (NFDS)	N/A	025-35697-000
	2	SP Shaft (NFDS)	N/A	025-35696-000
4C	1	SP Ground Lug	025-34089-000	025-34085-000
	1		025-34087-000	025-34085-000

Item	Qty	Description	YCAS0330-58	
			371-02496-110 SB	371-02496-142 DB
4A	3	Terminal Block	025-34405-000	N/A
	3		025-34454-000	N/A
	1	Non-Fused Disconnect Switch	N/A	024-30963-000
	1		N/A	024-30964-000
4B	2	SP Handle (NFDS)	N/A	025-35697-000
	2	SP Shaft (NFDS)	N/A	025-35696-000
4C	1	SP Ground Lug	025-34089-000	025-34085-000
	1		025-34087-000	025-34085-000

## OPTIONS PANEL COMPONENTS (CONT'D)

**TABLE 15 – OPTIONS PANEL COMPONENTS - MODEL YCAS0360**  
(SEE FIGS. 14A AND 14B, PAGES 55 AND 56)

Item	Qty	Description	YCAS0360-40	
			371-02497-111 SB	371-02497-141 DB
4A	6	Terminal Block	025-34408-000	N/A
	6		025-34408-000	N/A
	1	Non-Fused Disconnect Switch	N/A	024-30965-000
	1		N/A	024-30965-000
4B	2	SP Handle (NFDS)	N/A	025-35697-000
	2	SP Shaft (NFDS)	N/A	025-35696-000
4C	2	SP Ground Lug	025-34085-000	025-34086-000
	2		025-34085-000	025-34086-000
4D	6	Insertion Bridge	025-34422-000	N/A

Item	Qty	Description	YCAS0360-46	
			371-02497-110 SB	371-02497-140 DB
4A	3	Terminal Block	025-34405-000	N/A
	3		025-34405-000	N/A
	1	Non-Fused Disconnect Switch	N/A	024-30964-000
	1		N/A	024-30964-000
4B	2	SP Handle (NFDS)	N/A	025-35697-000
	2	SP Shaft (NFDS)	N/A	025-35696-000
4C	1	SP Ground Lug	025-34087-000	025-34085-000
	1		025-34087-000	025-34085-000

Item	Qty	Description	YCAS0360-58	
			371-02497-110 SB	371-02497-140 DB
4A	3	Terminal Block	025-34405-000	N/A
	3		025-34405-000	N/A
	1	Non-Fused Disconnect Switch	N/A	024-30964-000
	1		N/A	024-30964-000
4B	2	SP Handle (NFDS)	N/A	025-35697-000
	2	SP Shaft (NFDS)	N/A	025-35696-000
4C	1	SP Ground Lug	025-34087-000	025-34085-000
	1		025-34087-000	025-34085-000

## OPTIONS PANEL COMPONENTS (CONT'D)

**TABLE 15 – OPTIONS PANEL COMPONENTS - MODEL YCAS0400**  
(SEE FIGS. 14A AND 14B, PAGES 55 AND 56)

Item	Qty	Description	YCAS0400-40	
			371-02497-111 SB	371-02497-141 DB
4A	6	Terminal Block	025-34408-000	N/A
	6		025-34408-000	N/A
	1	Non-Fused Disconnect Switch	N/A	024-30965-000
	1		N/A	024-30965-000
4B	2	SP Handle (NFDS)	N/A	025-35697-000
	2	SP Shaft (NFDS)	N/A	025-35696-000
4C	2	SP Ground Lug	025-34085-000	025-34086-000
	2		025-34085-000	025-34086-000
4D	6	Insertion Bridge	025-34422-000	N/A

Item	Qty	Description	YCAS0400-46	
			371-02497-110 SB	371-02497-140 DB
4A	3	Terminal Block	025-34405-000	N/A
	3		025-34405-000	N/A
	1	Non-Fused Disconnect Switch	N/A	024-30964-000
	1		N/A	024-30964-000
4B	2	SP Handle (NFDS)	N/A	025-35697-000
	2	SP Shaft (NFDS)	N/A	025-35696-000
4C	1	SP Ground Lug	025-34087-000	025-34085-000
	1		025-34087-000	025-34085-000

Item	Qty	Description	YCAS0400-58	
			371-02497-110 SB	371-02497-140 DB
4A	3	Terminal Block	025-34405-000	N/A
	3		025-34405-000	N/A
	1	Non-Fused Disconnect Switch	N/A	024-30964-000
	1		N/A	024-30964-000
4B	2	SP Handle (NFDS)	N/A	025-35697-000
	2	SP Shaft (NFDS)	N/A	025-35696-000
4C	1	SP Ground Lug	025-34087-000	025-34085-000
	1		025-34087-000	025-34085-000

## OPTIONS PANEL COMPONENTS (CONT'D)

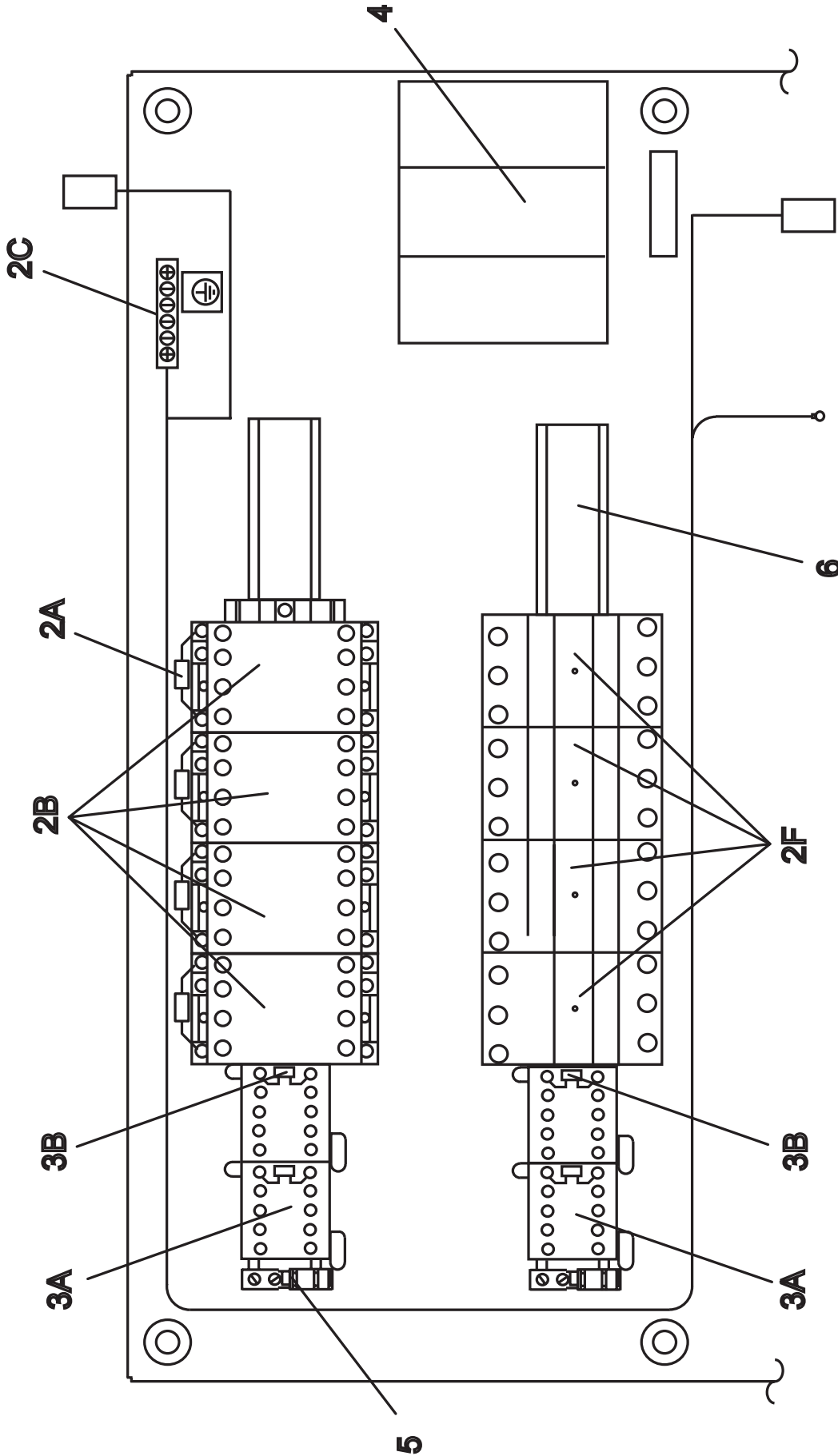
**TABLE 15 – OPTIONS PANEL COMPONENTS - MODEL YCAS0440**  
(SEE FIGS. 14A AND 14B, PAGES 55 AND 56)

Item	Qty	Description	YCAS0440-40	
			371-02497-112 SB	371-02497-141 DB
4A	6	Terminal Block	025-34405-000	N/A
	6		025-34405-000	N/A
	1	Non-Fused Disconnect Switch	N/A	024-30965-000
	1		N/A	024-30965-000
4B	2	SP Handle (NFDS)	N/A	025-35697-000
	2	SP Shaft (NFDS)	N/A	025-35696-000
4C	2	SP Ground Lug	025-34087-000	025-34086-000
	2		025-34087-000	025-34086-000
4D	6	Insertion Bridge	025-34423-000	N/A

Item	Qty	Description	YCAS0440-46	
			371-02497-111 SB	371-02497-141 DB
4A	6	Terminal Block	025-34408-000	N/A
	6		025-34408-000	N/A
	1	Non-Fused Disconnect Switch	N/A	024-30965-000
	1		N/A	024-30965-000
4B	2	SP Handle (NFDS)	N/A	025-35697-000
	2	SP Shaft (NFDS)	N/A	025-35696-000
4C	2	SP Ground Lug	025-34085-000	025-34086-000
	2		025-34085-000	025-34086-000
4D	6	Insertion Bridge	025-34422-000	N/A

Item	Qty	Description	YCAS0440-58	
			371-02497-110 SB	371-02497-140 DB
4A	3	Terminal Block	025-34405-000	N/A
	3		025-34405-000	N/A
	1	Non-Fused Disconnect Switch	N/A	024-30964-000
	1		N/A	024-30964-000
4B	2	SP Handle (NFDS)	N/A	025-35697-000
	2	SP Shaft (NFDS)	N/A	025-35696-000
4C	1	SP Ground Lug	025-34087-000	025-34085-000
	1		025-34087-000	025-34085-000

# FAN CONTACTOR COMPONENTS



\* Note: 4 fan panel assembly shown.

FIG. 15 – FAN CONTACTOR COMPONENTS (REF. TABLE 16, PAGE 65)

Option & Power Panel

## FAN CONTACTOR COMPONENTS (CONT'D)

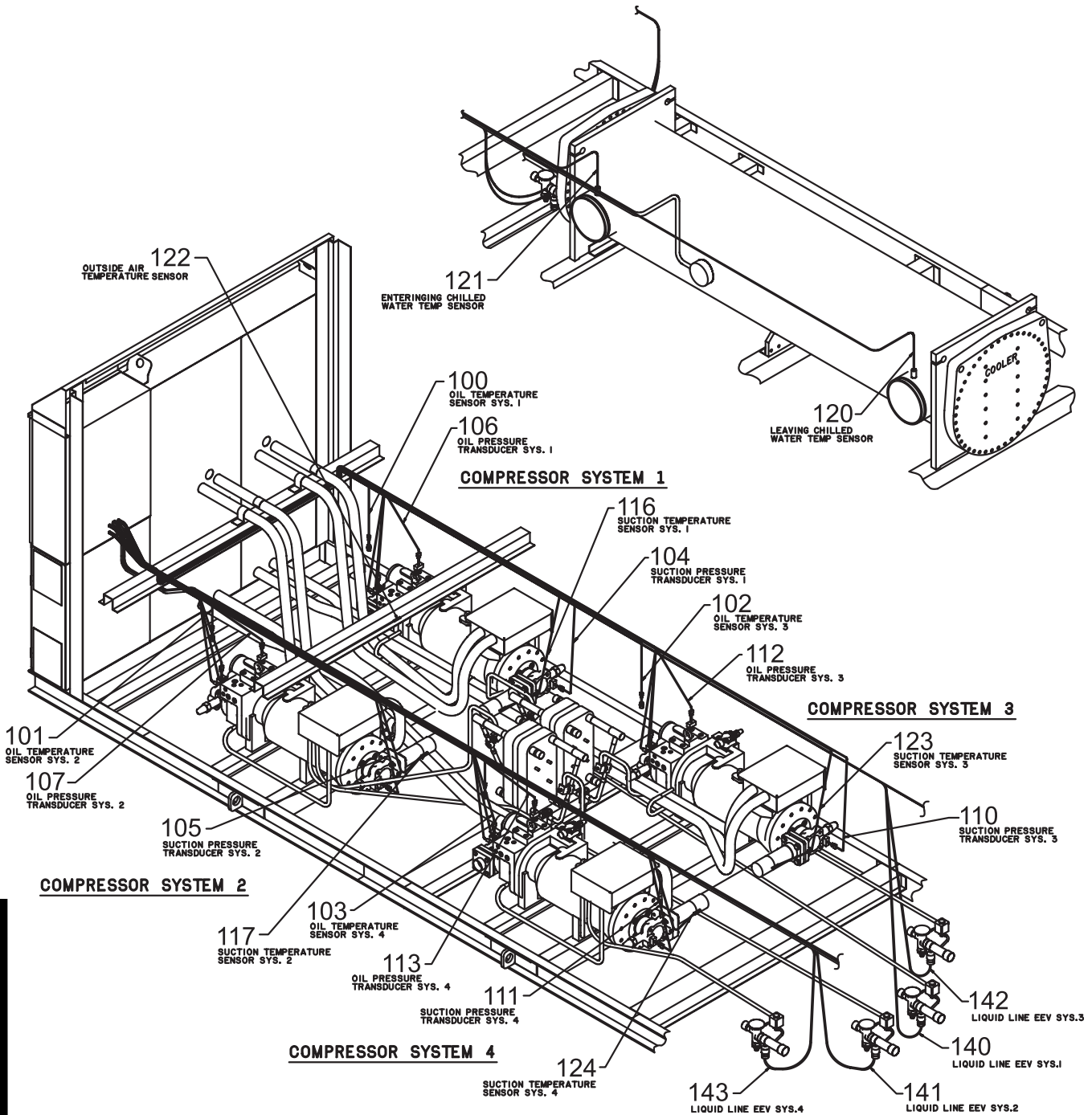
**TABLE 16 – FAN CONTACTOR COMPONENTS - STYLE G (SEE FIG. 15, PAGE 64)**

Item #	Legend	Description	Qty*	Part Number
<b>2A</b>		SURGE SUPPRESSOR	4	031-02104-000
<b>2Bs</b>	9M-20M	FAN CONTACTOR 380V, 460V & 575V	4	024-34300-000
		FAN CONTACTOR 200V & 230V		024-34302-000
<b>2C</b>		GROUND BAR	1	025-35685-000
<b>2Fs</b>	9OL-20OL	6.3 Amp OVERLOAD	4	024-33168-000
		9.0 Amp OVERLOAD		024-33169-000
		12.0 Amp OVERLOAD		024-33178-000
<b>3A</b>	CR & TR	CONTROL RELAY	4	024-33177-000
<b>3B</b>		SURGE SUPPRESSOR	4	031-02107-000
<b>4</b>		3 POLE TERMINAL BLOCK	1	025-34451-000
<b>5</b>		END CLAMP	3	025-34439-000
<b>6</b>		DIN RAIL, SLOTTED	1	025-29167-000

\* NOTE: 4 fan quantities are shown in this table. Adjust quantities for 3, 5 and 6 fan assemblies as needed.

° Recommended Spare Part

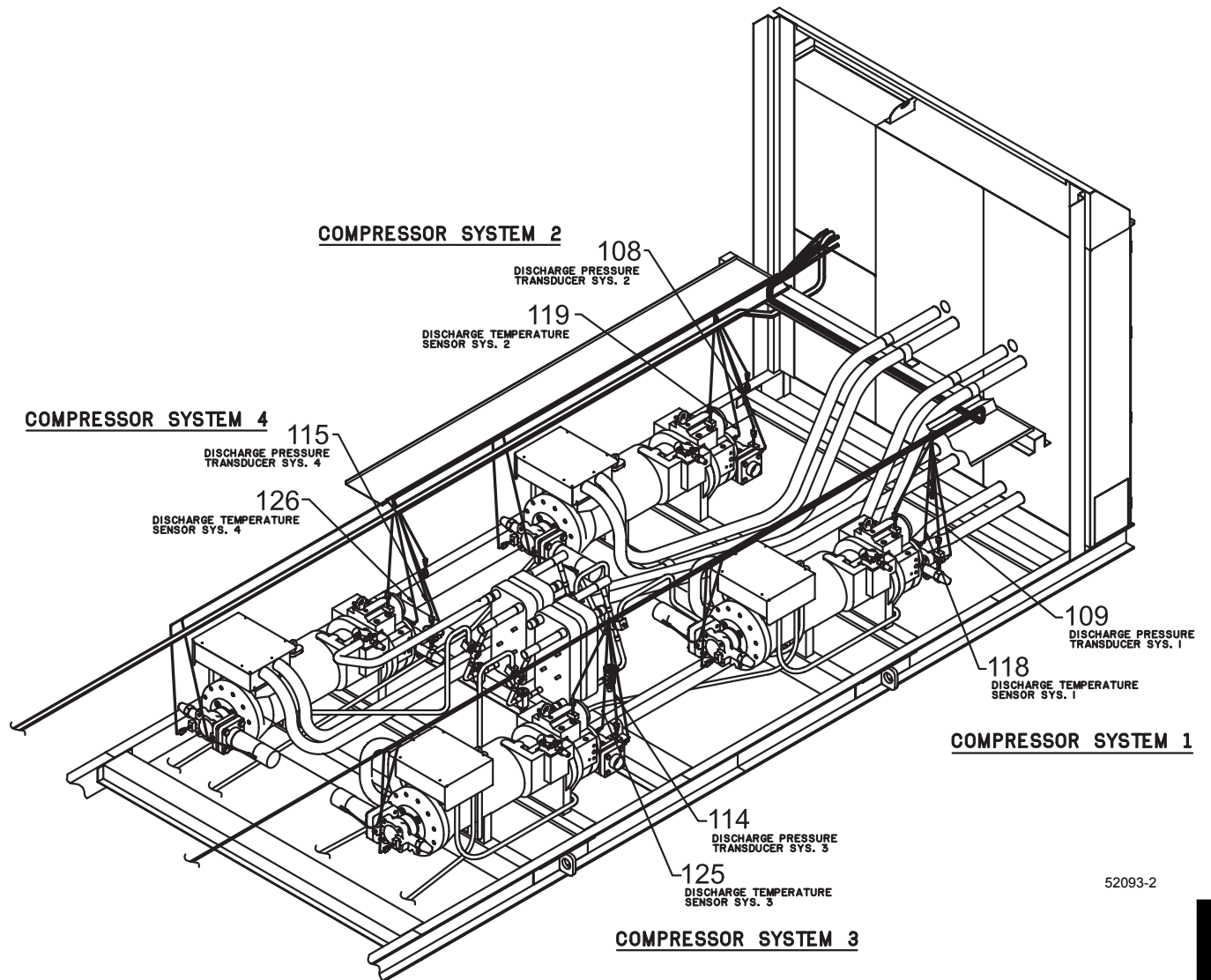
# SENSOR HARNESSES



52093-1b

**FIG. 16 – HARNESS LAYOUT FOUR COMPRESSOR UNIT SHOWN (REF. TABLE 17, PAGES 68 AND 69)**

# SENSOR HARNESSES - CONT'D



52093-2

Option & Power Panel

**FIG. 16A** – HARNESS LAYOUT FOUR COMPRESSOR UNIT SHOWN (REF. TABLE 17, PAGES 68 AND 69)

## SENSOR HARNESSSES - CONT'D

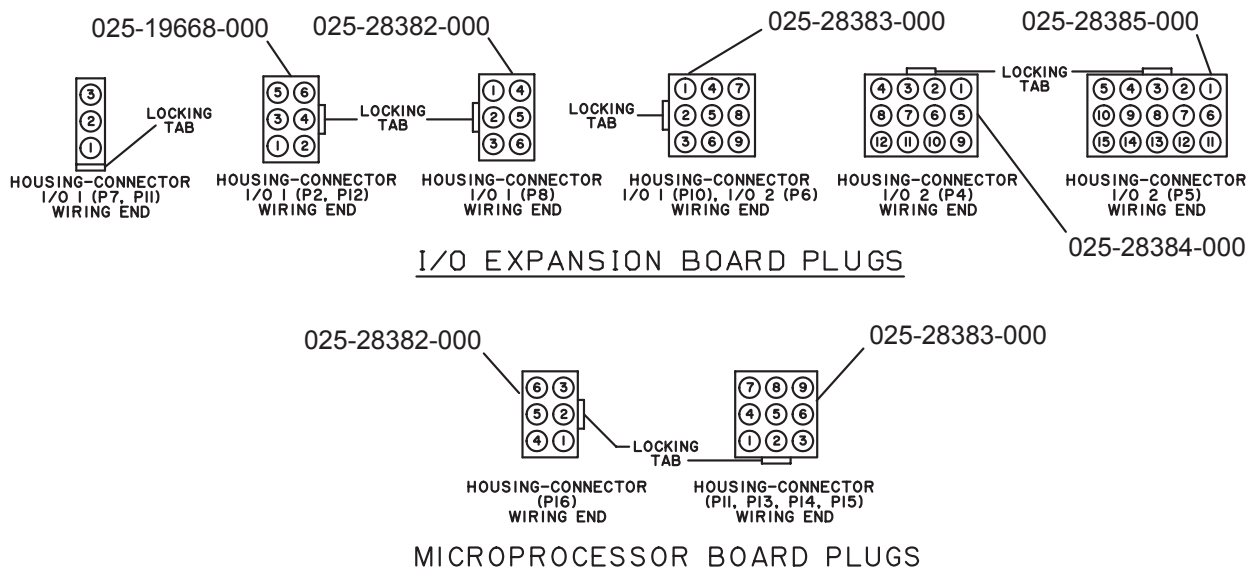
**TABLE 17 – SENSOR HARNESS WIRING (SEE FIGS. 16 AND 16A, PAGES 66 AND 67)**

Board Location	Cable Item No.	Cable Length	Wire Color	Plug Pin No.	Function	Harness Assembly Part Number
MICRO P13	104	201"	Red	4	System #1 Suction Pressure	371-02504-211
			Black	1		
			White	7		
			Drain	2		
	106	139"	Red	5	System #1 Oil Pressure	371-02504-213
			Black	3		
White			8			
Drain			9			
MICRO P14	105	144"	Red	4	System #2 Suction Pressure	371-02504-212
			Black	1		
			White	7		
			Drain	2		
	107	87"	Red	5	System #2 Oil Pressure	371-02504-214
			Black	3		
White			8			
Drain			9			
MICRO P11	120	438"	Red	7	Leaving Chilled Water Temperature	371-02504-236
			Black	4		
			Drain	1		
	121	390"	Red	8	Entering Chilled Water Temperature	371-02504-237
			Black	5		
			Drain	2		
122	140"	Red	9	Outside Air Temperature	371-02504-238	
		Black	6			
		Drain	3			
MICRO P15	109	88"	Red	5	System #1 Discharge Pressure	371-02504-216
			Black	3		
			White	8		
			Drain	9		
	108	141"	Red	4	System #2 Discharge Pressure	371-02504-215
			Black	1		
White			7			
Drain			2			
MICRO P16	116	193"	Red	5	System #1 Suction Temperature	371-02504-231
			Black	6		
			Drain	1		
	117	138"	Red	2	System #2 Suction Temperature	371-02504-232
			Black	4		
			Drain	3		
I/O 1 P10	100	157"	Red	4	System #1 Oil Temperature	371-02504-201
			Black	7		
			Drain	3		
	101	103"	Red	5	System #2 Oil Temperature	371-02504-202
			Black	6		
			Drain	2		
I/O 1 P8	118	157"	Red	2	System #1 Discharge Temperature	371-02504-233
			Black	4		
			Drain	1		
	119	107"	Red	5	System #2 Discharge Temperature	371-02504-234
			Black	6		
			Drain	3		
I/O 2 P4	110	310"	Red	5	System #3 Suction Pressure	371-02504-221
			Black	1		
			White	10		
			Drain	2		
	112	246"	Red	6	System #3 Oil Pressure	371-02504-223
			Black	3		
White			11			
Drain			4			
114	252"	Red	7	System #3 Discharge Pressure	371-02504-225	
		Black	8			
		White	12			
		Drain	9			

# SENSOR HARNESSSES - CONT'D

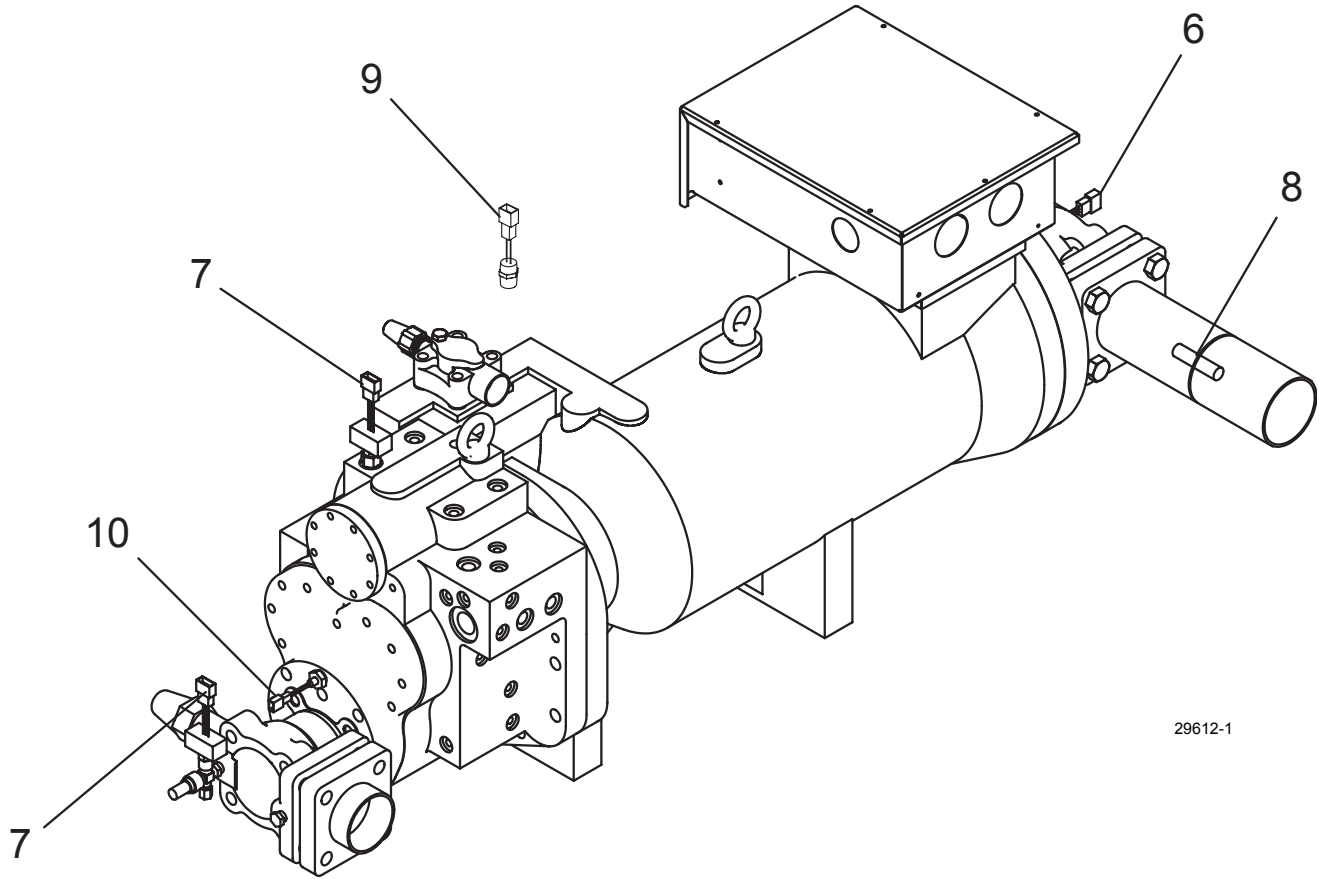
**TABLE 17 (CONT'D) – SENSOR HARNESS WIRING (SEE FIGS. 16 AND 16A, PAGES 66 AND 67)**

Board Location	Cable Item No.	Cable Length	Wire Color	Plug Pin No.	Function	Harness Assembly Part Number
I/O 2 P6	102	251"	Red	4	System #3 Oil Temperature	371-02504-203
			Black	8		
			Drain	1		
	125	246"	Red	5	System #3 Discharge Temperature	371-02504-243
			Black	9		
			Drain	2		
I/O 2 P7	111	265"	Red	5	System #4 Suction Pressure	371-02504-222
			Black	1		
			White	10		
			Drain	2		
	113	200"	Red	6	System #4 Oil Pressure	371-02504-224
			Black	3		
			White	11		
			Drain	4		
	115	202"	Red	7	System #4 Discharge Pressure	371-02504-226
			Black	8		
			White	12		
			Drain	9		
I/O 2 P8	103	194"	Red	4	System #4 Oil Temperature	371-02504-204
			Black	8		
			Drain	1		
	126	194"	Red	5	System #4 Discharge Temperature	371-02504-244
			Black	9		
			Drain	2		
I/O 2 P5	123	312"	Red	4	System #3 Suction Temperature	371-02504-241
			Black	8		
			Drain	1		
	124	261"	Red	5	System #4 Suction Temperature	371-02504-242
			Black	9		
			Drain	2		
EEV OUTPUT BOARD NO. 1 AND TRANS- FORMERS 6T & 7T	140	407"	Black	6T	System #1 EEV Output	375-46161-292
			Red	TB 1-2		
	141	343"	Black	7T	Sysyem #2 EEV Output	375-46161-293
			Red	TB 2-2		
EEV OUTPUT BOARD NO. 2 AND TRANS- FORMERS 8T & 9T	142	407"	Black	8T	System #3 EEV Output	375-46161-287
			Red	TB 1-2		
	143	343"	Black	9T	Sysyem #4 EEV Output	375-46161-288
			Red	TB 2-2		

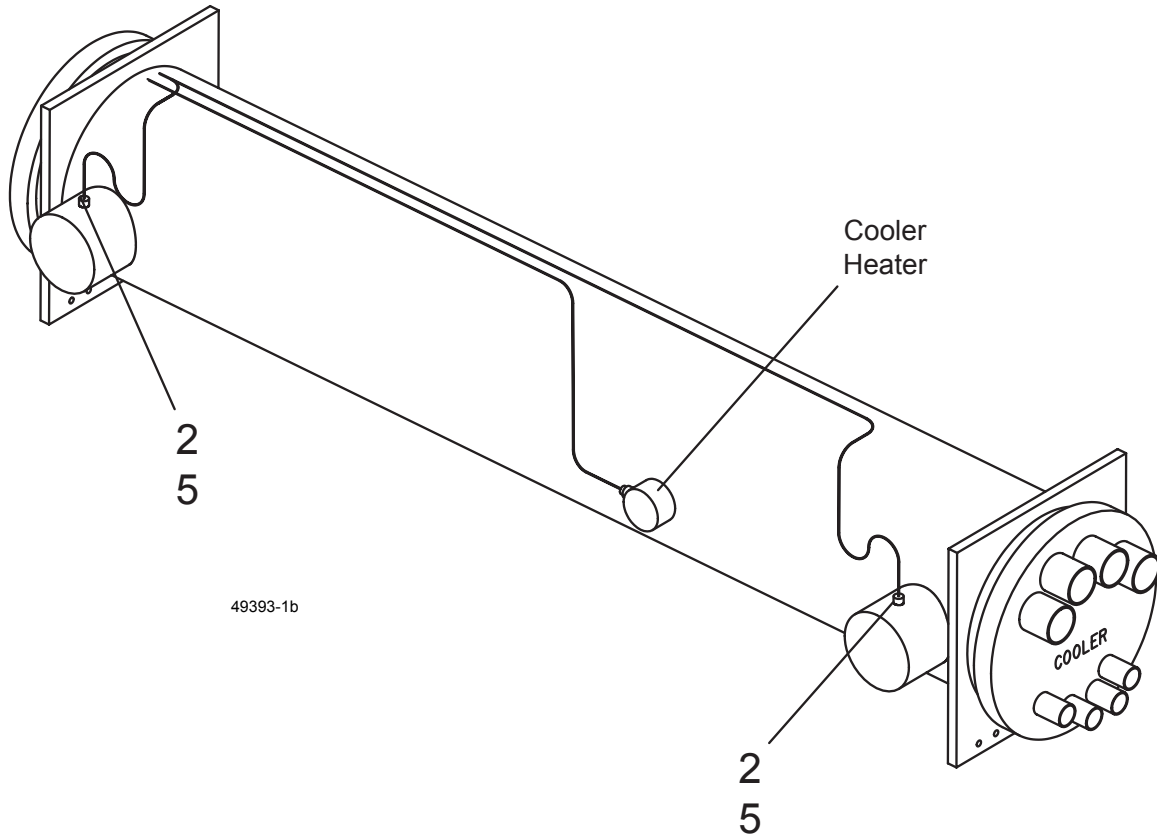


**FIG. 16B – SENSOR HOUSING PART NUMBERS**

# TRANSDUCERS AND TEMP SENSORS



29612-1



49393-1b

Option & Power Panel

FIG. 17 – TRANSDUCERS AND TEMP SENSORS (REF. TABLE 18, PAGE 71)

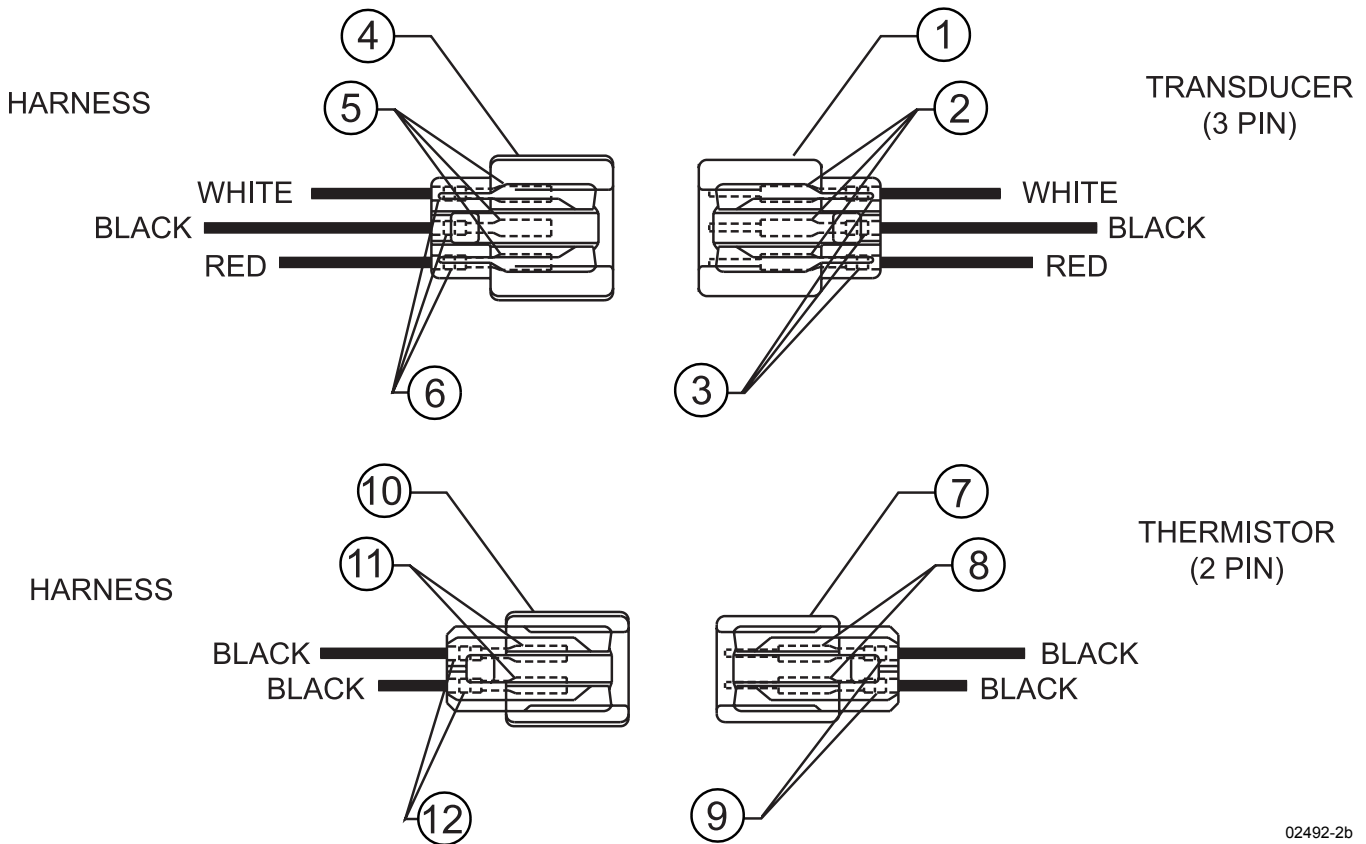
## TRANSDUCERS AND TEMP SENSORS (CONT'D)

**TABLE 18 – TRANSDUCERS AND TEMP SENSORS (SEE FIG. 17, PAGE 70)**

<b>Item #</b>	<b>Quantity</b>	<b>Description</b>	<b>Volt- age Code</b>	<b>Part Number</b>
<b>1<sup>s</sup></b>	1	Sensor, Outside Air Temperature (Not Shown)	All	025-28663-001
<b>2</b>	2	Sensor, Water Temp. (EWT, LWT)	All	025-29964-000
<b>5</b>	-	Compound, Heat Conductive	All	013-00898-000
<b>6<sup>s</sup></b>	1 per system	Transducer, Suction Pressure (0-200psi)	All	025-29583-000
<b>7<sup>s</sup></b>	2 per system	Transducer, Discharge Pressure (0-400psi)	All	025-29139-001
<b>8</b>	1 per system	Sensor, EEV Suction Temperature	All	025-28935-000
<b>9</b>	1 per system	Oil Temperature Sensor	All	025-30440-000
<b>10</b>	1 per system	Discharge Temperature Sensor	All	025-32924-000

<sup>s</sup> Recommended Spare Part

# TRANSDUCER AND THERMISTOR WIRE HARNESS CONNECTORS - FIELD REPLACEMENT PART NUMBERS



02492-2b

**FIG. 18** – TRANSDUCER AND THERMISTOR WIRE HARNESS CONNECTORS - FIELD REPLACEMENT PART NUMBERS (REF. TABLE 19, PAGE 73)

## TRANSDUCER AND THERMISTOR WIRE HARNESS CONNECTORS - FIELD REPLACEMENT PART NUMBERS (CONT'D)

**TABLE 19 – TRANSDUCER AND THERMISTOR WIRE HARNESS CONNECTORS  
- FIELD REPLACEMENT PART NUMBERS (SEE FIG. 18, PAGE 72)**

Item No.	Location	Description	Pins	Part Number
1	Transducer	Plug Connector	3 Pin End	025-28953-000
2		Contact Pins		025-28949-000
3		Rubber Collar		025-28950-000
4	Wire Harness	Plug Connector	3 Pin End	025-28954-000
5		Contact Pins		025-28952-000
6		Rubber Collar		025-28950-000
7	Transducer	Plug Connector	2 Pin End	025-28948-000
8		Contact Pins		025-28949-000
9		Rubber Collar		025-28950-000
10	Wire Harness	Plug Connector	2 Pin End	025-28951-000
11		Contact Pins		025-28952-000
12		Rubber Collar		025-28950-000

<sup>s</sup> Recommended Spare Part

# YCAS CHILLER OPTIONS – KITS

**TABLE 20 – FIELD INSTALLED OPTIONS PART NUMBERS**

MODEL NUMBER YCAS	VIBRATION ISOLATORS SPRING 1" DEFLEC. ALUMINUM* & BLACK FIN	VIBRATION ISOLATORS SPRING 2" (SEISMIC) ALUMINUM* & BLACK FIN	VIBRATION ISOLATOR PAD 1/2" DEFLEC. NEOPRENE	VIBRATION ISOLATORS SPRING 1" DEFLEC. COPPER*	VIBRATION ISOLATORS SPRING 2" (SEISMIC) COPPER*	VIBRATION ISOLATOR PAD 1/2" DEFLEC. NEOPRENE	BAS/EMS CURRENT RESET / OFFSET	BAS/EMS TEMPERATURE RESET / OFFSET
<b>MODEL #</b>	029-23707	029-23705	029-23706	029-23707	029-23705	029-23706	371-02590	371-02590
<b>0250</b>	-107	-208	-070	-140	-251	-036	-101	-102
<b>0270</b>	-107	-208	-070	-140	-251	-030	-101	-102
<b>0300</b>	-108	-209	-007	-141	-252	-030	-101	-102
<b>0330</b>	-108	-209	-007	-141	-252	-030	-101	-102
<b>0360</b>	-109	-210	-008	-142	-353	-039	-101	-102
<b>0400</b>	-109	-211	-008	-143	-354	-032	-101	-102
<b>0440</b>	-109	-211	-008	-143	-254	-032	-101	-102

\* Note: Condenser Coil Fin Material.

MODEL NUMBER YCAS	MICRO-GATEWAY	STANDARD 150# FLOW SWITCH	OPTIONAL 300# FLOW SWITCH	CHICAGO RELIEF VALVE	RELIEF SAFETY DEVICE KIT	WELD FLANGE KIT	VICTAULIC FLANGE KIT	COMPRESSOR BLANKET KIT
<b>MODEL #</b>	371-04455	024-26116	024-12144	375-31565	375-	375-07023	023-19201	310-
<b>0250</b>	-013	-000	-000	-001	31554-001	-000	-000	06517-000
<b>0270</b>				-002				
<b>0300</b>				-001				
<b>0330</b>				-003				
<b>0360</b>				-005	31555-001			06518-000
<b>0400</b>				-005				
<b>0440</b>				-006				

## ENCLOSURE KIT OPTIONS

**TABLE 21 – ENCLOSURE KIT OPTIONS - TOP AND BOTTOM SECTIONS**  
(SEE FIGS. 19-22, PAGES 76-83)

<b>MODEL NUMBER YCAS-</b>	<b>WIRE ENCLOSURE</b>	<b>LOUVERED ENCLOSURE</b>	<b>WIRE / LOUVERED ENCLOSURE</b>	<b>LOUVERED ENCLOSURE CONDENSER ONLY</b>
<b>0250</b>	475-31584-000	475-31587-000	475-31590-000	475-31593-000
<b>0270</b>	475-31584-000	475-31587-000	475-31590-000	475-31593-000
<b>0300</b>	475-31583-000	475-31586-000	475-31589-000	475-31592-000
<b>0330</b>	475-31583-000	475-31586-000	475-31589-000	475-31592-000
<b>0360</b>	475-31597-000	475-31601-000	475-31605-000	475-31609-000
<b>0400</b>	475-31595-000	475-31599-000	475-31603-000	475-31607-000
<b>0440</b>	475-31595-000	475-31599-000	475-31603-000	475-31607-000



## ENCLOSURE KIT OPTIONS (CONT'D)

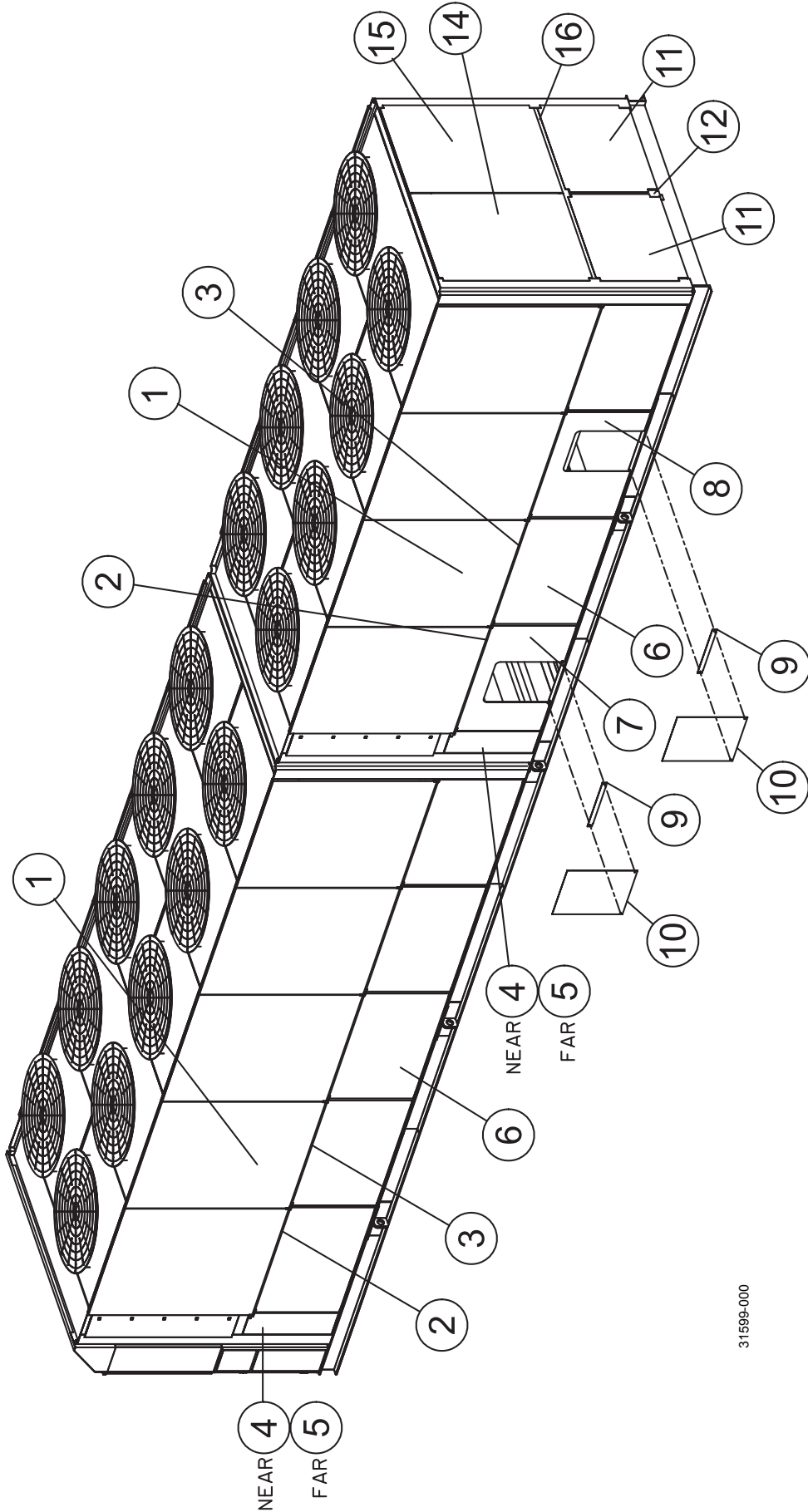
**TABLE 22 – WIRE ENCLOSURE (3 COMPRESSOR) - (SEE FIG. 19, PAGE 76)**

WIRE ENCLOSURE KIT COMPONENTS					
ITEM #	DESCRIPTION	YCAS0250 & YCAS0270		YCAS0300 & YCAS0330	
		475-31584-000	QTY	475-31583-000	QTY
1	Z CHANNEL	075-29588-000	4	075-29588-000	4
2	Z CHANNEL DXST	075-29589-000	8	075-29589-000	10
3	SUPPORT - REAR	075-29590-000	1	075-29590-000	1
4	VANITY PANEL - RH	075-29591-000	2	075-29591-000	2
5	VANITY PANEL - LH	075-29592-000	2	075-29592-000	2
6	REAR PANEL - LH	075-29532-000	1	075-29532-000	1
7	REAR PANEL - RH	075-29533-000	1	075-29533-000	1
8	SUPPORT RAIL	075-25535-000	1	075-25535-000	1
50	WIRE GRILL - CONDENSER	026-36533-000	12	026-36533-000	14
51	WIRE GRILL - BOTTOM	026-36534-000	12	026-36534-000	14
52	WIRE GRILL - BOTTOM REAR	026-36535-000	2	026-36535-000	2

**TABLE 22A – WIRE ENCLOSURE (4 COMPRESSOR) - (SEE FIG. 19, PAGE 76)**

WIRE ENCLOSURE KIT COMPONENTS					
ITEM #	DESCRIPTION	YCAS0360		YCAS0400 & YCAS0440	
		475-31597-000	QTY	475-31595-000	QTY
1	Z CHANNEL	075-29588-000	4	075-29588-000	4
2	Z CHANNEL DXST	075-29589-000	12	075-29589-000	14
3	SUPPORT - REAR	075-29590-000	1	075-29590-000	1
4	VANITY PANEL - RH	075-29591-000	2	075-29591-000	2
5	VANITY PANEL - LH	075-29592-000	2	075-29592-000	2
6	REAR PANEL - LH	075-29532-000	1	075-29532-000	1
7	REAR PANEL - RH	075-29533-000	1	075-29533-000	1
8	SUPPORT RAIL	075-25535-000	1	075-25535-000	1
50	WIRE GRILL - CONDENSER	026-36533-000	16	026-36533-000	18
51	WIRE GRILL - BOTTOM	026-36534-000	16	026-36534-000	18
52	WIRE GRILL - BOTTOM REAR	026-36535-000	2	026-36535-000	2

# ENCLOSURE KIT OPTIONS (CONT'D)



31599-000

**FIG. 20** – LOUVERED ENCLOSURE (3 AND 4 COMPRESSOR UNITS) - YCAS0400 & YCAS0440 SHOWN (REF. TABLES 23 AND 23A, PAGE 79)

## ENCLOSURE KIT OPTIONS (CONT'D)

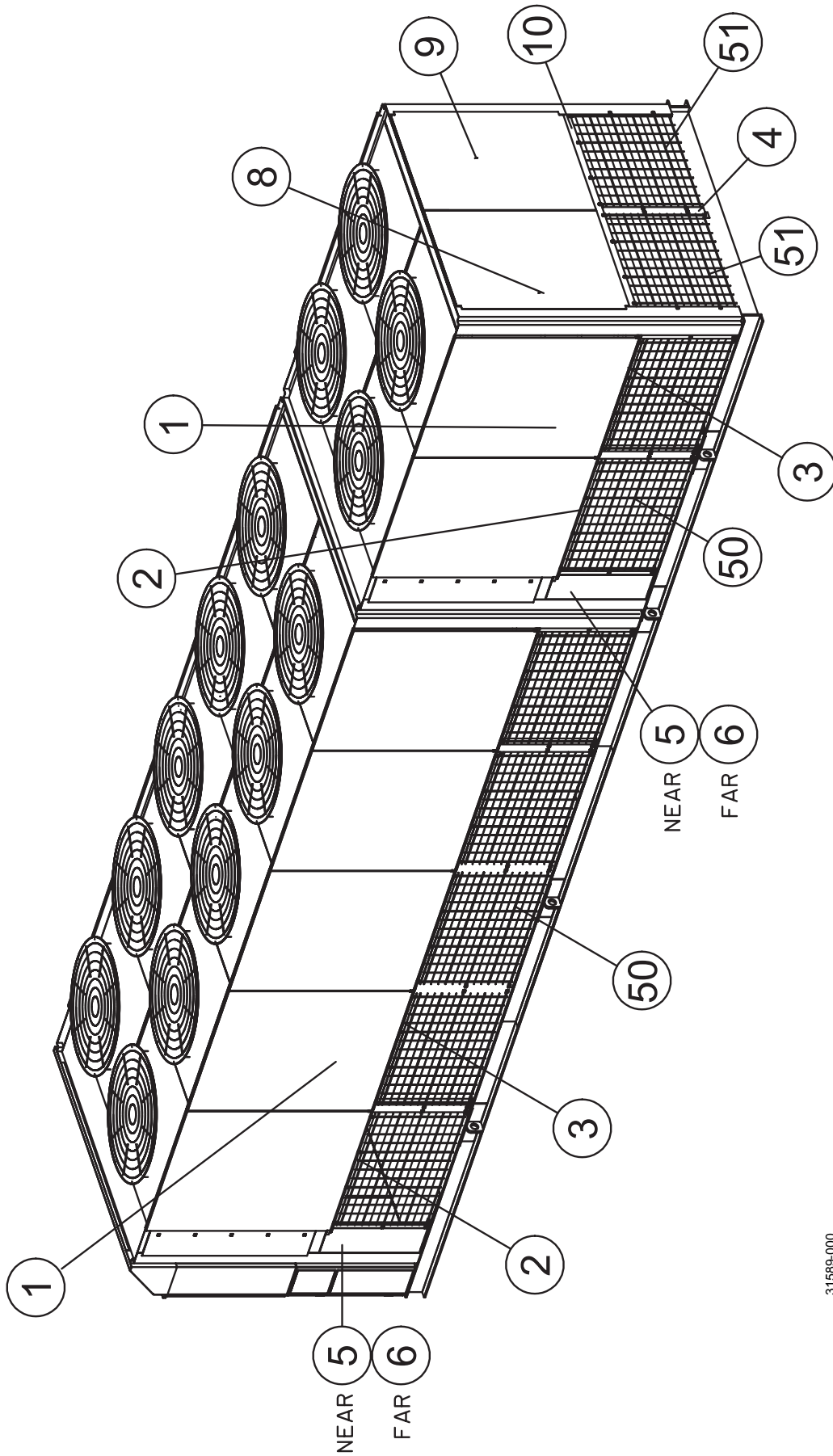
**TABLE 23 – LOUVERED ENCLOSURE (3 COMPRESSOR) - (SEE FIG. 20, PAGE 78)**

LOUVERED ENCLOSURE KIT COMPONENTS					
ITEM #	DESCRIPTION	YCAS0250 & YCAS0270		YCAS0300 & YCAS0330	
		475-31587-000	QTY	475-31586-000	QTY
1	LOUVERED PANEL - TOP	075-29580-000	12	075-29580-000	14
2	Z CHANNEL	075-29588-000	4	075-29588-000	4
3	Z CHANNEL DXST	075-29589-000	8	075-29589-000	10
4	VANITY PANEL - RH	075-29591-000	2	075-29591-000	2
5	VANITY PANEL - LH	075-29592-000	2	075-29592-000	2
6	LOUVERED PANEL - BOTTOM	075-29581-000	10	075-29581-000	12
7	LOUVERED PANEL - BOTTOM	075-31617-000	1	075-31617-000	1
8	LOUVERED PANEL - BOTTOM	075-31618-000	1	075-31622-000	1
9	ANGLE SUPPORT	075-29587-000	2	075-29587-000	2
10	COVER PLATE	075-31619-000	2	075-31619-000	2
11	LOUVERED PANEL - BOTTOM	075-29585-000	2	075-29585-000	2
12	REAR SUPPORT	075-29590-000	1	075-29590-000	1
14	REAR PANEL - LH	075-29532-000	1	075-29532-000	1
15	REAR PANEL - RH	075-29533-000	1	075-29533-000	1
16	SUPPORT RAIL	075-25535-000	1	075-25535-000	1

**TABLE 23A – LOUVERED ENCLOSURE (4 COMPRESSOR) - (SEE FIG. 20, PAGE 78)**

LOUVERED ENCLOSURE KIT COMPONENTS					
ITEM #	DESCRIPTION	YCAS0360		YCAS0400 & YCAS0440	
		475-31601-000	QTY	475-31599-000	QTY
1	LOUVERED PANEL - TOP	075-29580-000	16	075-29580-000	18
2	Z CHANNEL	075-29588-000	4	075-29588-000	4
3	Z CHANNEL DXST	075-29589-000	12	075-29589-000	14
4	VANITY PANEL - RH	075-29591-000	2	075-29591-000	2
5	VANITY PANEL - LH	075-29592-000	2	075-29592-000	2
6	LOUVERED PANEL - BOTTOM	075-29581-000	14	075-29581-000	16
7	LOUVERED PANEL - BOTTOM	075-31617-000	1	075-31617-000	1
8	LOUVERED PANEL - BOTTOM	075-31622-000	1	075-31622-000	1
9	ANGLE SUPPORT	075-29587-000	2	075-29587-000	2
10	COVER PLATE	075-31619-000	2	075-31619-000	2
11	LOUVERED PANEL - BOTTOM	075-29585-000	2	075-29585-000	2
12	REAR SUPPORT	075-29590-000	1	075-29590-000	1
14	REAR PANEL - LH	075-29532-000	1	075-29532-000	1
15	REAR PANEL - RH	075-29533-000	1	075-29533-000	1
16	SUPPORT RAIL	075-25535-000	1	075-25535-000	1

# ENCLOSURE KIT OPTIONS (CONT'D)



31589-000

**FIG. 21** – WIRE / LOUVERED ENCLOSURE (3 AND 4 COMPRESSOR UNITS) - YCAS0300 & YCAS0330 SHOWN (REF. TABLES 24 AND 24A, PAGE 81)

## ENCLOSURE KIT OPTIONS (CONT'D)

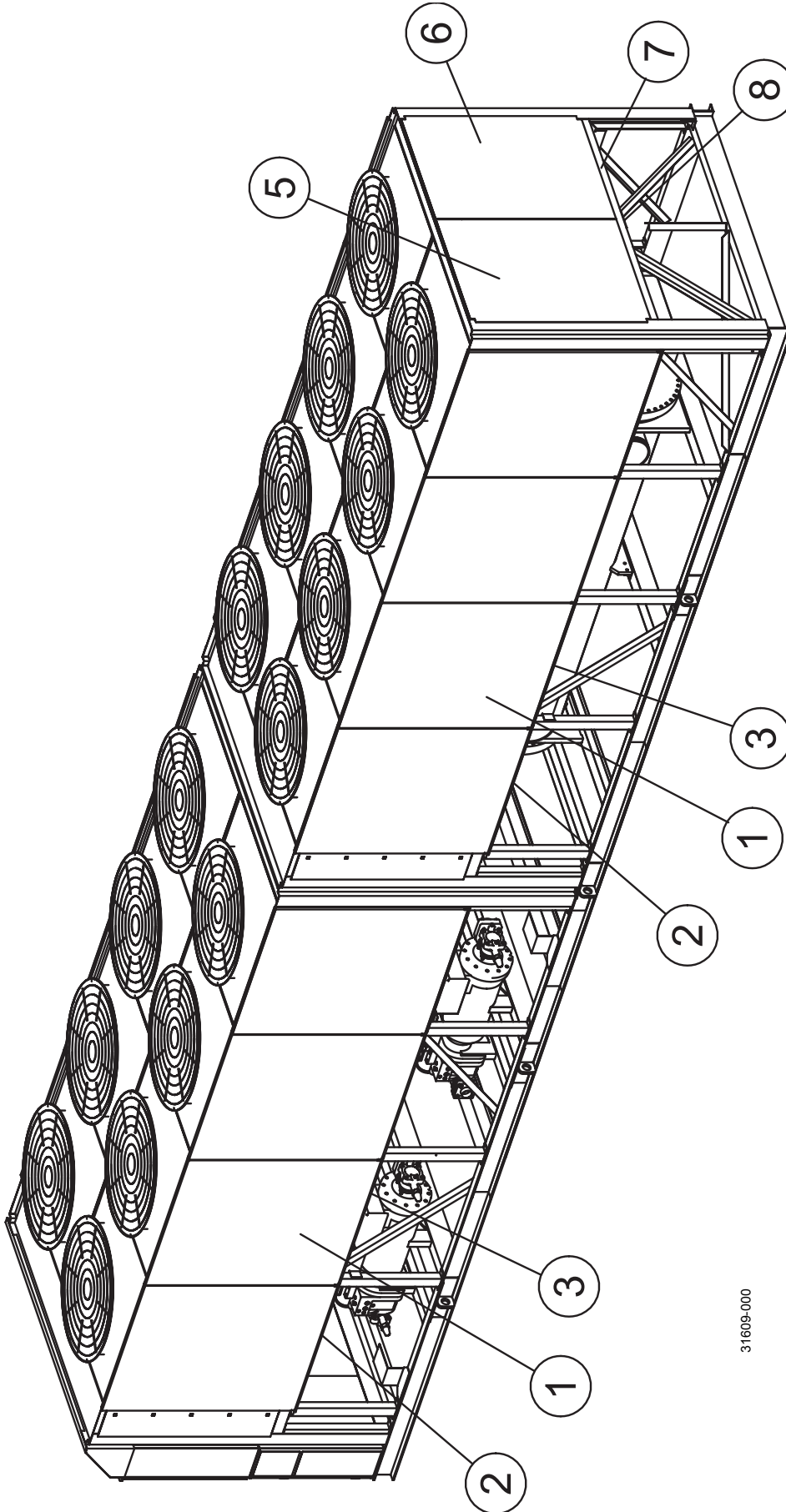
**TABLE 24 – WIRE/LOUVERED ENCLOSURE (3 COMPRESSOR) - (SEE FIG. 21, PAGE 80)**

WIRE/LOUVERED ENCLOSURE KIT COMPONENTS					
ITEM #	DESCRIPTION	YCAS0250 & YCAS0270		YCAS0300 & YCAS0330	
		475-31590-000	QTY	475-31589-000	QTY
1	LOUVERED PANEL - TOP	075-29580-000	12	075-29580-000	14
2	Z CHANNEL	075-29588-000	4	075-29588-000	4
3	Z CHANNEL DXST	075-29589-000	8	075-29589-000	10
4	REAR SUPPORT	075-29590-000	1	075-29590-000	1
5	VANITY PANEL - RH	075-29591-000	2	075-29591-000	2
6	VANITY PANEL - LH	075-29592-000	2	075-29592-000	2
8	REAR PANEL - LH	075-29532-000	1	075-29532-000	1
9	REAR PANEL - RH	075-29533-000	1	075-29533-000	1
10	SUPPORT RAIL	075-25535-000	1	075-25535-000	1
50	WIRE GRILL - BOTTOM	026-36534-000	12	026-36534-000	14
51	WIRE GRILL - BOTTOM REAR	026-36535-000	2	026-36535-000	2

**TABLE 24A – WIRE/LOUVERED ENCLOSURE (4 COMPRESSOR) - (SEE FIG. 21, PAGE 80)**

WIRE/LOUVERED ENCLOSURE KIT COMPONENTS					
ITEM #	DESCRIPTION	YCAS0360		YCAS0400 & YCAS0440	
		475-31605-000	QTY	475-31603-000	QTY
1	LOUVERED PANEL - TOP	075-29580-000	16	075-29580-000	18
2	Z CHANNEL	075-29588-000	4	075-29588-000	4
3	Z CHANNEL DXST	075-29589-000	12	075-29589-000	14
4	REAR SUPPORT	075-29590-000	1	075-29590-000	1
5	VANITY PANEL - RH	075-29591-000	2	075-29591-000	2
6	VANITY PANEL - LH	075-29592-000	2	075-29592-000	2
8	REAR PANEL - LH	075-29532-000	1	075-29532-000	1
9	REAR PANEL - RH	075-29533-000	1	075-29533-000	1
10	SUPPORT RAIL	075-25535-000	1	075-25535-000	1
50	WIRE GRILL - BOTTOM	026-36534-000	16	026-36534-000	18
51	WIRE GRILL - BOTTOM REAR	026-36535-000	2	026-36535-000	2

# ENCLOSURE KIT OPTIONS (CONT'D)



**FIG. 22** – LOUVERED ENCLOSURE COONDENSER ONLY (3 AND 4 COMPRESSOR UNITS) - YCAS0360 SHOWN (REF. TABLES 25 AND 25A, PAGE 83)

## ENCLOSURE KIT OPTIONS (CONT'D)

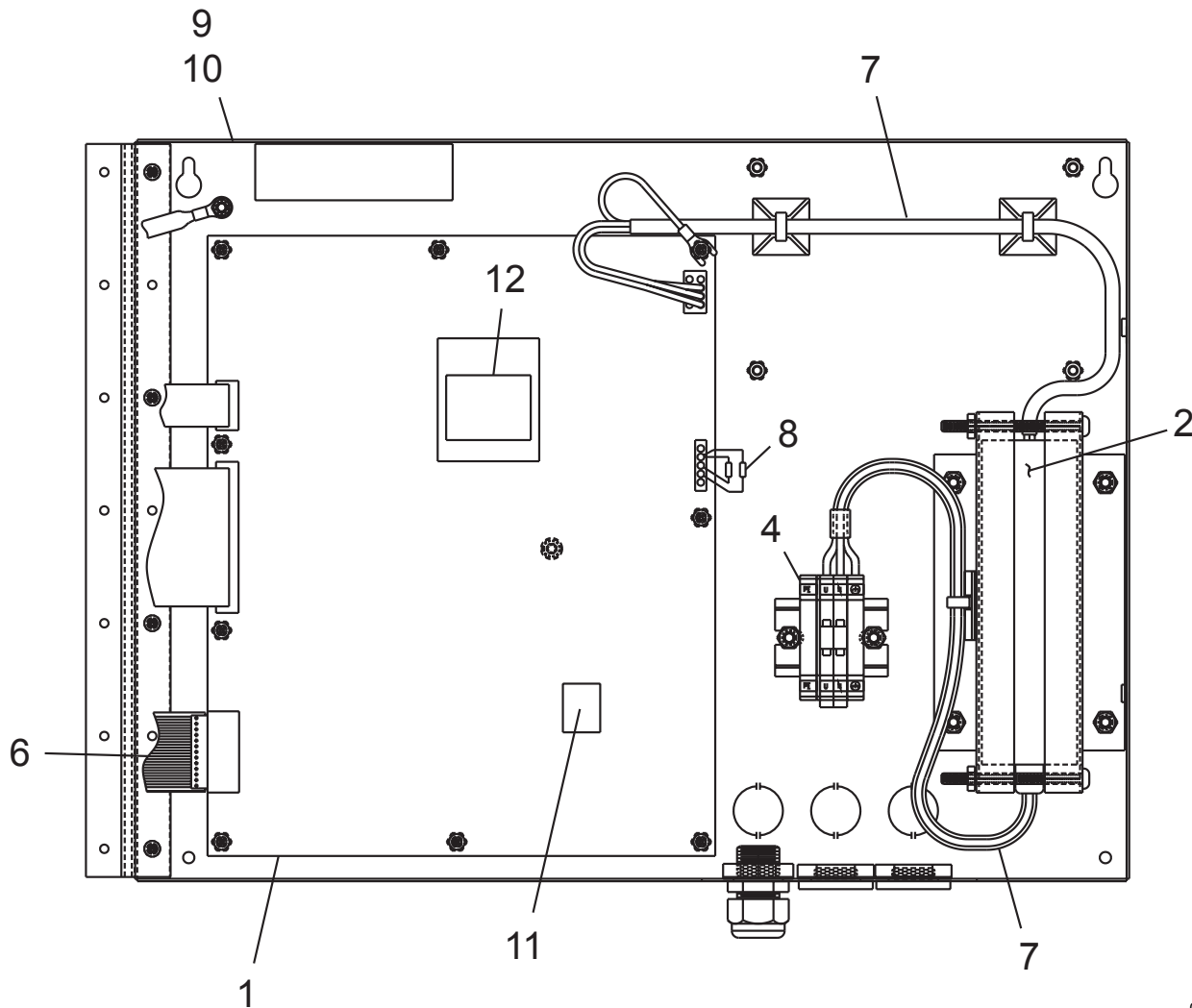
**TABLE 25** – LOUVERED ENCLOSURE CONDENSER ONLY (3 COMPRESSOR) - (SEE FIG. 22, PAGE 82)

LOUVERED (CONDENSER ONLY) ENCLOSURE KIT COMPONENTS					
ITEM #	DESCRIPTION	YCAS0250 & YCAS0270		YCAS0300 & YCAS0330	
		475-31593-000	QTY	475-31592-000	QTY
1	LOUVERED PANEL - TOP	075-29580-000	12	075-29580-000	14
2	Z CHANNEL	075-29588-000	4	075-29588-000	4
3	Z CHANNEL DXST	075-29589-000	8	075-29589-000	10
5	REAR PANEL - LH	075-29532-000	1	075-29532-000	1
6	REAR PANEL - RH	075-29533-000	1	075-29533-000	1
7	SUPPORT RAIL	075-25535-000	1	075-25535-000	1
8	COVER PLATE	075-39535-000	1	075-29535-000	1

**TABLE 25A** – LOUVERED ENCLOSURE CONDENSER ONLY (4 COMPRESSOR) - (SEE FIG. 22, PAGE 82)

LOUVERED (CONDENSER ONLY) ENCLOSURE KIT COMPONENTS					
ITEM #	DESCRIPTION	YCAS0360		YCAS0400 & YCAS0440	
		475-31609-000	QTY	475-31607-000	QTY
1	LOUVERED PANEL - TOP	075-29580-000	16	075-29580-000	18
2	Z CHANNEL	075-29588-000	4	075-29588-000	4
3	Z CHANNEL DXST	075-29589-000	12	075-29589-000	14
5	REAR PANEL - LH	075-29532-000	1	075-29532-000	1
6	REAR PANEL - RH	075-29533-000	1	075-29533-000	1
7	SUPPORT RAIL	075-25535-000	1	075-25535-000	1
8	COVER PLATE	075-39535-000	1	075-29535-000	1

# OPTIVIEW REMOTE CONTROL CENTER



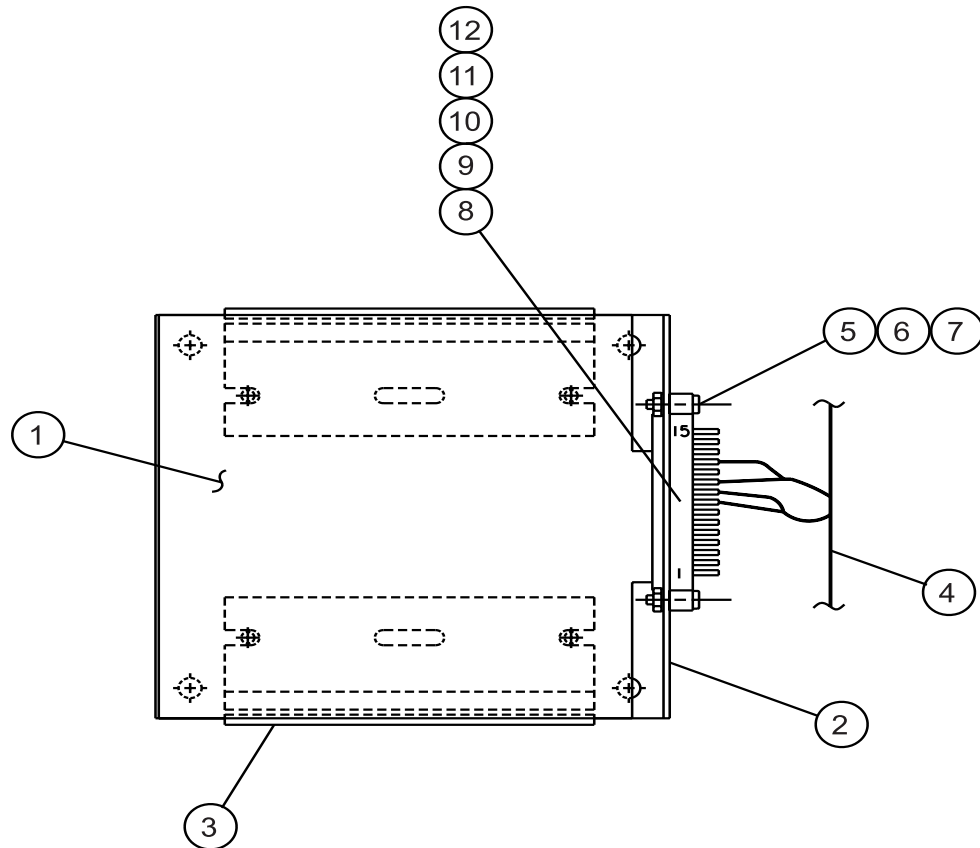
02750-3A

**FIG. 23 – OPTIVIEW REMOTE CONTROL CENTER**

**TABLE 26 – OPTIVIEW REMOTE CONTROL CENTER PARTS - 371-02750-101**

ITEM NUMBER	QTY	DESCRIPTION	PART NUMBER
1	1	MICROPROCESSOR BOARD	031-01730-002
2	1	POWER SUPPLY ASSEMBLY	371-02750-411
3	1	KEYPAD (NOT SHOWN)	024-30974-001
4	1	TERMINAL BLOCK	025-35120-000
5	1	DISPLAY (NOT SHOWN)	331-02053-000
6	1	RIBBON CABLE	031-02056-000
7	1	WIRE CABLE	571-02750-421
8	8	LAN TRANSIENT PROTECTION MODULE	031-01586-000
9	1	COVER, REMOTE CONTROL	371-02750-311
10	1	BASE, REMOTE CONTROL	071-02485-320
11	1	EPROM	031-01796-002
12	1	FLASH MEMORY CARD	031-02057-001

# REMOTE CURRENT/TEMPERATURE RESET PARTS BREAKDOWN



LD05256

**FIG. 24 – REMOTE CURRENT/TEMPERATURE RESET COMPONENTS**

**TABLE 27 – REMOTE CURRENT OR TEMPERATURE RESET KIT NUMBER 375-90914-000**

ITEM NUMBER	QTY	DESCRIPTION	PART NUMBER
1	1	CONTROL, REMOTE CURRENT/TEMPERATURE	031-00814-000
2	1	BRACKET, REMOTE CURRENT/TEMPERATURE RESET	371-01232-361
3	1	TRACK, SNAP	071-01232-363
4	1	WIRING, REMOTE CURRENT/ TEMPERATURE RESET	571-02492-231*
5	2	SCREW, MACHINE PAN HEAD #4	021-17594-000
6	2	NUT, HEX #4-40UNC-2B	021-10056-000
7	2	LOCKWASHER, HELICAL SPRING #4 REG.	021-17576-000

\* Refer to **Table 25A**

**TABLE 25A – REMOTE RESET WIRING**

ITEM NUMBER	QTY	DESCRIPTION	PART NUMBER
8	2	CONTROL, SOC AWG WIRE SIZE 20	025-19674-000
9	2	TERMINAL PUSH ON STRAIGHT	025-06642-000
10	4	TUBING HEAT SHRINKABLE 1/8 ID	025-29632-000
11	1	HGS CONNECTOR ELECTRICAL PLUG	025-32564-000*
12	1	CONNECTOR EDGE, 15 POSITION, 0.125	025-29631-000

# RECOMMENDED SPARE PARTS

York Model YCAS Style G Air Cooled Screw Chillers  
Suggested Spare Parts List for Critical Duty Applications

**TABLE 28 – RECOMMENDED SPARE PARTS - YCAS0250-YCAS0440 CHILLERS**

PAGE REF. & ITEM NUMBER	DESCRIPTION	MODEL NUMBER YCAS	PART NUMBER
Page 14, Item 1	Fan Motor (Standard)	-40	024-30900-004
		-46	024-30900-001
		-58	024-30900-003
Page 14, Item 1	Fan Motor (Low Noise)	-40	024-30933-004
		-46	024-30933-001
		-58	024-30933-003
Page 15, Item 1	Fan Motor (High Static)	-40	024-24604-001
		-46	024-24604-001
		-58	024-24758-000
Page 14, Item 2	Fan Blade (Standard)	All	026-41594-000
	Fan Blade (Low Noise)		026-41596-000
Page 15, Item 2	Fan Blade (High Static)	All	026-41598-000
Page 18 and 21, Item 1	Valve, Electronic Expansion	See Tables 4 and 5	025-37857-000
Page 18 and 21, Item 5	Core, Dehydrator	All	026-37540-000
Page 30, Item 25	Element, Oil Filter	All	026-35601-000
Page 30, Item 26	O-Ring 2 - 152	All	028-13849-000
Page 30, Item 31	Valve, Capacity Control	All	025-33205-000
Page 31, Item OIL	Oil, Compressor (Type 'L')	R-22	011-00592-000
		407-C	
Page 35, Item 1	Microboard	All	031-01095-002
Page 35, Item 16	EPROM	All	031-01798-002
Page 39-54, Item 1G	Motor Protector	All	024-30907-000
Page 65, Item 2B	Fan Contactor	380V-575V	025-34300-000
		200V-230V	025-34302-000
Page 65, Item 2F	Fan Overload	6.3 Amp	024-33168-000
		9.0 Amp	024-33169-000
		12.0 Amp	024-33178-000
Page 71, Item 1	Sensor, Outside Air Temperature	All	025-28663-001
Page 71, Item 6	Transducer, Suction Pressure (0-200psi)	All	025-29583-000
Page 71, Item 7	Transducer, Discharge Pressure (0-400psi)	All	025-29139-001

All parts should be purchased from your local YORK  
Sales and Service Center.

*This page intentionally left blank*

