	Form Number 201.18-RP3 (LS01)	1202
	Supercedes: None	
LITERATURE SUPPLEMENT	File with: 201.18-RP3 (701)	
Subject: Louvered Enclosure Parts Breakdown part number corrections (See page 60)		

NOTE: The pages contained within this supplement may be substituted for pages in 201.18-RP3 (701)

MODELS YCAS0250, 0270, 0300 and YCAS0330 60 HERTZ

Revised part numbers from Table 26 - Louvered Enclosure Parts Breakdown (See page 60).



200-3-60
230-3-60
315-3-60
460-3-60
575-3-60
MODELS ONLY

LOUVERED ENCLOSURE PARTS BREAKDOWN

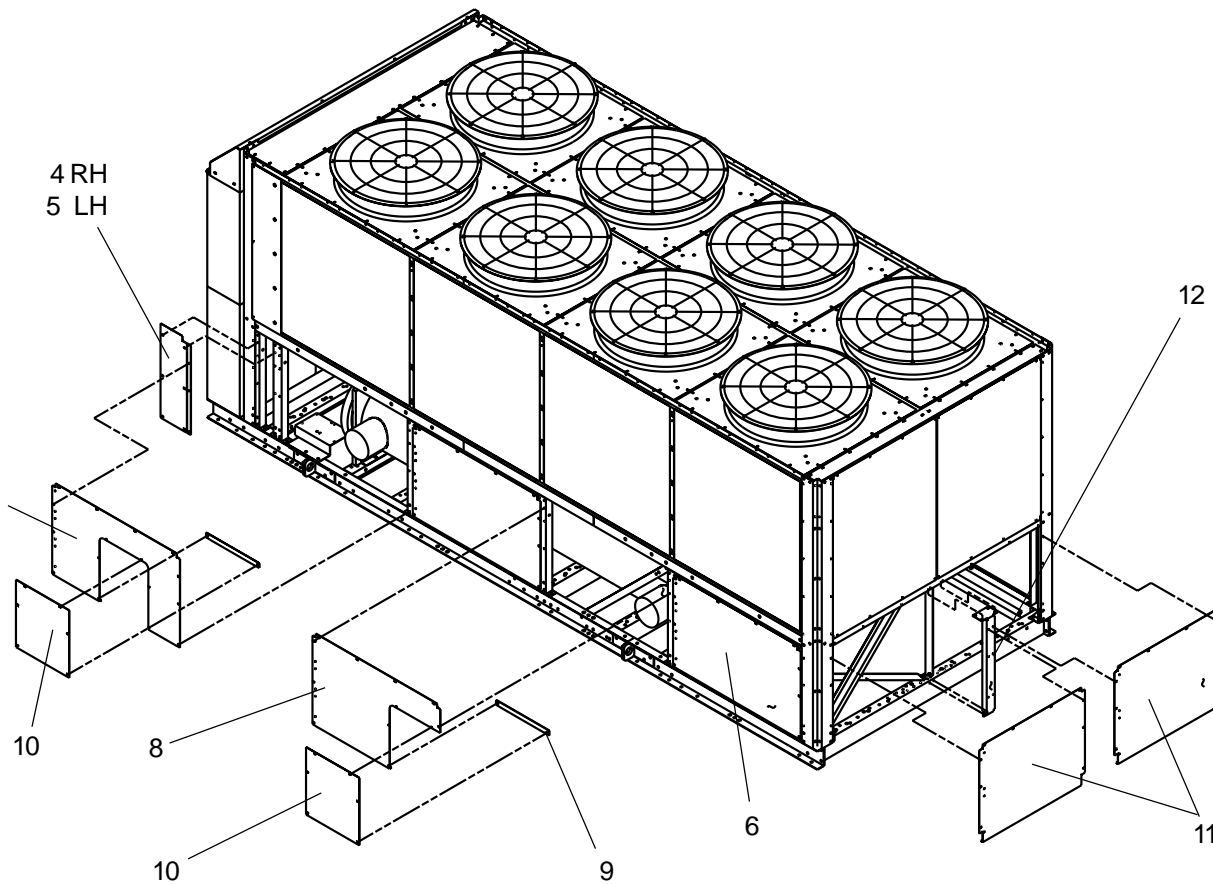
TABLE 26 – LOUVERED ENCLOSURE PARTS BREAKDOWN

Kit Components			
Ref. number	Quantity	Description	Part number
1	12*	PANEL LOUVER TOP	075-29580-000
2	4	Z CHANNEL	075-29588-000
3	8***	Z CHANNEL DXST	075-29589-000
4	2	PANEL VANITY RH	075-29591-000
5	2	PANEL VANITY LH	075-29592-000
6	10**	PANEL LOUVER LOWER	075-29581-000
7	1	PANEL LOUVER BOTTOM	075-31617-000
8	1	PANEL LOUVER BOTTOM	075-31618-000
9	2	ANGLE SUPPORT	075-29587-000
10	2	COVER PLATE	075-31619-000
11	2	PANEL LOUVER	075-29585-000
12	1	REAR SUPPORT	075-29590-000

* Quantity is 14 for the YCAS0300 AND YCAS0330

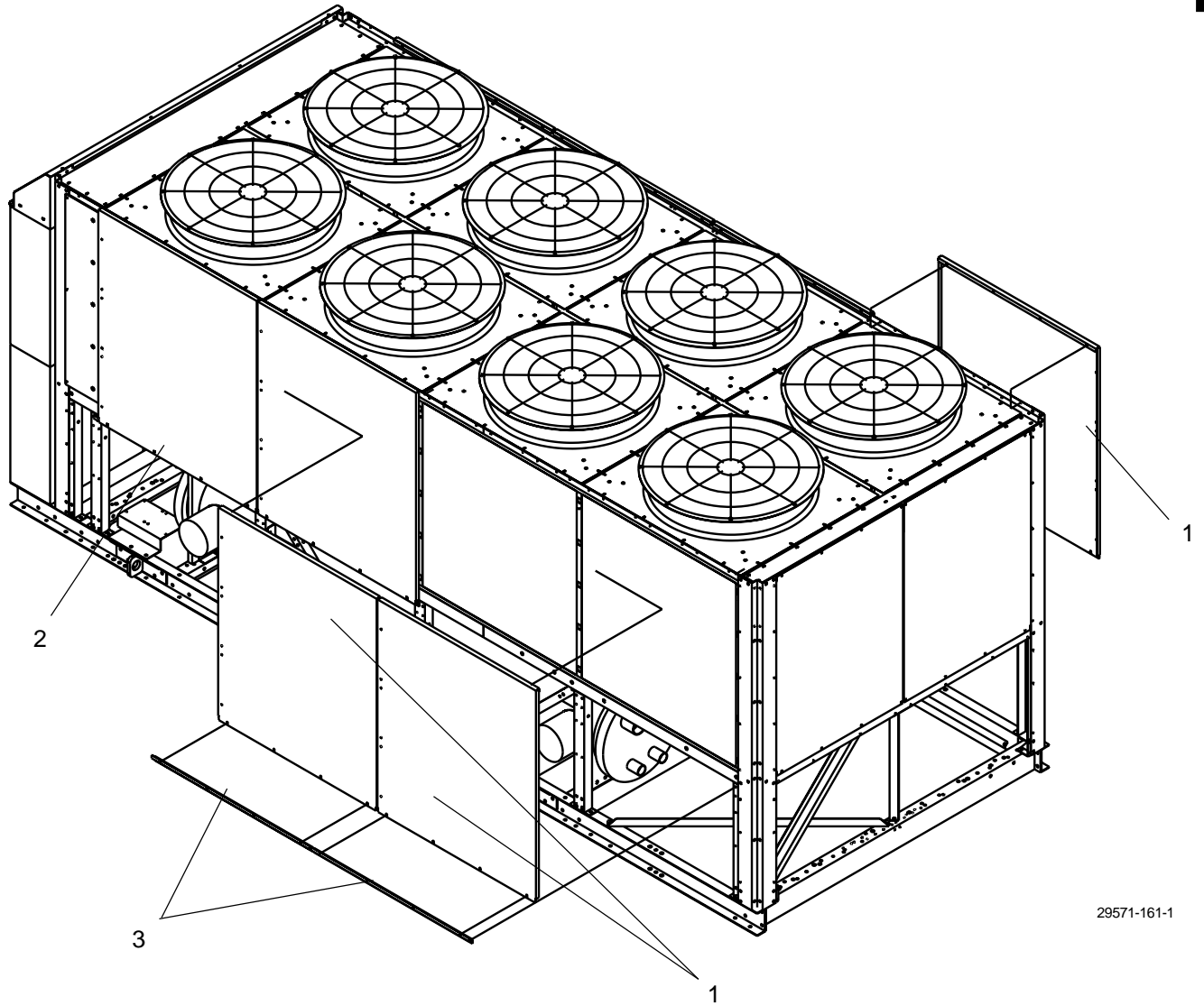
** Quantity is 12 for the YCAS0300 AND YCAS0330

*** Quantity is 10 for the YCAS0300 AND YCAS0330


FIG. 31 – LOUVERED ENCLOSURE - 16'-0" KIT IS SHOWN.

29571-161-1

LOUVERED ENCLOSURE PARTS BREAKDOWN - CONT'D



29571-161-1

FIG. 32 – LOUVERED ENCLOSURE - CONT'D - 16'-0" KIT IS SHOWN.

