



**MODEL YS (STYLE E)  
SCREW LIQUID CHILLERS**

**RENEWAL PARTS**

Supersedes: See Back Cover

Form 160.80-RP3 (201)

**OPTIVIEW™ CONTROL CENTER**

**371-02459-101 (Electro-Mechanical Starter - NEMA 1)**

**371-02579-101 (Electro-Mechanical Starter - CE)**

**371-02578-101 (Electro-Mechanical Starter - NEMA 4/12)**

**371-02459-102 (Solid State Starter - NEMA 1)**

**371-02579-102 (Solid State Starter - CE)**

**371-02578-102 (Solid State Starter - NEMA 4/12)**

**MODEL YS  
(STYLE E)**



ITEM	DESCRIPTION	FIG. NO.	QTY.	PART NO.
1	TERMINAL BLOCK (NEMA 1, 4, 12) (CE)	2	1	025-33290-000
		2		025-34121-000
2	INPUT/OUTPUT BOARD	2	1	031-01743-001
3	MICROPROCESSOR BOARD (Note 2) *Includes Microprocessor Board 031-01730-000 and latest version of Flash Memory Card 031-02005-001.	2	1	331-01730-603
4	POWER SUPPLY	2	1	025-34111-000
5	NOT USED			
6	KEYPAD (NEMA 1) (NEMA 4/12 & CE)	1	1	024-27840-001
		1		024-27840-007
7	FUSE, 5A (1FU)	7	1	025-14019-000
8	FASTENER, PAWL, ADJUSTABLE (NEMA 1)	1	1	021-17252-000
9	SWITCH ROCKER (NEMA 1)	1	1	024-23143-000
10	DISPLAY KIT (Note 1)	1	1	331-01771-000
11	COVER, DISPLAY	6	1	071-02264-346
12	CABLE, RIBBON (NEMA 1) (NEMA 4/12 & CE)	6	1	031-01772-000
		6		031-02015-000
13	CABLE, RIBBON	2	1	031-01779-000
14	EPROM, BIOS (U45) REVISION "D" AND EARLIER MICROBOARDS ONLY ANY REVISION MICROBOARD * <b>IMPORTANT!</b> Flash Memory Card version C.MLM.03.00 <b>CANNOT</b> be used with this Eprom. The chiller will not run with this combination. The Flash Memory Card must be upgraded to version C.MLM.03.01 or later (ie; .02, .03, etc.). Refer to Item 20.	2	1	031-01796-001 031-01796-002*
15	FUSEHOLDER (For Item 16)	7	1	025-13991-000
16	FUSE, 15A (2FU)	7	1	025-14384-000
17	FUSEHOLDER (For Item 7 and 19)	7	1	025-13991-000
18	CABLE, RIBBON [EM START & S.S.S. (MOD. A) ONLY]	3	1	031-01799-000
19	FUSE, 2A (3FU)	—	—	025-33116-000
20	FLASH MEMORY CARD, PROGRAMMED (U46). Refer to Note 5 for version analysis. VERSION C.MLM.03.02.101 Allows Display Screens to be displayed in English, Chinese Traditional, Chinese Simplified, French, Spanish, or Portuguese language. Supplied in new NEMA 1-4 OptiView Control Centers, but can be installed in any OptiView Control Center. VERSION C.MLM.03.02.201 Allows Display Screens to be displayed in English, French, Italian, German or Hungarian language. Supplied in new CE OptiView Control centers, but can be installed in any OptiView Control Center.	2	1	031-02005-001  031-02005-002
21	SWITCH, KNOB SELECTOR (NEMA 4/12, CE)	5	1	024-30931-000
22	CONTACT BLOCK (NEMA 4/12, CE)	5	2	024-30932-000
23	BUSS BAR (GROUND) (NEMA 4/12, CE)	8	1	025-34122-000
24	SUPPRESSOR (Note 3)		6	031-00808-000
25	CONTROL, CURRENT MOD. CM-2 (Electro-Mech. Starter App. Only)	3	1	031-00947-000
26	DIODE BRIDGE (Electro-Mechanical Starter App. Only)	3	1	031-00210-000
27	RESISTOR, VARIABLE (Electro-Mechanical Starter App. Only)	3	2	025-20789-000
28	IC, BRAM-U52	2	1	031-02028-000
29A	TRANSDUCERS CONDENSER, OIL, FILTER OIL, SEAL OIL			025-28678-006
29B	EVAPORATOR – R134a, WATER & BRINE			025-28678-112

ITEM	DESCRIPTION	FIG. NO.	QTY.	PART NO.
29C	– R22 WATER			025-28678-113
29D	– R22 BRINE			025-28678-114
	ALL TRANSDUCERS SUPPLIED WITH O-RINGS			
29E	SEAL, O-RING, FOR ITEMS 29A thru 29D			028-12961-002
30A	THERMISTORS ENTERING CHILLED WATER TEMPERATURE			025-29964-000
30B	LEAVING CHILLED WATER TEMPERATURE			025-29964-000
30C	SENSOR WELL WITH THREADED TOP			026-32328-000
30D	ENTERING CONDENSER WATER TEMPERATURE			025-28935-000
30E	LEAVING CONDENSER WATER TEMPERATURE			025-28935-000
30F	OIL TEMPERATURE (Straight threads with O-Ring)			025-31301-000
30G	DISCHARGE TEMP. (Straight threads with O-Ring)			025-31301-000
30H	SEAL, O-RING FOR ITEMS 30F & 30G			028-12961-004
31	CIRCUIT BREAKER, POLE, 6A (CE)	8	1	024-30935-000
32	SWITCH, DISCONNECT (CE)	8	1	024-34171-000
33	CIRCUIT BREAKER, 25A (CE)	8	1	024-30956-000
34	CIRCUIT BREAKER 16A (CE)	8	1	024-30947-000
35	CIRCUIT BREAKER (CE)	8	1	024-30936-000
36	MOUNT, ANTI-VIBRATION	2	4	021-19191-000
37	BACKLIGHT BULB	9	1	See Note 4
38	BACKLIGHT INVERTER BOARD	9	1	See Note 4
39	BACKLIGHT INVERTER BOARD RIBBON CABLE	9	1	See Note 4
40	DISPLAY INTERFACE BOARD	9	1	See Note 4
41	DISPLAY INTERFACE BOARD RIBBON CABLE	9	1	031-01769-000
42	STRIP, NEOPRENE	9	2.8 FT	028-07533-000
43	MICROGATEWAY (OPTIONAL)	2	1	025-02039-000
44	ANALOG INPUT/OUTPUT BOARD (OPTIONAL)	2	1	371-02514-000
45	EVAPORATOR REFRIGERANT TEMPERATURE SENSOR		1	025-34159-000
46	EPROM, MICROGATEWAY	2	1	See 450.00-RP1
47	FUSE, F1 & F2, 5 AMP (Rev "E" and later Microboards only)			025-34592-000
48	FUSE, 5A (4FU, 6FU)	7	2	025-15759-000
49	FUSE, 4A (5FU)	7	1	025-34566-000
50	FUSEHOLDER, (For Items 48 & 49)	7	1	025-34565-000

**NOTES:**

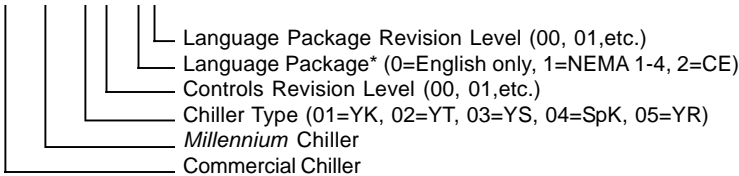
- The replacement Liquid Crystal Display supplied by YORK might not be by the same manufacturer as the original Display. Each Display requires a specific Display Interface Board (Item 40), Backlight Inverter Board (Item 38), and Backlight Inverter Board ribbon cable (Item 39). Therefore, the Liquid Crystal Display is not available separately. **Service replacement Displays or supporting components must not be arbitrarily selected! Non-compatibility of components will result in incorrect operation!** To assure compatible supporting components, the Display is supplied as a kit (331-01771-000), which contains a replacement Display and all compatible supporting components on a mounting plate. For future reference, a label attached to the side of the mounting plate (Fig. 9) lists the YORK part numbers of these compatible components and the required configuration of the Microboard Program Jumpers. These Program Jumpers must be configured for this Display by a qualified Service Technician following instructions in YORK Service manual 160.80-M1. The contents of the kit are as follows:
  - Liquid Crystal Display
  - Backlight Bulb (Item 37)
  - Appropriate Display Interface Board (Item 41) for Display
  - Appropriate Display Interface Board ribbon cable (Item 41) for Item 40.
  - Appropriate Backlight Inverter Board (Item 38) for Display.
  - Appropriate Backlight Inverter Board ribbon cable (Item 39) for Item 40.
  - All mounting hardware.
  - Installation instructions.
- Replacement Microboards that are revision "A" through "D" are supplied without BIOS Eeprom (U45) or BRAM (U52). Remove these devices from defective board and use them in replacement board. Use Flash Memory Card 031-02005-001 supplied with replacement board or 031-02005-002 (any version; available after October, 2000).

Replacement Microboards that are revision "E" and later are supplied with BIOS Eprom (U45) but without BRAM (U52). Remove the BRAM from the defective board and use in replacement board. Use Flash Memory Card 031-02005-001 supplied with replacement board or 031-02005-002 (any version; available after October, 2000). **IMPORTANT!** Revision "E" (and later) boards require BIOS Eprom 031-01796-002 (supplied with revision "E" and later boards). If Flash Memory Card 031-02005-001 is used, it **MUST** be version C.MLM.03.01 or later (ie; .02, .03, etc.). The latest version of this Memory Card is supplied with the replacement board. The chiller will not run with C.MLM.03.00 in a revision "E" board.

Return all unused Flash Memory Cards with Warranty return boards.

3. Suppressors are shipped in cloth bag. They are applied at solenoids and relays located on chiller.
4. Refer to label (Fig. 9) on Display mounting plate for YORK part number of applicable replacement part. **Service replacement Display supporting components must not be arbitrarily selected! Non-compatibility of components will result in incorrect operation!**
5. Flash Memory Card version analysis:

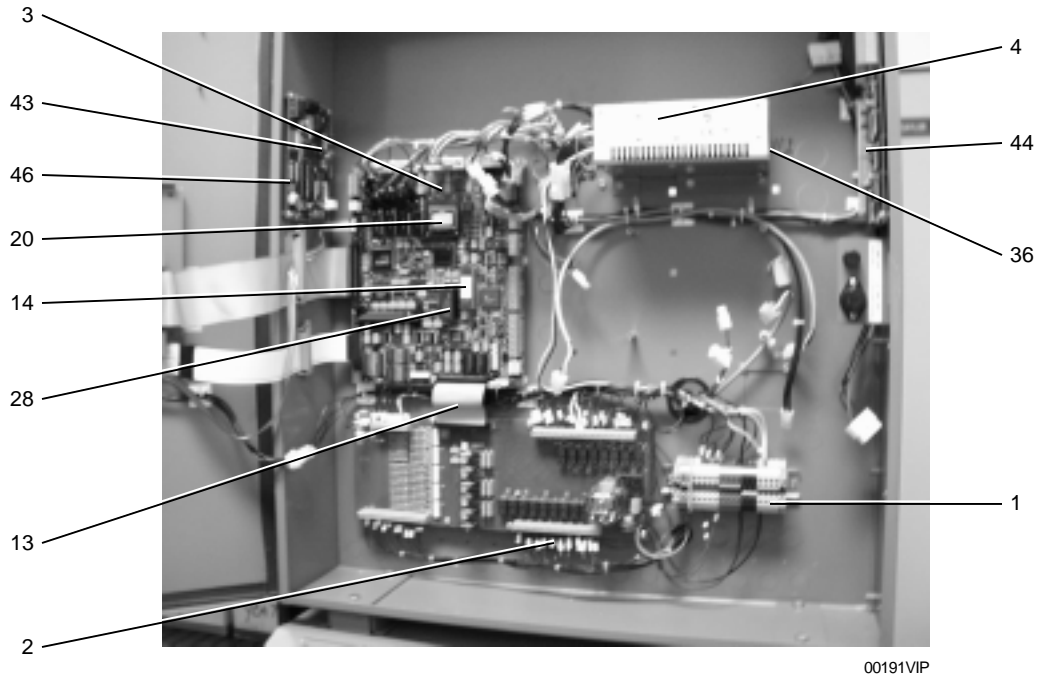
C.MLM.nn.nn.nnn



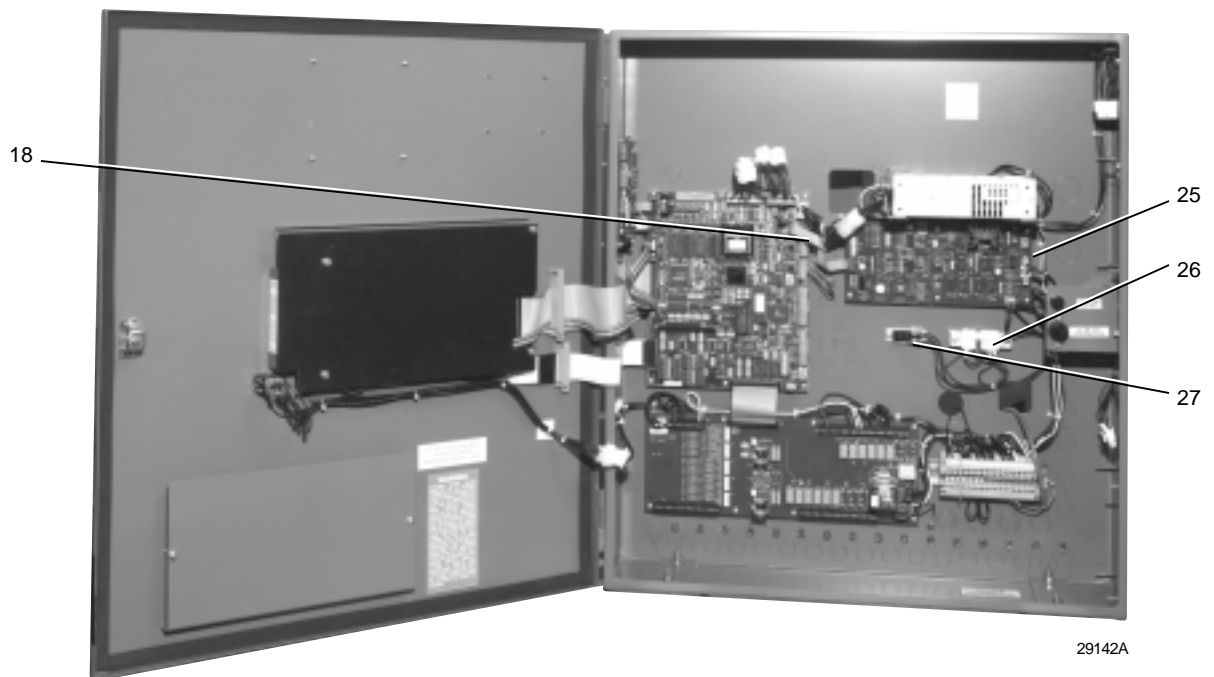
\*1 = Supplied in new NEMA 1-4 OptiView Control Centers but can be installed in any OptiView Control Center.  
 2 = Supplied in new CE (European Community) OptiView Control Centers but can be installed in any OptiView Control Center.



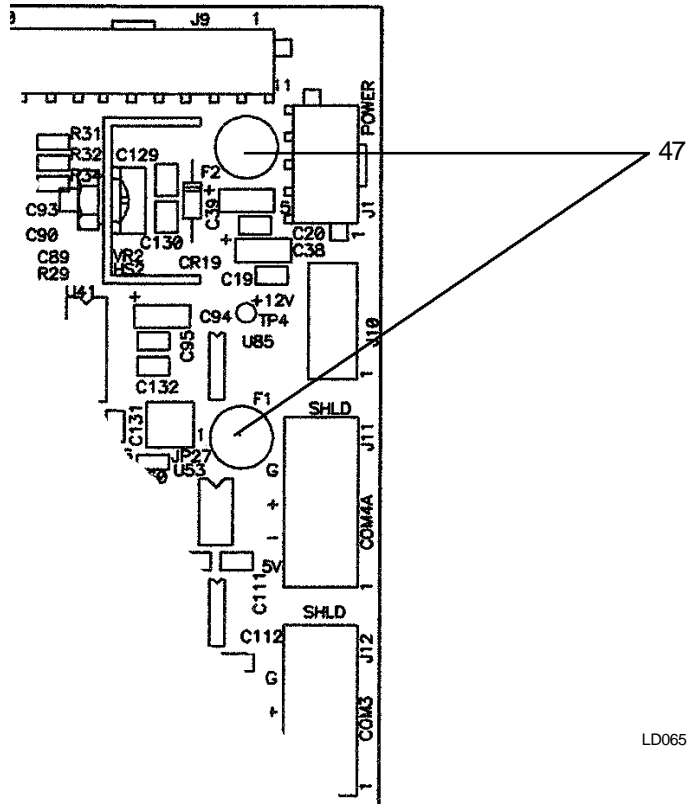
**FIG. 1 – FRONT OF OPTIVIEW CONTROL CENTER**



**FIG. 2 – INSIDE OF CONTROL CENTER**

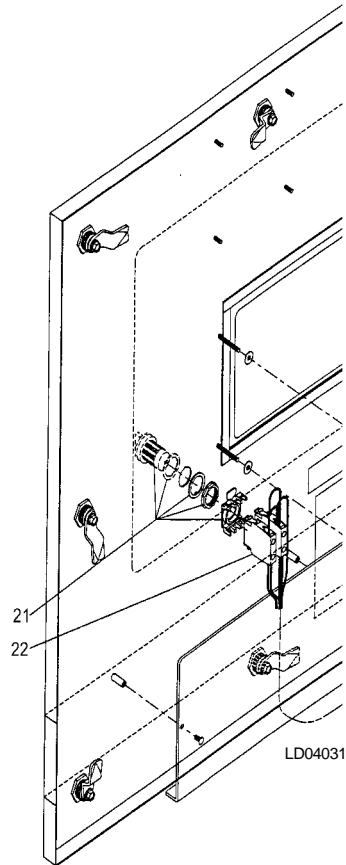


**FIG. 3 – EM STARTER**



LD06521

FIG. 4 – REVISION "E" AND LATER MICROBOARD (Ref. Item 3)



LD04031

FIG. 5 – INSIDE OF DOOR - NEMA 4/12, CE

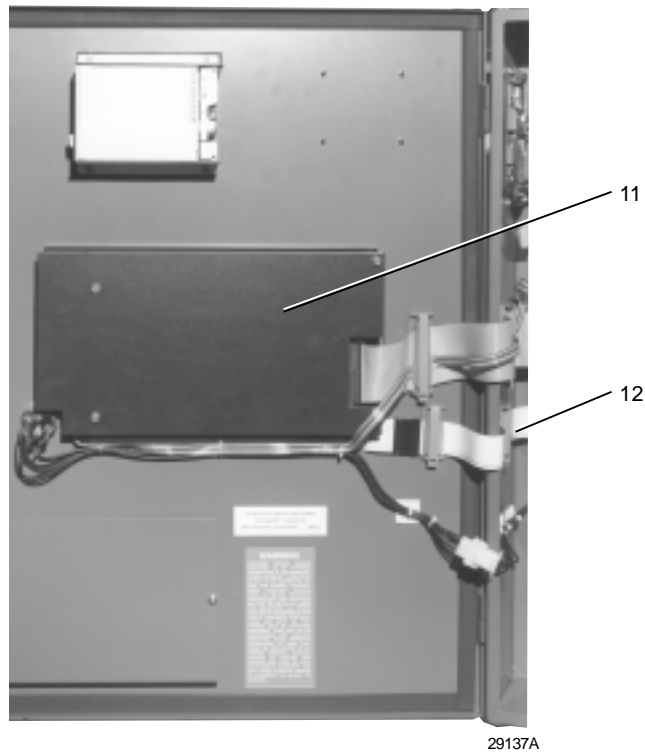


FIG. 6 – INSIDE OF DOOR

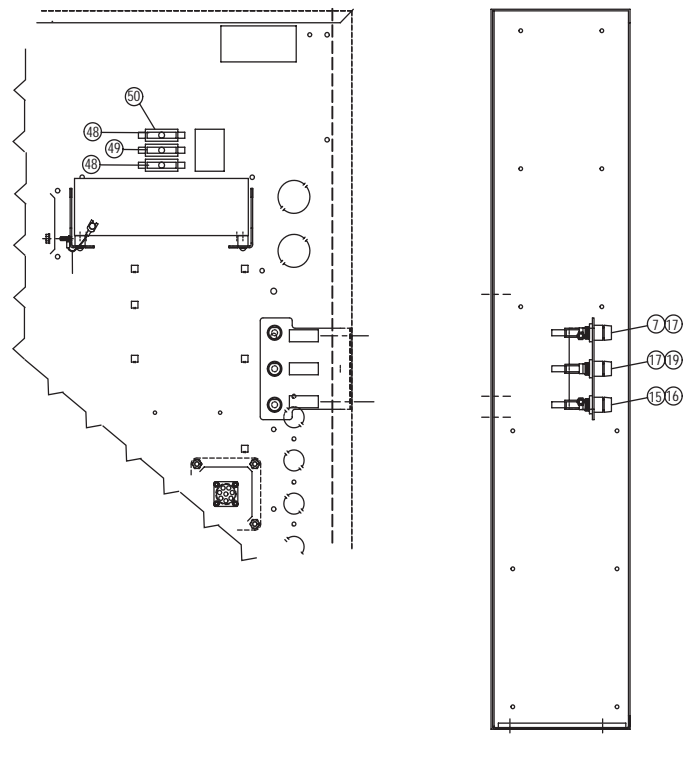
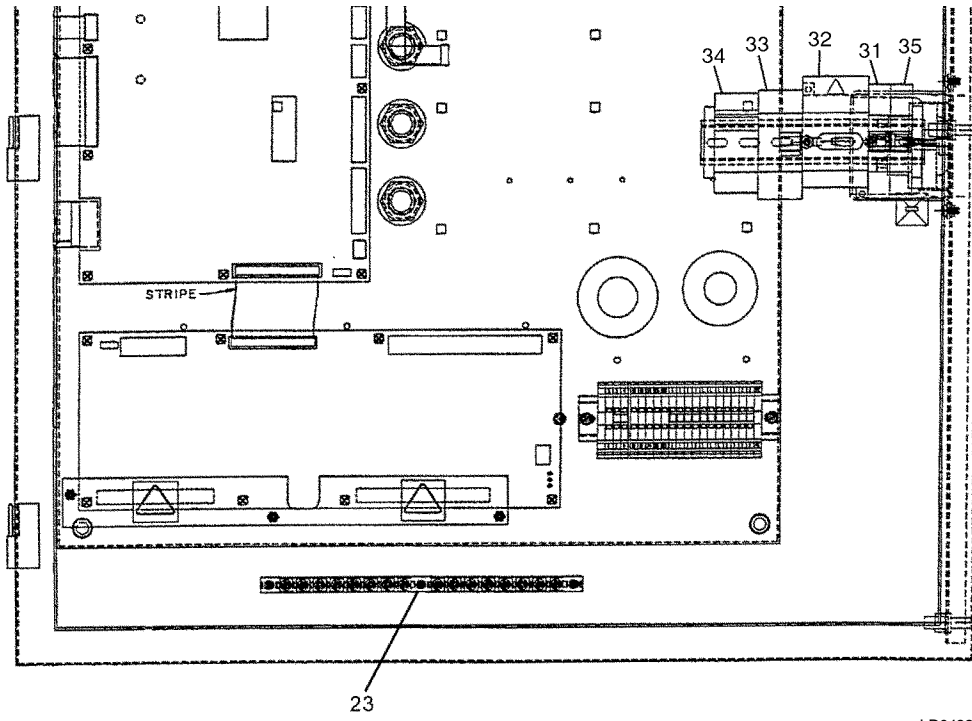
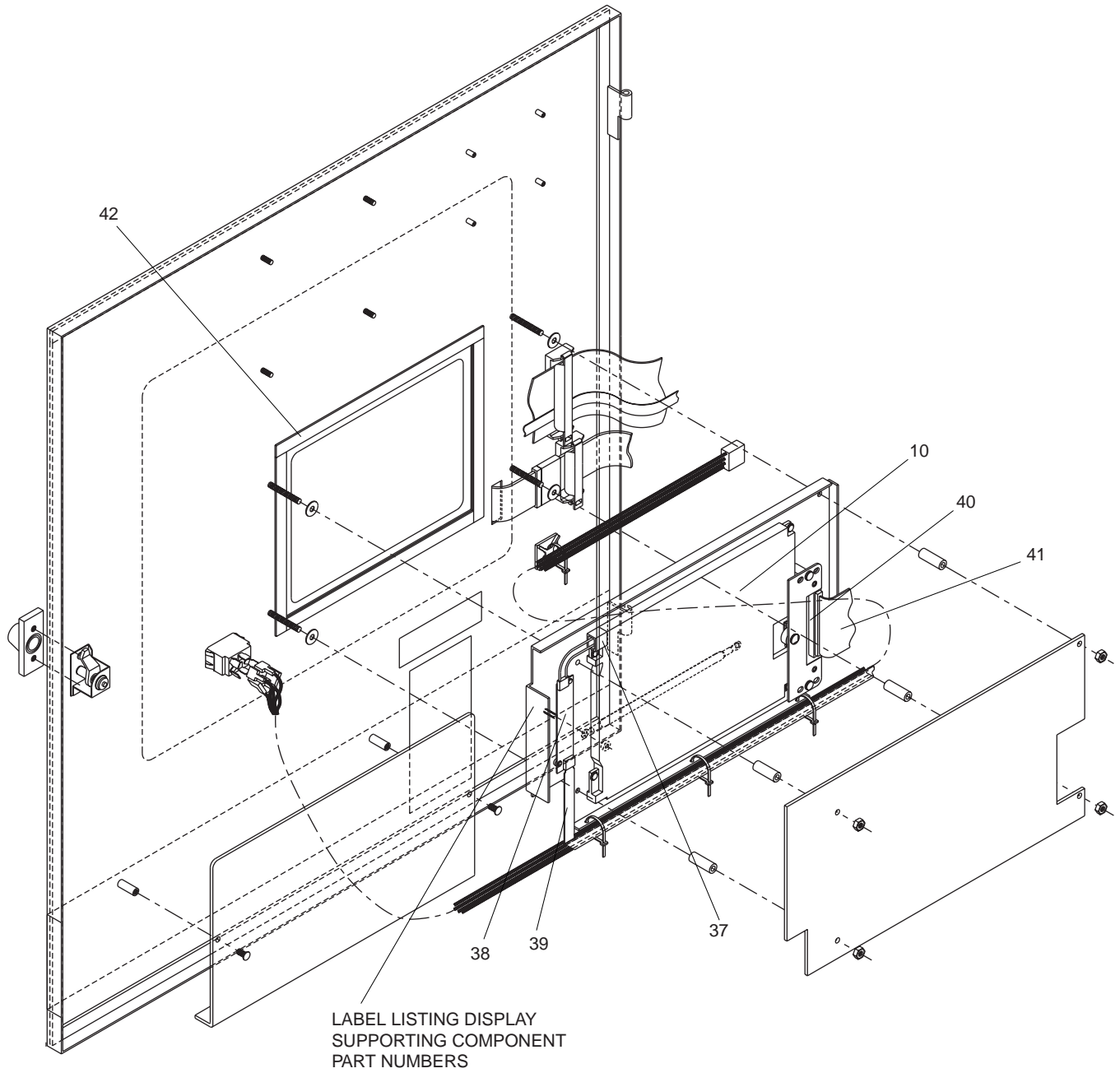


FIG. 7 – LOCATION OF FUSES



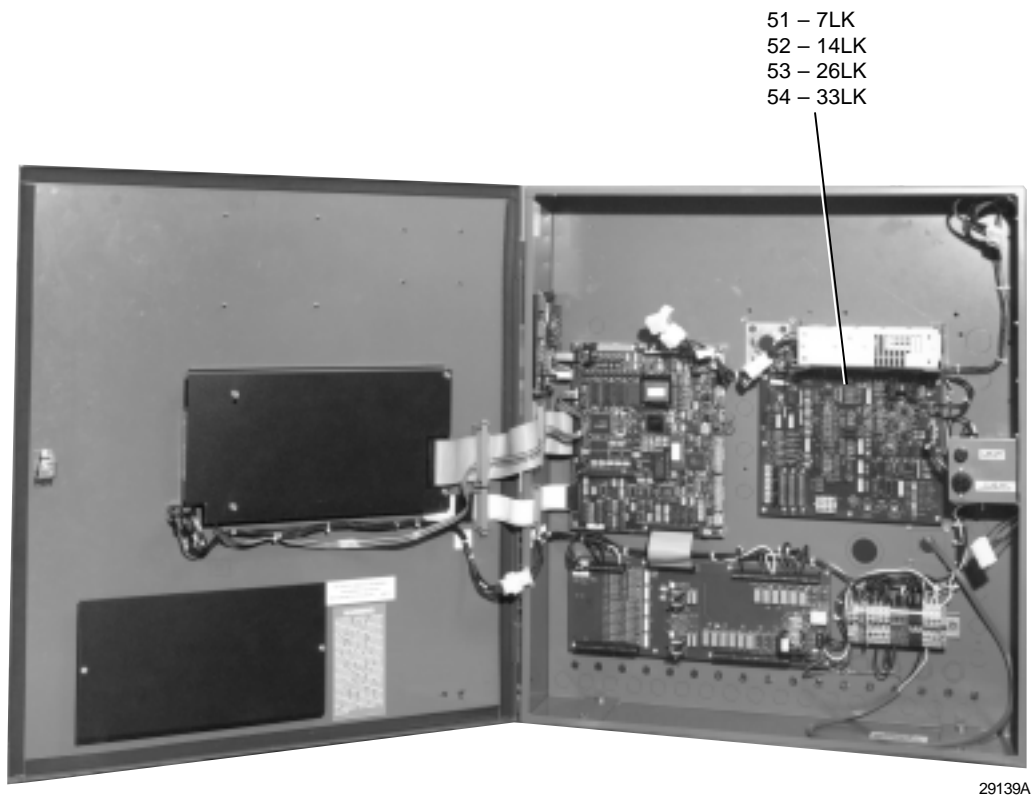
LD04826

**FIG. 8 – INSIDE OF CONTROL CENTER - NEMA 4/12, CE**



LD04827

**FIG. 9 – DISPLAY COMPONENTS** (See Notes 1 & 4, Pages 3 & 4)



29139A

**FIG. 10 – MOD A SOLID STATE STARTER (RETROFIT APPLICATION ONLY)**

ITEM	DESCRIPTION	QTY.	PART NO.
51	CONTROL LOGIC - 7LK (MOD A Solid State Starter Retrofit App. Only)	1	031-00936-002
52	CONTROL LOGIC - 14LK (MOD A Solid State Starter Retrofit App. Only)	1	031-00936-003
53	CONTROL LOGIC - 26LK (MOD A Solid State Starter Retrofit App. Only)	1	031-00936-004
54	CONTROL LOGIC - 33LK (MOD A Solid State Starter Retrofit App. Only)	1	031-00936-005

# NOTES



P.O. Box 1592, York, Pennsylvania USA 17405-1592  
Copyright © by York International Corporation 2001

Tele. 800-861-1001  
[www.york.com](http://www.york.com)

Subject to change without notice. Printed in USA  
ALL RIGHTS RESERVED

Form 160.80-RP3 (201)  
Supersedes: 160.80-RP3 (1099), 160.80-RP3 (SB1) (1099),  
160.80-RP3 (LS2) (600)