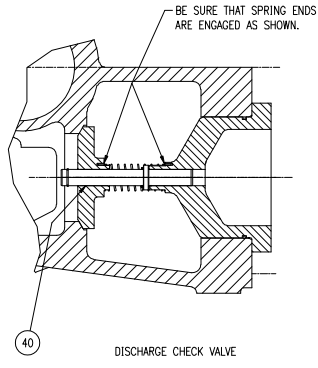
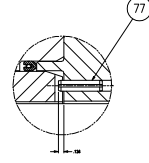


ZONE		REV	ECN	DESCRIPTION	DATE	DR	CHK	APP
M	8151			ADD NEW SCHRADER VALVE 9440425401, QTY (2) FOR CYLINDER 50-1 & 50-2 PORTS; 11100491940, QTY (1) WAS (3); DELETE 9440425401, QTY (2) & SPORTS TITLE BLOCK FORMAT.	5/9/00	AWW	CMB	TT
N	8886			REVISED O-RING DESCRIPTIONS TO EXCLUDE SERIES NUMBER (2- OR 3-) AND ADD COMPOUND DESCRIPTION (NBR OR LVL 222 O-RING PART NUMBER 980404205 (20873-70) WAS 9804012952 (N1173-70) 426 O-RING PART NUMBER 980404205 (20873-70) WAS 9804012025 (N1173-70) REVISED ALL O-RING COMPOUND DESIGNATIONS TO HBR (N1173-70) EXCEPT SIZES 222 AND 426 PER MANDATORY FACTORY LCV 858.	3/24/03	ROH	AMW	TT
P	8891			BMW-06 LOCKOUT 5348010401 WAS BMW-06 LOCKOUT 5348020601; SPINULE LOCKOUT TORQUE SPECIFICATION SHOWN IN NOTE 5, CHECK 3 WAS 90 TO 110 FOOT POUNDS AND ADDED NOTES 9 AND 10.	10/6/03	AWW	CMB	TT
D	8488			FORWARDED PART # 43, WAS 5348023301	6/3/27/07	DWM	MHC	WLF



LIP SEAL NOTE:
BE SURE TO INSTALL LIP SEAL WITH OIL HOLE IN LINE WITH NOTCH IN SEAL HOUSING SPACER ON SAME SIDE AS MATCH MARK ON BOTTOM OF SEAL HOUSING SPACER.



UNLESS OTHERWISE SPECIFIED DIMENSIONS ARE IN INCHES DO NOT SCALE		Title		York International Refrigeration - 2100 Weyersburg, PA 17268	
DATE		REV		BY	
DR	C. E. HULL, JR.	2/20/98	REV	534E0513	
CHK	C. E. HULL, JR.	2/20/98	DATE	E 233287	
APP			LINE	15	SHEET 1 OF 3

ALL SHEETS ARE THE SAME REVISION STATUS