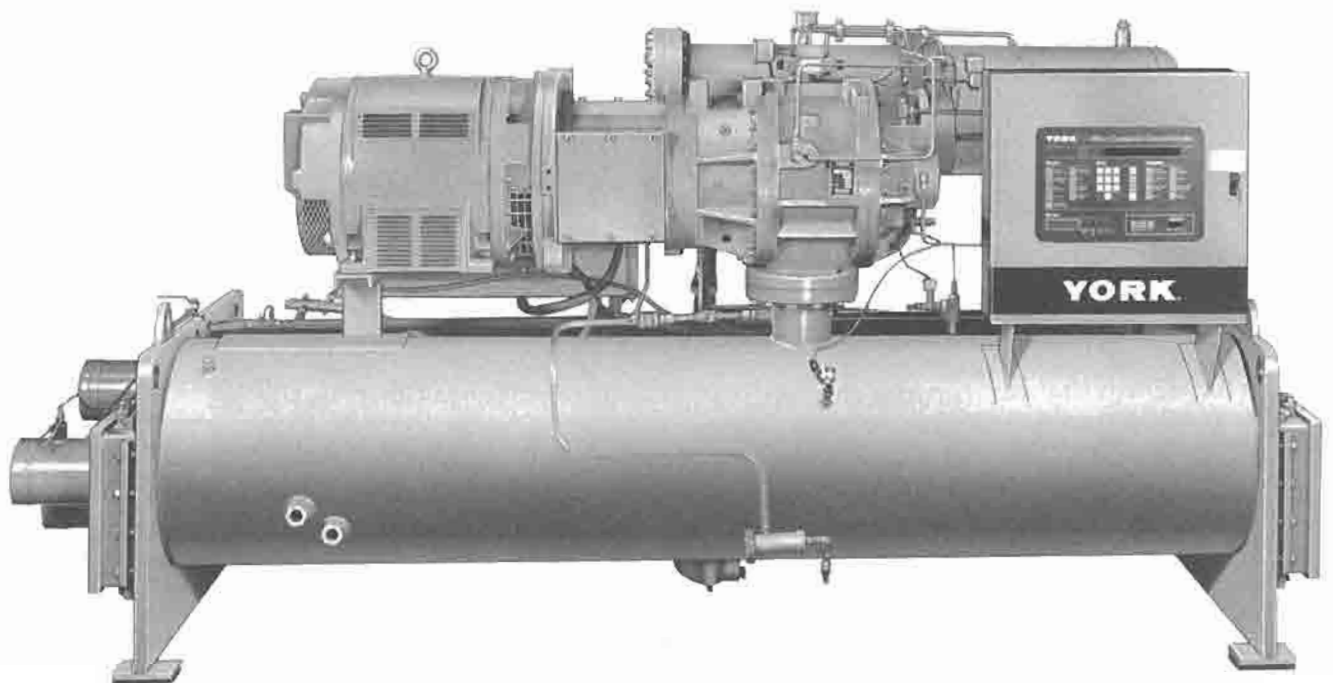


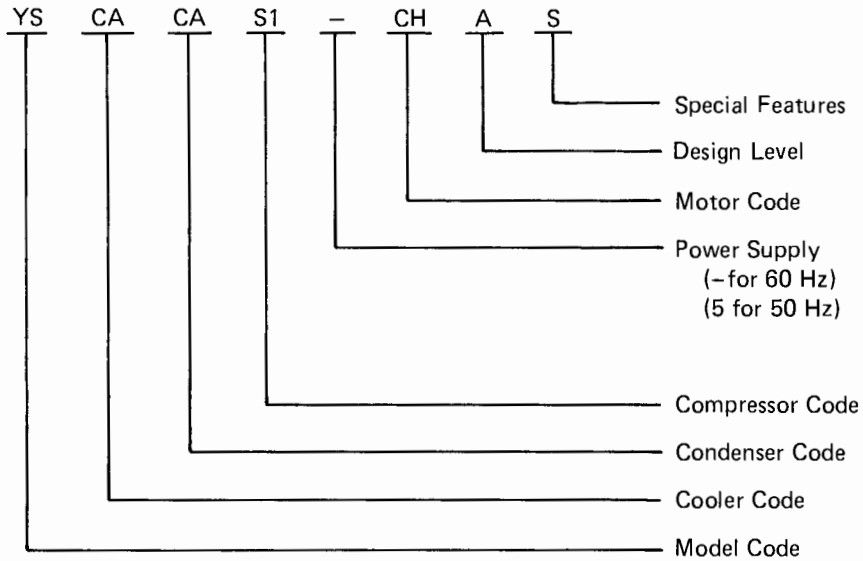
**COOLING
MODEL YS BA BA S0 THRU YS FC FB S5
(STYLE A)
125 THRU 650 TONS**



**REFERENCE
RENEWAL
PARTS**

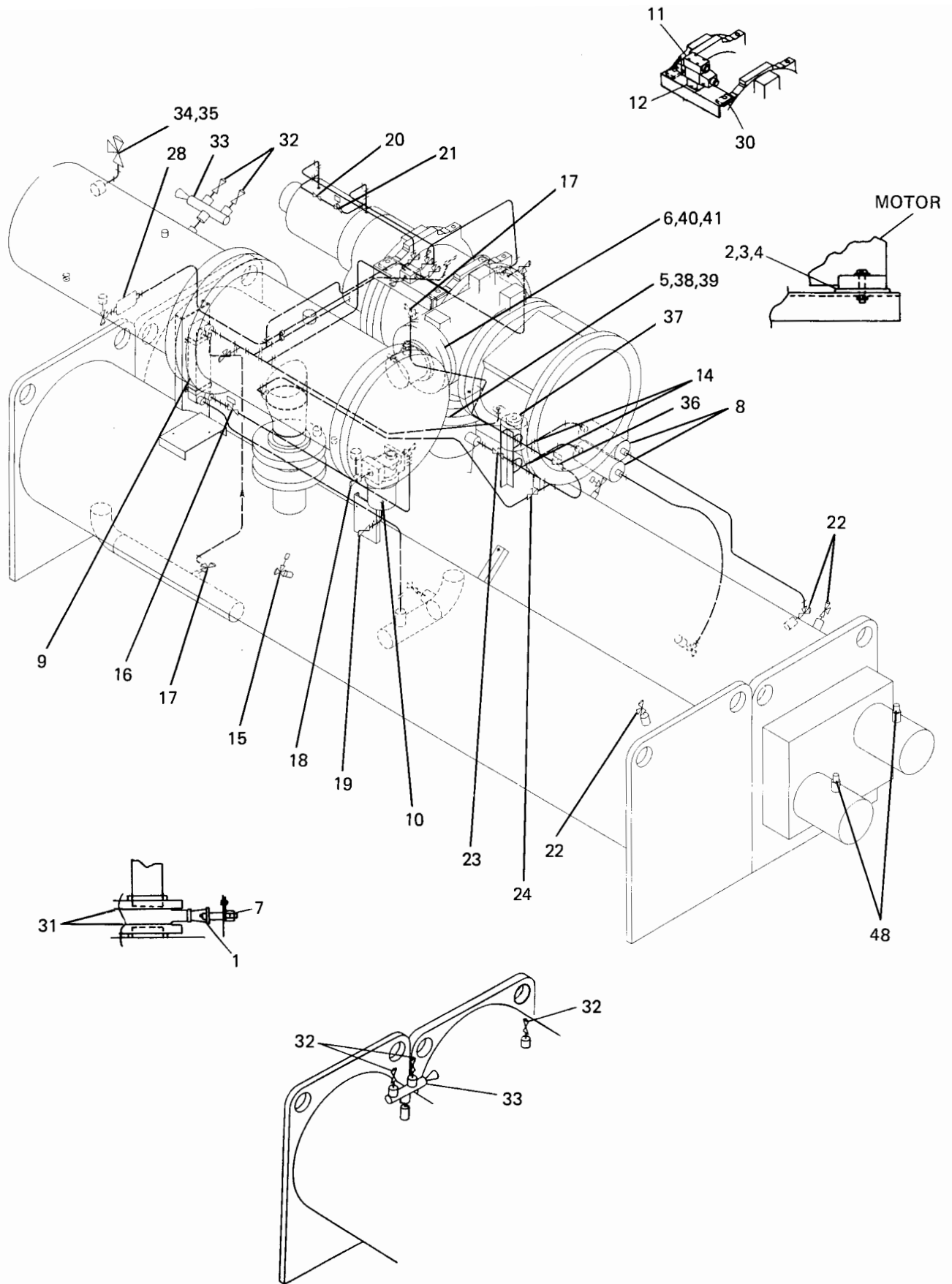
- 160.47-RP2 - ROTARY SCREW COMPRESSOR
- 160.47-RP3 - MICROCOMPUTER CONTROL CENTER

NOMENCLATURE



AVAILABLE COMPRESSOR/SHELL/MOTOR COMBINATIONS

COMPRESSOR CODE	COOLER SHELL	CONDENSER SHELL	MOTOR CODE	
			60 HZ	50 HZ
S0	BA, BB	BA, BB, CA, CB	CF, CG, CH	5 CC, 5 CD
	CA, CB	BA, BB, CA, CB		
S1	BA, BB	BA, BB, CA, CB	CF, CG, CH CJ, CK	5 CC, 5 CD, 5 CE 5 CF
	CA, CB	BA, BB, CA, CB		
S2	CA, CB	CA, CB, DA, DB	CG, CH, CJ CK, CL, CM	5 CD, 5 CE, 5 CF 5 CG, 5 CH
	DA, DB, DC	CA, CB, DA, DB		
S3	DA, DB, DC	CA, CB, DA, DB	CJ, CK, CL, CM, CN, CP, CR	5 CF, 5 CG, 5 CH, 5 CI, 5 CJ, 5 CK
S4	EA, EB, EC	EA, EB, FA, FB	CK, CL, CM CN, CP, CR	5 CF, 5 CG, 5 CH, 5 CI, 5 CJ, 5 CK
	FA, FB, FC	FA, FB		
S5	FA, FB, FC	FA, FB	CS, CT, CU CV, CW, CX CY, CZ	5 CL, 5 CM, 5 CN, 5 CO, 5 CP, 5 CQ, 5 CR, 5 CS

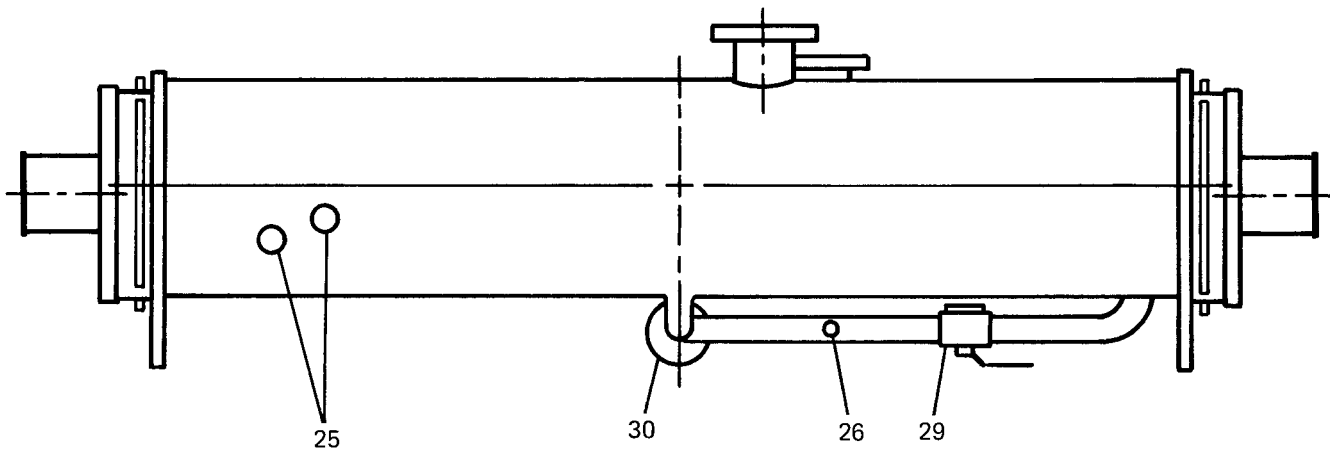


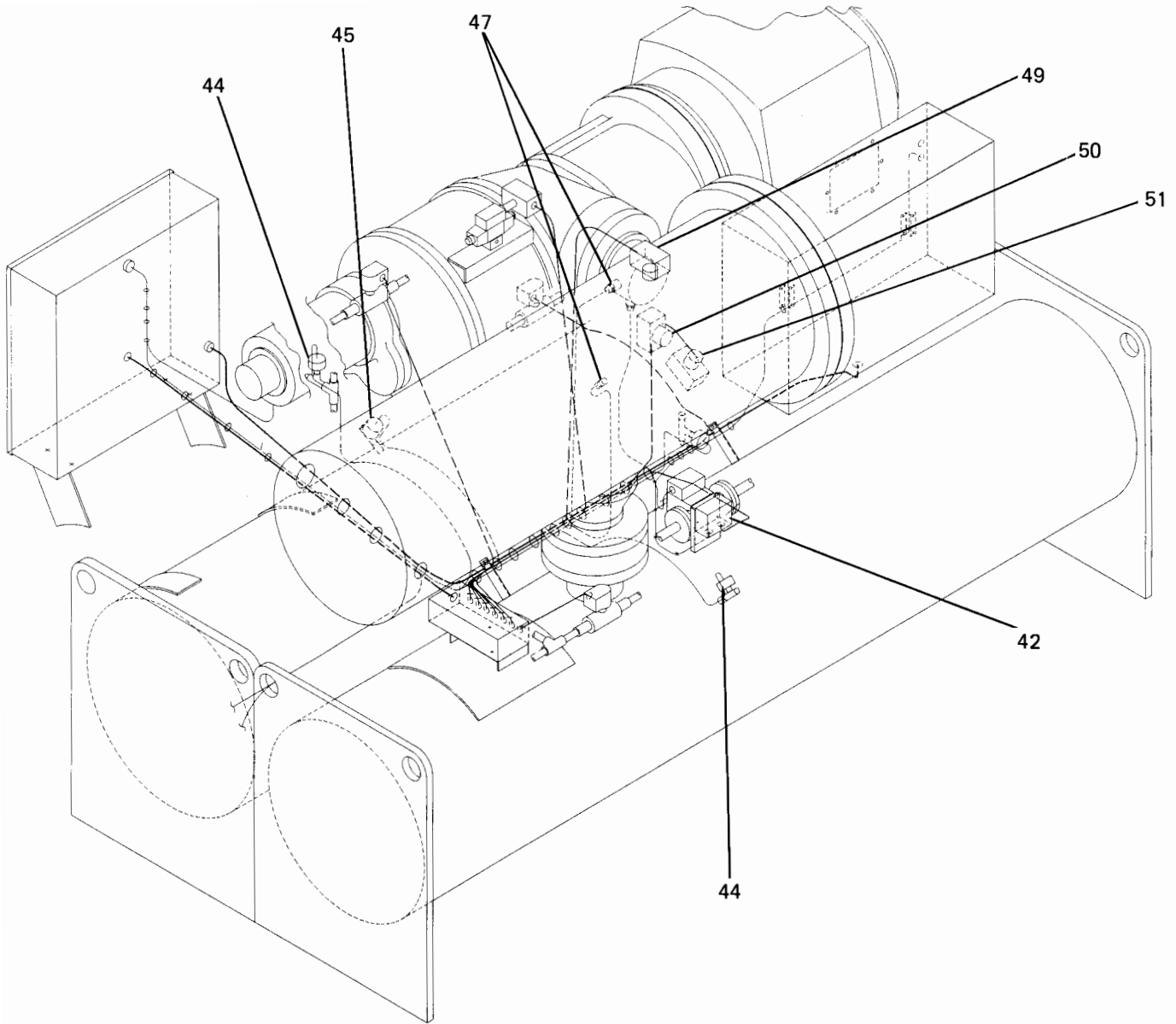
RENEWAL PARTS- GENERAL

ITEM	DESCRIPTION	FIG. NO.	QUAN. /UNIT	PART NO.
1	Valve, Butterfly 300# R-22			
	S0/S1 Compressors	1	1	022-08852-000
	S2/S3 Compressors	1	1	022-08848-000
	S4/S5 Compressors	1	1	022-08862-000
2	Shim, Motor Mounting	1	8	066-87439-000
3	Shim, Motor Mounting	1	4	066-92388-000
4	Shim, Motor Mounting	1	4	066-92389-000
5	Gasket, Compressor Suction			
	S0/S1	1	1	028-11007-001
	S2/S3	1	1	028-11989-000
6	Gasket, Compressor Discharge			
	S0/S1	1	1	028-10386-032
	S2/S3	1	1	028-11007-001
7	Operator, Manual Butterfly Valve			
	4" S0/S1	1	1	375-01523-000
	6" S2/S3	1	1	375-01524-000
8	Filter, Drier	1	2	026-32020-000
9	Cooler, Oil			
	S0/S1 Compressors	1	1	026-31371-000
	S2/S3 Compressors	1	1	026-31388-000
10	S4/S5 Compressors	1	1	026-31649-000
	Oil Filter			
	Donaldson	1	1	026-31383-000
10A	Parker/Paul	1	1	026-31650-000
	Element			
	Donaldson - Long	1	1	026-31628-000
	Short	1	1	026-31372-000
10B	Parker/Paul - Long	1	1	026-31654-000
	Short	1	1	026-31623-000
	"O" Ring			
	Parker	1	1	026-32001-000
11	Paul	1	1	026-32000-000
	Valve, Solenoid Control	1	1	025-28721-000
12	Subplate, Solenoid Valve	1	1	029-20733-000
13	Kit, Bolt Valve	1	1	029-20734-000
14	Eductor, Oil Return	1	2	366-78307-000
15	Valve, Stop Angle 1/4 NPTE	1	8	022-05089-000
16	Valve, Solenoid			
	S0/S1 Compressors	1	1	025-17556-000
	S2/S3 Compressors	1	1	025-20996-000
17	Valve, Stop Angle 3/8 NPTE	1	1	022-05252-000
18	Valve, Stop Angle 1" NPTI	1	2	022-06359-000
19	Valve, Access 1/8" NPTE	1	1	022-04521-000
20	Valve, Check 1/4 ODS	1	1	022-05316-000
21	Valve, Solenoid 1/4 ODS	1	1	025-28934-000
22	Valve, Stop Angle 1/2 NPTE	1	7	022-03835-000
23	Valve, Ball 5/8 ODS	1	1	022-08747-000
24	Valve, Ball 1/2 ODS	1	1	022-08746-000

RENEWAL PARTS- GENERAL

ITEM	DESCRIPTION	FIG. NO.	QUAN. /UNIT	PART NO.	
25	Sight Glass - Cooler 1-1/2"	2	.2	026-16556-000	
26	Sight Glass - Liquid Line 1"	2	2	026-17581-000	
27	Sight Glass - Oil Separator 2"		3	026-18004-000	
28	Filter Drier	1	1	026-31563-000	
29	Liquid Line Isolation Valve	2	1	022-08744-000	
30	Gasket	2	2	028-10386-029	
31	Gasket - Discharge Valve - S0/S1	1	2	028-10386-032	
		S2/S3	1	2	028-11007-001
		S4/S5	1	2	028-11989-000
32	Valve, Relief 1/2 NPTE x 3/4 NPTE	1	4	022-04484-000	
33	Valve, Stop 3-way 1/2 NPT	1	2	022-03411-000	
34	Valve, Relief 1-1/4 x 2 NPTE	1	1	022-07893-040	
35	Companion Flange 1-1/4 NPTE	1	1	023-13837-003	
36	Valve, Solenoid 1/2 ODF	1	1	025-28986-000	
37	Oil Bottle	1	1	028-10579-000	
38	Stud - Compr. Suction - S0/S1	1	12	021-17507-000	
		S2/S3	1	12	021-17511-000
		S4/S5	1	16	021-17552-000
39	Nut - Compr. Suction - S0/S1	1	12	021-17509-000	
		S2/S3	1	12	021-17521-000
		S4/S5	1	16	021-17552-000
40	Stud - Compr. Discharge - S0/S1	1	8	021-17508-000	
		S2/S3	1	12	021-17510-000
		S4/S5	1	12	021-17511-000
41	Nut - Compr. Discharge - S0/S1	1	8	021-17509-000	
		S2/S3	1	12	021-17509-000
		S4/S5	1	12	021-17521-000





RENEWAL PARTS- ELECTRICAL

ITEM	DESCRIPTION	FIG. NO.	QUAN. /UNIT	PART NO.
42	Control, High Pressure	3	1	025-28690-000
43	Control, Low Pressure (Brine Only)	-	1	025-12190-000
44	Transducer, High Pressure	3	3	025-28678-001
45	Transducer, Low Pressure	3	1	025-28678-002
46	Transducer, Brine (Panel 371-01200-003)	-	1	025-28678-003
47	Sensor, Temp. 50,000 OHM	3	2	025-28936-000
48	Sensor, Temp. 3,000 OHM	1	2	025-28935-000
49	Oil Level Float Switch	3	1	024-25500-000
50	Oil Heater	3	1	025-29119-000
51	Thermal Switch, Oil Heater	3	1	024-25509-000

SPRING ISOLATORS	
SYSTEM OPERATING WEIGHT (lbs.)	PART NO.
Up to 6865	029-18479-001
6866 to 9818	029-18479-002
9819 to 12182	029-18479-003
12183 to 15272	029-18479-004
15273 to 18272	029-18480-001
18273 to 22909	029-18480-002
22910 to 26044	029-18480-003
26044 to 32101	029-18480-004

NEOPRENE ISOLATOR PADS	
SYSTEM OPERATING WEIGHT	PART NO.
Up to 16365 lbs.	028-10578B
16366 to 28835 lbs.	028-10518B

REFRIGERANT RESTRICTOR	
CODE	PART NO.
C	075-00748-001
D	075-00748-002
E	075-00748-003
F	075-00748-004
G	075-00748-005
H	075-00748-006
J	075-00748-007
K	075-00748-008
L	075-00748-009
M	075-00748-010
N	075-00748-011
P	075-00748-012
Q	075-00748-013
R	075-00748-014
S	075-00748-015
T	075-00748-016
U	075-00748-017
V	075-00748-018
W	075-00748-019

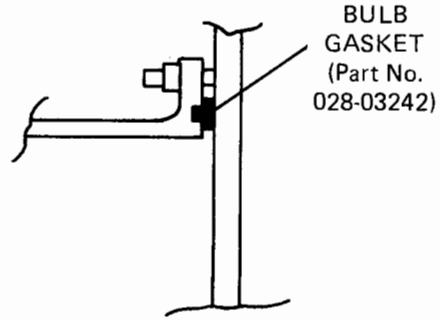
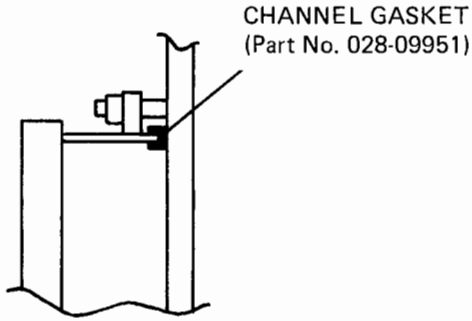
STRAINERS	
NOZZLE SIZE (in.)	PART NO.
4	029-13286-000
6	029-12948-000
8	029-12949-000
10	029-12950-000
12	029-12951-000
14	029-14727-000

OIL SEPARATOR	
COMPRESSOR SIZE	PART NO.
S0	026-31396-000
S1	026-31396-000
S2	376-74210-000
S3	376-74210-000
S4	375-03606-000
S5	375-03606-000

TEMPERATURE RECORDER		
HERTZ	PART NO.	NUMBER OF PENS
60	025-09658	1
	025-09823	2
50	025-12650	1
	025-12330	2

FLOW SWITCH CONTROL		
PART NO.	DWP	MODEL
024-15793	150	FS8W
024-12144	300	FS7-4W

SHELLS



COOLER WITH STANDARD COMPACT WATER BOXES

COOLER CODE	1 PASS		2 PASS		3 PASS	
	GASKET TYPE	FT. REQ'D	GASKET TYPE	FT. REQ'D	GASKET TYPE	FT. REQ'D
BA, BB	CHANNEL	12	CHANNEL	14	CHANNEL	14
CA, CB	CHANNEL	12	CHANNEL	14	CHANNEL	15
DA, DB, DC	CHANNEL	17	CHANNEL	20	CHANNEL	22
EA, EB, EC	CHANNEL	18	CHANNEL	21	CHANNEL	23
FA, FB, FC	BULB	21	BULB CHANNEL	21 4	BULB CHANNEL	21 4

COOLER WITH MARINE WATER BOXES

COOLER CODE	1 PASS		2 PASS		3 PASS	
	GASKET TYPE	FT. REQ'D	GASKET TYPE	FT. REQ'D	GASKET TYPE	FT. REQ'D
BA, BB	BULB	13	BULB CHANNEL	13 4	BULB CHANNEL	13 3
CA, CB	BULB	14	BULB CHANNEL	14 5	BULB CHANNEL	14 4
DA, DB, DC	BULB	18	BULB CHANNEL	18 6	BULB CHANNEL	18 5
EA, EB, EC	BULB	20	BULB CHANNEL	20 6	BULB CHANNEL	20 6
FA, FB, FC	BULB	21	BULB CHANNEL	21 4	BULB CHANNEL	21 4

CONDENSER WITH STANDARD COMPACT WATER BOXES

CONDENSER CODE	1 PASS		2 PASS	
	GASKET TYPE	FT. REQ'D	GASKET TYPE	FT. REQ'D
BA, BB	CHANNEL	11	CHANNEL	12
CA, CB	CHANNEL	12	CHANNEL	14
DA, DB	CHANNEL	16	CHANNEL	18
EA, EB	CHANNEL	16	CHANNEL	18
FA, FB	BULB	20	BULB CHANNEL	20 3

CONDENSER WITH MARINE WATER BOXES

CONDENSER CODE	1 PASS		2 PASS	
	GASKET TYPE	FT. REQ'D	GASKET TYPE	FT. REQ'D
BA, BB	BULB	11	BULB CHANNEL	11 3
CA, CB	BULB	14	BULB CHANNEL	14 3
DA, DB	BULB	17	BULB CHANNEL	17 4
EA, EB	BULB	17	BULB CHANNEL	17 4
FA, FB	BULB	20	BULB CHANNEL	20 3

COOLER TUBES

PART NO. 007-07872-000		
SHELL CODE	SHELL ID	NO. OF TUBES
BA	19	100
BB	19	134
CA	23	174
CB	23	228
DA	29	216
DB	29	307
DC	29	410
PART NO. 007-07879-000		
EA	31	217
EB	31	308
EC	31	410
FA	38	410
FB	38	547
FC	38	728

CONDENSER TUBES

PART NO. 007-07873-000		
SHELL CODE	SHELL ID	NO. OF TUBES
BA	17-1/4	133
BB	17-1/4	169
CA	20-1/2	226
CB	20-1/2	292
DA	25	404
DB	25	528
PART NO. 077-07880-000		
EA	25	408
EB	25	532
FA	32-1/2	670
FB	32-1/2	902



P.O. Box 1592, York, Pennsylvania USA 17405-1592
Copyright © by York International Corporation 1997
Form 160.47-RP1 (992)
Supersedes: 160.47-RP1 (790)

Subject to change without notice. Printed in USA
ALL RIGHTS RESERVED
RPC 2M 597 .70
Codes: SK, RSC, RJM