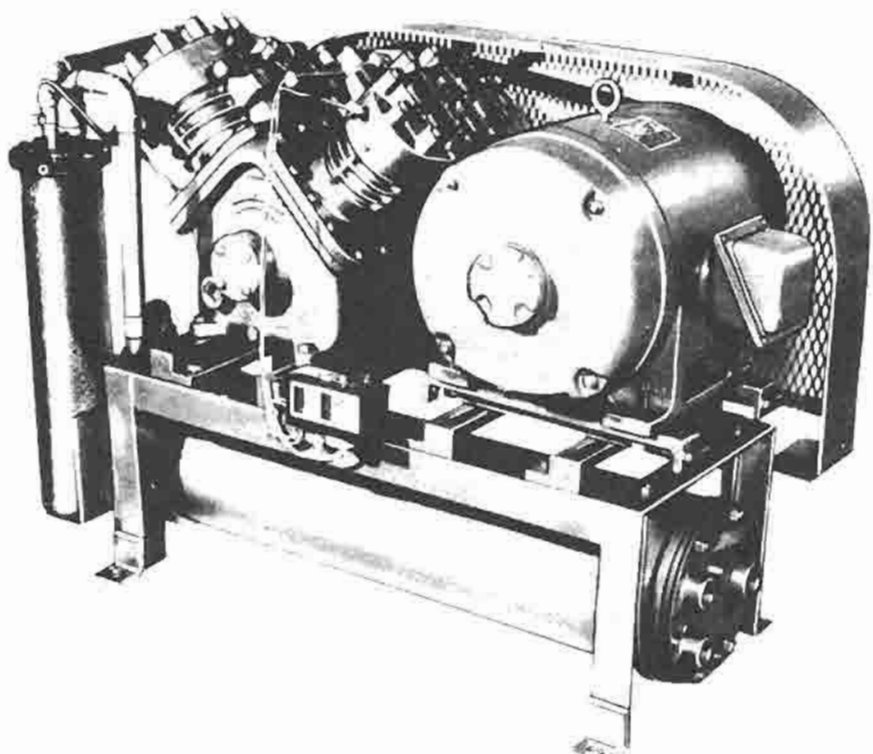


MODEL YS NN NN S7 1000 - 1250 TONS

REFRIGERANT TRANSFER UNIT



REFERENCE LITERATURE: Installation Instruction Form 160.65-N1
Operation & Maintenance Form 160.65-O1
Control Center Operation and Service Form 160.65-OM1
Service, Compressor and Unit Form 160.65-M1

RENEWAL PARTS: General Form 160.65-RP1
Compressor Form 160.65-RP2
Microcomputer Control Center Form 160.65-RP3

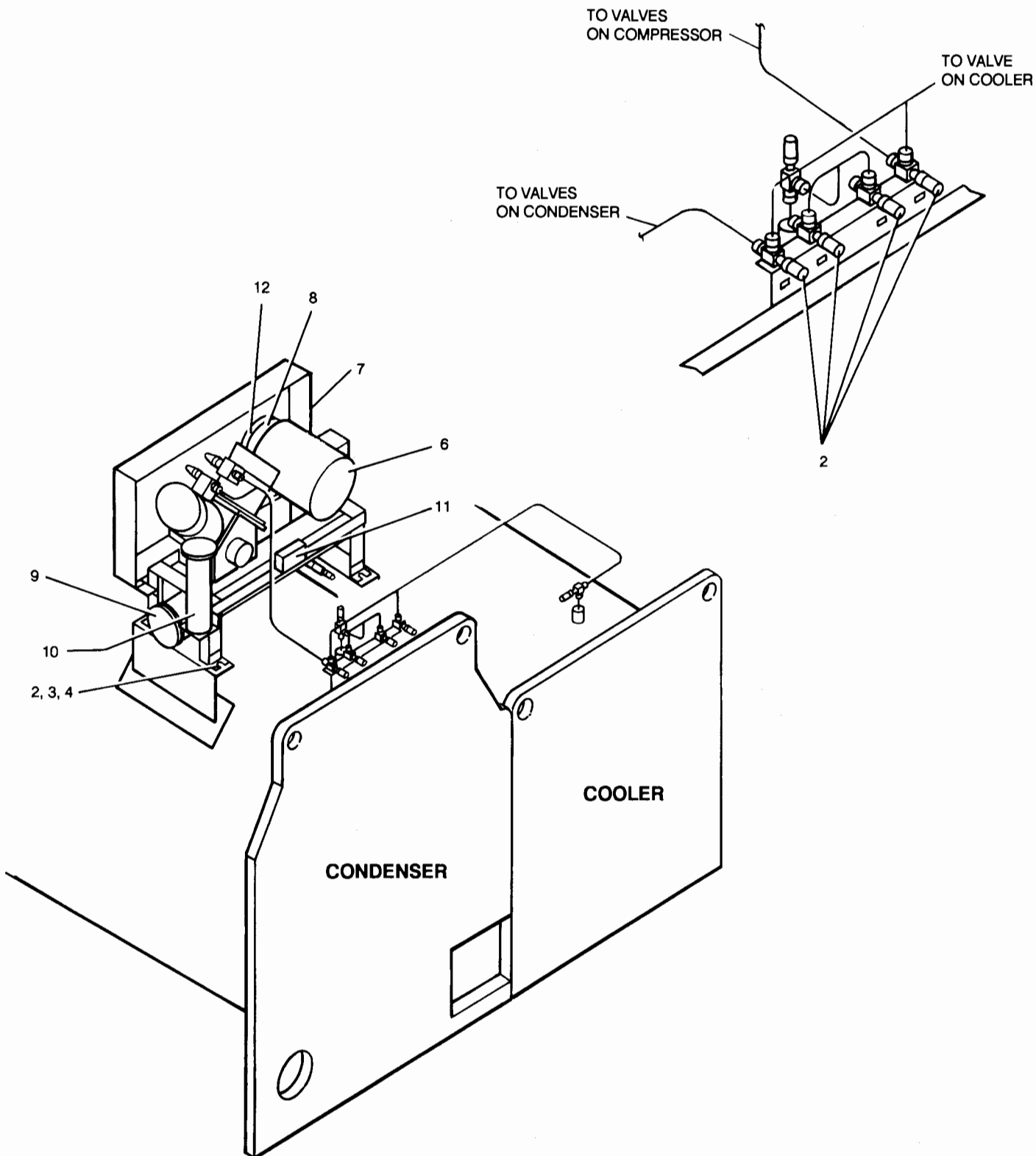


FIG. 1 -- REFRIGERANT TRANSFER UNIT - REAR VIEW

REFRIGERANT TRANSFER UNIT

ITEM	DESCRIPTION	FIG. NO.	QUAN. PER UNIT	PART NO.
	REFRIGERANT TRANSFER UNIT	—	1	—
1	380-3-60	—	—	375-01485-001
	415-3-60	—	—	375-01485-002
	440/460/480-3-60	—	—	375-01485-003
	575/600-3-60	—	—	375-01485-004
	346-3-50	—	—	375-01485-005
	380/400-3-50	—	—	375-01485-006
	415-3-50	—	—	375-01485-007
2	VALVE, 7/8 ID	—	4	022-01669-000
3	SCREW, CAP HEX. 3/4-UNC-2B	—	4	021-01665-000
4	LOCKWASHER, SPRING 7/8 REG.	—	4	021-05253-000
5	NUT, HEX. 3/4-10 UNC-2B	—	4	021-00506-000
6	MOTOR (FRAME 184T, 5 HP, 1800 RPM, FLA 8.3, LRA 62, OPEN DRIP PROOF, FOOT MOUNTED)	—	1	—
	380-3-60	—	—	024-25279-000
	415-3-60	—	—	024-25280-000
	440/460/480-3-60	—	—	024-25281-000
	575/600-3-60	—	—	024-25282-000
	346-3-50	—	—	024-25283-000
	380/400-3-50	—	—	024-25284-000
415-3-50	—	—	024-25285-000	
7	PULLEY (V20205, 3 V-GROOVES)	—	1	028-11990-000
8	BELTS (MATCHED SET) (76" V-GROOVE)	—	1	Purchase Locally
9	CONDENSER-RECEIVER	—	1	026-31599-000
10	OIL SEPARATOR	—	1	026-31597-000
11	CONTROL, RANCO	—	1	025-28979-000
12	COMPRESSOR (FOR PARTS SEE PAGE 2)	—	1	015-02360-000
13	FLYWHEEL	—	1	028-11991-000
14	COMPRESSOR SERVICE VALVES, SUCTION & DISCHARGE (7/8 S 16737)	—	2	022-08854-000
15	UNIT BASE	—	1	026-31598-000
16	MOTOR RAIL	—	1	026-31600-000
17	CRANKCASE HEATER	—	1	025-28980-000
18	STARTER, FURNACE 14CP32BF	—	1	024-25286-000
19	HEATER, STARTER OVERLOAD FURNACE	—	1	—
	H32-380-3-60	—	—	025-28984-000
	H31-415-3-60	—	—	025-28983-000
	H30-440/460/480-3-60	—	—	025-28982-000
	H28-575/600-3-50	—	—	025-28981-000
	H32-346-3-50	—	—	025-28984-000
	H32-380/400-3-50	—	—	025-28984-000
H31-415-3-50	—	—	025-28983-000	

**REFRIGERANT TRANSFER UNIT
MODEL 16799 COMPRESSOR
YORK PART NUMBER 015-2358-000
(REFER TO FIG. 2)**

ITEM	DESCRIPTION	QUAN. PER UNIT	PART NO.	
1	CRANKCASE (Includes Front & Rear Bushing)	1	015-02358-001	
2	CYLINDER	2	015-02358-002	
3	CYLINDER HEAD	2	015-02358-003	
4	CRANKSHAFT ASSEMBLY	1	015-02358-004	
	Includes: a. Crankshaft (1)	—	—	
	b. Collar (1)	—	—	
5	ECCENTRIC CONNECTING ROD ASSEMBLY	1	015-02358-005	
	Includes: a. Eccentric (2)	—	—	
	b. Connecting Rod (2)	—	—	
	c. Connecting Rod Link (2)	—	—	
	d. Link Pin (2)	—	—	
	e. Link Pin Retaining Ring (4)	—	—	
	f. Clamping Stud (2)	—	—	
	g. Lockwasher 1/2" Heavy (2)	—	—	
	h. Hex. Nut 1/2-20 NF-2	—	—	
6	PISTON	4	015-02358-006	
7	WRIST PIN ASSEMBLY	4	015-02358-007	
8	PISTON RING	12	015-02358-008	
9	SIGHT GLASS ASSEMBLY	1	015-02358-009	
	Includes: a. Sight Glass Gasket (2)	—	—	
	b. Sight Glass (1)	—	—	
	c. Sight Glass Retaining Ring (1)	—	—	
10	SHAFT END PLATE	1	015-02358-010	
11	SHAFT END PLATE GASKET	1	015-02358-011	
12	SUCTION SCREEN	1	015-02358-012	
13	SERVICE VALVE GASKET	5	015-02358-013	
14	OIL FILL & DRAIN PLUG	2	015-02358-014	
15	CRANKCASE GASKET	2	015-02358-015	
16	VALVE PLATE ASSEMBLY	2	015-02358-016	
	Includes: a. Cylinder Gasket (2)	—	—	
	b. Head Gasket (2)	—	—	
	c. Suction Reed (4)	—	—	
	d. Valve Plate (2)	—	—	
	e. Discharge Reed (4)	—	—	
	f. Discharge Valve Reed Retainer (4)	—	—	
	g. Discharge Valve Spring (8)	—	—	
	h. Discharge Valve Screw (8)	—	—	
	j. Discharge Valve Lockwire 19 Ga. (4)	—	—	
	k. Dowel Pins (8)	—	—	
	17	SHAFT SEAL ASSEMBLY	1	015-02358-017
		Includes: a. Shaft Seal Spring (1)	—	—
b. Shaft Seal Ring (1)		—	—	
c. Shaft Seal Carbon (1)		—	—	
d. Seal End Plate Gasket		—	—	
18	SEAL END PLATE	1	015-02358-018	
19	HEAD PIPE PLUG 1/8"	3	015-02358-019	
20	HALF UNION ELBOW	1	015-02358-020	
21	FLARE CAP 1/4"	1	015-02350-021	
22	SERVICE VALVE 7/8 S	3	015-02358-022	
23	COMPLETE GASKET SET	1	015-02358-023	
26	DISCHARGE BAFFLE CROSSOVER TUBE ASSEMBLY	1	015-02358-024	

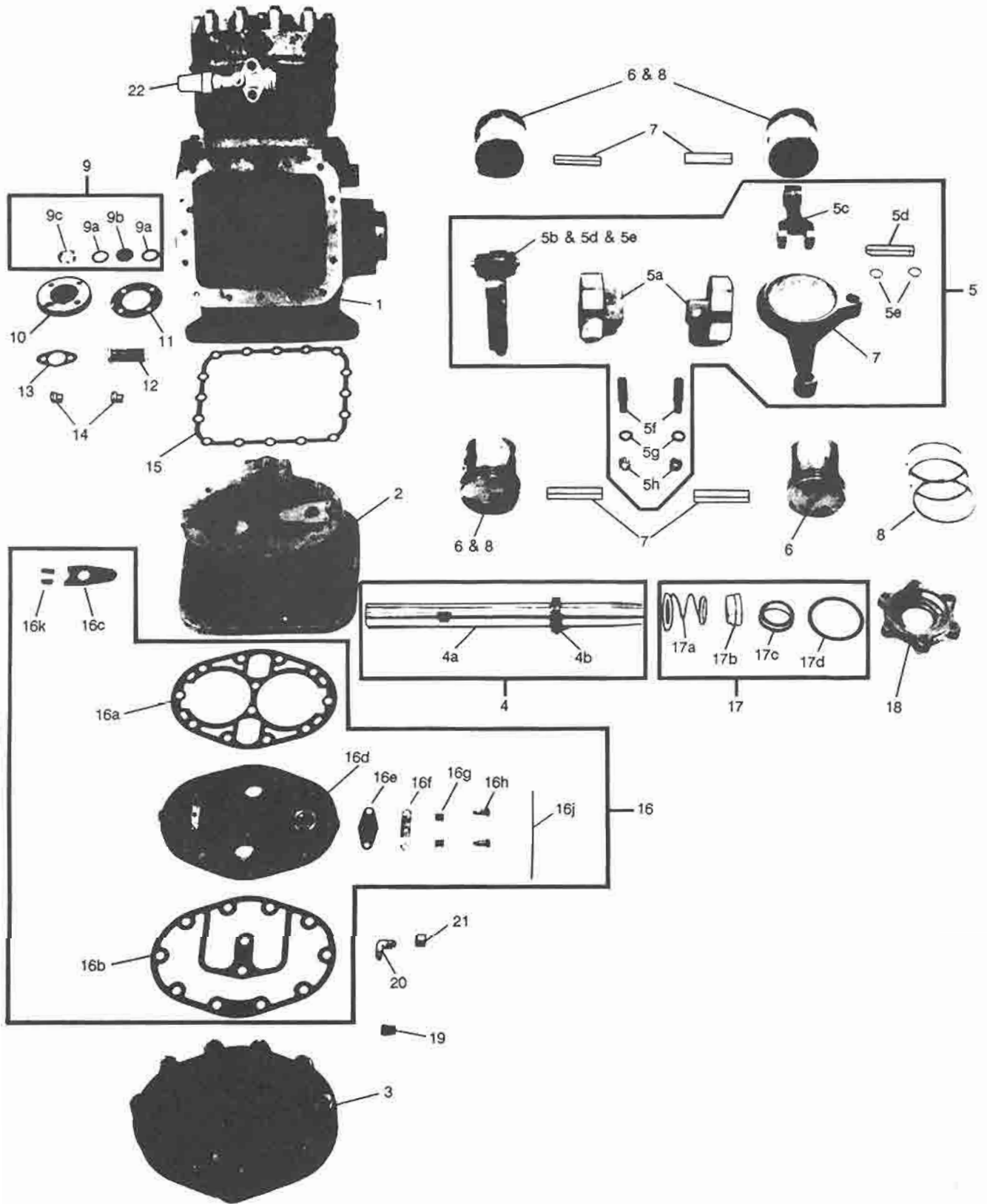


FIG. 2 – COMPRESSOR PARTS (PART NO. 015-02358-000)
YORK APPLIED SYSTEMS

