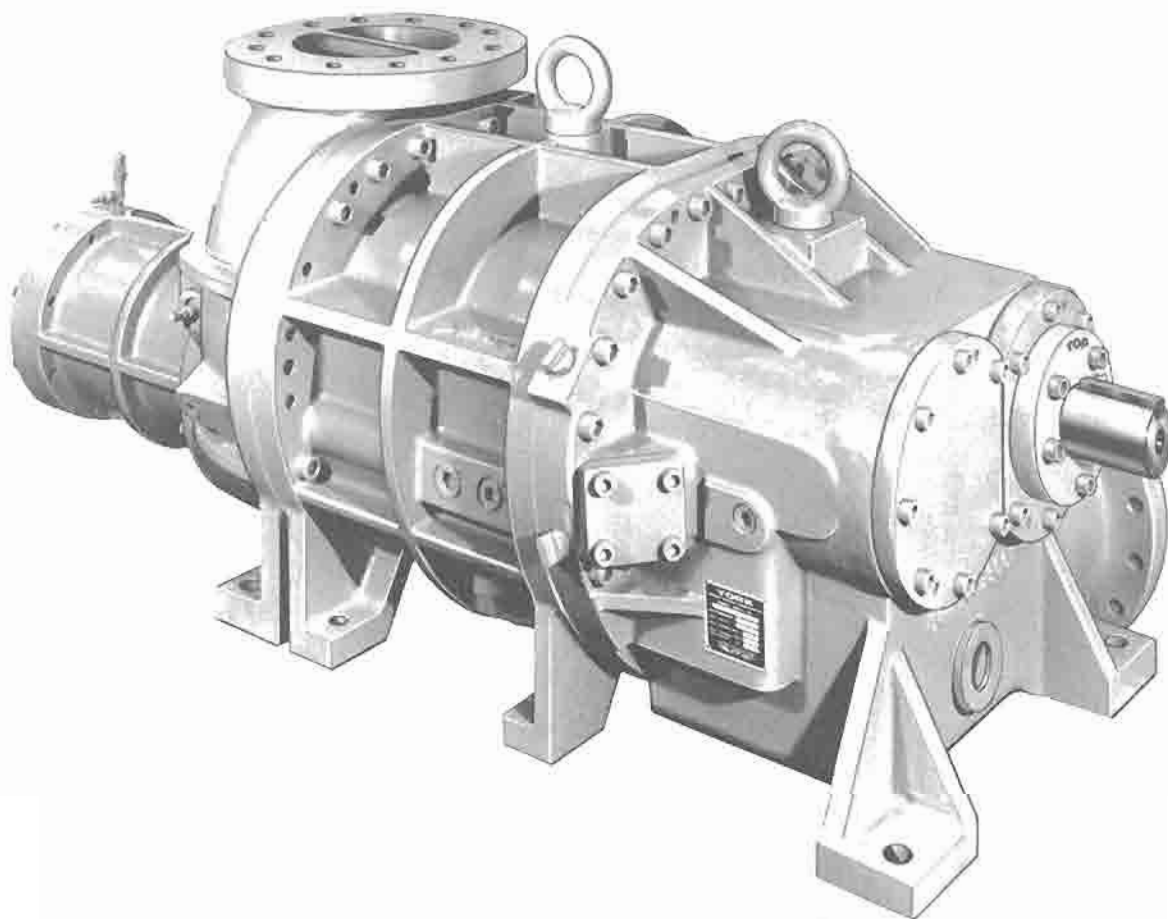


FOR MODEL YS NN NN S7  
1000 - 1250 TONS

ROTARY SCREW COMPRESSOR  
MODEL TDSH 283 L AC



<b>REFERENCE LITERATURE:</b>	Installation Instruction .....	Form 160.65-N1
	Operation & Maintenance .....	Form 160.65-O1
	Control Center Operation and Service .....	Form 160.65-OM1
	Service, Compressor and Unit .....	Form 160.65-M1
<b>RENEWAL PARTS:</b>	General .....	Form 160.65-RP1
	Compressor .....	Form 160.65-RP2
	Control Center .....	Form 160.65-RP3
	Refrigerant Transfer Unit .....	Form 160.65-RP4

## IMPORTANT

The renewal parts numbers listed for the rotary screw compressor are for the shaft seal replacement, the volumizer potentiometer replacement, and the SV POS potentiometer replacement.

## COMPRESSOR EXCHANGE PROGRAM

If there are other service problems with the compressor, other than those stated under IMPORTANT, a compressor exchange program is available through the local YORK District Service Office. Please contact to arrange for a compressor replacement. The compressor Part No. is 015-02345-000.

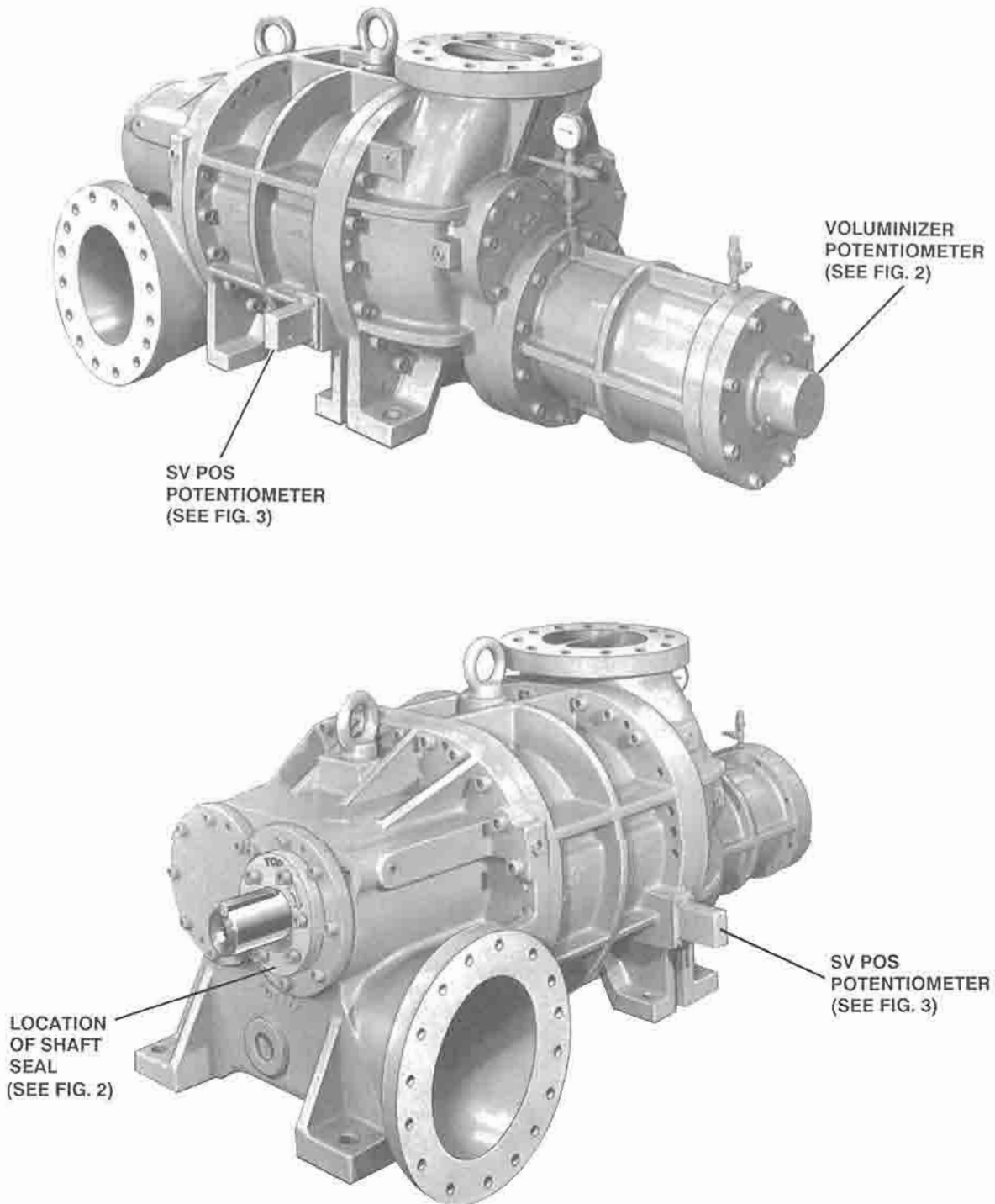


FIG. 1 – ROTARY SCREW COMPRESSOR LOCATION OF SHAFT SEAL

## RENEWAL PARTS ROTARY SCREW COMPRESSOR PART NO. 015-02345-000

	ITEM	DESCRIPTION	FIG. NO.	QUAN. PER UNIT	PART NO.
<b>SHAFT SEAL</b>	1	SEAL DISTANCE RING	2	1	015-02359-001
	2	SQUARE KEY	2	1	015-02359-002
	3	SHAFT SEAL ASS'Y. 3-1/2" TYPE 881	2	1	015-02359-003
	4	SOC. HEAD CAPSCREW (M16 X 2.0) X 55mm LG.	2	6	015-02359-004
	5	SPRING PIN 250 DIA. X .625 LG.	2	1	015-02359-005
	6	DOWEL PIN 5h8 X 10mm LG.	2	2	015-02359-006
	7	O-RING 2-253	2	1	015-02359-007
	8	HOUSING-COVER	2	1	015-02359-008
<b>VOLUMINIZER POTENTIOMETER</b>	9	POT HOLDER	3	1	015-02359-009
	10	TUBING SUPPORT	3	4	015-02359-010
	11	GASKET	3	1	015-02359-011
	12	POTENTIOMETER MAUREY 200-P466	3	1	015-02359-012
	13	FLEXIBLE COUPLING	3	1	015-02359-013
	14	SERVO CLAMP	3	3	015-02359-014
	15	COVER BOX	3	1	015-02359-015
	16	SOC. HD. CAPSCREW (M5X0.8) X 60mm LG.	3	4	015-02359-016
	17	SOC. HD. CAPSCREW (M6X1.0) X 16mm LG.	3	4	015-02359-017
	18	LOCKWASHER 6mm	3	4	015-02359-018
<b>SV-POS POTENTIOMETER</b>	19	POTENTIOMETER DUNCAN 9610R3.4KL.0	4	1	015-02359-019
	20	POTENTIOMETER SUPPORT	4	1	015-02359-020
	21	GASKET	4	1	015-02359-021
	22	BUSHING	4	1	015-02359-022
	23	MACH. SCREW #1-72 UNF X 1/2 LG.	4	2	015-02359-023
	24	SOC. HD. CAPSCREW (M8X1.25) X 30mm LG.	4	6	015-02359-024
	25	COVER BOX	4	1	015-02359-025
	26	LOCKWASHER 8mm	4	6	015-02359-026

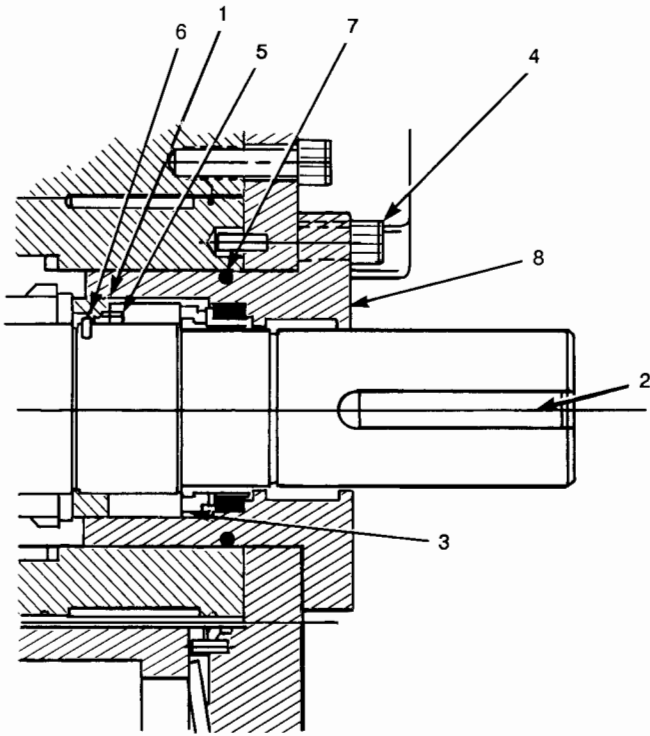


FIG. 2 – SHAFT SEAL PARTS

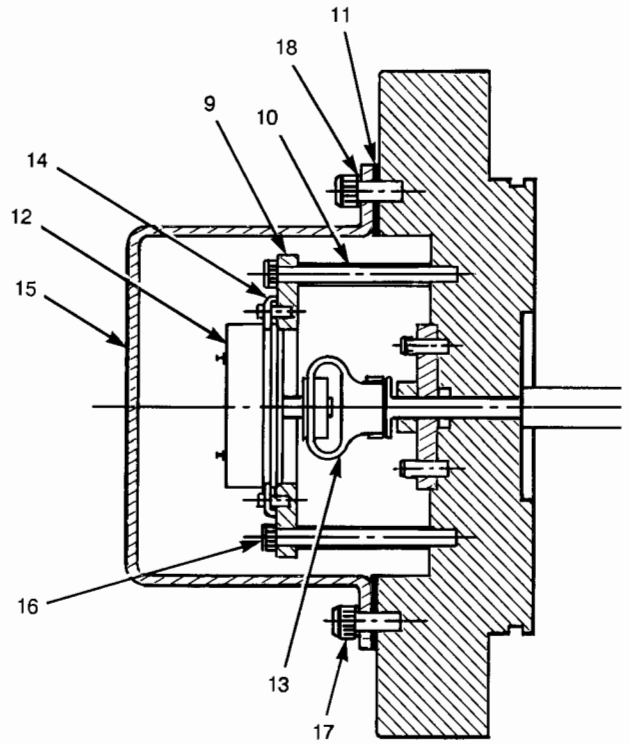


FIG. 3 – VOLUMIZER POTENTIOMETER PARTS

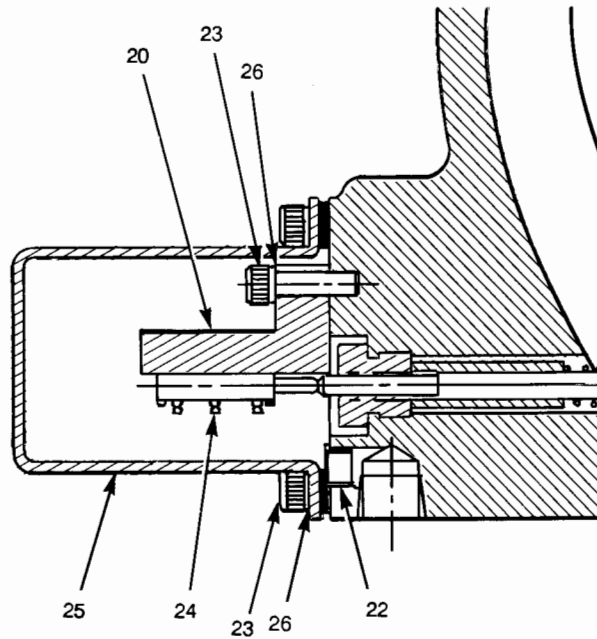


FIG. 4 – SV-POS POTENTIOMETER

