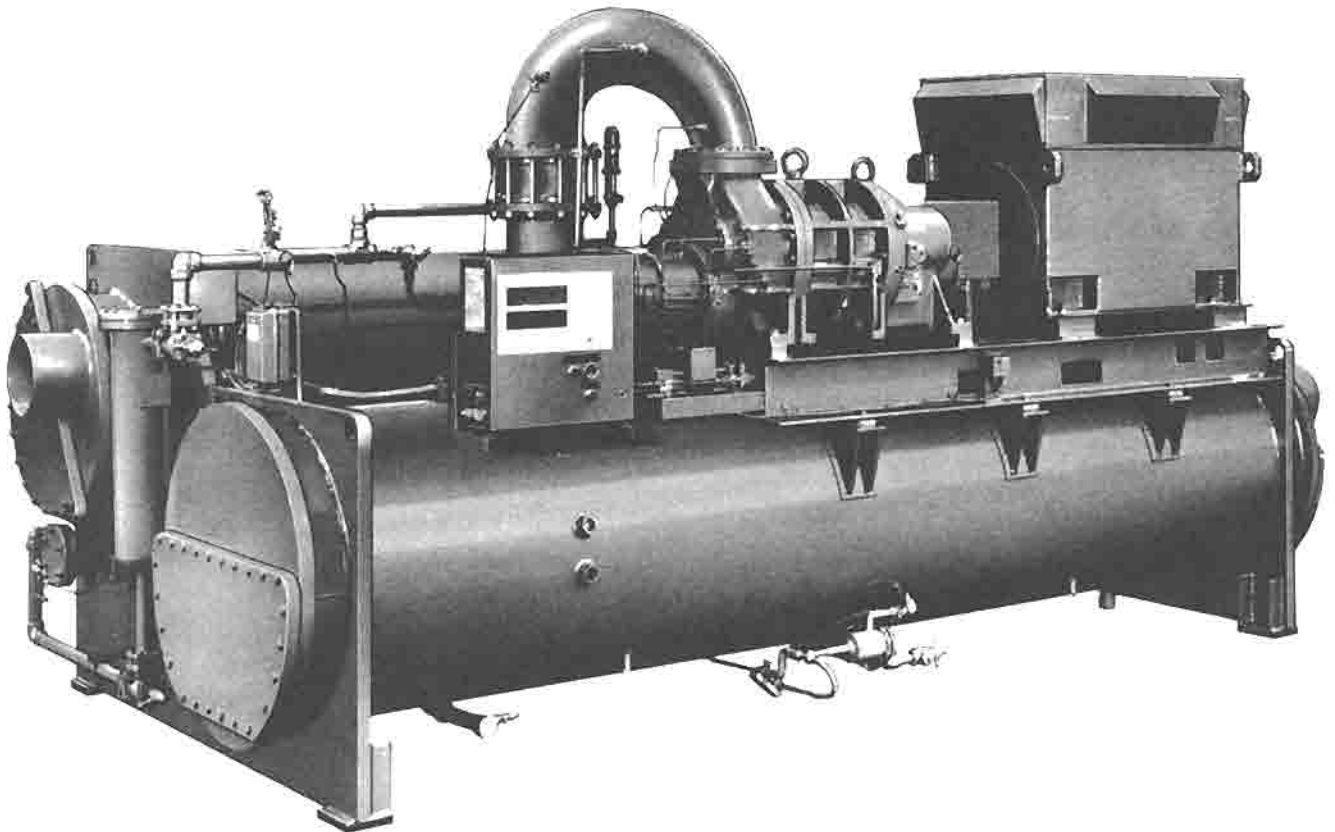


## MODEL YS NN NN S7 1000 - 1250 TONS GENERAL

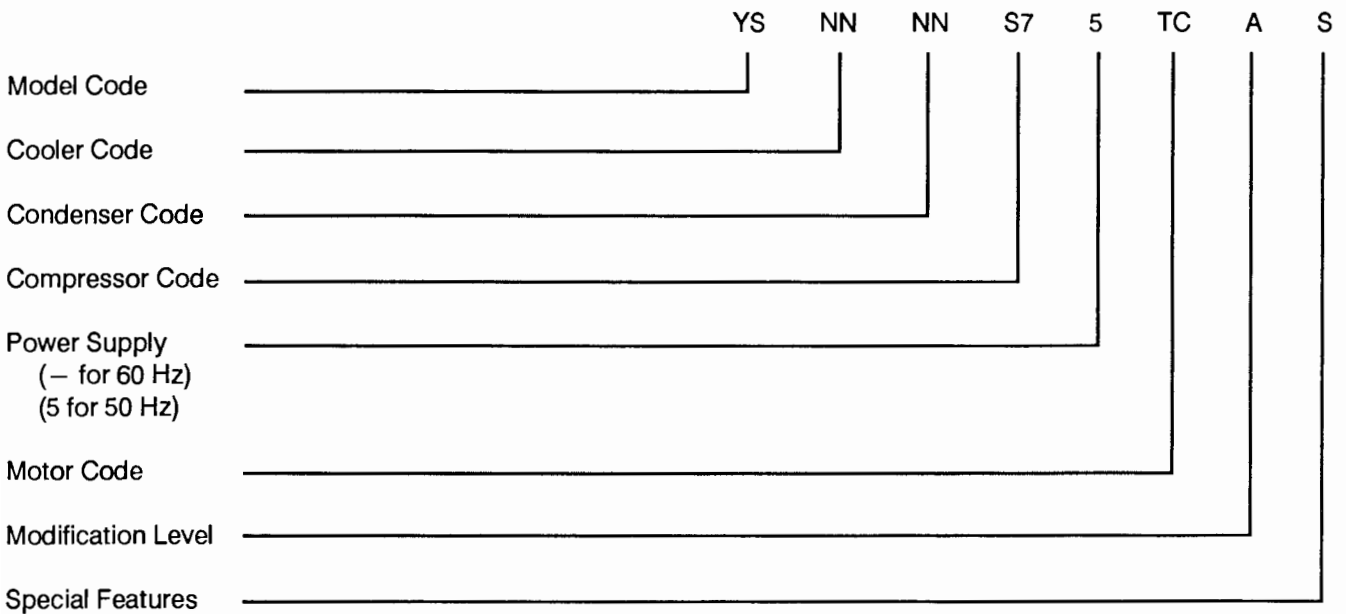


<b>REFERENCE LITERATURE:</b>	Installation Instruction .....	Form 160.65-N1
	Operation & Maintenance .....	Form 160.65-O1
	Control Center Operation and Service .....	Form 160.65-OM1
	Service, Compressor and Unit .....	Form 160.65-M1
<b>RENEWAL PARTS:</b>	General .....	Form 160.65-RP1
	Compressor .....	Form 160.65-RP2
	Control Center .....	Form 160.65-RP3
	Refrigerant Transfer Unit .....	Form 160.65-RP4

# TABLE OF CONTENTS

NOMENCLATURE .....	2
GENERAL AND SYSTEM PIPING .....	3-4
ELECTRICAL .....	11
SHELL .....	12
COMPRESSOR MOTORS AND COUPLINGS .....	14
OIL PUMP .....	15
ELEMENT, OIL PUMP STARTER OVERLOAD .....	15
FLOW CONTROL SWITCH .....	15
TEMPERATURE RECORDER .....	15

## NOMENCLATURE



## GENERAL AND SYSTEM PIPING

ITEM	DESCRIPTION	FIG. NO.	QUAN. PER UNIT	PART NO.
1	KIT, ISOLATOR	1	1	028-11973-000
2	VALVE CHECK 12-150# ANSI	1	1	022-06153-000
3	SHIM, MOTOR MTG.	1	4	067-85256-000
4	SHIM, MOTOR MTG.	1	4	067-85257-000
5	SHIM, MOTOR MTG.	1	4	067-85258-000
6	SHIM, MOTOR MTG.	1	8	067-85259-000
7	GASKET, RD. 13-3/8	1	1	028-11007-009
8	GASKET, RD. 16-1/8	1	2	028-10386-015
9	GASKET, RD. 14-1/4	1	2	028-11007-002
10	ROD, TIE 7/8 - 9 UNC	1	12	021-16834-000
11	SCREW, METRIC CAP. HEX. HD.	1	12	021-16713-000
12	SCREW, METRIC CAP. HEX. HD.	1	16	021-17387-000
13	SCREW, CAP HEX. HD. 1-1/4 7 UNC	1	4	021-16772-000
14	WASHER, PLAIN 1-5/16 ID	1	4	021-05161-000
15	LOCKWASHER, HEL. SPRING 1-1/4 REG.	1	4	021-05278-000
16	NUT, HEX. HEAVY 1-1/4	1	4	021-17502-000
17	SCREW, CAP HEX. 7/8 UNC	1	4	021-12914-000
18	WASHER, PLAIN 15/16 ID	1	4	021-05158-000
19	NUT, HEX. HEAVY 7/8 - 9 UNC	1	16	021-00513-000
20	SHIM, MOTOR MTG.	1	8	067-85260-000
21	SCREW, CAP HEX. 3/4 - 10 UNC	1	4	021-02769-000
22	ISOLATOR, RUBBER 1-1/2 DIA.	1	8	028-08474-000
23	NUT, HEX. 3/8 - 16 UNC-2B	1	16	221-00467-800(10)*
24	LOCKWASHER, HEL. SPR. 3/8	1	16	021-08288-000
25	SCREW, CAP HEX. 5/8 - 11 UNC	1	6	021-02763-000
26	WASHER, BEV. 1-1/2 SQ.	1	6	021-01337-000
27	NUT, SELF. LOCK. HEX.	1	6	021-12672-000
28	BLANKET, ACOUSTIC COMPR.	1	1	010-05478-000
29	TRANSDUCER, PRESSURE	1, 2, 5	3	025-28704-001
30	TRANSDUCER, PRESSURE	14	1	025-28704-002
31	VALVE, CONTROL FISHER	3	1	022-08456-000
32	FILTER, OIL 2 ELEMENT	2	1	026-31233-000
33	ISOLATOR, VILTER STEDY.	1, 2, 4	4	026-30229-000
34	VALVE, STOP ANGLE 1/4 NPTE	1, 2, 4, 5	12	022-05089-000
35	ISOLATOR, UNIT MTG. PAD	2	4	028-10519-000
36	VALVE, STOP ANGLE 3/8 NPTE	2, 5	2	022-06295-000
37	VALVE, STOP ANGLE 1/2 NPTE	6	1	022-08137-000
38	VALVE, STOP ANGLE 3/4 NPTE	7	1	022-03778-000
39	VALVE, STOP ANGLE 1 NPTE	4	1	022-08477-000
40	VALVE, ANGLE SEAL CAP	4, 6, 8	4	022-08446-001

\* THE NUMBER IN PARENTHESIS, EXAMPLE (20), IS THE QUANTITY SUPPLIED IN A PARTS PACKAGE.

## GENERAL AND SYSTEM PIPING (Con't)

ITEM	DESCRIPTION	FIG. NO.	QUAN. PER UNIT	PART NO.
41	VALVE, ANGLE SEAL CAP	6	1	022-08446-002
42	VALVE, ANGLE SEAL CAP	6	2	022-08446-004
43	VALVE, ANGLE SEAL CAP	2	2	022-08446-006
44	VALVE, REG. PRESSURE DIFF.	7	1	022-08501-000
45	VALVE, RELIEF DUAL ASSY.	7	1	022-08446-008
46	VALVE, RELIEF 3/4 X 1/2	7	1	022-08446-009
47	VALVE, CHECK DISCHARGE 2"	6	1	022-07845-006
48	VALVE, SOLENOID 3/4 PORT	7	1	025-28708-000
49	VALVE, BALL 1" NPTI X 1	1	1	022-06873-000
50	SUBPLATE, SOLENOID VALVE	5	2	029-20733-000
51	GAUGE, PRESSURE 2-1/2" DIA.	7	1	026-30094-000
52	STRAINER, Y CONN. 1-1/2 NPTI	6	1	029-14018-000
53	REGULATOR, PRESS. DIFF 1' SOC. WELL	7	1	022-08457-000
54	TRANSMITTER LEVEL	6	1	025-27555-000
55	EDUCTOR, OIL RETURN	4	1	366-78003-000
56	FILTER, SUCTION LESS CORE	4	1	026-31368-000
57	ELEMENT, FILTER	4	1	026-31369-000
58	SWITCH, FLOAT	6	6	024-25271-000
59	GASKET, NON ASB RD 4-3/8	6	2	028-10386-000
60	SCREW, CAP HEX. SOC. HD. 1/4	5	4	221-02580-800(5)*
61	LOCKWASHER, HEL SPR. 1/4"	5	4	221-05267-800(20)*
62	NUT, 1/4-20 UNC	5	4	221-00450-800(10)*
63	SCREW, CAP HEX. 3/8 - 16 UNC	9	4	221-01485-800(5)*
64	LOCKWASHER, HEL SPR. 3/8"	9	4	221-05269-800(20)*
65	NUT, HEX. 3/8 - 16 UNC	9	4	221-00466-800(10)*
66	SCREW, CAP HEX. 1/2 - 13 UNC	2	2	221-01567-800(5)*
67	LOCKWASHER, HEL SPR. 1/2"	2	2	221-05271-800(20)*
68	NUT, HEX. 1/2 - 13 UNC	2	2	221-00485-800(10)*
69	STUD CONTS. THD. 5/8 - 11	3	8	021-16715-000
70	NUT, HEX. HVY. 5/8 - 11 UNC	3	16	221-14337-800(5)*
** 71	COOLER, OIL COMPR.	6	1	026-30009-000
** 72	VALVE, GATE 1-1/2 X 1-1/2	6	1	022-00270-000
** 73	VALVE, STOP GLOBE 1-1/2	6	1	022-00332-000
74	GUARD, COUPLING - 1000 TONS	1	1	375-01165-001
	GUARD, COUPLING - 1250 TONS	1	1	375-01165-002
75	COUPLING, 1000 TONS	1	1	029-20720-000
	COUPLING, 1250 TONS	1	1	029-20719-000
76	COMPRESSOR (SEE FORM 160.65-RP2)	1	1	015-02345-000
77	DISK, RUPTURE	7	1	026-31370-000
78	GASKET	7	2	028-10386-000
79	SCREW, HEX. HVY. 5/8 - 11 UNC	7	8	021-17391-000
80	NUT, HEX. HVY. 5/8 - 11 UNC	7	8	221-14337-800(5)*

\* THE NUMBER IN PARENTHESIS, EXAMPLE (20), IS THE QUANTITY SUPPLIED IN A PARTS PACKAGE.

\*\* UNITS SUPPLIED WITH OIL COOLER

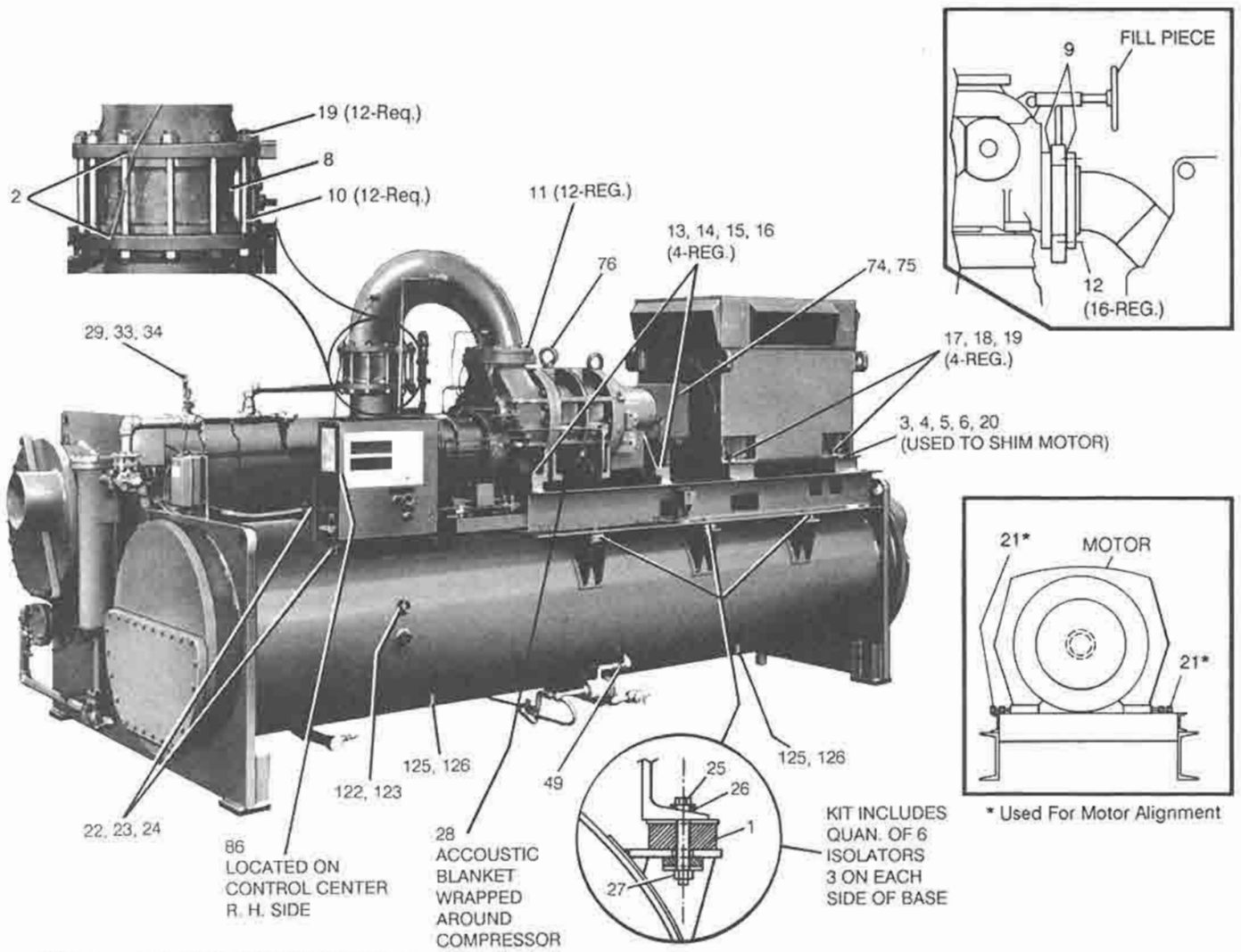


FIG. 1 - ROTARY SCREW CHILLER

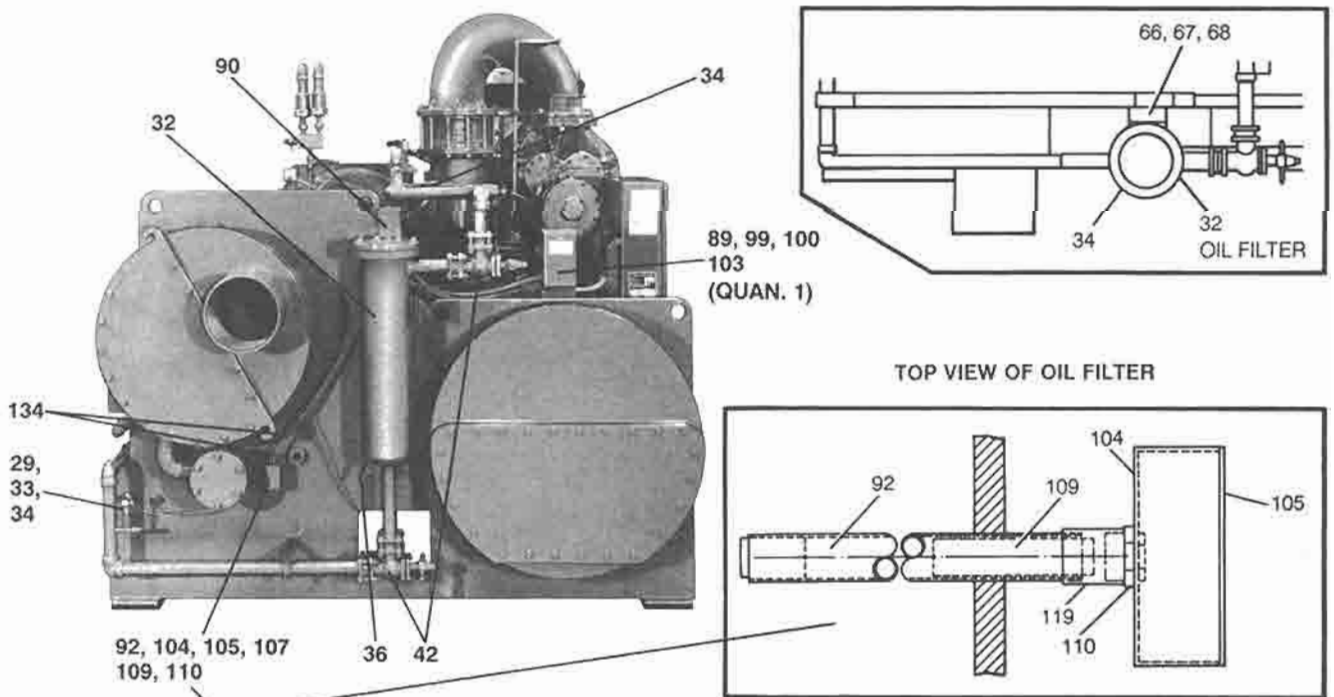


FIG. 2 - L.H. END VIEW

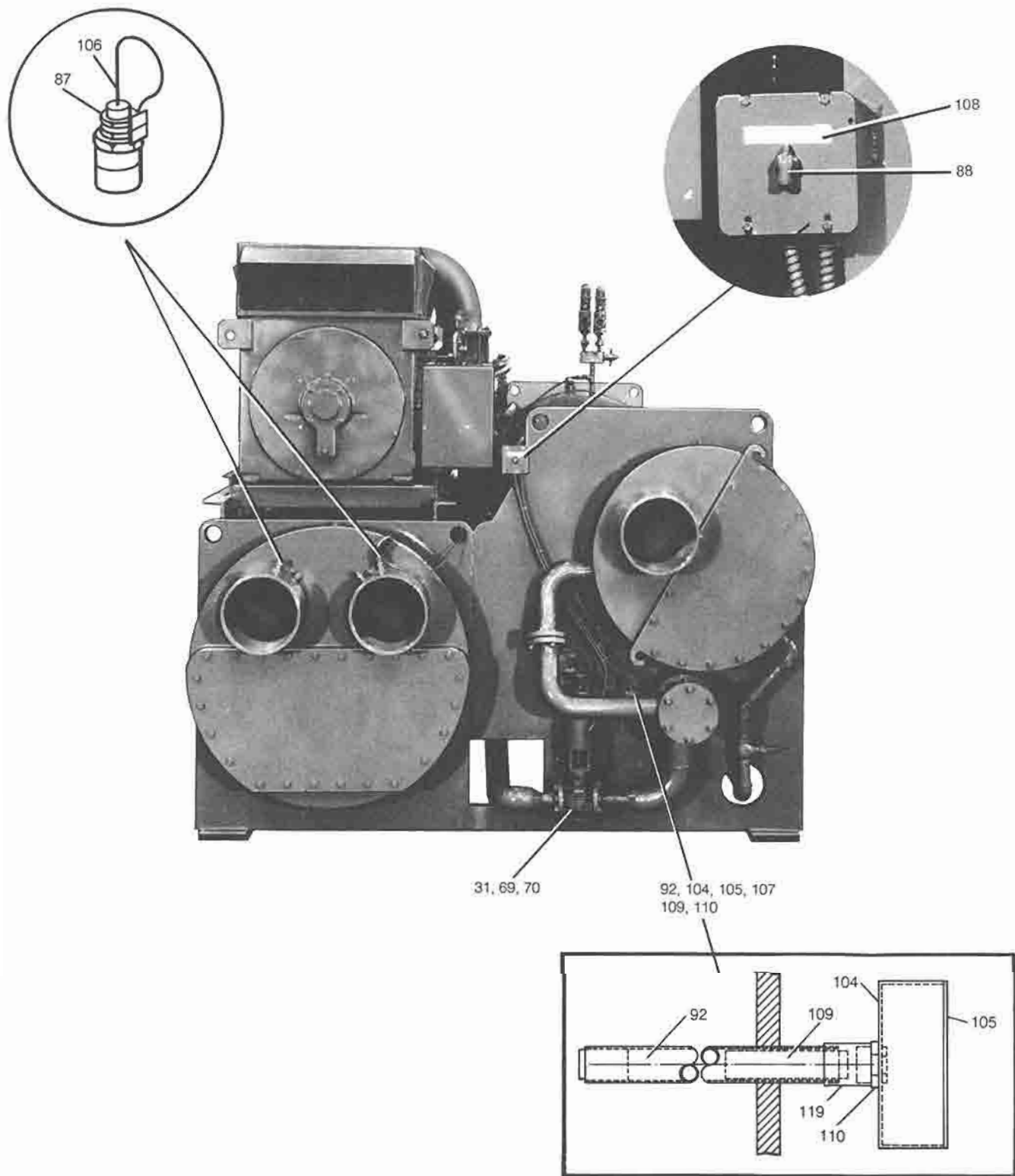


FIG. 3 – R.H. END VIEW

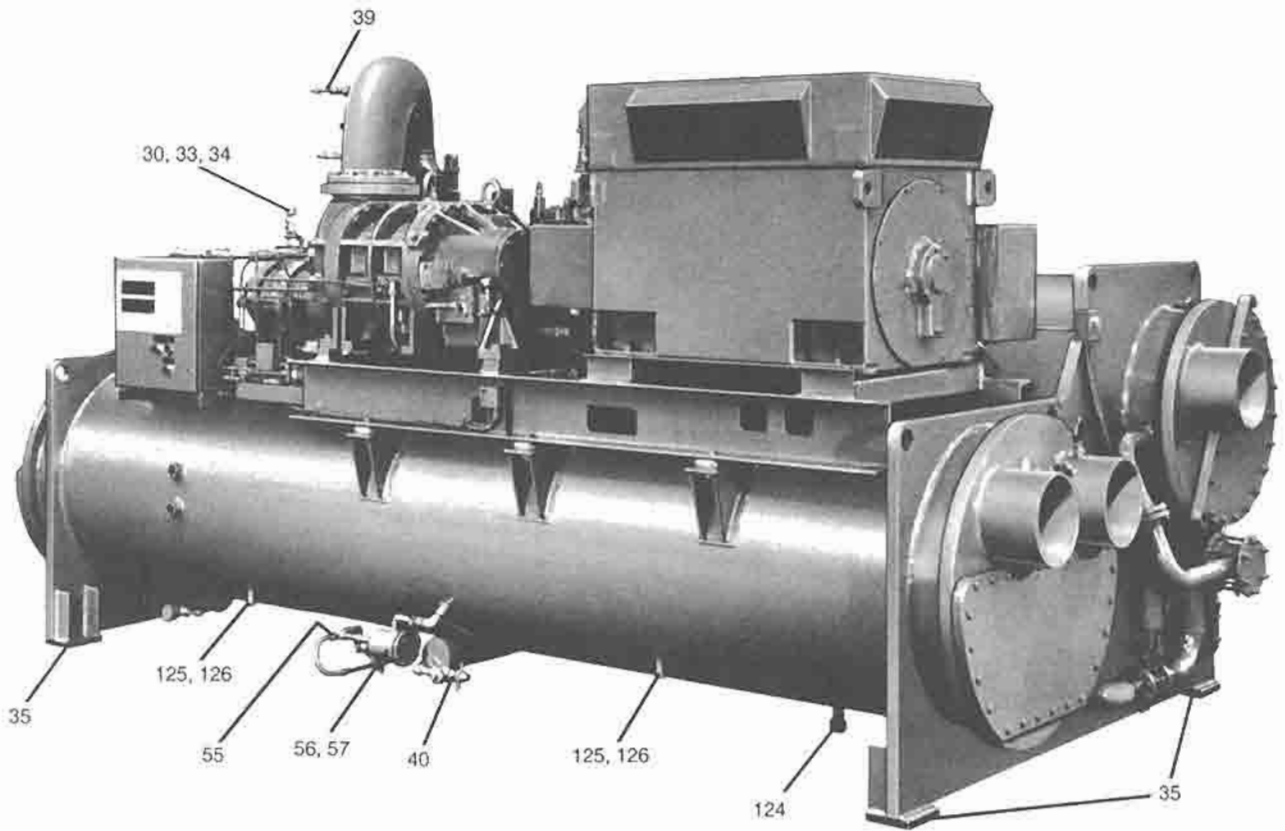


FIG. 4

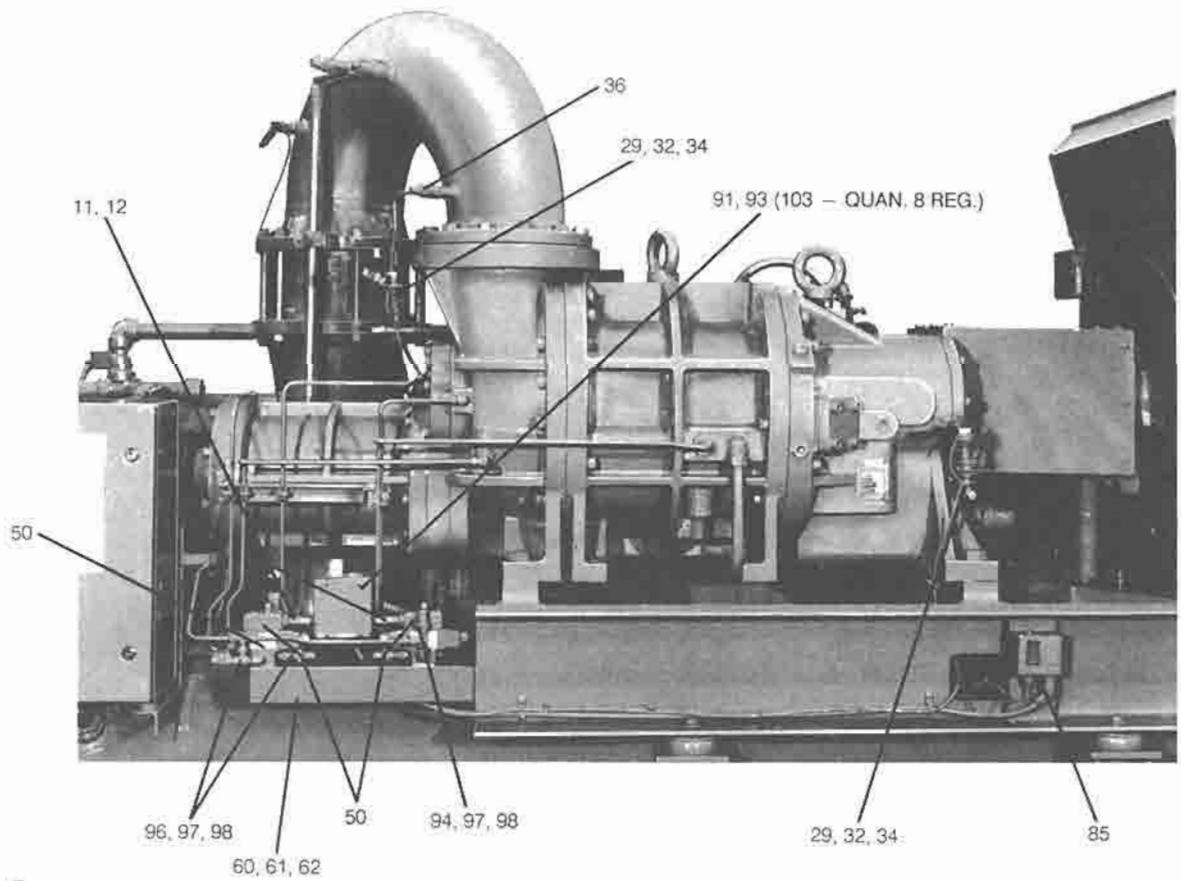


FIG. 5

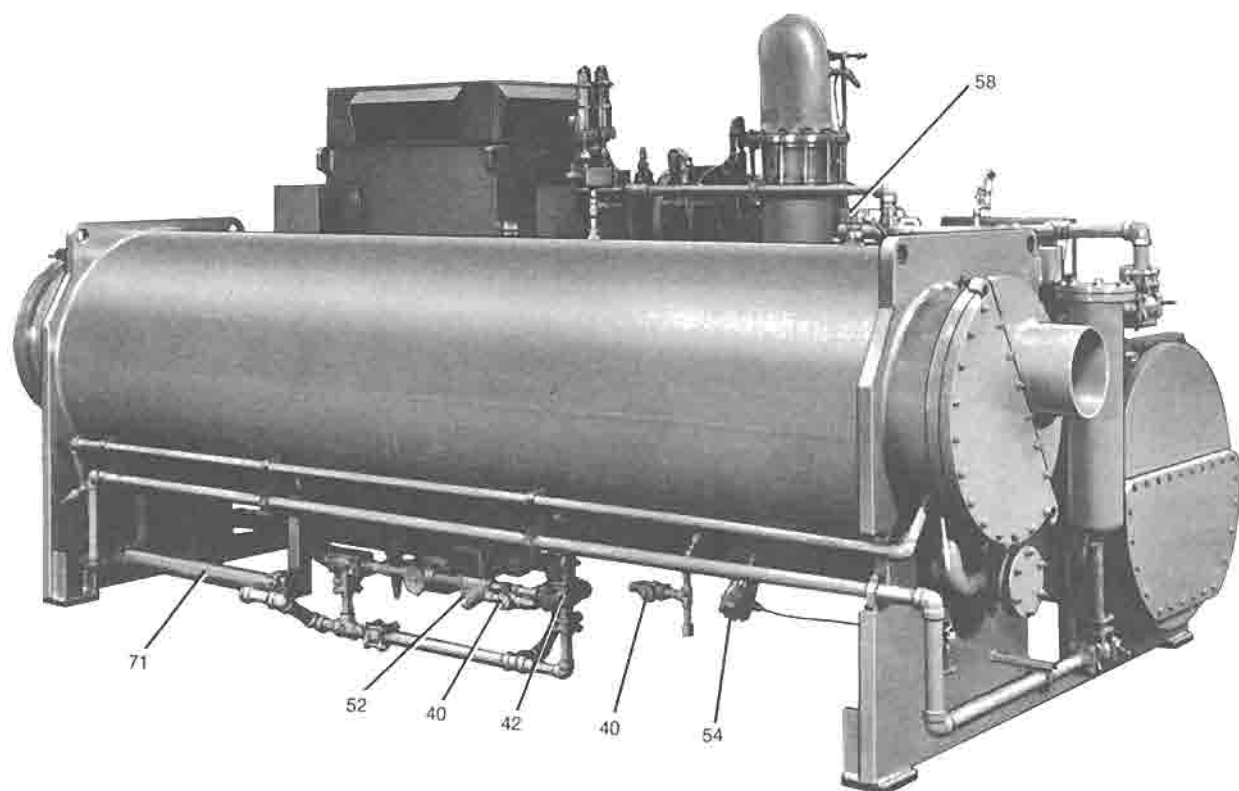
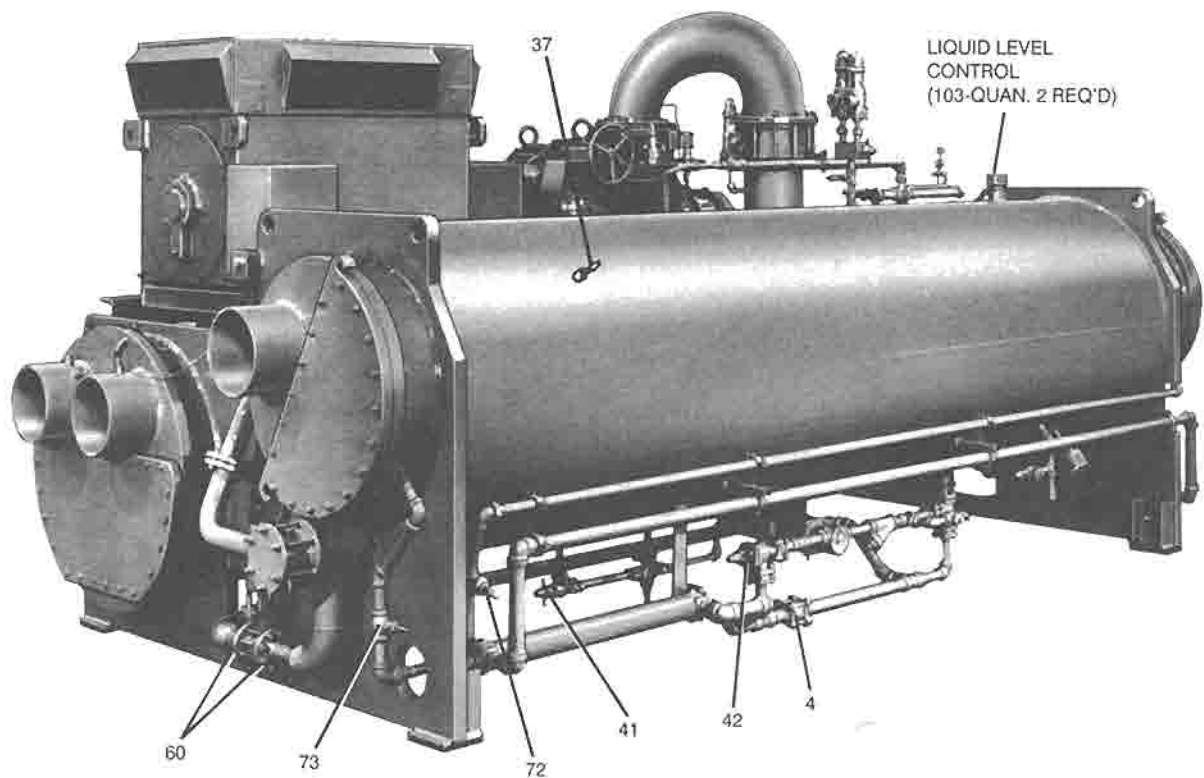


FIG. 6

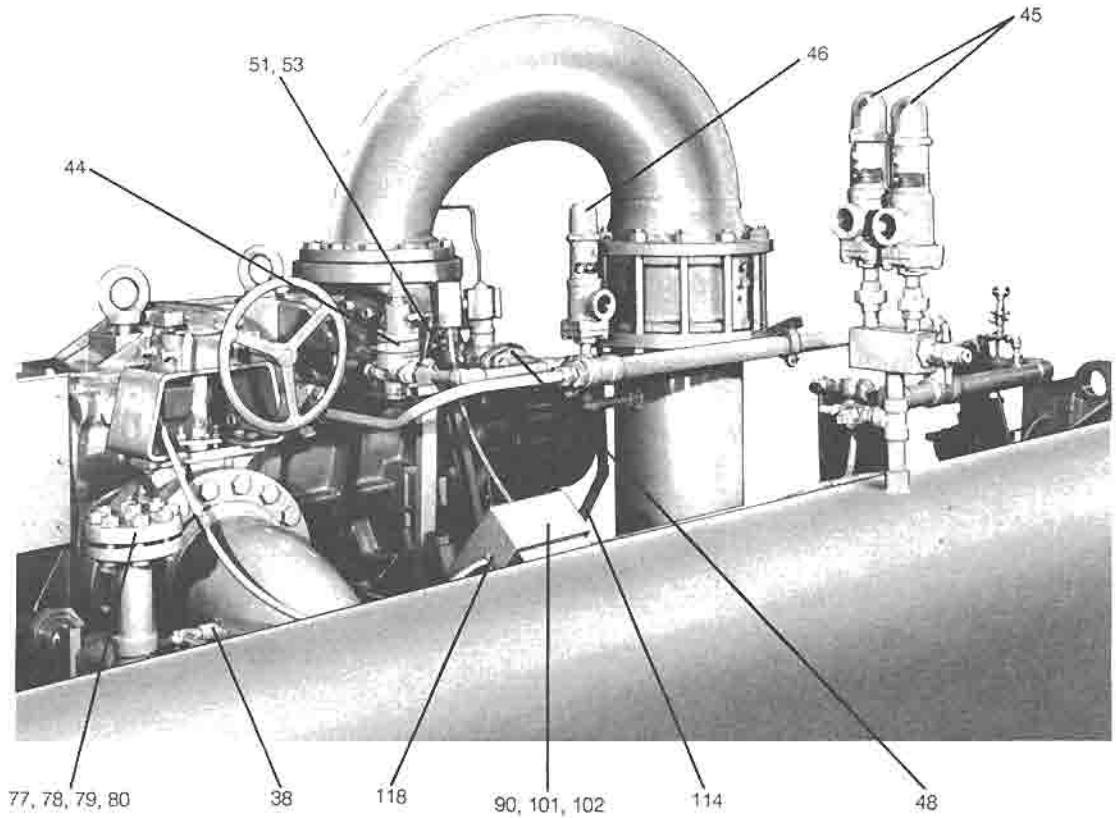


FIG. 7

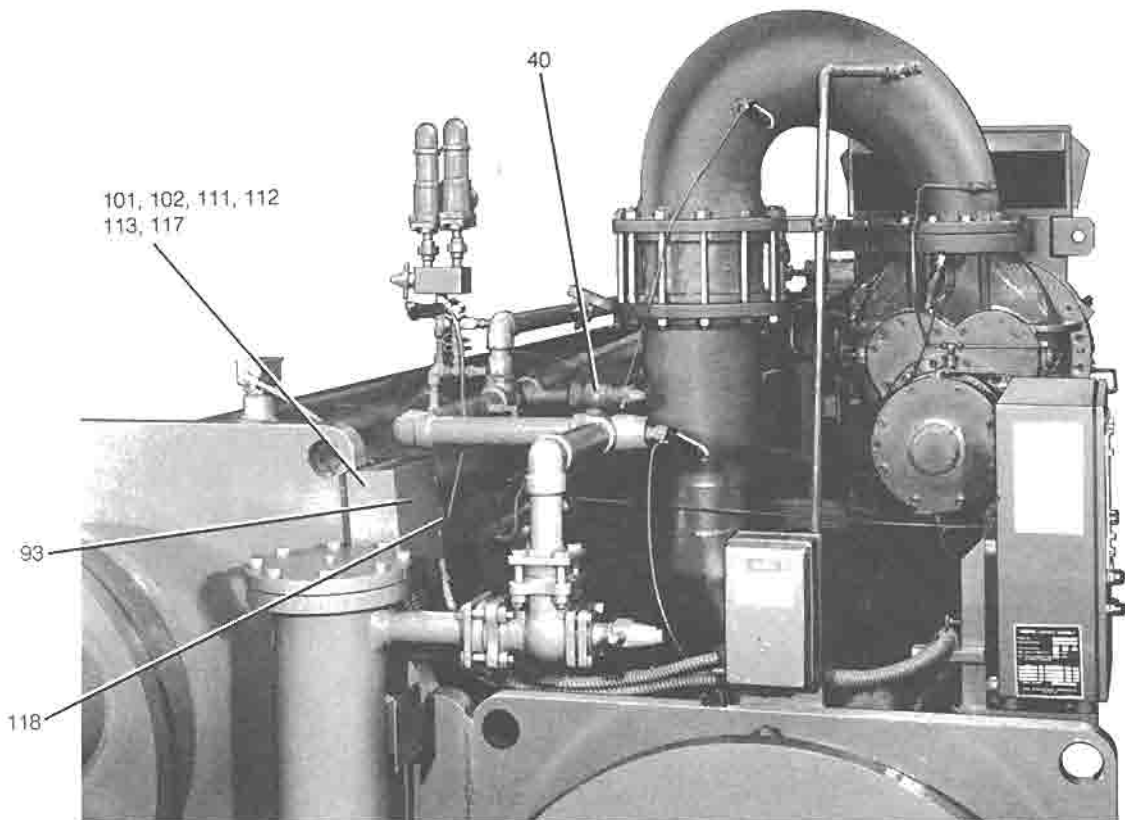
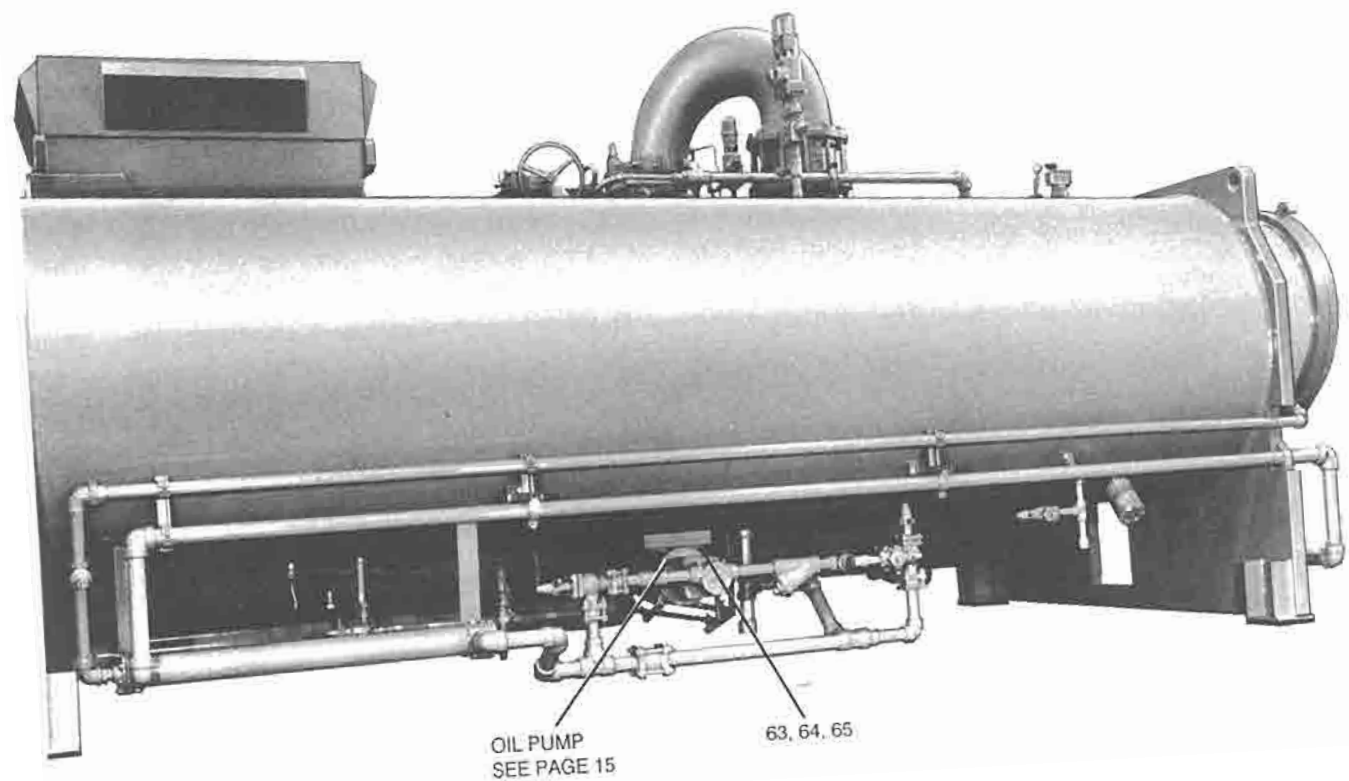


FIG. 8



OIL PUMP  
SEE PAGE 15

63, 64, 65

# ELECTRICAL

ITEM	DESCRIPTION	FIG. NO.	QUAN. PER UNIT	PART NO.
85	CONTROL, PRESSURE RANGE	5	1	025-28690-000
86	CONTROL, POWER SUPPLY	2	1	031-01041-000
87	FITTING, LIQUID TIGHT 1/2	3	5	025-28720-000
88	SWITCH, ROTARY 2 POLE	3	1	024-25270-000
89	STARTER	2	1	024-19119-000
90	BOX, JUNCTION	5, 8	2	025-28718-000
91	BOX, ELECTRICAL 4-11/16 X 292	3, 7	2	025-28719-000
92	HEATER, ELECT. 500W	2, 3	2	025-78724-000
93	COVER, BOX 4-7/8 X 4	5, 8	1	025-04913-000
94	COVER, ROTARY SWITCH	3	1	075-00679-305
95	NIPPLE, CONDUIT	5	2	025-20959-000
96	LOCKNUT, GRD 1/2 IPS	5	4	225-05701-800(5)*
97	VALVE, SOLENOID CONTROL	5	2	025-28721-000
98	KIT, BOLT VALVE	5	2	029-20734-000
99	BOX, ELECT W/LID	2	1	025-21400-000
100	ISOLATOR 1-1/4 X 3/4 LG.	2	3	023-02162-000
101	NUT, HEX 1/4 - 20 UNC	7, 8	14	221-00451-800(10)*
102	LOCKWASHER, TH INT. 1/4	7, 8	14	221-01148-000(10)*
103	SUPPRESSOR	2, 5, 6	12	031-00808-000
104	BOX, ELEC. 4-1/8 X 2-1/2	2, 3, 6	3	025-14547-000
105	COVER, BOX 4-1/8	2, 3, 6	3	025-14548-000
106	PROBE, TEMP TRANSMITTER	3	5	025-28723-000
107	NIPPLE, CHASE 1/2 IPS	2, 3, 6	3	025-05806-000
108	LABEL, ROTARY SWITCH	3	1	035-08620-000
109	SPACER, 4-1/2 LG. 3/4 ENT	2, 3	2	075-00679-000
110	REDUCER, CONDUIT THREADED	2, 3	2	025-11879-000
111	SCREW, MACH. PAN HD.	8	2	221-02459-800(10)*
112	NUT, HEX. #10	8	2	021-08282-000
113	LOCKWASHER, INT. TH. #10	8	2	221-01137-800(10)*
114	CONNECTOR, CND EMT STR 3/4	7, 8	2	021-10984-000
115	LABEL, FIELD WIRING 1250		1	035-08623-000
116	LABEL, FIELD WIRING 1250		1	035-08624-000
117	SCREW, CAP HEX. 1/4 - 20 UNC	7, 8	8	221-14285-800(6)*
118	CONNECTOR, CND EMT. 1/2	7, 8	2	025-10983-000
119	COUPLING PIPE	3	2	023-01577-000
120	HEAT CONDUCTIVE COMPOUND	3	AS REQ'D	013-00898-000

\* THE NUMBER IN PARENTHESIS, EXAMPLE (10), IS THE QUANTITY SUPPLIED IN A PARTS PACKAGE.

## SHELLS COOLER

ITEM	DESCRIPTION	FIG. NO.	QUAN. PER UNIT	PART NO.
121	TUBES, TURBO-B	11	928	007-07646-000
122	BODY, SIGHT GLASS	2	1	066-89321-000
123	KIT, SIGHT GLASS	2	1	366-93119-000
124	CAP, PIPE 3/4	4	1	023-10835-000
125	PLUG, FLALS 1-1/16 - 12 UNC	1, 4	4	076-63713-000
126	SEAL, "O" RING .924 ID	1, 4	4	028-07848-000
127	GASKET, CHANNEL 70	10	3 FT.	028-09951-000
128	GASKET, WATER HEAD	10	19 FT.	028-03242-000
129	STUD, 5/8 - 11 UNC	10	48	021-12751-000
130	NUT, HEX. 5/8 - 11 UNC	10	48	021-09287-000

## CONDENSER

ITEM	DESCRIPTION	FIG. NO.	QUAN. PER UNIT	PART NO.
131	SUBCOOLER	10, 11	1	375-00094-000
132	PLATE, SUBCOOLER	10	1	076-63575-000
133	STUD, 5/8 - 11 UNC	10	36	021-12752-000
134	PLUG, SIGHT	2	2	026-18004-000
135	SCREW, CAP HEX. 5/8 UNC	10	4	021-01642-000
136	NUT, HEX. HVY 5/8 - 11 UNC	10	16	021-14377-000
137	GASKET, CHANNEL 70	10	5.250 FT.	028-08373-000
138	TUBE, FIN & RIB .028 WALL (CONDENSER SUBCOOLER)	11	31	007-07871-000
139	TUBE, FIN & RIB .028 WALL (CONDENSER)	11	603	007-07867-000
140	NUT, HEX. HVY. 5/8 - 11 UNC-2	10	36	021-09287-000
141	GASKET, WATER HD.	10	16 FT.	028-03242-000
142	*GASKET, 5-3/8 OD X 3-1/2 ID	10	1	075-01479-000
143	*SCREW, CAP HEX. 5/8 - 11 UNC	10	4	021-01642-000

\* USED ON FIRST UNIT SHIPPED.

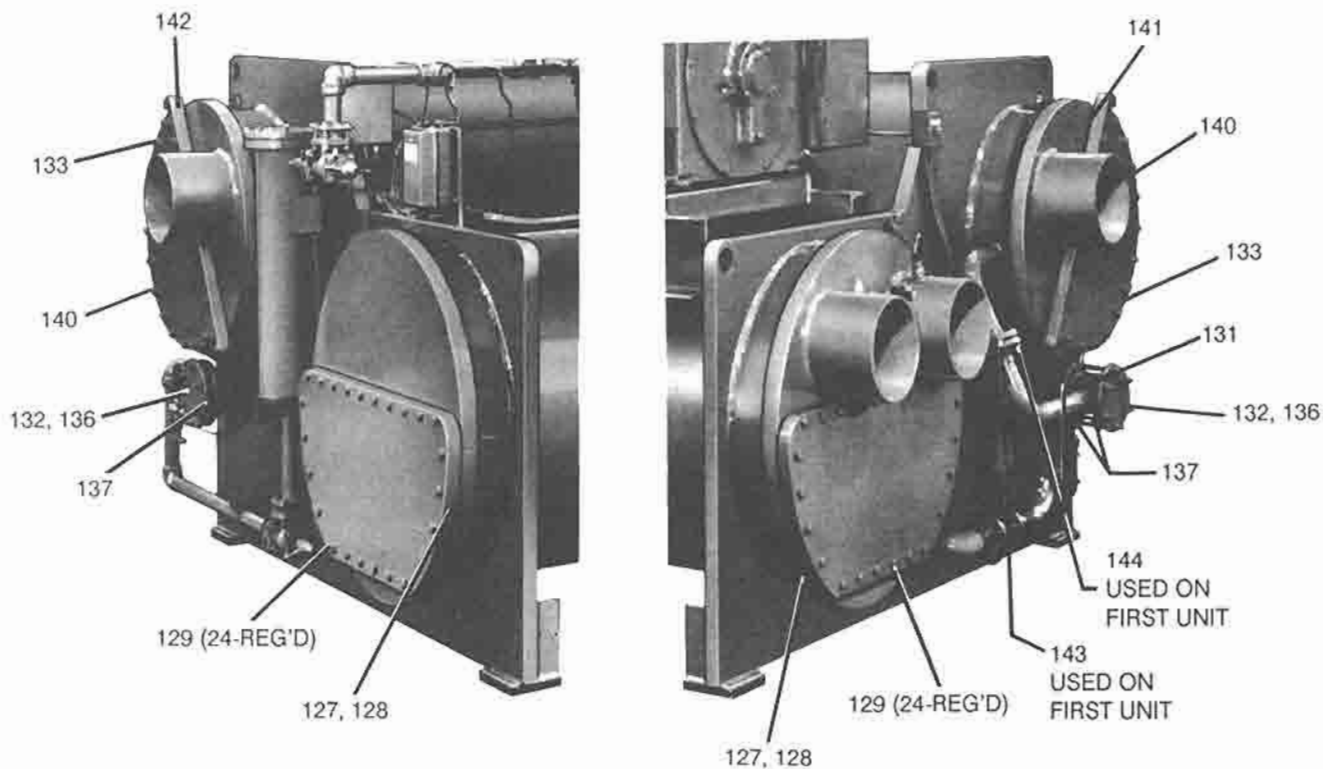


FIG. 10 - L.H. AND R.H. END VIEWS OF COOLER AND CONDENSER

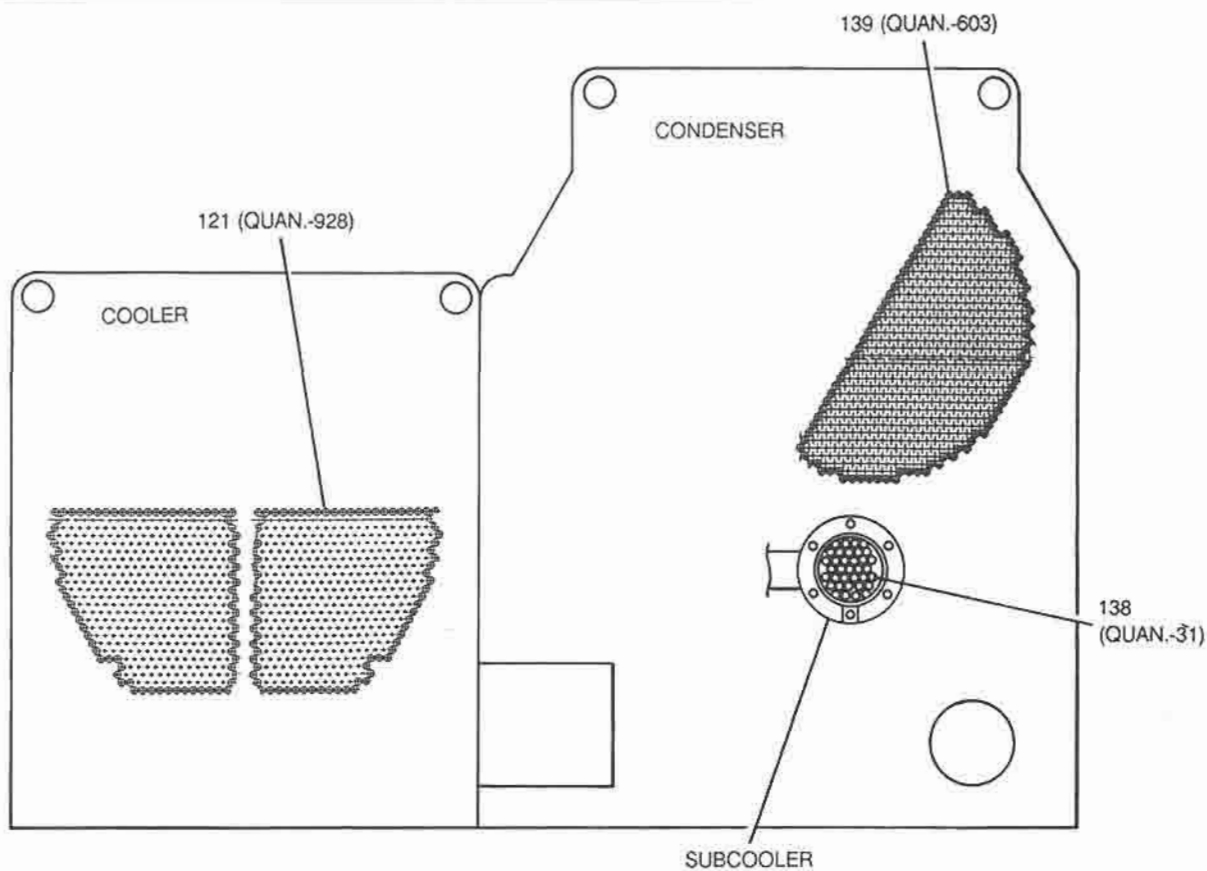


FIG. 11 - COOLER-CONDENSER R.H. END VIEW

## COMPRESSOR MOTOR AND COUPLING 60 HZ. UNITS

MOTOR CODE	NOMINAL KW (IN)	HP	VOLTAGE 60 HZ.	MOTOR P/N	COUPLING P/N
TA	625	800	380	024-25253-001	029-20720-000
TA	625	800	416	024-25253-002	029-20720-000
TA	625	800	440-460-480	024-25253-003	029-20720-000
TA	625	800	575-600	024-25253-004	029-20720-000
TA	625	800	2300	024-25253-005	029-20720-000
TA	625	800	4000-4160	024-25253-005	029-20720-000
TA	625	800	3300	024-25253-006	029-20720-000
TB	703	900	380	024-25253-009	029-20720-000
TB	703	900	416	024-25253-010	029-20720-000
TB	703	900	440-460-480	024-25253-011	029-20720-000
TB	703	900	575-600	024-25253-012	029-20720-000
TB	703	900	2300	024-25253-013	029-20720-000
TB	703	900	4000-4160	024-25253-013	029-20720-000
TB	703	900	3300	024-25253-014	029-20720-000
TC	781	1000	380	—	029-20720-000
TC	781	1000	416	—	029-20720-000
TC	781	1000	440-460-480	024-25253-019	029-20720-000
TC	781	1000	575-600	024-25253-020	029-20720-000
TC	781	1000	2300	024-25253-021	029-20720-000
TC	781	1000	4000-4160	024-25253-021	029-20720-000
TC	781	1000	3300	024-25253-022	029-20720-000
TD	971	1250	2300	024-25253-025	029-20719-000
TD	971	1250	4000-4160	024-25253-025	029-20719-000
TD	971	1250	3300	024-25253-026	029-20719-000

## 50 HZ. UNITS

MOTOR CODE	NOMINAL KW (IN)	HP	VOLTAGE 50 HZ.	MOTOR P/N	COUPLING P/N
5TA	625	800	346	024-25253-101	029-20720-000
5TA	625	800	380-400	024-25253-102	029-20720-000
5TA	625	800	415	024-25253-103	029-20720-000
5TA	625	800	440	024-25253-104	029-20720-000
5TA	625	800	500	024-25253-105	029-20720-000
5TA	625	800	2300	024-25253-106	029-20720-000
5TA	625	800	3000	024-25253-107	029-20720-000
5TA	625	800	3300	024-25253-108	029-20720-000
5TB	703	900	346	—	029-20720-000
5TB	703	900	380-400	024-25253-111	029-20720-000
5TB	703	900	415	024-25253-112	029-20720-000
5TB	703	900	440	024-25253-113	029-20720-000
5TB	703	900	500	024-25253-114	029-20720-000
5TB	703	900	2300	024-25253-115	029-20720-000
5TB	703	900	3000	024-25253-116	029-20720-000
5TB	703	900	3300	024-25253-117	029-20720-000
5TC	781	1000	346	—	029-20720-000
5TC	781	1000	380-400	—	029-20720-000
5TC	781	1000	415	—	029-20720-000
5TC	781	1000	440	—	029-20720-000
5TC	781	1000	500	—	029-20720-000
5TC	781	1000	2300	024-25253-124	029-20720-000
5TC	781	1000	3000	024-25253-125	029-20720-000
5TC	781	1000	3300	024-25253-126	029-20720-000
5TD	971	1250	2300	024-25253-130	029-20719-000
5TD	971	1250	3000	024-25253-131	029-20719-000
5TD	971	1250	3300	024-25253-132	029-20719-000

**OIL PUMP**

VOLTAGE	H/P	PART NO.
380-3-60	3	026-31374-000
416-3-60	3	026-31375-000
440/460/480-3-60	3	026-31376-000
575/600/3-60	3	026-31377-000
346-3-50	2.5	026-31378-000
380/400-3-50	2.5	026-31379-000
415-3-50	2.5	026-31380-000

SHAFT SEAL PART NO. 026-31587

**ELEMENT,  
OIL PUMP STARTER OVERLOAD**

VOLTAGE	PART NO.
380-3-60	024-19425-000
416-3-60	024-25272-000
440/460/480-3-60	024-23964-000
575/600/3-60	024-19428-000
346-3-50	024-25272-000
380/400-3-50	024-25272-000
415-3-50	024-23964-000

QUANTITY (3) ELEMENTS REQ'D. PER UNIT.

**SWITCH FLOW  
CONTROL**

DWP	MODEL	PART NO.
150	FS8W	024-15793-000
300	FS7-4W	024-12144-000

**TEMPERATURE  
RECORDER**

HERTZ	PART NO.	NO. OF PENS
60	025-09658	1
	025-09823	2
50	025-12650	1
	025-12330	2

