



MODEL YR SCREW LIQUID CHILLERS

RENEWAL PARTS

New Release

Form 160.81-RP3 (501)

GRAPHIC CONTROL CENTER

- 371-02772-101 (Electro-Mechanical Starter - NEMA 1)
- 371-02774-101 (Electro-Mechanical Starter - CE)
- 371-02773-101 (Electro-Mechanical Starter - NEMA 4/12)
- 371-02772-102 (Solid State Starter - NEMA 1)
- 371-02774-102 (Solid State Starter - CE)
- 371-02773-102 (Solid State Starter - NEMA 4/12)

MODEL YR (STYLE A)

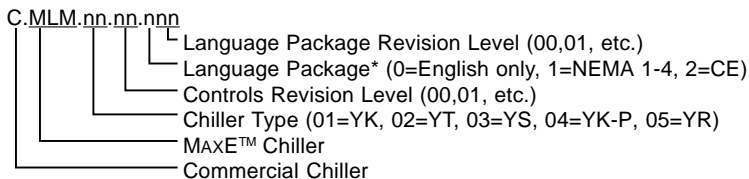


ITEM	DESCRIPTION	FIG. NO.	QTY.	PART NO.
1	TERMINAL BLOCK (NEMA 1, 4, 12) (CE)	2 2	1	025-33290-000 025-34121-000
2	INPUT/OUTPUT BOARD	2	1	031-01743-001
3	MICROPROCESSOR BOARD (Note 2) * Includes Microprocessor Board 031-01730-000 and latest version of Flash Memory Card 031-02068-001.	2	1	331-01730-605
4	POWER SUPPLY	2	1	025-34111-000
5	TRANSFORMER	6	1	025-30889-000
6	KEYPAD (NEMA 1) (NEMA 4/12 & CE)	1 1	1	024-27840-001 024-27840-007
7	FUSE, 5A (1FU)	6	1	025-14019-000
8	FASTENER, PAWL, ADJUSTABLE (NEMA 1)	1	1	021-17252-000
9	SWITCH ROCKER (NEMA 1)	1	1	024-23143-000
10	DISPLAY KIT (Note 1)	1	1	331-01771-000
11	COVER, DISPLAY	5	1	071-02264-346
12	CABLE, RIBBON (NEMA 1) (NEMA 4/12 & CE)	5 5	1	031-01772-000 031-02015-000
13	CABLE, RIBBON (Electro-Mech. Starter App. Only)	2	1	031-01779-000
14	EPROM, BIOS (U45)	2	1	031-01796-002
15	FUSEHOLDER (For Item 48 and 49)	6	1	025-34565-000
16	FUSE, 15A (2FU)	6	1	025-14384-000
17	FUSEHOLDER (For Item 7, 16 and 19)	6	3	025-13991-000
18	CABLE, RIBBON (Electro-Mech. Starter App. Only)	3	1	031-01799-000
19	FUSE, 2A (3FU)	—	—	025-33116-000
20	FLASH MEMORY CARD, PROGRAMMED (U46). Refer to note 5 for version analysis. <u>Version C.MLM.nn.nn.nnn</u> Allows Display Screens to be displayed in English language. Supplied in new NEMA 1-4 OptiView Control Centers, but can be installed in any OptiView Control Center.	2	1	031-02068-001
21	SWITCH, KNOB SELECTOR (NEMA 4/12, CE)	4	1	024-30931-000
22	CONTACT BLOCK (NEMA 4/12, CE)	4	2	024-30932-000
23	BUSS BAR (GROUND) (NEMA 4/12, CE)	7	1	025-34122-000
24	SUPPRESSOR (Note 3)		6	031-00808-000
25	CONTROL, CURRENT MOD. CM-2 (Electro-Mech. Starter App. Only)	3	1	031-00947-000
26	DIODE BRIDGE (Electro-Mechanical Starter App. Only)	3	1	031-00210-000
27	RESISTOR, VARIABLE (Electro-Mechanical Starter App. Only)	3	2	025-20789-000
28	IC, BRAM-U52	2	1	031-02028-000
29A	TRANSDUCERS CONDENSER, OIL, DISCHARGE			025-28678-006
29B	EVAPORATOR – R134a, WATER & BRINE			025-28678-112
	ALL TRANSDUCERS SUPPLIED WITH “O-RINGS”			
29E	SEAL, O-RING, FOR ITEMS 29A and 29B			028-12961-002
30A	THERMISTORS ENTERING CHILLED WATER TEMPERATURE			025-29964-000
30B	LEAVING CHILLED WATER TEMPERATURE			025-29964-000
30C	SENSOR WELL WITH THREADED TOP			026-32328-000
30D	ENTERING CONDENSER WATER TEMPERATURE			025-28935-000
30E	LEAVING CONDENSER WATER TEMPERATURE			025-28935-000
30F	DISCHARGE/OIL TEMPERATURE (Straight threads with “O-Ring”)			025-31301-000
30G	SEAL, O-RING FOR ITEMS 30F			028-12961-004
31	CIRCUIT BREAKER, POLE, 6A (CE)	7	1	024-30935-000
32	SWITCH, DISCONNECT (CE)	7	1	024-34171-000
33	CIRCUIT BREAKER, 25A (CE)	7	1	024-30956-000
34	CIRCUIT BREAKER 16A (CE)	7	1	024-30947-000
35	CIRCUIT BREAKER (CE)	7	1	024-30936-000
36	MOUNT, ANTI-VIBRATION	2	4	021-19191-000

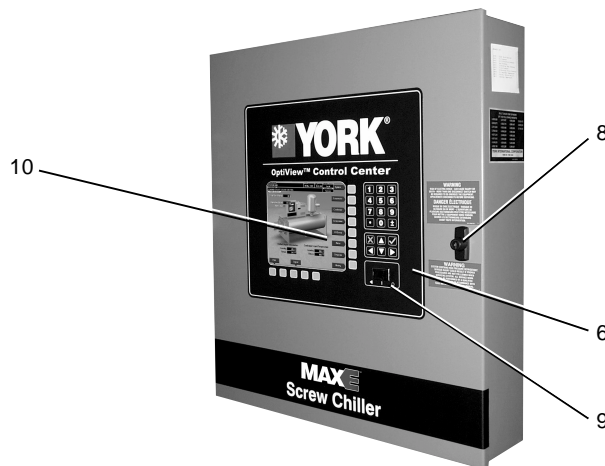
ITEM	DESCRIPTION	FIG. NO.	QTY.	PART NO.
37	BACKLIGHT BULB	8	1	See Note 4
38	BACKLIGHT INVERTER BOARD	8	1	See Note 4
39	BACKLIGHT INVERTER BOARD RIBBON CABLE	8	1	See Note 4
40	DISPLAY INTERFACE BOARD	8	1	See Note 4
41	DISPLAY INTERFACE BOARD RIBBON CABLE	8	1	031-01769-000
42	STRIP, NEOPRENE	8	2.8 FT	028-07533-000
43	MICROGATEWAY (OPTIONAL)	2	1	031-02039-000
44	ANALOG INPUT/OUTPUT BOARD (OPTIONAL) (Head Pressure Control)	2	1	371-02777-000
45	EVAPORATOR REFRIGERANT TEMPERATURE SENSOR		1	025-34159-000
46	EPROM, MICROGATEWAY	2	1	See 450.00-RP1
47	FUSE, F1 & F2, 5 Amp (Rev. "E" and later Microboards Only)	9	2	025-34592-000
48	FUSE, 5A (4FU, 6FU)	6	2	025-15759-000
49	FUSE, 4A (5FU)	6	1	025-34566-000

NOTES:

- The replacement Liquid Crystal Display supplied by YORK might not be by the same manufacturer as the original Display. Each Display requires a specific Display Interface Board (Item 40), Backlight Inverter Board (Item 38), and Backlight Inverter Board ribbon cable (Item 39). Therefore, the Liquid Crystal Display is not available separately. **Service replacement Displays or supporting components must not be arbitrarily selected! Non-compatibility of components will result in incorrect operation!** To assure compatible supporting components, the Display is supplied as a kit (331-01771-000), which contains a replacement Display and all compatible supporting components on a mounting plate. For future reference, a label attached to the side of the mounting plate (Fig. 9) lists the YORK part numbers of these compatible components and the required configuration of the Micro Board Program Jumpers. These Program Jumpers must be configured for this Display by a qualified Service Technician following instructions in YORK Service manual 160.81-M1. The contents of the kit are as follows:
 - Liquid Crystal Display
 - Backlight Bulb (Item 37)
 - Appropriate Display Interface Board (Item 41) for Display
 - Appropriate Display Interface Board ribbon cable (Item 41) for Item 40.
 - Appropriate Backlight Inverter Board (Item 38) for Display.
 - Appropriate Backlight Inverter Board ribbon cable (Item 39) for Item 40.
 - All mounting hardware.
 - Installation instructions.
- Replacement Microboards are shipped without BRAM (U52). Remove this device from defective board and use in replacement board.
- Suppressors are shipped in cloth bag. They are applied at solenoids and relays located on chiller.
- Refer to label (Fig. 8) on Display mounting plate for YORK part number of applicable replacement part. **Service replacement Display supporting components must not be arbitrarily selected! Non-compatibility of components will result in incorrect operation!**
- Flash Memory Card version analysis:



*1 = Supplied in new NEMA 1-4 OptiView Control Centers but can be installed in any OptiView Control Center.
 2 = Supplied in new CE (European Community) OptiView Control Centers but can be Installed in any OptiView Control Center.
 Return all unused Flash memory Cards with Warranty return boards.



00550VIP

FIG. 1 – FRONT OF GRAPHIC CONTROL CENTER

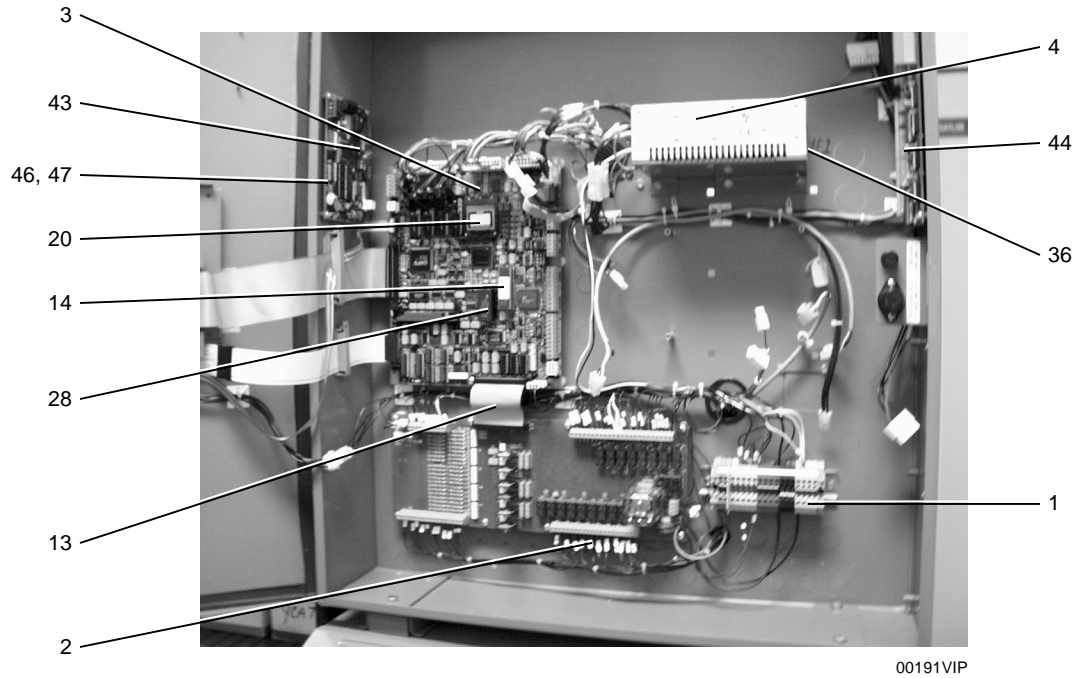


FIG. 2 – INSIDE OF CONTROL CENTER

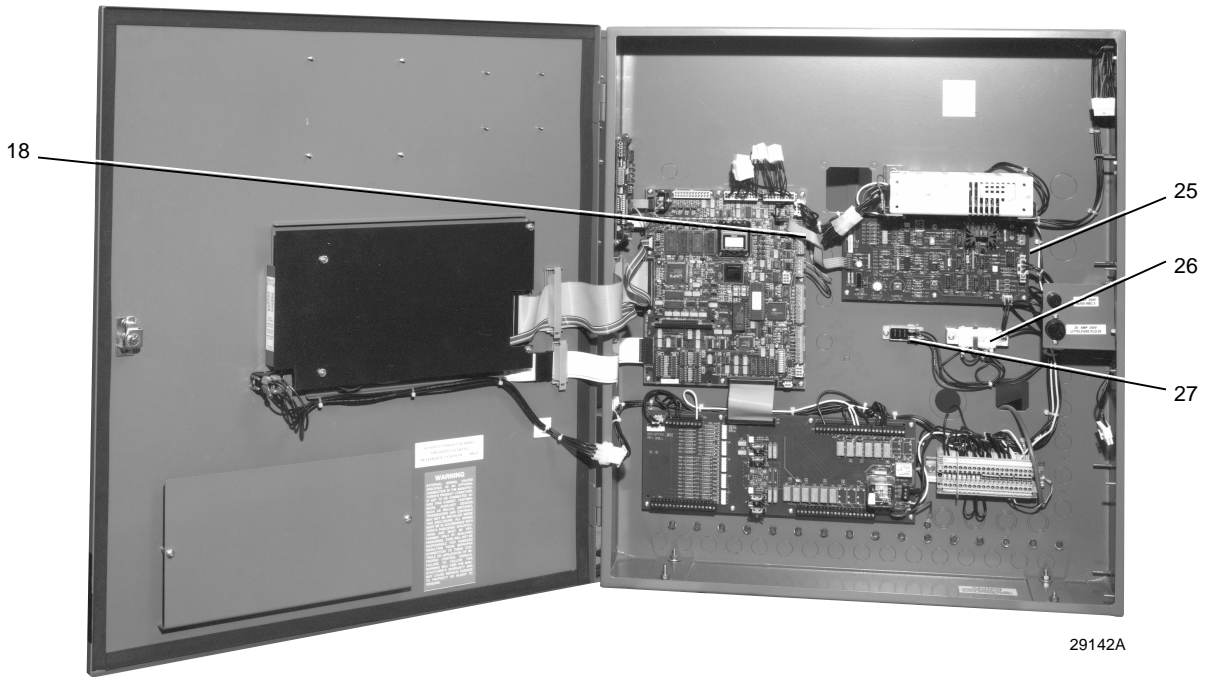


FIG. 3 – EM STARTER

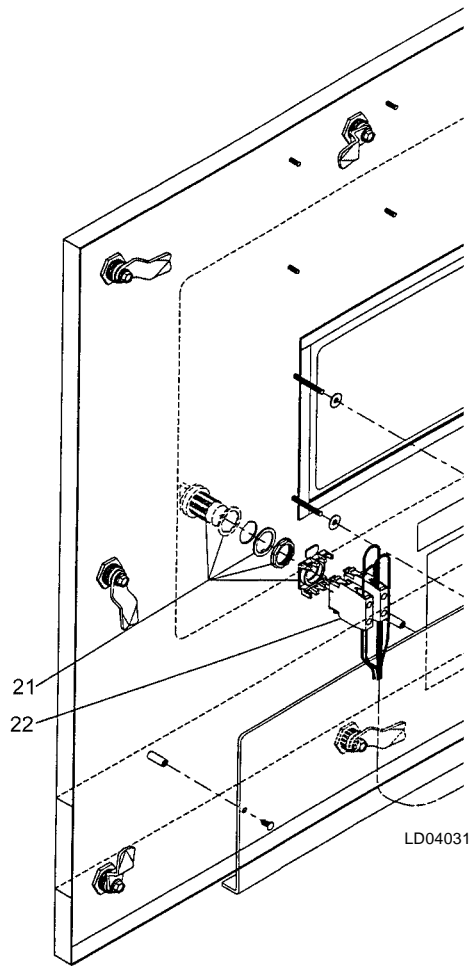


FIG. 4 – INSIDE OF DOOR - NEMA 4/12, CE

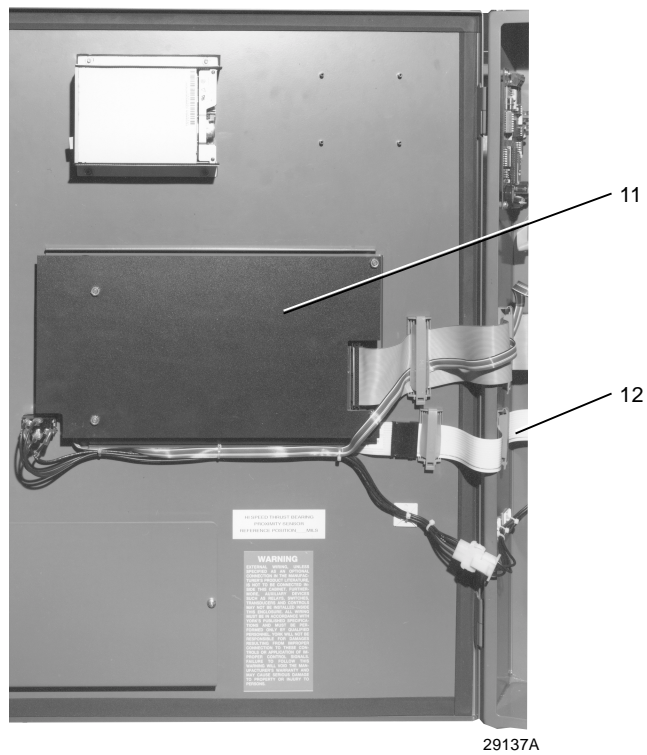
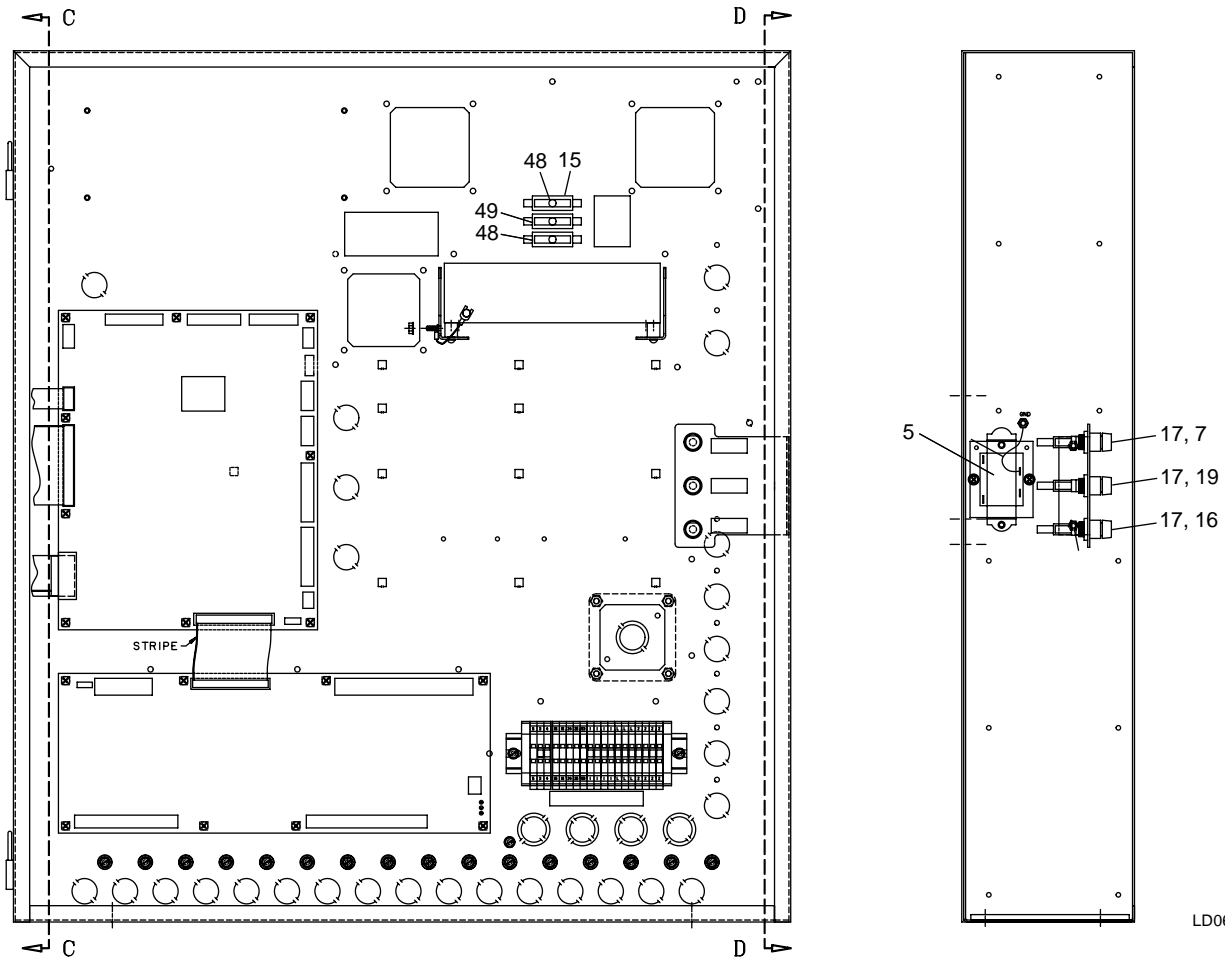
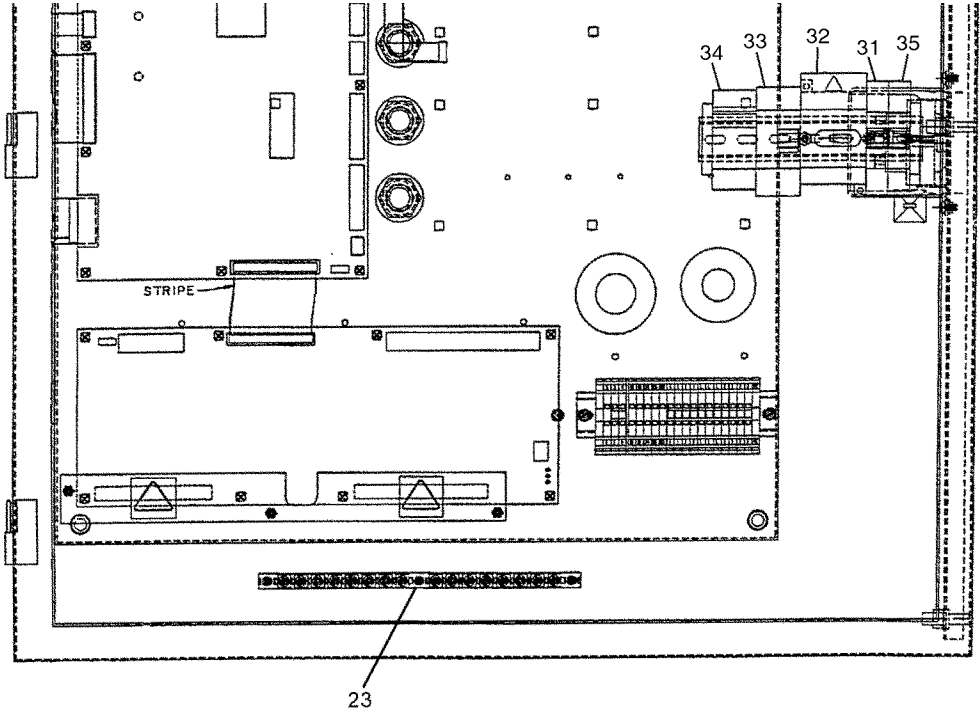


FIG. 5 – INSIDE OF DOOR



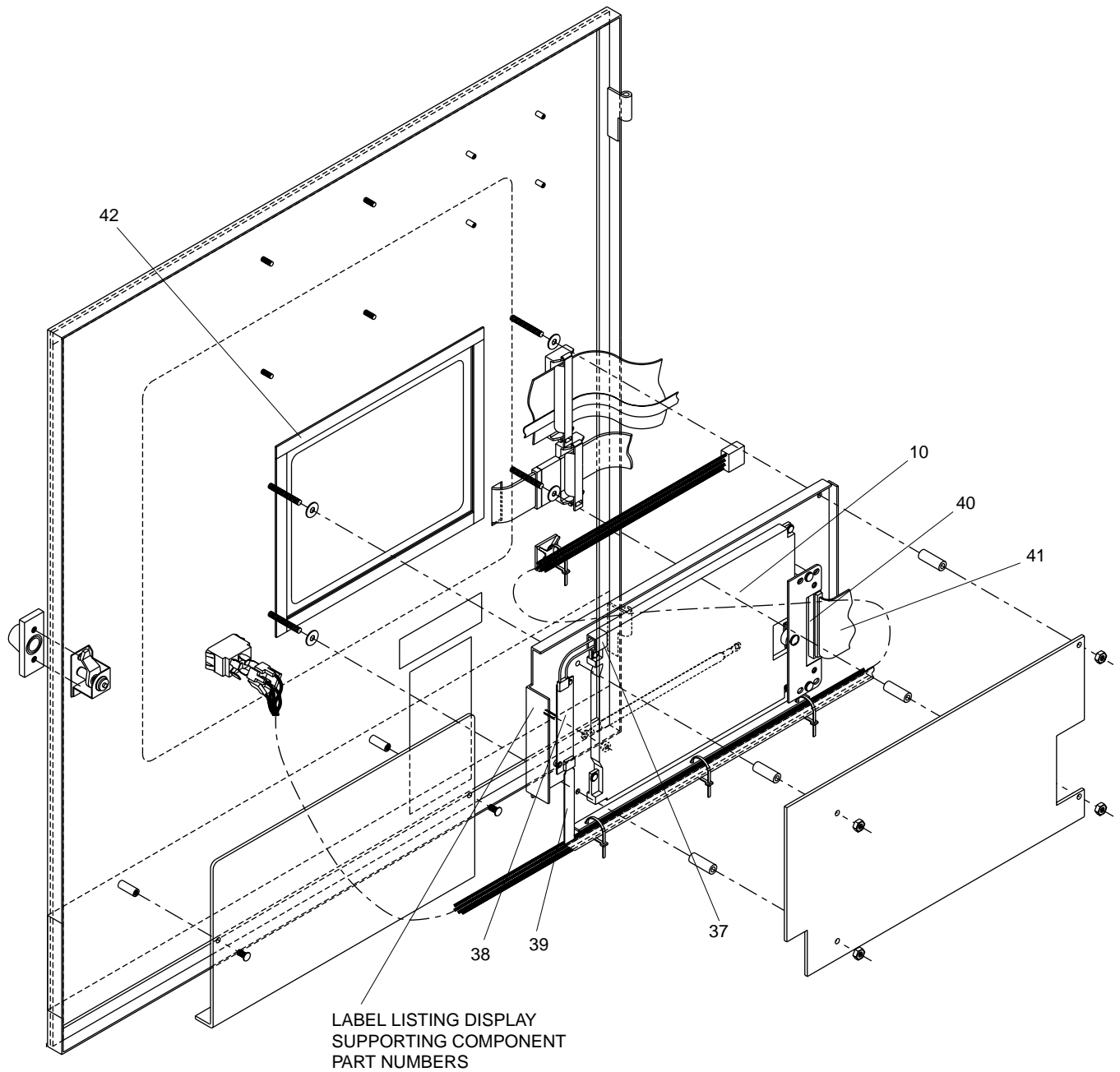
LD06816

FIG. 6 – LOCATION OF TRANSFORMER & FUSES



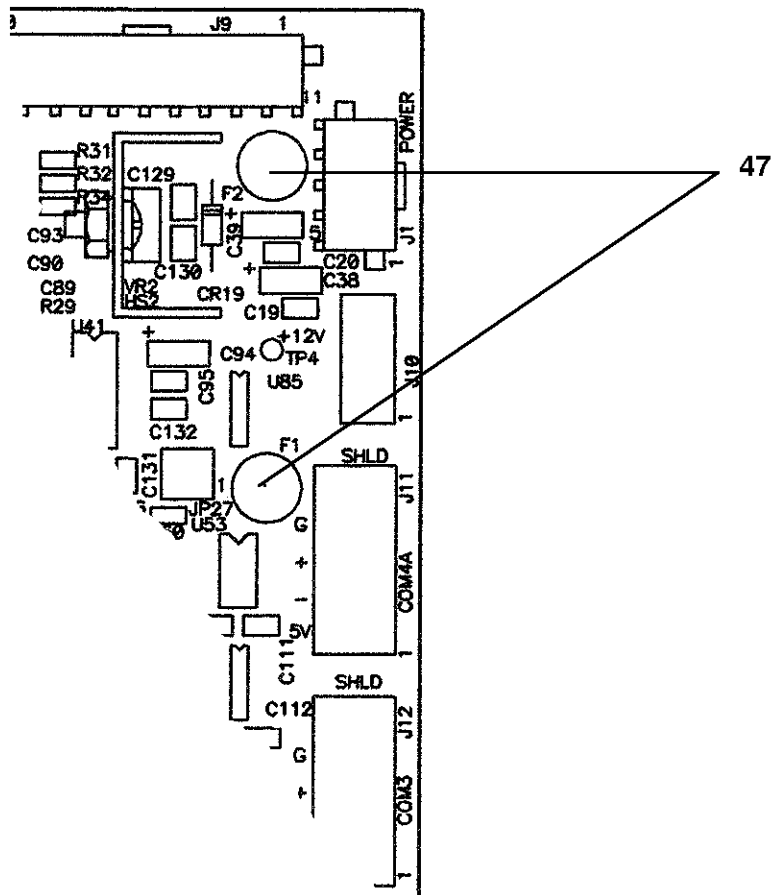
LD04826

FIG. 7 – INSIDE OF CONTROL CENTER - NEMA 4/12, CE



LD04827

FIG. 8 – DISPLAY COMPONENTS (See Notes 1 & 4, Page 3)



LD06383

FIG. 9 – REVISIONS “E” AND LATER MICROBOARD (REF. ITEM 3)

