



**MAXE™  
ROTARY SCREW LIQUID CHILLERS**

**RENEWAL PARTS**

Supersedes: 160.81-RP1 (0901)

Form 160.81-RP1 (104)

**TA TA T0 THRU YR VD VD T1  
WA WA T2 THRU YR XD XD T3**

**200 THRU 430 TONS (60 HZ.)  
700 THRU 1500 KW (60 HZ.)  
170 THRU 365 TONS (50 HZ.)  
600 THRU 1280 KW (50 HZ.)**

**MODEL YR (STYLE A)**



**R-134A REFRIGERANT**



Rated in Accordance  
with the latest edition of ARI  
STANDARD 550/590

## TABLE OF CONTENTS

**NOMENCLATURE .....2**

**UNIT COMPONENTS .....3**

**T0, T1, T2, & T3 REPLACEMENT SCREW COMPRESSORS W/MOTOR .....5**

**UNIT PIPING COMPONENTS .....6**

**VARIABLE ORIFICE / HOT GAS BY PASS .....9**

**T0 THROUGH T3 COMPRESSOR COMPONENTS SINGLE FILTER .....12**

**T0 THROUGH T3 COMPRESSOR COMPONENTS DUAL FILTER.....15**

    O-RING KIT ..... 16

**KIT CURRENT TRANSFORMER SELECTION USE WITH FIELD INSTALLED**

**ELECTRICAL-MECHANICAL STARTERS ONLY.....17**

    CURRENT TRANSFORMER KIT ..... 17

**MULTIPLE UNIT SEQUENCE KIT CONTROLS .....18**

    2 UNIT ..... 18

    3 UNIT ..... 18

    4 UNIT ..... 18

**GASKETS, EVAPORATOR WATER BOXES .....19**

**GASKETS, CONDENSER WATER BOXES .....20**

**EVAPORATOR TUBES.....21**

**CONDENSER TUBES .....21**

**NEOPRENE VIBRATION ISOLATORS .....22**

**SPRING ISOLATORS .....22**

**MISCELLANEOUS AND ACCESSORIES.....23**

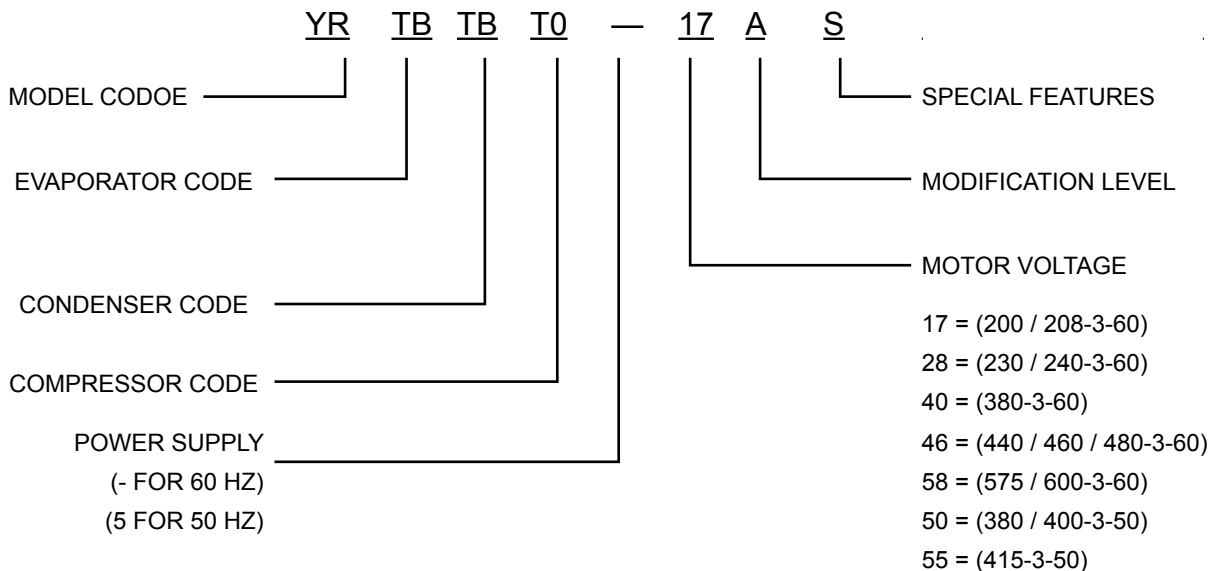
**FLOW SWITCH CONTROL .....23**

**R-134A REFRIGERANT, FACTORY CHARGE .....23**

**COMPONENT REBUILD KITS .....23**

**DIFFERENTIAL PRESSURE CONTROL .....23**

## NOMENCLATURE



## UNIT COMPONENTS

ITEM NUMBER	DESCRIPTION	PART NUMBER	QTY	FIG REF	APPLICATION
5	Gasket Ansi 6-150#	028-15075-112	3	1, 2	
5	Gasket 10-5/8 OD x 8-3/4 ID	028-15059-000	3	1, 2	T2/T3
5	Gasket Ansi 6-150#	028-15075-112	2	1, 2	T2 - 50 Hz
7	Gasket Ansi 8-150#	028-15075-113	2	3	
7	Gasket	028-15129-101	2	3	T2 - 50 Hz & T2/T3
8	Stud, Metric, Continuous	021-17507-000	16	1, 2, 3	
8	Stud, Metric, Continuous	021-17507-000	8	1, 2, 3	T2 - 50 Hz
9	Washer Metric, Lock Hel Spring	021-30690-000	17	1	
10	Nut Metric, Hex Thick; M20	021-17509-000	33	1, 3	
10	Nut Metric, Hex Thick; M20	021-17509-000	16	1, 3	T2/T3
10	Nut Metric, Hex Thick; M20	021-17509-000	25	1, 3	T2 - 50 Hz
11	Screw Metric Cap Hex Hd	021-30171-000	8	1	
12	Washer Plain, 13/16 ID x 1-1/2	021-05157-000	8	3	
12	Washer Plain, 15/16 ID x 1-3/4	021-17885-000	12	3	T2 - 50 Hz
13	Seal, O-ring 6"	028-14482-000	1	1	
13	Seal, O-ring 7-1/2 ID	028-15061-000	1	1	
14	Screw, Metric Cap Hex Hd	021-17669-000	8	1	T2/T3
16	Valve, Relief 1-5/8	022-10079-000	1	2	
16	Valve, Relief 1-5/8	022-10079-000	2	2	T2/T3
17	Seal, O-ring Neoprene	028-12961-017	1	2	
17	Seal, O-ring Neoprene	028-12961-017	2	2	T2/T3
19	Valve, Stop Angle Vertical	022-09708-000	1	2	
20	Seal, O-ring Neoprene	028-12961-001	1	2	
24	Valve, Butterfly 6" -150#	022-10067-000	1	1	Shell Codes T & V - T2 50 HZ
24	Valve, Butterfly 6"	022 10641 006	1	1	Shell Code W
24	Valve, Butterfly 8"	022-09701-000	1	1	T2/T3
25	Stud, Metric, Continuous	021-31309-000	8	1	
26	Strainer Suction Terminator	026-37550-000	1	3	
26	Strainer Suction Terminator	026-37912-000	1	3	T2/T3
27	Gasket Flare 1/4 Od Tube	028-01259-000	1	2	
28	Kit, Isolator	028-15050-000	1	3	
29	Shim, Motor Mounting .126 Thick	067-85256-000	4	3	
30	Shim, Motor Mounting .056 Thick	067-85257-000	4	3	
31	Shim, Motor Mounting .034 Thick	067-85258-000	4	3	
32	Shim, Motor Mounting .018 Thick	067-85259-000	8	3	
33	Shim, Motor Mounting .006 Thick	067-85260-000	8	3	
43	Stud, Metric, Continuous	021-17511-000	12	3	T2 - 50 Hz & T2/T3
44	Washer Metric, Lock Hel Spring, M22	021-17521-000	12	3	T2 - 50 Hz & T2/T3
47	Gasket Ansi 8 - 150#	028-15075-113	1	1, 2	T2 - 50 Hz
50	Seal, O-ring, 1-5/16	028-12961-017	1	1	
	Separator, Oil (Compressor T0 / T1)	375-41224-000			
	Separator, Oil (Compressor T2 / T3)	375-41269-000			

### UNIT COMPONENTS (CONT'D)

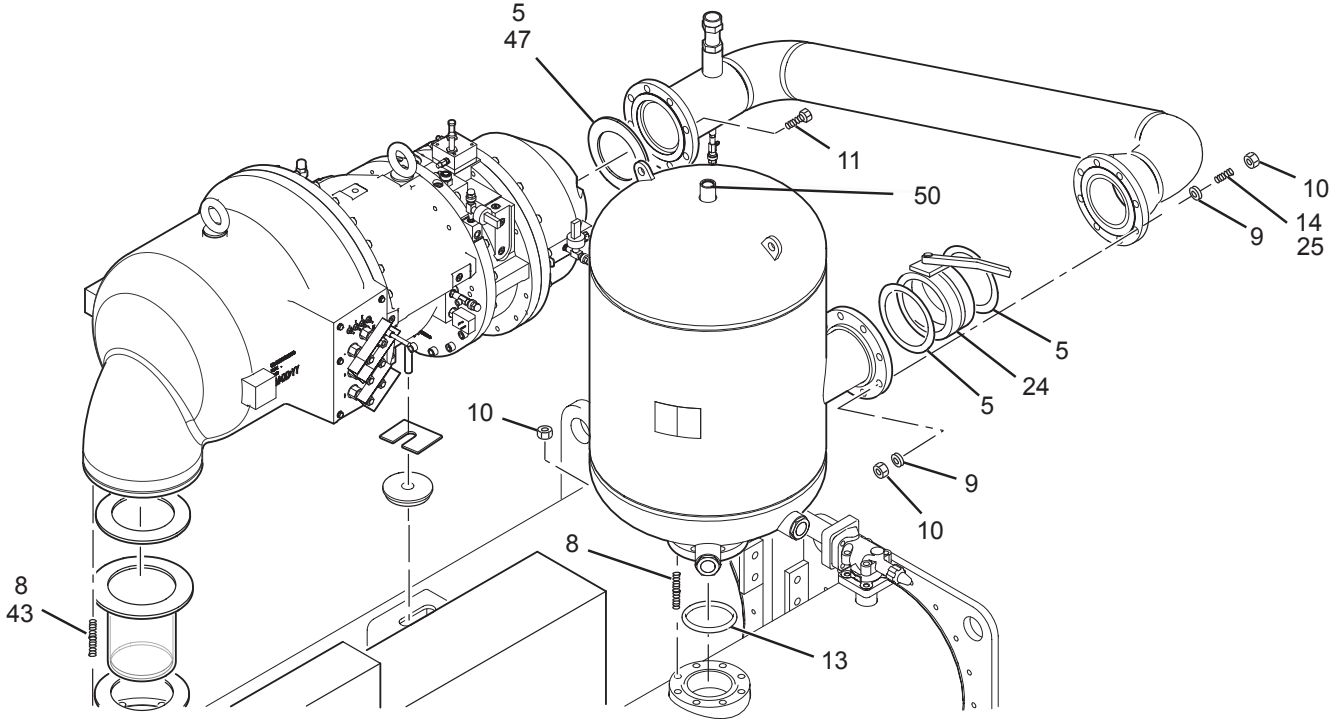


FIG. - 1

LD08941

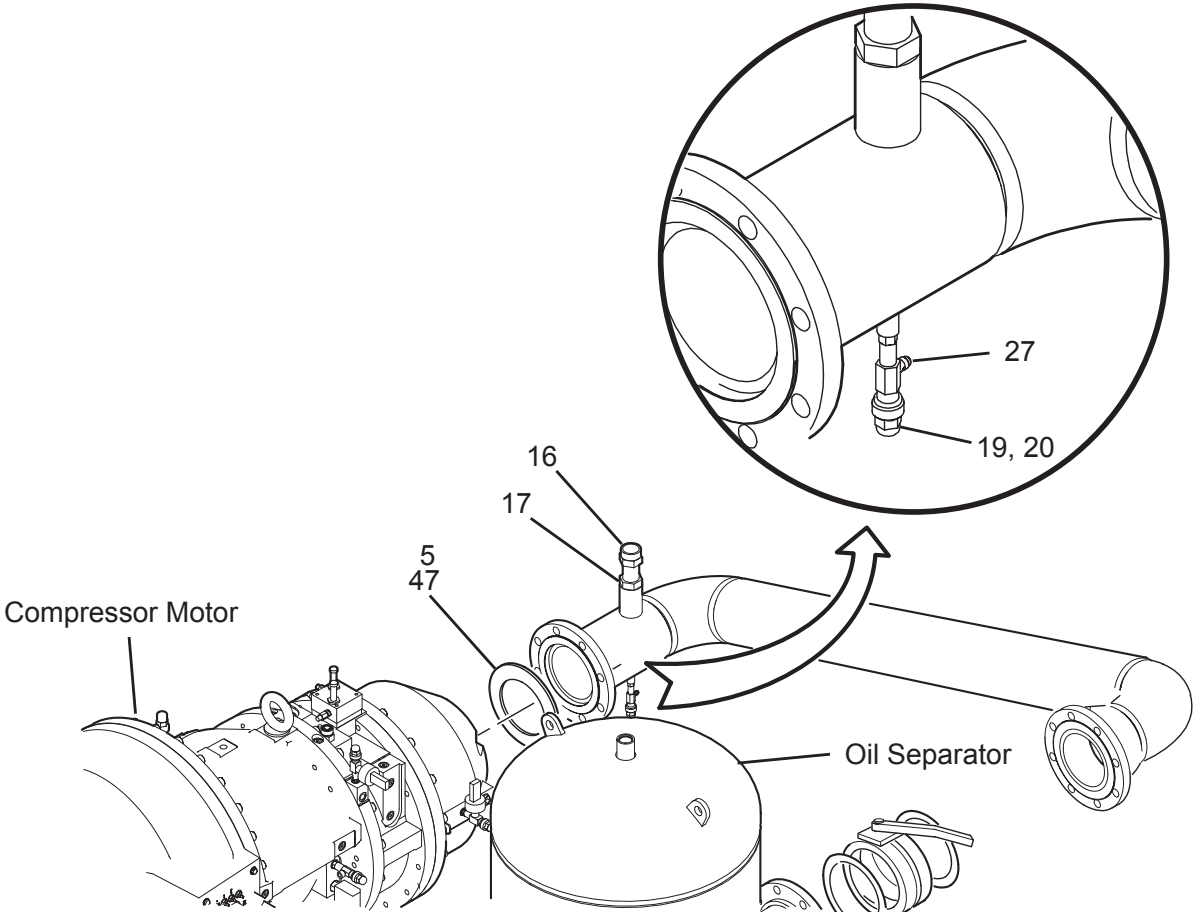


FIG. - 2

LD08942A

### UNIT COMPONENTS (CONT'D)

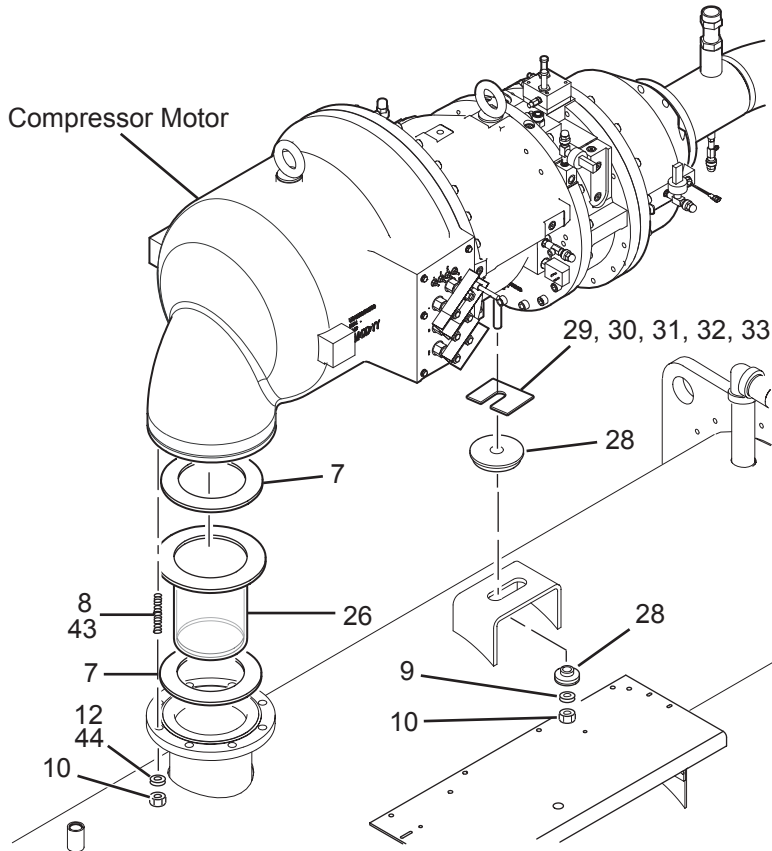


FIG. 3 -

LD08943

### T0, T1, T2, & T3 REPLACEMENT SCREW COMPRESSORS W/MOTOR

COMP. CODE	MOTOR VOLTAGE	HERTZ	PART NUMBER
T0	200/208	60	015-02880-620
	230/240		015-02880-623
	380		015-02880-638
	440/460/480	50	015-02880-646
	575/600		015-02880-657
	380/400		015-02880-538
	415		015-02880-541
T1	200/208	60	015-02881-620
	230/240		015-02881-623
	380		015-02881-638
	440/460/480	50	015-02881-646
	575/600		015-02881-657
	380/400		015-02881-538
	415		015-02881-541
T2	200/208	60	015-02882-620
	230/240		015-02882-623
	380		015-02882-638
	440/460/480	50	015-02882-646
	575/600		015-02882-657
	380/400		015-02882-538
	415		015-02882-541
T3	200/208	60	015-02883-620
	230/240		015-02883-623
	380		015-02883-638
	440/460/480	50	015-02883-646
	575/600		015-02883-657
	380/400		015-02883-538
	415		015-02883-541

## UNIT PIPING COMPONENTS

ITEM NUMBER	DESCRIPTION	PART NUMBER	QTY	FIG REF	APPLICATION
1	Valve, Stop 3 Way 1-5/16	022-10073-000	1	5, 6	T0 / T1 w/ Iso Valve
1	Valve, Stop 3 Way 1-5/8	022-10074-000	1	5, 6	T2 / T3 w/ Iso Valve
1	Valve, Stop 3 Way 1-5/16	022-10073-000	2	5, 6	T0 / T1 w/o Iso Valve
1	Valve, Stop 3 Way 1-5/8	022-10074-000	2	5, 6	T2 / T3 w/o Iso Valve
3	Valve, Relief 1-5/16	022-10078-000	3	5, 6	T0 / T1 w/ Iso Valve
3	Valve, Relief 1-5/8	022-10079-000	3	5, 6	T2 / T3 w/ Iso Valve
3	Valve, Relief 1-5/16	022-10078-000	4	5, 6	T0 / T1 w/o Iso Valve
3	Valve, Relief 1-5/8	022-10079-000	4	5, 6	T2 / T3 w/o Iso Valve
4	Transducer Pressure, 0 to 300 psi	025-28678-006	1	6	
5	Transducer Pressure, 6 to 74 psi	025-28678-112	1	6	
6	Filter Drier 3/8	026-37563-000	3	4, 6	
10	Valve, Solenoid 3/8	025-35150-003	1	6	
11	Valve, Stop Angle Vertical	022-10054-000	1	4	
21	Seal, O-ring, 1/2	028-12961-002	2	6	
22	Seal, O-ring, 9/16	028-12961-003	2	4	
23	Seal, O-ring, 1-5/16	028-12961-008	4	5	T0 / T1 w/ Iso Valve
23	Seal, O-ring, 1-5/8	028-12961-017	4	5	T2 / T3 w/ Iso Valve
23	Seal, O-ring, 1-5/16	028-12961-008	6	5	T0 / T1 w/o Iso Valve
23	Seal, O-ring, 1-5/8	028-12961-017	6	5	T2 / T3 w/o Iso Valve
24	Seal, O-ring, 1-1/16	028-12961-006	2	4	
25	Seal, O-ring, 11/16	028-12961-012	11	4,6	
27	Seal, O-ring, 1-3/16	028-12961-015	4	4	
31	Block, Oil Eductor	026-37587-000	1	4	
32	Valve, Stop Angle Vertical	022-09578-000	1	4	
33	Gasket Flare 3/8 OD	028-01258-000	1	4	
39	Valve, Stop Angle Vertical	022-10047-000	1	4	
40	Heater, Immersion	025-33703-000	1	4	
41	Seal, O-ring 1-5/8	028-12961-017	1	4	

### UNIT PIPING COMPONENTS (CONT'D)

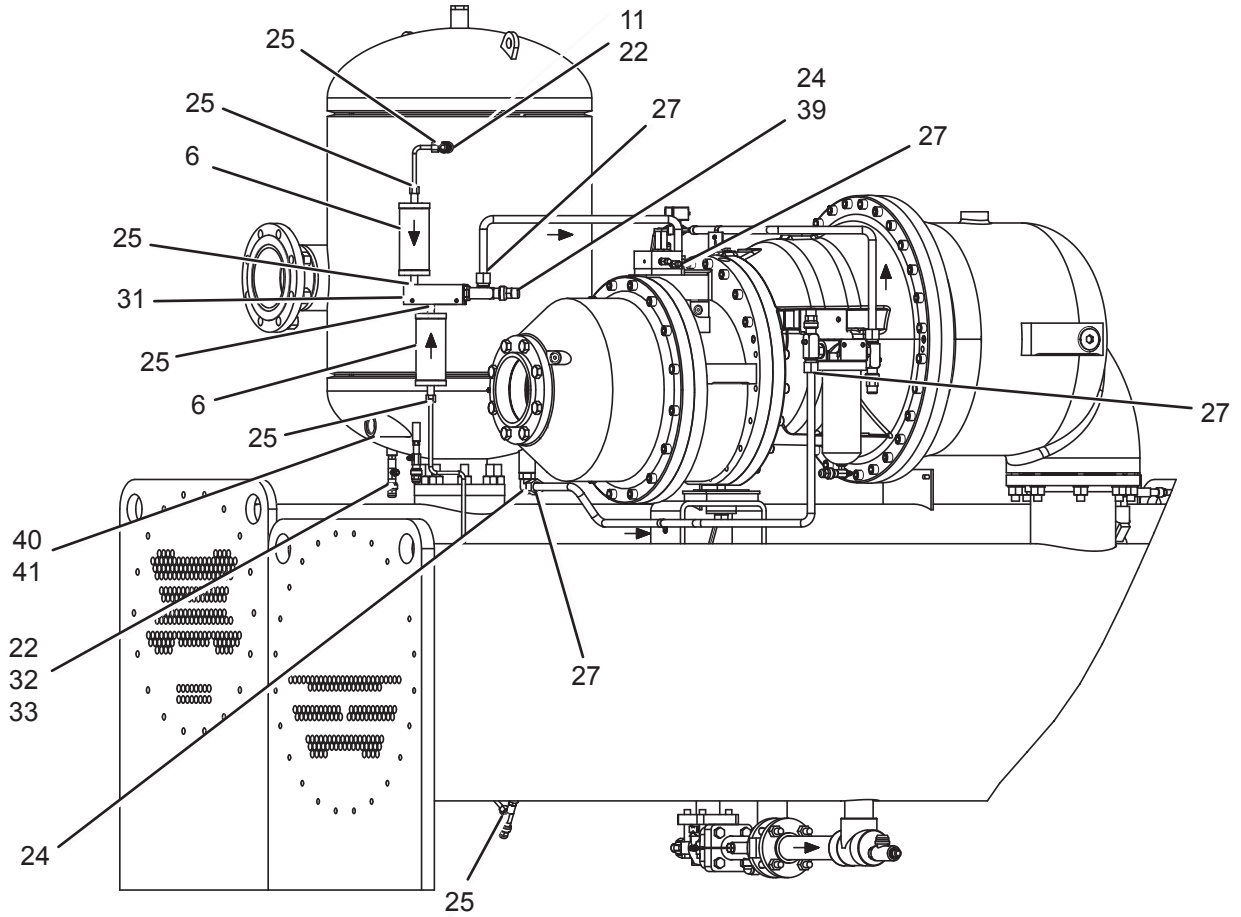


FIG. 4 -

LD09393

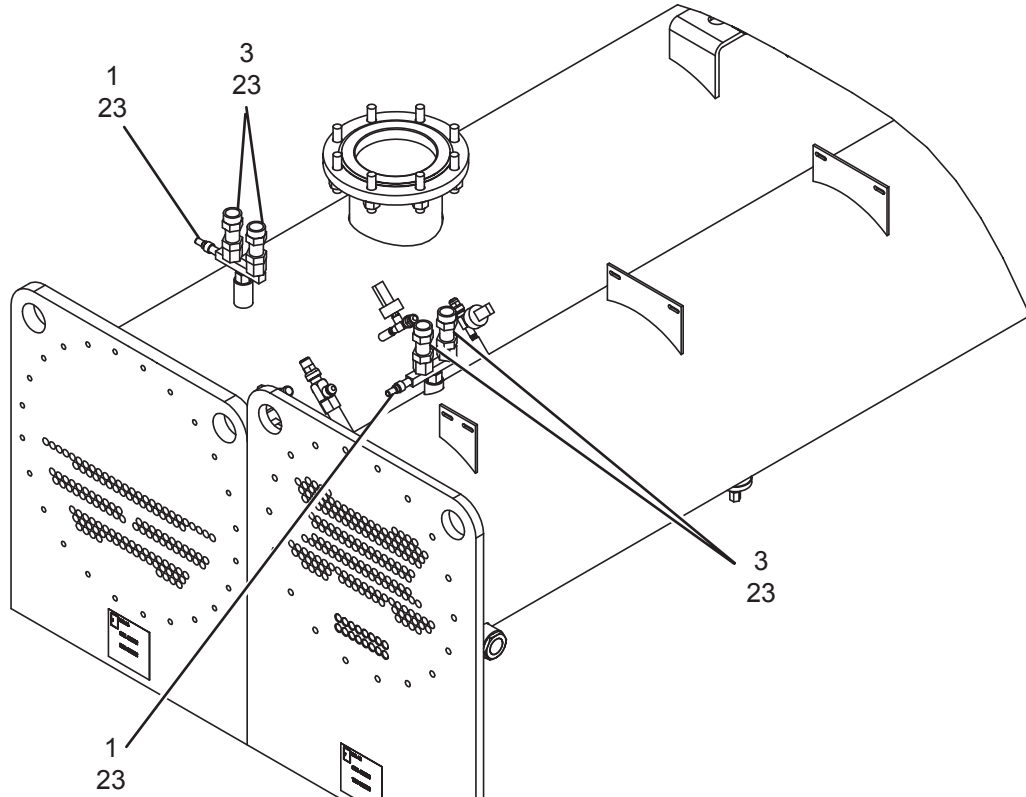


FIG. 5 - OPTIONAL DUAL RELIEF VALVES

LD09395

### UNIT PIPING COMPONENTS (CONT'D)

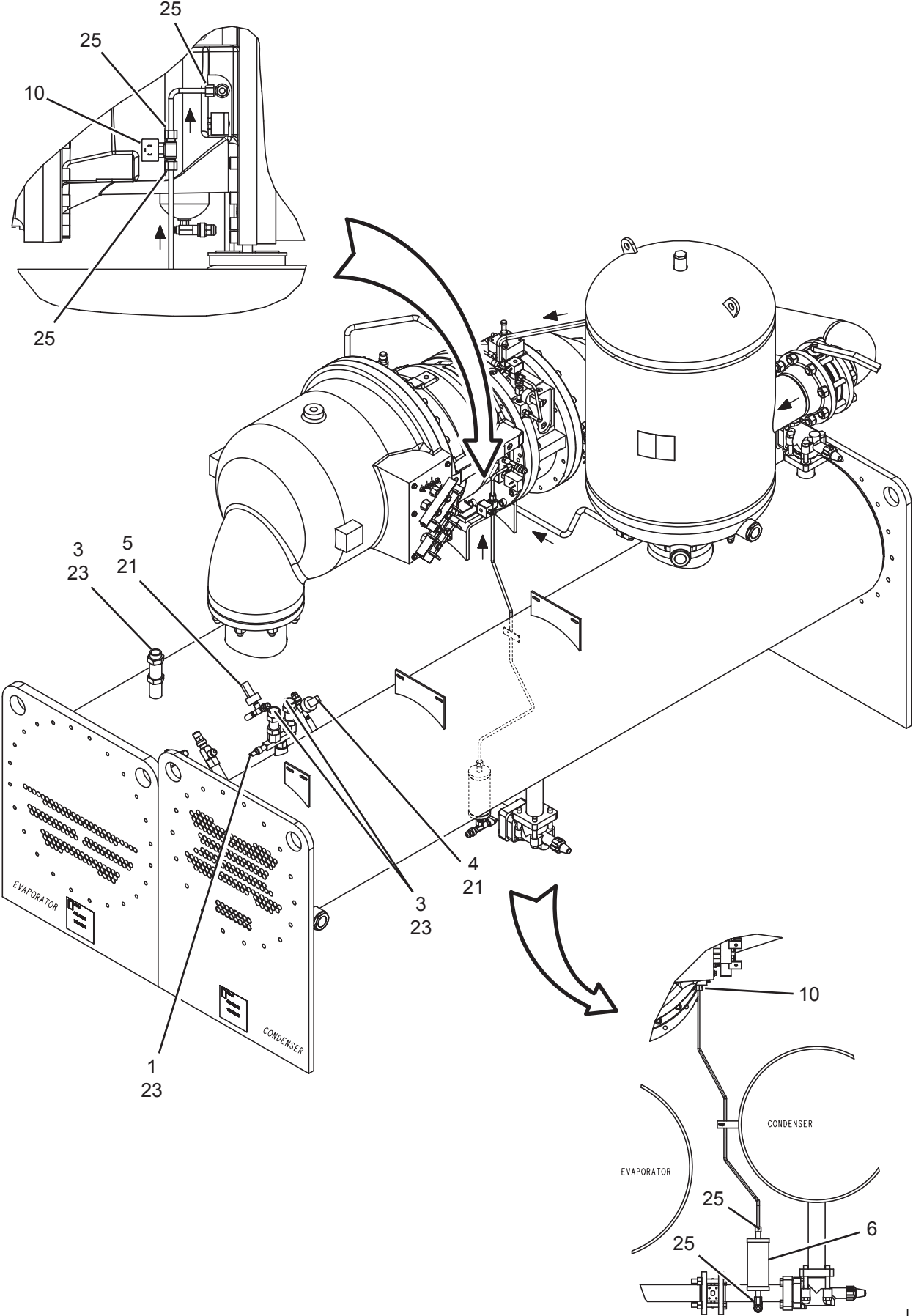
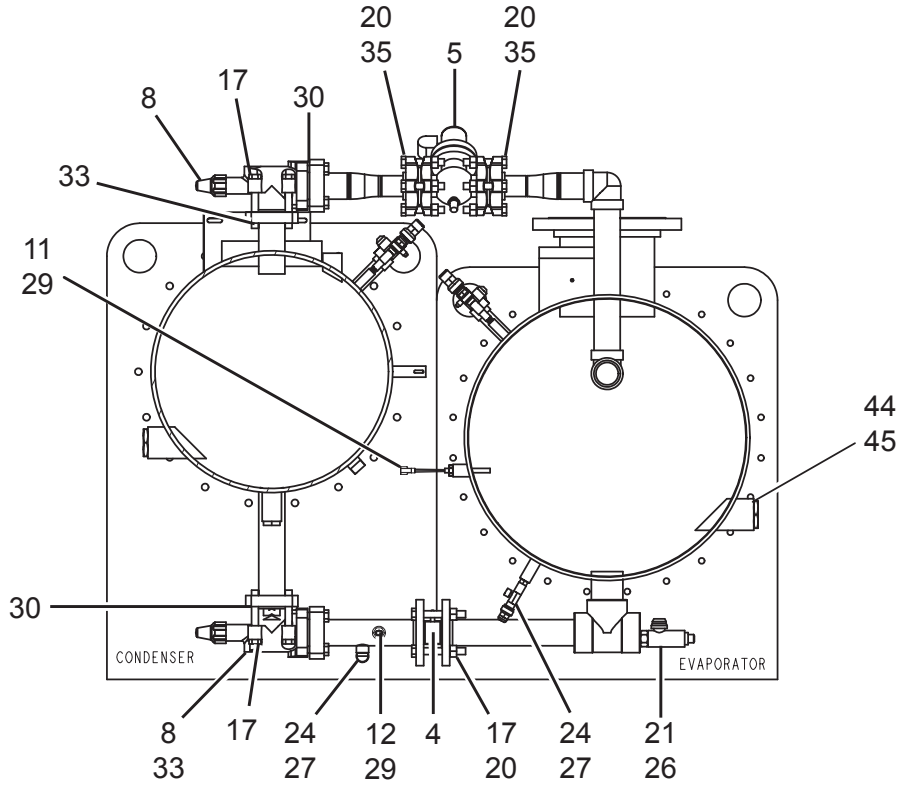


FIG. 6 -

## VARIABLE ORIFICE / HOT GAS BY PASS

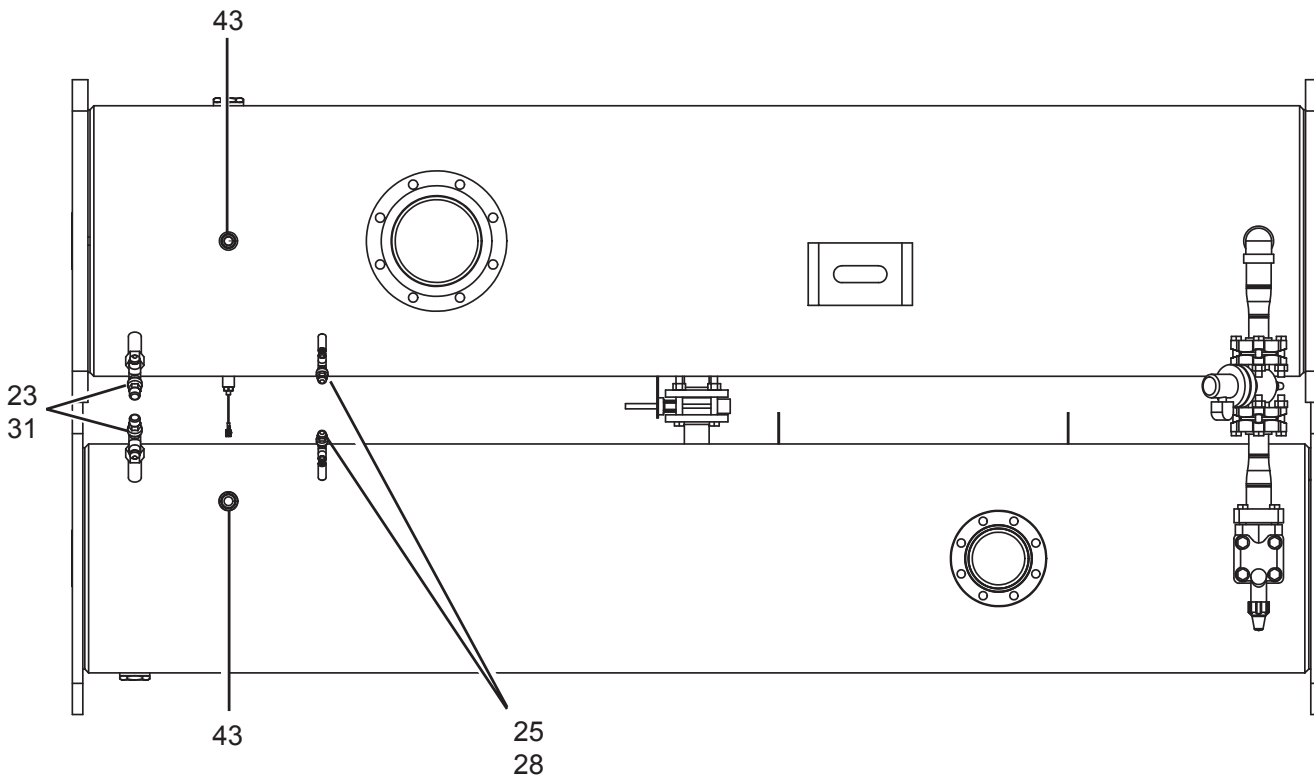
ITEM NUMBER	DESCRIPTION	PART NUMBER	QTY	FIG REF
4	Valve, Butterfly, Size 2	022-10642-002	1	7
5	Valve, Pilot Operated	022-10095-000	1	7
8	Valve, Stop	022-10048-000	2	7
11	Sensor, Temperature 3000 Ohms at 25°C	025-34159-000	1	7
12	Sensor, Temperature 3000 Ohms at 25°C	025-37831-000	1	7
17	Screw, Cap Hex 5/8 - 11unc	021-12282-000	12	7
20	Nut, Hex 5/8 - 11 unc	021-09287-000	12	7
21	Valve, Ball 1-1/16 - 12	022-09757-000	1	7
23	Valve, Stop Angle Vertical	022-09573-000	2	8
24	Valve, Stop Angle Vertical	022-10054-000	2	8
25	Valve, Stop Angle Vertical	022-09577-000	2	8
26	Seal, O-ring, 1-1/16	028-12961-006	1	7
27	Seal, O-ring, 9/16	028-12961-003	2	7
28	Seal, O-ring, 7/16	028-12961-001	2	8
29	Seal, O-ring, 3/4	028-12961-004	2	7
30	Gasket, 2" Valve	064-47078-000	2	7
31	Gasket, Seal 1 OD x 7/8"	028-04836-000	2	8
33	Gasket, Flange	028-04836-000	2	7
35	Screw, Cap Hex 5/8 - 11unc	021-01647-000	8	7
43	Seal, O-ring, 1-5/16	028-12961-008	2	8
44	Plug, Sight 2-1/4" -12 Un-2A	023-17197-000	2	8
45	Seal, O-ring, 2-1/4	028-12961-009	2	8
46	Sensor Temp 3000 Ohms	025 29964 000	4	9
47	Heater, Immersion 1-5/8	025 33703 000	1	9
48	Seal, O-ring 1-5/8	028 12961 017	1	9
49	Well, Thermo	026 32328 000	4	9
50	Sensor, Level R-134a	025 35144 000	1	9
51	Gasket, Seal 1 OD x 7/8	028 04836 000	1	9
52	Actuator Motor	025 33731 000	1	9

**VARIABLE ORIFICE / HOT GAS BY PASS (CONT'D)**



**FIG. 7 -**

LD09397



**FIG. 8 -**

LD09398

### VARIABLE ORIFICE / HOT GAS BY PASS (CONT'D)

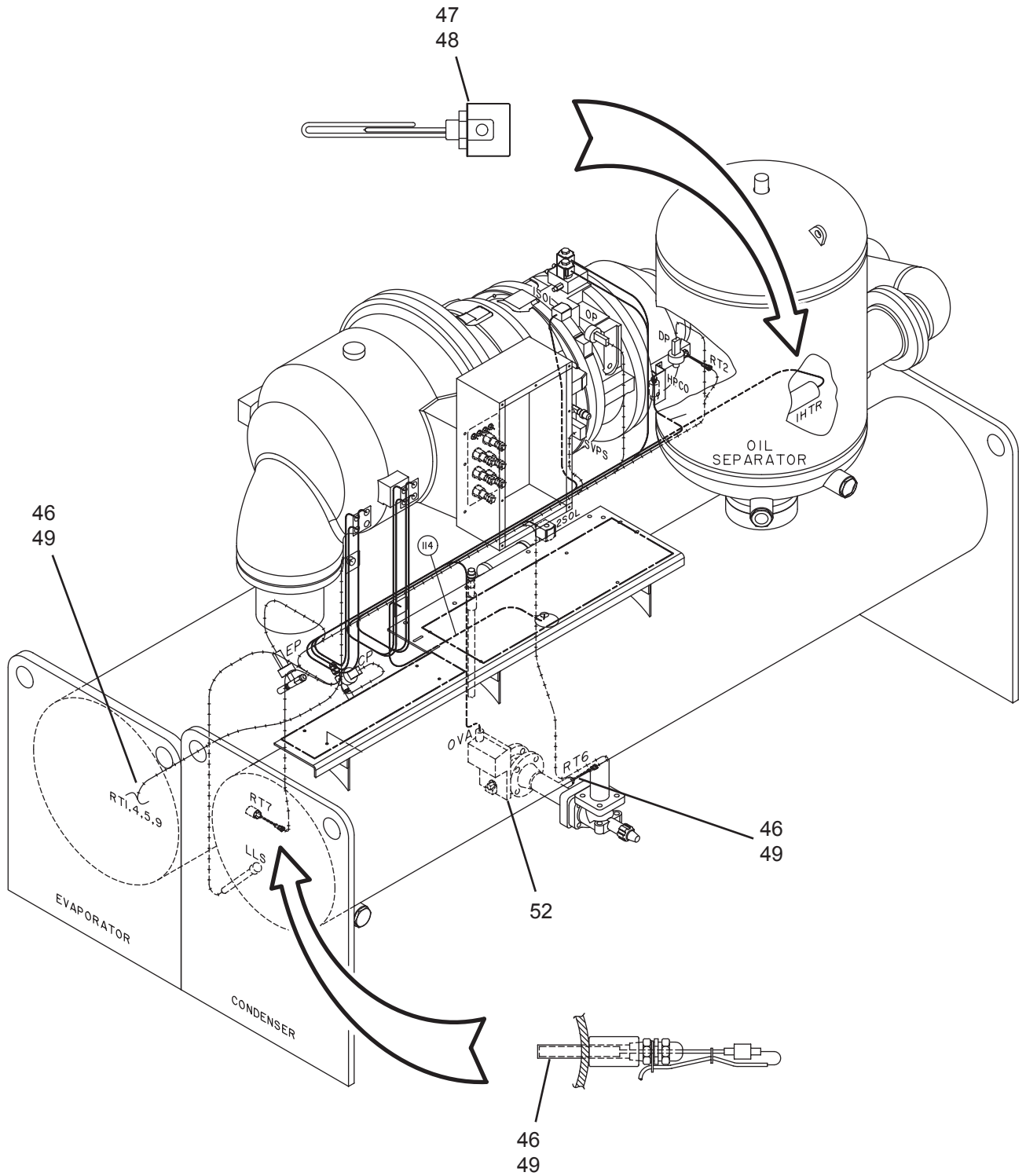


FIG. 9 -

## T0 THROUGH T3 COMPRESSOR COMPONENTS SINGLE FILTER

ITEM NUMBER	DESCRIPTION	PART NUMBER	QTY	FIG REF
4	Stud, Metric Continuous	021-17510-000	1	13
5	Bracket Oil Filter	075-41294-000	1	12
6	Housing, Filter Oil	026-37589-000	1	12
	Kit, Filter and O-ring	364-50438-001	2	
9	Gasket, Flare 1/4 OD Tube	028-01259-000	1	12
10	Valve Stop Ang Vertical	022-10092-000	1	12
11	Valve Stop Ang Vertical	022-10046-000	2	12
12	Seal, O-Ring Neoprene	028-12961-006	2	12
13	Nut, 3/4 OD Tube	023-18286-000	4	11, 12
14	Sleeve 3/4 OD Tube	023-18284-000	4	11, 12
15	Seal, O-Ring Neoprene	028-12961-015	4	11, 12
19	Valve Solenoid	025-35150-104	1	11, 12
23	Fitting #12 Face Seal x #6	023-21877-000	1	11
24	Seal, O-Ring Neoprene	028-12961-003	1	11
25	Valve Stop Ang Vertical	022-09577-000	2	10, 13
26	Seal, O-Ring Neoprene	028-12961-001	7	10, 12, 13
27	Transducer Pressure	025-28678-006	2	10, 13
28	Seal, O-Ring Neoprene	028-12961-002	2	10, 13
30	Sensor, Temperature 50,000 Ohms	025-35956-000	1	10, 13
31	Slide Valve Assembly	026-37588-000	1	10
32	Valve Stop Ang Vertical	022-10054-000	1	13
33	Seal, O-Ring Neoprene	028-12961-003	1	13
35	Connector, 3/4 OD Tube Male	023-20299-000	1	10
36	Seal, O-Ring Neoprene	028-12961-004	1	10, 13
40	Bus Bar T0/T3	071-02776-321	3	13
45	Bracket, Oil Line Compr	075-44522-000	1	10
52	Valve, Access 7/16-20UNF	022-09783-000	1	10
59	Insulator	071-02776-348	2	13
60	Elbow 90° 3/16 OD Tube 3/8	023-21776-000	1	13
61	Seal, O-Ring Neoprene	028-12961-021	2	13
62	High Pressure Cutout	025-35932-000	1	13
63	Support High Pressure Switch	075-47389-000	1	10, 13
64	Thermistor, Terminal	023-20261-000	4	13
65	Terminal, Motor	025-37892-000	6	13
66	Transmitter, Linear, Short Stroke	025-37834-000	1	13
67	Rod, Indicator	026-37913-000	1	13
68	Spring, Indicator Rod Assembly	029-23737-000	1	13
69	Valve, Solenoid	022-10093-000	3	10
70	Valve, Isolation, HP & LP, Short	022-10619-000	2	10
71	Valve, Isolation, Common, Long	022-10623-000	1	10
72	Block, Capacity Control	029-23736-000	1	10
73	Gasket Kit	026-37914-000	1	10

### COMPRESSOR COMPONENTS SINGLE FILTER (CONT'D)

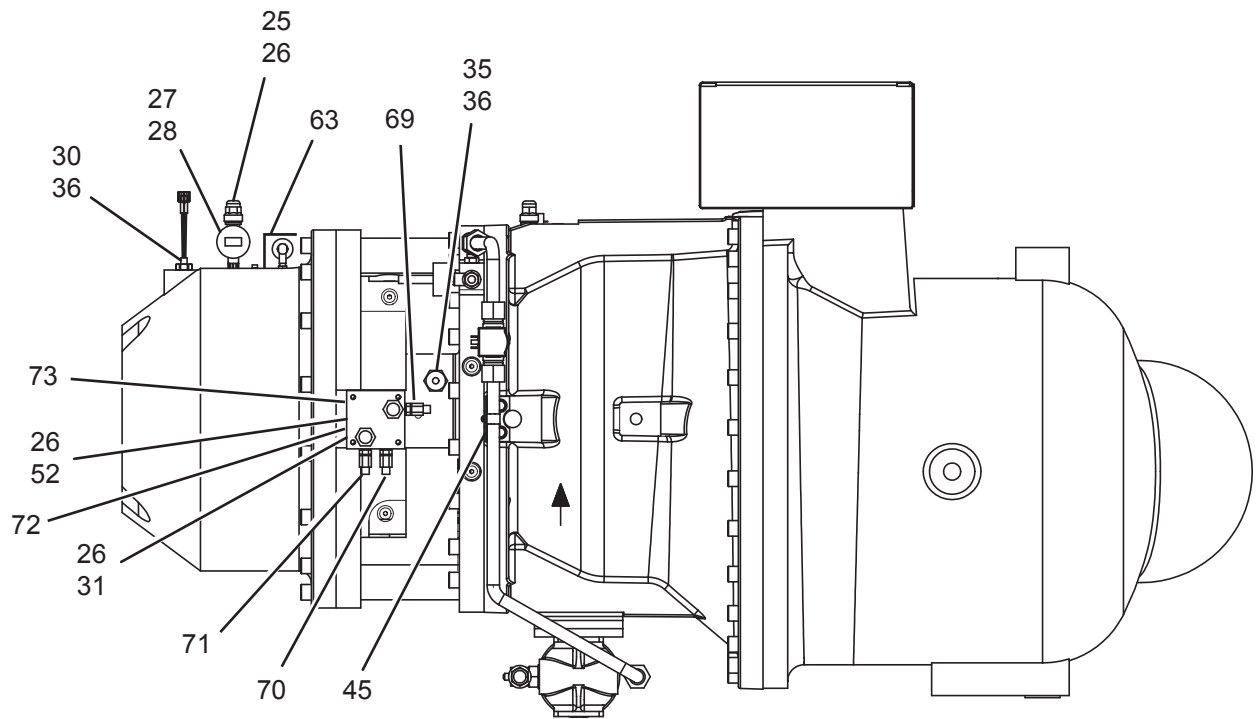


FIG. 10 -

LD09399

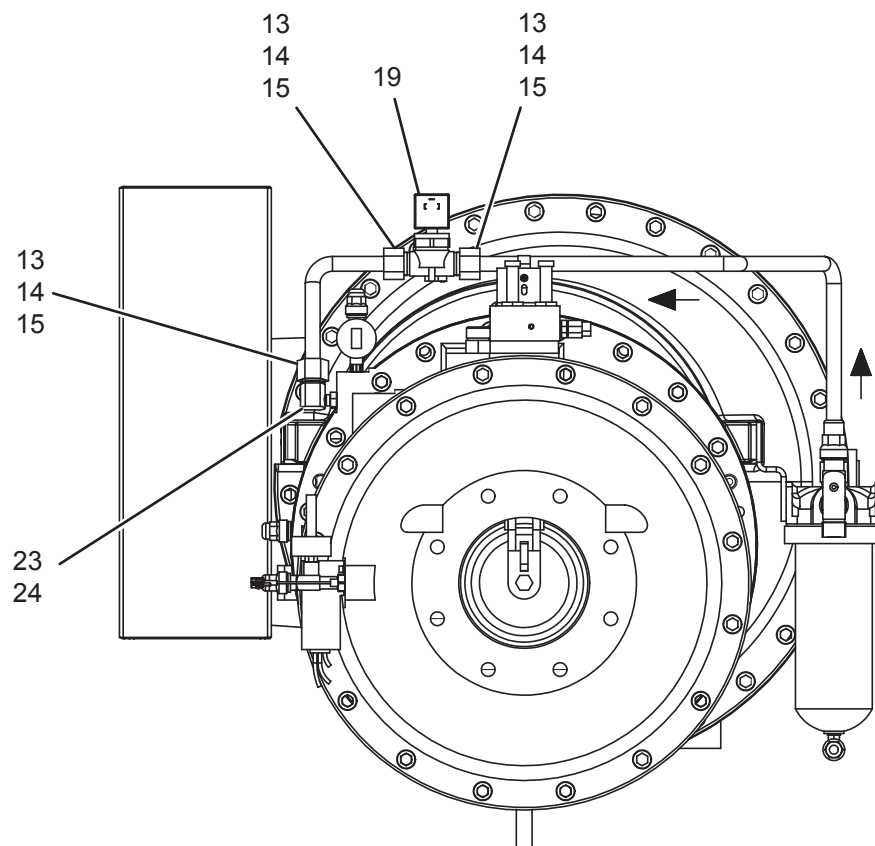


FIG. 11 -

LD09400

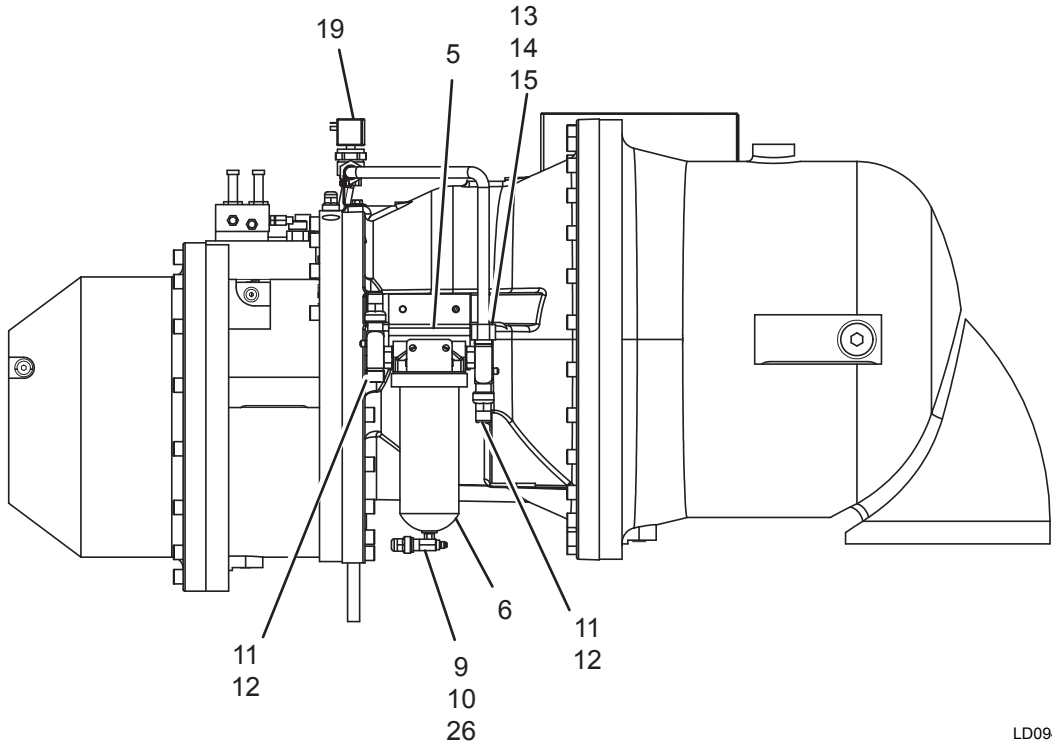


FIG. 12 -

LD09401

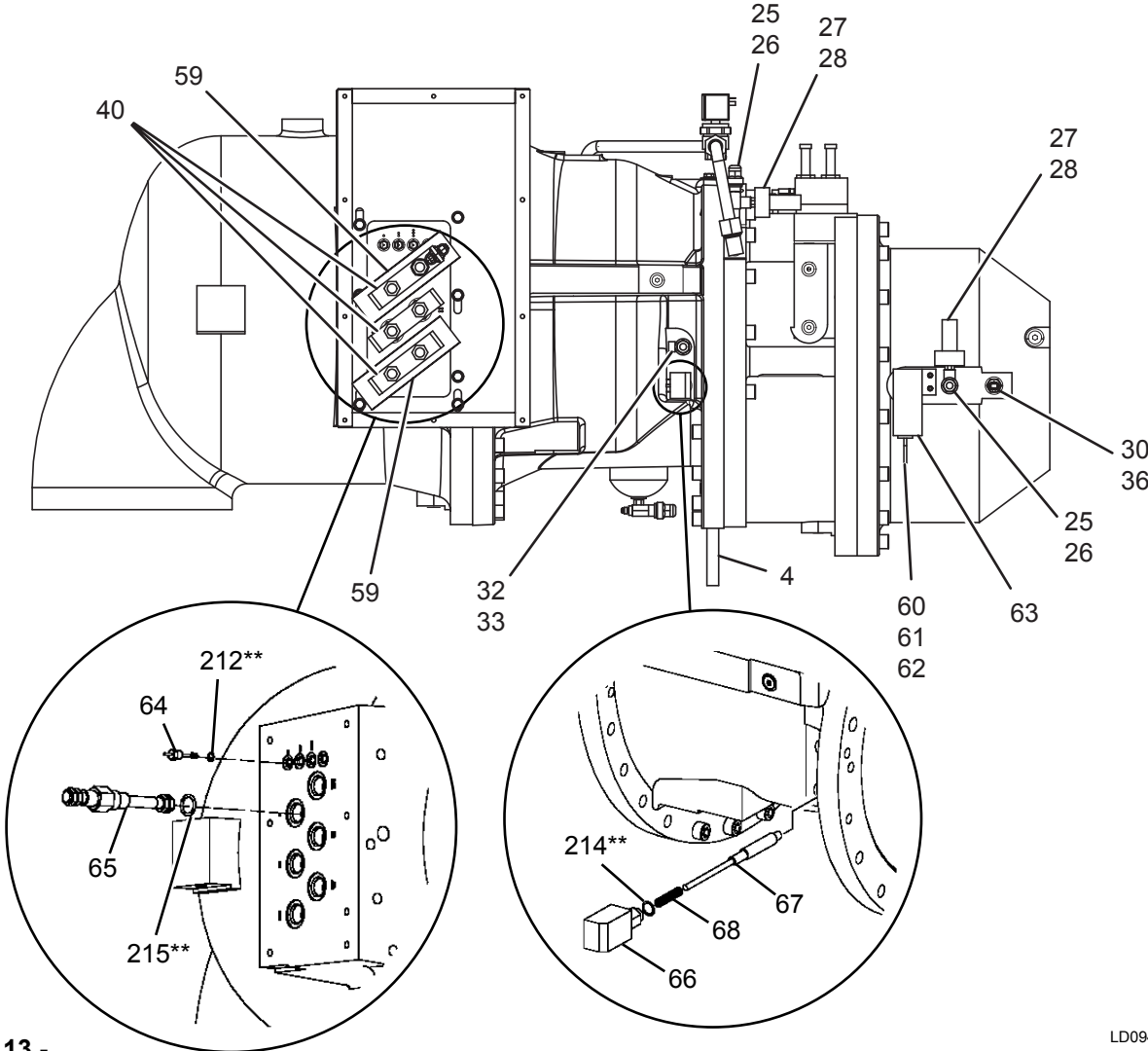


FIG. 13 -

LD09402

## T0 THROUGH T3 COMPRESSOR COMPONENTS DUAL FILTER

ITEM NUMBER	DESCRIPTION	PART NUMBER	QTY	FIG REF
4	Stud, Metric Continuous	021-17510-000	1	13
5	Bracket Oil Filter	075-41298-000	1	14
6	Housing, Filter Oil	026-37589-000	2	14
	Kit, Filter and O-ring	364-50438-001	2	
9	Gasket, Flare 1/4 OD Tube	028-01259-000	2	14
10	Valve Stop Ang Vertical	022-10092-000	2	14
11	Valve Stop Ang Vertical	022-10046-000	2	14
12	Seal, O-ring Neoprene	028-12961-006	2	14
13	Nut, 3/4 OD Tube	023-18286-000	8	11, 14
14	Sleeve 3/4 OD Tube	023-18284-000	8	11, 14
15	Seal, O-ring Neoprene	028-12961-015	8	11, 14
19	Valve Solenoid	025-35150-104	1	11, 14
23	Fitting #12 Face Seal x #6	023-21877-000	1	11
24	Seal, O-ring Neoprene	028-12961-003	1	11
25	Valve Stop Ang Vertical	022-09577-000	2	10, 13
26	Seal, O-ring Neoprene	028-12961-001	9	10, 13, 14
27	Transducer Pressure	025-28678-006	2	10, 13
28	Seal, O-ring Neoprene	028-12961-002	2	10, 13
30	Sensor, Temperature 50,000 Ohms	025-35956-000	1	10, 13
31	Slide Valve Assembly	026-37588-000	1	10
32	Valve Stop Ang Vertical	022-10054-000	1	13
33	Seal, O-ring Neoprene	028-12961-003	1	13
35	Connector, 3/4 OD Tube Male	023-20299-000	1	10
36	Seal, O-ring Neoprene	028-12961-004	1	10, 13
38	Tee Union 3/4"	023-18913-000	1	14
39	Valve, 3-way Ball	022-10094-000	1	14
40	Bus Bar T0/T3	071-02776-321	3	13
45	Bracket, Oil Line Compr	075-44522-000	1	10
52	Valve, Access 7/16-20UNF	022-09783-000	1	10
59	Insulator	071-02776-348	2	13
60	Elbow 90° 3/16 OD Tube 3/8	023-21776-000	1	13
61	Seal, O-Ring Neoprene	028-12961-021	2	13
62	High Pressure Cutout	025-35932-000	1	13
64	Thermistor, Terminal	023-20261-000	4	13
65	Terminal, Motor	025-37892-000	6	13
66	Transmitter, Linear, Short Stroke	025-37834-000	1	13
67	Rod, Indicator	026-37913-000	1	13
68	Spring, Indicator Rod Assembly	029-23737-000	1	13
69	Valve, Solenoid	022-10093-000	3	10
70	Valve, Isolation, HP & LP, Short	022-10619-000	2	10
71	Valve, Isolation, Common, Long	022-10623-000	1	10
72	Block, Capacity Control	029-23736-000	1	10
73	Gasket Kit	026-37914-000	1	10

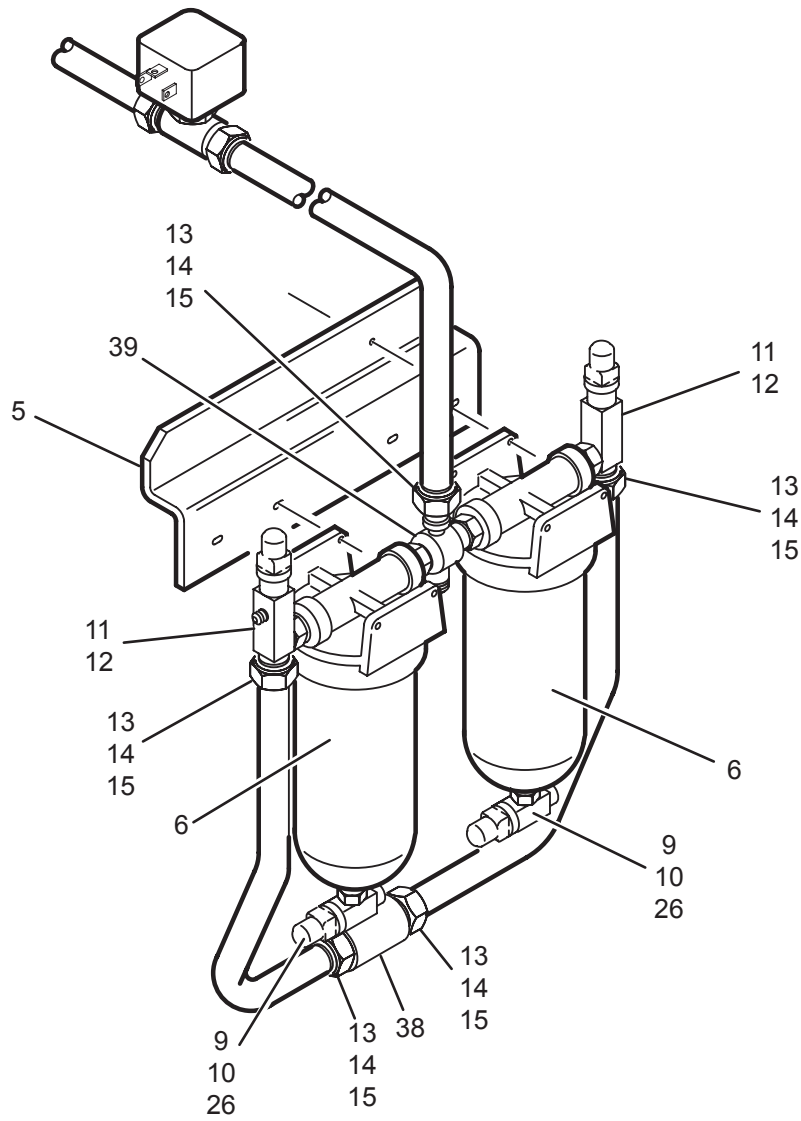


FIG. 14 -

LD09412

**O-RING KIT: 028-15058-000**  
**200 YRS COMPRESSOR**

ITEM NO.	DESCRIPTION	QTY.
201	2 - 012	3
202	2 - 015	1
203	2 - 020	3
204	2 - 042	2
205	2 - 154	2
206	2 - 161	2
207	2 - 238	2
208	2 - 388	1
209	2 - 391	1
210	2 - 385	1
211	2 - 903	1
212	2 - 904	7
213	2 - 906	12
214	2 - 908	6
215	2 - 912	6
216	2 - 932	1

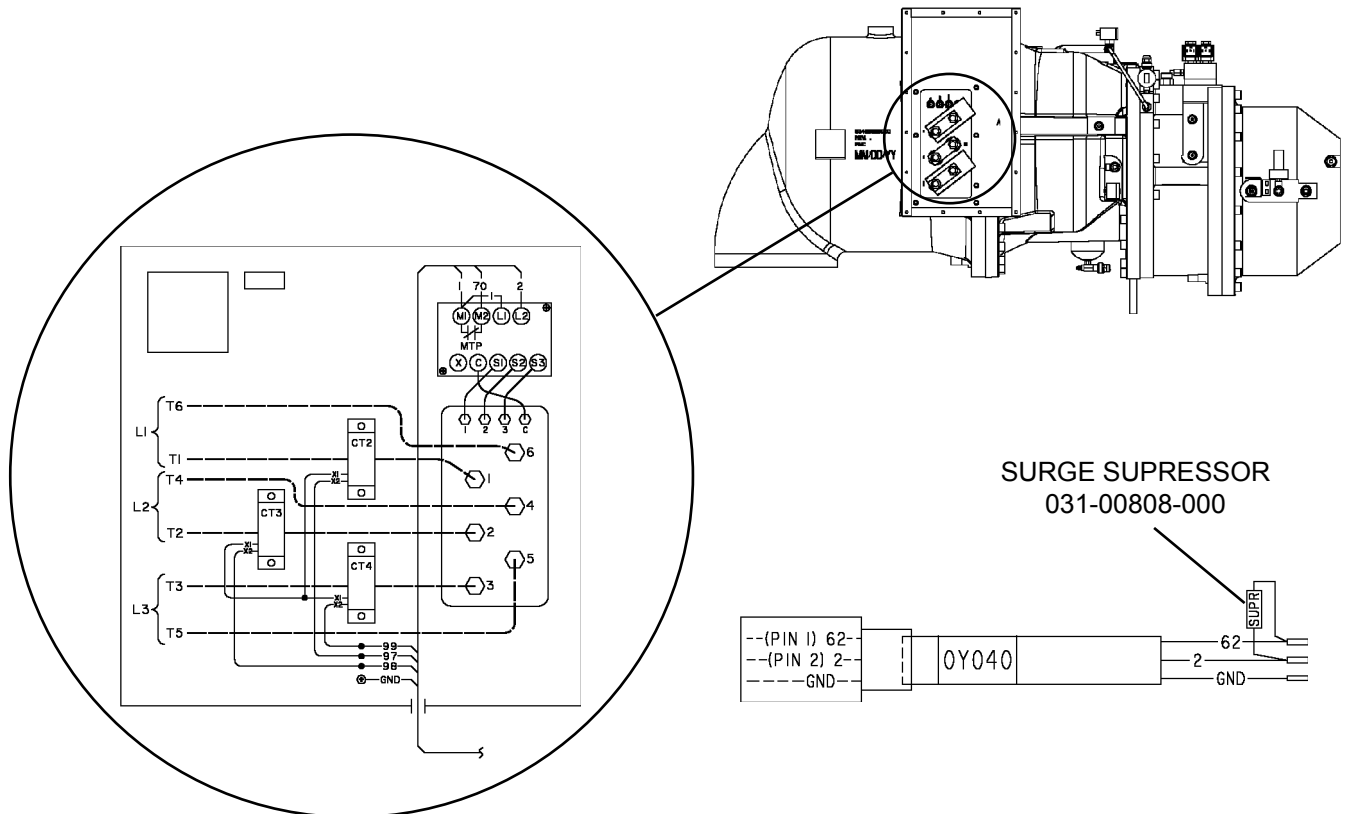
\*\* Items only available in O-ring Kit

## KIT CURRENT TRANSFORMER SELECTION USE WITH FIELD INSTALLED ELECTRICAL-MECHANICAL STARTERS ONLY

1. Using motor voltage and full load amps (FLA) choose the current transformer ratio. This ratio will determine the "CT" kit part number to be entered on the Sales Order.
2. Using the proper equation in the last column of the chart, calculate the resistor setting "R". Enter this value (rounded off to 2 decimal places) on the Sales Order in the space provided.
3. Using LRA and FLA data, calculate the "CM" ratio setting and enter this value (rounded off to 1 decimal place) on the Sales Order in the space provided.

$$\text{CM ratio setting} = \frac{\text{LRA}}{\text{FLA}}$$

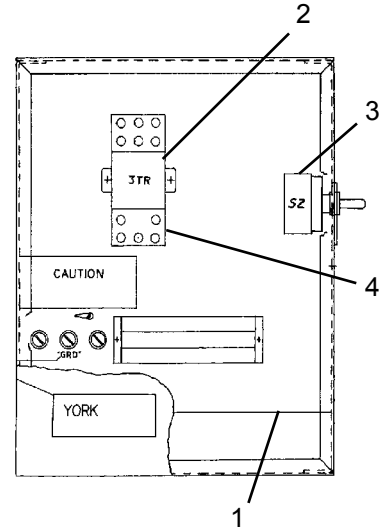
<b>CURRENT TRANSFORMER KIT</b>						
MOTOR VOLTAGE	FLA	"CT" RATIO	PART NUMBER	"R" RESISTOR SETTINGS	"CT" ONLY	PROTECTOR MODULE
200 / 600	65 - 111	200 : 1	375-37088-701	R = 1.282 (CT RATIO) MOTOR FLA	025-21173-001	024-30989-000
	112 - 224	350 : 1	375-37088-702		025-21173-002	
	225 - 829	700 : 1	375-37088-703		025-21173-003	
	830 - 1790	1400 : 1	375-37088-704		025-21173-004	



## MULTIPLE UNIT SEQUENCE KIT CONTROLS

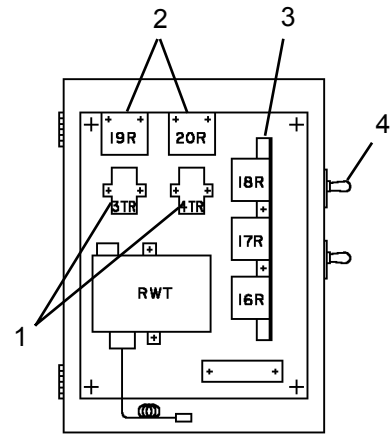
### 2 UNIT

ITEM NUMBER	DESCRIPTION	PART NUMBER	QUANTITY PER UNIT
1	CONTROL, TEMP RANGE, 20 TO 80	025-15154-000	1
2	RELAY, TD ON 115V 50/60 CY	024-30497-000	1
3	SWITCH, TOGGLE 4PDT ON-NONE	024-14057-000	1
4	SOCKET RELAY	024-24953-000	1



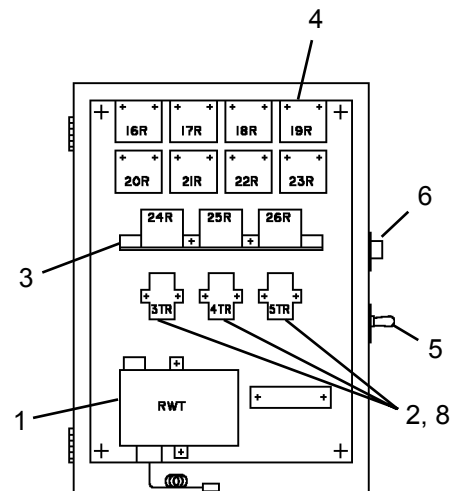
### 3 UNIT

ITEM NUMBER	DESCRIPTION	PART NUMBER	QUANTITY PER UNIT
1	RELAY, TD ON 115V 50/60 CY	024-30497-000	2
2	RELAY, CONTROL 120V COIL	024-14519-000	2
3	RELAY, CONTROL 120V 50/60HZ	024-17027-000	3
4	SWITCH, TOGGLE 3 POSITION	024-17026-000	1
5	WELL BULB, 50/60/75/100 12	367-35168-000	1
6	SOCKET RELAY	024-24953-000	2



### 4 UNIT

ITEM NUMBER	DESCRIPTION	PART NUMBER	QUANTITY PER UNIT
1	CONTROL, TEMPERATURE, 3 STAGE	025-10214-000	1
2	RELAY, TD ON 115V 50/60 CY	024-30497-000	3
3	RELAY, CONTROL 120V 50/60HZ	024-17027-000	3
4	RELAY, CONTROL 120V COIL	024-14519-000	8
5	SWITCH, TOGGLE SPST ON-NONE	024-11736-000	1
6	SWITCH, ROTARY 4 CKT 15A 1	024-20494-000	1
7	WELL BULB, 50/60/75/100 12	367-35168-000	1
8	SOCKET RELAY	024-24953-000	3



## GASKETS, EVAPORATOR WATER BOXES

WORKING PRESSURE	TYPE WATER BOX	SHELL CODE	PASS	GASKET PART NUMBER	QTY. FT	GASKET PART NUMBER	QTY. FT	
150 PSI	Compact Heads w/o Flanges	TA, TB, TC, TD, VB, VC, VD	1 - Pass	028-09951-000	18			
			2 - Pass	028-09951-000	18			
			3 - Pass	028-09951-000	18			
		WA, WB, WC, WD, XB, XC, XD	1 - Pass	028-09951-000	20			
			2 - Pass	028-09951-000	20			
			3 - Pass	028-09951-000	20			
	Compact Heads with Flanges	TA, TB, TC, TD, VB, VC, VD	1 - Pass	028-09951-000	18			
			2 - Pass	028-09951-000	18			
			3 - Pass	028-09951-000	18			
		WA, WB, WC, WD, XB, XC, XD	1 - Pass	028-09951-000	20			
			2 - Pass	028-09951-000	20			
			3 - Pass	028-09951-000	20			
300 PSI	Compact Heads with Flanges	TA, TB, TC, TD, VB, VC, VD	1 - Pass	028-03242-000	14			
			2 - Pass	028-03242-000	14	028-09951-000	3	
			3 - Pass	028-03242-000	14	028-09951-000	5	
		WA, WB, WC, WD, XB, XC, XD	1 - Pass	028-03424-000	16			
			2 - Pass	028-03242-000	16	028-09951-000	3	
			3 - Pass	028-03242-000	16	028-09951-000	4	
	150 PSI	Marine Heads w/o Flanges	TA, TB, TC, TD, VB, VC, VD	1 - Pass	028-03242-000	28		
				2 - Pass	028-09951-000	14	028-03242-000	14
				3 - Pass	028-09951-000	8	028-03242-000	28
WA, WB, WC, WD, XB, XC, XD			1 - Pass	028-03242-000	32			
			2 - Pass	028-09951-000	14	028-03242-000	16	
			3 - Pass	028-09951-000	6	028-03242-000	32	
Marine Heads with Flanges		TA, TB, TC, TD, VB, VC, VD	1 - Pass	028-09951-000	28			
			2 - Pass	028-09951-000	14	028-03242-000	14	
			3 - Pass	028-09951-000	8	028-03242-000	28	
		WA, WB, WC, WD, XB, XC, XD	1 - Pass	028-03242-000	32			
			2 - Pass	028-09951-000	14	028-03242-000	16	
			3 - Pass	028-09951-000	6	028-03242-000	32	
300 PSI	Marine Heads with Flanges	TA, TB, TC, TD, VB, VC, VD	1 - Pass	028-03242-000	28			
			2 - Pass	028-03242-000	21	028-09951-000	6	
			3 - Pass	028-03242-000	28	028-09951-000	8	
		WA, WB, WC, WD, XB, XC, XD	1 - Pass	028-03242-000	32			
			2 - Pass	028-03242-000	24	028-09951-000	6	
			3 - Pass	028-03242-000	32	028-09951-000	6	

## GASKETS, CONDENSER WATER BOXES

WORKING PRESSURE	TYPE WATER BOX	SHELL CODE	PASS	GASKET PART NUMBER	QTY. FT	GASKET PART NUMBER	QTY. FT	
150 PSI	Compact Heads w/o Flanges	TA, TB, TC, TD, VB, VC, VD	1 - Pass	028-09951-000	12			
			2 - Pass	028-09951-000	14			
			3 - Pass	028-09951-000	16			
		WA, WB, WC, WD, XB, XC, XD	1 - Pass	028-09951-000	14			
			2 - Pass	028-09951-000	17			
			3 - Pass	028-09951-000	18			
	Compact Heads with Flanges	TA, TB, TC, TD, VB, VC, VD	1 - Pass	028-09951-000	12			
			2 - Pass	028-09951-000	14			
			3 - Pass	028-09951-000	16			
		WA, WB, WC, WD, XB, XC, XD	1 - Pass	028-09951-000	14			
			2 - Pass	028-09951-000	17			
			3 - Pass	028-09951-000	18			
300 PSI	Compact Heads with Flanges	TA, TB, TC, TD, VB, VC, VD	1 - Pass	028-03242-000	12	028-09951-000	12	
			2 - Pass	028-03242-000	12	028-09951-000	14	
			3 - Pass	028-03242-000	12	028-09951-000	16	
		WA, WB, WC, WD, XB, XC, XD	1 - Pass	028-09951-000	14			
			2 - Pass	028-03242-000	14	028-09951-000	17	
			3 - Pass	028-03242-000	14	028-09951-000	18	
	150 PSI	Marine Heads w/o Flanges	TA, TB, TC, TD, VB, VC, VD	1 - Pass	028-03242-000	24		
				2 - Pass	028-09951-000	10	028-03242-000	12
				3 - Pass	028-09951-000	8	028-03242-000	24
WA, WB, WC, WD, XB, XC, XD			1 - Pass	028-03242-000	28			
			2 - Pass	028-09951-000	13	028-03242-000	14	
			3 - Pass	028-09951-000	10	028-03242-000	28	
Marine Heads with Flanges		TA, TB, TC, TD, VB, VC, VD	1 - Pass	028-03242-000	24			
			2 - Pass	028-09951-000	10	028-03242-000	12	
			3 - Pass	028-09951-000	8	028-03242-000	24	
		WA, WB, WC, WD, XB, XC, XD	1 - Pass	028-03242-000	28			
			2 - Pass	028-09951-000	13	028-03242-000	14	
			3 - Pass	028-09951-000	10	028-03242-000	28	
300 PSI	Marine Heads with Flanges	TA, TB, TC, TD, VB, VC, VD	1 - Pass	028-03242-000	24			
			2 - Pass	028-03242-000	12	028-09951-000	10	
			3 - Pass	028-03242-000	24	028-09951-000	8	
		WA, WB, WC, WD, XB, XC, XD	1 - Pass	028-03242-000	28			
			2 - Pass	028-03242-000	14	028-09951-000	13	
			3 - Pass	028-03242-000	28	028-09951-000	10	

## EVAPORATOR TUBES

Refer to the Sales Order Screen of the Opti-View Control Center for Tube Codes

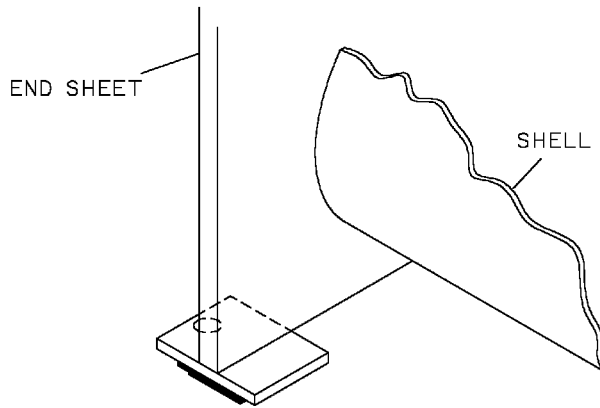
SHELL CODE	TUBE QUANTITY	COPPER			COPPER NICKEL	
		STANDARD	OPTIONS			
		0.025 Wall	0.028 Wall	0.035 Wall	0.028 Wall	0.035 Wall
TA	106	007-09261-000	007-07872-000	007-07883-000	007-07877-000	007-07878-000
TB	130	007-09261-000	007-07872-000	007-07883-000	007-07877-000	007-07878-000
TC	159	007-09261-000	007-07872-000	007-07883-000	007-07877-000	007-07878-000
TD	194	007-09261-000	007-07872-000	007-07883-000	007-07877-000	007-07878-000
VB	130	007-08404-000	007-07885-000	007-07921-000	007-08849-000	007-08850-000
VC	159	007-08404-000	007-07885-000	007-07921-000	007-08849-000	007-08850-000
VD	194	007-08404-000	007-07885-000	007-07921-000	007-08849-000	007-08850-000
WA	210	007-09224-000	007-07879-000	007-07917-000	007-08410-000	007-08411-000
WB	236	007-09224-000	007-07879-000	007-07917-000	007-08410-000	007-08411-000
WC	280	007-09224-000	007-07879-000	007-07917-000	007-08410-000	007-08411-000
WD	336	007-09224-000	007-07879-000	007-07917-000	007-08410-000	007-08411-000
XB	236	007-09214-000	007-09212-000	007-09213-000	007-08851-000	007-08852-000
XC	280	007-09214-000	007-09212-000	007-09213-000	007-08851-000	007-08852-000
XD	336	007-09214-000	007-09212-000	007-09213-000	007-08851-000	007-08852-000

## CONDENSER TUBES

SHELL CODE	TUBE QTY	COPPER			COPPER NICKEL		COPPER (Smooth Bore)	
		STANDARD	OPTIONS					
		0.025	0.028	0.035	0.028	0.035	0.028	0.035
TA	153	007-09288-000	007-09280-000	007-09281-000	007-08519-000	007-08511-000	007-08508-000	007-08897-000
TB	194	007-09288-000	007-09280-000	007-09281-000	007-08519-000	007-08511-000	007-08508-000	007-08897-000
TC	216	007-09288-000	007-09280-000	007-09281-000	007-08519-000	007-08511-000	007-08508-000	007-08897-000
TD	244	007-09288-000	007-09280-000	007-09281-000	007-08519-000	007-08511-000	007-08508-000	007-08897-000
VB	194	007-09262-000	007-09263-000	007-09264-000	007-08833-000	007-08623-000	007-08650-000	007-08641-000
VC	216	007-09262-000	007-09263-000	007-09264-000	007-08833-000	007-08623-000	007-08650-000	007-08641-000
VD	244	007-09262-000	007-09263-000	007-09264-000	007-08833-000	007-08623-000	007-08650-000	007-08641-000
WA	247	007-09289-000	007-09282-000	007-09283-000	007-08898-000	077-08510-000	007-09200-000	007-08518-000
WB	284	007-09289-000	007-09282-000	007-09283-000	007-08898-000	077-08510-000	007-09200-000	007-08518-000
WC	355	007-09289-000	007-09282-000	007-09283-000	007-08898-000	077-08510-000	007-09200-000	007-08518-000
WD	443	007-09289-000	007-09282-000	007-09283-000	007-08898-000	077-08510-000	007-09200-000	007-08518-000
XB	284	007-09265-000	007-09266-000	007-09267-000	007-08855-000	077-08856-000	007-08857-000	007-08858-000
XC	355	007-09265-000	007-09266-000	007-09267-000	007-08855-000	077-08856-000	007-08857-000	007-08858-000
XD	443	007-09265-000	007-09266-000	007-09267-000	007-08855-000	077-08856-000	007-08857-000	007-08858-000

## NEOPRENE VIBRATION ISOLATORS

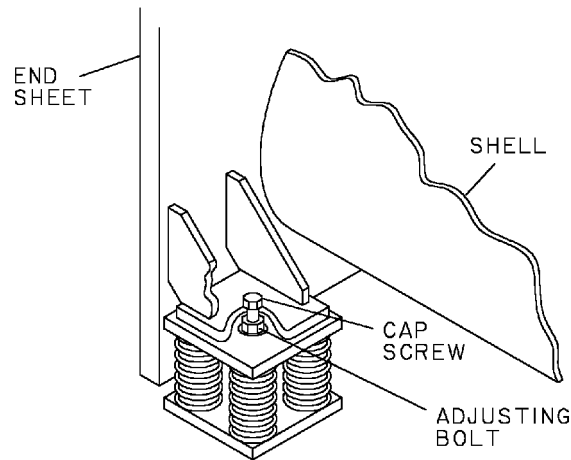
SYSTEM OPERATING WEIGHT		PART NUMBER (Includes Quantity of 4 Pads)	PAD SIZE
KILOGRAMS	POUNDS		
Up to 7423	Up to 16,365	028-14462-000	5.5" x 5.5" (14 x 14 cm)
7424 to 13,107	16,366 to 28,835	028-14459-000	7" x 5.5" (23 x 14 cm)
13,108 to 24,332	28,836 to 53,530	028-14460-000	9" x 7" (23 x 18 cm)
24,333 to 45,666	53,531 to 100,464	028-14461-000	11" x 10" (30 x 25.4 cm)



NEOPRENE PADS

## SPRING ISOLATORS

SYSTEM OPERATING WEIGHT		PART NUMBER (Includes Brackets and Hardware)	QUANTITY (Number of Mounts Per Package)
KILOGRAMS	POUNDS		
4536 to 8873	10,000 to 19,563	029-23716-000	4
8874 to 11,093	19,564 to 24,457	029-21793-000	4
11,094 to 13,982	24,458 to 30,826	029-21376-000	4
13,983 to 15,880	30,827 to 35,009	029-20933-000	4
15,881 to 20,974	35,010 to 46,239	029-20934-000	4
20,975 to 26,467	46,240 to 58,349	029-20935-000	4
26,468 to 35,031	58,350 to 77,229	029-20936-000	4
35,032 to 40,525	77,230 to 89,340	029-21388-000	4



SPRING ISOLATORS

## MISCELLANEOUS AND ACCESSORIES

DESCRIPTION	PART NUMBER	QUANTITY
COMPOUND, HEAT CONDUCTIVE (FOR THERMOMETER WELLS)	013-00898-000	4 OZ. CAN
OIL, YORK "H"	011-00549-000*	9 GALLONS
ADHESIVE, 3M SCOTCH	013-00995-000	5 OZ. TUBE
TOUCH-UP PAINT, CARIBBEAN BLUE ENAMEL	013-01835-000	1 SPRAY CAN
TOUCH-UP PAINT, BLACK (CONTROL CENTER)	PURCHASE LOCALLY	1 SPRAY CAN
TAPE, ELECTRICAL AND THERMAL INSULATING	025-37829-000	1 (10 FT. ROLL)

\*Part Number is for 5 Gallon Can

## FLOW SWITCH CONTROL

DWP (BARG)	MODEL	PART NUMBER
150 (10.3)	F61MG-1C	024-26116-000
300 (30.7)	FS7-4W	024-12144-000

## R-134A REFRIGERANT, FACTORY CHARGE

EVAPORATOR CODE	CONDENSER CODE	LBS. (KG)	PURCHASE LOCALLY
T	T	650 (295)	
V	V	900 (408)	
W	W	1250 (567)	
X	X	1550 (703)	

## DIFFERENTIAL PRESSURE CONTROL

DESCRIPTION	PART NUMBER
CONTROL, DIFFERENTIAL PRESSURE**	025-30919-000

\*\*300 PSI Maximum Working Pressure

## COMPONENT REBUILD KITS

COMPONENT PART NO.	COMPONENT DESCRIPTION	REPAIR KIT PART NO.	REPAIR KIT CONTENTS
022-10067-000	ISOLATION VALVE - FLOWSEAL 6" BUTTERFLY VALVE	022-10067-090	VALVE SEAL REBUILD KIT TFE KIT... SOFT SEAT, VITON O-RING, TFE PACKING, RETAINER RING SET SCREWS, AND END SEAL OR LOWER PACKING.
022-10094-000	HOT GAS BY-PASS VALVE - MUELLER 3-WAY BALL VALVE	022-10094-090	VALVE SEAT / STEM PACKING AND O-RING KIT.
022-10095-000	HOT GAS BY-PASS VALVE - SPORLAN 1-1/2" PILOT VALVE W/4 BOLT FLANGE	022-10095-090	STEM AND PLUNGER ASSEMBLY, PISTON ASSEMBLY, CLOSING SPRING, ENCLOSING TUBE TETRA SEAL, BODY FLANGE O-RING, ENCLOSING TUBE O-RING, ENCLOSING TUBE FLAT GASKET, AND PILOT VALVE FLANGE PLATE.
025-33703-000	REPLACEMENT FOR THERMOSTAT FOR CHROMALOX 500 WATT IMMERSION HEATER	022-33703-090	THERMOSTAT (0-127°F) SET AT 110°F
026-37588-000	CAPACITY CONTROL SLIDE VALVE SOLE- NOID VALVE	025-35169-000	COIL, DIN, SOLENOID VALVE.
025-35150-00X	SOLENOID VALVE, 2-WAY 3/8" ORFS, DANFOSS	025-35150-090	GASKET AND COIL



P.O. Box 1592, York, Pennsylvania USA 17405-1592  
Copyright © by York International Corporation 2004

Form 160.81-RP1 (104)  
Supersedes: 160.81-RP1 (0901)

Subject to change without notice. Printed in USA  
ALL RIGHTS RESERVED