



Form Number: 160.81-RP1 (LS01)

204

Supercedes: None

LITERATURE SUPPLEMENT

File with: 160.81-RP1 (104)

Subject: REVISED T0 THROUGH T3 COMPRESSOR COMPONENTS

T0 THROUGH T3 COMPRESSOR COMPONENTS

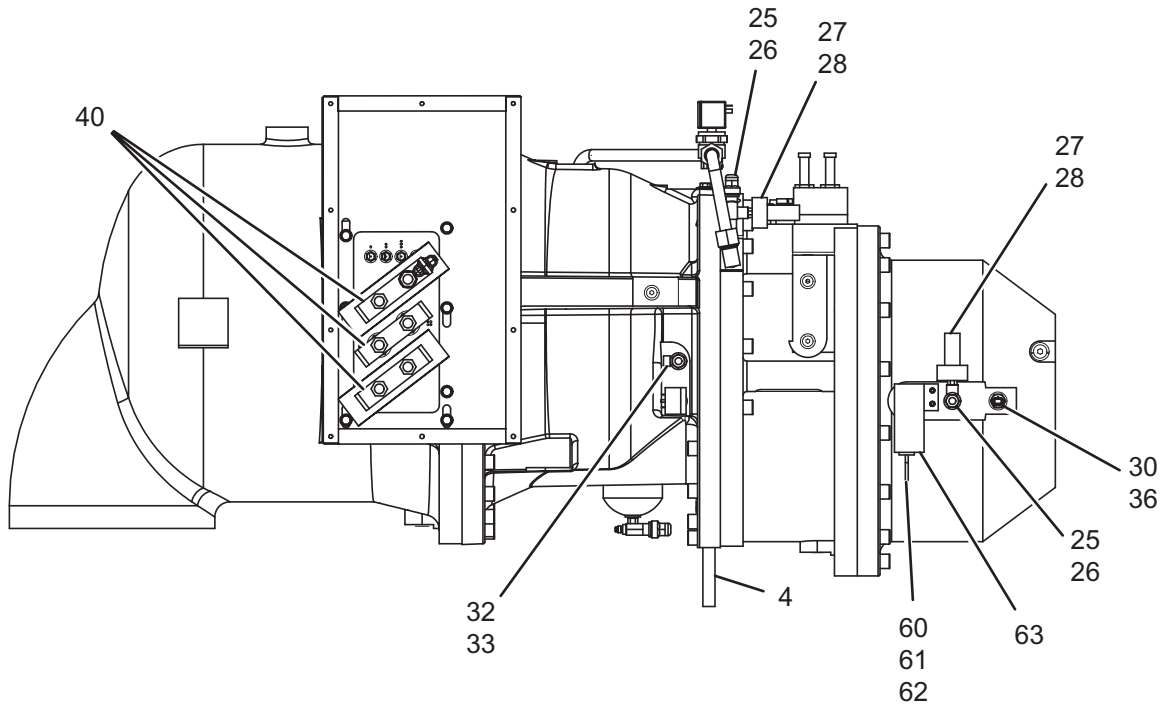


FIG. 13 -

LD09474

ITEM NUMBER	DESCRIPTION	PART NUMBER	QTY	FIG REF
4	Stud, Metric Continuous	021-17510-000	1	13
5	Bracket Oil Filter	075-41298-000	1	14
6	Housing, Filter Oil	026-37589-000	2	14
	Kit, Filter and O-ring	364-50438-001	2	
9	Gasket, Flare 1/4 OD Tube	028-01259-000	2	14
10	Valve Stop Ang Vertical	022-10092-000	2	14
11	Valve Stop Ang Vertical	022-10046-000	2	14
12	Seal, O-ring Neoprene	028-12961-006	2	14
13	Nut, 3/4 OD Tube	023-18286-000	8	11, 14
14	Sleeve 3/4 OD Tube	023-18284-000	8	11, 14
15	Seal, O-ring Neoprene	028-12961-015	8	11, 14
19	Valve Solenoid	025-35150-104	1	11, 14
23	Fitting #12 Face Seal x #6	023-21877-000	1	11
24	Seal, O-ring Neoprene	028-12961-003	1	11

T0 THROUGH T3 COMPRESSOR COMPONENTS (CONT'D)

25	Valve Stop Ang Vertical	022-09577-000	2	10, 13
26	Seal, O-ring Neoprene	028-12961-001	9	10, 13, 14
27	Transducer Pressure	025-28678-006	2	10, 13
28	Seal, O-ring Neoprene	028-12961-002	2	10, 13
30	Sensor, Temperature 50,000 Ohms	025-35956-000	1	10, 13
31	Slide Valve Assembly	026-37588-000	1	10
32	Valve Stop Ang Vertical	022-10054-000	1	13
33	Seal, O-ring Neoprene	028-12961-003	1	13
35	Connector, 3/4 OD Tube Male	023-20299-000	1	10
36	Seal, O-ring Neoprene	028-12961-004	1	10, 13
38	Tee Union 3/4"	023-18913-000	1	14
39	Valve, 3-way Ball	022-10094-000	1	14
40	Bus Bar T0/T3	071-02776-321	3	13
45	Bracket, Oil Line Compr	075-44522-000	1	10
52	Valve, Access 7/16-20UNF	022-09783-000	1	10
60	Elbow 90° 3/16 OD Tube 3/8	023-21776-000	1	13
61	Seal, O-Ring Neoprene	028-12961-021	2	13
62	High Pressure Cutout	025-35932-000	1	13
69	Valve, Solenoid	022-10093-000	3	10
70	Valve, Isolation, HP & LP, Short	022-10619-000	2	10
71	Valve, Isolation, Common, Long	022-10623-000	1	10
72	Block, Capacity Control	029-23736-000	1	10
73	Gasket Kit	026-37914-000	1	10

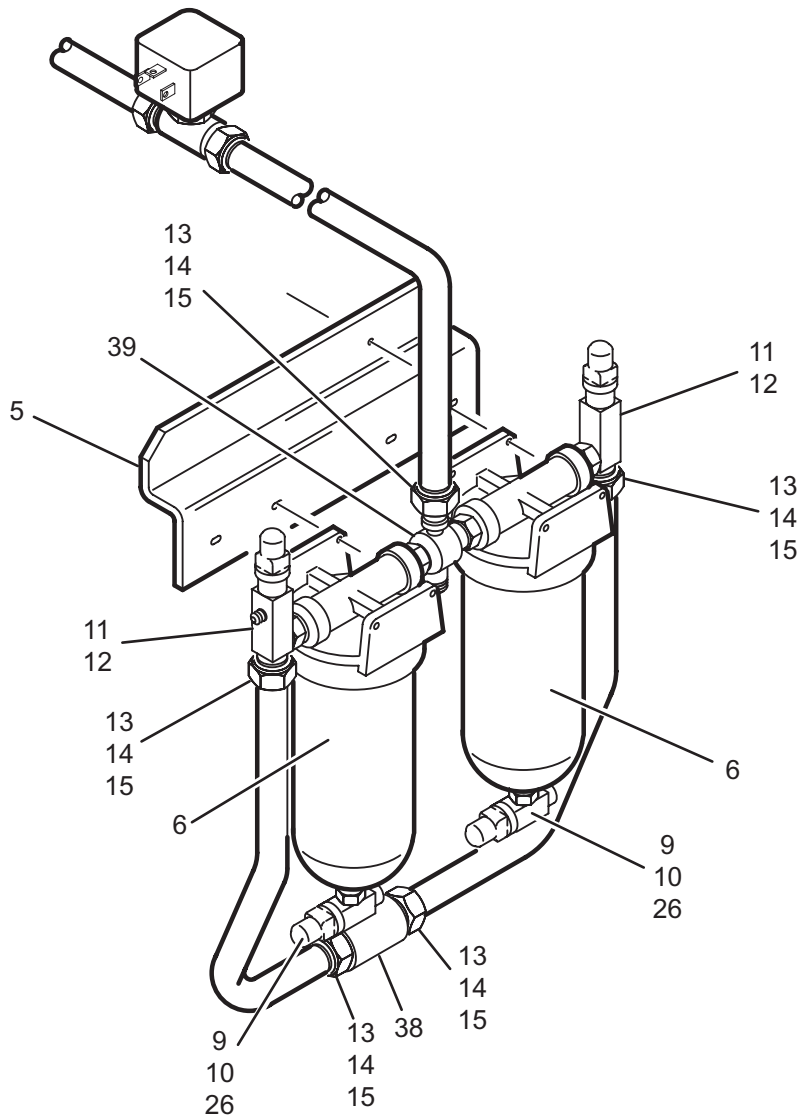


FIG. 14 -

LD09412

O-RING KIT: 028-15058-000
200 YRS COMPRESSOR

ITEM NO.	DESCRIPTION	QTY.
201	2 - 012	3
202	2 - 015	1
203	2 - 020	3
204	2 - 042	2
205	2 - 154	2
206	2 - 161	2
207	2 - 238	2
208	2 - 388	1
209	2 - 391	1
210	2 - 385	1
211	2 - 903	1
213	2 - 906	12
216	2 - 932	1

