



**WATER-COOLED LIQUID CHILLERS
SEMI-HERMETIC SCREW 60 HZ**

RENEWAL PARTS

New Release

Form: 201.24-RP1 (1102)

**MODELS YCWS0100, 0120, 0140, 0180, 0200, 0220
and YCWS0240 SC**

**REMOTE CONDENSER MODELS YCRS0100, 0120,
0140, 0180, 0200, 0220 and YCRS0240 SC**



91 - 216 TON
320 - 760 kW
R-22
STYLE SC



ALLY



200-3-60
230-3-60
315-3-60
460-3-60
575-3-60
MODELS ONLY

TABLE OF CONTENTS

	PAGE
UNIT NOMENCLATURE NAMEPLATE ENGINEERING DATA	3
EVAPORATOR	
EVAPORATOR COMPONENTS	4
CONDENSER	
CONDENSER COMPONENTS	6
PIPING	
REFRIGERANT AND OIL PIPING COMPONENTS	8
COMPRESSOR	
COMPRESSOR	12
CONTROL AND POWER PANELS	
CONTROL PANEL, OPTION PANEL AND POWER PANEL	24
CONTROL PANEL COMPONENTS	25
OPTION PANEL COMPONENTS	28
POWER PANEL AND OPTIONS PANEL CONFIGURATIONS	30
POWER PANEL COMPONENTS	31
TRANSDUCERS, PRESSURE CUTOUTS AND TEMP SENSORS	42
WIRE HARNESS CONNECTORS - FIELD REPLACEMENT PART NUMBERS	44
CHILLER OPTIONS	
YCWS & YCRS CHILLER OPTIONS - KITS	46
REMOTE CONTROL CENTER	48
REMOTE CURRENT/TEMPERATURE RESET PARTS BREAKDOWN	49
RECOMMENDED SPARE PARTS	50

WARNING

HIGH VOLTAGE

**Is used in the operation of this equipment.
DEATH OR SERIOUS INJURY**

may result if personnel fail to observe safety precautions.

Work on electronic equipment should not be undertaken unless the individual(s) have been trained in the proper maintenance of equipment and is (are) familiar with its potential hazards.

Shut off power supply to the equipment before beginning work and follow lockout procedures. When working inside equipment with power off, take care to discharge every capacitor likely to hold dangerous potential.

Be careful not to contact high voltage connections when installing or operating this equipment.

LOW VOLTAGE

DO NOT be misled by the term "low voltage." Voltages as low as 50 volts may cause death.

UNIT NOMENCLATURE NAMEPLATE ENGINEERING DATA

BASIC PART NUMBER

YCWS0140SC28YAA

1	2	3	4	5	6	7	8	9	10	11	12	13	14	15
BASE PRODUCT TYPE				NOMINAL CAPACITY				UNIT DESIGNATOR	REFRIGERANT	VOLTAGE/STARTER			DESIGN/DEVELOPMENT LEVEL	
Y	C	W	R	#	#	#	#	S	C	2	0	2	A	
: YORK : Chiller : Water Cooled : Remote Cond. S : Screw				Tons 0100 0120 0140 0180 0200 0220 0240				Standard Unit	:R-22 B :R-407C	:200/3/60 :230/3/60 :380/3/60 :460/3/60 :575/3/60 Y :Wye Delta			:Design A (60Hz) :Design B (50Hz) :Engineering Change or PIN Level	

PART NUMBER – LETTER CODES

16 17 18 19	20 21 22 23 24 25 26 27 28	29 30 31 32 33 34 35 36 37
POWER FIELD	CONTROLS FIELD	COMPRESSOR / PIPING FIELD
X X : MP TB M D : MP NF DS M B : MP w/Ind. Sys. Brkr. & L.Ext. Hdls S S : SP TB w/Ind. Sys. Disc. Sw. S B : SP TB w/Ind. Sys. Brkr. & L.Ext. Hdls D B : SP NF DS w/Ind. Sys. Brkr. & L.Ext. Hdls F B : SP NF DS w/Ind. Fuses 6 5 : SP High Fault Current 65Ka	T : BAS/EMS Temp. Reset / Offset C : BAS/EMS Current Reset / Offset B : Both Low / High Ambient (factory) S : Spanish LCD & Keypad Display F : French LCD & Keypad Display G : German LCD & Keypad Display L : N. American Safety Code (cU.L./cETL) N : No Listing (typically 50 HZ non-CE, non-U.L.) O : Opti-View Remote Panel S : Sequence Control & Automatic Lead Transfer	# # : Leaving Supply Temp T S : Thermal Storage C : Chicago Relief Code

MP = Multiple Point Supply
SP = Single Point Supply
NF = Non-Fused
DS = Disconnect Switch
TB = Terminal Block
Ser. = Service
Ind. Sys. Brkr. & L. Ext. Hdls = Individual System Breaker & Lockable External Handle

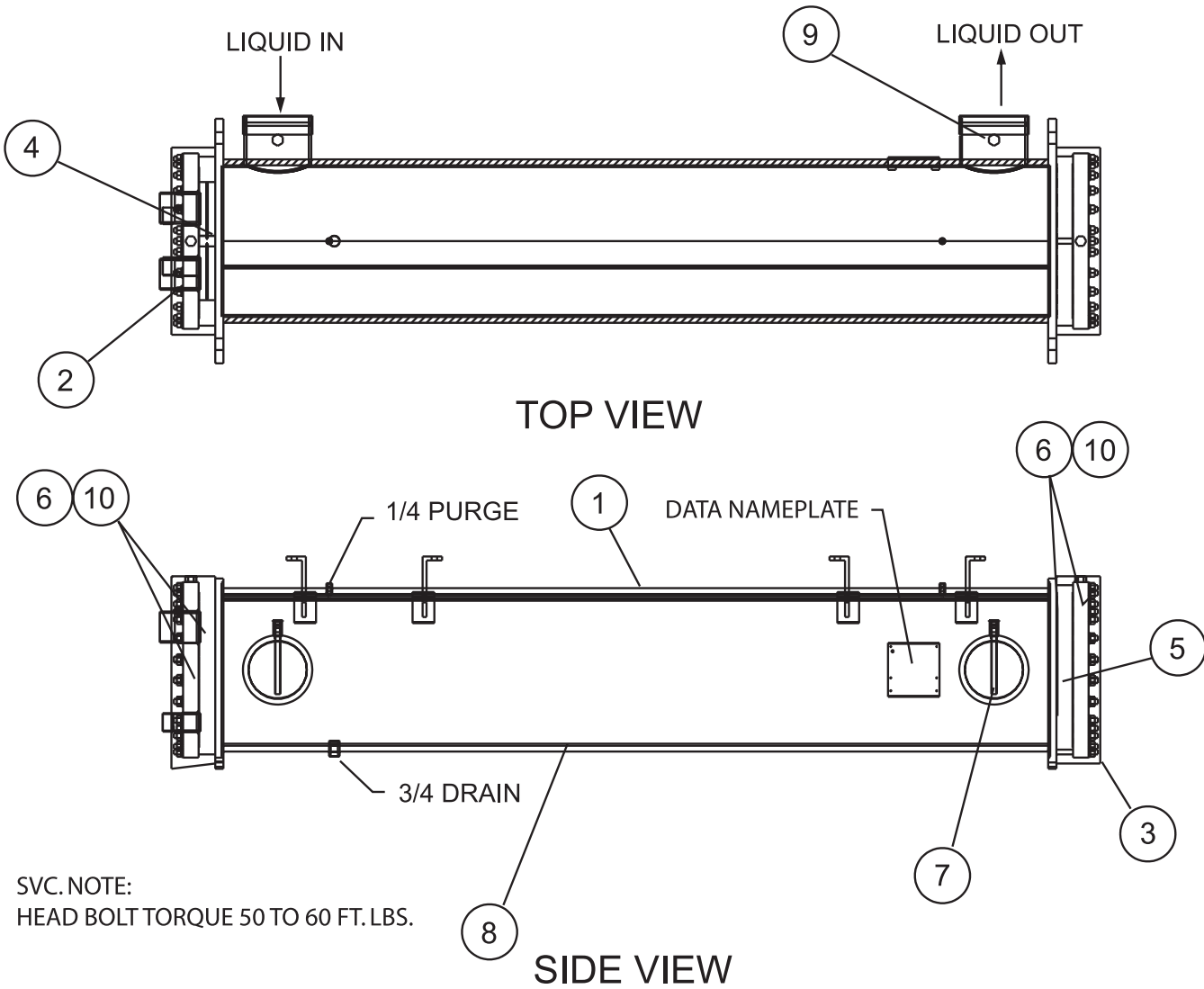
38 39 40 41 42 43 44	45 46 47	48 49 50 51 52 53 54
EVAP. FIELD	CONDENSER FIELD	CABINET FIELD
W : Weld Flange Kit V : Victualic Flange Kit S : Flow Switch D : Diff. Pressure Switch A : ASME Pressure Vessel & Associated Codes	X : Aluminum	P : Hand Held Printer X : Form 1 Shipment S : Final Overspray Paint 1 : 1" Deflection S : Seismic N : Neoprene Pads

55
EXTENDED FIELD

X : 1st Year Parts Only
B : 1st Year Parts & Labor
C : 2nd Year Parts Only
D : 2nd Year Parts & Labor
E : 5 Year Compressor Parts Only
F : 5 Year Compressor Parts & Labor Only
G : 5 Year Units Parts Only

NOTES:
 1. Q :DENOTES SPECIAL / S.Q.
 2. # :DENOTES STANDARD
 3. X :w/in OPTIONS FIELD, DENOTES NO OPTION SELECTED

EVAPORATOR COMPONENTS



44044-000

FIG. 1 – EVAPORATOR COMPONENTS - MODELS YCWS0100 AND YCWS0120 SHOWN
(REF. TABLE 1, PAGE 5)

EVAPORATOR COMPONENTS (CONT'D)

TABLE 1 – EVAPORATOR COMPONENTS - 150 PSIG (SEE FIG. 1, PAGE 4)

ITEM NUMBER	QTY. PER UNIT	DESCRIPTION	UNIT MODELS YCWS&YCRS0100 THRU 0140 (2200 LBS.)	UNIT MODELS YCWS&YCRS0180 AND 0200 (2450 LBS.)	UNIT MODELS YCWS&YCWS0220 AND 0240 (2650 LBS.)
1	1	COOLER, LESS HEATER & INSULATION (ITEMS 2 THRU 6)	375-44050-000 (22 1/2" O.D.)	375-44051-000 (23 3/8" O.D.)	375-44052-000 (24 1/4" O.D.)
2	1	HEAD, CONN. END	375-44581-000	375-44027-000	375-44061-000
3	1	HEAD, BACK END	375-44011-000	375-44024-000	375-44063-000
4	1	BAFFLE, PASS, CONN. END	375-44006-000	375-45201-000	375-44070-000
5	1	BAFFLE, PASS, BACK END	075-44009-000	075-45203-000	075-44083-000
6	4	GASKET, PASS BAFFLE AND HEAD	075-44010-000	075-44598-000	075-44067-000
7	1	WELL, THERMO	026-33627-000	026-33627-000	026-32328-000
8	2	INSULATION (3/4" x 49" x 65")	010-04198-000	010-04198-000	010-05997-000
9	1	SENSOR, WATER TEMP.	025-29964-000	025-29964-000	025-29964-000
10	1	ADHESIVE (USE WITH #6)	013-02293-000	013-02293-000	013-02293-000

Service Notes:

1. Head Bolt Torque Specifications - 50 to 60 ft. lbs.
2. DWP - 150 Waterside
(PSI) - 300 Refrigerant

CONDENSER COMPONENTS

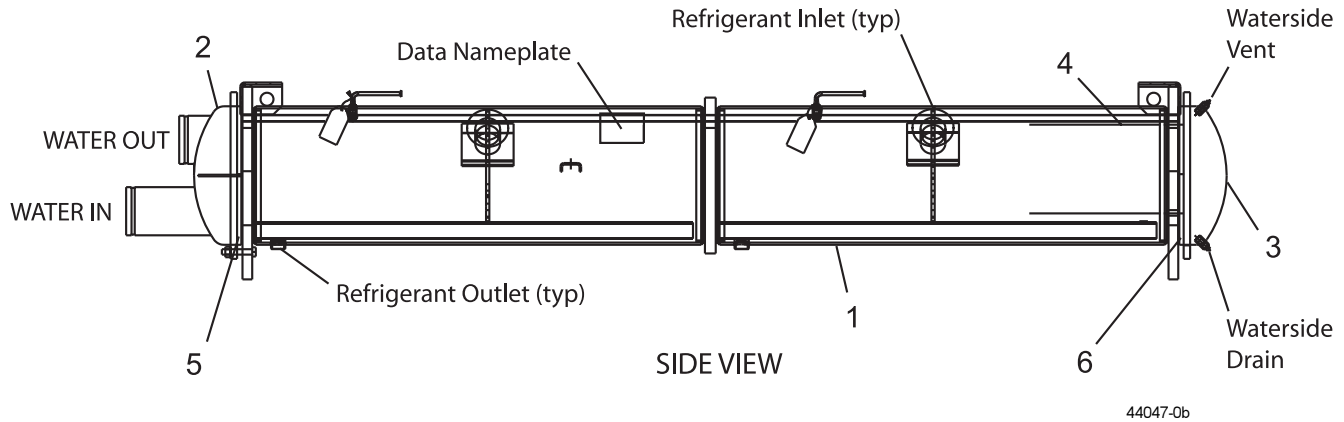


FIG. 2 – CONDENSER COMPONENTS (REF. TABLE 2)

TABLE 2 – CONDENSER COMPONENTS (SEE FIG. 2)

ITEM NUMBER	QTY. PER UNIT	DESCRIPTION	DWP	UNIT MODEL YCWS0100 THRU 0140	UNIT MODEL YCWS0180 AND 0200	UNIT MODEL YCWS0220 AND 0240
1	1	CONDENSER (INCLUDES ITEMS 2 THRU 6)	ALL	375-44047-000 1836 LBS.	375-44580-000 3201 LBS.	375-44580-000 3201 LBS.
2	1	HEAD, CONDENSER - FRONT	ALL	375-35869-000	375-35808-000	375-35808-000
3	1	HEAD, CONDENSER - REAR	ALL	366-92136-001	366-92590-000	366-92590-000
4	-	TUBE, COPPER (# OF TUBES PER CONDENSER)	ALL	007-09610-000 202	007-09610-000 248	007-09611-000 248
5	1	GASKET, FRONT HEAD	ALL	067-77469-000	066-92951-000	066-92951-000
6	1	GASKET, REAR HEAD	ALL	067-77469-000	066-92951-000	066-92951-000

Service Notes:

1. 3/4" Copper Tubes x 0.035" Wall.
2. Trim center rib off rear head gasket, item 6.
3. Torque Heads 75 - 85 FT. LBS.

This page intentionally left blank

REFRIGERANT AND OIL PIPING COMPONENTS CHILLER MODEL YCWS – STYLE SC

Piping

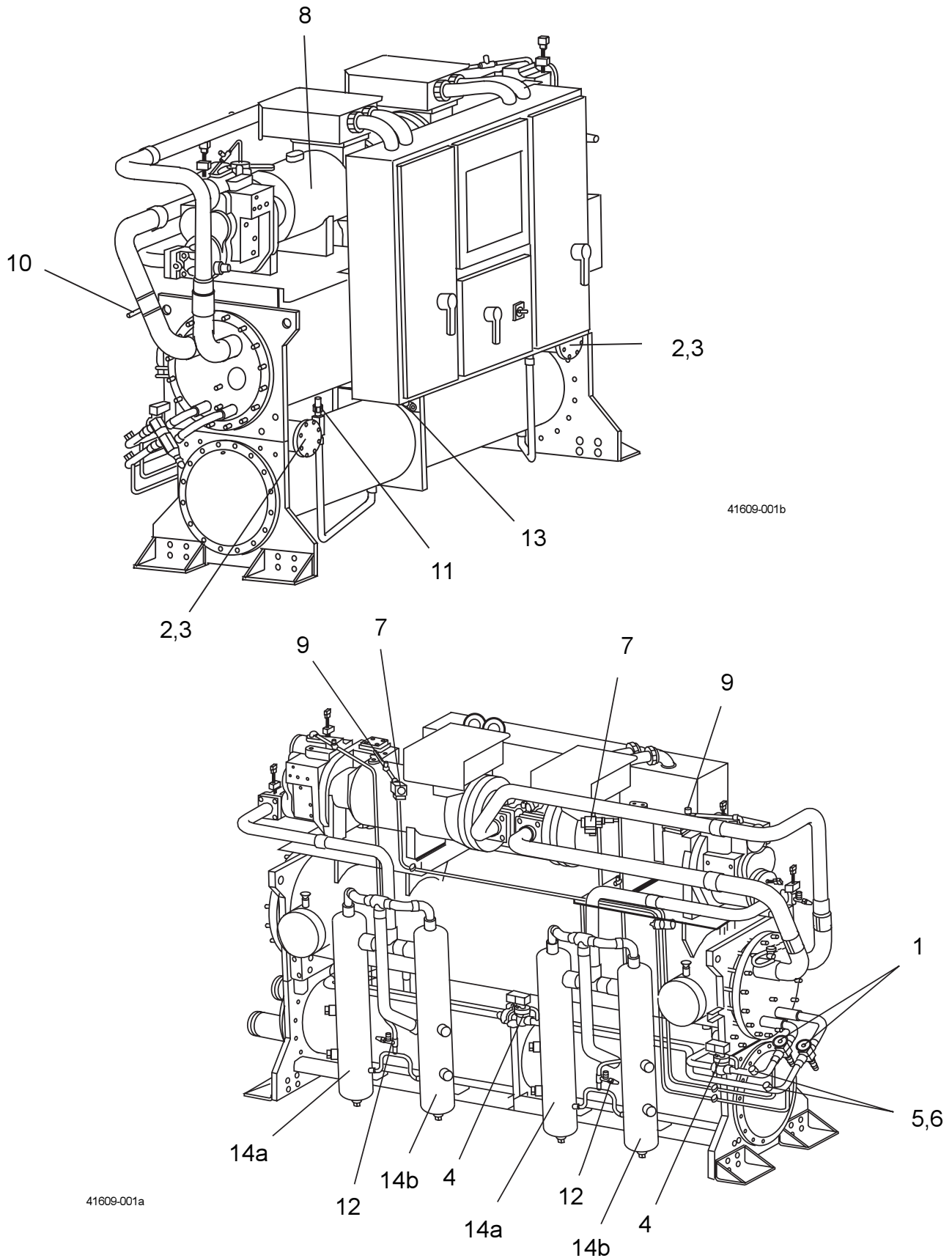


FIG. 3 – YCWS REFRIGERANT AND OIL PIPING COMPONENTS - SHOWN WITH DUAL OIL SEPARATORS PER SYSTEM (REF. TABLE 3, PAGES 10 AND 11)

REFRIGERANT AND OIL PIPING COMPONENTS (CONT'D)
CHILLER MODEL YCRS – STYLE SC – REMOTE CONDENSER

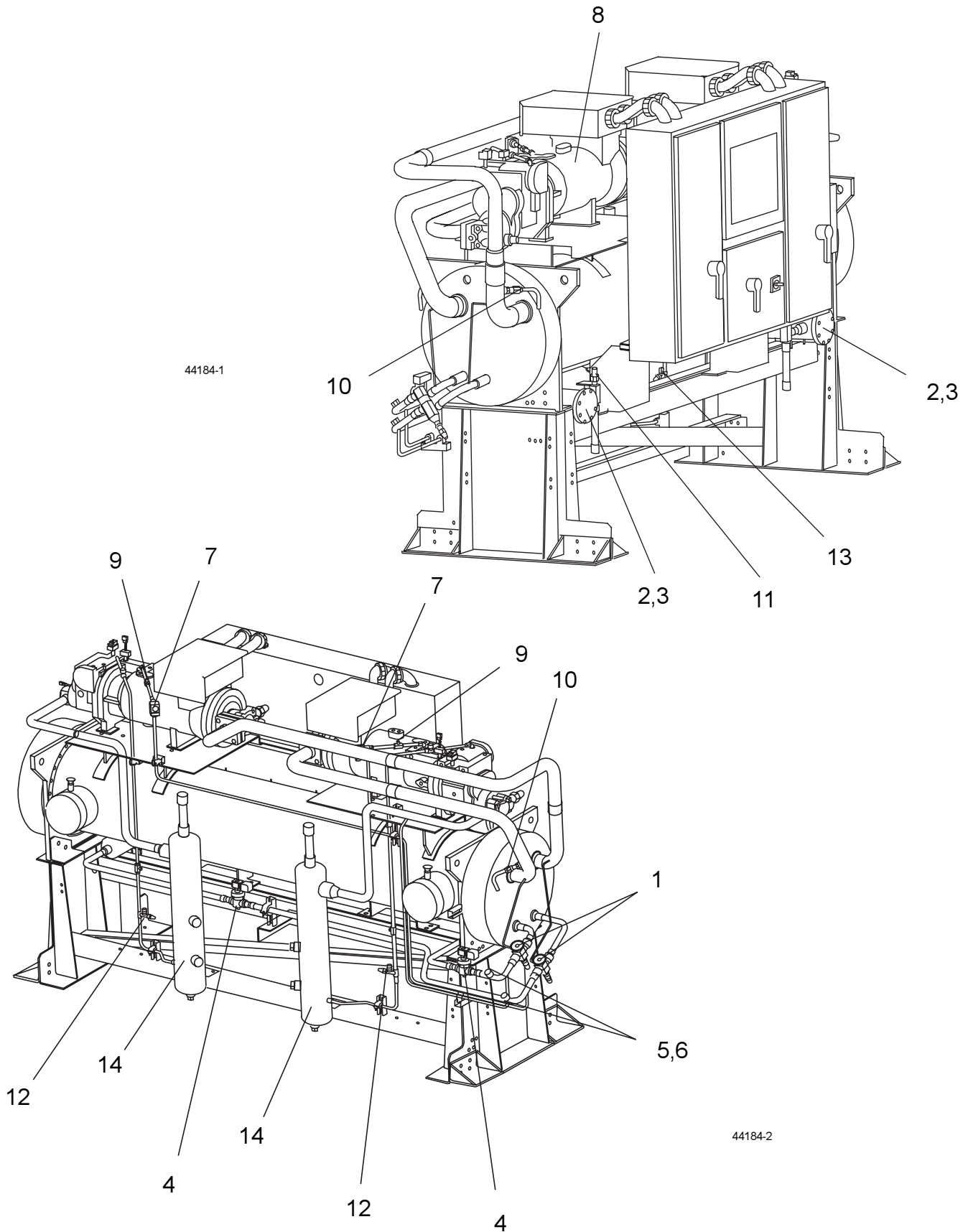


FIG. 4 – YCRS REFRIGERANT AND OIL PIPING COMPONENTS - SHOWN WITH SINGLE OIL SEPARATOR PER SYSTEM (REF. TABLE 4, PAGES 12 AND 13)

REFRIGERANT AND OIL PIPING COMPONENTS (CONT'D)

YCWS AND YCRS – STYLE SC – MODELS 0100-0180

TABLE 3 – REFRIGERANT PIPING AND OIL PIPING COMPONENTS (SEE FIGS. 3 AND 4, PAGES 8 AND 9)

ITEM NO.	SYSTEM	DESCRIPTION	YCWS0100 & YCRS0100	YCWS0120 & YCRS0120	YCWS0140 & YCRS0140	YCWS0180 & YCRS0180
1 ^s	1	Valve, Thermal Expansion	025-35757-000	025-33709-000	025-26964-000	025-26964-000
	2		025-35757-000	025-35757-000	025-26964-000	025-32906-000
2	Both	Shell, Dehydrator	026-21055-000	026-21055-000	026-21055-000	026-21055-000
3 ^s	Both	Filter Cartridge, Drier	026-18328-000	026-18328-000	026-18328-000	026-18328-000
4 ^s	1	Valve, Solenoid, Liq. Line	025-33705-000	025-33705-000	025-33704-000	025-33704-000
	2		025-33705-000	025-33704-000	025-33704-000	025-33281-000
5	1	Moisture Indicator, Body	026-32397-000	026-32397-000	026-32398-000	026-32398-000
	2		026-32397-000	026-32398-000	026-32398-000	026-32398-000
6	Both	Moisture Indicator, Sight Glass	026-32800-000	026-32800-000	026-32800-000	026-32800-000
7	1	Solenoid Valve, Oil Line	025-00245-000	022-00245-000	022-00245-000	022-00245-000
	2		025-00245-000	022-00245-000	022-00245-000	022-00245-000
8	Both	Compressor	See Page 14 for Compressor Part Numbers			
9	Both	Valve, 1/2" Ball	022-09172-000	022-09172-000	022-09172-000	022-09172-000
10	Both	Valve, Relief (300 psi)	022-03056-000	022-03056-000	022-03056-000	022-03056-000
11	Both	Valve, Liquid Line Suction	022-10022-000	022-10022-000	022-09778-000	022-09778-000
			022-10022-000	022-09778-000	022-09778-000	022-09778-000
12	Both	Valve, Charging	022-09754-000	022-09754-000	022-09754-000	022-09754-000
13	Both	Valve, Relief (330 psi)	022-08870-000	022-08870-000	022-08870-000	022-08870-000
14	Both	Oil Separator, Single	075-44765-000	075-44765-000	075-44765-000	075-44765-000
14a	Both	Oil Separator (Left)	075-02711-000	075-02711-000	075-02711-000	075-02711-000
14b		Oil Separator (Right)	075-02712-000	075-02712-000	075-02712-000	075-02712-000

^s Recommended Spare Part

REFRIGERANT AND OIL PIPING COMPONENTS (CONT'D)

YCWS AND YCRS – STYLE SC – MODELS 0200-0240

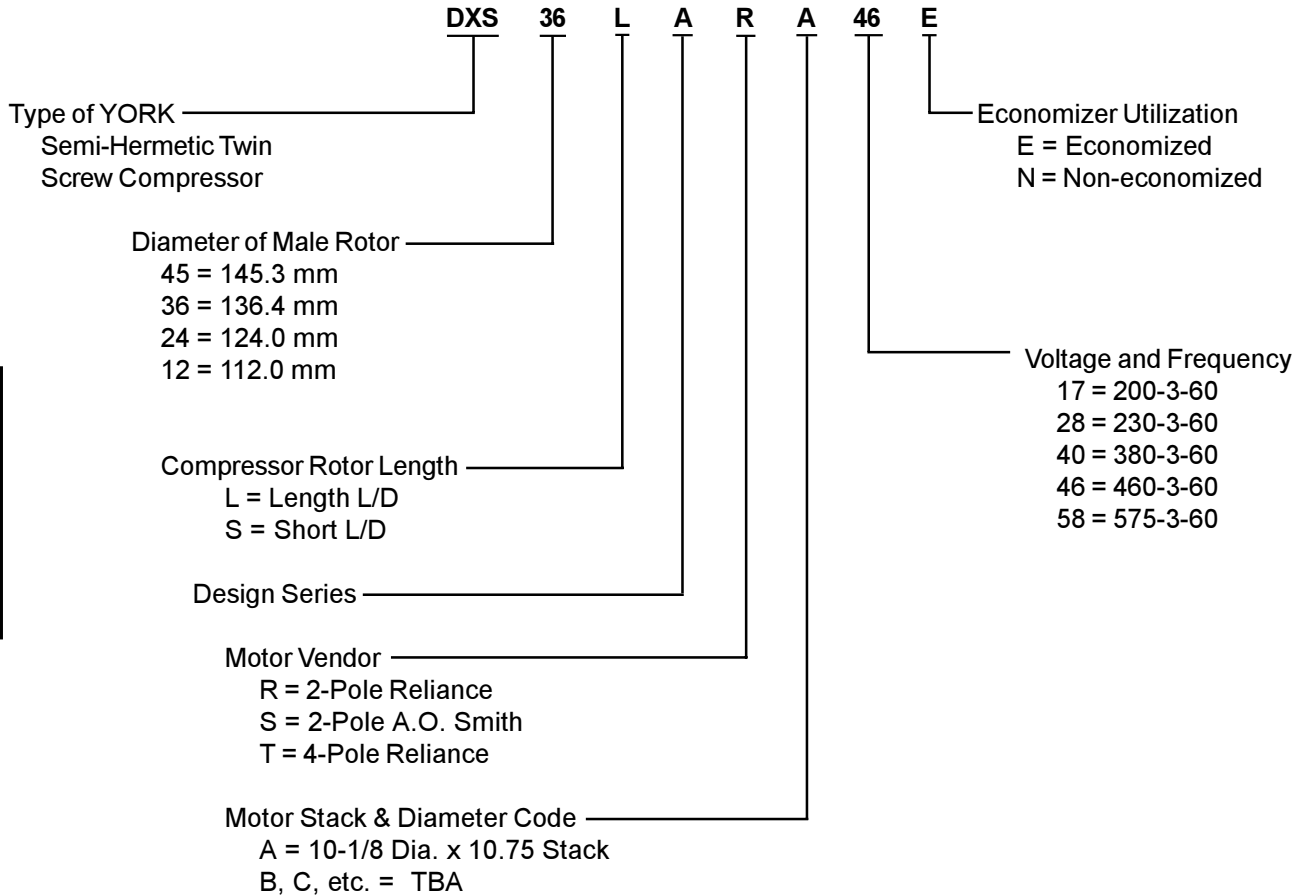
TABLE 3 (CONT'D) – REFRIGERANT PIPING AND OIL PIPING COMPONENTS
(SEE FIGS. 3 AND 4, PAGES 8 AND 9)

ITEM NO.	SYSTEM	DESCRIPTION	YCWS0200 & YCRS0200	YCWS0220 & YCRS0220	YCWS0240 & YCRS0240
1 ^s	1	Valve, Thermal Expansion	025-32906-000	025-32906-000	025-32906-000
	2		025-32906-000	025-32906-000	025-32906-000
2	Both	Shell, Dehydrator	026-21055-000	026-21055-000	026-16960-000
			026-21055-000	026-16960-000	026-16960-000
3 ^s	Both	Filter Cartridge, Drier	026-18328-000	026-18328-000	026-18328-000
4 ^s	1	Valve, Solenoid, Liq. Line	025-33281-000	025-33281-000	025-33281-000
	2		025-33281-000	025-33281-000	025-33281-000
5	1	Moisture Indicator, Body	026-32398-000	026-32399-000	026-32399-000
	2		026-32398-000	026-32399-000	026-32399-000
6	Both	Moisture Indicator, Sight Glass	026-32800-000	026-32800-000	026-32800-000
7	1	Solenoid Valve, Oil Line	022-00245-000	022-00245-000	022-00245-000
	2		022-00245-000	022-00245-000	022-00245-000
8	Both	Compressor	See Page 14 for Comp. Part Numbers		
9	Both	Valve, 1/2" Ball	022-09172-000	022-09172-000	022-09172-000
10	Both	Valve, Relief (300 psi)	022-03056-000	022-03056-000	022-03056-000
11	Both	Valve, Liquid Line Suction	022-09778-000	022-09779-000	022-09779-000
			022-09778-000	022-09778-000	022-09779-000
12	Both	Valve, Charging	022-09754-000	022-09754-000	022-09754-000
13	Both	Valve, Relief (330 psi)	022-08870-000	022-08870-000	022-08870-000
14	Both	Oil Separator, Single	075-44765-000	075-44765-000	075-44765-000
14a	Both	Oil Separator (Left)	075-02711-000	075-02711-000	075-02711-000
14b		Oil Separator (Right)	075-02712-000	075-02712-000	075-02712-000

^s Recommended Spare Part

COMPRESSOR IDENTIFICATION

COMPRESSOR NOMENCLATURE AND NAMEPLATE ENGINEERING DATA



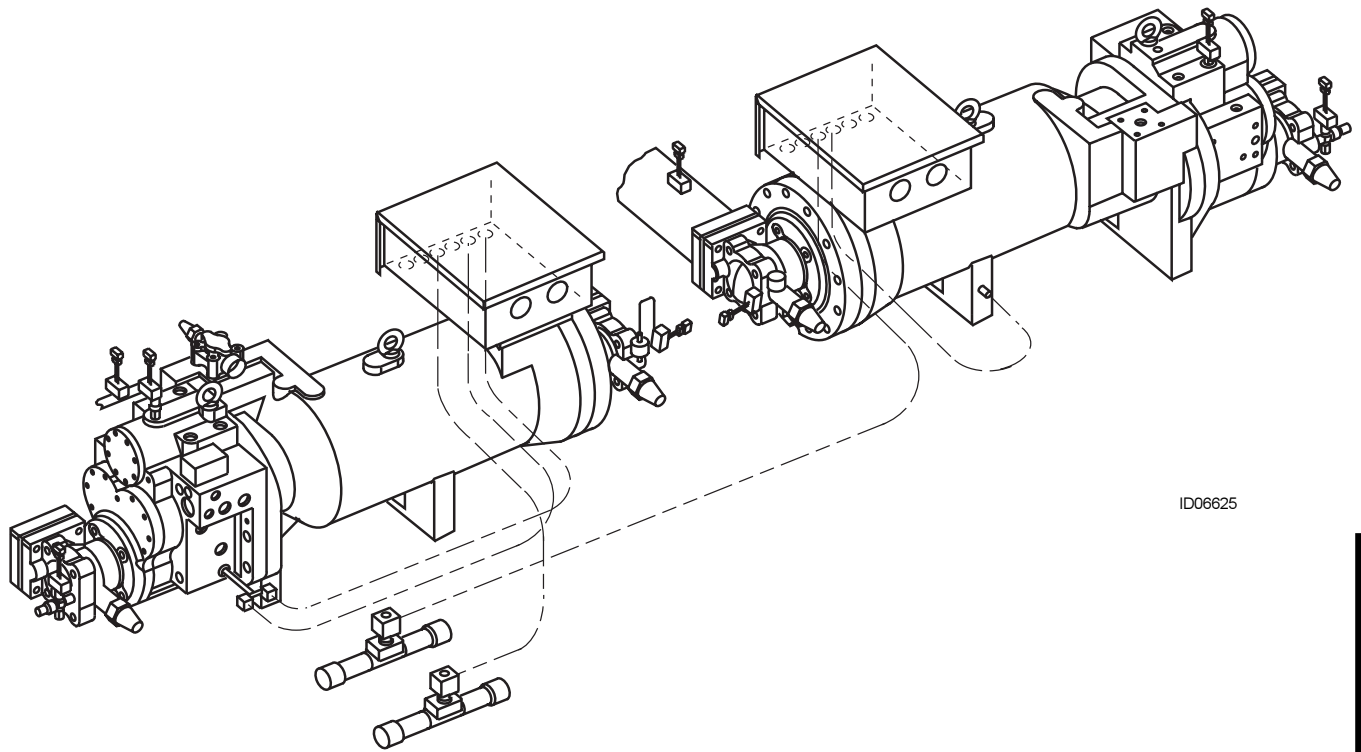
Compressor

YCWS COMPRESSOR WEIGHTS

MODEL	MM SIZE	WEIGHT (LBS)*	KG
DXS45	145	1310	594
DXS36	136	1250	567
DXS24	124	1175	533
DXS12	112	760	345

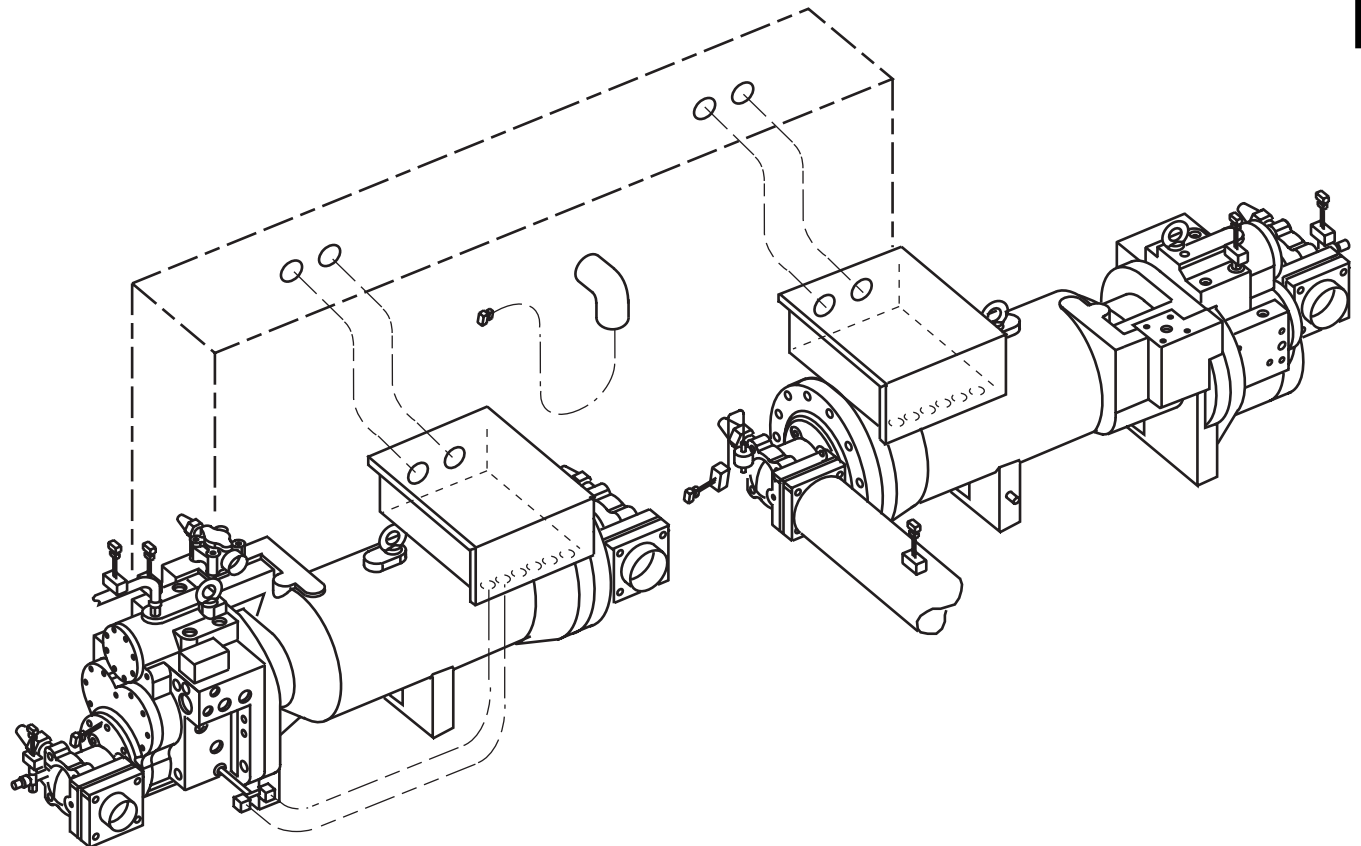
* LESS SERVICE VALVES

COMPRESSOR



ID06625

Compressor



ID06624

FIG. 5 – COMPRESSOR - YCWS0100 THROUGH YCWS0140 AND YCRS0100 THROUGH YCRS0140 SHOWN (REF. TABLE 4, PAGE 14)

COMPRESSOR (CONT'D)

TABLE 4 – COMPRESSOR PART NUMBERS (SEE FIG. 5, PAGE 13)

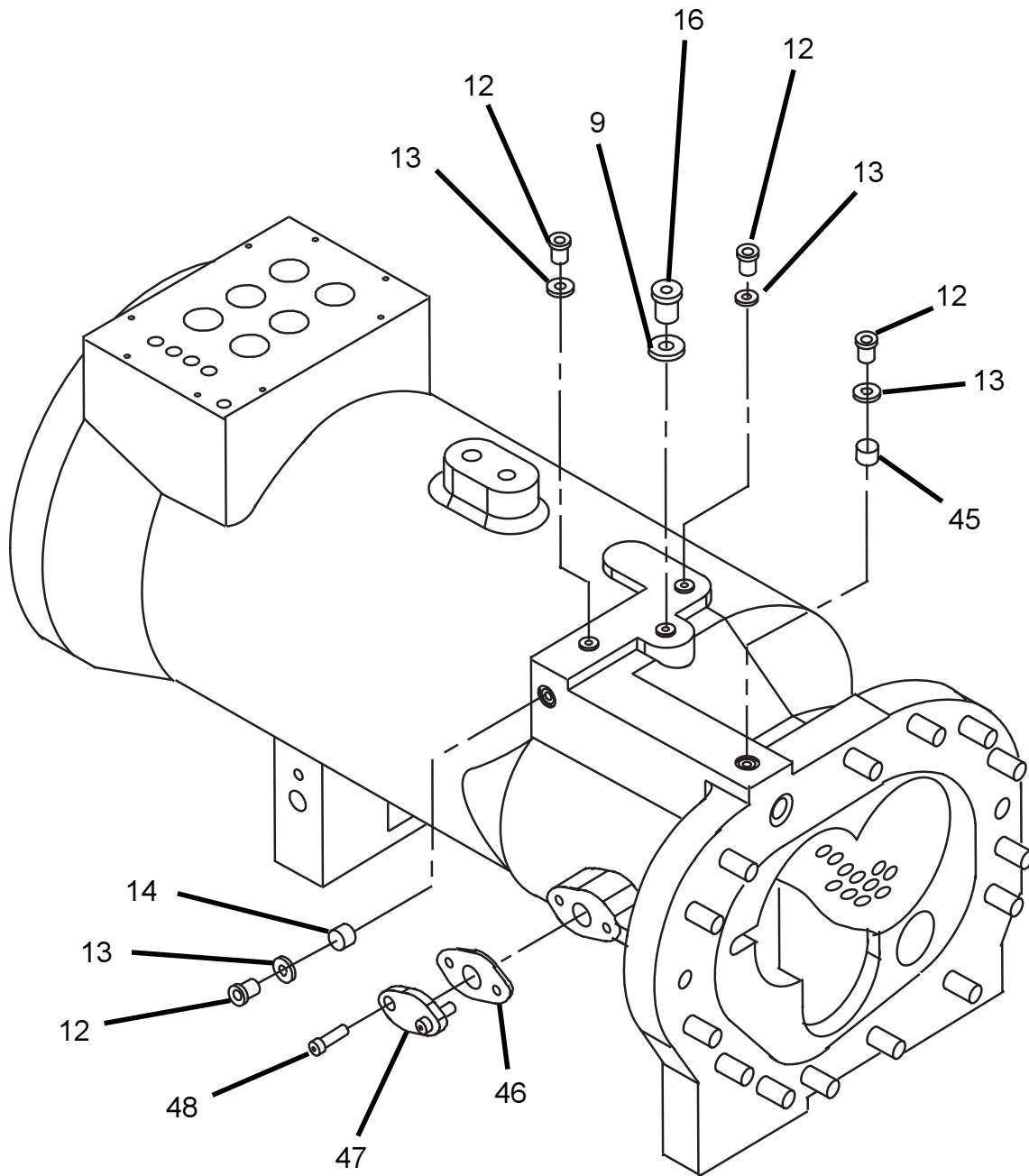
MODEL	VOLTAGE CODE	QTY		SYSTEM #1 COMPRESSOR		SYSTEM #2 COMPRESSOR	
		SYS 1	SYS 2	PART #	MODEL (MM)	PART #	MODEL (MM)
YCWS & YCRS 0100	-17	1	1	364-49096-212	DXS12 112mm	364-49096-212	DXS12 112mm
	-28	1	1	364-49096-213		364-49096-213	
	-40	1	1	364-49096-214		364-49096-214	
	-46	1	1	364-49096-215		364-49096-215	
	-58	1	1	364-49096-216		364-49096-216	
YCWS & YCRS 0120	-17	1	1	364-49095-212	DXS24 124mm	364-49096-212	DXS12 112mm
	-28	1	1	364-49095-213		364-49096-213	
	-40	1	1	364-49095-214		364-49096-214	
	-46	1	1	364-49095-215		364-49096-215	
	-58	1	1	364-49095-216		364-49096-216	
YCWS & YCRS 0140	-17	1	1	364-49095-212	DXS24 124mm	364-49095-212	DXS24 124mm
	-28	1	1	364-49095-213		364-49095-213	
	-40	1	1	364-49095-214		364-49095-214	
	-46	1	1	364-49095-215		364-49095-215	
	-58	1	1	364-49095-216		364-49095-216	
YCWS & YCRS 0180	-17	1	1	364-49095-212	DXS24 124mm	364-49093-212	DXS36 136mm
	-28	1	1	364-49095-213		364-49093-213	
	-40	1	1	364-49095-214		364-49093-214	
	-46	1	1	364-49095-215		364-49093-215	
	-58	1	1	364-49095-216		364-49093-216	
YCWS & YCRS 0200	-17	1	1	364-49093-212	DXS36 136mm	364-49093-212	DXS36 136mm
	-28	1	1	364-49093-213		364-49093-213	
	-40	1	1	364-49093-214		364-49093-214	
	-46	1	1	364-49093-215		364-49093-215	
	-58	1	1	364-49093-216		364-49093-216	
YCWS & YCRS 0220	-17	1	1	364-49093-212	DXS36 136mm	364-49094-212	DXS45 145mm
	-28	1	1	364-49093-213		364-49094-213	
	-40	1	1	364-49093-214		364-49094-214	
	-46	1	1	364-49093-215		364-49094-215	
	-58	1	1	364-49093-216		364-49094-216	
YCWS & YCRS 0240	-17	1	1	364-49094-212	DXS45 145mm	364-49094-212	DXS45 145mm
	-28	1	1	364-49094-213		364-49094-213	
	-40	1	1	364-49094-214		364-49094-214	
	-46	1	1	364-49094-215		364-49094-215	
	-58	1	1	364-49094-216		364-49094-216	

TABLE 5 – YCWS & YCRS OIL

ITEM	DESCRIPTION	MODEL YCWS0100 - YCWS0240 & YCRS0100 - YCRS0240 DXS COMP.
Oil ^s	OIL, TYPE 'L' (5 GAL.) - SYNTHETIC, R-22 AND 407C	011-00592-000
35 ^s	FILTER, OIL	026-35601-000
36 ^s	O-RING	028-13849-000

^s Recommended Spare Part

112MM COMPRESSOR COMPONENTS



Compressor

49096-3

FIG. 6 – 112MM DXS COMPRESSOR PARTIAL EXPLODED VIEW (REF. TABLE 6, PAGES 21 AND 22)

112MM COMPRESSOR COMPONENTS (CONT'D)

Compressor

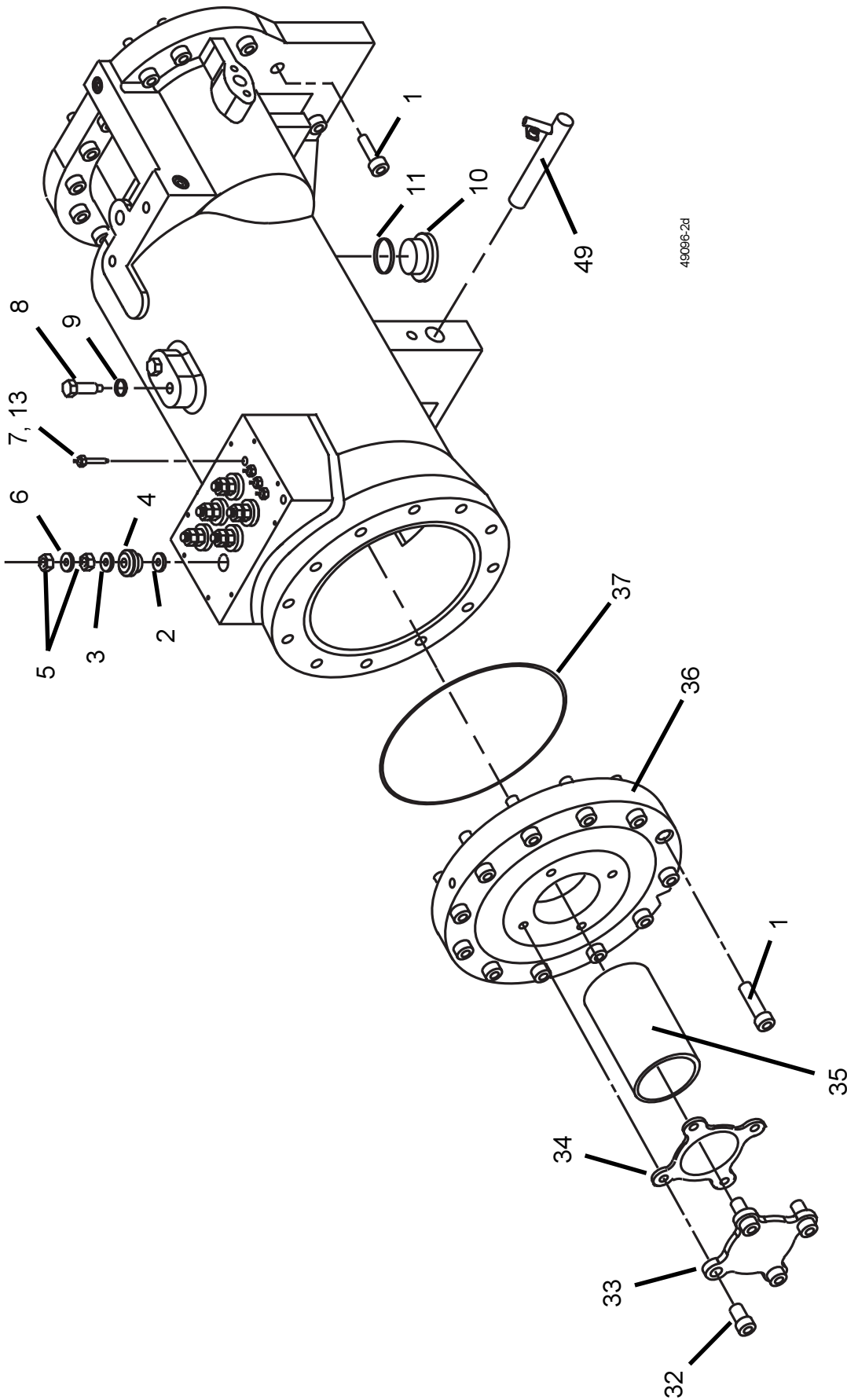


FIG. 7 – COMPRESSOR COMPONENTS - 112MM COMPRESSOR (REF. TABLE 6, PAGES 21 AND 22)

112MM COMPRESSOR COMPONENTS (CONT'D)

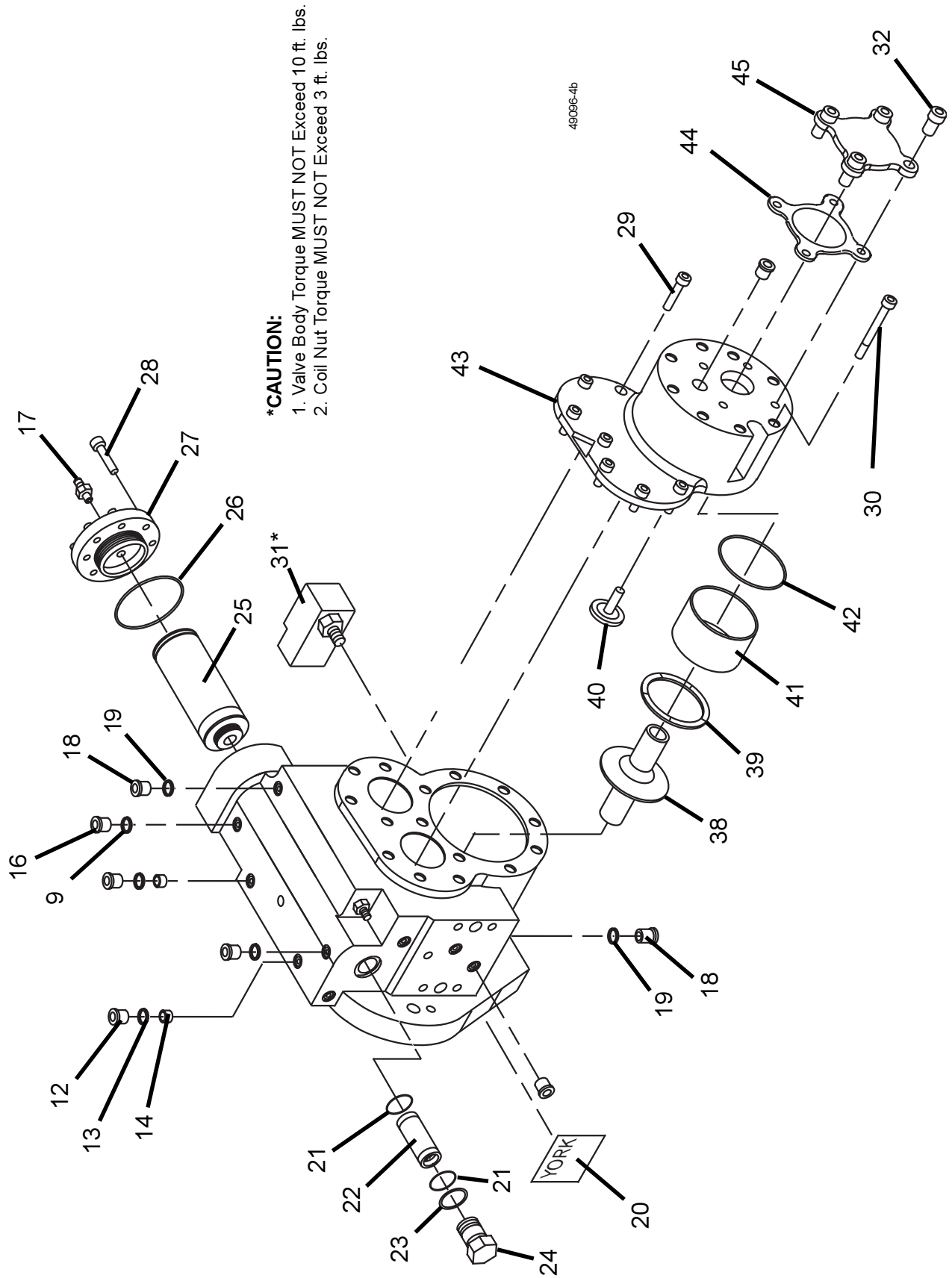
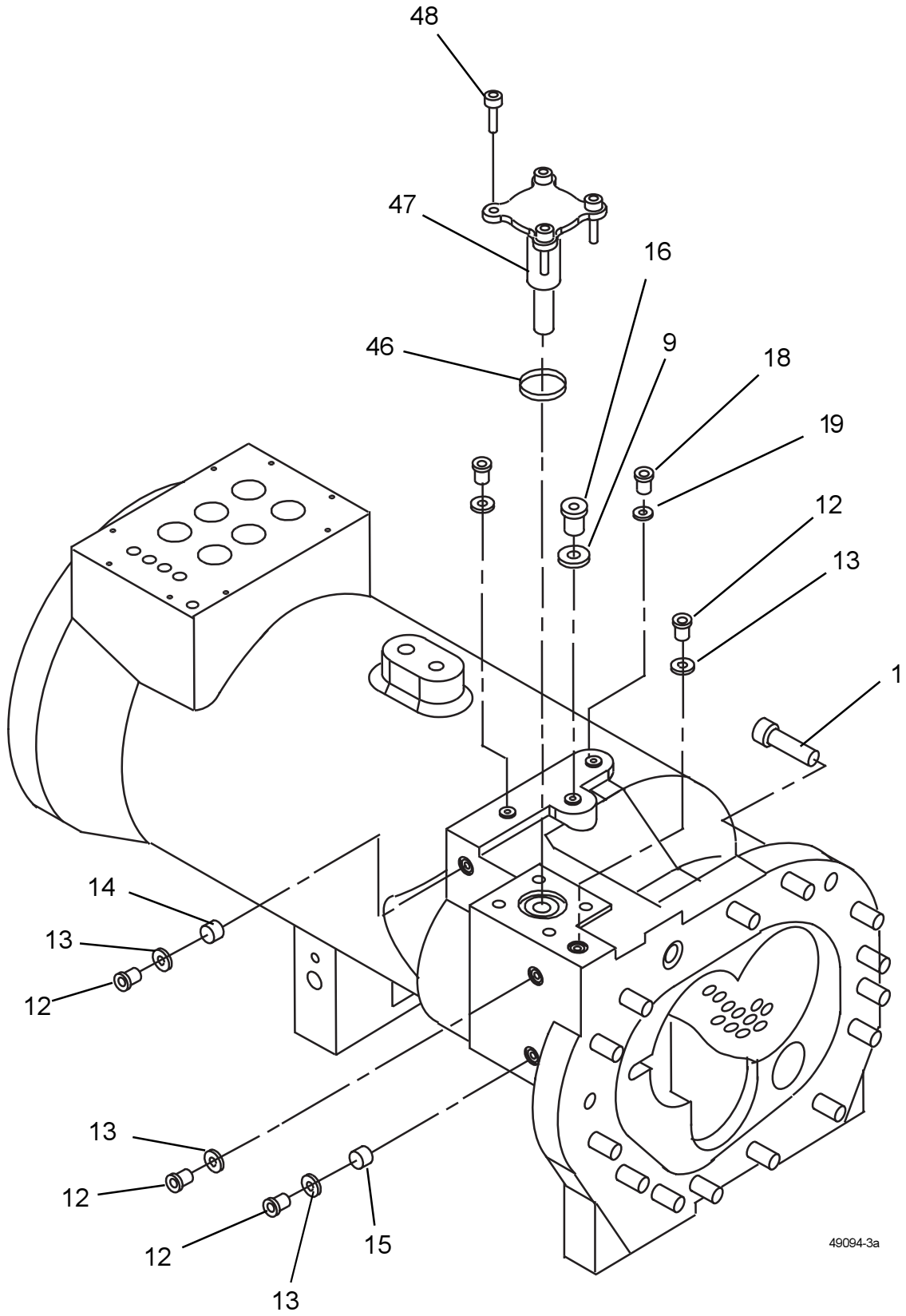


FIG. 8 - COMPRESSOR COMPONENTS - 112MM COMPRESSOR (REF. TABLE 6, PAGES 21 AND 22)

Compressor

124MM-145MM COMPRESSOR COMPONENTS



49094-3a

FIG. 9 – 124MM, 136MM & 145MM DXS COMPRESSOR PARTIAL EXPLODED VIEW (REF. TABLE 6, PAGES 21 AND 22)

Compressor

124MM-145MM COMPRESSOR COMPONENTS (CONT'D)

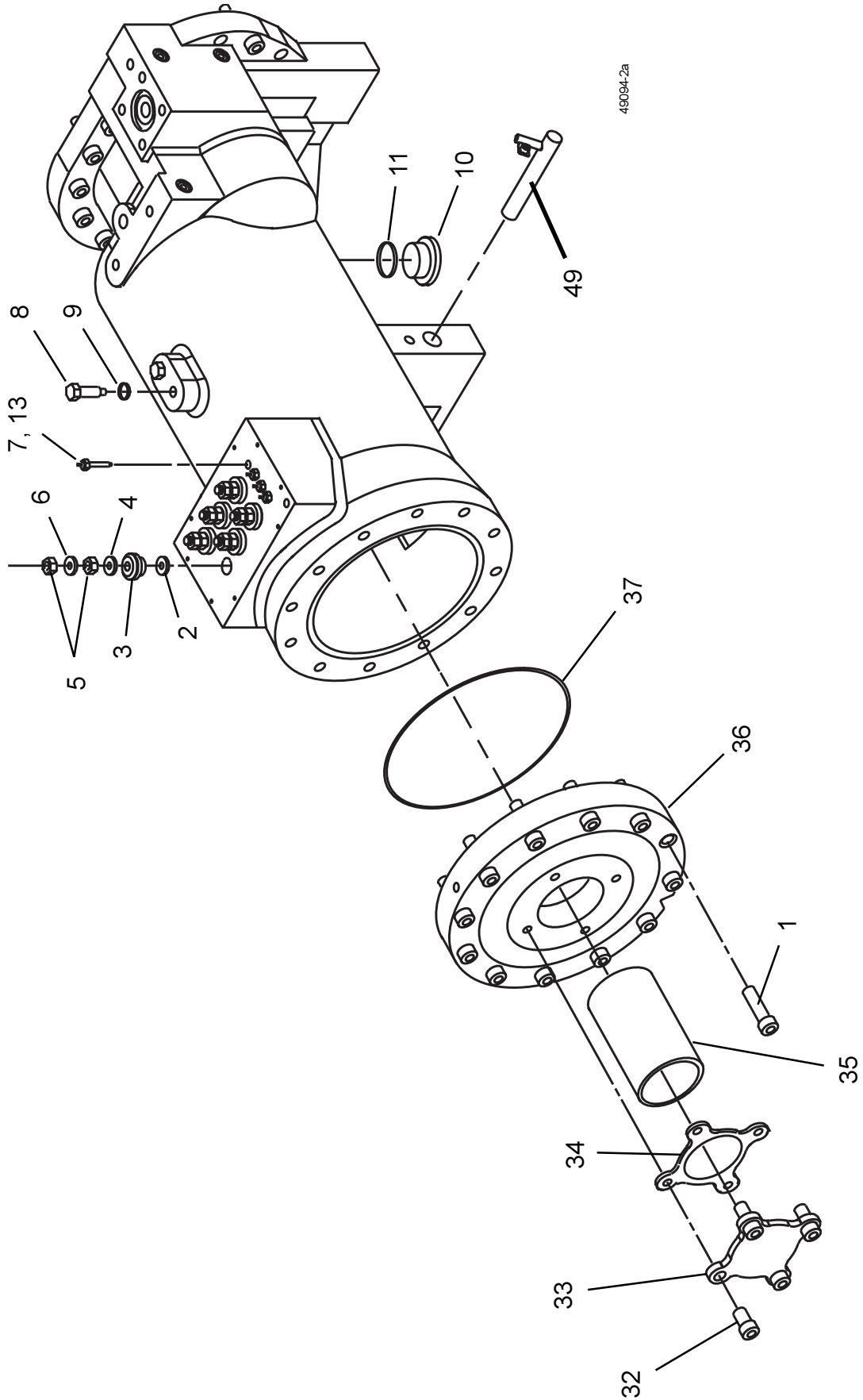


FIG. 10 – COMPRESSOR COMPONENTS - 124MM, 136MM & 145MM COMPRESSOR (REF. TABLE 6, PAGES 21 AND 22)

124MM-145MM COMPRESSOR COMPONENTS (CONT'D)

***CAUTION:**
 1. Valve Body Torque MUST NOT Exceed 10 ft. lbs.
 2. Coil Nut Torque MUST NOT Exceed 3 ft. lbs.

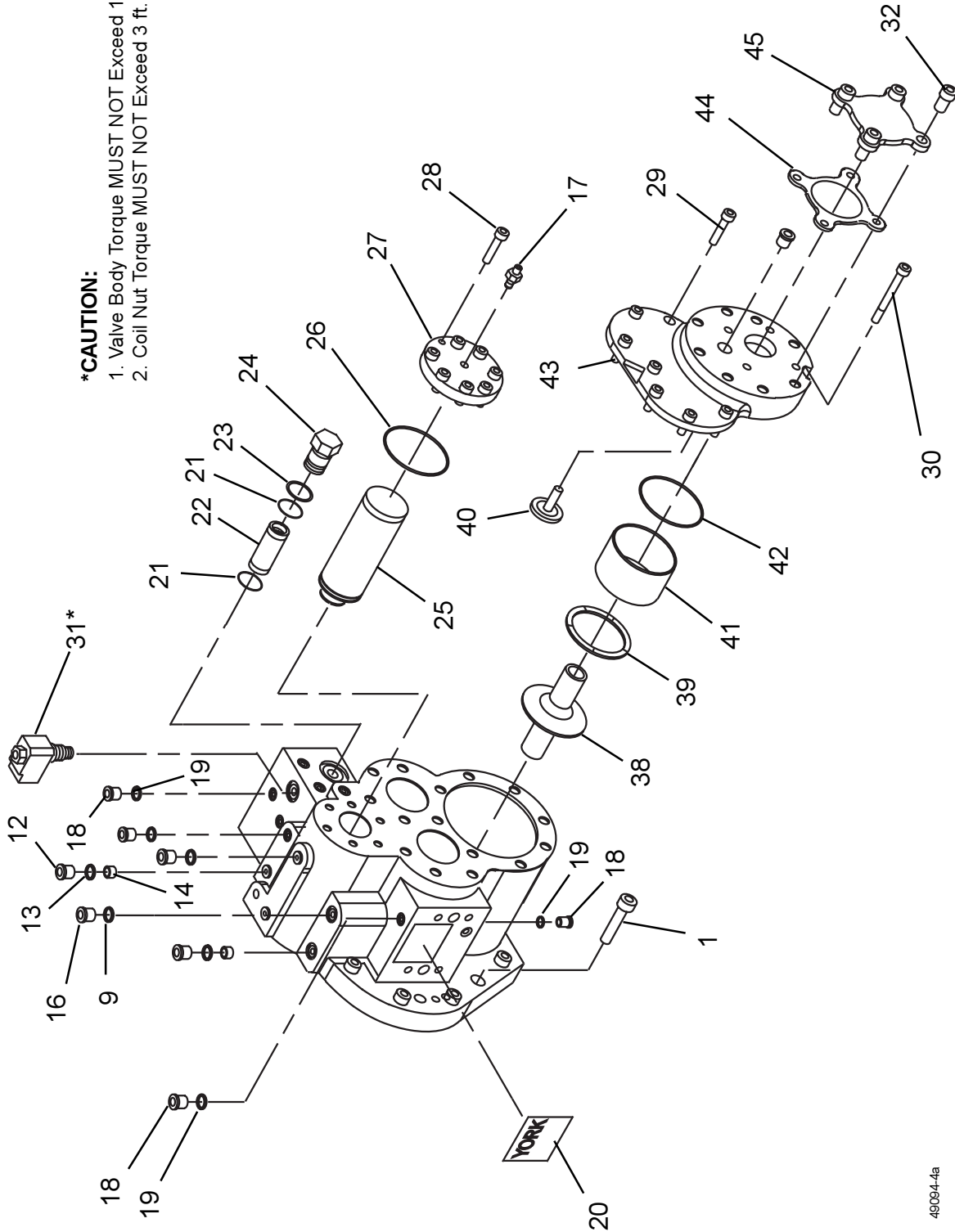


FIG. 11 – COMPRESSOR COMPONENTS - 124MM, 136MM & 145MM COMPRESSOR (REF. TABLE 6, PAGES 21 AND 22)

49094-4a

112MM, 124MM, 136MM AND 145MM COMPRESSOR COMPONENTS

TABLE 6 – 112MM, 124MM, 136MM & 145MM COMPRESSOR COMPONENTS
(SEE FIGS. 6 - 11, PAGES 15 - 20)

ITEM NO.	PART DESCRIPTION	PART NO. (QTY)
1	SCREW, SOCKET HD. CAP - M16 X 65MM LG.	021-19108-000 (26)
2	SEAL, TERMINAL	028-13946-000 (6)
3	INSULATOR, TOP	025-33201-000 (6)
4	WASHER, TERMINAL	021-19117-000 (6)
5	NUT, HEAVY HEX - 7/16" - 20UNF	021-19102-000 (12)
6	WASHER, LOCK - 7/16"	021-19619-000 (6)
7	THERMISTOR, 7/16" - 20UNF - 2A	025-33202-000 (4)
8	PIN, STATOR LOCKING (112MM)	064-49129-000
	PIN, STATOR LOCKING (124MM, 136MM & 145MM)	064-49954-000
9	O-RING 3 - 908	028-13856-000 (4)
10	PLUG, HOLLOW HEX - 1 7/8"	023-18926-000
11	O-RING 3 - 924	028-13865-000
12	PLUG - HOLLOW HEX 9/16" (112MM)	023-18922-000 (6)
	PLUG - HOLLOW HEX 9/16" (124MM, 136MM & 145MM)	023-18922-000 (8)
13	O-RING3 - 906 (112MM)	028-13855-000 (6)
	O-RING3 - 906 (124MM, 136MM & 145MM)	028-13855-000 (8)
14	PLUG- 0.032 ORIFICE	029-22716-000 (3)
15	PLUG - 0.093 ORIFICE (112MM)	029-22994-000 (1)
	PLUG - 0.093 ORIFICE (124MM, 136MM & 145MM)	029-22994-000 (2)
16	PLUG, HOLLOW HEX - 3/4" (112MM)	023-18923-000 (3)
	PLUG, HOLLOW HEX - 3/4" (124MM, 136MM, 145MM)	023-18923-000 (7)
17	VALVE, ACCESS 7/16"	022-09715-000
18	PLUG, HOLLOW HEX - 7/16" (112MM)	023-18921-000 (9)
	PLUG, HOLLOW HEX - 7/16" (124MM, 136MM, 145MM)	023-18921-000 (15)
19	O-RING 3 - 904 (112MM)	028-13854-000 (9)
	O-RING 3 - 904 (124MM, 136MM, 145MM)	028-13854-000 (15)
20	PLATE, DATA	029-22722-000
21	O-RING 2 - 023	028-13859-000 (2)
22	VALVE, OIL CONTROL	022-09710-000
23	O-RING 3 - 916	028-13857-000
24	PLUG, OIL RETURN VALVE	064-49135-000
25 ^s	ELEMENT, OIL FILTER	026-35601-000
26 ^s	O-RING 2 - 152	028-13849-000
27	COVER, OIL FILTER	064-49003-000
28	SCREW, SOCKET HD. CAP - M8 X 30MM LG.	021-19115-000 (8)
29	SCREW, SOCKET HD. CAP - M10 X 45MM LG. (112MM)	021-19617-000 (7)
	SCREW, SOCKET HD. CAP - M10 X 45MM LG. (124MM, 136MM, 145MM)	021-19112-000 (9)
30	SCREW, SOCKET HD. CAP - M10 X 60MM LG. (112MM)	021-19616-000 (8)
	SCREW, SOCKET HD. CAP - M10 X 60MM LG. (124MM, 136MM, 145MM)	021-19113-000 (8)
31 ^s	VALVE, CAPACITY CONTROL	025-33205-000
32	SCREW, SOCKET HD. CAP - M16 X 30MM LG. (112MM)	021-19118-000 (4)
	SCREW, SOCKET HD. CAP - M16 X 30MM LG. (124MM, 136MM, 145MM)	021-19118-000 (8)
33	PLATE, VALVE COVER (112MM, 124MM)	064-49008-000
	PLATE, VALVE COVER (136MM, 145MM)	064-49009-000
34	GASKET, 3" (112MM, 124MM)	028-13863-000
	GASKET, 3 1/2" (136MM, 145MM)	028-13864-000
35	STRAINER, SUCTION (112MM, 124MM)	026-35623-000
	STRAINER, SUCTION (136MM, 145MM)	026-35600-000

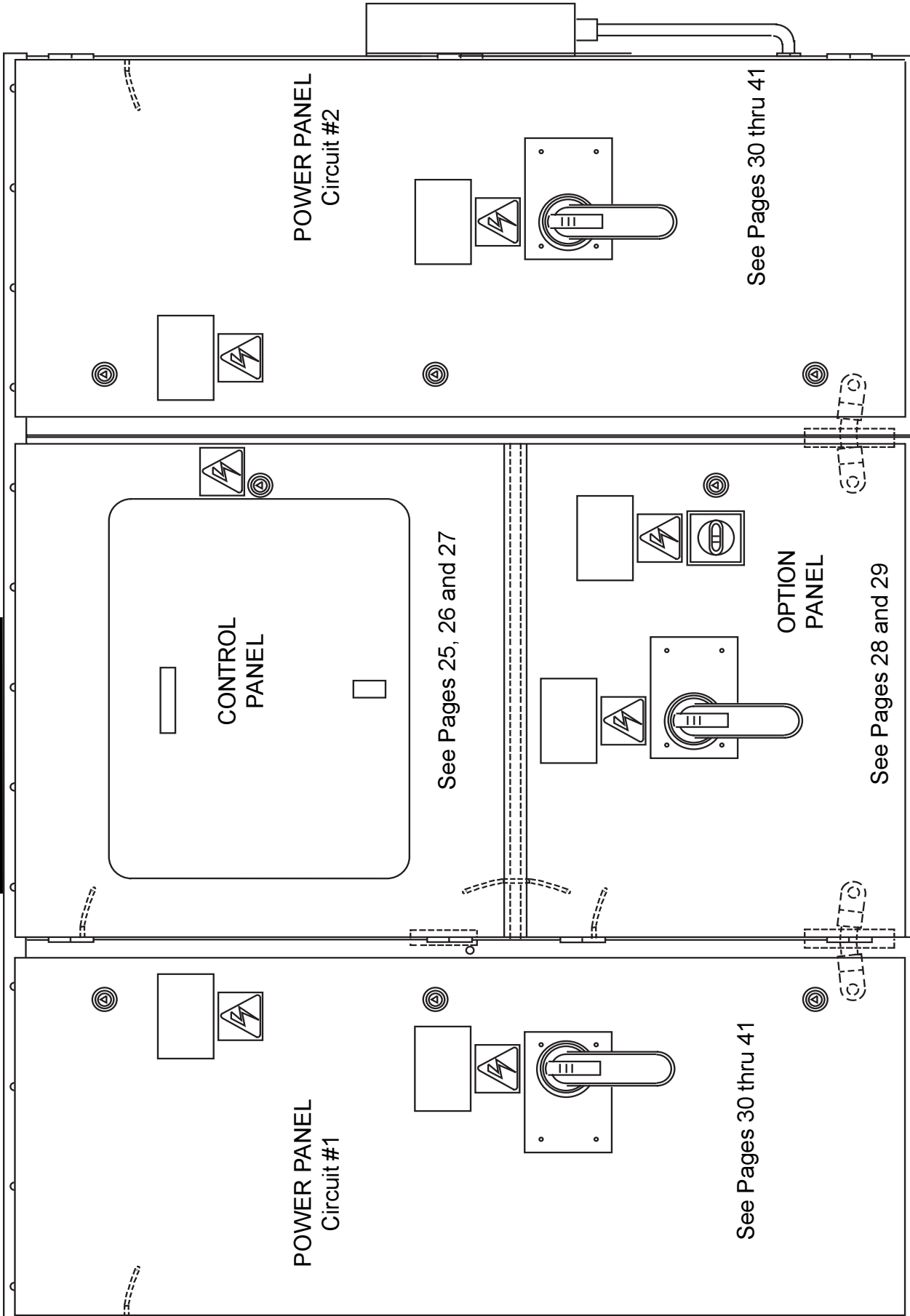
112MM, 124MM, 136MM & 145MM COMPRESSOR COMPONENTS (CONT'D)**TABLE 6 (CONT'D) – 112MM, 124MM, 136MM & 145MM COMPRESSOR ASSEMBLY**
(SEE FIGS. 6 - 11, PAGES 15 - 20)

ITEM NO.	PART DESCRIPTION	PART NUMBER (QTY)
36	COVER, SUCTION (124MM)	064-49437-000
	COVER, SUCTION (124MM)	064-49375-000
	COVER, SUCTION (136MM, 145MM)	064-49198-000
37	O-RING 2 - 276	028-13852-000 (2)
38	ORIFICE, MUFFLER (112MM)	064-49515-000
	ORIFICE, MUFFLER (124MM)	064-49518-000
	ORIFICE, MUFFLER (136MM, 145MM)	064-49516-000
39	SPRING, MUFFLER PRELOAD (112MM)	029-22912-000
	SPRING, MUFFLER PRELOAD (124MM)	029-22902-000
	SPRING, MUFFLER PRELOAD (136MM, 145MM)	029-22904-000
40	BUTTON, CHECK VALVE (112MM)	064-49507-000
	BUTTON, CHECK VALVE (124MM)	064-49521-000
	BUTTON, CHECK VALVE (136MM)	064-49517-000
	BUTTON, CHECK VALVE (145MM)	064-49504-000
41	SPACER, MUFFLER (112MM)	064-49514-000
	SPACER, MUFFLER (124MM)	064-49520-000
	SPACER, MUFFLER (136MM, 145MM)	064-49513-000
42	O-RING 2 - 155 (112MM)	028-13962-000
	O-RING 2 - 158 (124MM)	028-13603-000
	O-RING 2 - 161 (136MM, 145MM)	028-13851-000
43	COVER, DISCHARGE (112MM)	064-49123-000
	COVER, DISCHARGE (124MM)	064-49126-000
	COVER, DISCHARGE (136MM)	064-48990-000
	COVER, DISCHARGE (145MM)	064-49005-000
44	GASKET, 2" (112MM)	028-13862-000
	GASKET, 2" (124MM)	028-13902-000
	GASKET, 3" (136MM, 145MM)	028-13863-000
45	PLATE, VALVE COVER (112MM)	064-49010-000
	PLATE, VALVE COVER (124MM)	064-49379-000
	PLATE, VALVE COVER (136MM, 145MM)	064-49008-000
46	GASKET, 7/8" (112MM)	028-13948-000
	O-RING 2 - 136 (124MM)	028-13863-000
	O-RING 2 - 139 (136MM, 145MM)	028-13963-000
47	PLATE, ECONOMIZER (112MM)	064-49441-000
	PLUG, ECONOMIZER (124MM)	064-50004-000
	PLUG, ECONOMIZER (136MM, 145MM)	064-50003-000
48	SCREW, SOCKET HD. CAP - M8 X 25MM LG. (112MM)	021-19615-000
	SCREW, SOCKET HD. CAP - M12 X 25MM LG. (124MM, 136MM, 145MM)	021-30148-000
49	HEATER, 350 WATTS	025-32938-000

^s Recommended Spare Part

This page intentionally left blank

CONTROL PANEL, OPTION PANEL AND POWER PANEL



Control & Power Panel

FIG. 12 – CONTROL PANEL, OPTIONS PANEL AND POWER PANEL

CONTROL PANEL COMPONENTS (CONT'D)

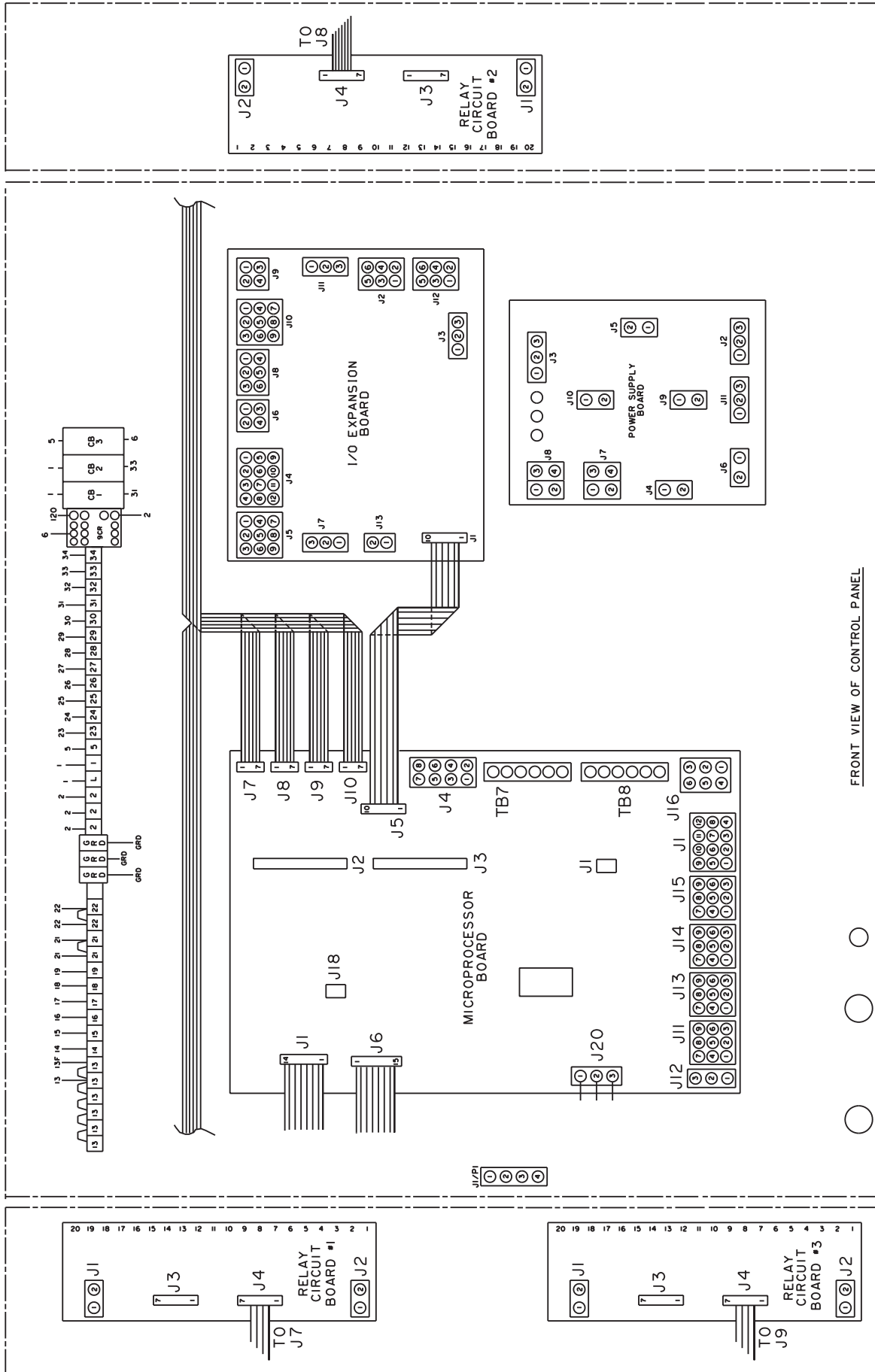


FIG. 13A – CONTROL PANEL COMPONENTS (REF. TABLE 7, PAGE 27)

CONTROL PANEL COMPONENTS (CONT'D)

TABLE 7 – CONTROL PANEL COMPONENTS (SEE FIGS. 13, 13A AND 13B, PAGES 25 - 27)

ITEM NO.	QUANTITY	DESCRIPTION	PART NO.	NOTE	
1	1	Door For Micro-Compartment	RAM-201704		
	1	Door for Options Compartment	RAM-201733		
^s 4A	1	Micro Processor Board	031-01095-002		
^s 4B	1	EPROM	031-01798-001		
^s 4C	1	I/O Expansion Board	031-01781-000		
^s 4D	1	Power Supply Board	031-01094-000		
4E	1	Ribbon Cable	031-01724-211		
4F	1	Ribbon Cable	071-02667-000		
4G	1	Ribbon Cable	071-02667-000		
4J	1	Ribbon Cable	071-02253-251		
4K	1	Ribbon Cable	071-02253-253		
4S	16	Terminal Block	025-34188-000		
4U	1	Display	031-02100-000		
4Z	1	Switch, On/Off	024-25517-000		
^s 11	3	Relay Circuit Board	031-01093-000		
16	3	Circuit Breaker, 6A	025-34438-000		
21	1	Keypad	024-30910-000		
40	Varies	Plug, 3 Pin	025-29185-000		See Fig. 13B
41	Varies	Plug, 6 Pin	025-28382-000		
42	Varies	Plug, 9 Pin	025-28383-000		
43	Varies	Plug, 12 Pin	025-28384-000		
44	Varies	Socket, Wire End	025-28386-000	Use with Plugs 40, 41, 42, 43	
45	1	Real Time Clock (includes battery)	031-00955-000		

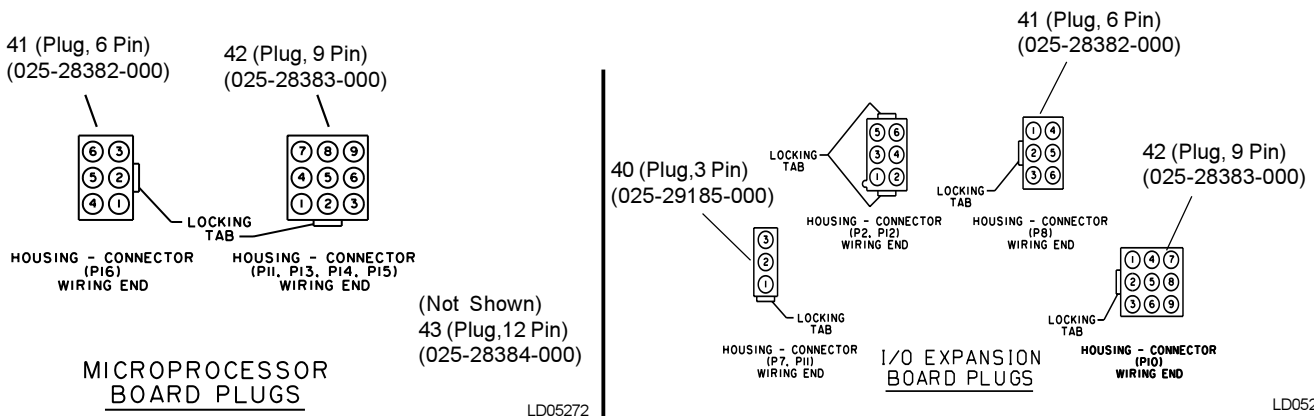
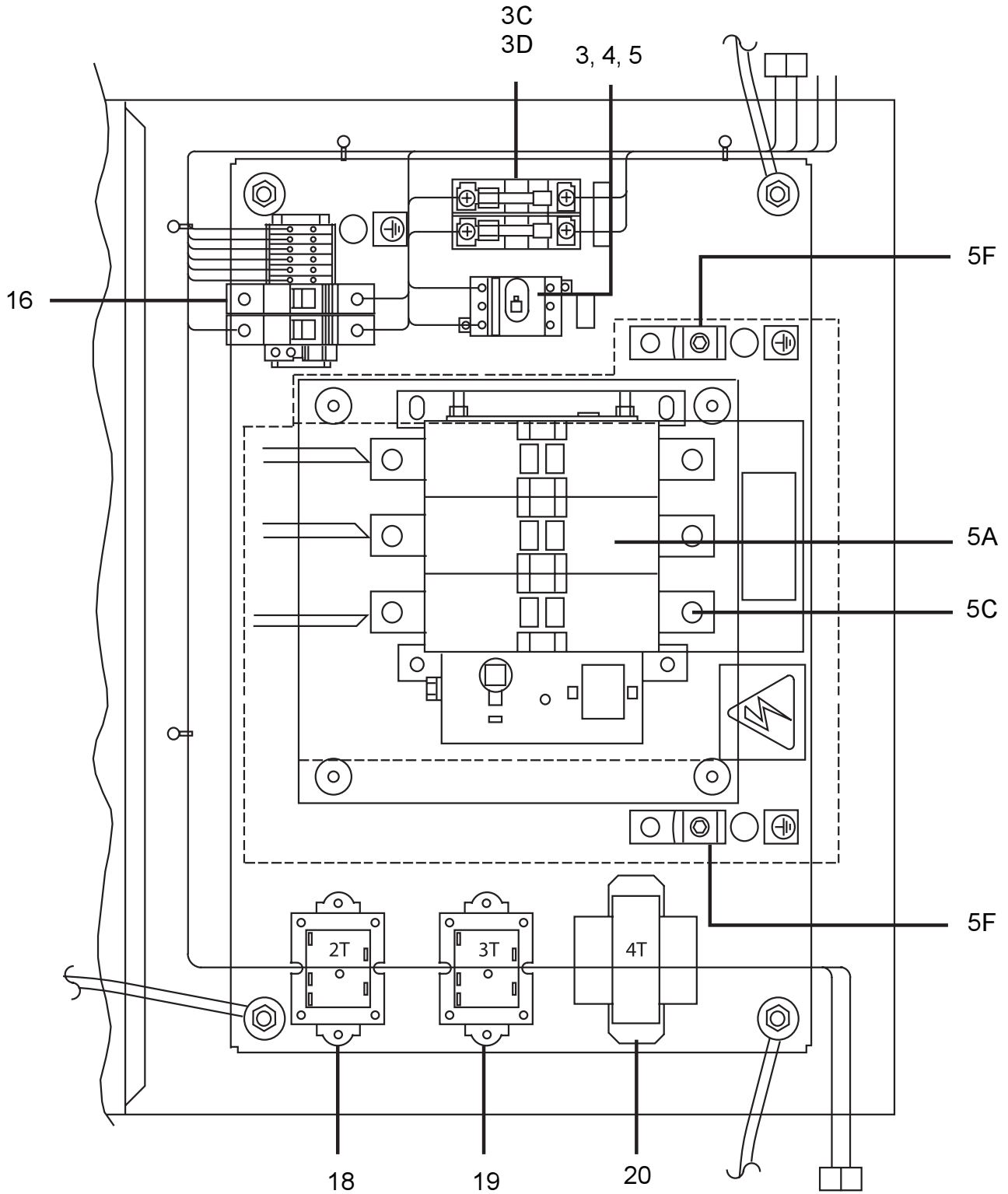


FIG. 13B – SENSOR HOUSING PART NUMBERS (REF. TABLE 7)

Control & Power Panel

OPTION PANEL COMPONENTS



Control & Power Panel

202515-1

FIG. 14 – OPTION PANEL COMPONENTS (REF. TABLE 8, PAGE 29)

OPTION PANEL COMPONENTS (CONT'D)

TABLE 8 – OPTION PANEL COMPONENTS (SEE FIGS. 14 AND 14A, PAGES 28 - 29)

ITEM NO.	QUANTITY	DESCRIPTION	PART NO.	NOTE
3	1	Switch, Control Power	024-31833-000	115V
3A	1	Control Transformer	025-34493-000	2KVA
3C	2	Fuse Block	025-34427-000	2P-30A
3D	2	Fuse	025-34433-000	(F7, F8) 600V
4	1	Handle	024-31633-000	Use with #3
5	1	Shaft	024-31832-000	
5A	1	NF Disconnect Switch (Single Point)	024-30963-000	S4H250DW
			024-30964-000	S5H400DW
			024-30965-000	S6H600DW
			024-31870-000	S3H225DW
			024-31888-000	S3H150DW
	1	Terminal Block (Single Point)	025-34405-000	UKH-240
			025-34408-000	UKH-150
			025-34454-000	UKH-95
025-34482-000	UKH-50			
5B	1	Operator Mechanism	024-31878-000	Handle and Shaft for NF Disc. Sw.
5C	1	Lug Kit (NF Disconnect Switch)	025-34414-000	250 to 500 KCMIL (600A)
			025-34418-000	6AWG to 350 KCMIL (250A)
			025-34420-000	3/0 to 250 KCMIL (400A)
			025-34479-000	2AWG to 4/0 (150A)
			025-34480-000	4AWG to 300 KCMIL (225A)
			025-34481-000	(600A)
5F	1	Ground Lug	025-34085-000	#4-3/0AWG
			025-34088-000	
			025-34089-000	#6-1/0AWG
16	2	Circuit Breaker, 115V	025-34438-000	S271-K6
18	1	Control Transformer, 4T (120/24V)	025-30889-000	
19	1	Control Transformer, 3T (208/24V)	025-18452-000	
20	1	Control Transformer, 2T	025-27911-000	

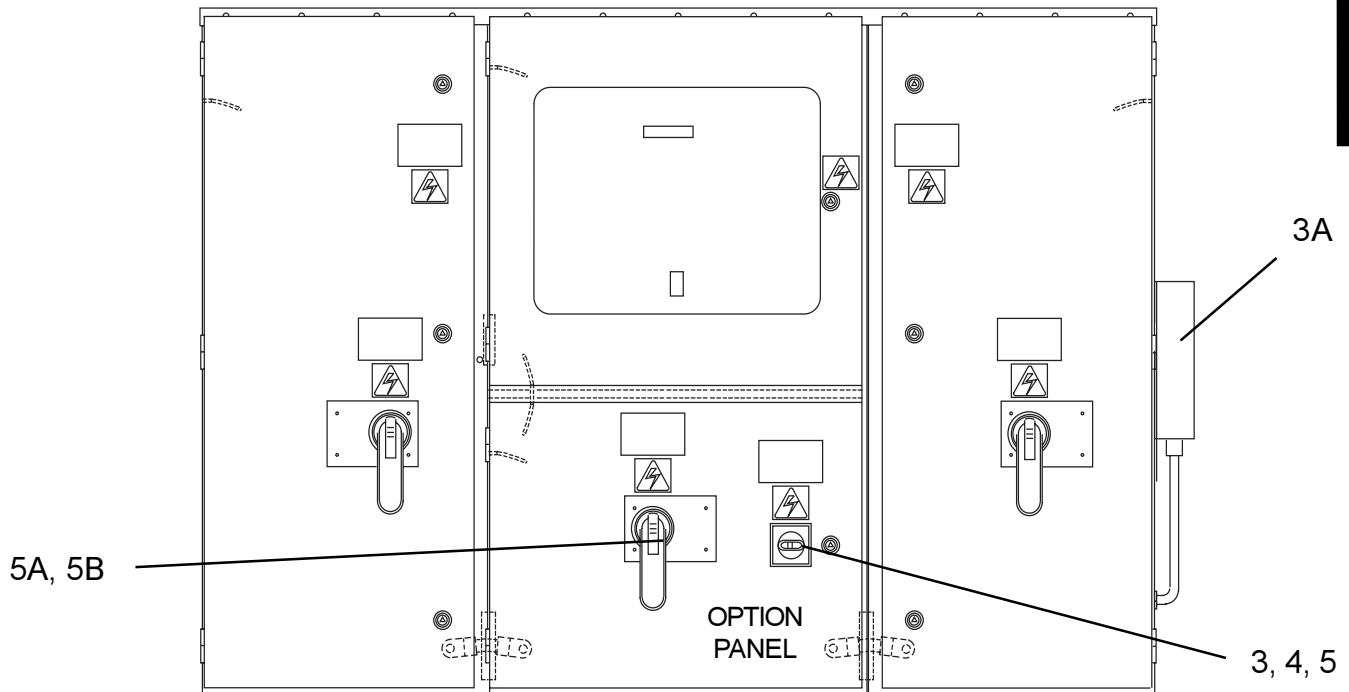


FIG. 14A – OPTION PANEL COMPONENTS (REF. TABLE 8, ABOVE AND SEE FIG. 14, PAGE 28)

POWER PANEL AND OPTIONS PANEL CONFIGURATION

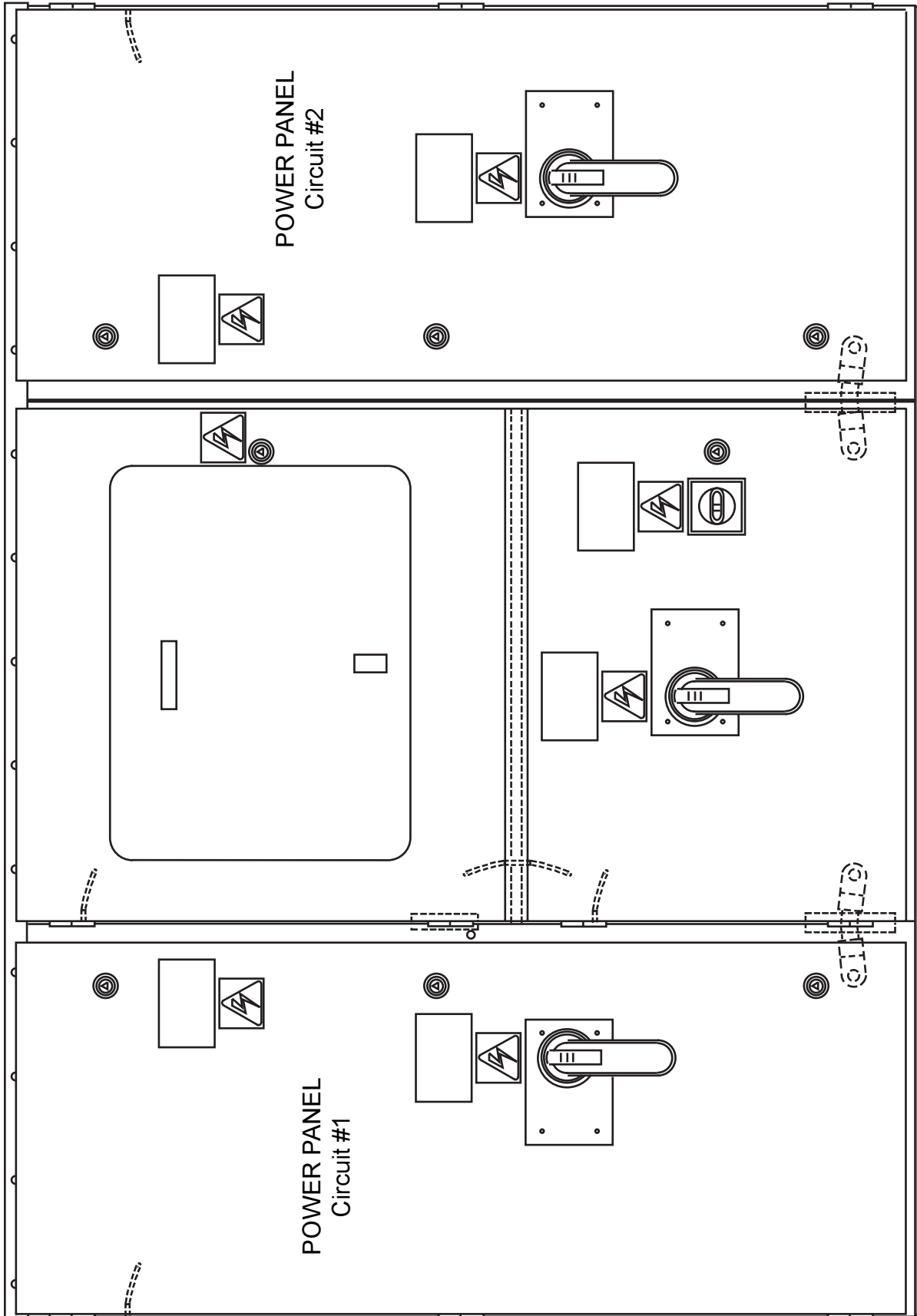
Power panels and option panels are offered in several configurations using three (3) major components:

1. TERMINAL BLOCKS -
2. CIRCUIT BREAKER SWITCH -
3. NF (Non Fused) DISCONNECT SWITCH -

The most basic chiller power wiring configuration uses terminal blocks in the power panel, and an option panel with no power wire termination hardware. See figures below. The model number pin number locations 16 and 17 would be X and X to reflect this basic combination. Identify pin number locations 16 and 17 to identify the chiller power wiring connections and hardware listed below.

PIN 16 & 17 LETTER CODE IDENTIFIERS	POWER PANEL AND OPTION PANEL CONFIGURATION
X X	Standard Power option
M D	MP Non-Fused Disconnect Switches
M B	MP supply w/ Separate System Circuit Breakers
S S	SP supply Terminal Block w/ Separate System Non-Fused Disconnect Switches
S B	SP supply Terminal Block w/ Separate System Circuit Breakers
D B	SP supply Non-Fused Disconnect Switches w/ Separate System Circuit Breakers
F B	SP supply Non-Fused Disconnect Switches w/ Separate System Fuses

POWER PANEL COMPONENTS

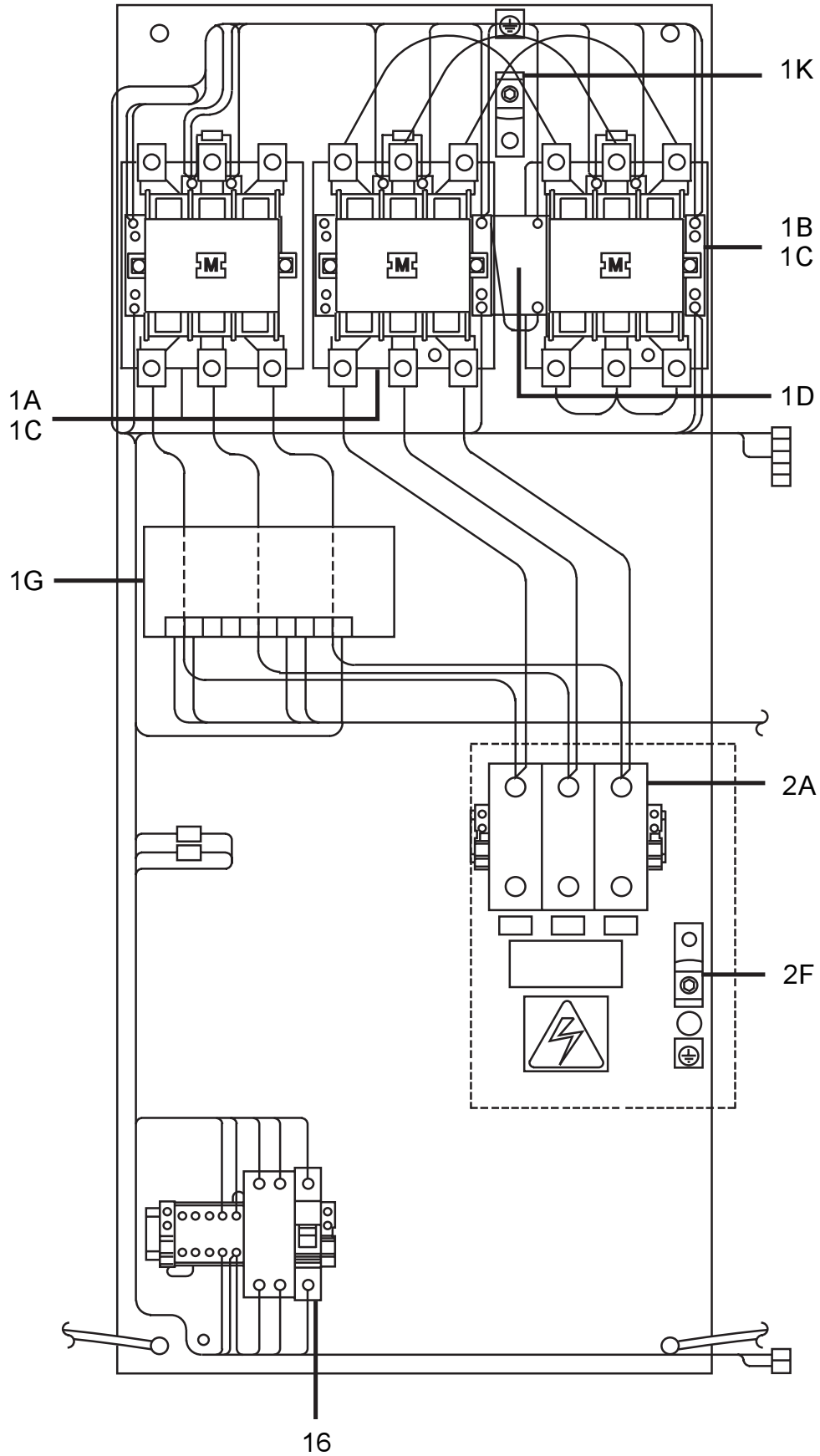


202512

FIG. 15 -- POWER PANELS (REF. TABLES 9 AND 10, PAGES 34-41)

Control & Power Panel

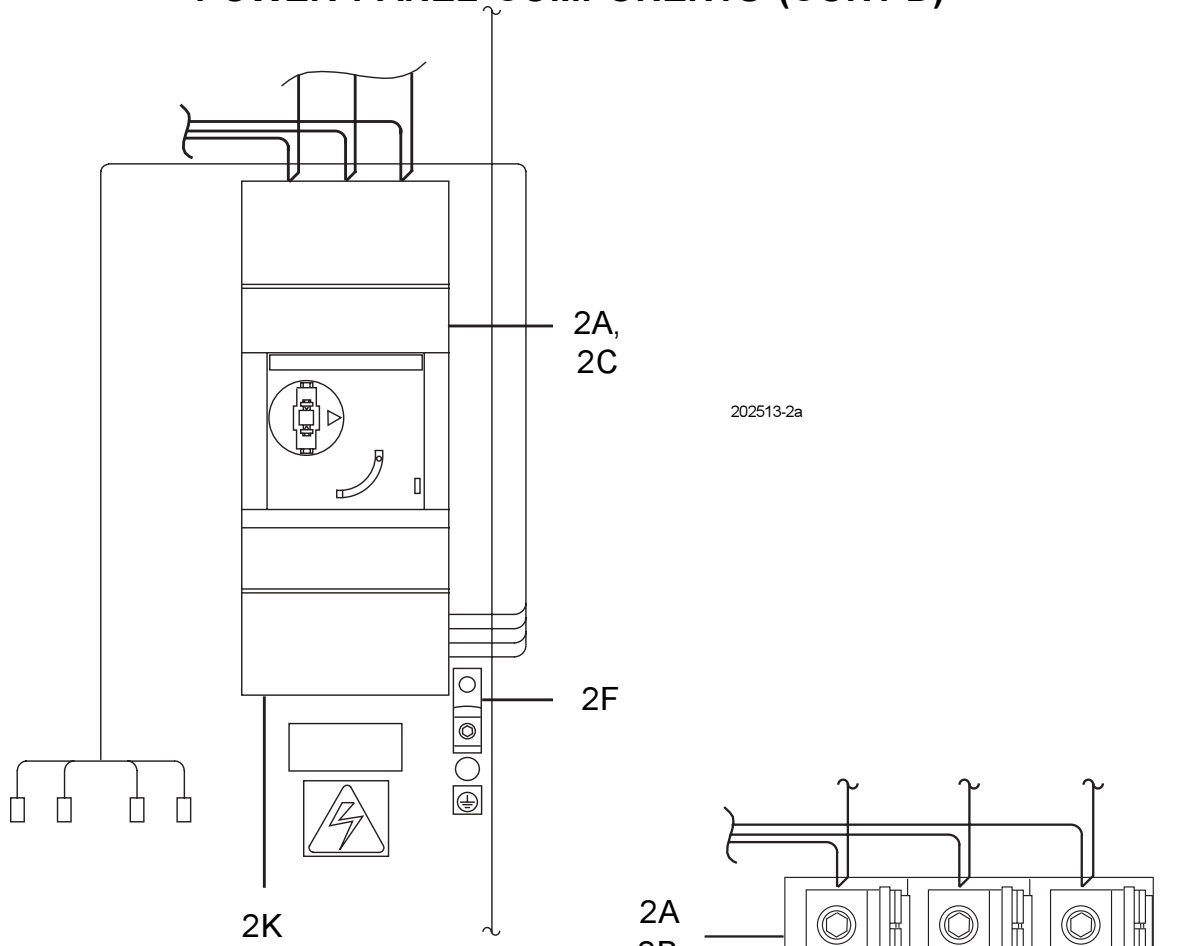
POWER PANEL COMPONENTS (CONT'D)



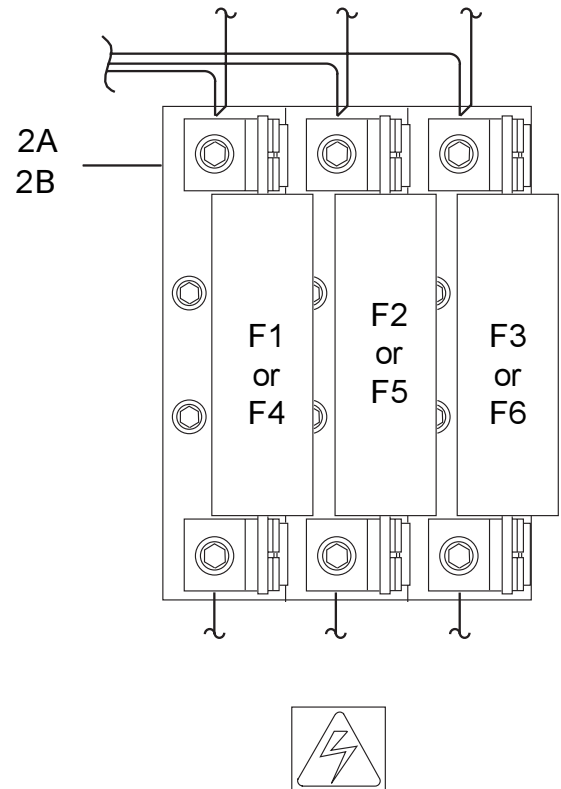
Control & Power Panel

FIG. 15A – POWER PANEL COMPONENTS (REF. TABLES 9 AND 10, PAGES 34-41)

POWER PANEL COMPONENTS (CONT'D)



CIRCUIT BREAKER or NON-FUSED
DISCONNECT SWITCH OPTION
SYS. 1 or SYS. 2



FUSE BLOCK OPTION
SYS. 1 or SYS. 2

FIG. 15B – POWER PANEL COMPONENTS (REF. TABLES 9 AND 10, PAGES 34-41)

YCWS POWER PANEL COMPONENTS

TABLE 9 – POWER PANEL COMPONENTS - YCWS0100 (SEE FIGS. 15, 15A AND 15B, PAGES 31-33)

ITEM NO.	QTY	DESCRIPTION	YCWS0100 -17	YCWS0100 -28	YCWS0100 -40	YCWS0100 -46	YCWS0100 -58
1A	2	Compressor Contactor (System 1)	024-26577-000	024-31639-000	024-31640-000	024-31636-000	024-31636-000
1B	1		024-26577-000	024-31602-000	024-31636-000	024-31636-000	024-31636-000
1A	2	Compressor Contactor (System 2)	024-26577-000	024-31639-000	024-31640-000	024-31636-000	024-31636-000
1B	1		024-26577-000	024-31602-000	024-31636-000	024-31636-000	024-31636-000
1C	6	Surge Suppressor	031-00808-000	031-02203-000	031-02203-000	031-02203-000	031-02203-000
1D	1	Mechanical Interlock	024-31600-000	024-31601-000	024-31601-000	024-31601-000	024-31601-000
	1		024-31600-000	025-31601-000	025-31601-000	024-31601-000	024-31601-000
1G	2	Motor Protector	024-30907-000	024-30907-000	024-30907-000	024-30907-000	024-30907-000
1K	2	Ground Lug, Cu	025-34089-000	025-34088-000	025-34088-000	025-34088-000	025-34088-000
2A	3	Terminal Block (Sys1)	025-34408-000	025-34454-000	025-34482-000	025-34482-000	025-34485-000
	3	Terminal Block (Sys2)	025-34408-000	025-34454-000	025-34482-000	025-34482-000	025-34485-000
	1	Circuit Breaker (Sys1)	025-34419-000	024-31819-000	024-31649-000	024-31844-000	024-31843-000
	1	Circuit Breaker (Sys2)	025-34419-000	024-31819-000	024-31649-000	024-31844-000	024-31843-000
	1	NF Disc. Switch (Sys1)	024-31870-000	024-31870-000	024-31843-000	N/A	N/A
	1	NF Disc. Switch (Sys2)	024-31870-000	024-31870-000	024-31843-000	N/A	N/A
	3	Fuse Block (Sys1)	025-37607-000	025-37607-000	025-37610-000	025-37610-000	025-37609-000
2B	3	Fuse Block (Sys2)	025-37607-000	025-37607-000	025-37610-000	025-37610-000	025-37609-000
	2	Fuse	025-38339-000	025-37687-000	025-37697-000	025-37685-000	025-37684-000
2C	2	Handle & Shaft (CB)	024-31878-000	024-31878-000	024-31878-000	024-31878-000	024-31878-000
	2	Handle & Shaft (NFDS)	024-31878-000	024-31878-000	024-31878-000	024-31878-000	024-31878-000
2K	2	Auxiliary C/B Switch	024-31646-000	024-31646-000	024-31646-000	024-31646-000	024-31646-000

^S Recommended Spare Part

TABLE 9 (CONT'D) – POWER PANEL COMPONENTS - YCWS0120 (SEE FIGS. 15, 15A AND 15B, PAGES 31-33)

ITEM NO.	QTY	DESCRIPTION	YCWS0120 -17	YCWS0120 -28	YCWS0120 -40	YCWS0120 -46	YCWS0120 -58
1A	2	Compressor Contactor (System 1)	024-31642-000	024-31639-000	024-31640-000	024-31636-000	024-31639-000
1B	1		024-26577-000	024-31602-000	024-31636-000	024-31636-000	024-31602-000
1A	2	Compressor Contactor (System 2)	024-26577-000	024-26577-000	024-31603-000	024-31640-000	024-31639-000
1B	1		024-26577-000	024-26577-000	024-31636-000	024-31636-000	024-31602-000
1C	6	Surge Suppressor	031-00808-000	031-02203-000	031-02203-000	031-02203-000	031-02203-000
1D	1	Mechanical Interlock	024-31600-000	024-31601-000	024-31601-000	024-31601-000	024-31601-000
	1		024-31600-000	025-31600-000	025-31601-000	024-31601-000	024-31601-000
1G	2	Motor Protector	024-30907-000	024-30907-000	024-30907-000	024-30907-000	024-30907-000
1K	1	Ground Lug, Cu	025-34088-000	025-34088-000	025-34088-000	025-34088-000	025-34088-000
	1		025-34089-000	025-34089-000	025-34088-000	025-34088-000	025-34088-000
2A	3	Terminal Block (Sys1)	025-34408-000	025-34454-000	025-34482-000	025-34482-000	025-34454-000
	3	Terminal Block (Sys2)	025-34405-000	025-34408-000	025-34454-000	025-34482-000	025-34454-000
	1	Circuit Breaker (Sys1)	025-34419-000	024-31819-000	024-31649-000	024-31844-000	024-31819-000
	1	Circuit Breaker (Sys2)	025-34424-000	024-31824-000	024-31851-000	024-31649-000	024-31819-000
	1	NF Disc. Switch (Sys1)	024-31870-000	024-31870-000	024-31888-000	024-31888-000	024-31870-000
	1	NF Disc. Switch (Sys2)	024-30963-000	024-31870-000	024-31888-000	024-31888-000	024-31870-000
	3	Fuse Block (Sys1)	025-37607-000	025-37607-000	025-37610-000	025-37610-000	025-37607-000
2B	3	Fuse Block (Sys2)	025-37607-000	025-37607-000	025-37610-000	025-37610-000	025-37607-000
	2	Fuse	025-38339-000	025-37687-000	025-37686-000	025-38339-000	025-37687-000
2C	2	Handle & Shaft (CB)	024-31878-000	024-31878-000	024-31878-000	024-31878-000	024-31878-000
2C	2	Handle & Shaft (NFDS)	024-31878-000	024-31878-000	024-31878-000	024-31878-000	024-31878-000
2K	2	Auxiliary C/B Switch	024-31646-000	024-31646-000	024-31646-000	024-31646-000	024-31646-000

^S Recommended Spare Part

YCWS POWER PANEL COMPONENTS (CONT'D)

TABLE 9 (CONT'D) – POWER PANEL COMPONENTS - YCWS0140 (SEE FIGS. 15, 15A AND 15B, PAGES 31-33)

ITEM NO.	QTY	DESCRIPTION	YCWS0140 -17	YCWS0140 -28	YCWS0140 -40	YCWS0140 -46	YCWS0140 -58
1A	2	Compressor Contactor (System 1)	024-31642-000	024-26577-000	024-31603-000	024-31640-000	024-31602-000
1B	1		024-26577-000	024-26577-000	024-31636-000	024-31636-000	024-31636-000
1A	2	Compressor Contactor (System 2)	024-31642-000	024-26577-000	024-31603-000	024-31640-000	024-31602-000
1B	1		024-26577-000	024-26577-000	024-31636-000	024-31636-000	024-31636-000
1C	6	Surge Suppressor	031-00808-000	031-00808-000	031-02203-000	031-02203-000	031-02203-000
1D	1	Mechanical Interlock	024-31637-000	024-31600-000	024-31601-000	024-31601-000	024-31601-000
	1		024-31637-000	025-31600-000	025-31601-000	024-31601-000	024-31601-000
1G	2	Motor Protector	024-30907-000	024-30907-000	024-30907-000	024-30907-000	024-30907-000
1K	2	Ground Lug, Cu	025-34089-000	025-34089-000	025-34088-000	025-34088-000	025-34088-000
2A	3	Terminal Block (Sys1)	025-34405-000	025-34408-000	025-34454-000	025-34482-000	025-34482-000
	3	Terminal Block (Sys2)	025-34405-000	025-34408-000	025-34454-000	025-34482-000	025-34482-000
	1	Circuit Breaker (Sys1)	025-34424-000	025-34424-000	024-31851-000	024-31649-000	024-31844-000
	1	Circuit Breaker (Sys2)	025-34424-000	025-34424-000	024-31851-000	024-31649-000	024-31844-000
	1	NF Disc. Switch (Sys1)	024-30963-000	024-31870-000	024-31888-000	024-31888-000	024-31843-000
	1	NF Disc. Switch (Sys2)	024-30963-000	024-31870-000	024-31888-000	024-31888-000	024-31843-000
	3	Fuse Block (Sys1)	025-37607-000	025-37607-000	025-37610-000	025-37610-000	025-37610-000
	3	Fuse Block (Sys2)	025-37607-000	025-37607-000	025-37610-000	025-37610-000	025-37610-000
2B	2	Fuse	025-38352-000	025-38339-000	025-37686-000	025-37697-000	025-37685-000
2C	2	Handle & Shaft (CB)	024-31878-000	024-31878-000	024-31878-000	024-31878-000	024-31878-000
	2	Handle & Shaft (NFDS)	024-31878-000	024-31878-000	024-31878-000	024-31878-000	024-31878-000
2K	2	Auxiliary C/B Switch	024-31646-000	024-31646-000	024-31646-000	024-31646-000	024-31646-000

^S Recommended Spare Part

TABLE 9 (CONT'D) – POWER PANEL COMPONENTS - YCWS0180 (SEE FIGS. 15, 15A AND 15B, PAGES 31-33)

ITEM NO.	QTY	DESCRIPTION	YCWS0180 -17	YCWS0180 -28	YCWS0180 -40	YCWS0180 -46	YCWS0180 -58
1A	2	Compressor Contactor (System 1)	024-31642-000	024-31638-000	024-31603-000	024-31640-000	024-31602-000
1B	1		024-26577-000	024-26577-000	024-31636-000	024-31636-000	024-31636-000
1A	2	Compressor Contactor (System 2)	024-31643-000	024-26577-000	024-31639-000	024-31603-000	024-31640-000
1B	1		024-31642-000	024-26577-000	024-31602-000	024-31636-000	024-31636-000
1C	6	Surge Suppressor	031-00808-000	031-00808-000	031-02203-000	031-02203-000	031-02203-000
1D	1	Mechanical Interlock	024-31637-000	024-31637-000	024-31601-000	024-31601-000	024-31601-000
	2		024-35604-000	025-31600-000	025-31601-000	024-31601-000	024-31601-000
1G	2	Motor Protector	024-30907-000	024-30907-000	024-30907-000	024-30907-000	024-30907-000
1K	1	Ground Lug, Cu	025-34089-000	025-34089-000	025-34088-000	025-34088-000	025-34088-000
	1		025-34089-000	025-34089-000	025-34088-000	025-34088-000	025-34088-000
2A	3	Terminal Block (Sys1)	025-34405-000	025-34408-000	025-34454-000	025-34482-000	025-34482-000
	3	Terminal Block (Sys2)	025-34405-000	025-34405-000	025-34454-000	025-34454-000	025-34482-000
	1	Circuit Breaker (Sys1)	025-34424-000	025-34424-000	024-31851-000	024-31649-000	024-31844-000
	1	Circuit Breaker (Sys2)	025-34424-000	025-34424-000	024-31819-000	024-31851-000	024-31649-000
	1	NF Disc. Switch (Sys1)	024-30963-000	024-31870-000	024-31888-000	024-31888-000	024-31843-000
	1	NF Disc. Switch (Sys2)	024-30964-000	024-30964-000	024-31870-000	024-31888-000	024-31888-000
	3	Fuse Block (Sys1)	025-37607-000	025-37607-000	025-37607-000	025-37610-000	025-37610-000
	3	Fuse Block (Sys2)	025-37607-000	025-37607-000	025-37607-000	025-37610-000	025-37610-000
2B	2	Fuse	025-38352-000	025-38339-000	025-37687-000	025-37686-000	025-37685-000
2C	2	Handle & Shaft (CB)	024-31878-000	024-31878-000	024-31878-000	024-31878-000	024-31878-000
	2	Handle & Shaft (NFDS)	024-31878-000	024-31878-000	024-31878-000	024-31878-000	024-31878-000
2K	2	Auxiliary C/B Switch	024-31646-000	024-31646-000	024-31646-000	024-31646-000	024-31646-000

^S Recommended Spare Part

YCWS POWER PANEL COMPONENTS (CONT'D)

TABLE 9 (CONT'D) – POWER PANEL COMPONENTS - YCWS0200 (SEE FIGS. 15, 15A AND 15B, PAGES 31-33)

ITEM NO.	QTY	DESCRIPTION	YCWS0200 -17	YCWS0200 -28	YCWS0200 -40	YCWS0200 -46	YCWS0200 -58
1A	2	Compressor Contactor (System 1)	024-31643-000	024-31638-000	024-31639-000	024-31603-000	024-31640-000
1B	1		024-31642-000	024-26577-000	024-31602-000	024-31636-000	024-31636-000
1A	2	Compressor Contactor (System 2)	024-31643-000	024-31638-000	024-31639-000	024-31603-000	024-31640-000
1B	1		024-31642-000	024-26577-000	024-31602-000	024-31636-000	024-31636-000
1C	6	Surge Suppressor	031-00808-000	031-00808-000	031-02203-000	031-02203-000	031-02203-000
1D	1	Mechanical Interlock	024-35604-000	024-31637-000	024-31601-000	024-31601-000	024-31601-000
	1		024-35604-000	025-31637-000	025-31601-000	024-31601-000	024-31601-000
1G	2	Motor Protector	024-30907-000	024-30907-000	024-30907-000	024-30907-000	024-30907-000
1K	2	Ground Lug, Cu	025-34089-000	025-34089-000	025-34088-000	025-34088-000	025-34088-000
2A	3	Terminal Block (Sys1)	025-34405-000	025-34405-000	025-34454-000	025-34454-000	025-34482-000
	3	Terminal Block (Sys2)	025-34405-000	025-34405-000	025-34454-000	025-34454-000	025-34482-000
	1	Circuit Breaker (Sys1)	025-34424-000	025-34424-000	024-31819-000	024-31851-000	024-31649-000
	1	Circuit Breaker (Sys2)	025-34424-000	025-34424-000	024-31819-000	024-31851-000	024-31649-000
	1	NF Disc. Switch (Sys1)	024-30964-000	024-30964-000	024-31870-000	024-31888-000	024-31888-000
	1	NF Disc. Switch (Sys2)	024-30964-000	024-30964-000	024-31870-000	024-31888-000	024-31888-000
	3	Fuse Block (Sys1)	025-37607-000	025-37607-000	025-37607-000	025-37610-000	025-37610-000
	3	Fuse Block (Sys2)	025-37607-000	025-37607-000	025-37607-000	025-37610-000	025-37610-000
2B	2	Fuse	025-38352-000	025-38352-000	025-37687-000	025-37686-000	025-37697-000
2C	1	Handle & Shaft (CB)	024-31878-000	024-31878-000	024-31878-000	024-31878-000	024-31878-000
	1	Handle & Shaft (NFDS)	024-31878-000	024-31878-000	024-31878-000	024-31878-000	024-31878-000
2K	2	Auxiliary C/B Switch	024-31646-000	024-31646-000	024-31646-000	024-31646-000	024-31646-000

^S Recommended Spare Part

TABLE 9 (CONT'D) – POWER PANEL COMPONENTS - YCWS0220 (SEE FIGS. 15, 15A AND 15B, PAGES 31-33)

ITEM NO.	QTY	DESCRIPTION	YCWS0220 -17	YCWS0220 -28	YCWS0220 -40	YCWS0220 -46	YCWS0220 -58
1A	2	Compressor Contactor (System 1)	024-31643-000	024-31638-000	024-31639-000	024-31603-000	024-31640-000
1B	1		024-31642-000	024-26577-000	024-31602-000	024-31636-000	024-31636-000
1A	2	Compressor Contactor (System 2)	024-31643-000	024-31638-000	024-26577-000	024-31639-000	024-31640-000
1B	1		024-31642-000	024-26577-000	024-26577-000	024-31636-000	024-31636-000
1C	6	Surge Suppressor	031-00808-000	031-00808-000	031-02203-000	031-02203-000	031-02203-000
1D	1	Mechanical Interlock	024-31601-000	024-31637-000	024-31601-000	024-31601-000	024-31601-000
	1		024-31601-000	025-31637-000	025-31600-000	024-31601-000	024-31601-000
1G	2	Motor Protector	024-30907-000	024-30907-000	024-30907-000	024-30907-000	024-30907-000
1K	1	Ground Lug, Cu	025-34089-000	025-34089-000	025-34088-000	025-34088-000	025-34088-000
	1		025-34089-000	025-34089-000	025-34089-000	025-34089-000	025-34088-000
2A	3	Terminal Block (Sys1)	025-34405-000	025-34405-000	025-34454-000	025-34454-000	025-34482-000
	3	Terminal Block (Sys2)	025-34454-000	025-34405-000	025-34454-000	025-34454-000	025-34454-000
	1	Circuit Breaker (Sys1)	025-34424-000	025-34424-000	024-31819-000	025-31851-000	024-31649-000
	1	Circuit Breaker (Sys2)	025-34425-000	025-34424-000	025-34419-000	025-31819-000	025-34419-000
	1	NF Disc. Switch (Sys1)	024-30964-000	024-30964-000	024-31870-000	024-31888-000	024-31888-000
	1	NF Disc. Switch (Sys2)	024-30964-000	024-30964-000	024-31870-000	024-31870-000	024-31888-000
	3	Fuse Block (Sys1)	025-37607-000	025-37607-000	025-37607-000	025-37607-000	025-37610-000
	3	Fuse Block (Sys2)	025-37607-000	025-37607-000	025-37607-000	025-37607-000	025-37610-000
2B	2	Fuse	025-38352-000	025-38352-000	025-37687-000	025-37687-000	025-37697-000
2C	1	Handle & Shaft (CB)	024-31878-000	024-31878-000	024-31878-000	024-31878-000	024-31878-000
	1	Handle & Shaft (NFDS)	024-31878-000	024-31878-000	024-31878-000	024-31878-000	024-31878-000
2K	2	Auxiliary C/B Switch	024-31646-000	024-31646-000	024-31646-000	024-31646-000	024-31646-000

^S Recommended Spare Part

YCWS POWER PANEL COMPONENTS (CONT'D)

TABLE 9 (CONT'D) – POWER PANEL COMPONENTS - YCWS0240 (SEE FIGS. 15, 15A AND 15B, PAGES 31-33)

ITEM NO.	QTY	DESCRIPTION	YCWS0240 -17	YCWS0240 -28	YCWS0240 -40	YCWS0240 -46	YCWS0240 -58
1A	2	Compressor Contactor (System 1)	024-31643-000	024-31638-000	024-26577-000	024-31639-000	024-31640-000
1B	1		024-31642-000	024-26577-000	024-26577-000	024-31636-000	024-31636-000
1A	2	Compressor Contactor (System 2)	024-31643-000	024-31638-000	024-26577-000	024-31639-000	024-31640-000
1B	1		024-31642-000	024-26577-000	024-26577-000	024-31636-000	024-31636-000
1C	6	Surge Suppressor	031-00808-000	031-00808-000	031-00808-000	031-02203-000	031-02203-000
1D	1	Mechanical Interlock	024-35604-000	024-31637-000	024-31600-000	024-31601-000	024-31601-000
	1		024-35604-000	025-31637-000	025-31600-000	024-31601-000	024-31601-000
1G	2	Motor Protector	024-30907-000	024-30907-000	024-30907-000	024-30907-000	024-30907-000
1K	2	Ground Lug, Cu	025-34089-000	025-34089-000	025-34089-000	025-34089-000	025-34088-000
2A	3	Terminal Block (Sys1)	025-34454-000	025-34405-000	025-34408-000	025-34454-000	025-34454-000
	3	Terminal Block (Sys2)	025-34454-000	025-34405-000	025-34408-000	025-34454-000	025-34454-000
	1	Circuit Breaker (Sys1)	025-34425-000	025-34425-000	025-34419-000	024-31819-000	025-34419-000
	1	Circuit Breaker (Sys2)	025-34425-000	025-34425-000	025-34419-000	024-31819-000	025-34419-000
	1	NF Disc. Switch (Sys1)	024-30964-000	024-30964-000	024-31870-000	024-31870-000	024-31888-000
	1	NF Disc. Switch (Sys2)	024-30964-000	024-30964-000	024-31870-000	024-31870-000	024-31888-000
	3	Fuse Block (Sys1)	025-38355-000	025-38355-000	025-37607-000	025-37607-000	025-37610-000
	3	Fuse Block (Sys2)	025-38355-000	025-38355-000	025-37607-000	025-37607-000	025-37610-000
2B	2	Fuse	025-38353-000	025-38354-000	025-38339-000	025-37687-000	025-37686-000
2C	1	Handle & Shaft (CB)	024-31878-000	024-31878-000	024-31878-000	024-31878-000	024-31878-000
	1	Handle & Shaft (NFDS)	024-31878-000	024-31878-000	024-31878-000	024-31878-000	024-31878-000
2K	2	Auxiliary C/B Switch	024-31646-000	024-31646-000	024-31646-000	024-31646-000	024-31646-000

^S Recommended Spare Part

YCRS POWER PANEL COMPONENTS

TABLE 10 – POWER PANEL COMPONENTS - YCRS0100 (SEE FIGS. 15, 15A AND 15B, PAGES 31-33)

ITEM NO.	QTY	DESCRIPTION	YCWS0100 -17	YCWS0100 -28	YCWS0100 -40	YCWS0100 -46	YCWS0100 -58
1A	2	Compressor Contactor (System 1)	024-26577-000	024-31639-000	024-31640-000	024-31602-000	024-31636-000
1B	1		024-26577-000	024-31602-000	024-31636-000	024-31636-000	024-31636-000
1A	2	Compressor Contactor (System 2)	024-26577-000	024-31639-000	024-31640-000	024-31602-000	024-31636-000
1B	1		024-26577-000	024-31602-000	024-31636-000	024-31636-000	024-31636-000
1C	6	Surge Suppressor	031-00808-000	031-02203-000	031-02203-000	031-02203-000	031-02203-000
1D	1	Mechanical Interlock	024-31600-000	024-31601-000	024-31601-000	024-31601-000	024-31601-000
	1		024-31600-000	025-31601-000	025-31601-000	024-31601-000	024-31601-000
1G	2	Motor Protector	024-30907-000	024-30907-000	024-30907-000	024-30907-000	024-30907-000
1K	2	Ground Lug, Cu	025-34089-000	025-34088-000	025-34088-000	025-34088-000	025-34088-000
2A	3	Terminal Block (Sys1)	025-34408-000	025-34454-000	025-34482-000	025-34482-000	025-34485-000
	3	Terminal Block (Sys2)	025-34408-000	025-34454-000	025-34482-000	025-34482-000	025-34485-000
	1	Circuit Breaker (Sys1)	025-34424-000	024-31819-000	024-31649-000	024-31649-000	024-31843-000
	1	Circuit Breaker (Sys2)	025-34424-000	024-31819-000	024-31649-000	024-31649-000	024-31843-000
	1	NF Disc. Switch (Sys1)	024-31870-000	024-31870-000	024-31888-000	N/A	N/A
	1	NF Disc. Switch (Sys2)	024-31870-000	024-31870-000	024-31888-000	N/A	N/A
	3	Fuse Block (Sys1)	025-37607-000	025-37607-000	025-37610-000	025-37610-000	025-37609-000
	3	Fuse Block (Sys2)	025-37607-000	025-37607-000	025-37610-000	025-37610-000	025-37609-000
2B	2	Fuse	025-38339-000	025-38339-000	025-37697-000	025-37697-000	025-37684-000
2C	2	Handle & Shaft (CB)	024-31878-000	024-31878-000	024-31878-000	024-31878-000	024-31878-000
	2	Handle & Shaft (NFDS)	024-31878-000	024-31878-000	024-31878-000	024-31878-000	024-31878-000
2K	2	Auxiliary C/B Switch	024-31646-000	024-31646-000	024-31646-000	024-31646-000	024-31646-000

^S Recommended Spare Part

TABLE 10 (CONT'D) – POWER PANEL COMPONENTS - YCRS0120 (SEE FIGS. 15, 15A AND 15B, PAGES 31-33)

ITEM NO.	QTY	DESCRIPTION	YCWS0120 -17	YCWS0120 -28	YCWS0120 -40	YCWS0120 -46	YCWS0120 -58
1A	2	Compressor Contactor (System 1)	024-26577-000	024-31639-000	024-31640-000	024-31602-000	024-31636-000
1B	1		024-26577-000	024-31602-000	024-31636-000	024-31636-000	024-31636-000
1A	2	Compressor Contactor (System 2)	024-31642-000	024-26577-000	024-31603-000	024-31640-000	024-31602-000
1B	1		024-26577-000	024-26577-000	024-31636-000	024-31636-000	024-31636-000
1C	6	Surge Suppressor	031-00808-000	031-02203-000	031-02203-000	031-02203-000	031-02203-000
1D	1	Mechanical Interlock	024-31600-000	024-31601-000	024-31601-000	024-31601-000	024-31601-000
	1		024-31637-000	025-31600-000	025-31601-000	024-31601-000	024-31601-000
1G	2	Motor Protector	024-30907-000	024-30907-000	024-30907-000	024-30907-000	024-30907-000
1K	1	Ground Lug, Cu	025-34088-000	025-34088-000	025-34088-000	025-34088-000	025-34088-000
	1		025-34089-000	025-34089-000	025-34088-000	025-34088-000	025-34085-000
2A	3	Terminal Block (Sys1)	025-34408-000	025-34454-000	025-34482-000	025-34482-000	025-34485-000
	3	Terminal Block (Sys2)	025-34405-000	025-34405-000	025-34454-000	025-34482-000	025-34482-000
	1	Circuit Breaker (Sys1)	025-34424-000	024-31819-000	024-31649-000	024-31649-000	024-31843-000
	1	Circuit Breaker (Sys2)	025-34424-000	024-31824-000	024-31819-000	024-31851-000	024-31649-000
	1	NF Disc. Switch (Sys1)	024-31870-000	024-31870-000	024-31888-000	024-31843-000	N/A
	1	NF Disc. Switch (Sys2)	024-30964-000	024-30963-000	024-31888-000	024-31888-000	N/A
	3	Fuse Block (Sys1)	025-37607-000	025-37607-000	025-37610-000	025-37610-000	025-37609-000
	3	Fuse Block (Sys2)	025-37607-000	025-37607-000	025-37610-000	025-37610-000	025-37610-000
2B	1	Fuse (Sys1)	025-38339-000	025-38339-000	025-37697-000	025-37697-000	025-37684-000
	1	Fuse (Sys2)	025-38352-000	025-38352-000	025-37686-000	025-37686-000	025-37697-000
2C	2	Handle & Shaft (CB)	024-31878-000	024-31878-000	024-31878-000	024-31878-000	024-31878-000
	2	Handle & Shaft (NFDS)	024-31878-000	024-31878-000	024-31878-000	024-31878-000	024-31878-000
2K	2	Auxiliary C/B Switch	024-31646-000	024-31646-000	024-31646-000	024-31646-000	024-31646-000

^S Recommended Spare Part

YCRS POWER PANEL COMPONENTS (CONT'D)

TABLE 10 (CONT'D) – POWER PANEL COMPONENTS - YCRS0140 (SEE FIGS. 15, 15A AND 15B, PAGES 31-33)

ITEM NO.	QTY	DESCRIPTION	YCWS0140 -17	YCWS0140 -28	YCWS0140 -40	YCWS0140 -46	YCWS0140 -58
1A	2	Compressor Contactor (System 1)	024-31642-000	024-26577-000	024-31603-000	024-31640-000	024-31602-000
1B	1		024-26577-000	024-26577-000	024-31636-000	024-31636-000	024-31636-000
1A	2	Compressor Contactor (System 2)	024-31642-000	024-26577-000	024-31603-000	024-31640-000	024-31602-000
1B	1		024-26577-000	024-26577-000	024-31636-000	024-31636-000	024-31636-000
1C	6	Surge Suppressor	031-00808-000	031-00808-000	031-02203-000	031-02203-000	031-02203-000
1D	1	Mechanical Interlock	024-31637-000	024-31600-000	024-31601-000	024-31601-000	024-31601-000
	1		024-31637-000	025-31600-000	025-31601-000	024-31601-000	024-31601-000
1G	2	Motor Protector	024-30907-000	024-30907-000	024-30907-000	024-30907-000	024-30907-000
1K	2	Ground Lug, Cu	025-34089-000	025-34089-000	025-34088-000	025-34088-000	025-34088-000
2A	3	Terminal Block (Sys1)	025-34405-000	025-34405-000	025-34454-000	025-34482-000	025-34482-000
	3	Terminal Block (Sys2)	025-34405-000	025-34405-000	025-34454-000	025-34482-000	025-34482-000
	1	Circuit Breaker (Sys1)	025-34424-000	025-34424-000	024-31819-000	024-31851-000	024-31649-000
	1	Circuit Breaker (Sys2)	025-34424-000	025-34424-000	024-31819-000	024-31851-000	024-31649-000
	1	NF Disc. Switch (Sys1)	024-30964-000	024-30963-000	024-31888-000	024-31888-000	024-31843-000
	1	NF Disc. Switch (Sys2)	024-30964-000	024-30963-000	024-31888-000	024-31888-000	024-31843-000
	3	Fuse Block (Sys1)	025-37607-000	025-37607-000	025-37610-000	025-37610-000	025-37610-000
	3	Fuse Block (Sys2)	025-37607-000	025-37607-000	025-37610-000	025-37610-000	025-37610-000
2B	2	Fuse	025-38352-000	025-38352-000	025-37686-000	025-37686-000	025-37697-000
2C	2	Handle & Shaft (CB)	024-31878-000	024-31878-000	024-31878-000	024-31878-000	024-31878-000
	2	Handle & Shaft (NFDS)	024-31878-000	024-31878-000	024-31878-000	024-31878-000	024-31878-000
2K	2	Auxiliary C/B Switch	024-31646-000	024-31646-000	024-31646-000	024-31646-000	024-31646-000

^S Recommended Spare Part

TABLE 10 (CONT'D) – POWER PANEL COMPONENTS - YCRS0180 (SEE FIGS. 15, 15A AND 15B, PAGES 31-33)

ITEM NO.	QTY	DESCRIPTION	YCWS0180 -17	YCWS0180 -28	YCWS0180 -40	YCWS0180 -46	YCWS0180 -58
1A	2	Compressor Contactor (System 1)	024-31642-000	024-26577-000	024-31603-000	024-31640-000	024-31602-000
1B	1		024-26577-000	024-26577-000	024-31636-000	024-31636-000	024-31636-000
1A	2	Compressor Contactor (System 2)	024-31643-000	024-31638-000	024-26577-000	024-31603-000	024-31640-000
1B	1		024-31642-000	024-26577-000	024-26577-000	024-31636-000	024-31636-000
1C	6	Surge Suppressor	031-00808-000	031-00808-000	031-02203-000	031-02203-000	031-02203-000
1D	1	Mechanical Interlock	024-31637-000	024-31600-000	024-31601-000	024-31601-000	024-31601-000
	1		024-35641-000	025-31637-000	025-31600-000	024-31601-000	024-31601-000
1G	2	Motor Protector	024-30907-000	024-30907-000	024-30907-000	024-30907-000	024-30907-000
1K	1	Ground Lug, Cu	025-34089-000	025-34089-000	025-34088-000	025-34088-000	025-34088-000
	1		025-34089-000	025-34089-000	025-34088-000	025-34088-000	025-34088-000
2A	3	Terminal Block (Sys1)	025-34405-000	025-34405-000	025-34454-000	025-34482-000	025-34482-000
	3	Terminal Block (Sys2)	025-34405-000	025-34405-000	025-34454-000	025-34454-000	025-34482-000
	1	Circuit Breaker (Sys1)	025-34424-000	024-31824-000	024-31819-000	024-31851-000	024-31649-000
	1	Circuit Breaker (Sys2)	025-34425-000	024-31824-000	025-34419-000	024-31819-000	025-34419-000
	1	NF Disc. Switch (Sys1)	024-30964-000	024-30963-000	024-31888-000	024-31888-000	024-31843-000
	1	NF Disc. Switch (Sys2)	024-30964-000	024-30964-000	024-31870-000	024-31888-000	024-31888-000
	3	Fuse Block (Sys1)	025-37607-000	025-37607-000	025-37610-000	025-37610-000	025-37610-000
	3	Fuse Block (Sys2)	025-37607-000	025-37607-000	025-37607-000	025-37610-000	025-37610-000
2B	1	Fuse (Sys1)	025-38353-000	025-38352-000	025-37686-000	025-37686-000	025-37697-000
	1	Fuse (Sys2)	025-38353-000	025-38352-000	025-38339-000	025-37686-000	025-37686-000
2C	2	Handle & Shaft (CB)	024-31878-000	024-31878-000	024-31878-000	024-31878-000	024-31878-000
	2	Handle & Shaft (NFDS)	024-31878-000	024-31878-000	024-31878-000	024-31878-000	024-31878-000
2K	2	Auxiliary C/B Switch	024-31646-000	024-31646-000	024-31646-000	024-31646-000	024-31646-000

^S Recommended Spare Part

YCRS POWER PANEL COMPONENTS (CONT'D)

TABLE 10 (CONT'D) – POWER PANEL COMPONENTS - YCRS0200 (SEE FIGS. 15, 15A AND 15B, PAGES 31-33)

ITEM NO.	QTY	DESCRIPTION	YCRS0200 -17	YCRS0200 -28	YCRS0200 -40	YCRS0200 -46	YCRS0200 -58
1A	2	Compressor Contactor (System 1)	024-31643-000	024-31638-000	024-26577-000	024-31603-000	024-31640-000
1B	1		024-31642-000	024-26577-000	024-26577-000	024-31636-000	024-31636-000
1A	2	Compressor Contactor (System 2)	024-31643-000	024-31638-000	024-26577-000	024-31603-000	024-31640-000
1B	1		024-31642-000	024-26577-000	024-26577-000	024-31636-000	024-31636-000
1C	6	Surge Suppressor	031-00808-000	031-00808-000	031-00808-000	031-02203-000	031-02203-000
1D	1	Mechanical Interlock	024-35641-000	024-31637-000	024-31600-000	024-31601-000	024-31601-000
	1		024-35641-000	025-31637-000	025-31600-000	024-31601-000	024-31601-000
1G	2	Motor Protector	024-30907-000	024-30907-000	024-30907-000	024-30907-000	024-30907-000
1K	2	Ground Lug, Cu	025-34089-000	025-34089-000	025-34089-000	025-34088-000	025-34088-000
2A	3	Terminal Block (Sys1)	025-34405-000	025-34405-000	025-34454-000	025-34454-000	025-34454-000
	3	Terminal Block (Sys2)	025-34405-000	025-34405-000	025-34454-000	025-34454-000	025-34454-000
	1	Circuit Breaker (Sys1)	025-34425-000	025-34424-000	025-34419-000	024-31819-000	025-34419-000
	1	Circuit Breaker (Sys2)	025-34425-000	025-34424-000	025-34419-000	024-31819-000	025-34419-000
	1	NF Disc. Switch (Sys1)	024-30964-000	024-30964-000	024-31870-000	024-31888-000	024-31888-000
	1	NF Disc. Switch (Sys2)	024-30964-000	024-30964-000	024-31870-000	024-31888-000	024-31888-000
	3	Fuse Block (Sys1)	025-38355-000	025-37607-000	025-37607-000	025-37610-000	025-37610-000
	3	Fuse Block (Sys2)	025-38355-000	025-37607-000	025-37607-000	025-37610-000	025-37610-000
2B	2	Fuse	025-38353-000	025-38352-000	025-38339-000	025-37686-000	025-37686-000
2C	2	Handle & Shaft (CB)	024-31878-000	024-31878-000	024-31878-000	024-31878-000	024-31878-000
	2	Handle & Shaft (NFDS)	024-31878-000	024-31878-000	024-31878-000	024-31878-000	024-31878-000
2K	2	Auxiliary C/B Switch	024-31646-000	024-31646-000	024-31646-000	024-31646-000	024-31646-000

^S Recommended Spare Part

TABLE 10 (CONT'D) – POWER PANEL COMPONENTS - YCRS0220 (SEE FIGS. 15, 15A AND 15B, PAGES 31-33)

ITEM NO.	QTY	DESCRIPTION	YCWS0220 -17	YCWS0220 -28	YCWS0220 -40	YCWS0220 -46	YCWS0220 -58
1A	2	Compressor Contactor (System 1)	024-31643-000	024-31638-000	024-26577-000	024-31603-000	024-31640-000
1B	1		024-31642-000	024-26577-000	024-26577-000	024-31636-000	024-31636-000
1A	2	Compressor Contactor (System 2)	024-31643-000	024-31643-000	024-26577-000	024-26577-000	024-31603-000
1B	1		024-31642-000	024-31642-000	024-26577-000	024-26577-000	024-31636-000
1C	6	Surge Suppressor	031-00808-000	031-00808-000	031-00808-000	031-02203-000	031-02203-000
1D	1	Mechanical Interlock	024-31641-000	024-31641-000	024-31601-000	024-31601-000	024-31601-000
	1		024-31641-000	025-31637-000	025-31600-000	024-31600-000	024-31601-000
1G	2	Motor Protector	024-30907-000	024-30907-000	024-30907-000	024-30907-000	024-30907-000
1K	1	Ground Lug, Cu	025-34089-000	025-34089-000	025-34089-000	025-34088-000	025-34088-000
	1		025-34089-000	025-34089-000	025-34089-000	025-34089-000	025-34088-000
2A	3	Terminal Block (Sys1)	025-34405-000	025-34405-000	025-34454-000	025-34454-000	025-34454-000
	3	Terminal Block (Sys2)	025-34408-000	025-34454-000	025-34408-000	025-34454-000	025-34454-000
	1	Circuit Breaker (Sys1)	025-34425-000	025-34425-000	025-34419-000	024-31819-000	025-34419-000
	1	Circuit Breaker (Sys2)	025-34425-000	025-34425-000	025-34424-000	025-34419-000	025-34419-000
	1	NF Disc. Switch (Sys1)	024-30964-000	024-30964-000	024-31870-000	024-31888-000	024-31888-000
	1	NF Disc. Switch (Sys2)	024-30964-000	024-30964-000	024-31870-000	024-31870-000	024-31888-000
	3	Fuse Block (Sys1)	025-38355-000	025-37607-000	025-37607-000	025-37610-000	025-37610-000
	3	Fuse Block (Sys2)	025-38355-000	025-38355-000	025-37607-000	025-37607-000	025-37610-000
2B	1	Fuse (Sys1)	025-38352-000	025-38352-000	025-38339-000	025-37686-000	025-37686-000
	1	Fuse (Sys2)	025-38352-000	025-38353-000	025-38352-000	025-38339-000	025-37686-000
2C	2	Handle & Shaft (CB)	024-31878-000	024-31878-000	024-31878-000	024-31878-000	024-31878-000
	2	Handle & Shaft (NFDS)	024-31878-000	024-31878-000	024-31878-000	024-31878-000	024-31878-000
2K	2	Auxiliary C/B Switch	024-31646-000	024-31646-000	024-31646-000	024-31646-000	024-31646-000

^S Recommended Spare Part

YCRS POWER PANEL COMPONENTS (CONT'D)

TABLE 10 (CONT'D) – POWER PANEL COMPONENTS - YCRS0240 (SEE FIGS. 15, 15A AND 15B, PAGES 31-33)

ITEM NO.	QTY	DESCRIPTION	YCWS0240 -17	YCWS0240 -28	YCWS0240 -40	YCWS0240 -46	YCWS0240 -58
1A	2	Compressor Contactor (System 1)	024-31643-000	024-31643-000	024-26577-000	024-26577-000	024-31603-000
1B	1		024-31642-000	024-31642-000	024-26577-000	024-26577-000	024-31636-000
1A	2	Compressor Contactor (System 2)	024-31643-000	024-31643-000	024-26577-000	024-26577-000	024-31603-000
1B	1		024-31642-000	024-31642-000	024-26577-000	024-26577-000	024-31636-000
1C	6	Surge Suppressor	031-00808-000	031-00808-000	031-00808-000	031-00808-000	031-02203-000
1D	1	Mechanical Interlock	024-35641-000	024-31641-000	024-31600-000	024-31600-000	024-31601-000
	1		024-35641-000	025-31641-000	025-31600-000	024-31600-000	024-31601-000
1G	2	Motor Protector	024-30907-000	024-30907-000	024-30907-000	024-30907-000	024-30907-000
1K	2	Ground Lug, Cu	025-34089-000	025-34089-000	025-34089-000	025-34089-000	025-34088-000
2A	3	Terminal Block (Sys1)	025-34408-000	025-34454-000	025-34408-000	025-34454-000	025-34454-000
	3	Terminal Block (Sys2)	025-34408-000	025-34454-000	025-34408-000	025-34454-000	025-34454-000
	1	Circuit Breaker (Sys1)	025-34425-000	025-34425-000	025-34424-000	025-34419-000	025-34419-000
	1	Circuit Breaker (Sys2)	025-34425-000	025-34425-000	025-34424-000	025-34419-000	025-34419-000
	1	NF Disc. Switch (Sys1)	024-30965-000	024-30964-000	024-31870-000	024-31870-000	024-31888-000
	1	NF Disc. Switch (Sys2)	024-30965-000	024-30964-000	024-31870-000	024-31870-000	024-31888-000
	3	Fuse Block (Sys1)	025-38355-000	025-38355-000	025-37607-000	025-37607-000	025-37610-000
	3	Fuse Block (Sys2)	025-38355-000	025-38355-000	025-37607-000	025-37607-000	025-37610-000
2B	2	Fuse	025-38353-000	025-38353-000	025-38352-000	025-38339-000	025-37686-000
2C	2	Handle & Shaft (CB)	025-35695-000	025-35695-000	024-31878-000	024-31878-000	024-31878-000
	2	Handle & Shaft (NFDS)	024-31878-000	024-31878-000	024-31878-000	024-31878-000	024-31878-000
2K	2	Auxiliary C/B Switch	024-31646-000	024-31646-000	024-31646-000	024-31646-000	024-31646-000

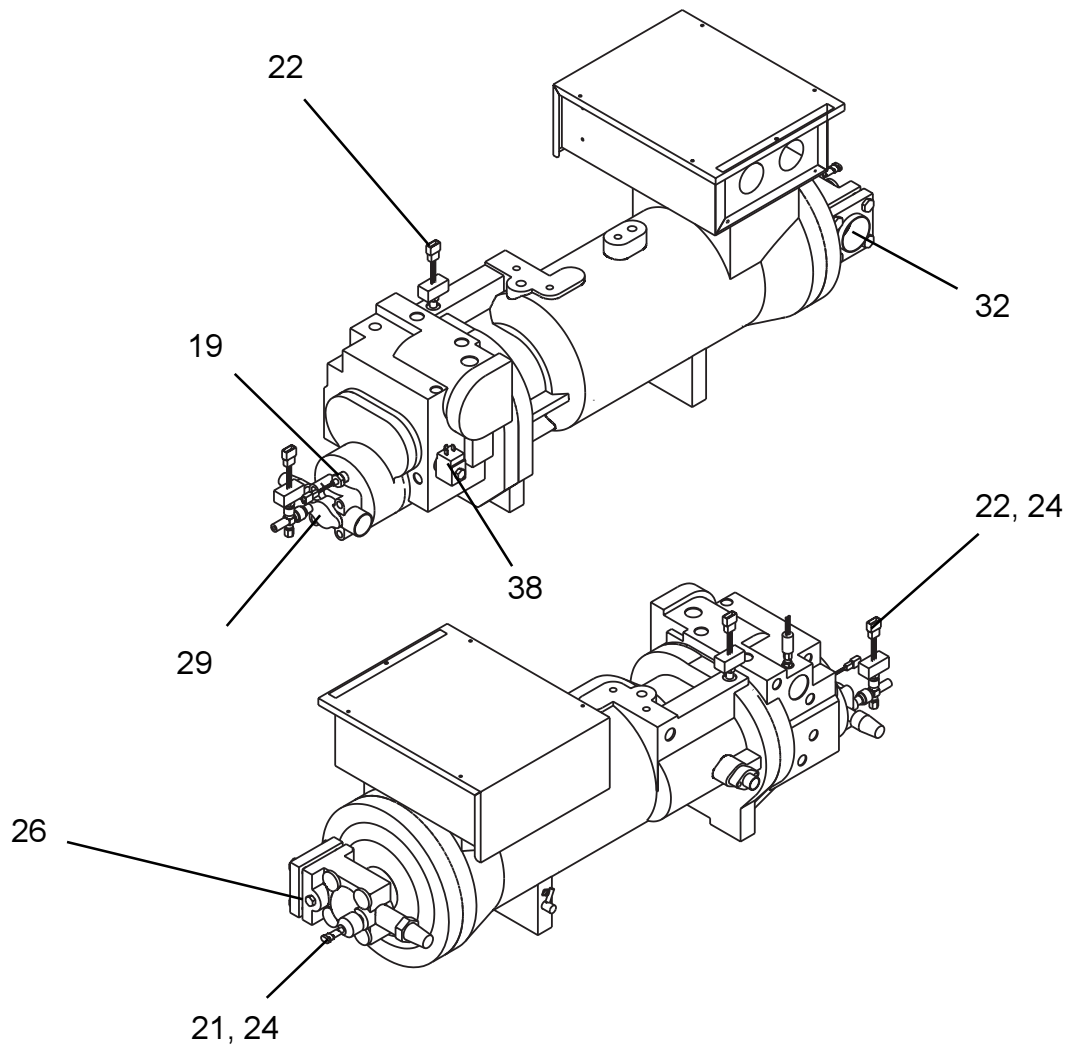
^S Recommended Spare Part

TRANSDUCERS, PRESSURE CUTOUTS AND TEMP SENSORS

TABLE 11 – TRANSDUCER, PRESSURE CUTOUTS AND TEMP SENSORS - YCWS0100, YCWS0120, YCRS0100 AND YCRS0120 (SEE FIG. 16)

ITEM NUMBER	QUANTITY	SYSTEM	DESCRIPTION	VOLTAGE CODE	PART NUMBER
19 ^s	2	1 and 2	Sensor, Discharge Temp.	ALL	025-32924-000
21 ^s	2	1 and 2	Transducer, Suct. Press. (0-200psi)	ALL	025-29139-002
22 ^s	4	1 and 2	Transducer, Disch. Press. (0-400psi)	ALL	025-29139-001
24	4	1 and 2	Valve, Transducer	ALL	022-09503-000
26	2	1 and 2	Valve, Stop	ALL	022-00009-000
29	2	1 and 2	Valve, Discharge Stop	ALL	022-03727-003
32	2	1 and 2	Valve, Suction Stop	ALL	022-09777-001
38	2	1 and 2	Switch, High Pressure Cutout, 300 psi	ALL	025-35948-000

^s Recommended Spare Part



33420-1

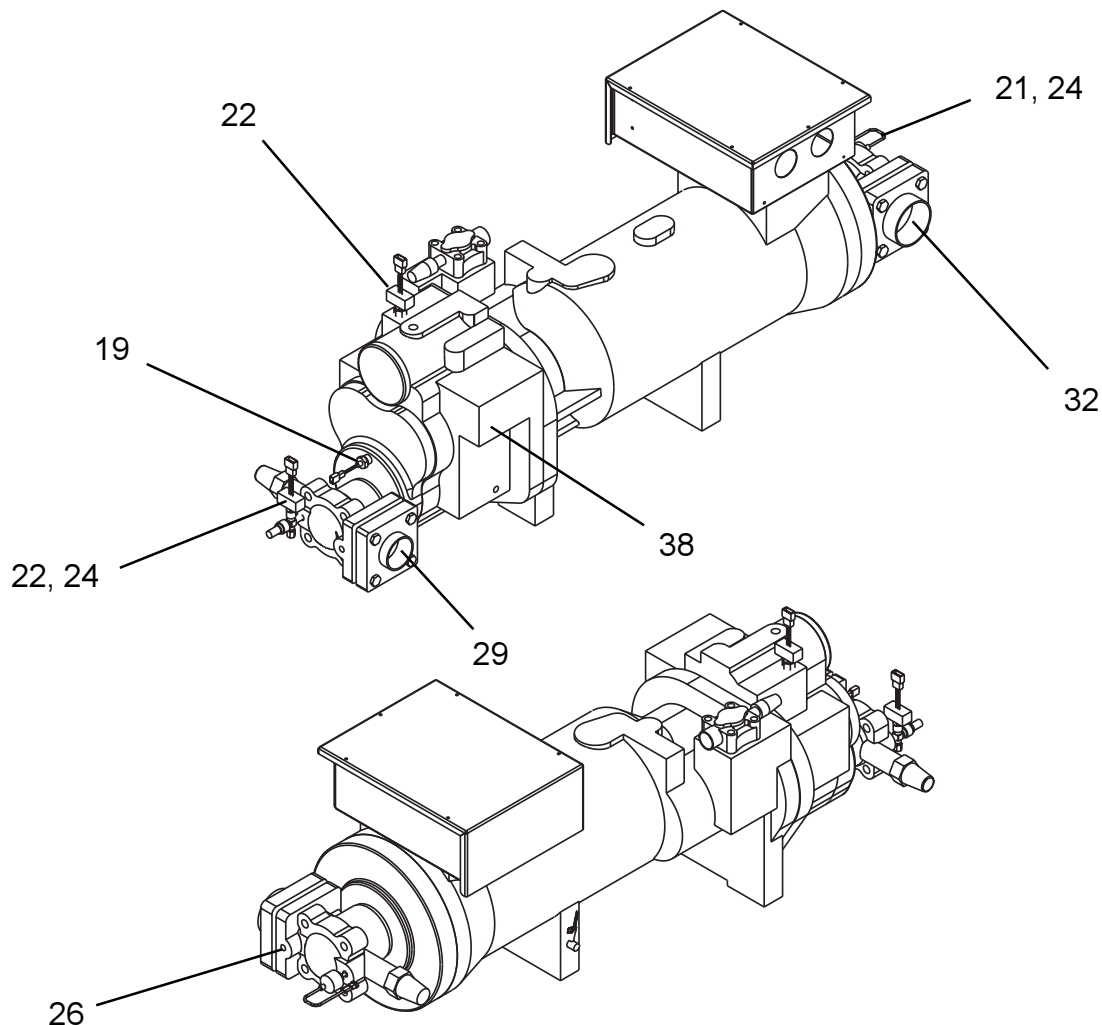
FIG. 16 – TRANSDUCERS, PRESSURE CUTOUTS AND TEMP SENSORS (REF. TABLE 11)

TRANSDUCERS, PRESSURE CUTOUTS AND TEMP SENSORS (CONT'D)

TABLE 12 – TRANSDUCER, PRESSURE CUTOUTS AND TEMP SENSORS - YCWS0140 THRU YCWS0240, AND YCRS0140 THRU YCRS0240 (SEE FIG. 17)

ITEM NUMBER	QUANTITY	SYSTEM	DESCRIPTION	VOLTAGE CODE	PART NUMBER
19 ^s	2	1 and 2	Sensor, Discharge Temp.	ALL	025-32924-000
21 ^s	2	1 and 2	Transducer, Suct. Press. (0-200psi)	ALL	025-29139-002
22 ^s	4	1 and 2	Transducer, Disch. Press. (0-400psi)	ALL	025-29139-001
24	4	1 and 2	Valve, Transducer	ALL	022-09503-000
26	2	1 and 2	Valve, Stop	ALL	022-00009-000
29	2	1 and 2	Valve, Discharge Stop	ALL	022-01393-001
	1	1 and 2	Valve, Discharge Stop	ALL	022-02845-001
	1			ALL	022-01393-001
	2	1 and 2	Valve, Discharge Stop	ALL	022-02845-001
32	2	1 and 2	Valve, Suction Stop	ALL	022-09777-001
38	2	1 and 2	Switch, High Pressure Cutout, 300 psi	ALL	025-35948-000

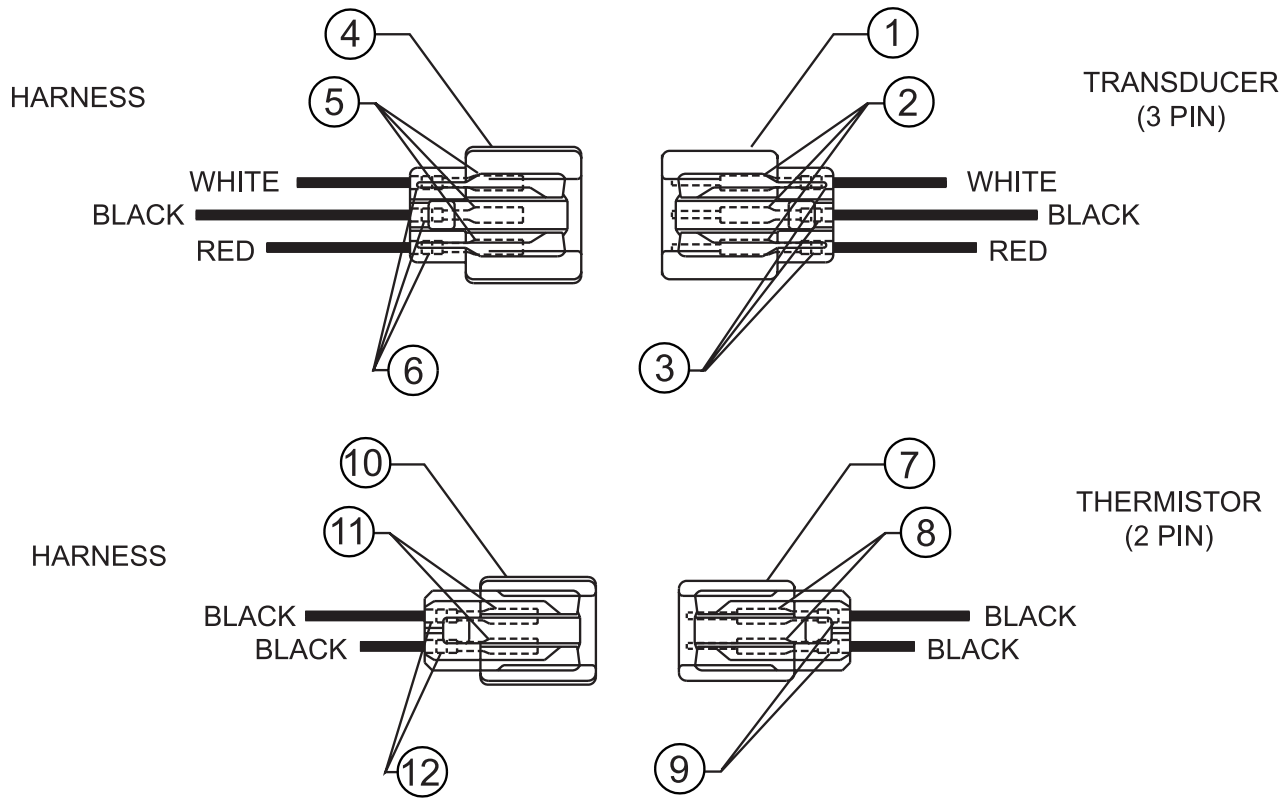
^s Recommended Spare Part



31621-1

FIG. 17 – TRANSDUCERS, PRESSURE CUTOUTS AND TEMP SENSORS (REF. TABLE 12)

TRANSDUCER AND THERMISTOR WIRE HARNESS CONNECTORS - FIELD REPLACEMENT PART NUMBERS



02492-2b

FIG. 18 – TRANSDUCER AND THERMISTOR WIRE HARNESS CONNECTORS - FIELD REPLACEMENT PART NUMBERS (REF. TABLE 13)

TABLE 13 – TRANSDUCER AND THERMISTOR WIRE HARNESS CONNECTORS - FIELD REPLACEMENT PART NUMBERS (SEE FIG. 18)

ITEM NO.	LOCATION	DESCRIPTION	PINS	PART NUMBER
1	Transducer	Plug Connector	3 Pin End	025-28953-000
2		Contact Pins		025-28949-000
3		Rubber Collar		025-28950-000
4	Wire Harness	Plug Connector	3 Pin End	025-28954-000
5		Contact Pins		025-28952-000
6		Rubber Collar		025-28950-000
7	Thermistor	Plug Connector	2 Pin End	025-28948-000
8		Contact Pins		025-28949-000
9		Rubber Collar		025-28950-000
10	Wire Harness	Plug Connector	2 Pin End	025-28951-000
11		Contact Pins		025-28952-000
12		Rubber Collar		025-28950-000

This page intentionally left blank

YCWS CHILLER OPTIONS – KITS

TABLE 14 – YCWS FIELD INSTALLABLE OPTIONS TABLE

MODEL NUMBER YCWS	VIBRATION ISOLATORS SPRING 1" DEFLEC 60 HERTZ	VIBRATION ISOLATORS SPRING 2" (SEISMIC) 60 HERTZ	VIBRATION ISOLATOR PAD 1/2" DEFLEC NEOPRENE 60 HERTZ	WELD FLANGE KIT (60 HERTZ)	VICTAULIC FLANGE KIT (60 HERTZ)	CHICAGO RELIEF CODE
MODEL #	029-	029-	029-	375-	375-	375-44146
0100	23721-000	23726-000	23712-000	41689-000	41670-003	-000
0120	23721-000	23726-000	23712-000	41691-000	41670-003	-000
0140	23721-000	23726-000	23712-000	41691-000	41670-003	-000
0180	23722-000	23727-000	23724-000	41692-000	41670-004	-000
0200	23722-000	23727-000	23724-000	41692-000	41670-004	-000
0220	23723-000	23727-000	23724-000	41692-000	41670-004	-000
0240	23723-000	23727-000	23724-000	41692-000	41670-004	-000

TABLE 14 – YCWS FIELD INSTALLABLE OPTIONS TABLE

MODEL NUMBER YCWS	FLOW SWITCH (10 bar) (150 PSI)	PRESSURE DIFFERENTIAL SWITCH	PRINTER KIT (60 Hz)	BAS/EMS TEMP RESET KIT	BAS/EMS CURRENT RESET KIT
MODEL #	024-26116	025-30919	375-44638	371-02336	371-02336
0100	-000	-000	-000	-102	-101
0120	-000	-000	-000	-102	-101
0140	-000	-000	-000	-102	-101
0180	-000	-000	-000	-102	-101
0200	-000	-000	-000	-102	-101
0220	-000	-000	-000	-102	-101
0240	-000	-000	-000	-102	-102

YCRS CHILLER OPTIONS – KITS

TABLE 14A – YCRS FIELD INSTALLABLE OPTIONS TABLE

MODEL NUMBER YCRS	VIBRATION ISOLATORS SPRING 1" DEFLEC 60 HERTZ	VIBRATION ISOLATORS SPRING 2" (SEISMIC) 60 HERTZ	VIBRATION ISOLATOR PAD 1/2" DEFLEC NEOPRENE 60 HERTZ	WELD FLANGE KIT (60 HERTZ)	VICTAULIC FLANGE KIT (60 HERTZ)
MODEL #	029-	029-	029-	375-	375-
0100	23729-000	23732-000	23734-000	44726-000	44727-003
0120	23730-000	23732-000	23734-000	44726-000	44727-003
0140	23730-000	23732-000	23734-000	44726-000	44727-003
0180	23731-000	23733-000	23735-000	44726-000	44727-004
0200	23731-000	23733-000	23735-000	44726-000	44727-004
0220	23731-000	23733-000	23735-000	44726-000	44727-004
0240	23731-000	23733-000	23735-000	44726-000	44727-004

TABLE 14A – YCRS FIELD INSTALLABLE OPTIONS TABLE

MODEL NUMBER YCRS	FLOW SWITCH (10 bar)	PRESSURE DIFFERENTIAL SWITCH	PRINTER KIT (60 Hz)	BAS/EMS TEMP RESET KIT	BAS/EMS CURRENT RESET KIT
MODEL #	024-26116	025-30919	375-44638	371-02336	371-02336
0100	-000	-000	-000	-102	-101
0120	-000	-000	-000	-102	-101
0140	-000	-000	-000	-102	-101
0180	-000	-000	-000	-102	-101
0200	-000	-000	-000	-102	-101
0220	-000	-000	-000	-102	-101
0240	-000	-000	-000	-102	-101

REMOTE CONTROL CENTER

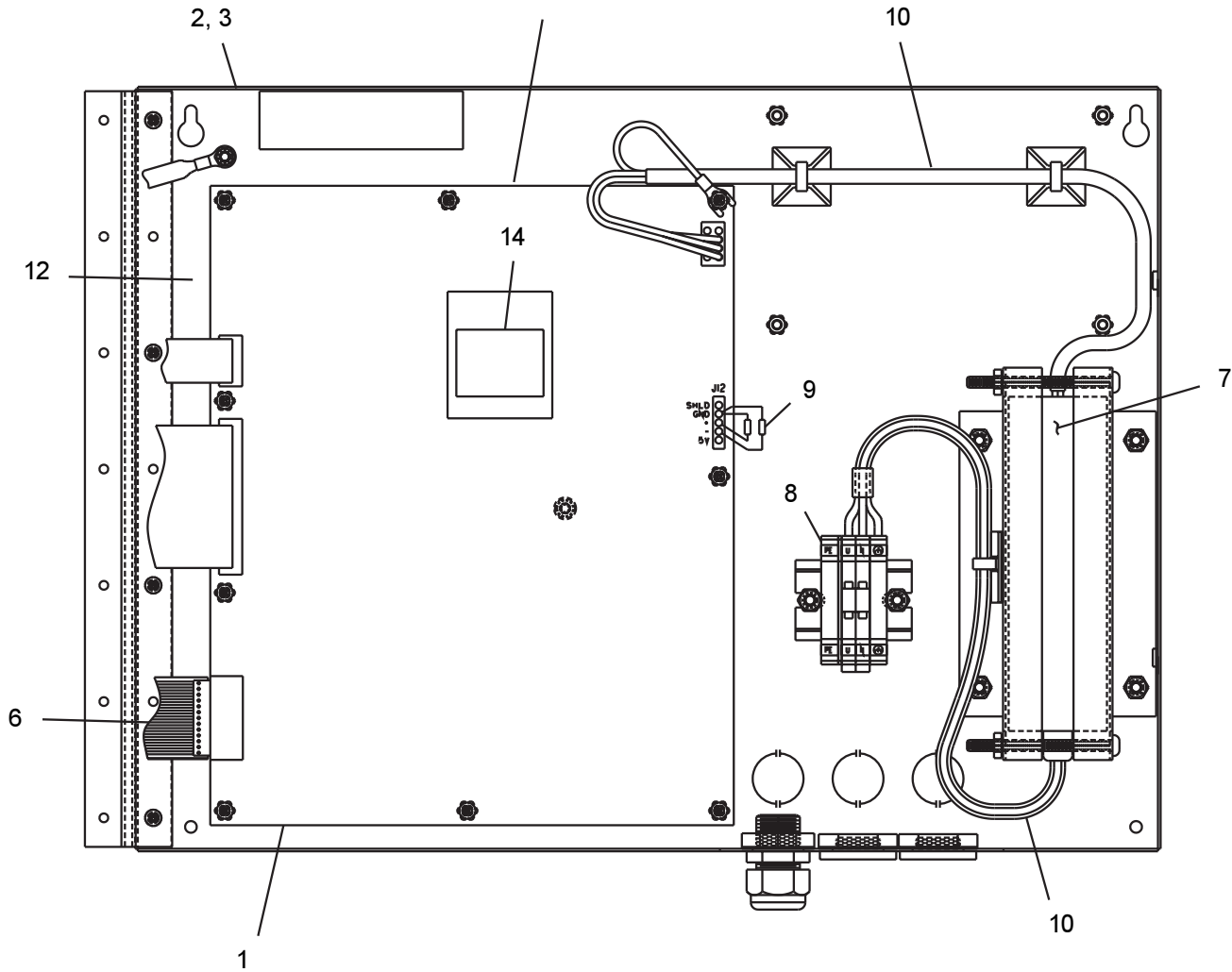


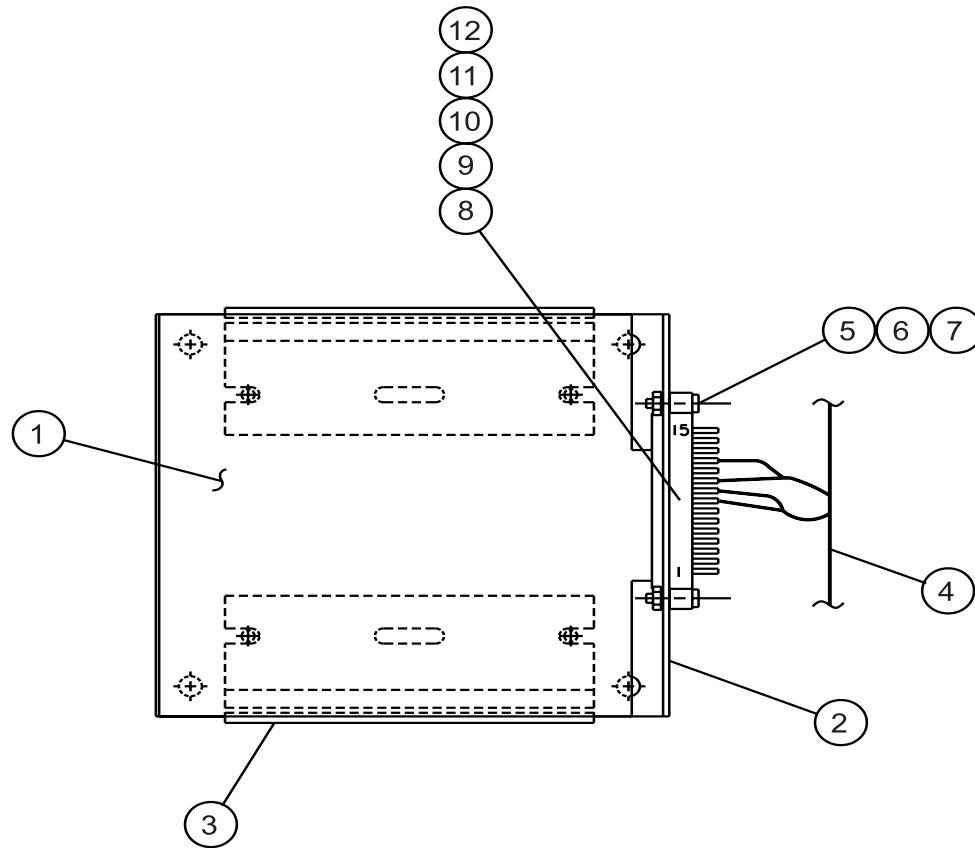
FIG. 19 – OPTI-VIEW REMOTE CONTROL PANEL

02750-3a

TABLE 15 – OPTI-VIEW REMOTE CONTROL PANEL PARTS

371-02750-101 (60 HZ)			
REF. NUMBER	QUANTITY	DESCRIPTION	PART NUMBER
1	1	CONTROL, MICROBOARD	031-01730-002
2	1	COVER, REMOTE CONTROL	371-02750-311
3	1	BASE, REMOTE CONTROL	071-02485-320
4	1	DISPLAY, KIT (NOT SHOWN)	331-02053-000
5	1	SWITCH, KEYPAD (NOT SHOWN)	024-30974-001
6	1	RIBBON CABLE	031-02056-000
7	1	POWER SUPPLY	371-02750-411
8	1	TERMINAL BLOCK	025-35120-000
9	1	SUPPRESSOR	031-02076-000
10	1	CABLE ASSEMBLY	571-02750-421
11	8	MODULE, LAN TRANSIENT PROTECTION (LTP)	031-01586-000
12	1	WIRING DIAGRAM	035-17188-000
13	1	OPERATOR'S MANUAL (NOT SHOWN)	201.24-NM1
14	1	FLASH MINI-CARD	031-02057-001

REMOTE CURRENT/TEMPERATURE RESET PARTS BREAKDOWN



LD05256

FIG. 20 – REMOTE CURRENT(371-02336-101)/TEMPERATURE(371-02336-102) RESET COMPONENTS

TABLE 16 – REMOTE CURRENT (371-02336-101) OR TEMPERATURE (371-02336-102) RESET KIT

REF. NUMBER	QUANTITY	DESCRIPTION	PART NUMBER
1	1	CONTROL, REMOTE CURRENT/TEMP	031-00814-000
2	1	BRACKET, REMOTE CURRENT/TEMP RESET	371-01232-361
3	1	TRACK, SNAP	071-01232-363
4	1	WIRING, REMOTE CURRENT/TEMP RESET	571-02492-231*
5	2	SCREW, MACHINE PAN HEAD #4	021-17594-000
6	2	NUT, HEX MACH SCREW #4 – 40 UNC-2B	021-10056-000
7	2	LOCKWASHER, HEL. SPG. #4 REG.	021-17576-000
13	1	BRIDGE RECTIFIER - 1BR (NOT SHOWN)	031-02201-000

* Refer to Table 17

TABLE 17 – REMOTE RESET WIRING

REF. NUMBER	QUANTITY	DESCRIPTION	PART NUMBER
8	2	CONT SOC AWG WIRE SIZE 20	025-19674-000
9	2	TERMINAL PUSH ON STRAIGHT	025-06642-000
10	4	TUBING HEAT SHRINKABLE 1/8 ID	025-29632-000
11	1	HGS CONNECTOR ELECTRICAL PLUG	025-32564-000*
12	1	CONNECTOR EDGE, 15 POSITION, 0.125	025-29631-000

Chiller Options

RECOMMENDED SPARE PARTS
York Models YCWS and YCRS Style A Water Cooled Liquid Chillers
Suggested Spare Parts List for Critical Duty Applications

TABLE 18 – RECOMMENDED SPARE PARTS - YCWS AND YCRS CHILLERS (60 HERTZ)

PAGE REF. & ITEM NUMBER	DESCRIPTION	MODEL NUMBER YCWS	PART NUMBER
Page 10&11, Item 1	Valve, Thermal Expansion (Cooler)	All	See Table 3
Page 10&11, Item 3	Core, Dehydrator	All	See Table 3
Page 10&11, Item 4	Valve, Solenoid, Liquid Line	All	See Table 3
Page 14, Item Oil	Oil, Compressor	All	011-00592-000
Page 14, Item 35	Filter, Oil	All	026-35601-000
Page 14, Item 36	O-ring	All	028-13849-000
Page 27, Item 4A	Micro Processor Board	All	031-01095-002
Page 27, Item 4B	EPROM	All	031-01798-001
Page 27, Item 4C	I/O Expansion Board	All	031-01781-000
Page 27, Item 4D	Circuit Board, Power Supply	All	031-01094-000
Page 42&43, Item 19	Sensor, Discharge Temp.	All	025-32924-000
Page 42&43, Item 21	Transducer, Suction Pressure	All	025-29139-002
Page 42&43, Item 22	Transducer, Discharge Pressure	All	025-29139-001
Page 42&43, Item 24	Valve, Transducer	All	022-09503-000
Page 42&43, Item 38	Switch, High Pressure Cutout	All	025-35948-000

All parts should be purchased from your local
YORK Sales And Service Center.

NOTES

