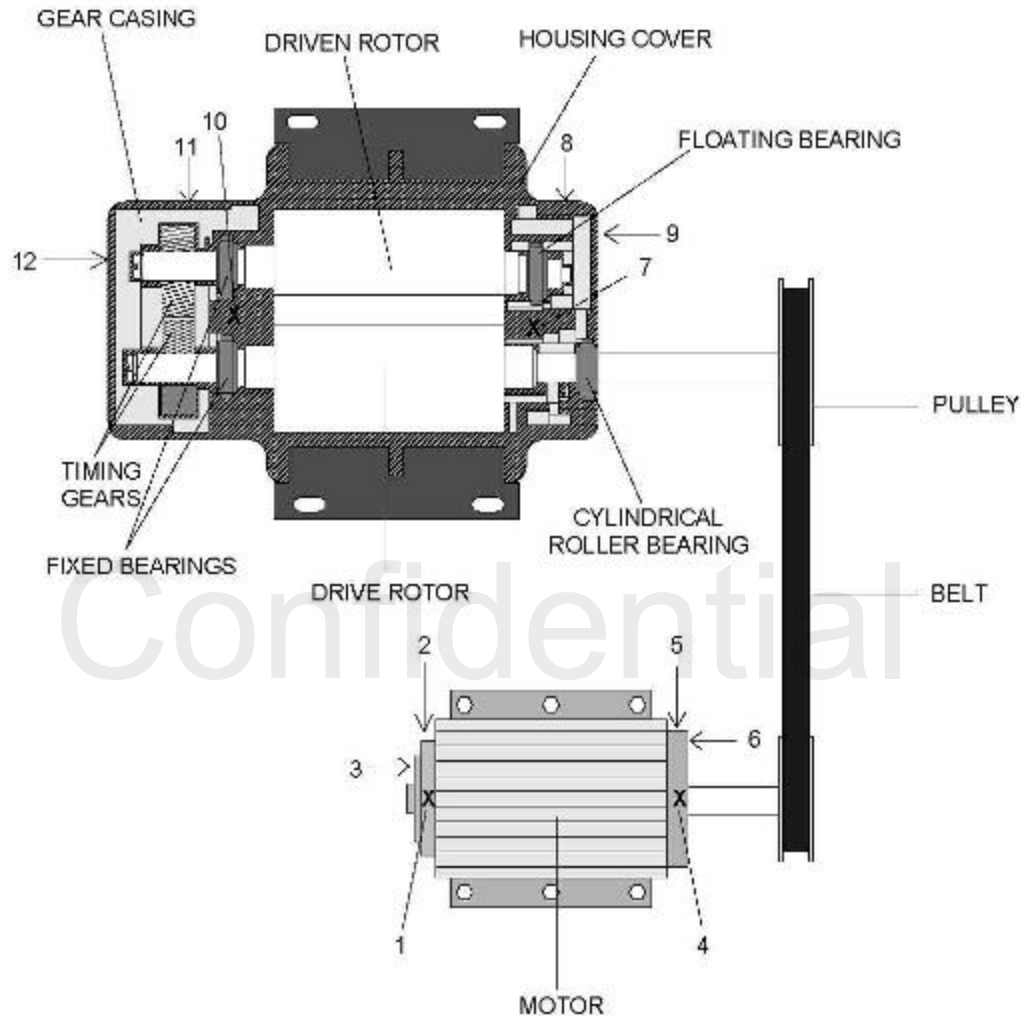


# AERZEN

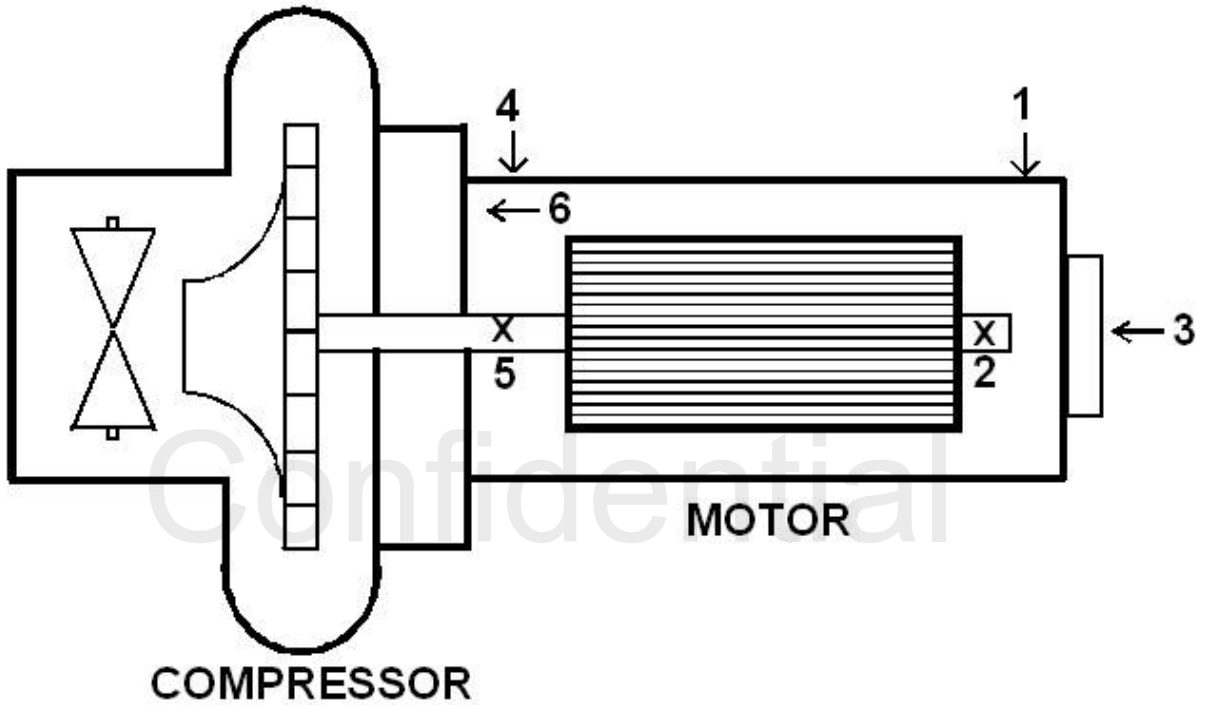


**\*SENSOR MOUNTING TABS REQUIRED**

## MEASUREMENT POINTS

- |                              |                                 |
|------------------------------|---------------------------------|
| 1 - Motor Off-End Vertical   | 7 - Blower Inboard Vertical     |
| 2 - Motor Off-End Horizontal | 8 - Blower Inboard Horizontal   |
| 3 - Motor Off-End Axial      | 9 - Blower Inboard Axial        |
| 4 - Motor Drive Vertical     | 10 - Blower Outboard Vertical   |
| 5 - Motor Drive Horizontal   | 11 - Blower Outboard Horizontal |
| 6 - Motor Drive Axial        | 12 - Blower Outboard Axial      |

# AMERICAN STANDARD TONRAC

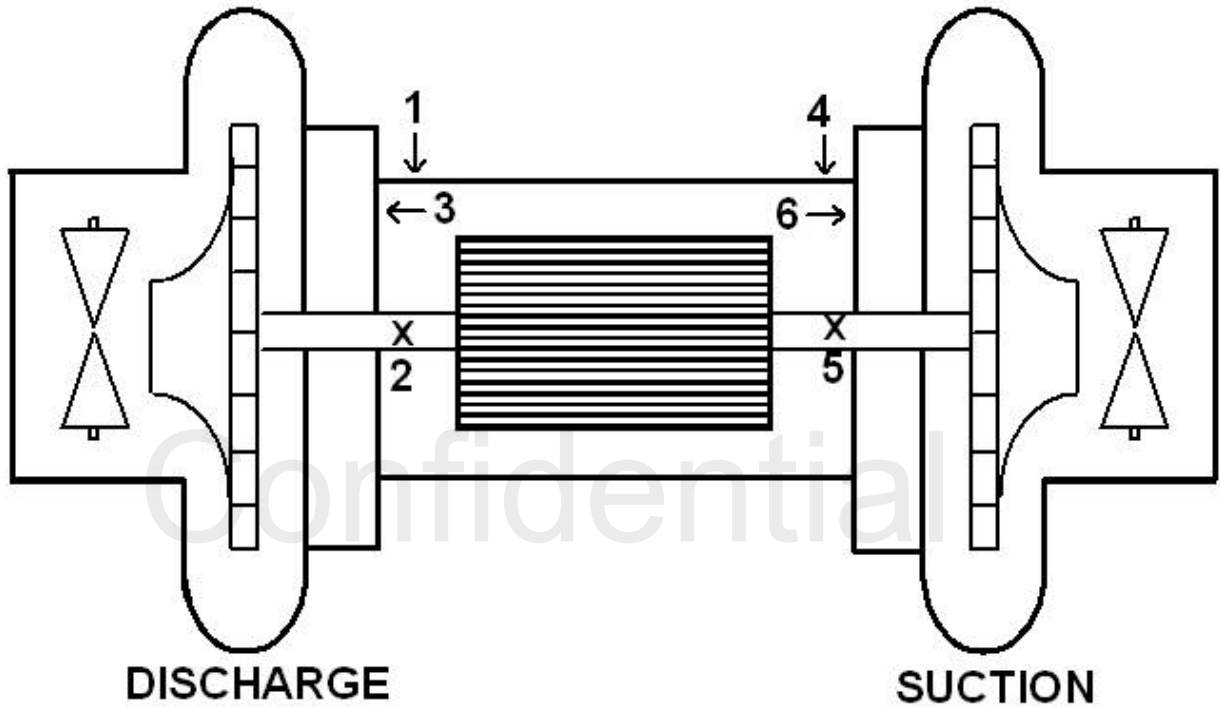


SIDE VIEW

## MEASUREMENT POINTS

- |                      |                           |
|----------------------|---------------------------|
| 1 - Motor Vertical   | 4 - Compressor Vertical   |
| 2 - Motor Horizontal | 5 - Compressor Horizontal |
| 3 - Motor Axial      | 6 - Compressor Axial      |

# AMERICAN STANDARD TONRAC



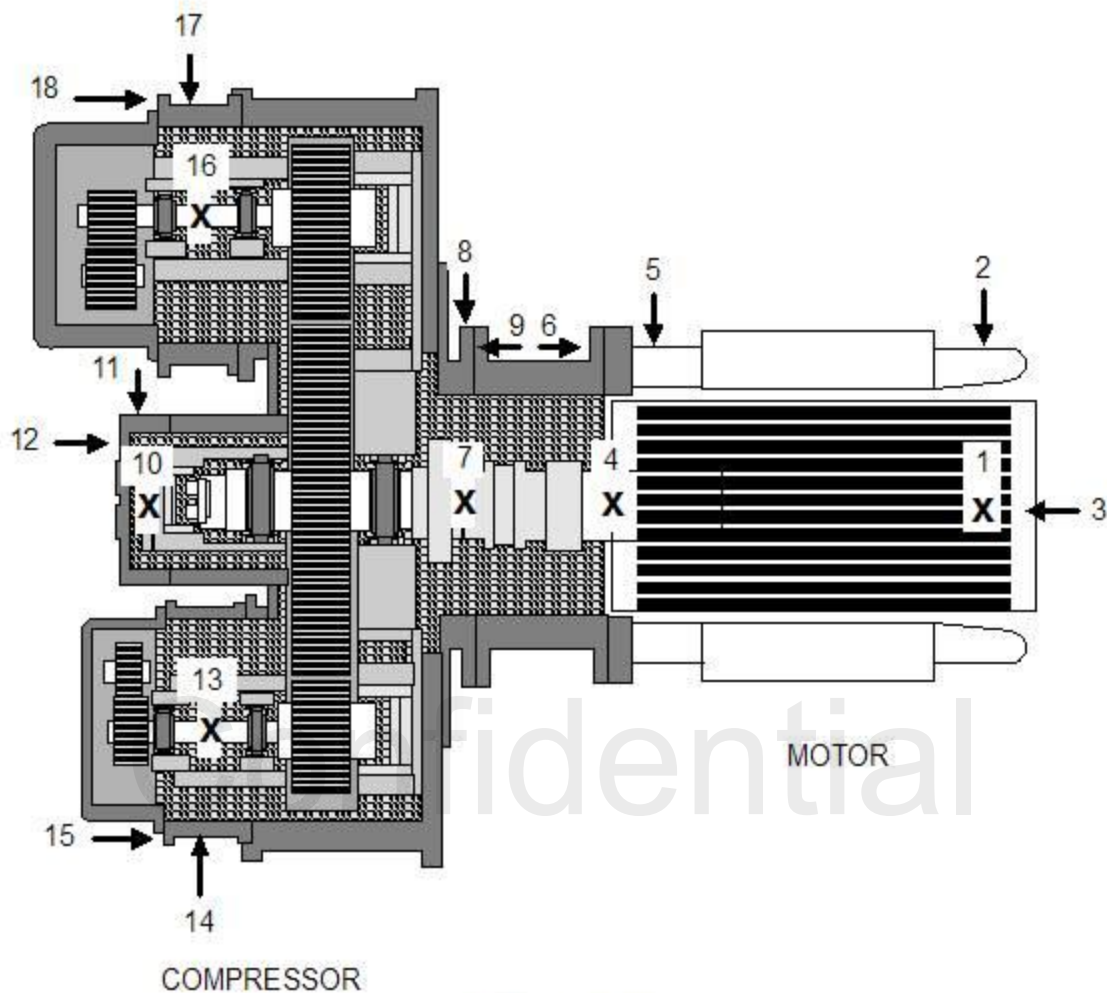
SIDE VIEW

## MEASUREMENT POINTS

- 1 - Discharge Vertical
- 2 - Discharge Horizontal
- 3 - Discharge Axial

- 4 - Suction Vertical
- 5 - Suction Horizontal
- 6 - Suction Axial

# ATLAS COPCO



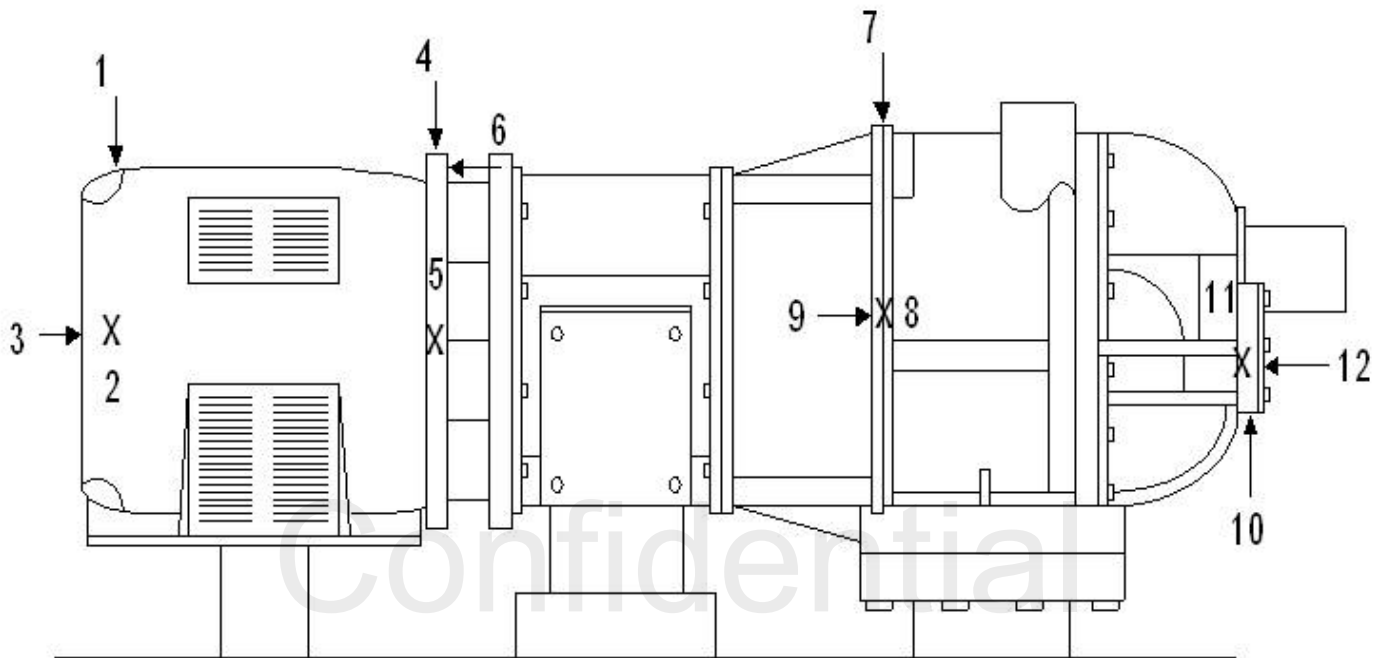
SIDE VIEW

**\*SENSOR MOUNTING TABS REQUIRED**

## MEASUREMENT POINTS

- |                                |                                  |
|--------------------------------|----------------------------------|
| 1) MOTOR OFF-END VERTICAL      | 10) GEAR BOX OUTBOARD VERTICAL   |
| 2) MOTOR OFF-END HORIZONTAL    | 11) GEAR BOX OUTBOARD HORIZONTAL |
| 3) MOTOR OFF-END AXIAL         | 12) GEAR BOX OUTBOARD AXIAL      |
| 4) MOTOR DRIVE-END VERTICAL    | 13) TIMING LEFT VERTICAL         |
| 5) MOTOR DRIVE-END HORIZONTAL  | 14) TIMING LEFT HORIZONTAL       |
| 6) MOTOR DRIVE-END AXIAL       | 15) TIMING LEFT AXIAL            |
| 7) GEAR BOX INBOARD VERTICAL   | 16) TIMING RIGHT VERTICAL        |
| 8) GEAR BOX INBOARD HORIZONTAL | 17) TIMING RIGHT HORIZONTAL      |
| 9) GEAR BOX INBOARD AXIAL      | 18) TIMING RIGHT AXIAL           |

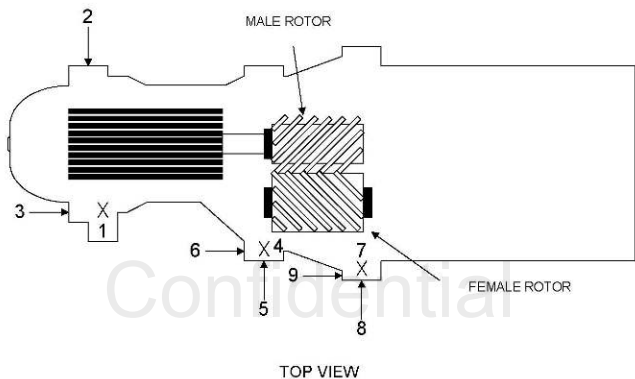
# ATLAS COPCO GA37



## MEASUREMENT POINTS

- |                      |                       |
|----------------------|-----------------------|
| 1 - MOTOF Vertical   | 7 - COMIB Vertical    |
| 2 - MOTOF Horizontal | 8 - COMIB Horizontal  |
| 3 - MOTOF Axial      | 9 - COMIB Axial       |
| 4 - MOTDR Vertical   | 10 - COMOB Vertical   |
| 5 - MOTDR Horizontal | 11 - COMOB Horizontal |
| 6 - MOTDR Axial      | 12 - COMOB Axial      |

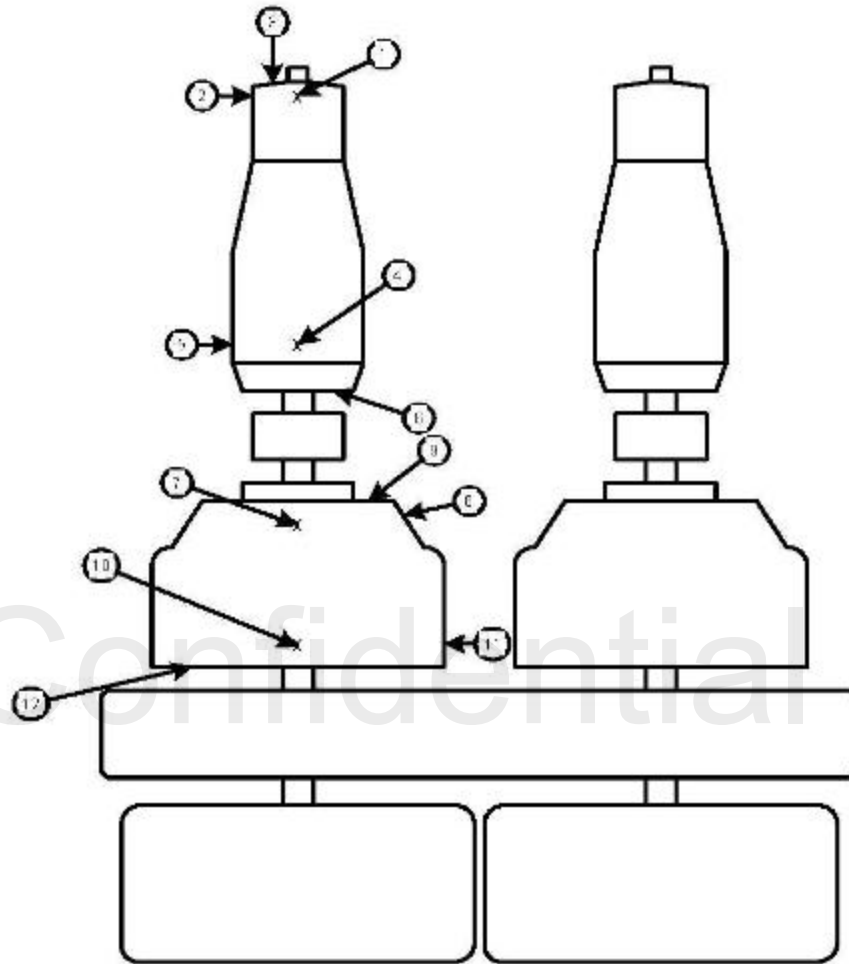
# BOHN



## MEASUREMENT POINTS

- |                      |                           |
|----------------------|---------------------------|
| 1 - Motor Vertical   | 6 - Mocom Axial           |
| 2 - Motor Horizontal | 7 - Compressor Vertical   |
| 3 - Motor Axial      | 8 - Compressor Horizontal |
| 4 - Mocom Vertical   | 9 - Compressor Axial      |
| 5 - Mocom Horizontal |                           |

# BRINDLE ROLL

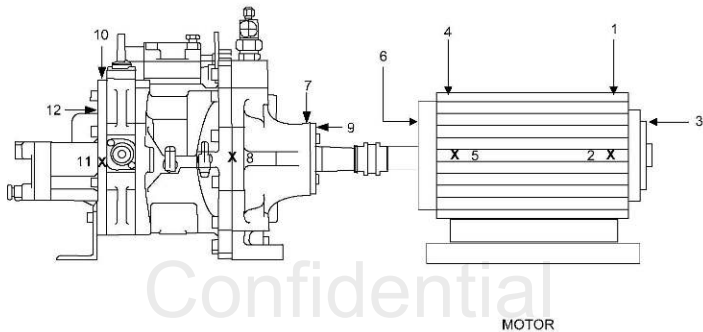


**\*SENSOR MOUNTING TABS REQUIRED**

## MEASUREMENT POINTS

- |                               |                                  |
|-------------------------------|----------------------------------|
| 1 - Motor Outboard Vertical   | 7 - Gearbox Inboard Vertical     |
| 2 - Motor Outboard Horizontal | 8 - Gearbox Inboard Horizontal   |
| 3 - Motor Outboard Axial      | 9 - Gearbox Inboard Axial        |
| 4 - Motor Drive Vertical      | 10 - Gearbox Outboard Vertical   |
| 5 - Motor Drive Horizontal    | 11 - Gearbox Outboard Horizontal |
| 6 - Motor Drive Axial         | 12 - Gearbox Outboard Axial      |

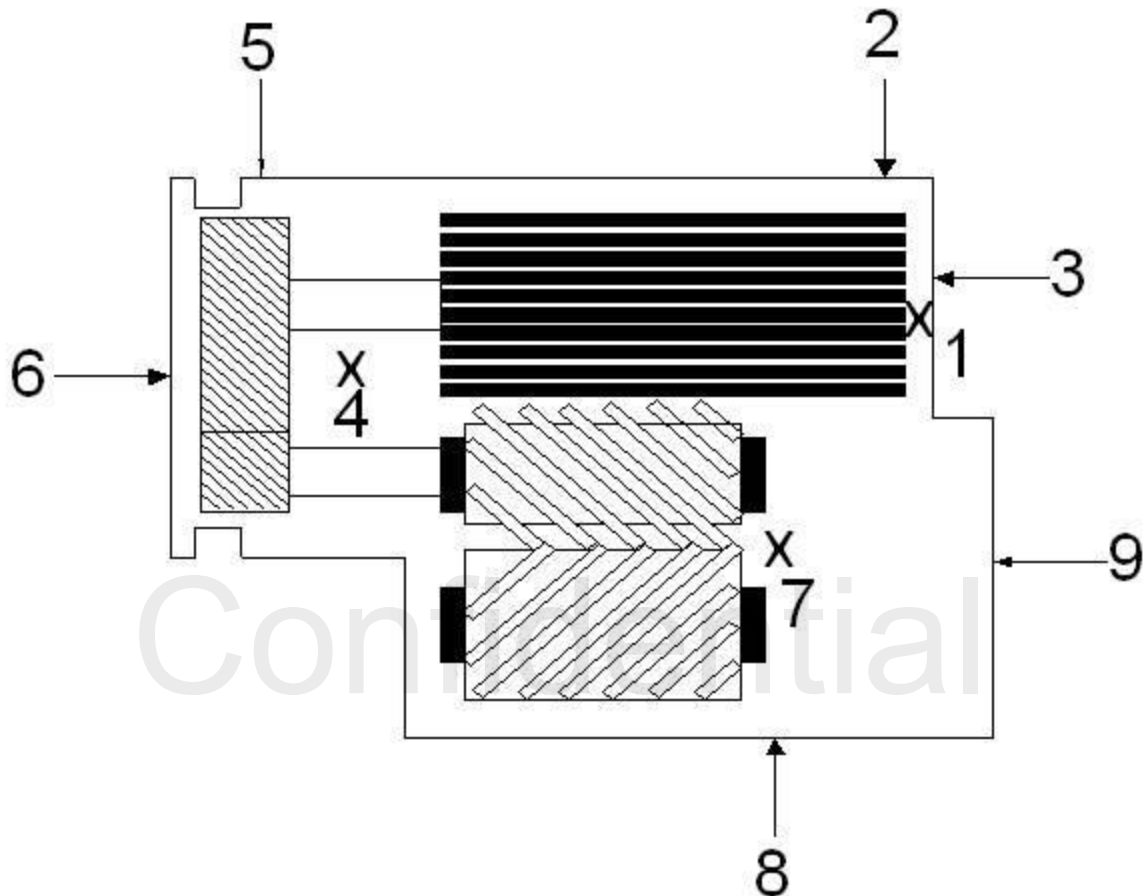
# CARRIER 05T



## MEASUREMENT POINTS

- |                      |                       |
|----------------------|-----------------------|
| 1 - MOTOF Vertical   | 7 - COMIB Vertical    |
| 2 - MOTOF Horizontal | 8 - COMIB Horizontal  |
| 3 - MOTOF Axial      | 9 - COMIB Axial       |
| 4 - MOTDR Vertical   | 10 - COMOB Vertical   |
| 5 - MOTDR Horizontal | 11 - COMOB Horizontal |
| 6 - MOTDR Axial      | 12 - COMOB Axial      |

# CARRIER 06N

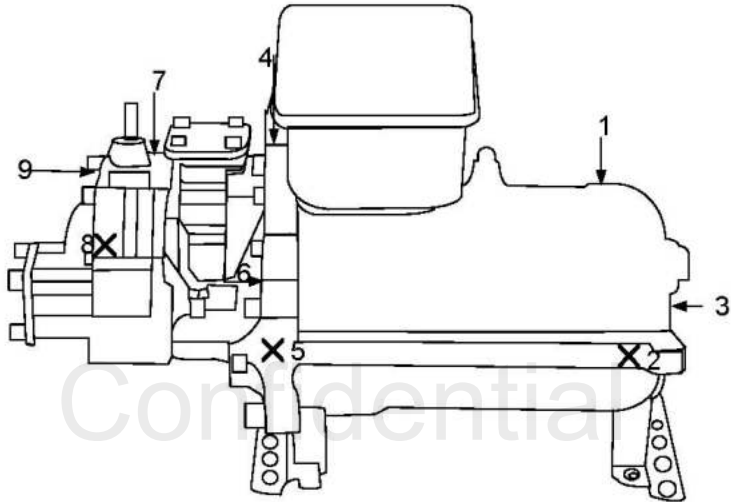


**\*SENSOR MOUNTING TABS REQUIRED**

## MEASUREMENT POINTS

- |                      |                           |
|----------------------|---------------------------|
| 1 - Motor Vertical   | 6 - Mocom Axial           |
| 2 - Motor Horizontal | 7 - Compressor Vertical   |
| 3 - Motor Axial      | 8 - Compressor Horizontal |
| 4 - Mocom Vertical   | 9 - Compressor Axial      |
| 5 - Mocom Horizontal |                           |

# Carrier 06T

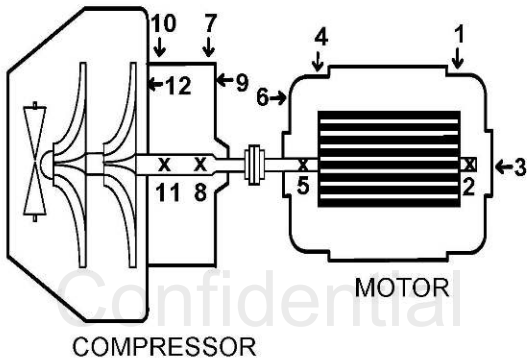


Side View

## MEASUREMENT POINTS

- |                      |                           |
|----------------------|---------------------------|
| 1 - Motor Vertical   | 6 - Mocom Axial           |
| 2 - Motor Horizontal | 7 - Compressor Vertical   |
| 3 - Motor Axial      | 8 - Compressor Horizontal |
| 4 - Mocom Vertical   | 9 - Compressor Axial      |
| 5 - Mocom Horizontal |                           |

# CARRIER 17C

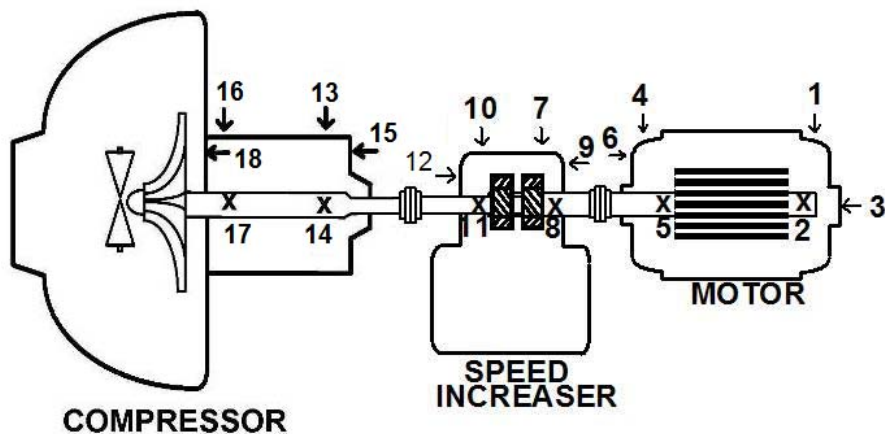


SIDE VIEW

## MEASUREMENT POINTS

- |                       |                            |
|-----------------------|----------------------------|
| 1 - Motor Vertical    | 7 - Com/Mo Vertical        |
| 2 - Motor Horizontal  | 8 - Com/Mo Horizontal      |
| 3 - Motor Axial       | 9 - Com/Mo Axial           |
| 4 - Mo/Com Vertical   | 10 - Compressor Vertical   |
| 5 - Mo/Com Horizontal | 11 - Compressor Horizontal |
| 6 - Mo/Com Axial      | 12 - Compressor Axial      |

# CARRIER 17DA



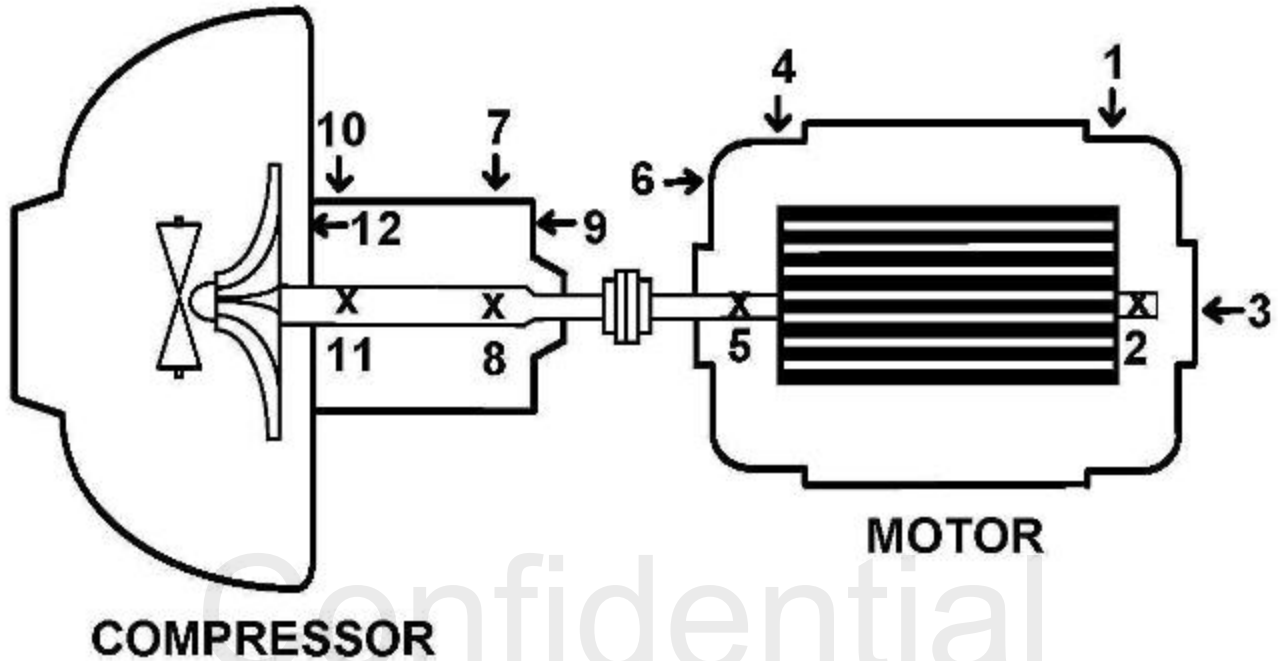
SIDE VIEW

**\*SENSOR MOUNTING TABS REQUIRED**

## MEASUREMENT POINTS

- |                         |                            |
|-------------------------|----------------------------|
| 1 - Motor Vertical      | 10 - Si/Compr Vertical     |
| 2 - Motor Horizontal    | 11 - Si/Compr Horizontal   |
| 3 - Motor Axial         | 12 - Si/Compr Axial        |
| 4 - Motor/Si Vertical   | 13 - Compr/Si Vertical     |
| 5 - Motor/Si Horizontal | 14 - Compr/Si Horizontal   |
| 6 - Motor/Si Axial      | 15 - Compr/Si Axial        |
| 7 - Si/Motor Vertical   | 16 - Compressor Vertical   |
| 8 - Si/Motor Horizontal | 17 - Compressor Horizontal |
| 9 - Si/Motor Axial      | 18 - Compressor Axial      |

# CARRIER 17DA

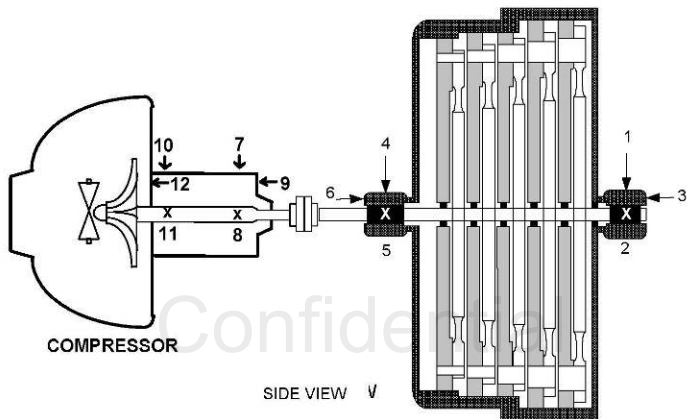


SIDE VIEW

## MEASUREMENT POINTS

- |                       |                            |
|-----------------------|----------------------------|
| 1 - Motor Vertical    | 7 - Com/Mo Vertical        |
| 2 - Motor Horizontal  | 8 - Com/Mo Horizontal      |
| 3 - Motor Axial       | 9 - Com/Mo Axial           |
| 4 - Mo/Com Vertical   | 10 - Compressor Vertical   |
| 5 - Mo/Com Horizontal | 11 - Compressor Horizontal |
| 6 - Mo/Com Axial      | 12 - Compressor Axial      |

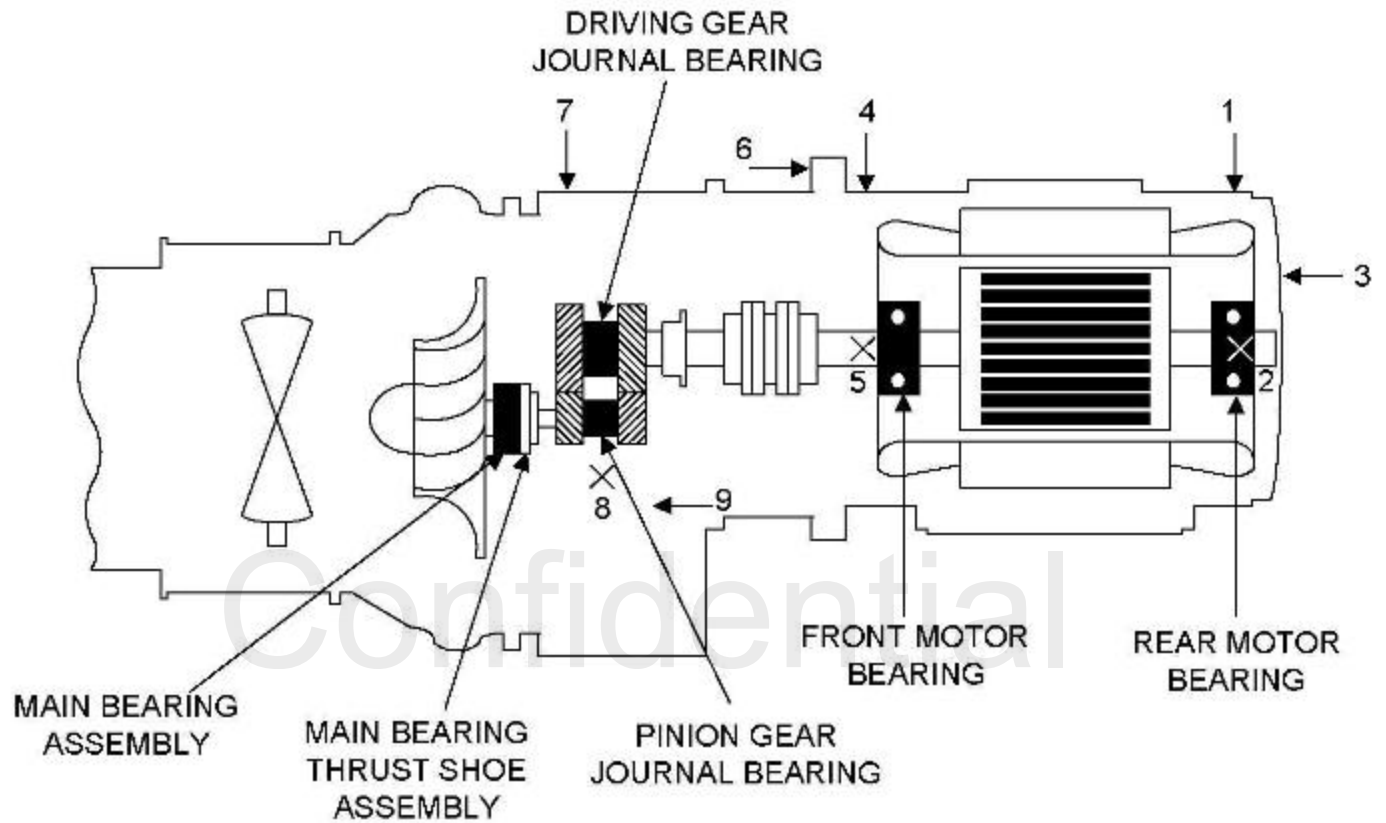
# CARRIER 17DA



## MEASUREMENT POINTS

- |                                  |                                      |
|----------------------------------|--------------------------------------|
| 1 - Turbine Off-end Vertical     | 7 - Compressor In-board Vertical     |
| 2 - Turbine Off-end Horizontal   | 8 - Compressor In-board Horizontal   |
| 3 - Turbine Off-end Axial        | 9 - Compressor in-board Axial        |
| 4 - Turbine Drive-end Vertical   | 10 - Compressor Out-board Vertical   |
| 5 - Turbine Drive-end Horizontal | 11 - Compressor Out-board Horizontal |
| 6 - Turbine Drive-end Axial      | 12 - Compressor Out-board Axial      |

# CARRIER 17DK

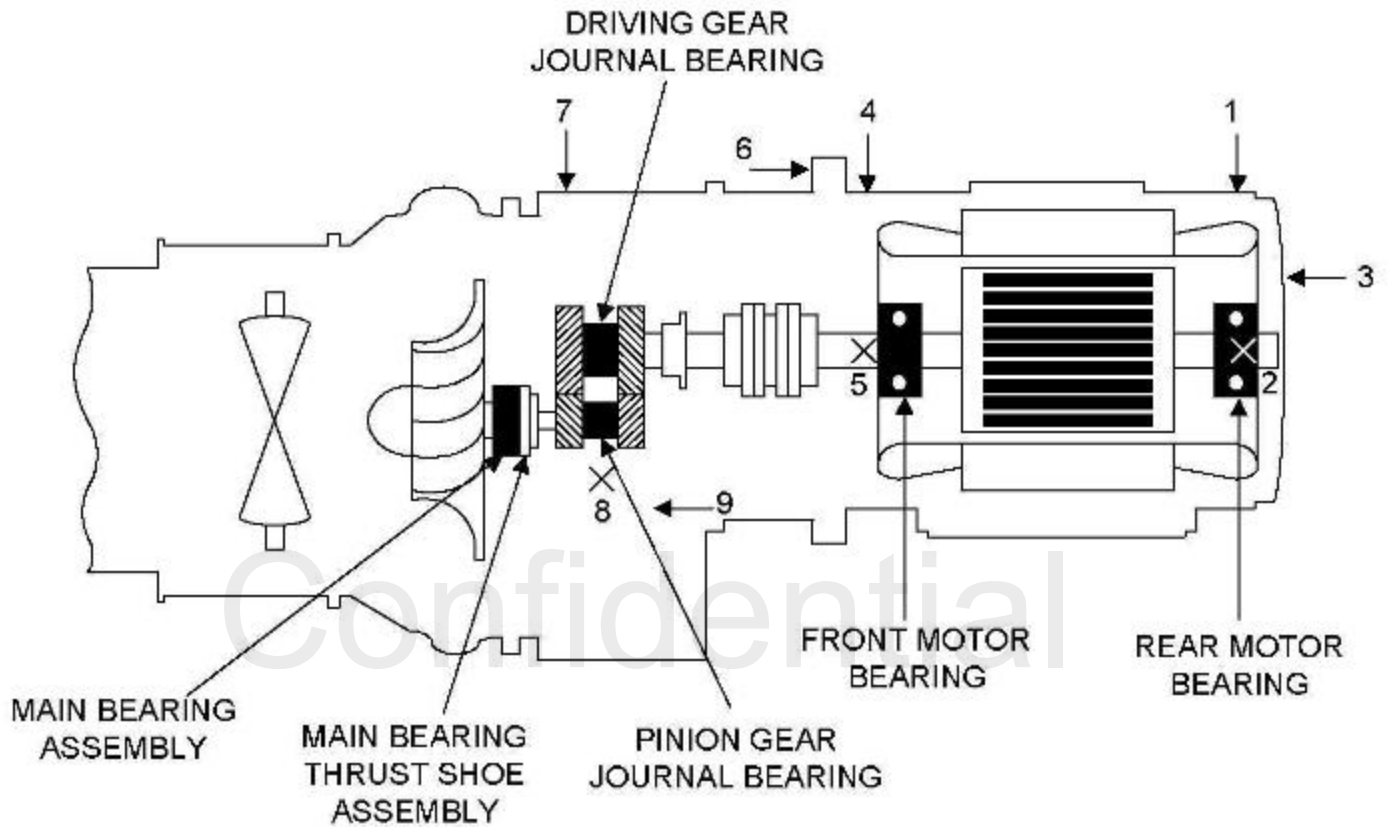


**\*SENSOR MOUNTING TABS REQUIRED**

## MEASUREMENT POINTS

- |                       |                           |
|-----------------------|---------------------------|
| 1 - Motor Vertical    | 6 - Mo/Com Axial          |
| 2 - Motor Horizontal  | 7 - Compressor Vertical   |
| 3 - Motor Axial       | 8 - Compressor Horizontal |
| 4 - Mo/Com Vertical   | 9 - Compressor Axial      |
| 5 - Mo/Com Horizontal |                           |

# CARRIER 17DM

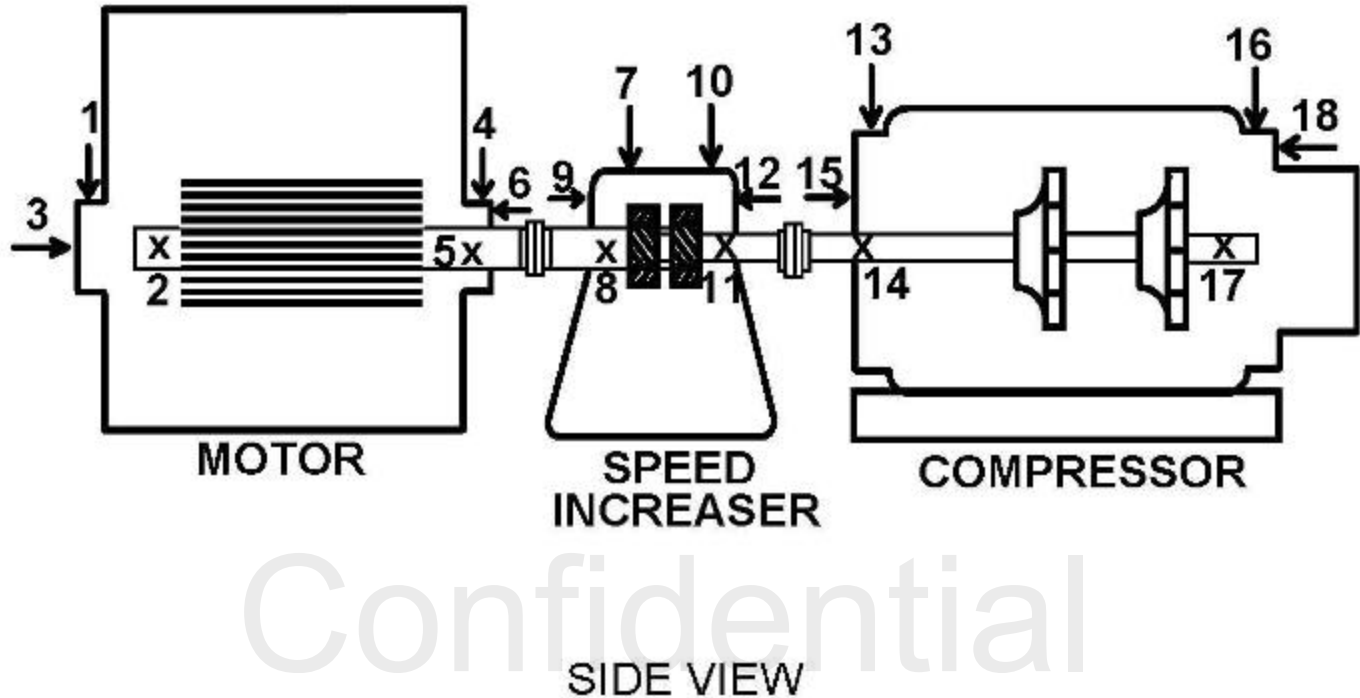


**\*SENSOR MOUNTING TABS REQUIRED**

## MEASUREMENT POINTS

- |                       |                           |
|-----------------------|---------------------------|
| 1 - Motor Vertical    | 6 - Mo/Com Axial          |
| 2 - Motor Horizontal  | 7 - Compressor Vertical   |
| 3 - Motor Axial       | 8 - Compressor Horizontal |
| 4 - Mo/Com Vertical   | 9 - Compressor Axial      |
| 5 - Mo/Com Horizontal |                           |

# CARRIER 17EX

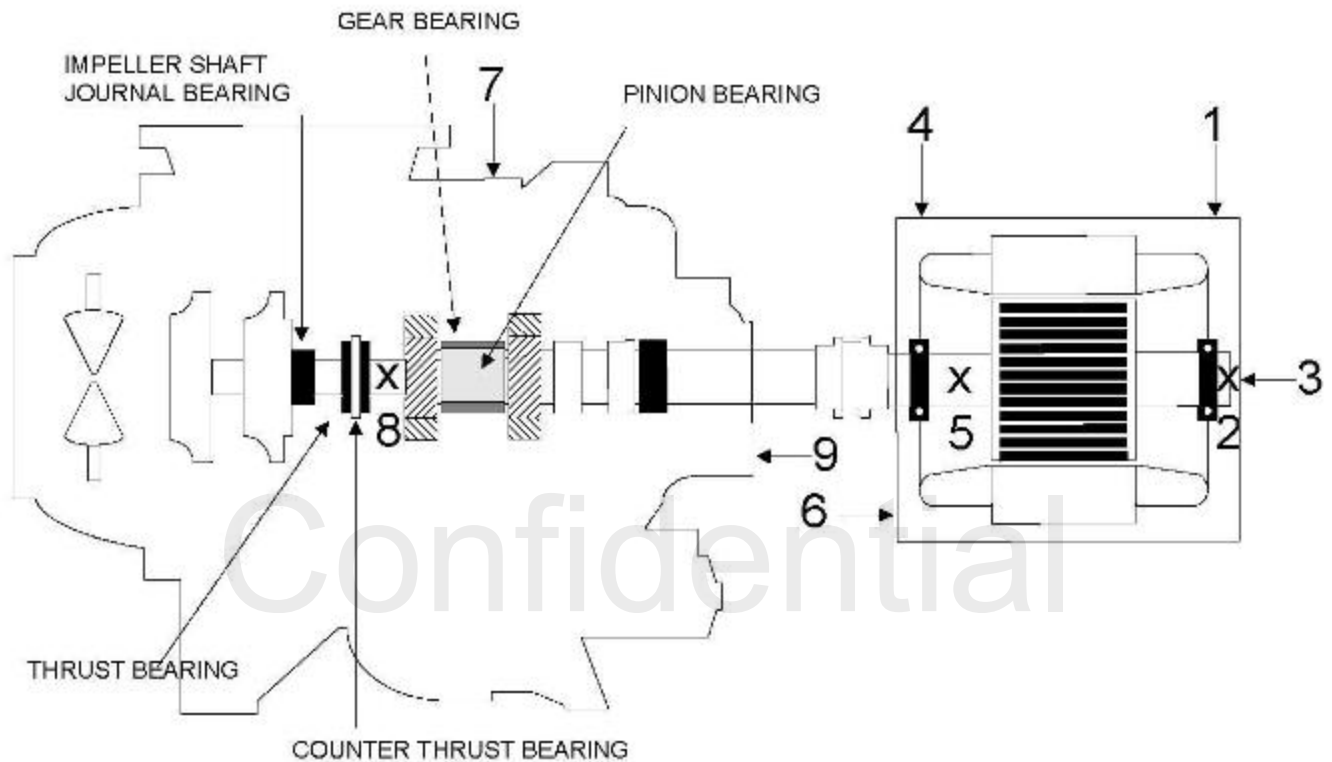


**\*SENSOR MOUNTING TABS REQUIRED**

## MEASUREMENT POINTS

- |                         |                            |
|-------------------------|----------------------------|
| 1 - Motor Vertical      | 10 - Si/Compr Vertical     |
| 2 - Motor Horizontal    | 11 - Si/Compr Horizontal   |
| 3 - Motor Axial         | 12 - Si/Compr Axial        |
| 4 - Motor/Si Vertical   | 13 - Compr/Si Vertical     |
| 5 - Motor/Si Horizontal | 14 - Compr/Si Horizontal   |
| 6 - Motor/Si Axial      | 15 - Compr/Si Axial        |
| 7 - Si/Motor Vertical   | 16 - Compressor Vertical   |
| 8 - Si/Motor Horizontal | 17 - Compressor Horizontal |
| 9 - Si/Motor Axial      | 18 - Compressor Axial      |

# CARRIER 17F

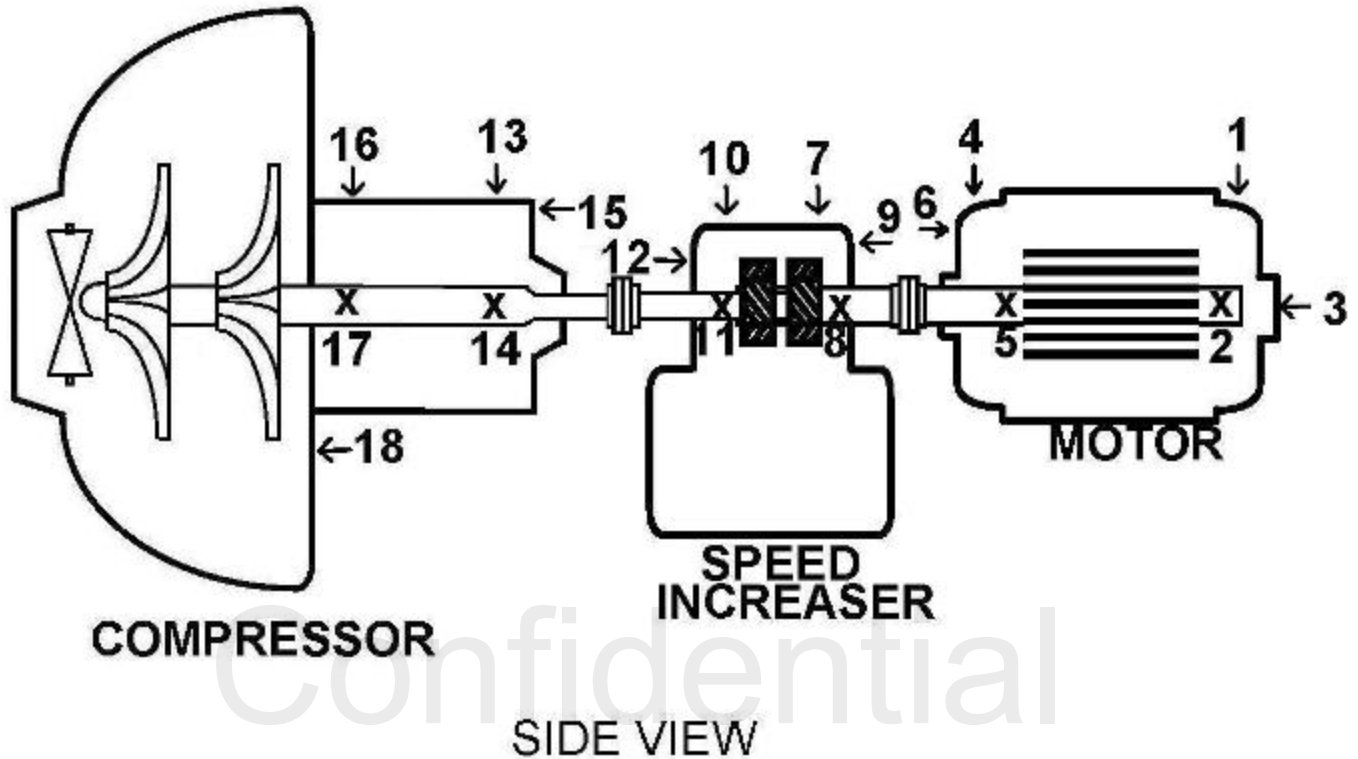


**\*SENSOR MOUNTING TABS REQUIRED**

## MEASUREMENT POINTS

- |                       |                           |
|-----------------------|---------------------------|
| 1 - Motor Vertical    | 6 - Mo/Com Axial          |
| 2 - Motor Horizontal  | 7 - Compressor Vertical   |
| 3 - Motor Axial       | 8 - Compressor Horizontal |
| 4 - Mo/Com Vertical   | 9 - Compressor Axial      |
| 5 - Mo/Com Horizontal |                           |

# CARRIER 17FA

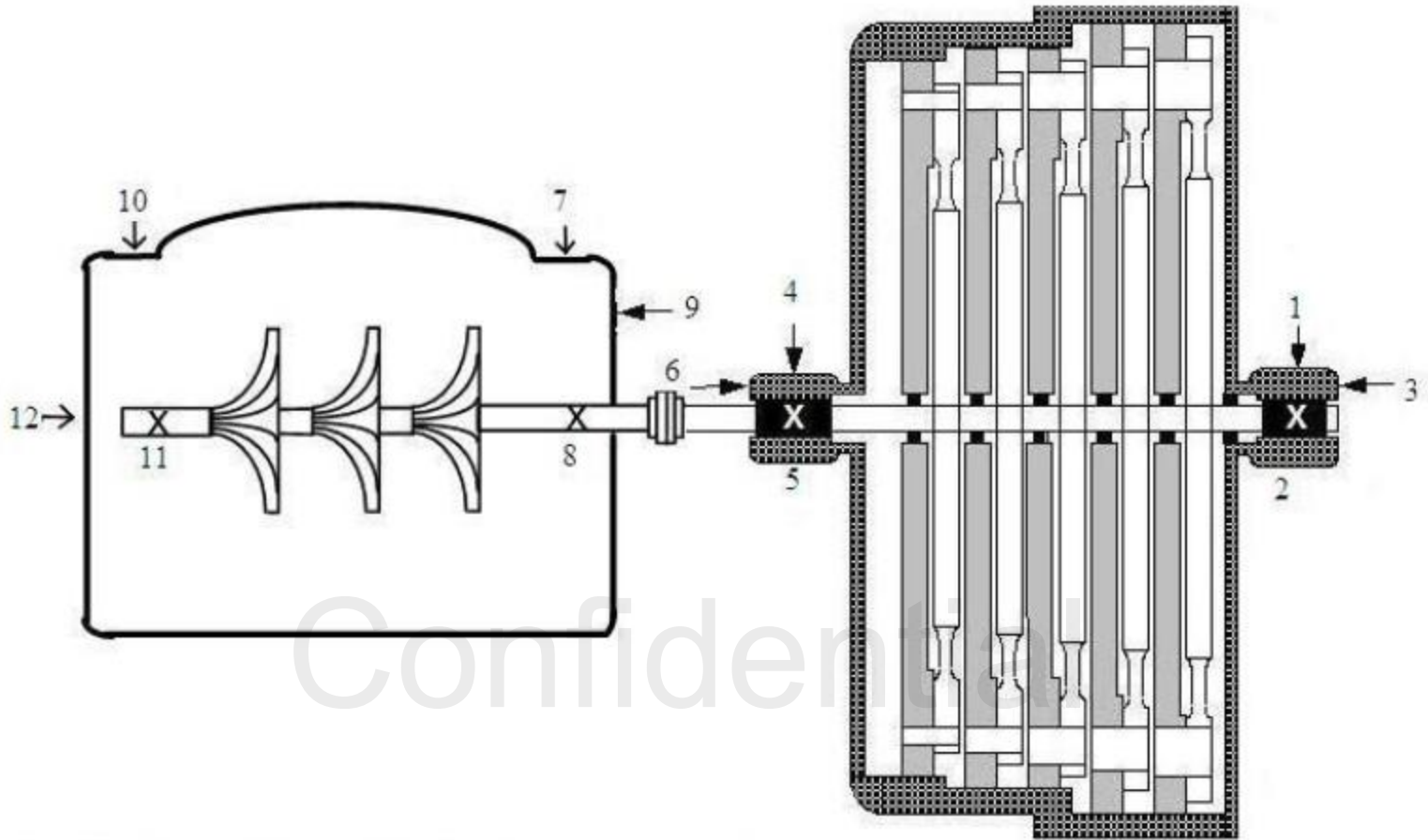


**\*SENSOR MOUNTING TABS REQUIRED**

## MEASUREMENT POINTS

- |                        |                            |
|------------------------|----------------------------|
| 1 - Motor Vertical     | 10 - SI/ComprVertical      |
| 2 - Motor Horizontal   | 11 - SI/ComprHorizontal    |
| 3 - Motor Axial        | 12 - SI/ComprAxial         |
| 4 - Motor/SIVertical   | 13 - Compr/SIVertical      |
| 5 - Motor/SIHorizontal | 14 - Compr/SIHorizontal    |
| 6 - Motor/SIAxial      | 15 - Compr/SIAxial         |
| 7 - SI/MotorVertical   | 16 - Compressor Vertical   |
| 8 - SI/MotorHorizontal | 17 - Compressor Horizontal |
| 9 - SI/MotorAxial      | 18 - Compressor Axial      |

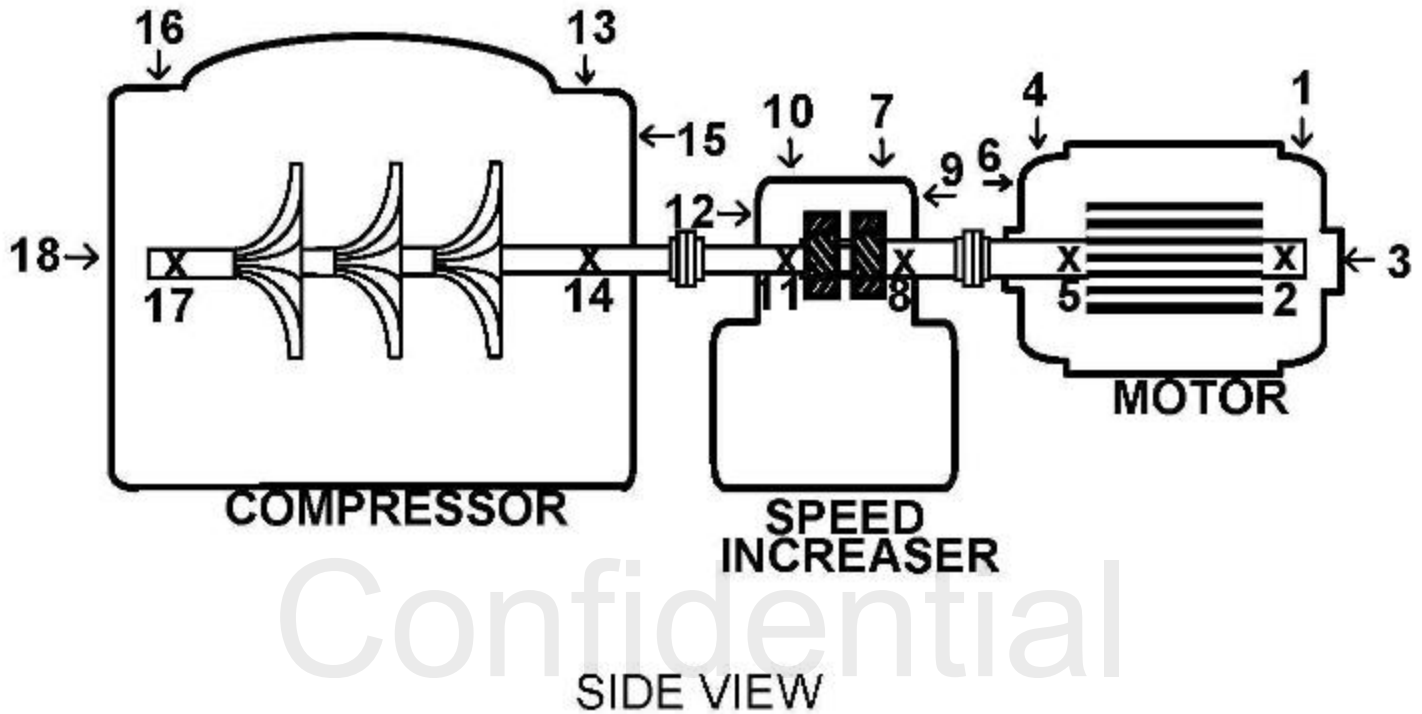
# 17M TURBINE



- 1 - Turbine Off-end Vertical
- 2 - Turbine Off-end Horizontal
- 3 - Turbine Off-end Axial
- 4 - Turbine Drive-end Vertical
- 5 - Turbine Drive-end Horizontal
- 6 - Turbine Drive-end Axial

- 7 - Compressor Inboard Vertical
- 8 - Compressor Inboard Horizontal
- 9 - Compressor Inboard Axial
- 10 - Compressor Outboard Vertical
- 11 - Compressor Outboard Horizontal
- 12 - Compressor Outboard Axial

# CARRIER 17M

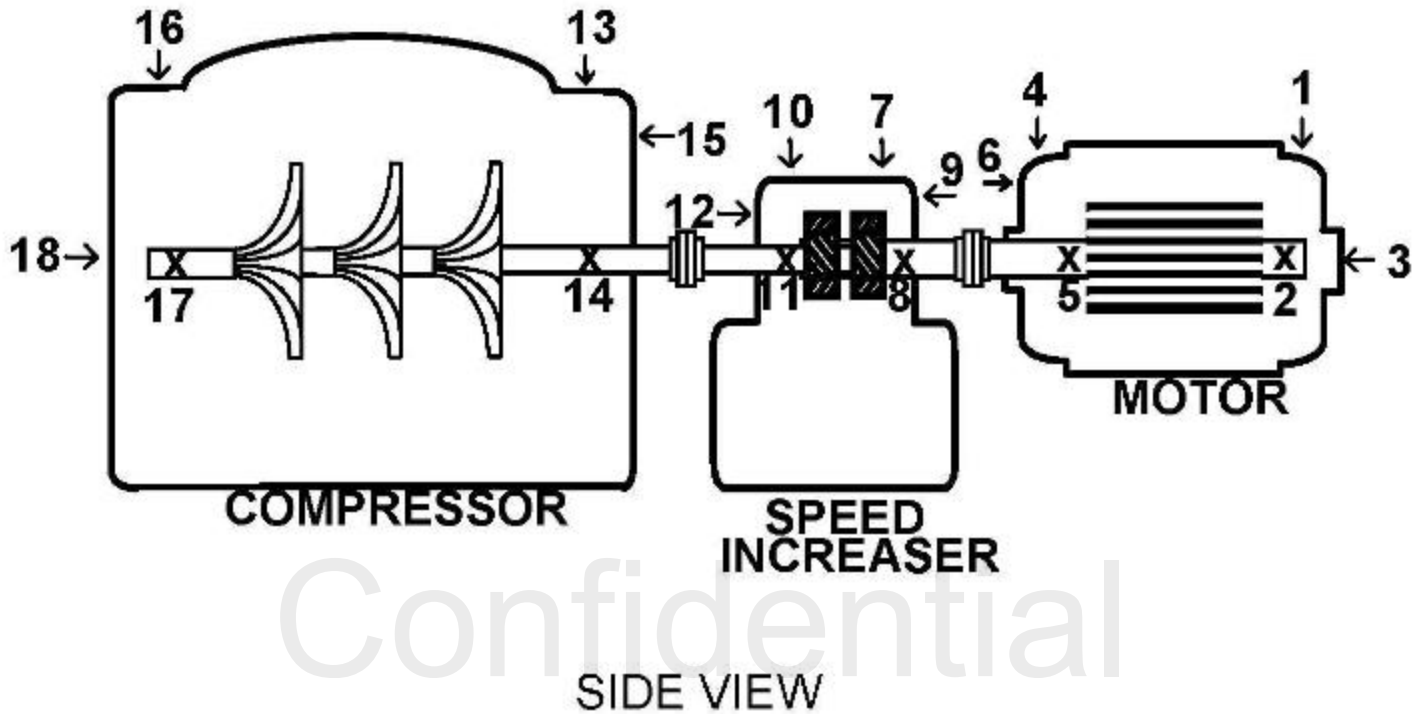


**\*SENSOR MOUNTING TABS REQUIRED**

## MEASUREMENT POINTS

- |                         |                            |
|-------------------------|----------------------------|
| 1 - Motor Vertical      | 10 - Si/Compr Vertical     |
| 2 - Motor Horizontal    | 11 - Si/Compr Horizontal   |
| 3 - Motor Axial         | 12 - Si/Compr Axial        |
| 4 - Motor/Si Vertical   | 13 - Compr/Si Vertical     |
| 5 - Motor/Si Horizontal | 14 - Compr/Si Horizontal   |
| 6 - Motor/Si Axial      | 15 - Compr/Si Axial        |
| 7 - Si/Motor Vertical   | 16 - Compressor Vertical   |
| 8 - Si/Motor Horizontal | 17 - Compressor Horizontal |
| 9 - Si/Motor Axial      | 18 - Compressor Axial      |

# CARRIER 17P

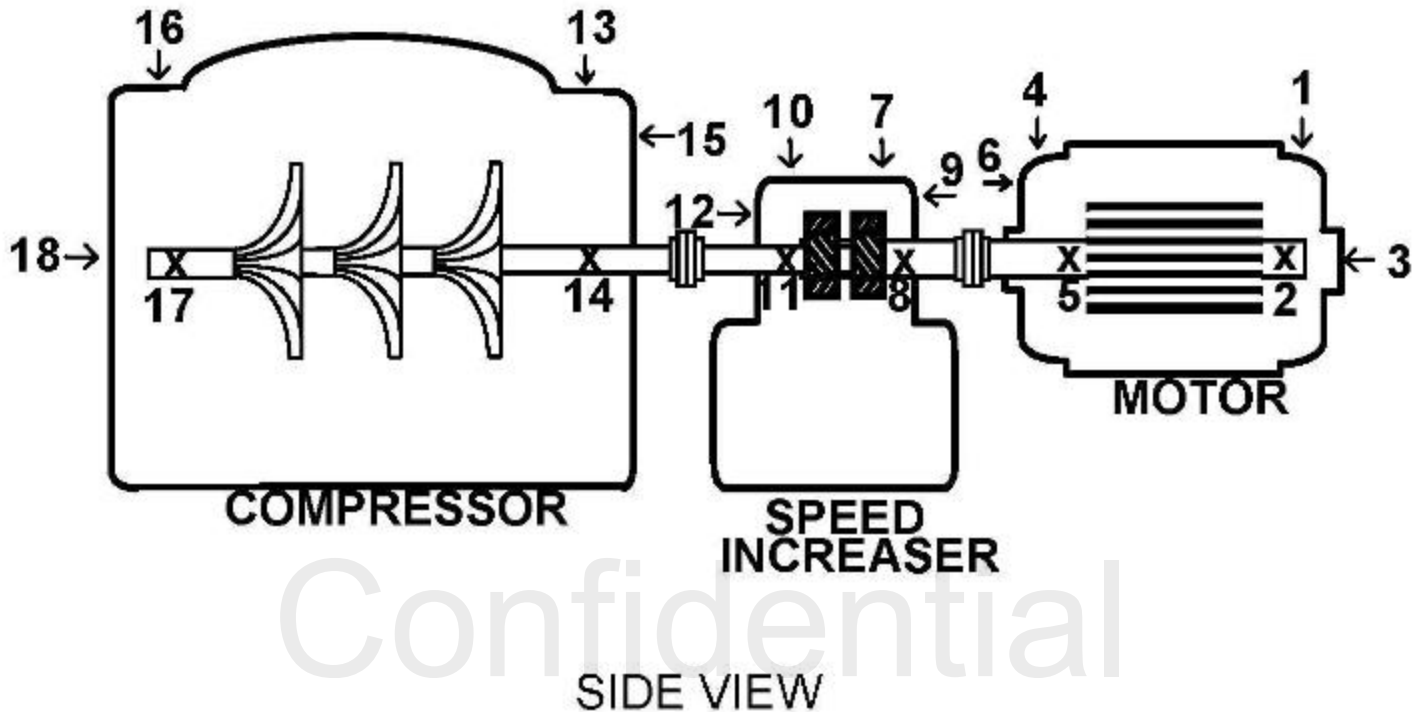


**\*SENSOR MOUNTING TABS REQUIRED**

## MEASUREMENT POINTS

- |                         |                            |
|-------------------------|----------------------------|
| 1 - Motor Vertical      | 10 - Si/Compr Vertical     |
| 2 - Motor Horizontal    | 11 - Si/Compr Horizontal   |
| 3 - Motor Axial         | 12 - Si/Compr Axial        |
| 4 - Motor/Si Vertical   | 13 - Compr/Si Vertical     |
| 5 - Motor/Si Horizontal | 14 - Compr/Si Horizontal   |
| 6 - Motor/Si Axial      | 15 - Compr/Si Axial        |
| 7 - Si/Motor Vertical   | 16 - Compressor Vertical   |
| 8 - Si/Motor Horizontal | 17 - Compressor Horizontal |
| 9 - Si/Motor Axial      | 18 - Compressor Axial      |

# CARRIER 17S

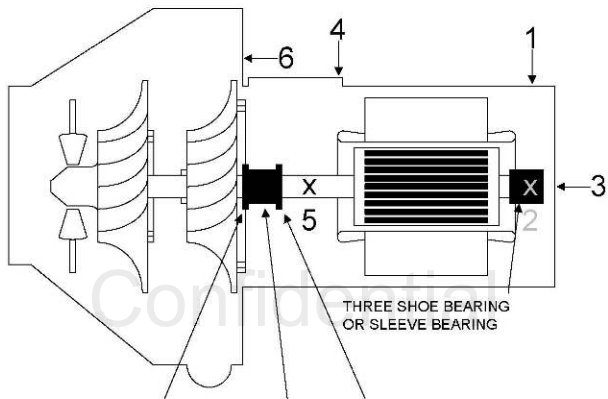


**\*SENSOR MOUNTING TABS REQUIRED**

## MEASUREMENT POINTS

- |                         |                            |
|-------------------------|----------------------------|
| 1 - Motor Vertical      | 10 - Si/Compr Vertical     |
| 2 - Motor Horizontal    | 11 - Si/Compr Horizontal   |
| 3 - Motor Axial         | 12 - Si/Compr Axial        |
| 4 - Motor/Si Vertical   | 13 - Compr/Si Vertical     |
| 5 - Motor/Si Horizontal | 14 - Compr/Si Horizontal   |
| 6 - Motor/Si Axial      | 15 - Compr/Si Axial        |
| 7 - Si/Motor Vertical   | 16 - Compressor Vertical   |
| 8 - Si/Motor Horizontal | 17 - Compressor Horizontal |
| 9 - Si/Motor Axial      | 18 - Compressor Axial      |

# CARRIER 19C

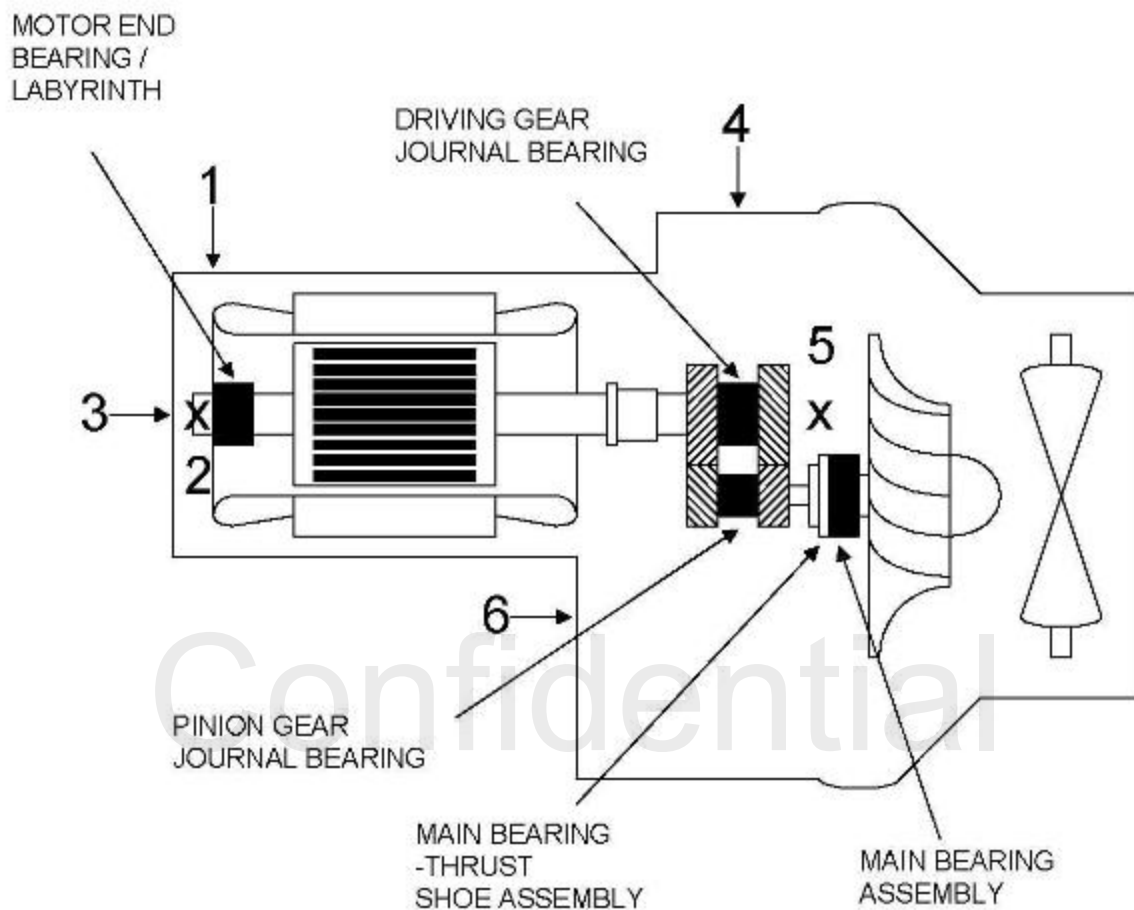


COUNTER THRUST, JOURNAL, THRUST BEARINGS

## MEASUREMENT POINTS

- |                      |                           |
|----------------------|---------------------------|
| 1 - Motor Vertical   | 4 - Compressor Vertical   |
| 2 - Motor Horizontal | 5 - Compressor Horizontal |
| 3 - Motor Axial      | 6 - Compressor Axial      |

# CARRIER 19D



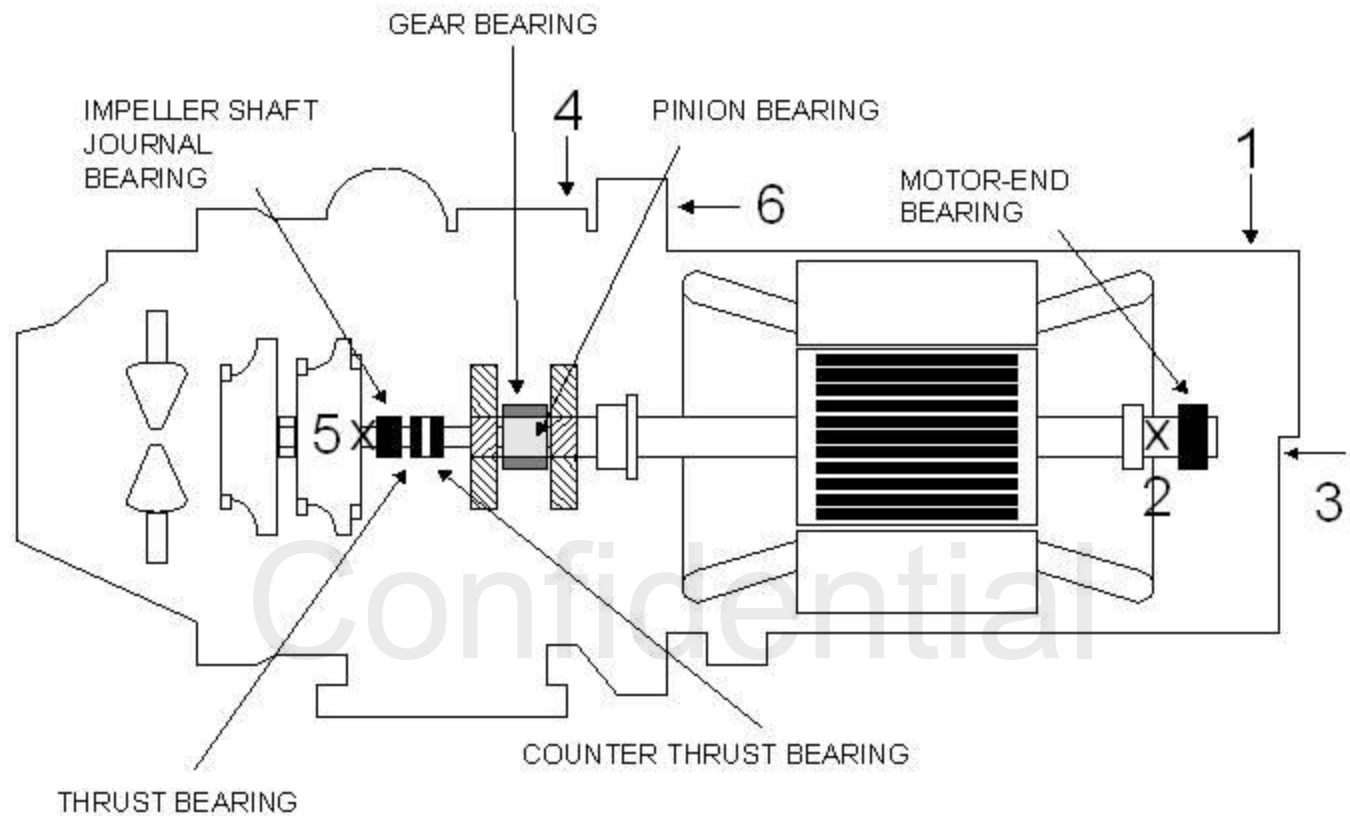
**\*SENSOR MOUNTING TABS REQUIRED**

## MEASUREMENT POINTS

- 1 - Motor Vertical
- 2 - Motor Horizontal
- 3 - Motor Axial

- 4 - Compressor Vertical
- 5 - Compressor Horizontal
- 6 - Compressor Axial

# CARRIER 19E

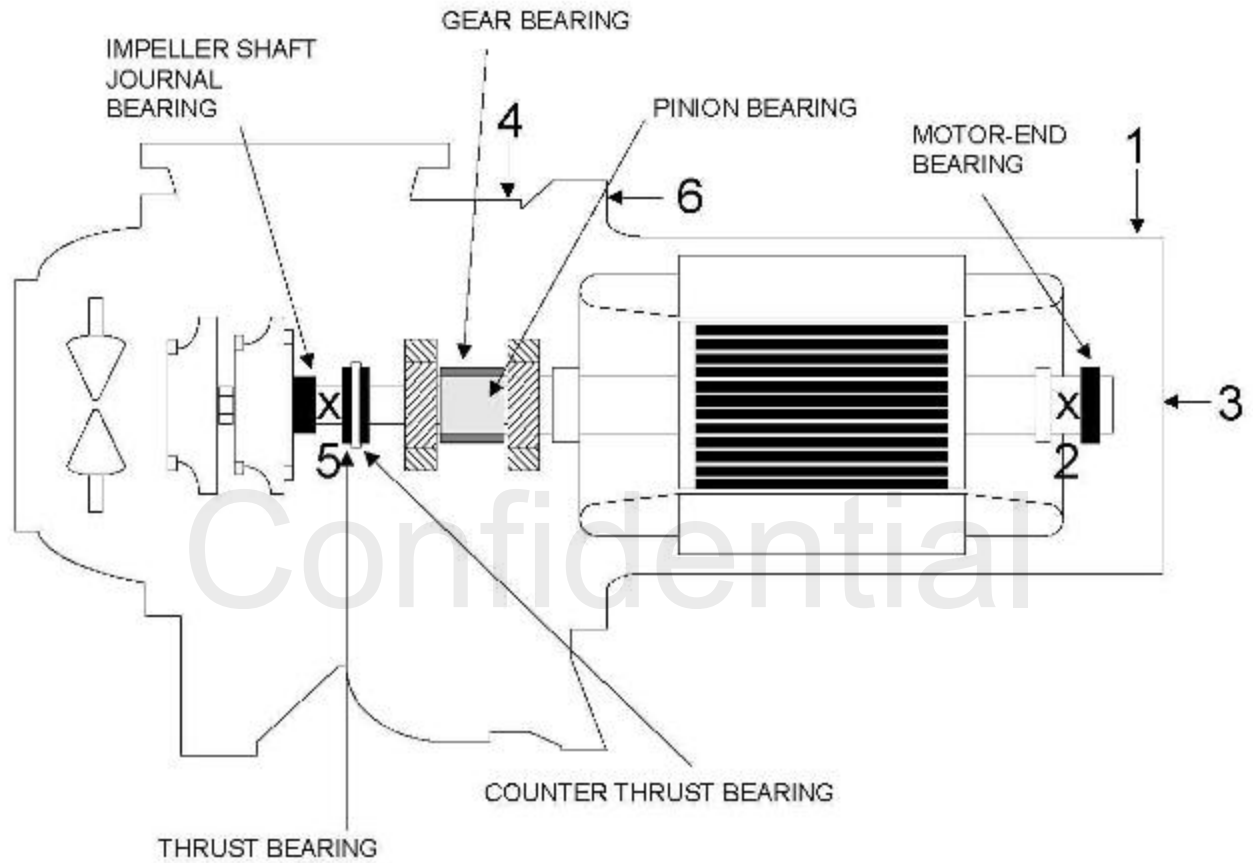


**\*SENSOR MOUNTING TABS REQUIRED**

## MEASUREMENT POINTS

- |                      |                           |
|----------------------|---------------------------|
| 1 - Motor Vertical   | 4 - Compressor Vertical   |
| 2 - Motor Horizontal | 5 - Compressor Horizontal |
| 3 - Motor Axial      | 6 - Compressor Axial      |

# CARRIER 19F

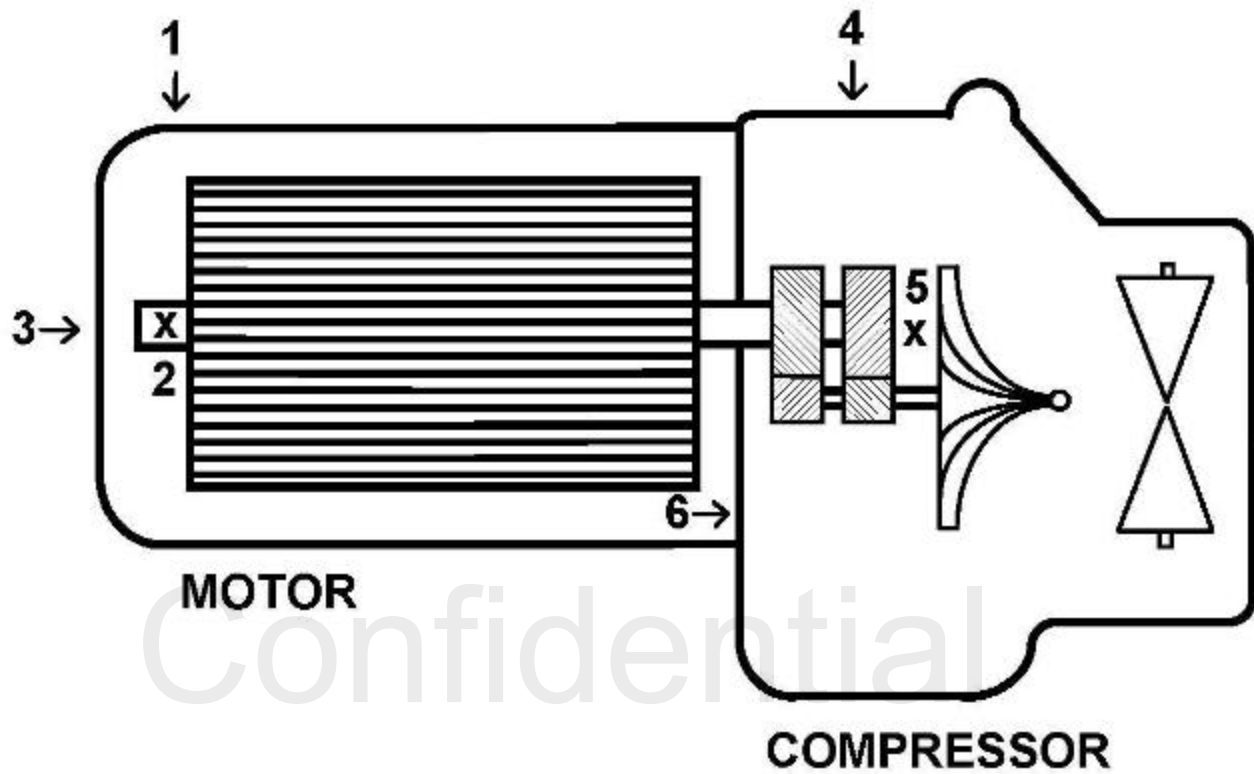


**\*SENSOR MOUNTING TABS REQUIRED**

## MEASUREMENT POINTS

- |                      |                           |
|----------------------|---------------------------|
| 1 - Motor Vertical   | 4 - Compressor Vertical   |
| 2 - Motor Horizontal | 5 - Compressor Horizontal |
| 3 - Motor Axial      | 6 - Compressor Axial      |

# CARRIER 19H



SIDE VIEW

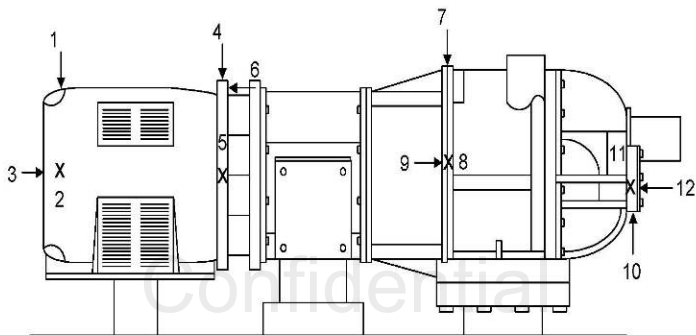
**\*SENSOR MOUNTING TABS REQUIRED**

## MEASUREMENT POINTS

- 1 - Motor Vertical
- 2 - Motor Horizontal
- 3 - Motor Axial

- 4 - Compressor Vertical
- 5 - Compressor Horizontal
- 6 - Compressor Axial

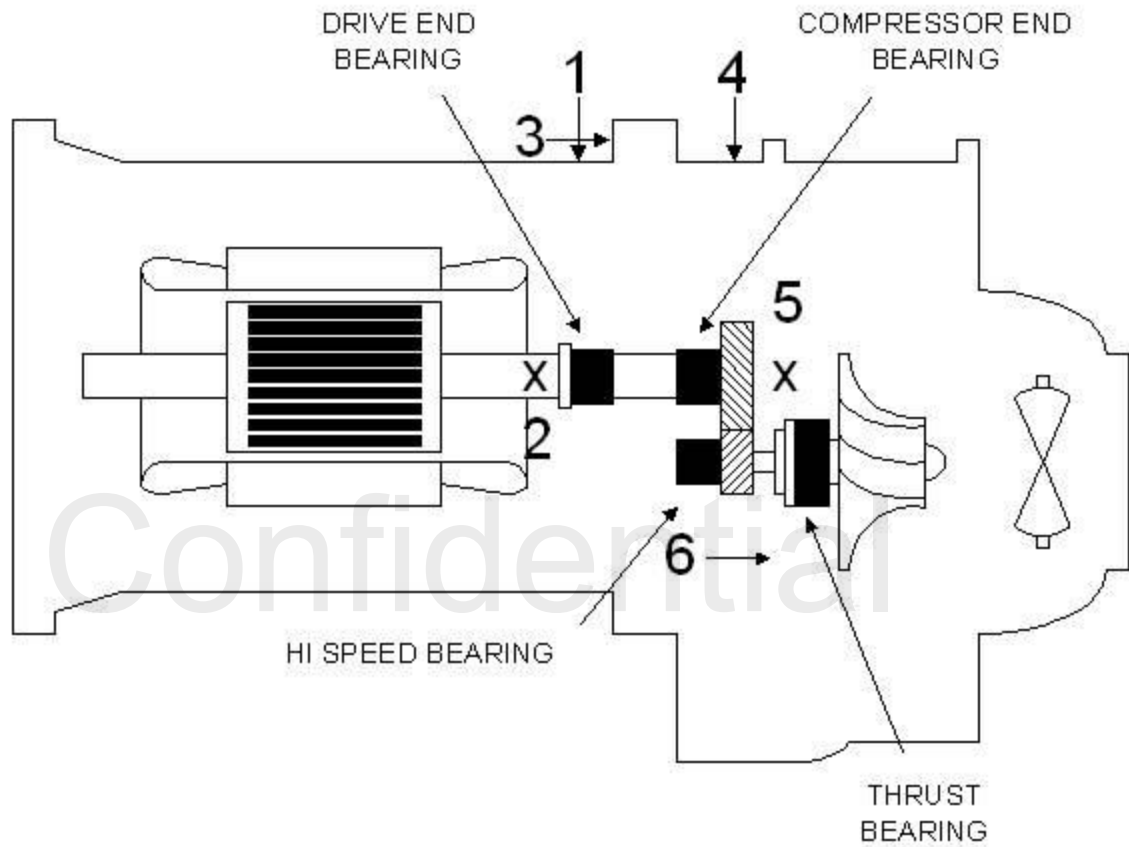
# FES 19ME



## MEASUREMENT POINTS

- |                      |                       |
|----------------------|-----------------------|
| 1 - MOTOF Vertical   | 7 - COMIB Vertical    |
| 2 - MOTOF Horizontal | 8 - COMIB Horizontal  |
| 3 - MOTOF Axial      | 9 - COMIB Axial       |
| 4 - MOTDR Vertical   | 10 - COMOB Vertical   |
| 5 - MOTDR Horizontal | 11 - COMOB Horizontal |
| 6 - MOTDR Axial      | 12 - COMOB Axial      |

# CARRIER 19X



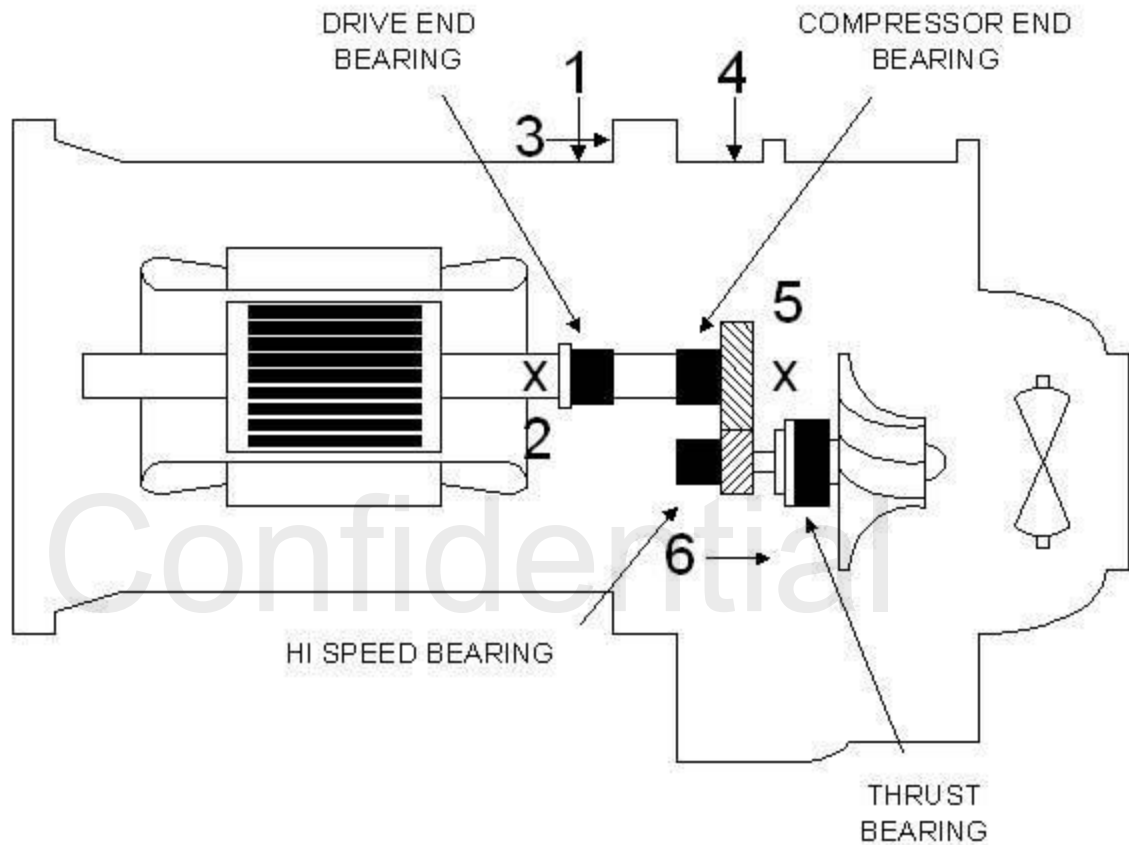
**\*SENSOR MOUNTING TABS REQUIRED**

## MEASUREMENT POINTS

- 1 - Motor Vertical
- 2 - Motor Horizontal
- 3 - Motor Axial

- 4 - Compressor Vertical
- 5 - Compressor Horizontal
- 6 - Compressor Axial

# CARRIER 19XL



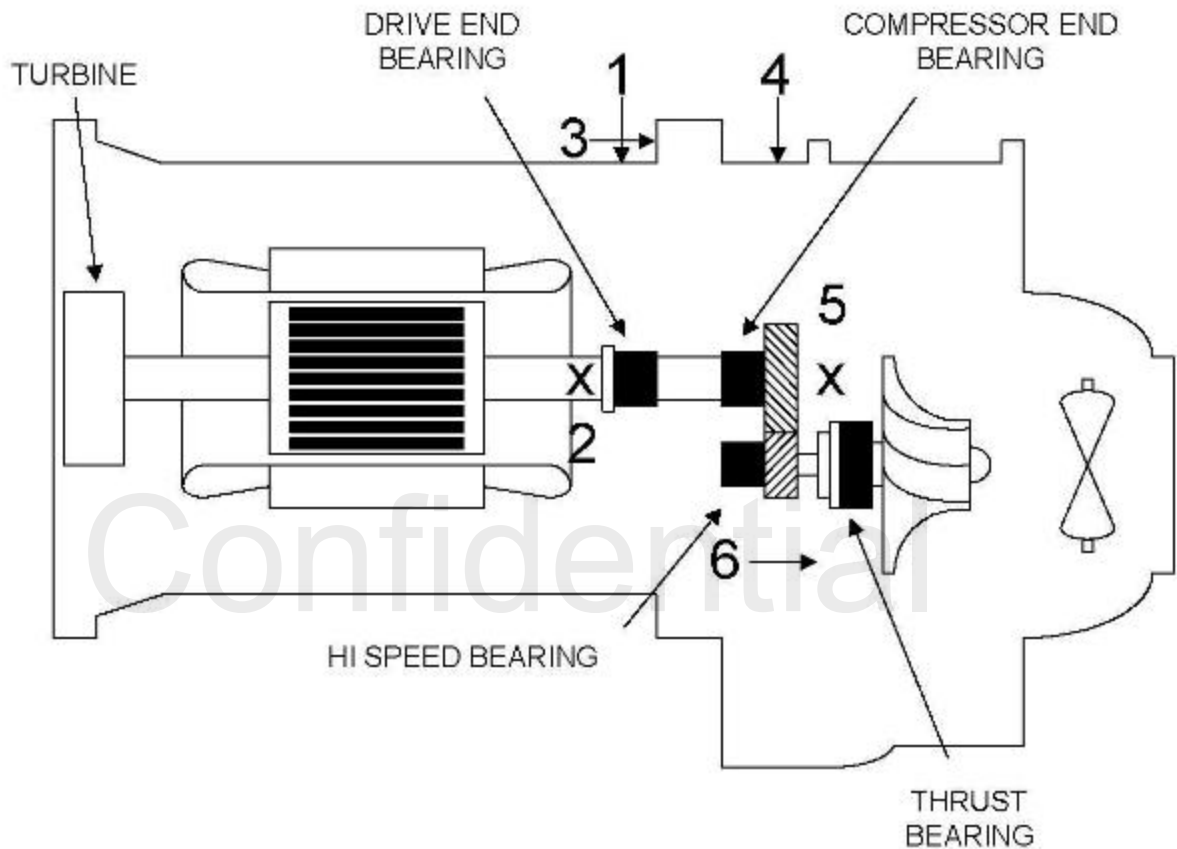
**\*SENSOR MOUNTING TABS REQUIRED**

## MEASUREMENT POINTS

- 1 - Motor Vertical
- 2 - Motor Horizontal
- 3 - Motor Axial

- 4 - Compressor Vertical
- 5 - Compressor Horizontal
- 6 - Compressor Axial

# CARRIER 19XT



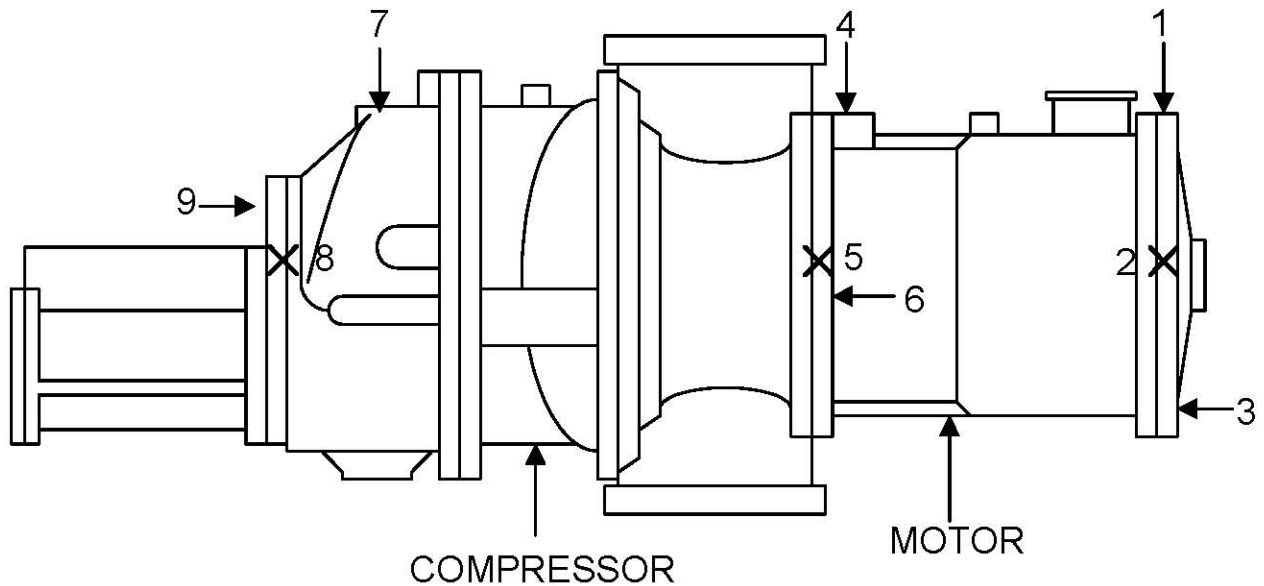
**\*SENSOR MOUNTING TABS REQUIRED**

## MEASUREMENT POINTS

- 1 - Motor Vertical
- 2 - Motor Horizontal
- 3 - Motor Axial

- 4 - Compressor Vertical
- 5 - Compressor Horizontal
- 6 - Compressor Axial

# CARRIER 23XL

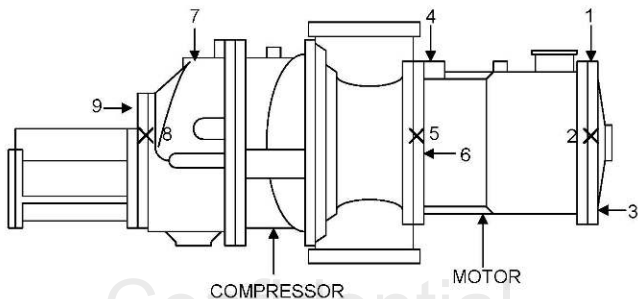


Side View

## MEASUREMENT POINTS

- |                      |                           |
|----------------------|---------------------------|
| 1 - Motor Vertical   | 6 - Mocom Axial           |
| 2 - Motor Horizontal | 7 - Compressor Vertical   |
| 3 - Motor Axial      | 8 - Compressor Horizontal |
| 4 - Mocom Vertical   | 9 - Compressor Axial      |
| 5 - Mocom Horizontal |                           |

# CARRIER 23XRV

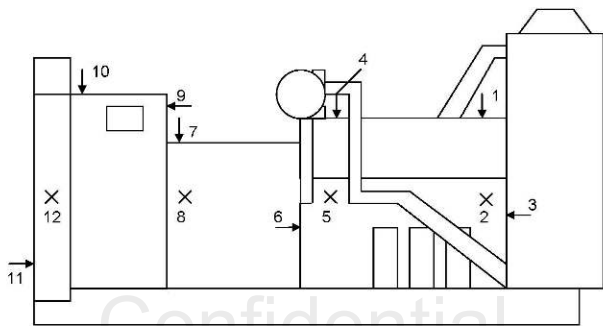


Side View

## MEASUREMENT POINTS

- |                      |                           |
|----------------------|---------------------------|
| 1 - Motor Vertical   | 6 - Mocom Axial           |
| 2 - Motor Horizontal | 7 - Compressor Vertical   |
| 3 - Motor Axial      | 8 - Compressor Horizontal |
| 4 - Mocom Vertical   | 9 - Compressor Axial      |
| 5 - Mocom Horizontal |                           |

# CATERPILLAR GENERATOR

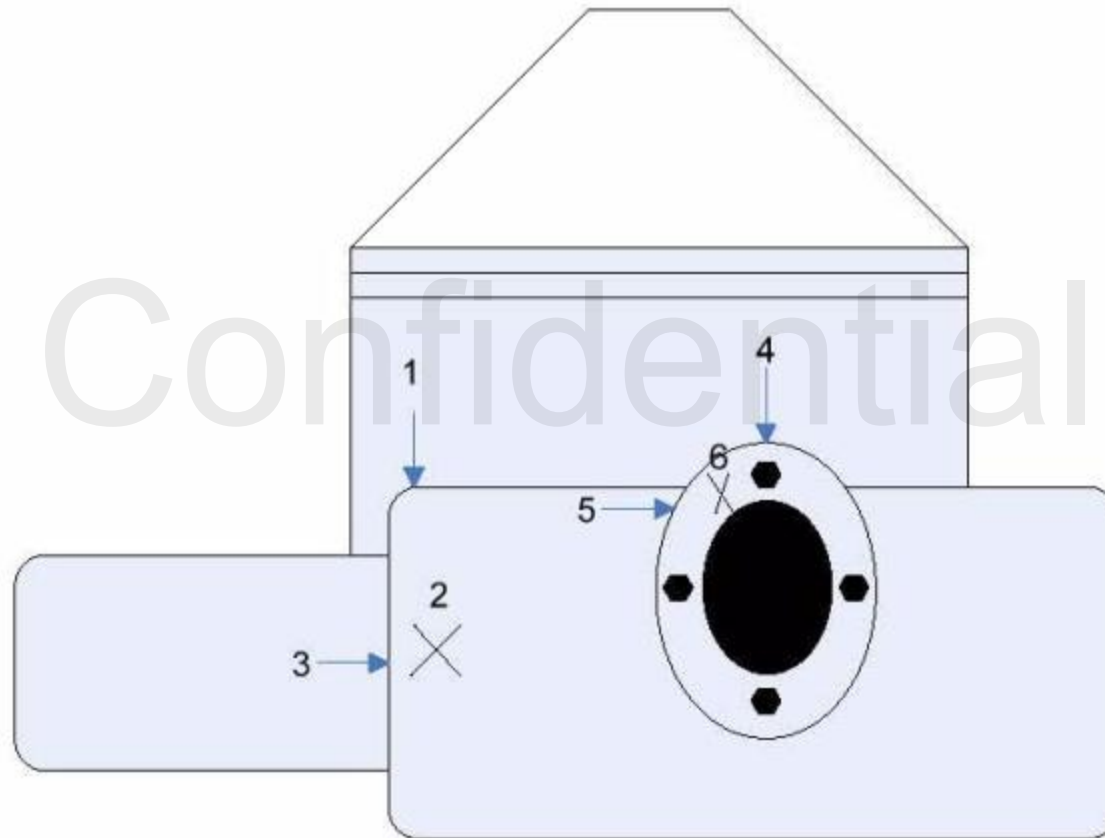


Side View

## MEASUREMENT POINTS

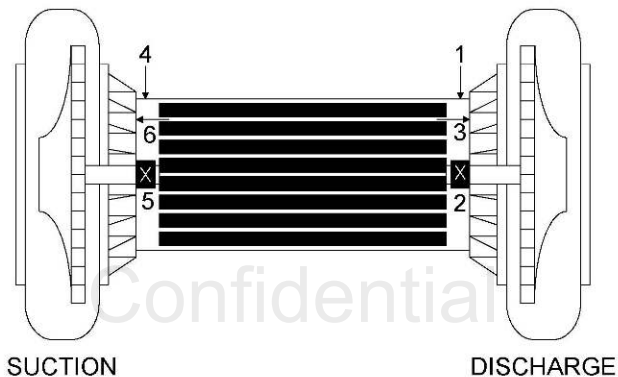
- |                               |                                    |
|-------------------------------|------------------------------------|
| 1 – Motor Outboard Vertical   | 7 – Generator Inboard Vertical     |
| 2 – Motor Outboard Horizontal | 8 – Generator Inboard Horizontal   |
| 3 – Motor Outboard Axial      | 9 – Generator Inboard Axial        |
| 4 – Motor Drive Vertical      | 10 – Generator Outboard Vertical   |
| 5 – Motor Drive Horizontal    | 11 – Generator Outboard Horizontal |
| 6 – Motor Drive Axial         | 12 – Generator Outboard Axial      |

# Separator Schematic



- 1.GIV Gearbox input shaft vertical
- 2.GIH Gearbox input shaft horizontal
- 3.GIA Gearbox input shaft axial
- 4.GOV Gearbox output shaft vertical
- 5.GOH Gearbox output shaft horizontal
- 6.GOA Gearbox output shaft axial

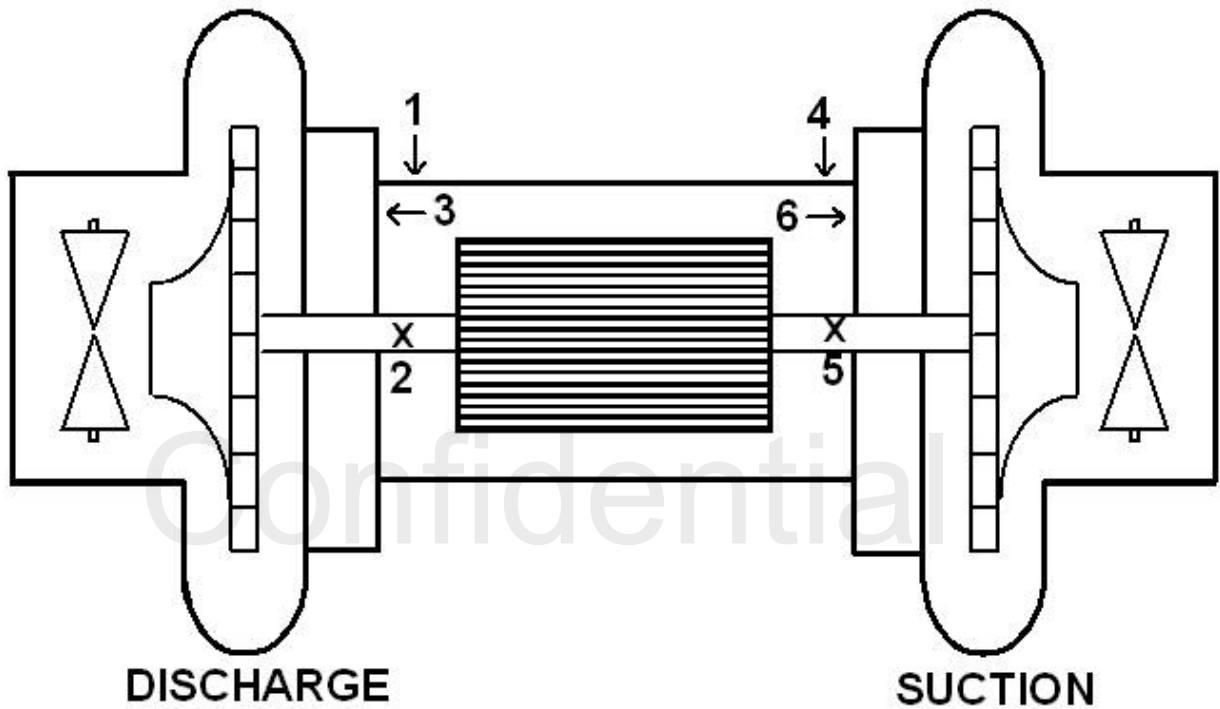
# CHRYSLER AIRTEMP



## MEASUREMENT POINTS

- |                          |                        |
|--------------------------|------------------------|
| 1 - Discharge Vertical   | 4 - Suction Vertical   |
| 2 - Discharge Horizontal | 5 - Suction Horizontal |
| 3 - Discharge Axial      | 6 - Suction Axial      |

# CHRYSLER

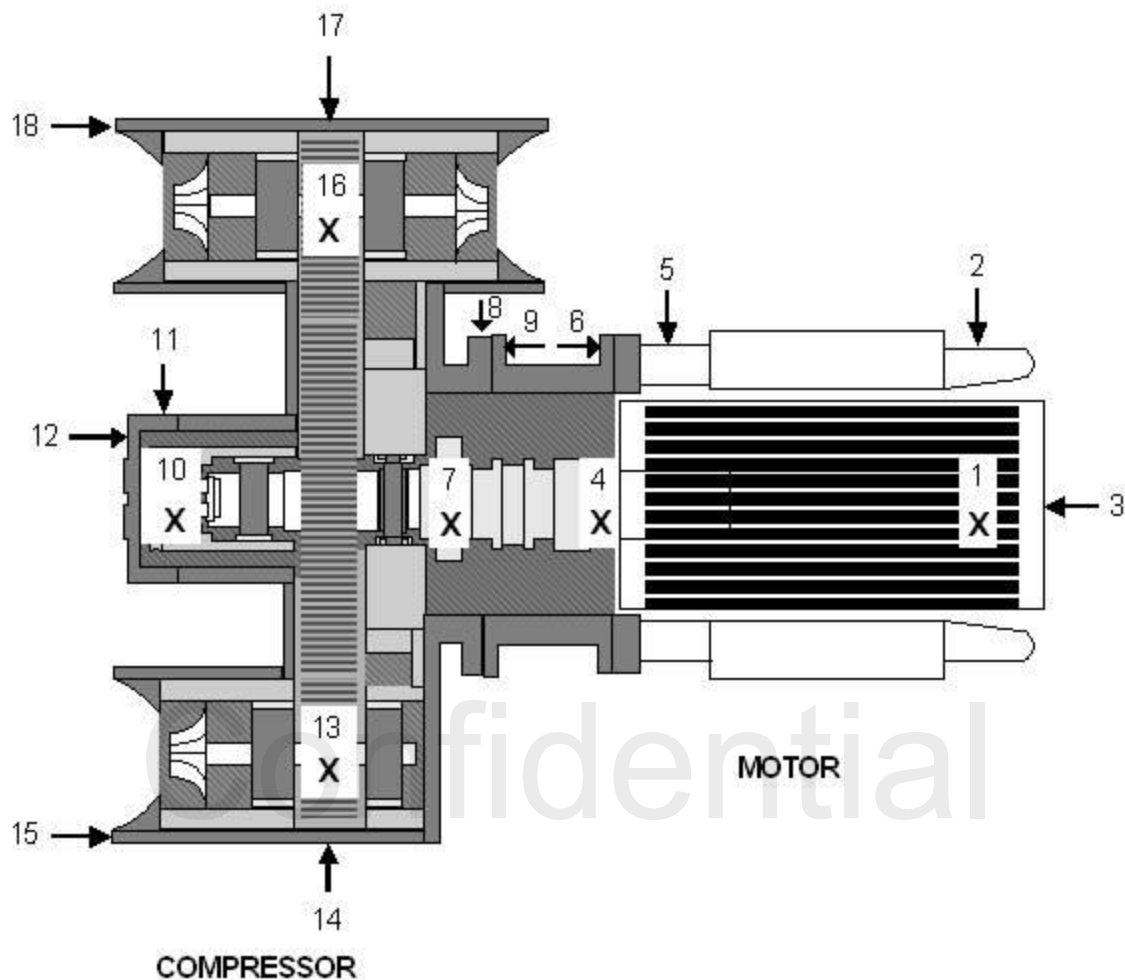


SIDE VIEW

## MEASUREMENT POINTS

- |                          |                        |
|--------------------------|------------------------|
| 1 - Discharge Vertical   | 4 - Suction Vertical   |
| 2 - Discharge Horizontal | 5 - Suction Horizontal |
| 3 - Discharge Axial      | 6 - Suction Axial      |

# CLARK 4500



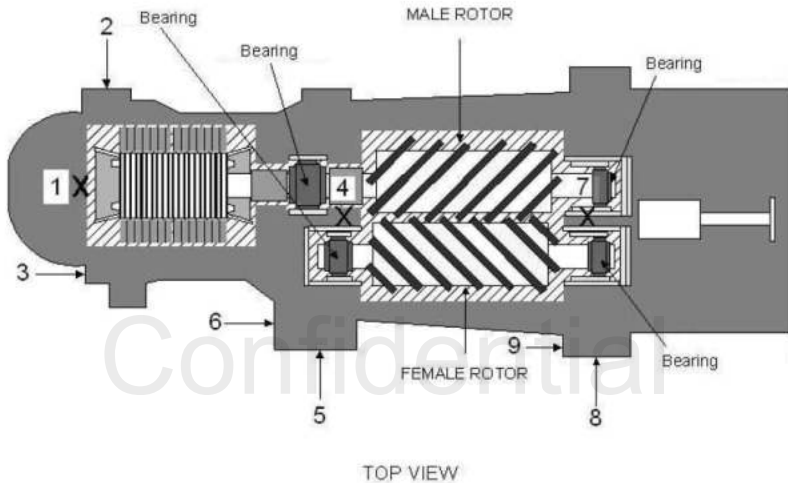
SIDE VIEW

**\*SENSOR MOUNTING TABS REQUIRED**

## MEASUREMENT POINTS

- |                                  |                                    |
|----------------------------------|------------------------------------|
| 1) MOTOR OFF-END VERTICAL        | 10) COMPRESSOR OUTBOARD VERTICAL   |
| 2) MOTOR OFF-END HORIZONTAL      | 11) COMPRESSOR OUTBOARD HORIZONTAL |
| 3) MOTOR OFF-END AXIAL           | 12) COMPRESSOR OUTBOARD AXIAL      |
| 4) MOTOR DRIVE-END VERTICAL      | 13) 1-2 STAGE VERTICAL             |
| 5) MOTOR DRIVE-END HORIZONTAL    | 14) 1-2 STAGE HORIZONTAL           |
| 6) MOTOR DRIVE-END AXIAL         | 15) 1-2 STAGE AXIAL                |
| 7) COMPRESSOR INBOARD VERTICAL   | 16) 3 STAGE VERTICAL               |
| 8) COMPRESSOR INBOARD HORIZONTAL | 17) 3 STAGE HORIZONTAL             |
| 9) COMPRESSOR INBOARD AXIAL      | 18) 3 STAGE AXIAL                  |

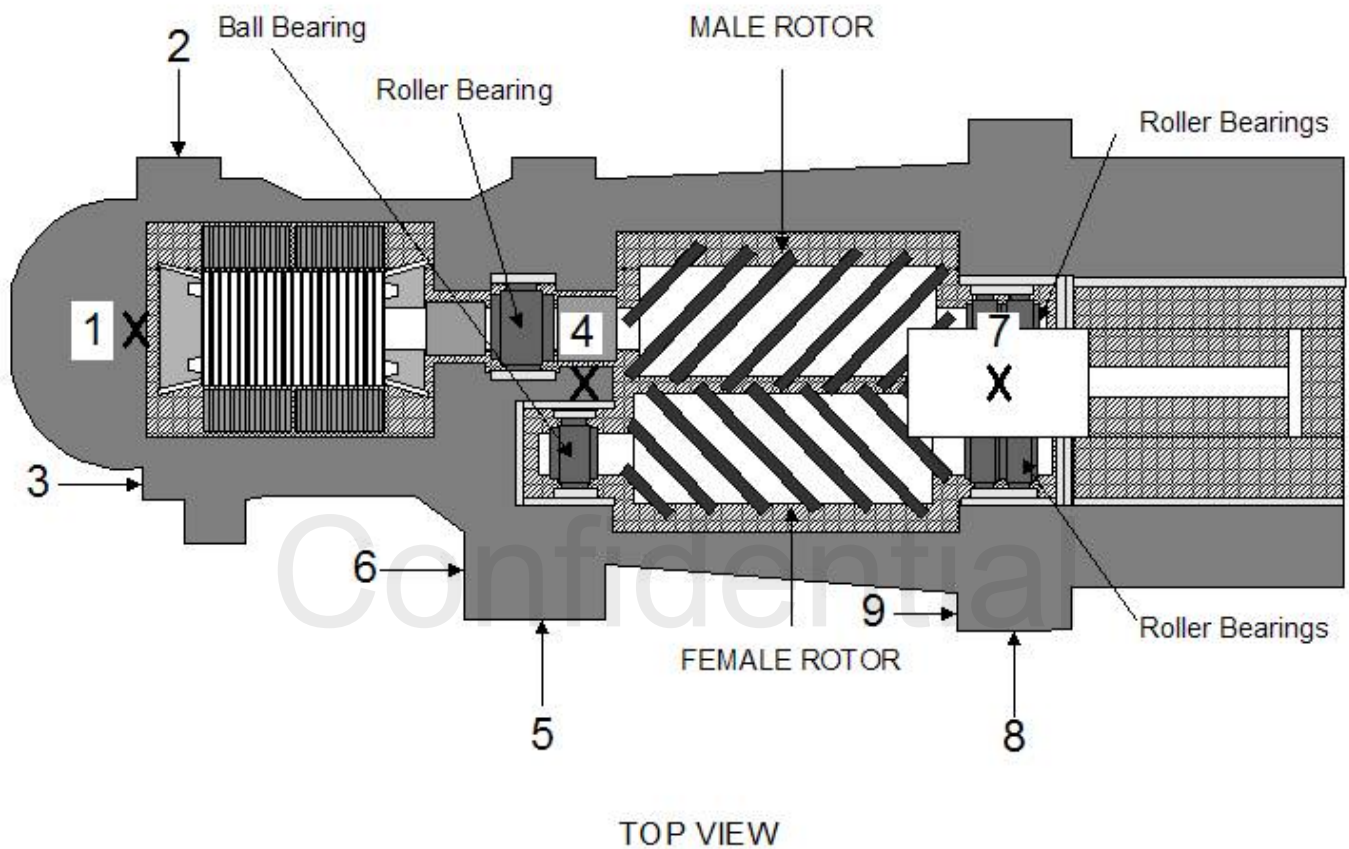
# CompAir



## MEASUREMENT POINTS

- |                      |                           |
|----------------------|---------------------------|
| 1 - Motor Vertical   | 6 - Mocom Axial           |
| 2 - Motor Horizontal | 7 - Compressor Vertical   |
| 3 - Motor Axial      | 8 - Compressor Horizontal |
| 4 - Mocom Vertical   | 9 - Compressor Axial      |
| 5 - Mocom Horizontal |                           |

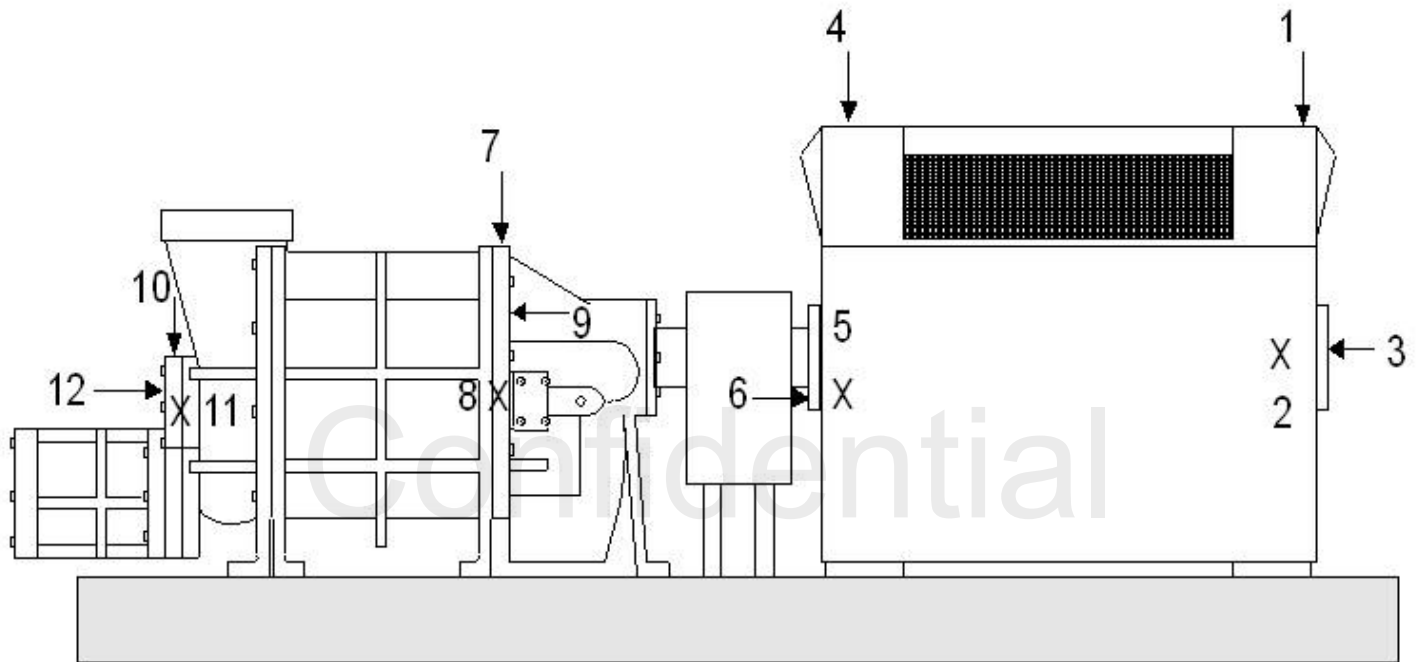
# Copeland SCHI



## MEASUREMENT POINTS

- |                      |                           |
|----------------------|---------------------------|
| 1 - Motor Vertical   | 6 - Mocom Axial           |
| 2 - Motor Horizontal | 7 - Compressor Vertical   |
| 3 - Motor Axial      | 8 - Compressor Horizontal |
| 4 - Mocom Vertical   | 9 - Compressor Axial      |
| 5 - Mocom Horizontal |                           |

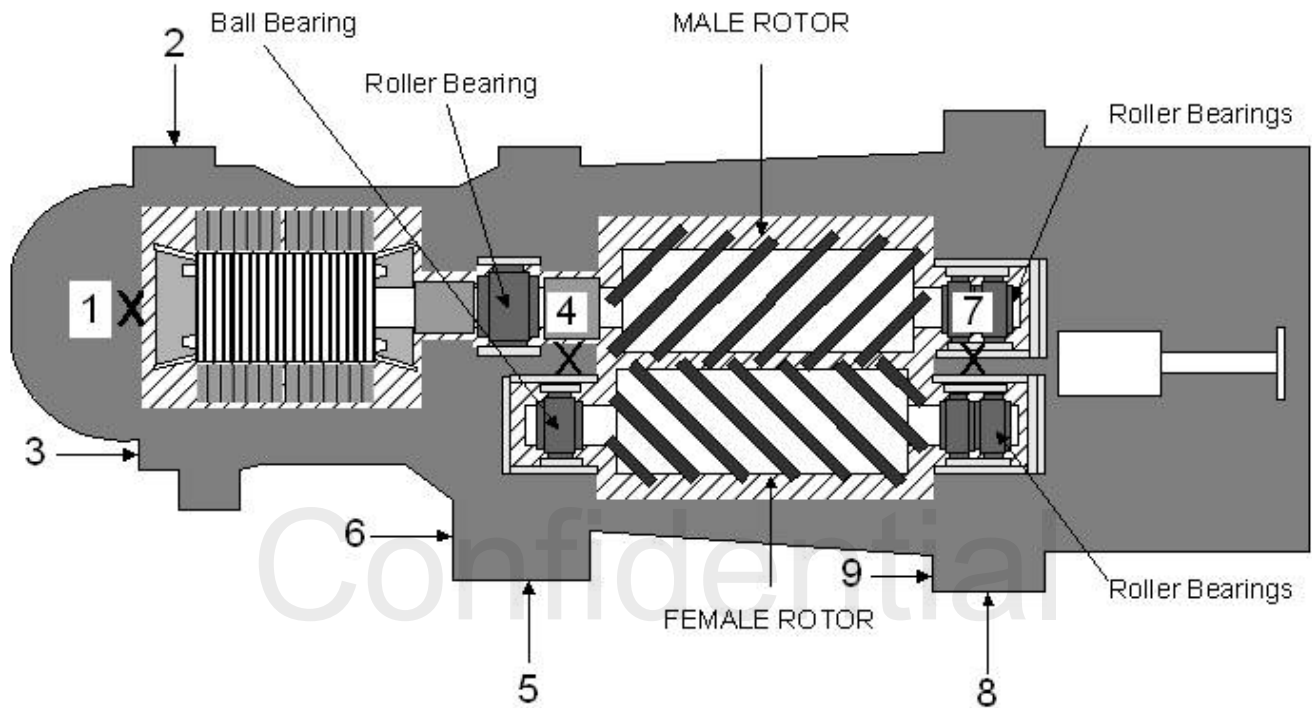
# DUNHAM-BUSH



## MEASUREMENT POINTS

- |                      |                       |
|----------------------|-----------------------|
| 1 - MOTOF Vertical   | 7 - COMIB Vertical    |
| 2 - MOTOF Horizontal | 8 - COMIB Horizontal  |
| 3 - MOTOF Axial      | 9 - COMIB Axial       |
| 4 - MOTDR Vertical   | 10 - COMOB Vertical   |
| 5 - MOTDR Horizontal | 11 - COMOB Horizontal |
| 6 - MOTDR Axial      | 12 - COMOB Axial      |

# DUNHAM-BUSH

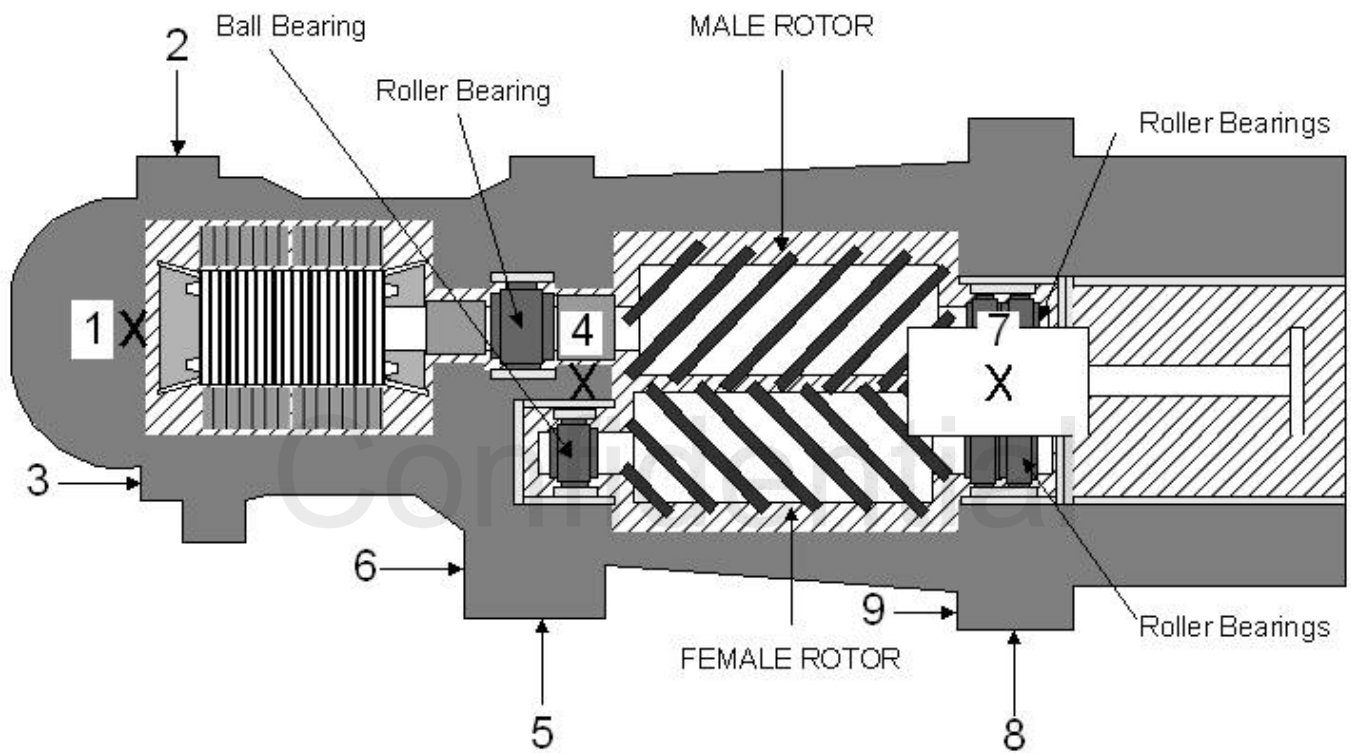


TOP VIEW

## MEASUREMENT POINTS

- |                      |                           |
|----------------------|---------------------------|
| 1 - Motor Vertical   | 6 - Mocom Axial           |
| 2 - Motor Horizontal | 7 - Compressor Vertical   |
| 3 - Motor Axial      | 8 - Compressor Horizontal |
| 4 - Mocom Vertical   | 9 - Compressor Axial      |
| 5 - Mocom Horizontal |                           |

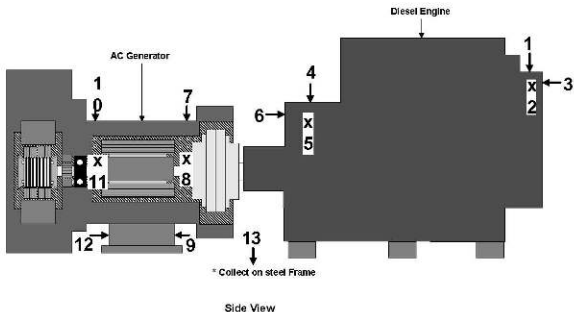
# Dunham Busch SCUX



TOP VIEW

## MEASUREMENT POINTS

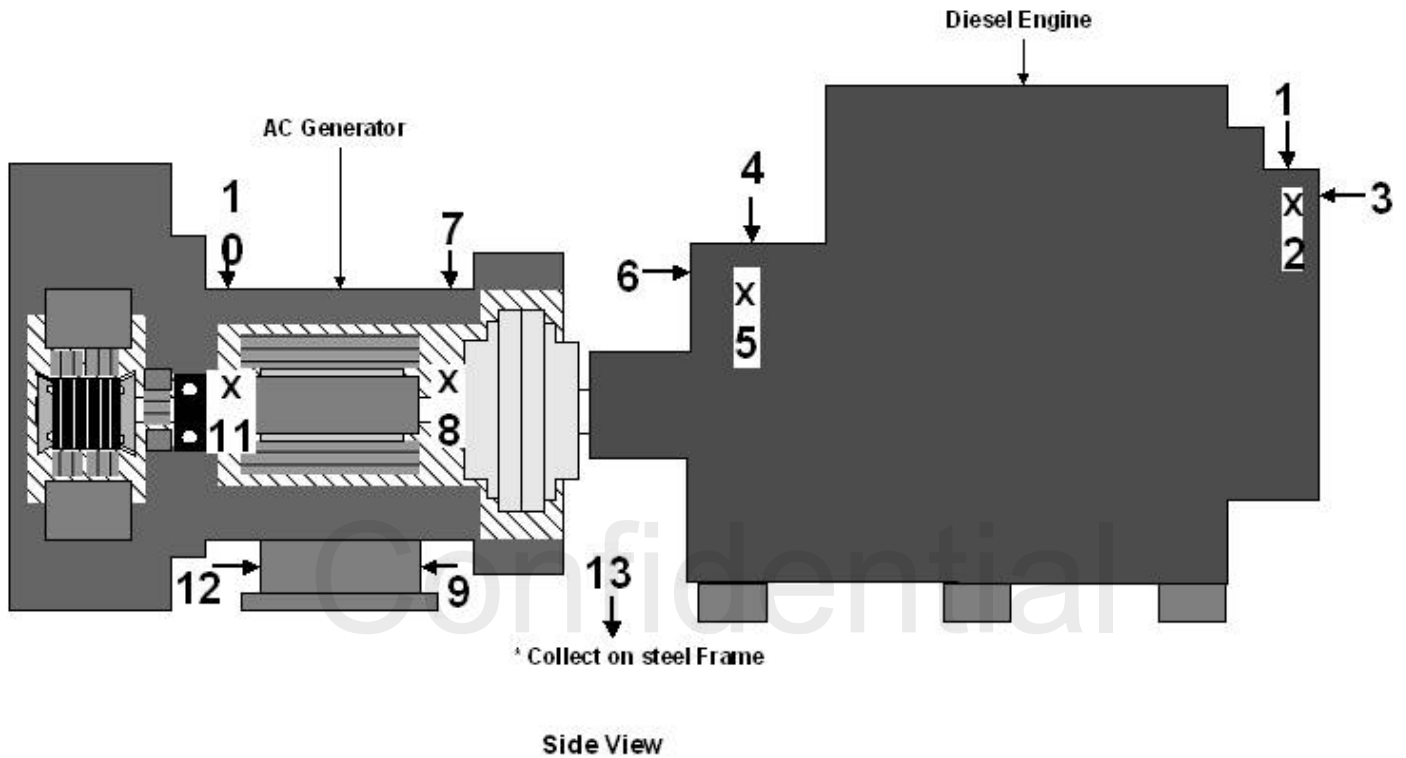
- |                      |                           |
|----------------------|---------------------------|
| 1 - Motor Vertical   | 6 - Mocom Axial           |
| 2 - Motor Horizontal | 7 - Compressor Vertical   |
| 3 - Motor Axial      | 8 - Compressor Horizontal |
| 4 - Mocom Vertical   | 9 - Compressor Axial      |
| 5 - Mocom Horizontal |                           |



### MEASUREMENT POINTS

- |                                |                                |
|--------------------------------|--------------------------------|
| 1 – Engine Outboard Vertical   | 7 – Motor Inboard Horizontal   |
| 2 - Engine Outboard Horizontal | 8 – Motor Inboard Vertical     |
| 3 - Engine Outboard Axial      | 9 – Motor Inboard Axial        |
| 4 - Engine Inboard Vertical    | 10 – Motor Outboard Vertical   |
| 5 - Engine Inboard Horizontal  | 11 – Motor Outboard Horizontal |
| 6 - Engine Inboard Axial       | 12 – Motor Outboard Axial      |

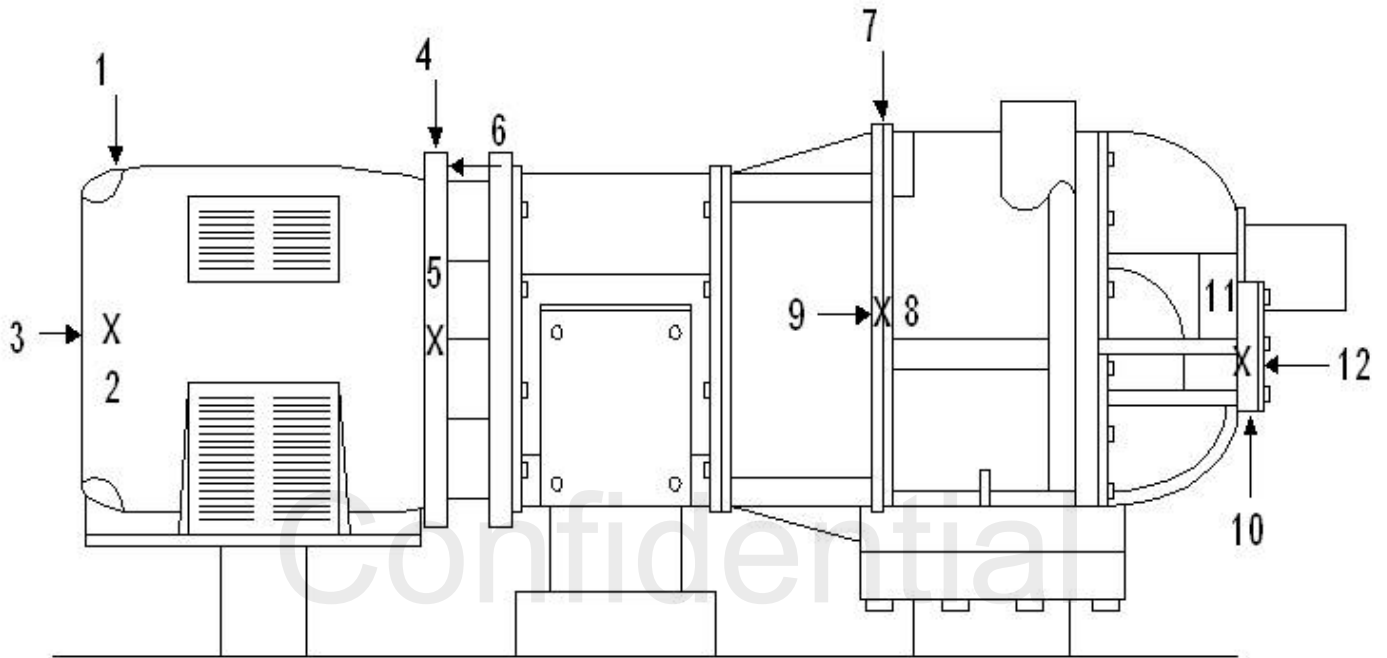
# Diesel Generator



## MEASUREMENT POINTS

- |                                |                                |
|--------------------------------|--------------------------------|
| 1 – Engine Outboard Vertical   | 7 – Motor Inboard Horizontal   |
| 2 - Engine Outboard Horizontal | 8 – Motor Inboard Vertical     |
| 3 - Engine Outboard Axial      | 9 – Motor Inboard Axial        |
| 4 - Engine Inboard Vertical    | 10 – Motor Outboard Vertical   |
| 5 - Engine Inboard Horizontal  | 11 – Motor Outboard Horizontal |
| 6 - Engine Inboard Axial       | 12 – Motor Outboard Axial      |
|                                | 13 – Base Collection Point     |

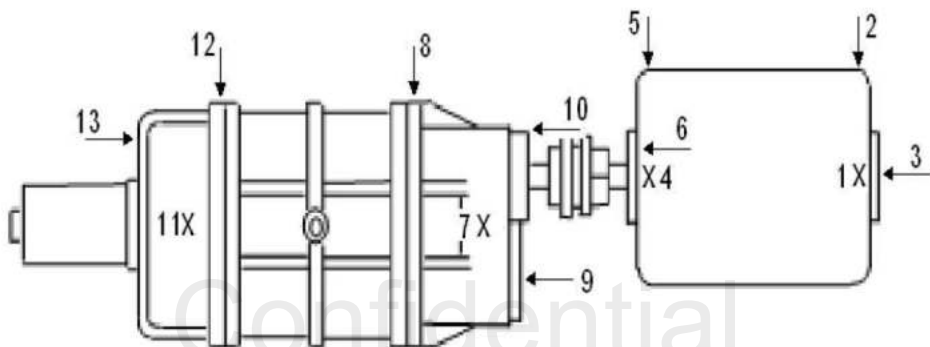
# FES



## MEASUREMENT POINTS

- |                      |                       |
|----------------------|-----------------------|
| 1 - MOTOF Vertical   | 7 - COMIB Vertical    |
| 2 - MOTOF Horizontal | 8 - COMIB Horizontal  |
| 3 - MOTOF Axial      | 9 - COMIB Axial       |
| 4 - MOTDR Vertical   | 10 - COMOB Vertical   |
| 5 - MOTDR Horizontal | 11 - COMOB Horizontal |
| 6 - MOTDR Axial      | 12 - COMOB Axial      |

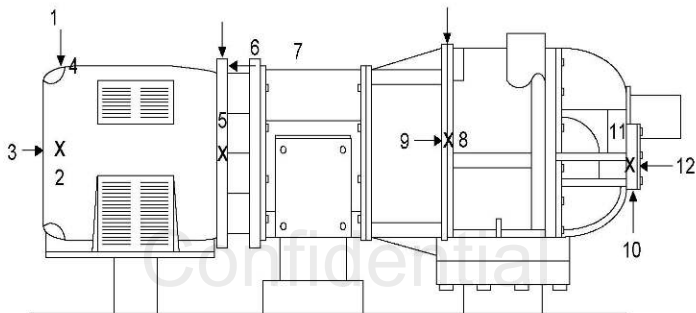
# FRICK GDSH



## MEASUREMENT POINTS

- |                                |                                    |
|--------------------------------|------------------------------------|
| 1- Motor Outboard Vertical     | 8- Compressor Inboard Horizontal   |
| 2- Motor Outboard Horizontal   | 9- Compressor In. Axial (female)   |
| 3- Motor Outboard Axial        | 10- Compressor In. Axial (male)    |
| 4- Motor Inboard Vertical      | 11- Compressor Outboard Vertical   |
| 5- Motor Inboard Horizontal    | 12- Compressor Outboard Horizontal |
| 6- Motor Inboard Axial         | 13- Compressor Outboard Axial      |
| 7- Compressor Inboard Vertical |                                    |

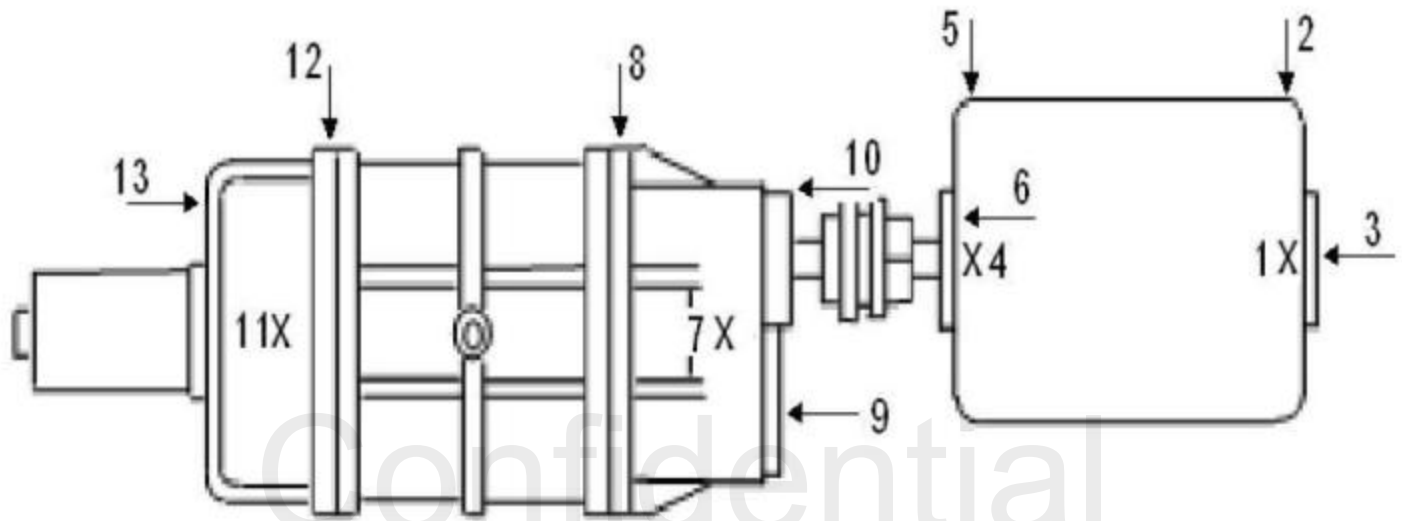
# Howden/Frick



## MEASUREMENT POINTS

- |                      |                       |
|----------------------|-----------------------|
| 1 - MOTOF Vertical   | 7 - COMIB Vertical    |
| 2 - MOTOF Horizontal | 8 - COMIB Horizontal  |
| 3 - MOTOF Axial      | 9 - COMIB Axial       |
| 4 - MOTDR Vertical   | 10 - COMOB Vertical   |
| 5 - MOTDR Horizontal | 11 - COMOB Horizontal |
| 6 - MOTDR Axial      | 12 - COMOB Axial      |

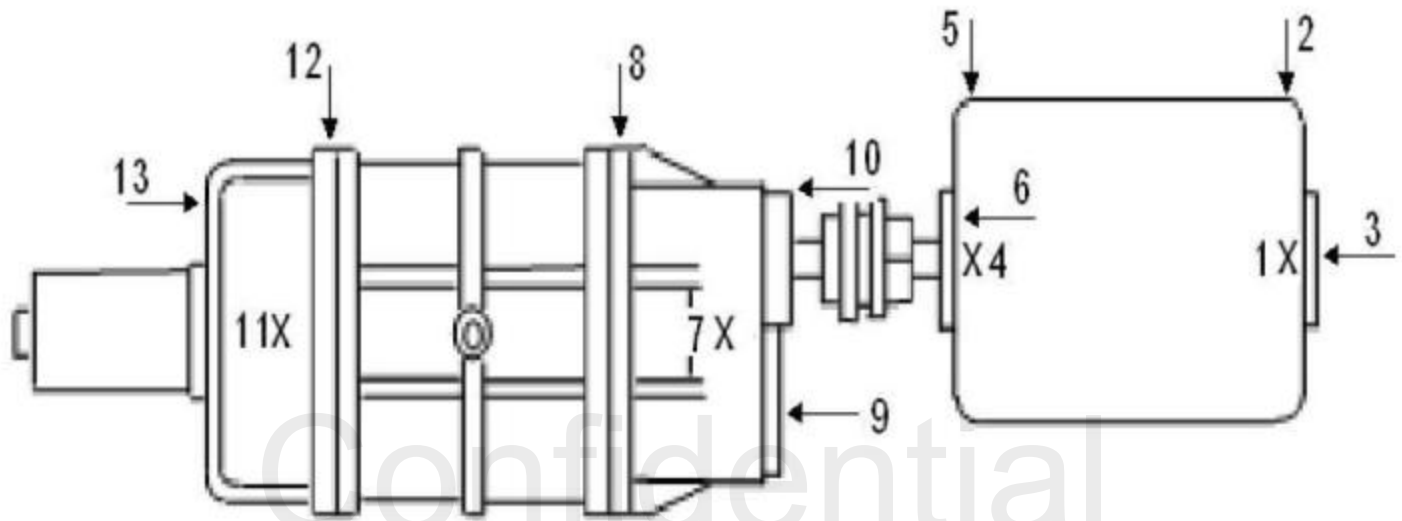
# FRICK RDB



## MEASUREMENT POINTS

- |                                |                                    |
|--------------------------------|------------------------------------|
| 1- Motor Outboard Vertical     | 8- Compressor Inboard Horizontal   |
| 2- Motor Outboard Horizontal   | 9- Compressor In. Axial (female)   |
| 3- Motor Outboard Axial        | 10- Compressor In. Axial (male)    |
| 4- Motor Inboard Vertical      | 11- Compressor Outboard Vertical   |
| 5- Motor Inboard Horizontal    | 12- Compressor Outboard Horizontal |
| 6- Motor Inboard Axial         | 13- Compressor Outboard Axial      |
| 7- Compressor Inboard Vertical |                                    |

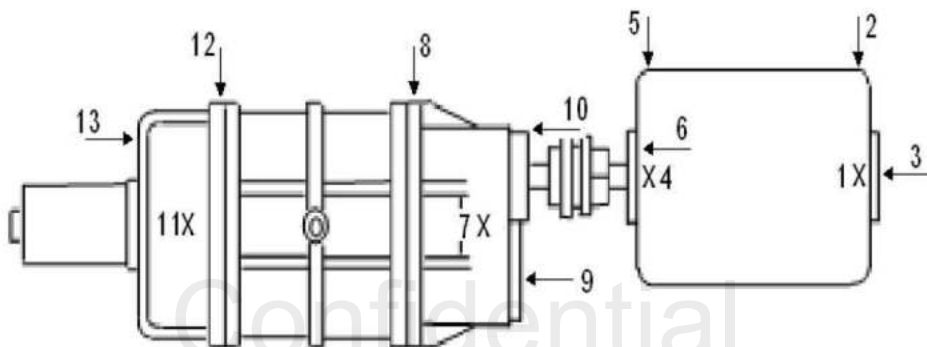
# FRICK RWB



## MEASUREMENT POINTS

- |                                |                                    |
|--------------------------------|------------------------------------|
| 1- Motor Outboard Vertical     | 8- Compressor Inboard Horizontal   |
| 2- Motor Outboard Horizontal   | 9- Compressor In. Axial (female)   |
| 3- Motor Outboard Axial        | 10- Compressor In. Axial (male)    |
| 4- Motor Inboard Vertical      | 11- Compressor Outboard Vertical   |
| 5- Motor Inboard Horizontal    | 12- Compressor Outboard Horizontal |
| 6- Motor Inboard Axial         | 13- Compressor Outboard Axial      |
| 7- Compressor Inboard Vertical |                                    |

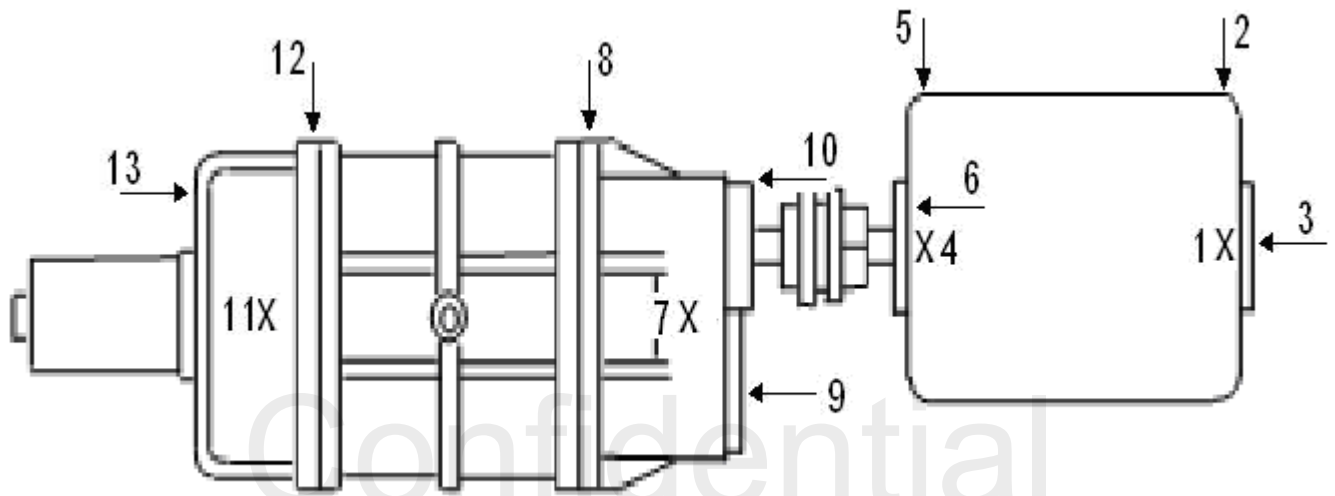
# FRICK RWB II



## MEASUREMENT POINTS

- |                                |                                    |
|--------------------------------|------------------------------------|
| 1- Motor Outboard Vertical     | 8- Compressor Inboard Horizontal   |
| 2- Motor Outboard Horizontal   | 9- Compressor In. Axial (female)   |
| 3- Motor Outboard Axial        | 10- Compressor In. Axial (male)    |
| 4- Motor Inboard Vertical      | 11- Compressor Outboard Vertical   |
| 5- Motor Inboard Horizontal    | 12- Compressor Outboard Horizontal |
| 6- Motor Inboard Axial         | 13- Compressor Outboard Axial      |
| 7- Compressor Inboard Vertical |                                    |

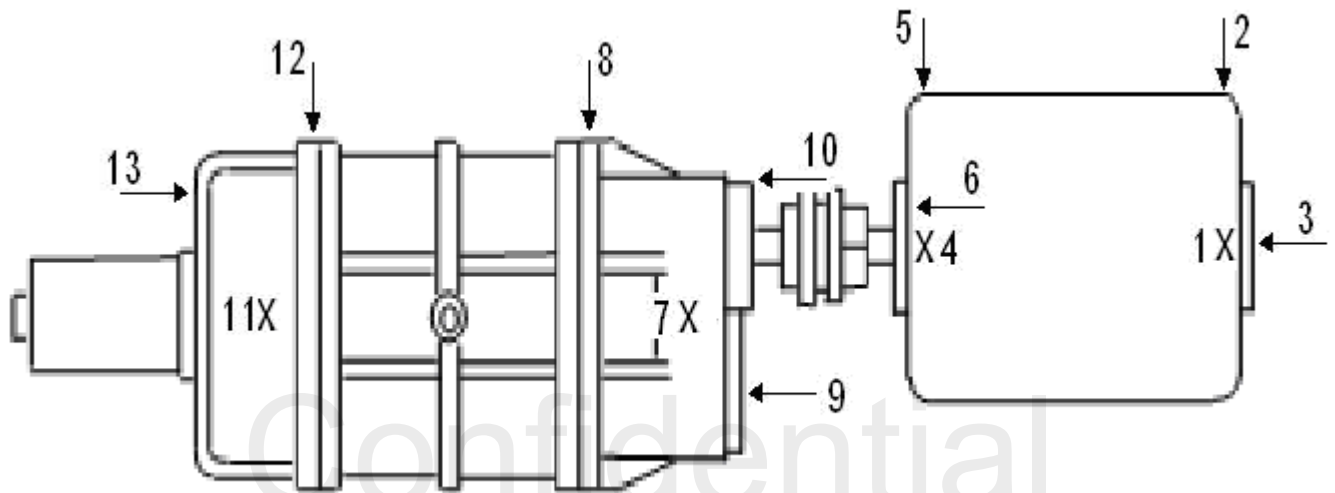
# FRICK RWF



## MEASUREMENT POINTS

- |                                |                                    |
|--------------------------------|------------------------------------|
| 1- Motor Outboard Vertical     | 8- Compressor Inboard Horizontal   |
| 2- Motor Outboard Horizontal   | 9- Compressor In. Axial (female)   |
| 3- Motor Outboard Axial        | 10- Compressor In. Axial (male)    |
| 4- Motor Inboard Vertical      | 11- Compressor Outboard Vertical   |
| 5- Motor Inboard Horizontal    | 12- Compressor Outboard Horizontal |
| 6- Motor Inboard Axial         | 13- Compressor Outboard Axial      |
| 7- Compressor Inboard Vertical |                                    |

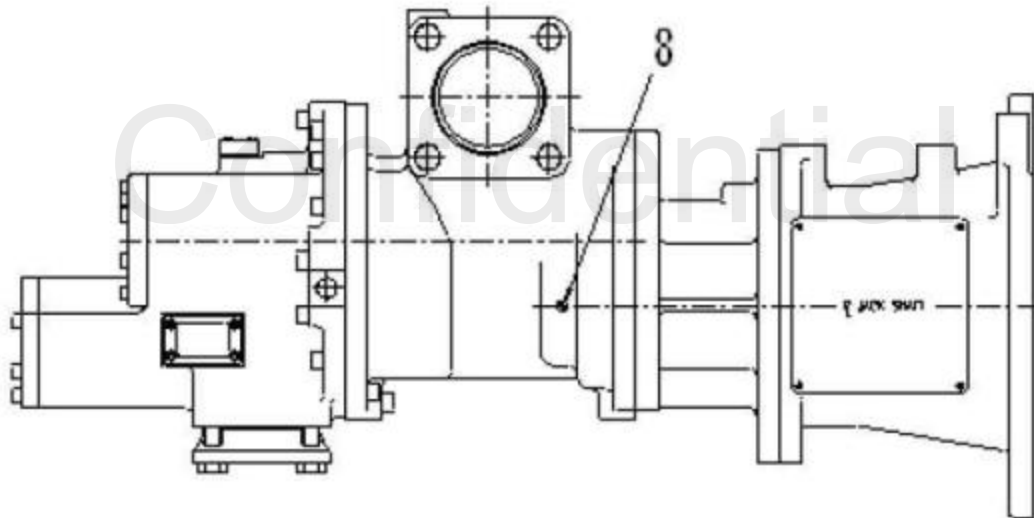
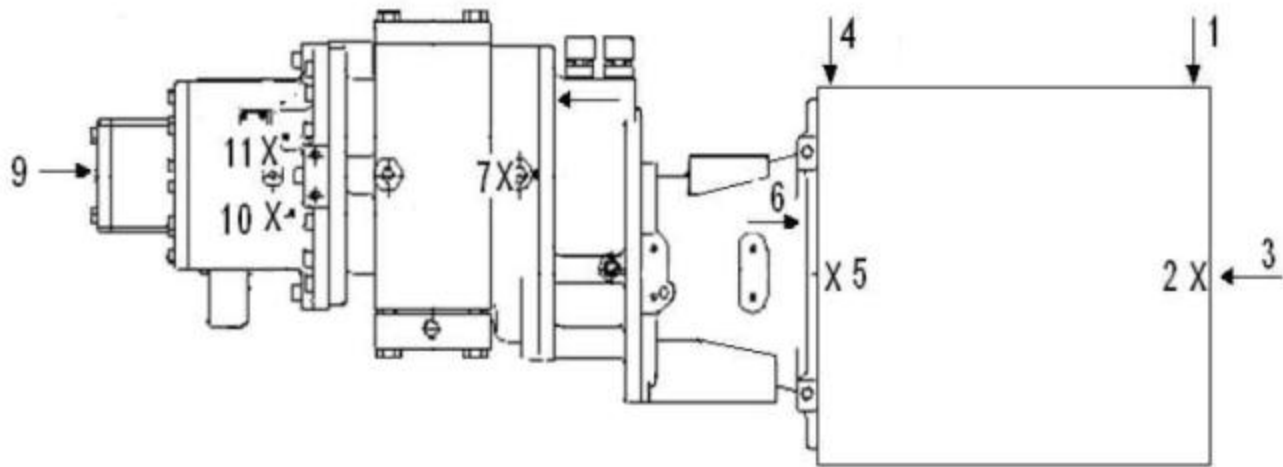
# FRICK RWF II



## MEASUREMENT POINTS

- |                                |                                    |
|--------------------------------|------------------------------------|
| 1- Motor Outboard Vertical     | 8- Compressor Inboard Horizontal   |
| 2- Motor Outboard Horizontal   | 9- Compressor In. Axial (female)   |
| 3- Motor Outboard Axial        | 10- Compressor In. Axial (male)    |
| 4- Motor Inboard Vertical      | 11- Compressor Outboard Vertical   |
| 5- Motor Inboard Horizontal    | 12- Compressor Outboard Horizontal |
| 6- Motor Inboard Axial         | 13- Compressor Outboard Axial      |
| 7- Compressor Inboard Vertical |                                    |

# FRICK RXB

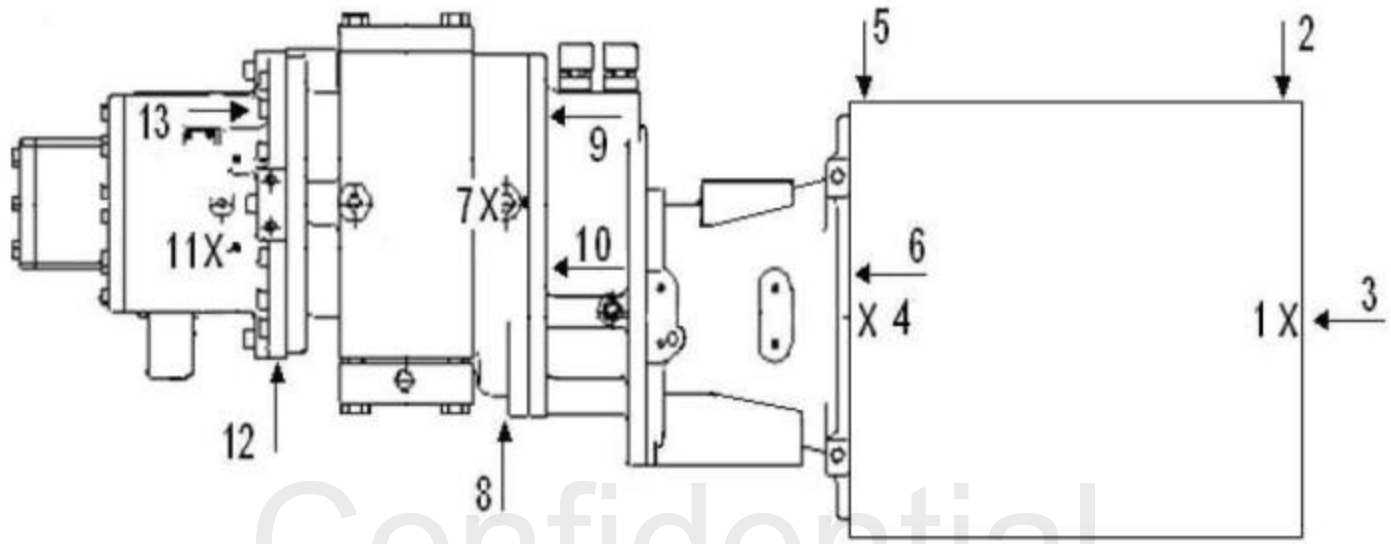


**\*SENSOR MOUNTING TABS REQUIRED**

## MEASUREMENT POINTS

- |                             |                                        |
|-----------------------------|----------------------------------------|
| 1-Motor Outboard Horizontal | 7-Compressor Center Inboard Vertical   |
| 2-Motor Outboard Vertical   | 8-Compressor Jack Shaft Horizontal     |
| 3-Motor Outboard Axial      | 9-Compressor Center Outboard Axial     |
| 4-Motor Inboard Horizontal  | 10-Compressor Outboard Male Vertical   |
| 5-Motor Inboard Vertical    | 11-Compressor Outboard Female Vertical |
| 6-Motor Inboard Axial       |                                        |

# FRICK RXF

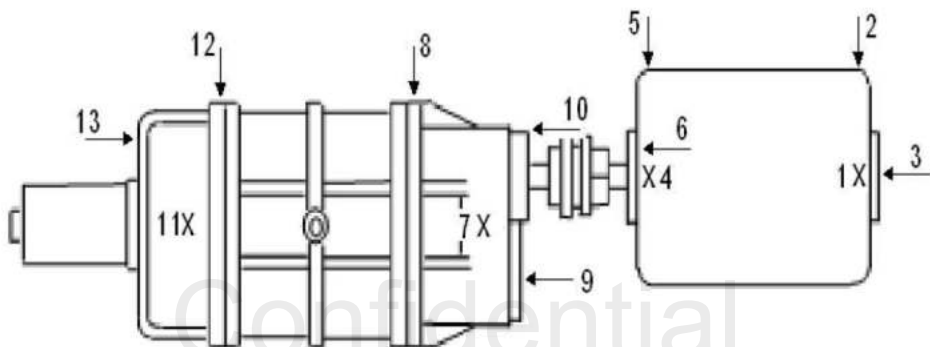


**\*SENSOR MOUNTING TABS REQUIRED**

## MEASUREMENT POINTS

- |                                |                                      |
|--------------------------------|--------------------------------------|
| 1- Motor Outboard Vertical     | 8- Compressor Inboard Horizontal     |
| 2- Motor Outboard Horizontal   | 9- Compressor Inboard Axial (female) |
| 3- Motor Outboard Axial        | 10- Compressor Inboard Axial (male)  |
| 4- Motor Inboard Vertical      | 11- Compressor Out. Vert.            |
| 5- Motor Inboard Horizontal    | 12- Compressor Outboard Horizontal   |
| 6- Motor Inboard Axial         | 13- Compressor Outboard Axial        |
| 7- Compressor Inboard Vertical |                                      |

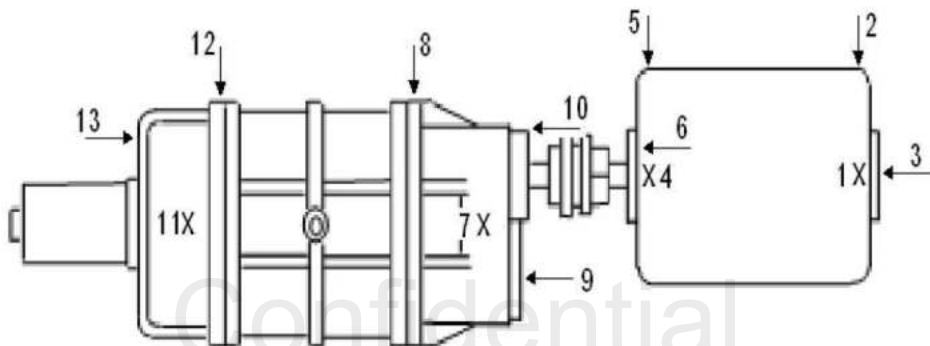
# FRICK TDSH



## MEASUREMENT POINTS

- |                              |                                    |
|------------------------------|------------------------------------|
| 1- Motor Outboard Vertical   | 7- Compressor Inboard Vertical     |
| 2- Motor Outboard Horizontal | 8- Compressor Inboard Horizontal   |
| 3- Motor Outboard Axial      | 9- Compressor In. Axial (female)   |
| 4- Motor Inboard Vertical    | 10- Compressor In. Axial (male)    |
| 5- Motor Inboard Horizontal  | 11- Compressor Outboard Vertical   |
| 6- Motor Inboard Axial       | 12- Compressor Outboard Horizontal |
|                              | 13- Compressor Outboard Axial      |

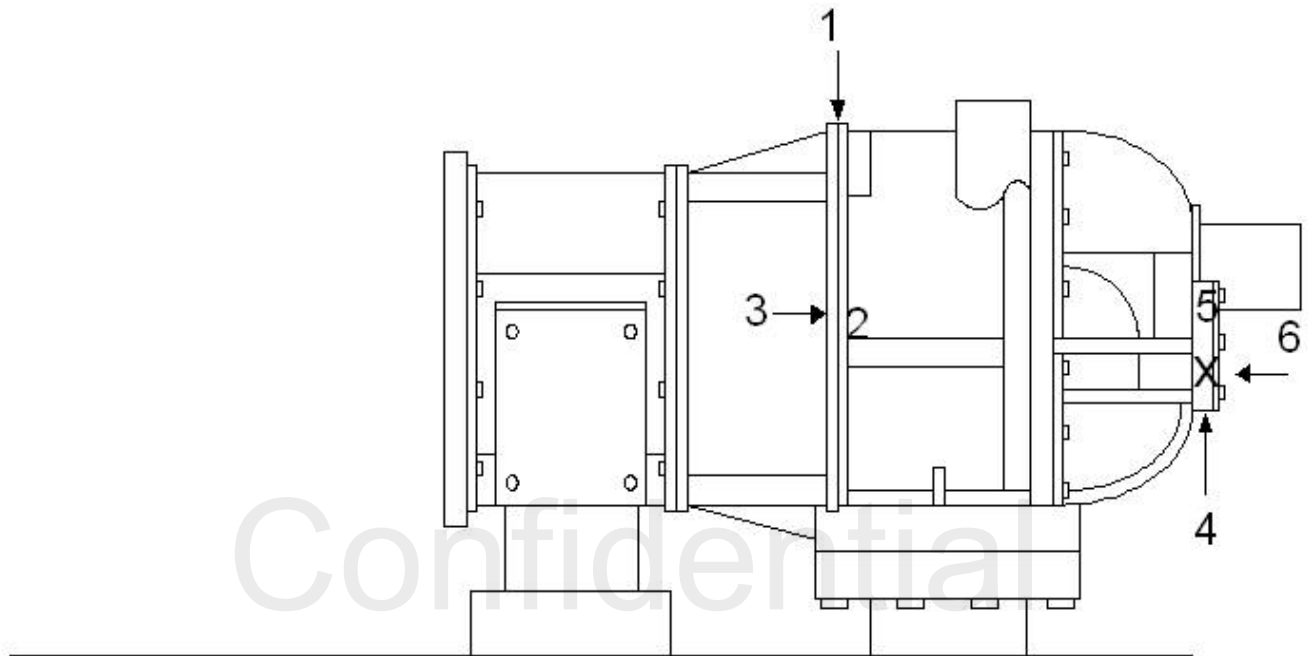
# FRICK TDSL



## MEASUREMENT POINTS

- |                              |                                    |
|------------------------------|------------------------------------|
| 1- Motor Outboard Vertical   | 7- Compressor Inboard Vertical     |
| 2- Motor Outboard Horizontal | 8- Compressor Inboard Horizontal   |
| 3- Motor Outboard Axial      | 9- Compressor In. Axial (female)   |
| 4- Motor Inboard Vertical    | 10- Compressor In. Axial (male)    |
| 5- Motor Inboard Horizontal  | 11- Compressor Outboard Vertical   |
| 6- Motor Inboard Axial       | 12- Compressor Outboard Horizontal |
|                              | 13- Compressor Outboard Axial      |

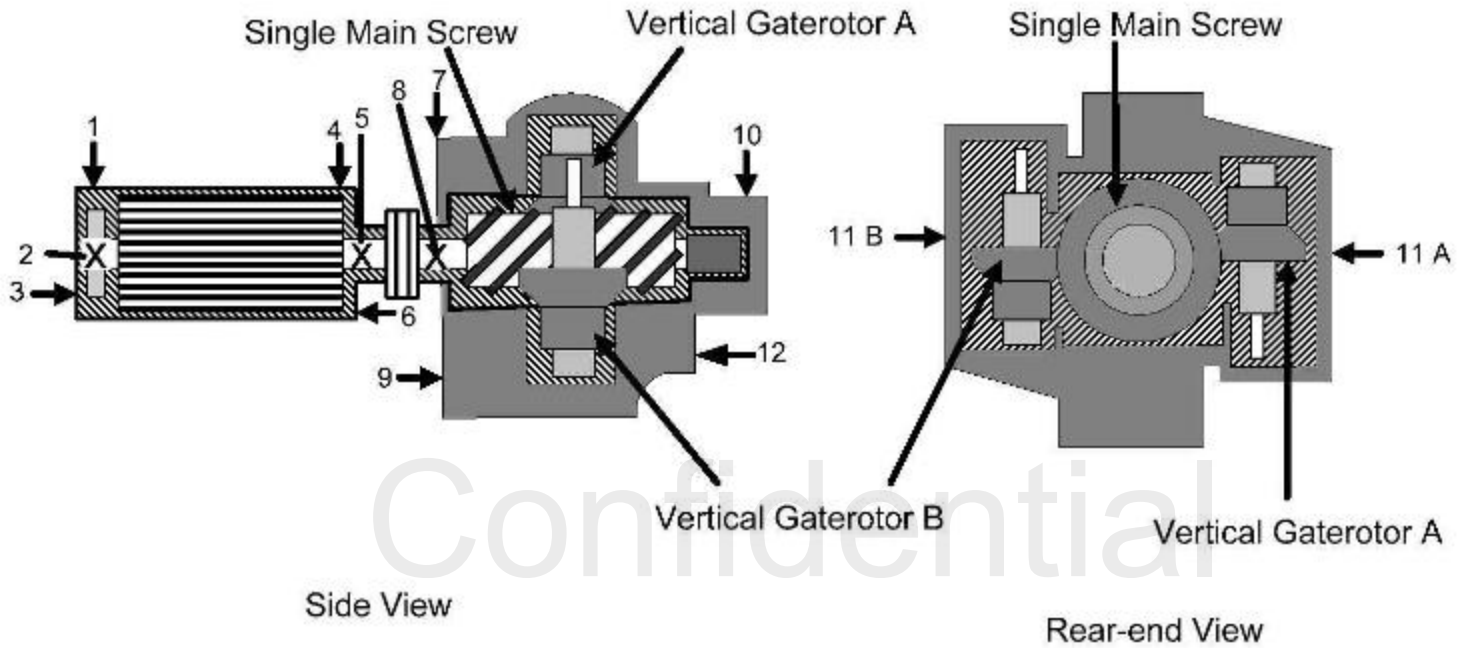
# FRICK (Turbine driven)



## MEASUREMENT POINTS

- 1 - COMIB Vertical
- 2 - COMIB Horizontal
- 3 - COMIB Axial
- 4 - COMOB Vertical
- 5 - COMOB Horizontal
- 6 - COMOB Axial

# Frick VSS

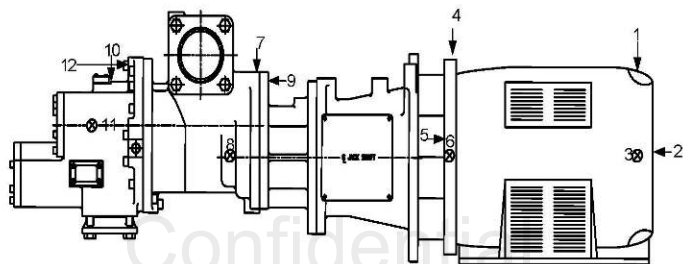


## MEASUREMENT POINTS

- 1 - Motor Offend Vertical
- 2 - Motor Offend Horizontal
- 3 - Motor Offend Axial
- 4 - Motor Drive End Vertical
- 5 - Motor Drive End Horizontal
- 6 - Motor Drive End Axial

- 7 - Compressor Drive Vertical
- 8 - Compressor Drive Horizontal
- 9 - Compressor Drive Axial
- 10 - Compressor Offend Vertical
- 11A - Compressor Offend Horz. A
- 11B.-Compressor Offend Horz. B
- 12 - Compressor Offend Axial

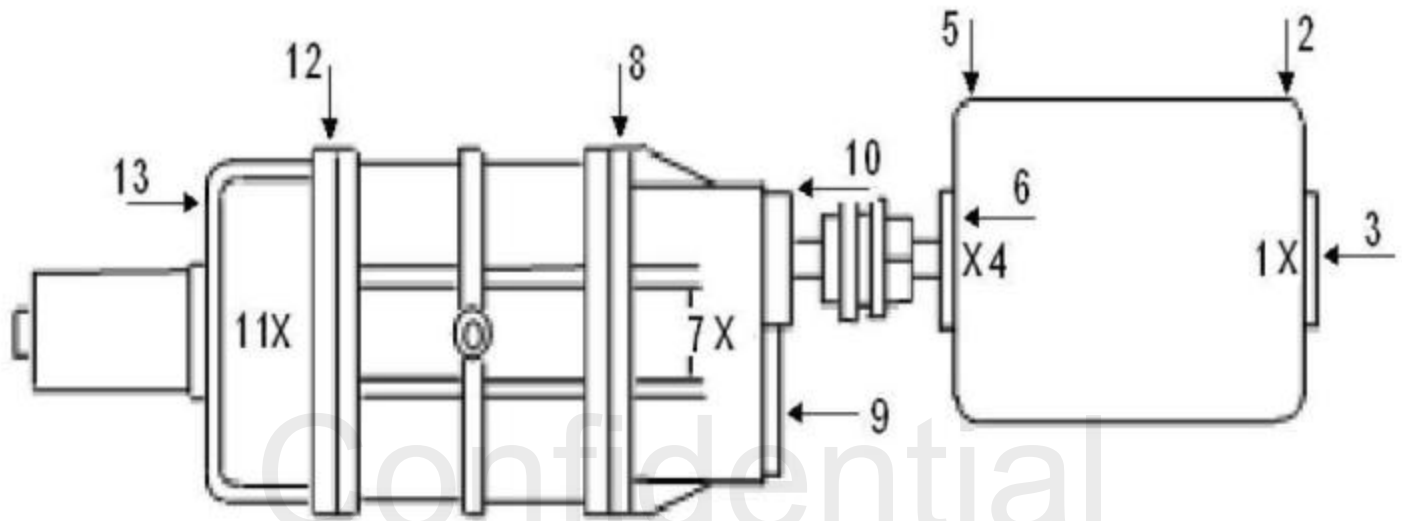
# XJF/XJS



## MEASUREMENT POINTS

- |                      |                       |
|----------------------|-----------------------|
| 1 - MOTOF Vertical   | 7 - COMIB Vertical    |
| 2 - MOTOF Horizontal | 8 - COMIB Horizontal  |
| 3 - MOTOF Axial      | 9 - COMIB Axial       |
| 4 - MOTDR Vertical   | 10 - COMOB Vertical   |
| 5 - MOTDR Horizontal | 11 - COMOB Horizontal |
| 6 - MOTDR Axial      | 12 - COMOB Axial      |

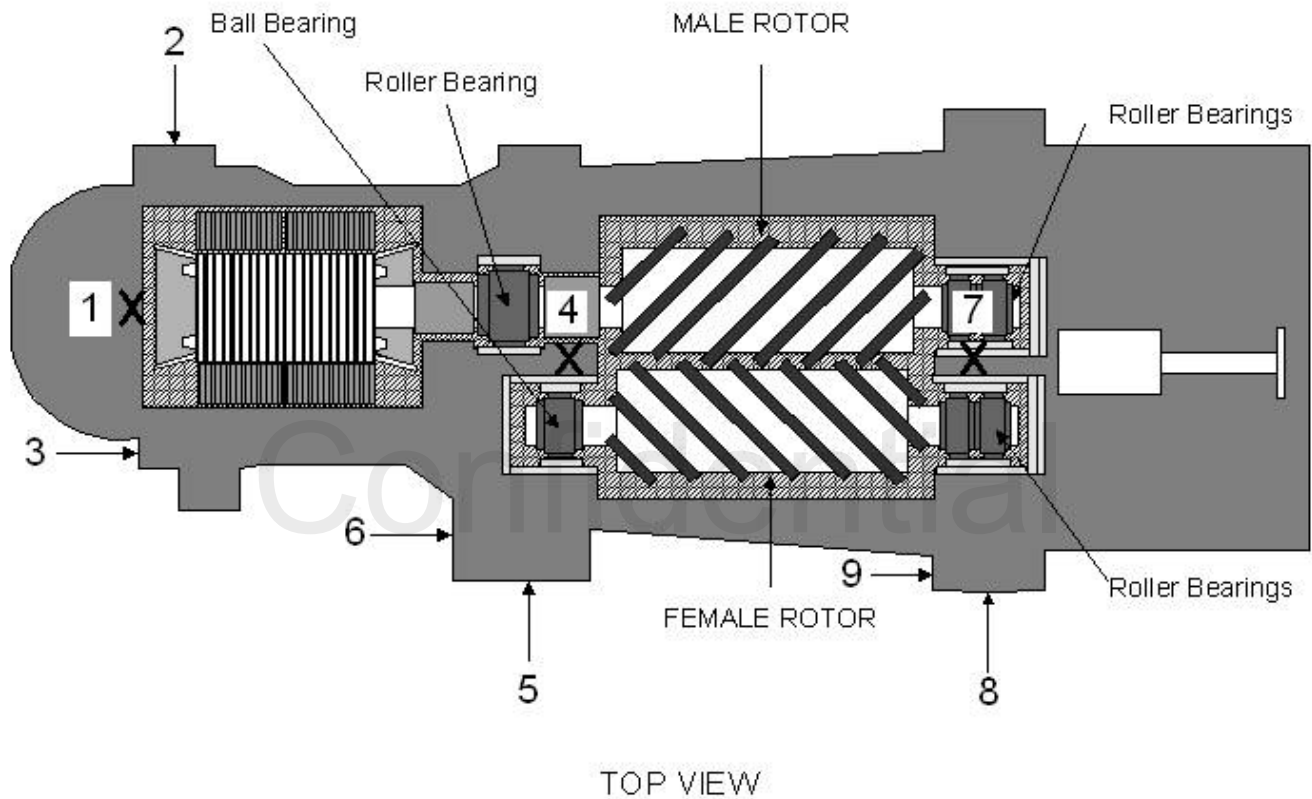
# FRICK XJS



## MEASUREMENT POINTS

- |                                |                                    |
|--------------------------------|------------------------------------|
| 1- Motor Outboard Vertical     | 8- Compressor Inboard Horizontal   |
| 2- Motor Outboard Horizontal   | 9- Compressor In. Axial (female)   |
| 3- Motor Outboard Axial        | 10- Compressor In. Axial (male)    |
| 4- Motor Inboard Vertical      | 11- Compressor Outboard Vertical   |
| 5- Motor Inboard Horizontal    | 12- Compressor Outboard Horizontal |
| 6- Motor Inboard Axial         | 13- Compressor Outboard Axial      |
| 7- Compressor Inboard Vertical |                                    |

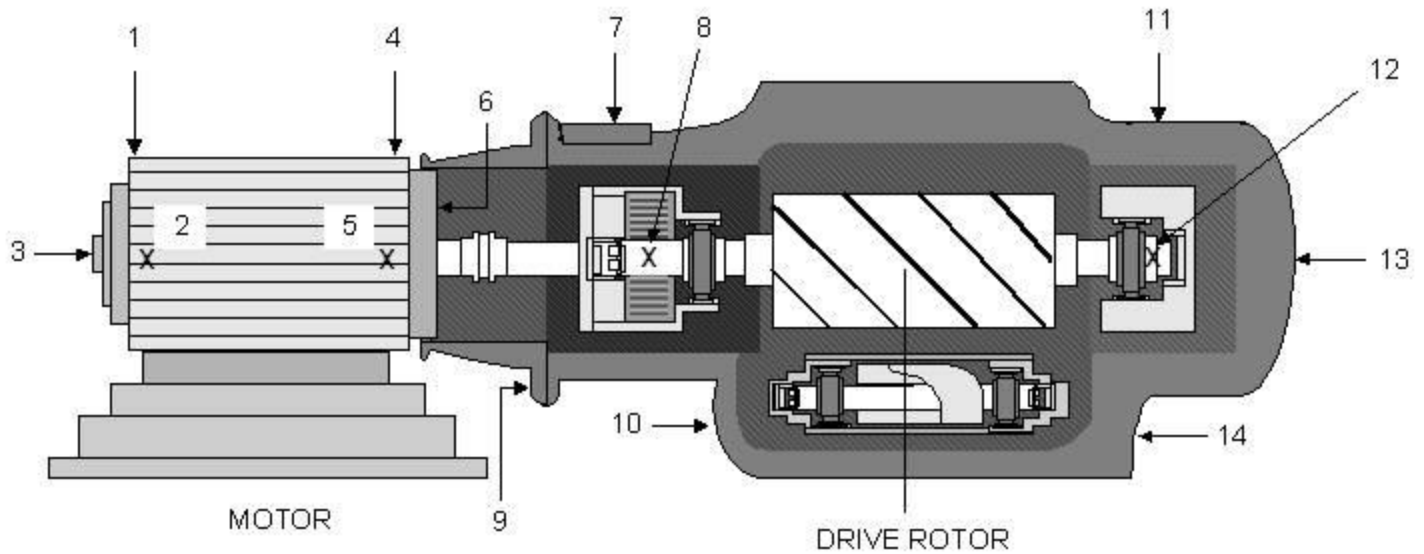
# Fu Sheng SR1



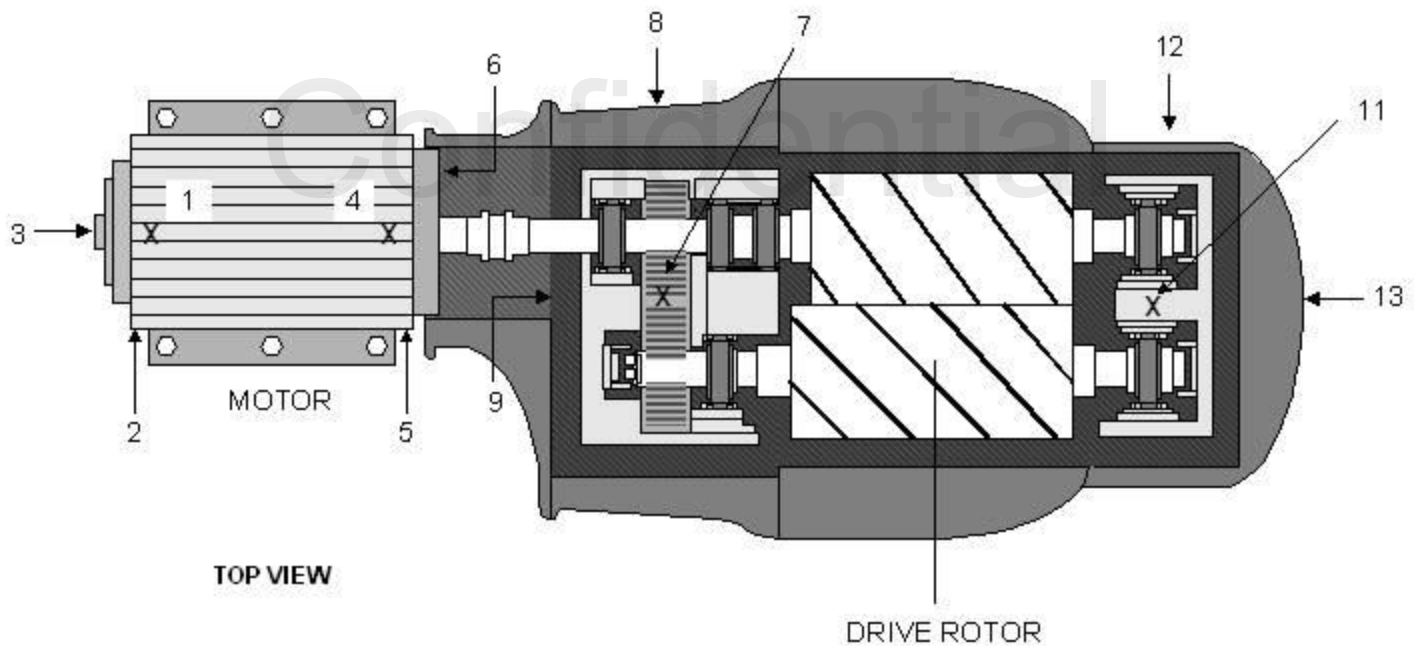
## MEASUREMENT POINTS

- |                      |                           |
|----------------------|---------------------------|
| 1 - Motor Vertical   | 6 - Mocom Axial           |
| 2 - Motor Horizontal | 7 - Compressor Vertical   |
| 3 - Motor Axial      | 8 - Compressor Horizontal |
| 4 - Mocom Vertical   | 9 - Compressor Axial      |
| 5 - Mocom Horizontal |                           |

# GARDNER-DENVER



SIDE VIEW



TOP VIEW

**\*SENSOR MOUNTING TABS REQUIRED**  
**MEASUREMENT POINTS**

- |                                |                                    |
|--------------------------------|------------------------------------|
| 1. Motor Off End Vertical      | 8. Compressor Inboard Horizontal   |
| 2. Motor Off End Horizontal    | 9. Compressor Inboard Axial        |
| 3. Motor Off End Axial         | 10. Valve Inboard Axial            |
| 4. Motor Drive Vertical        | 11. Compressor Outboard Vertical   |
| 5. Motor Drive Horizontal      | 12. Compressor Outboard Horizontal |
| 6. Motor Drive Axial           | 13. Compressor Outboard Axial      |
| 7. Compressor Inboard Vertical | 14. Valve Outboard Axial           |

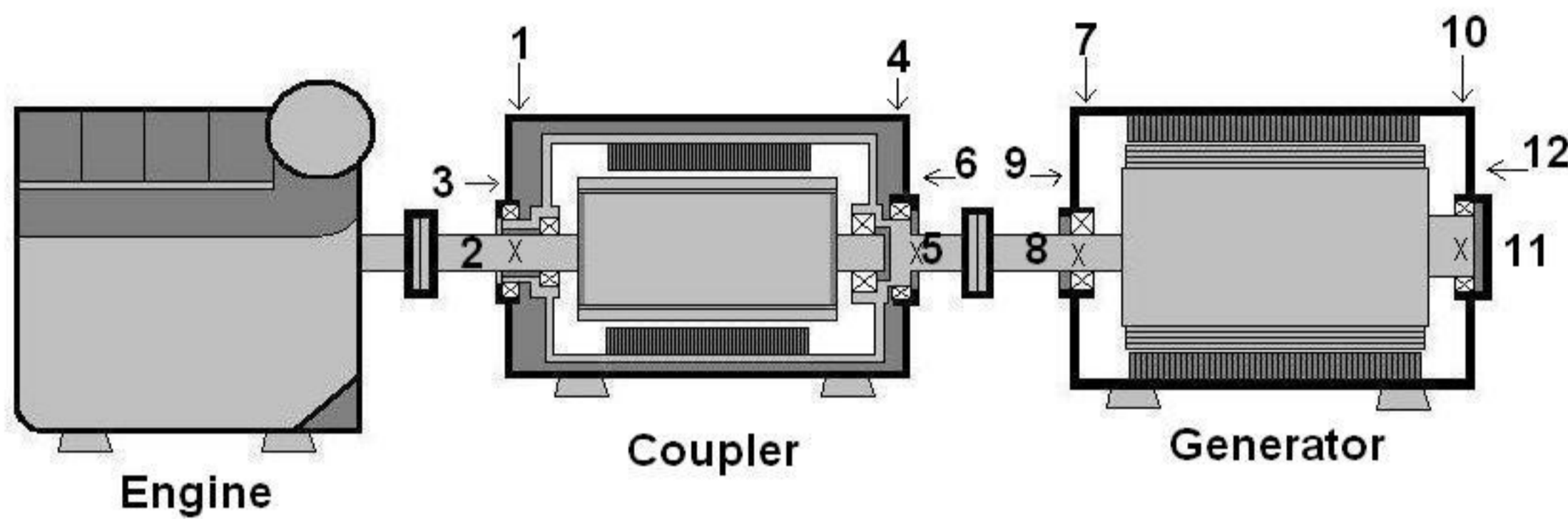
# Gearbox Schematic



## **\*SENSOR MOUNTING TABS REQUIRED**

- |                                 |                                  |
|---------------------------------|----------------------------------|
| 1. GIV Gearbox Input Vertical   | 4. GOV Gearbox Output Vertical   |
| 2. GIH Gearbox Input Horizontal | 5. GOH Gearbox Output Horizontal |
| 3. GIA Gearbox Input Axial      | 6. GOA Gearbox Output Axial      |

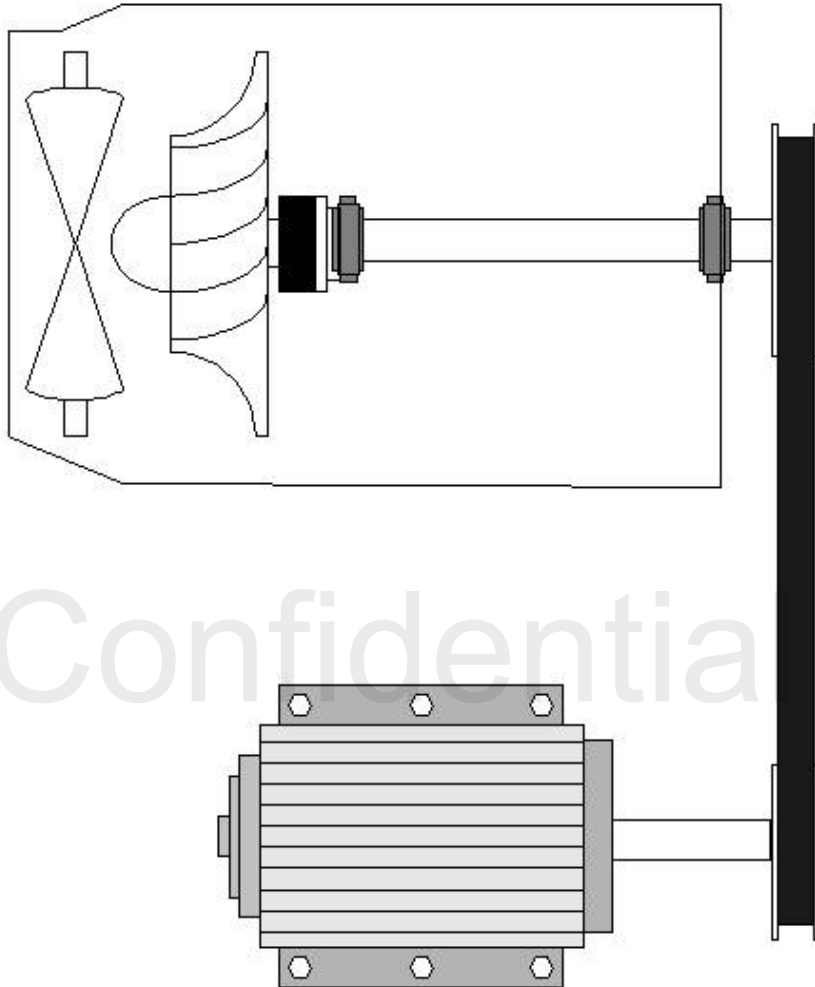
# Generator Set



Confidential

- |           |           |         |          |
|-----------|-----------|---------|----------|
| 1 - CPIBV | 4 - CPOBV | 7 - GIV | 10 - GOV |
| 2 - CPIBH | 5 - CPOBH | 8 - GIH | 11 - GOH |
| 3 - CPIBA | 6 - CPOBA | 9 - GIA | 12 - GOA |

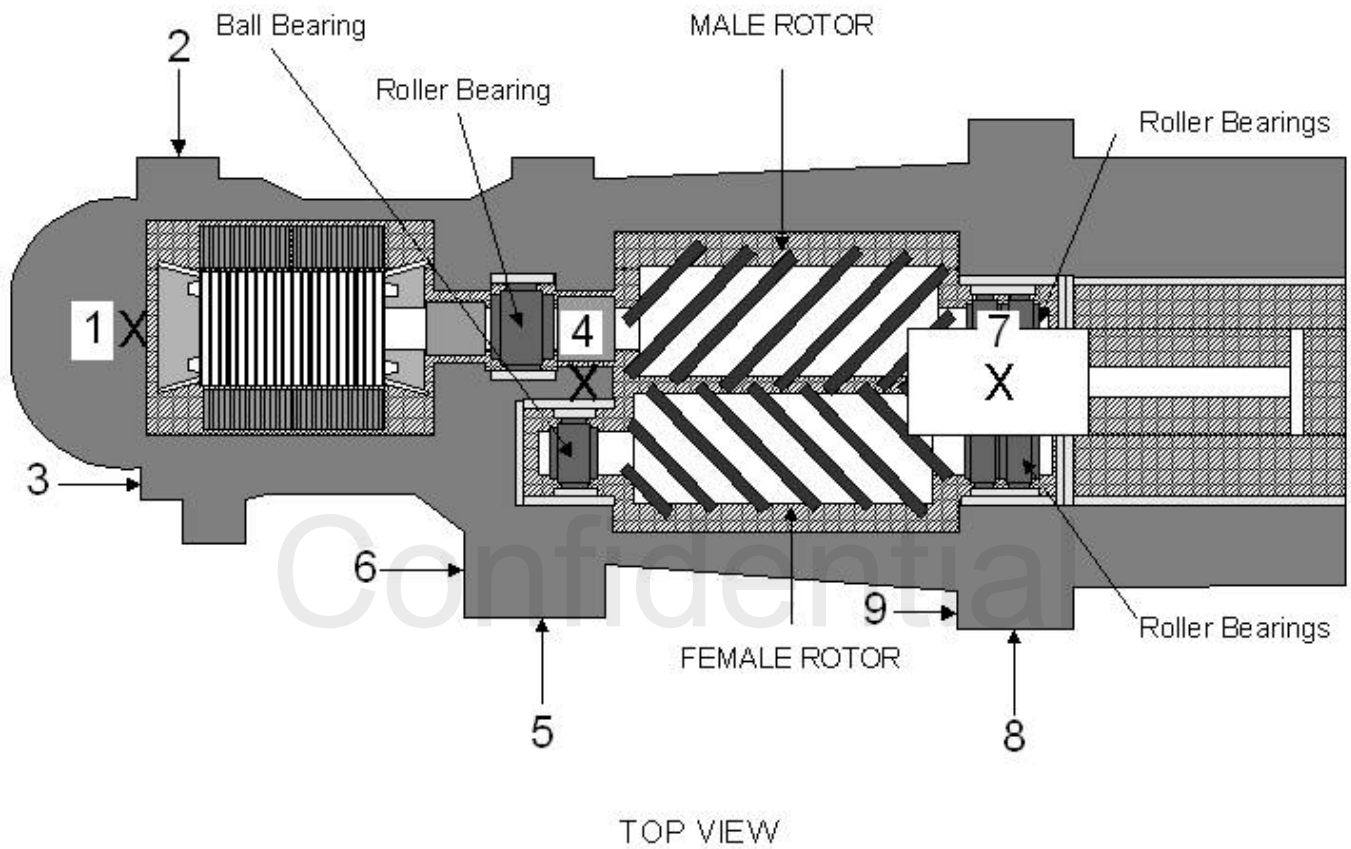
# H2O STILL



## MEASUREMENT POINTS

- |                      |                       |
|----------------------|-----------------------|
| 1 - MOTOF Vertical   | 7 - COMIB Vertical    |
| 2 - MOTOF Horizontal | 8 - COMIB Horizontal  |
| 3 - MOTOF Axial      | 9 - COMIB Axial       |
| 4 - MOTDR Vertical   | 10 - COMOB Vertical   |
| 5 - MOTDR Horizontal | 11 - COMOB Horizontal |
| 6 - MOTDR Axial      | 12 - COMOB Axial      |

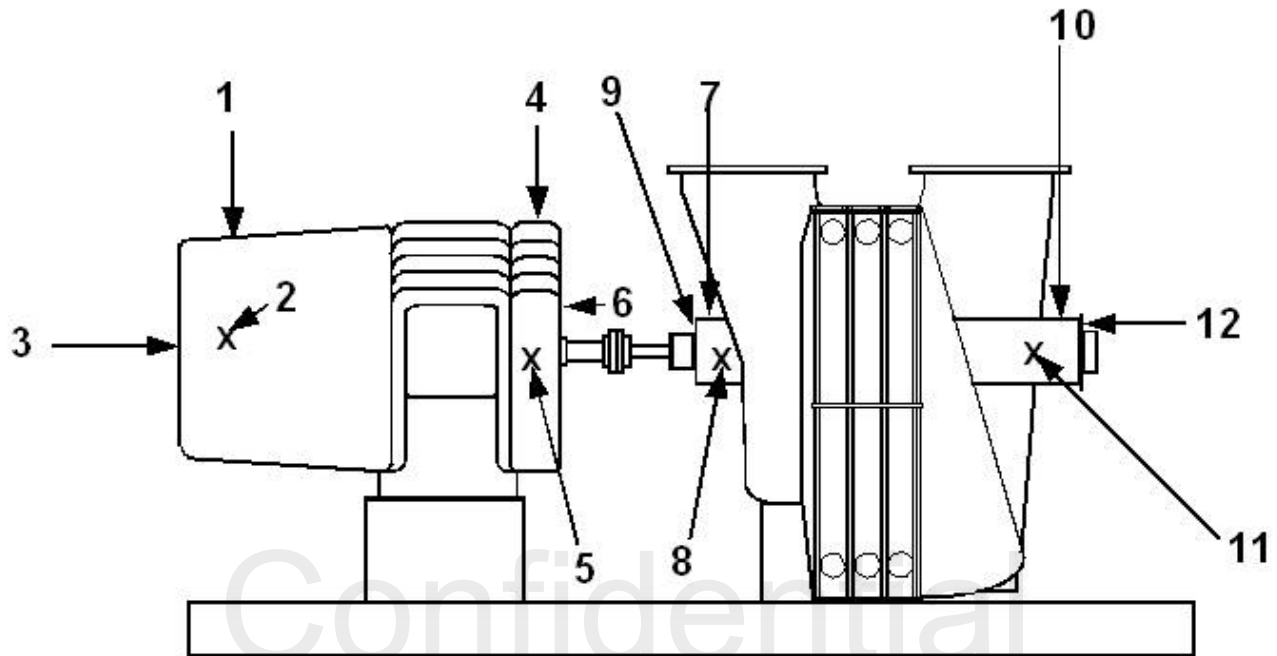
# HITACHI



## MEASUREMENT POINTS

- |                      |                           |
|----------------------|---------------------------|
| 1 - Motor Vertical   | 6 - Mocom Axial           |
| 2 - Motor Horizontal | 7 - Compressor Vertical   |
| 3 - Motor Axial      | 8 - Compressor Horizontal |
| 4 - Mocom Vertical   | 9 - Compressor Axial      |
| 5 - Mocom Horizontal |                           |

# HOFFMAN

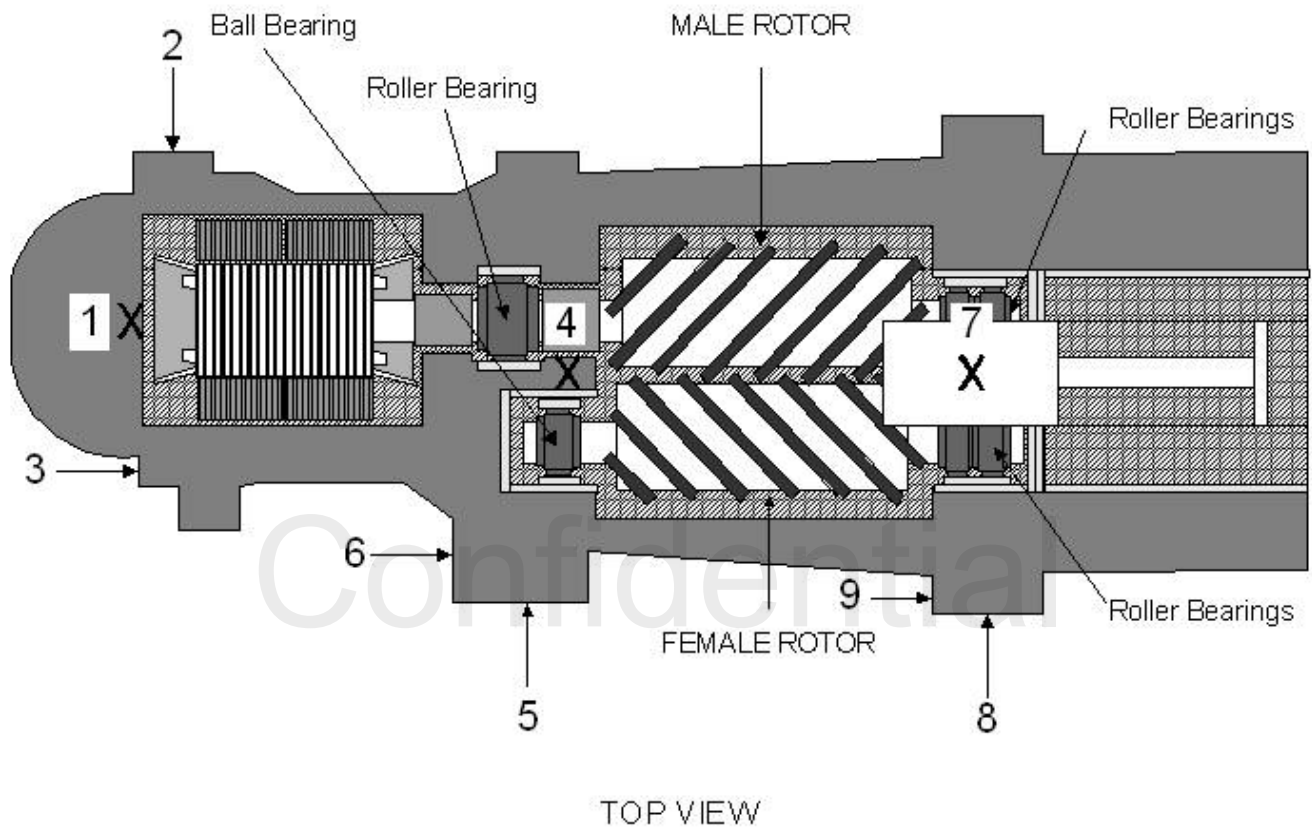


Side View

## MEASUREMENT POINTS

- |                                |                                     |
|--------------------------------|-------------------------------------|
| 1 - Motor Off-end Vertical     | 7 - Compressor Inboard Vertical     |
| 2 - Motor Off-end Horizontal   | 8 - Compressor Inboard Horizontal   |
| 3 - Motor Off-end Axial        | 9 - Compressor Inboard Axial        |
| 4 - Motor Drive-end Vertical   | 10 - Compressor Outboard Vertical   |
| 5 - Motor Drive-end Horizontal | 11 - Compressor Outboard Horizontal |
| 6 - Motor Drive-end Axial      | 12 - Compressor Outboard Axial      |

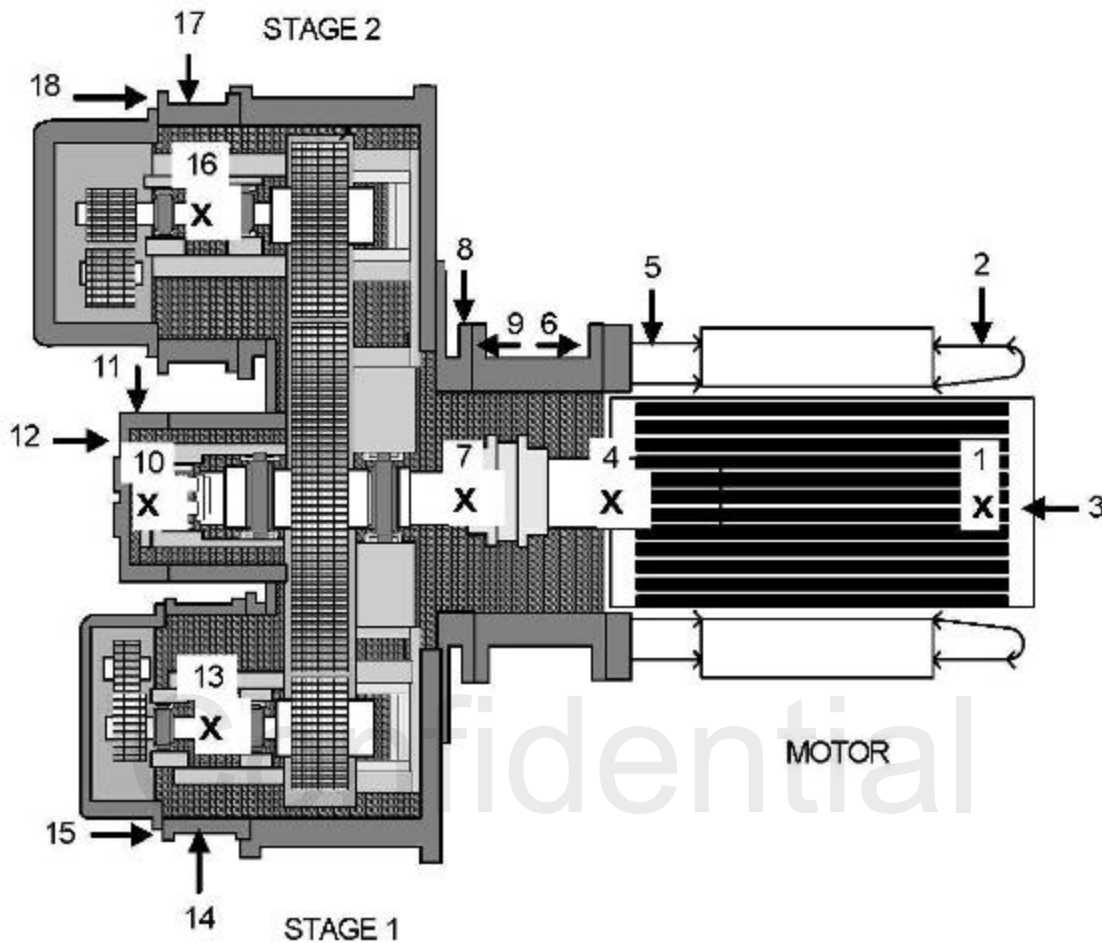
# Howden KK4F



## MEASUREMENT POINTS

- |                      |                           |
|----------------------|---------------------------|
| 1 - Motor Vertical   | 6 - Mocom Axial           |
| 2 - Motor Horizontal | 7 - Compressor Vertical   |
| 3 - Motor Axial      | 8 - Compressor Horizontal |
| 4 - Mocom Vertical   | 9 - Compressor Axial      |
| 5 - Mocom Horizontal |                           |

# INGERSOLL-RAND – CENTAC



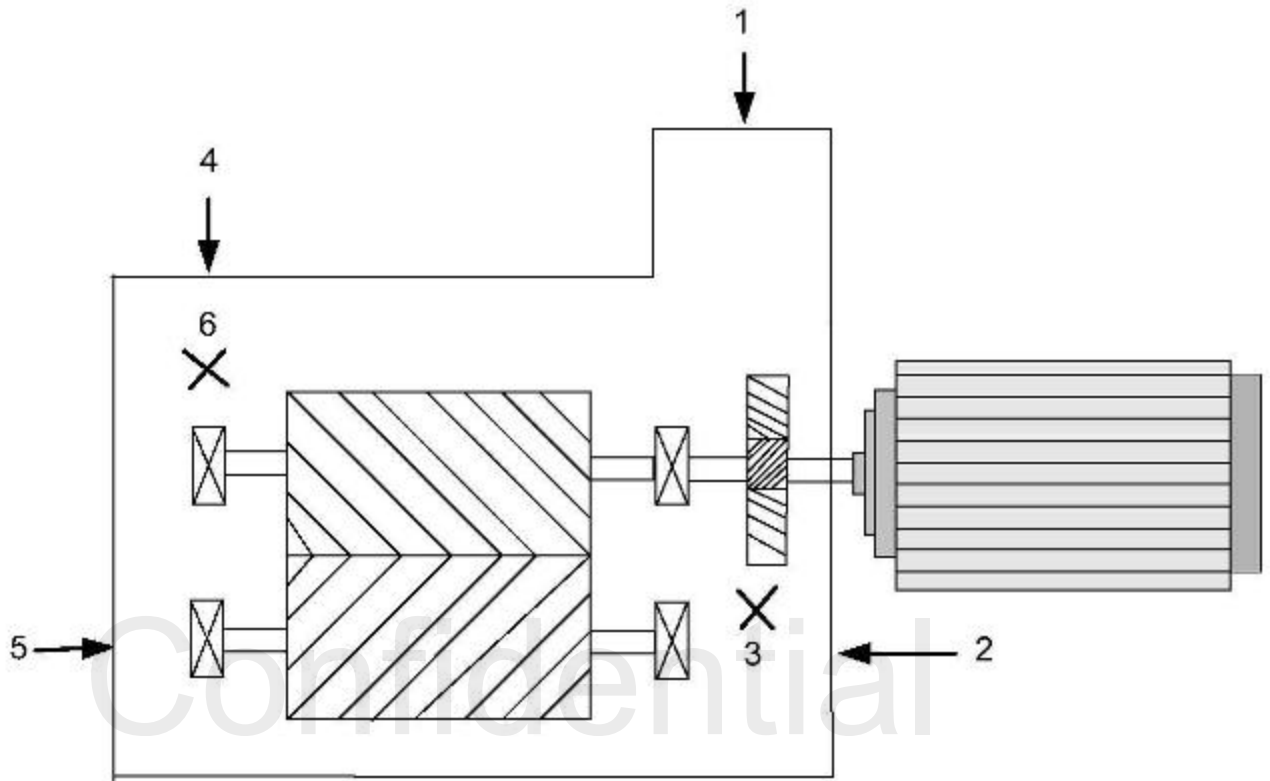
SIDE VIEW

**\*SENSOR MOUNTING TABS REQUIRED**

## MEASUREMENT POINTS

- |                                   |                                     |
|-----------------------------------|-------------------------------------|
| 1 - MOTOR OFF-END VERTICAL        | 10 - COMPRESSOR OUTBOARD VERTICAL   |
| 2 - MOTOR OFF-END HORIZONTAL      | 11 - COMPRESSOR OUTBOARD HORIZONTAL |
| 3 - MOTOR OFF-END AXIAL           | 12 - COMPRESSOR OUTBOARD AXIAL      |
| 4 - MOTOR DRIVE-END VERTICAL      | 13 - STAGE 1 VERTICAL               |
| 5 - MOTOR DRIVE-END HORIZONTAL    | 14 - STAGE 1 HORIZONTAL             |
| 6 - MOTOR DRIVE-END AXIAL         | 15 - STAGE 1 AXIAL                  |
| 7 - COMPRESSOR INBOARD VERTICAL   | 16 - STAGE 2 VERTICAL               |
| 8 - COMPRESSOR INBOARD HORIZONTAL | 17 - STAGE 2 HORIZONTAL             |
| 9 - COMPRESSOR INBOARD AXIAL      | 18 - STAGE 2 AXIAL                  |

# Ingersoll Rand – Nirvana IRN

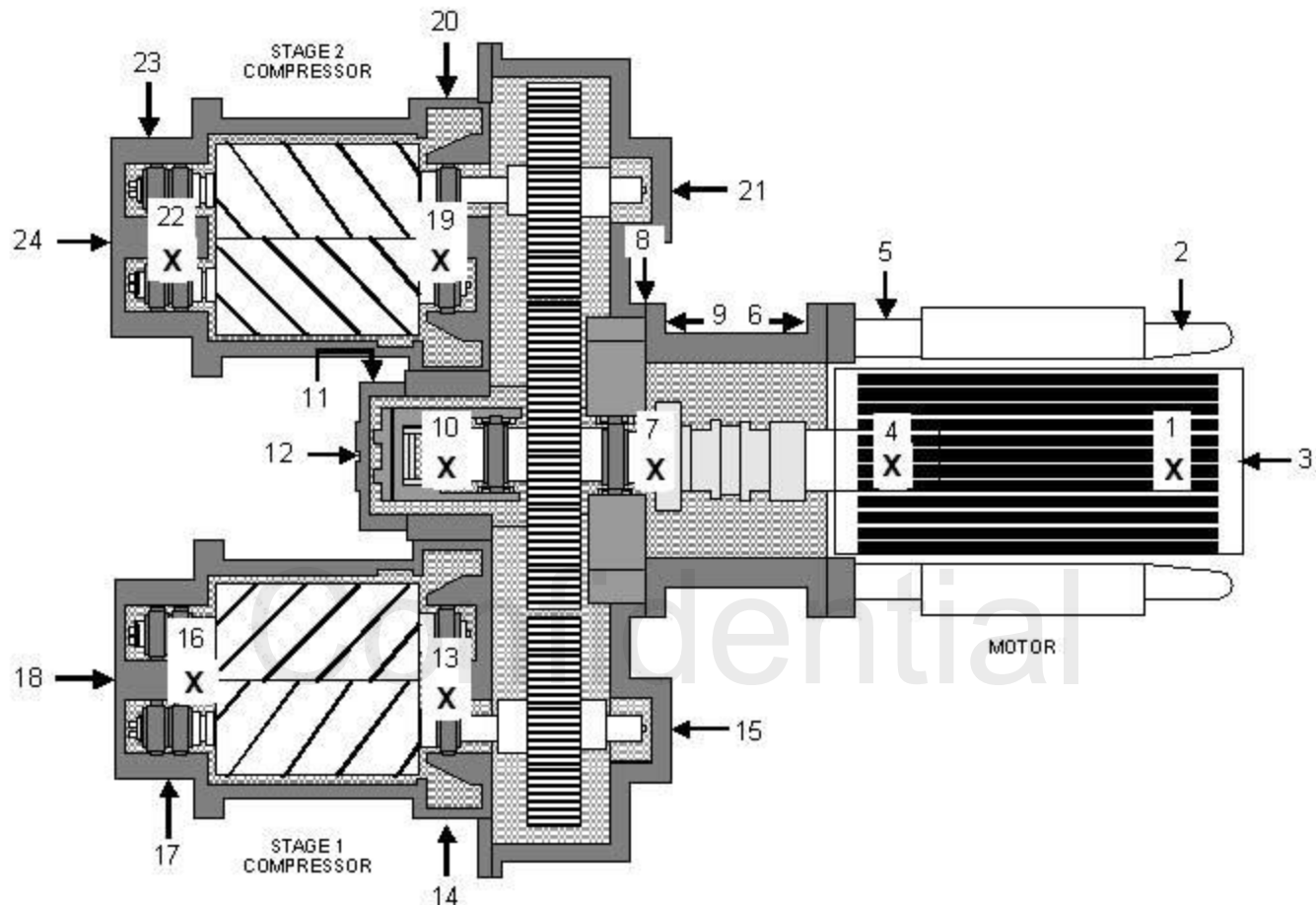


**\*SENSOR MOUNTING TABS REQUIRED**

## MEASUREMENT POINTS

- 1 - COMIB Vertical
- 2 - COMIB Horizontal
- 3 - COMIB Axial
- 4 - COMOB Vertical
- 5 - COMOB Horizontal
- 6 - COMOB Axial

# INGERSOLL RAND SSR

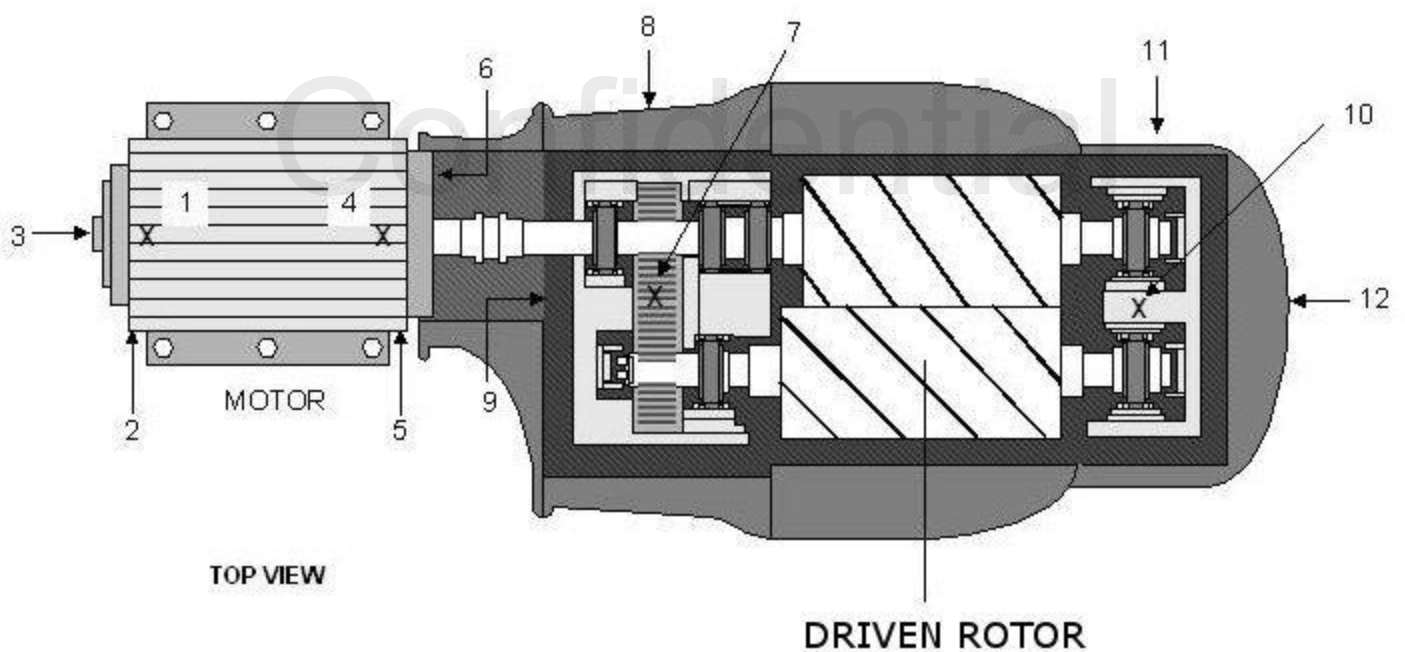
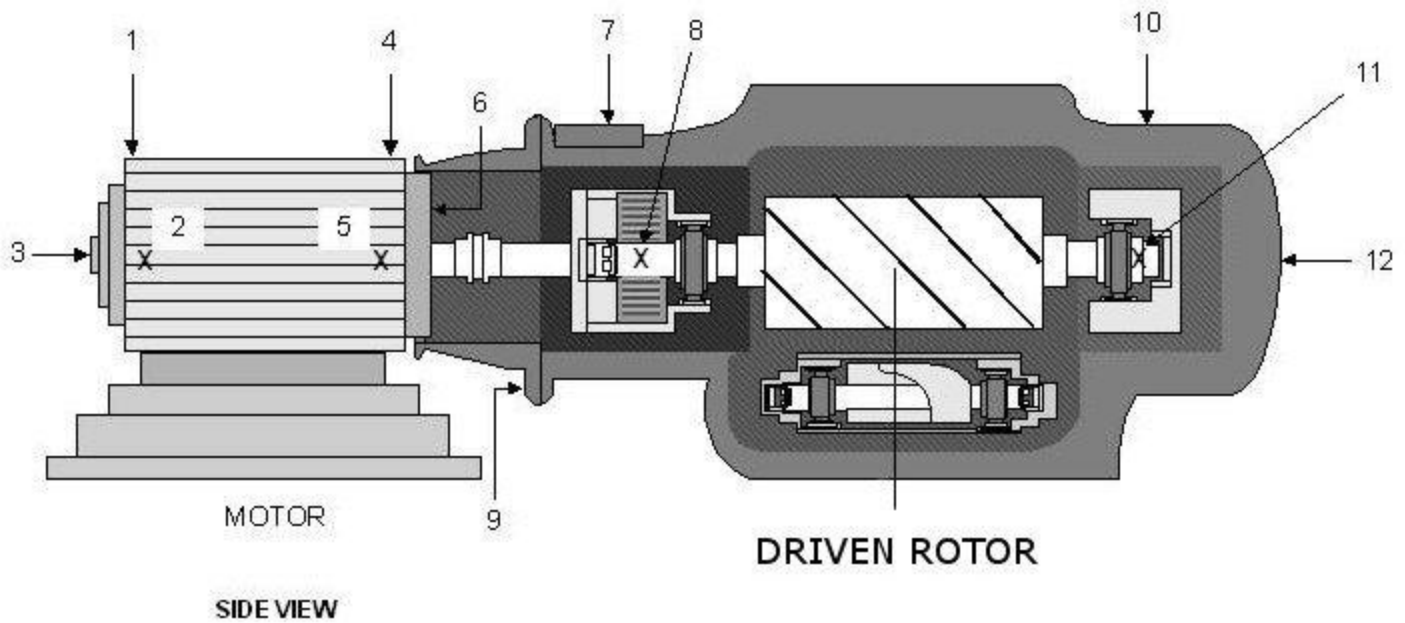


## TOP VIEW

### **\*SENSOR MOUNTING TABS REQUIRED** **MEASUREMENT POINTS**

- |                                  |                                 |
|----------------------------------|---------------------------------|
| 1) MOTOR OFF-END VERTICAL        | 13) STAGE 1 OUTBOARD VERTICAL   |
| 2) MOTOR OFF-END HORIZONTAL      | 14) STAGE 1 OUTBOARD HORIZONTAL |
| 3) MOTOR OFF-END AXIAL           | 15) STAGE 1 OUTBOARD AXIAL      |
| 4) MOTOR DRIVE-END VERTICAL      | 16) STAGE 1 INBOARD VERTICAL    |
| 5) MOTOR DRIVE-END HORIZONTAL    | 17) STAGE 1 INBOARD HORIZONTAL  |
| 6) MOTOR DRIVE-END AXIAL         | 18) STAGE 1 INBOARD AXIAL       |
| 7) GEAR BOX INBOARD VERTICAL     | 19) STAGE 2 OUTBOARD VERTICAL   |
| 8) GEAR BOX INBOARD HORIZONTAL   | 20) STAGE 2 OUTBOARD HORIZONTAL |
| 9) GEAR BOX INBOARD AXIAL        | 21) STAGE 2 OUTBOARD AXIAL      |
| 10) GEAR BOX OUTBOARD VERTICAL   | 22) STAGE 2 INBOARD VERTICAL    |
| 11) GEAR BOX OUTBOARD HORIZONTAL | 23) STAGE 2 INBOARD HORIZONTAL  |
| 12) GEAR BOX OUTBOARD AXIAL      | 24) STAGE 2 INBOARD AXIAL       |

# Ingersoll Rand

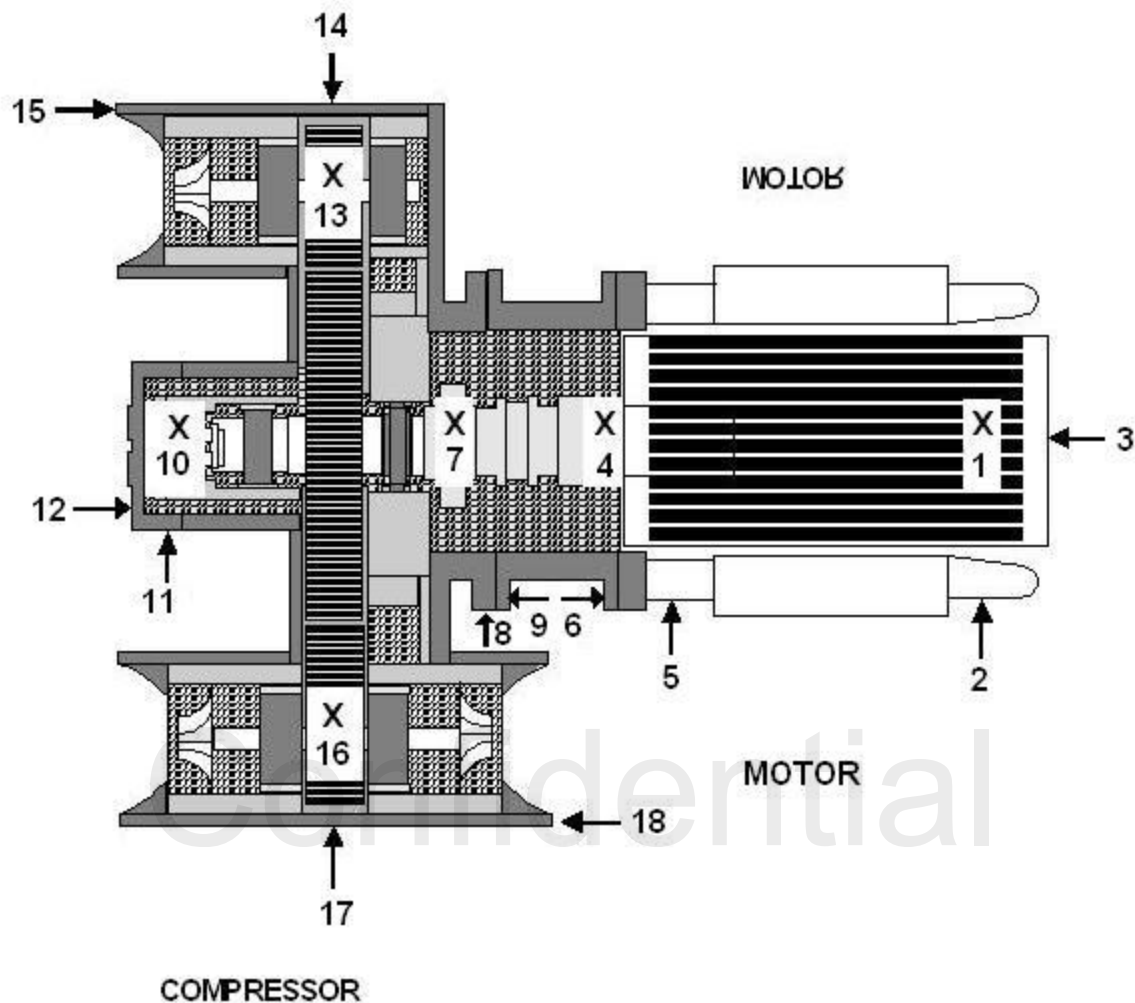


## MEASUREMENT POINTS

**\*SENSOR MOUNTING TABS REQUIRED**

- |                             |                                    |
|-----------------------------|------------------------------------|
| 1. Motor Off End Vertical   | 7. Compressor Inboard Vertical     |
| 2. Motor Off End Horizontal | 8. Compressor Inboard Horizontal   |
| 3. Motor Off End Axial      | 9. Compressor Inboard Axial        |
| 4. Motor Drive Vertical     | 10. Compressor Outboard Vertical   |
| 5. Motor Drive Horizontal   | 11. Compressor Outboard Horizontal |
| 6. Motor Drive Axial        | 12. Compressor Outboard Axial      |

# JOY TURBOAIR



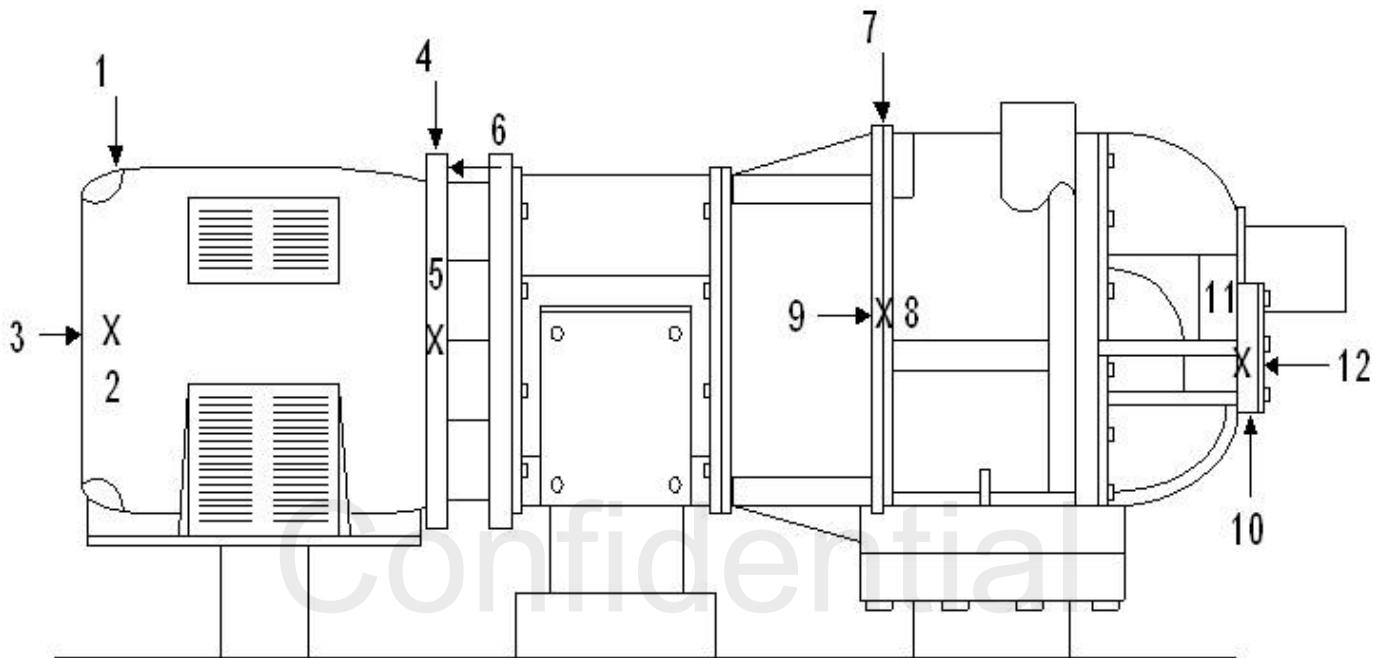
## Top View

**\*SENSOR MOUNTING TABS REQUIRED**

### MEASUREMENT POINTS

- |                                  |                                    |
|----------------------------------|------------------------------------|
| 1) MOTOR OFF-END VERTICAL        | 10) COMPRESSOR OUTBOARD VERTICAL   |
| 2) MOTOR OFF-END HORIZONTAL      | 11) COMPRESSOR OUTBOARD HORIZONTAL |
| 3) MOTOR OFF-END AXIAL           | 12) COMPRESSOR OUTBOARD AXIAL      |
| 4) MOTOR DRIVE-END VERTICAL      | 13) 1 STAGE VERTICAL               |
| 5) MOTOR DRIVE-END HORIZONTAL    | 14) 1 STAGE HORIZONTAL             |
| 6) MOTOR DRIVE-END AXIAL         | 15) 1 STAGE AXIAL                  |
| 7) COMPRESSOR INBOARD VERTICAL   | 16) 2-3 STAGE VERTICAL             |
| 8) COMPRESSOR INBOARD HORIZONTAL | 17) 2-3 STAGE HORIZONTAL           |
| 9) COMPRESSOR INBOARD AXIAL      | 18) 2-3 STAGE AXIAL                |

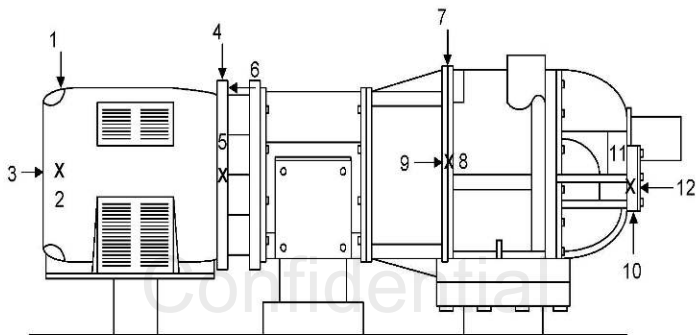
# Joy



## MEASUREMENT POINTS

- |                      |                       |
|----------------------|-----------------------|
| 1 - MOTOF Vertical   | 7 - COMIB Vertical    |
| 2 - MOTOF Horizontal | 8 - COMIB Horizontal  |
| 3 - MOTOF Axial      | 9 - COMIB Axial       |
| 4 - MOTDR Vertical   | 10 - COMOB Vertical   |
| 5 - MOTDR Horizontal | 11 - COMOB Horizontal |
| 6 - MOTDR Axial      | 12 - COMOB Axial      |

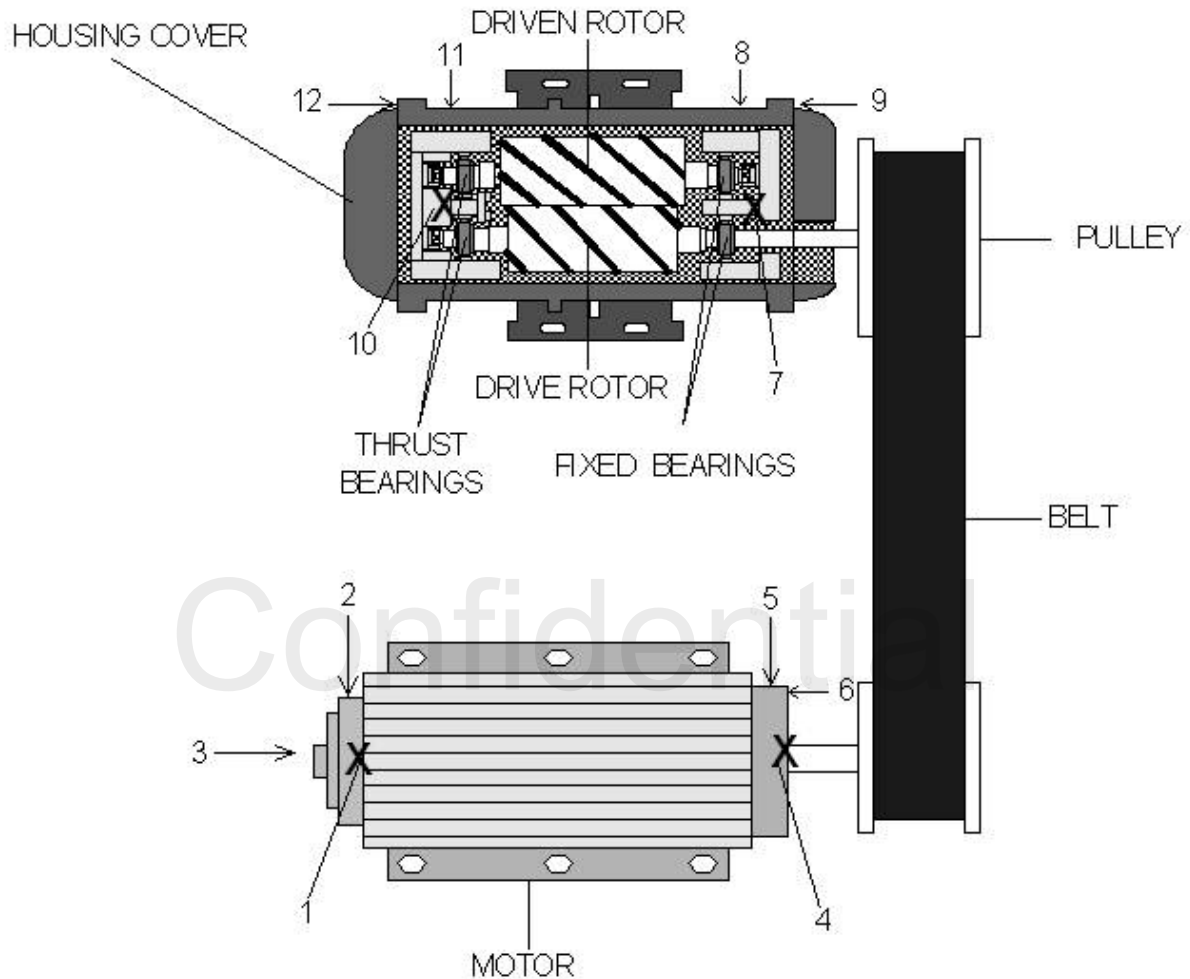
# Kaeser Direct Drive



## MEASUREMENT POINTS

- |                      |                       |
|----------------------|-----------------------|
| 1 - MOTOF Vertical   | 7 - COMIB Vertical    |
| 2 - MOTOF Horizontal | 8 - COMIB Horizontal  |
| 3 - MOTOF Axial      | 9 - COMIB Axial       |
| 4 - MOTDR Vertical   | 10 - COMOB Vertical   |
| 5 - MOTDR Horizontal | 11 - COMOB Horizontal |
| 6 - MOTDR Axial      | 12 - COMOB Axial      |

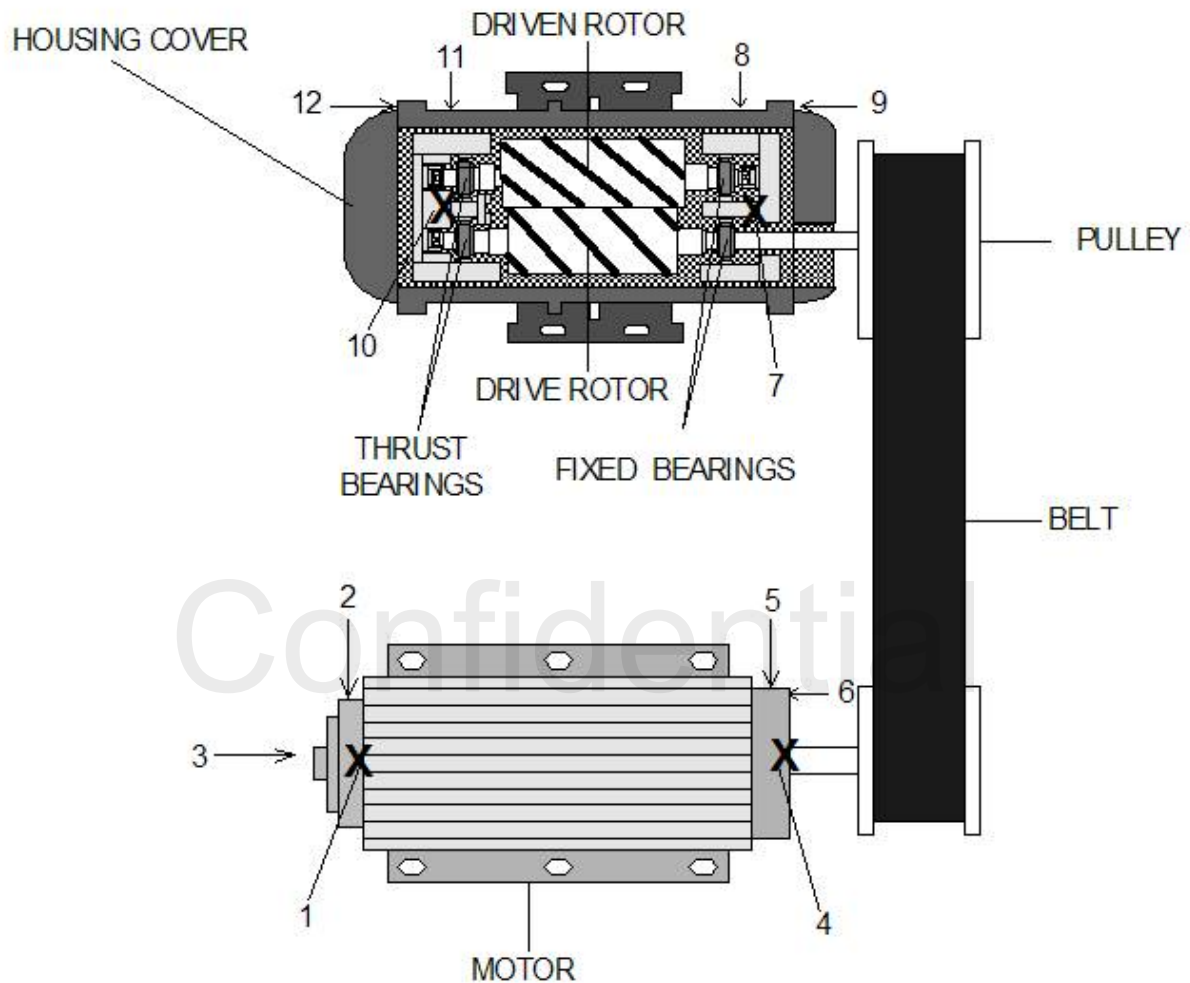
# KAESER ES250



## MEASUREMENT POINTS

- |                              |                                 |
|------------------------------|---------------------------------|
| 1 - Motor Off-End Vertical   | 7 - Blower Inboard Vertical     |
| 2 - Motor Off-End Horizontal | 8 - Blower Inboard Horizontal   |
| 3 - Motor Off-End Axial      | 9 - Blower Inboard Axial        |
| 4 - Motor Drive Vertical     | 10 - Blower Outboard Vertical   |
| 5 - Motor Drive Horizontal   | 11 - Blower Outboard Horizontal |
| 6 - Motor Drive Axial        | 12 - Blower Outboard Axial      |

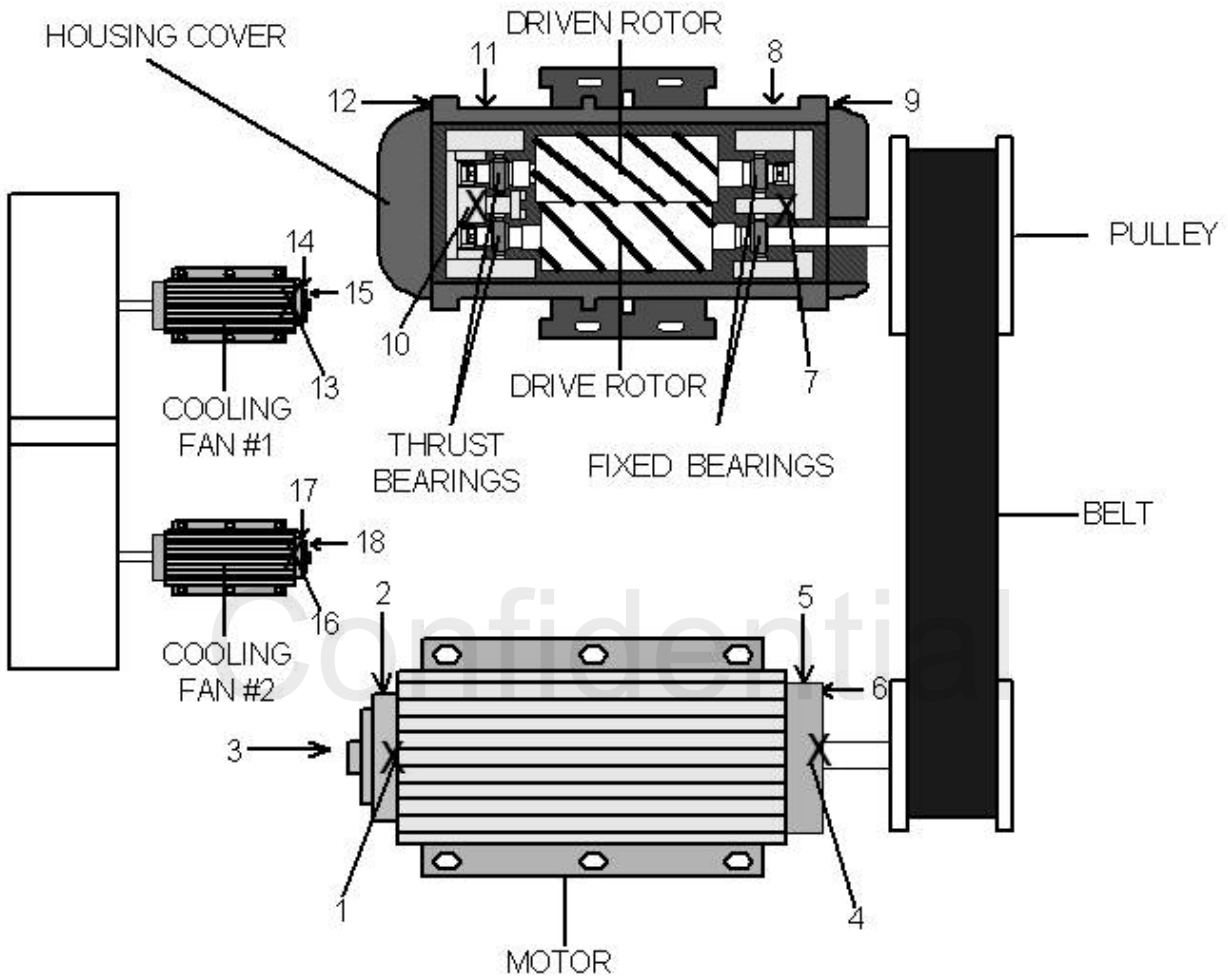
# KAESER ES350



## MEASUREMENT POINTS

- |                              |                                 |
|------------------------------|---------------------------------|
| 1 - Motor Off-End Vertical   | 7 - Blower Inboard Vertical     |
| 2 - Motor Off-End Horizontal | 8 - Blower Inboard Horizontal   |
| 3 - Motor Off-End Axial      | 9 - Blower Inboard Axial        |
| 4 - Motor Drive Vertical     | 10 - Blower Outboard Vertical   |
| 5 - Motor Drive Horizontal   | 11 - Blower Outboard Horizontal |
| 6 - Motor Drive Axial        | 12 - Blower Outboard Axial      |

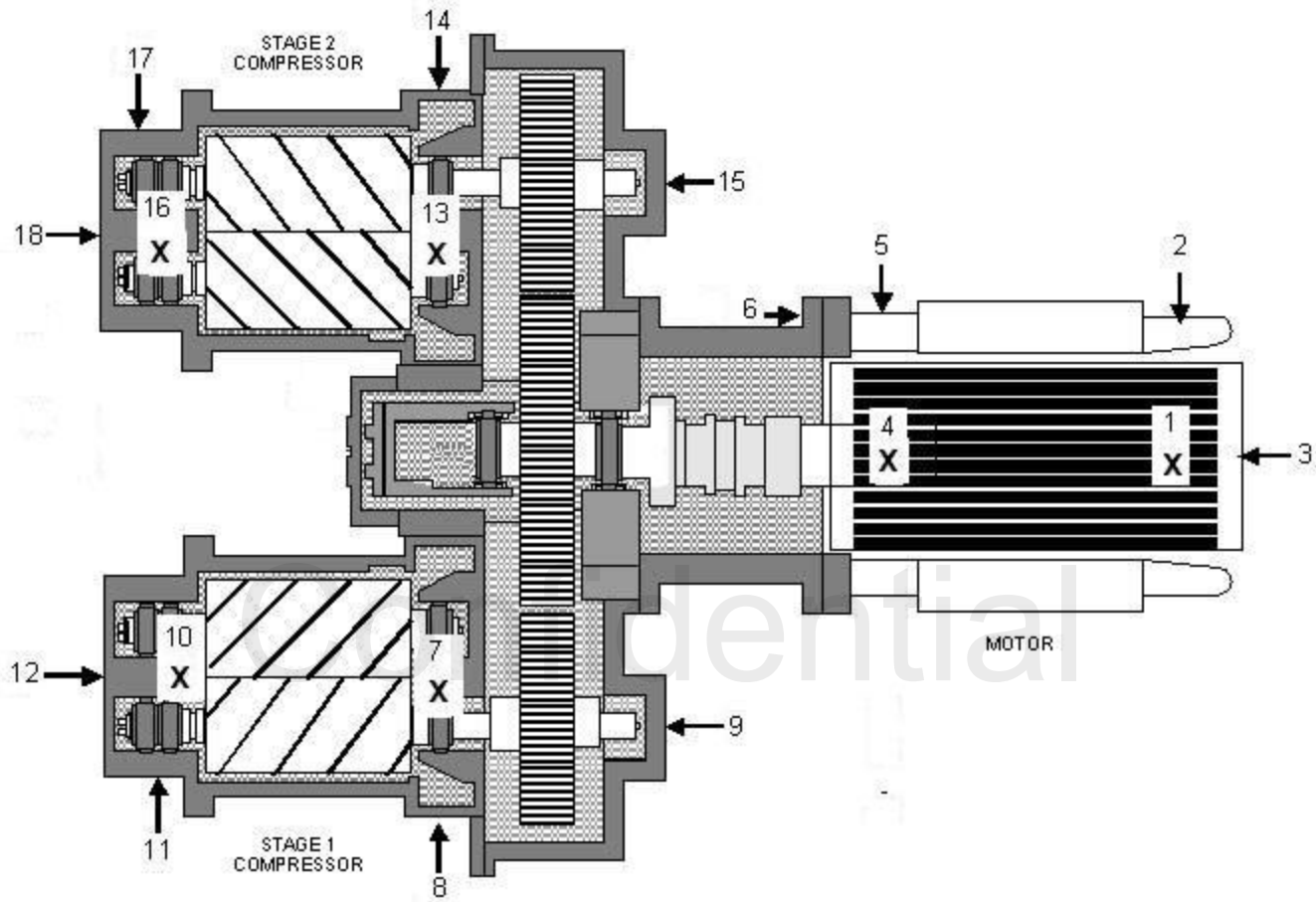
# KAESER



## MEASUREMENT POINTS

- |                               |                                 |
|-------------------------------|---------------------------------|
| 1 - Motor Off-End Vertical    | 10 - Blower Outboard Vertical   |
| 2 - Motor Off-End Horizontal  | 11 - Blower Outboard Horizontal |
| 3 - Motor Off-End Axial       | 12 - Blower Outboard Axial      |
| 4 - Motor Drive Vertical      | 13 - Cooling Fan Vertical       |
| 5 - Motor Drive Horizontal    | 14 - Cooling Fan Horizontal     |
| 6 - Motor Drive Axial         | 15 - Cooling Fan Axial          |
| 7 - Blower Inboard Vertical   | 16 - Cooling Fan Vertical       |
| 8 - Blower Inboard Horizontal | 17 - Cooling Fan Horizontal     |
| 9 - Blower Inboard Axial      | 18 - Cooling Fan Axial          |

# Kobelco KNW

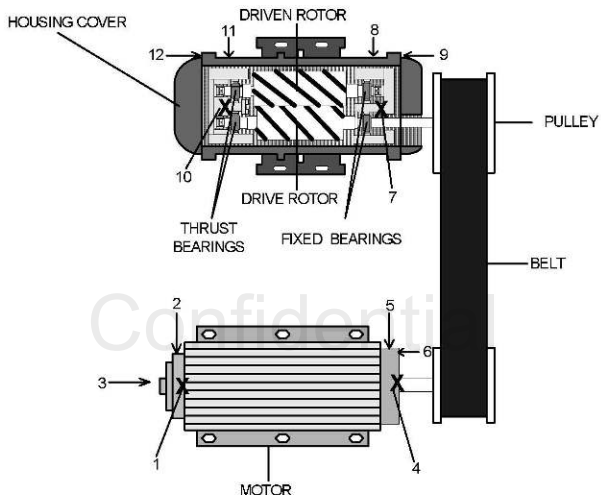


TOP VIEW

**\*SENSOR MOUNTING TABS REQUIRED**  
**MEASUREMENT POINTS**

- |                                            |                                            |
|--------------------------------------------|--------------------------------------------|
| 1) Motor Off-end Vertical                  | 13) Stage 2 Compressor Inboard Vertical    |
| 2) Motor Off-end Horizontal                | 14) Stage 2 Compressor Inboard Horizontal  |
| 3) Motor Off-end Axial                     | 15) Stage 2 Compressor Inboard Axial       |
| 4) Motor Drive-end Vertical                | 16) Stage 2 Compressor Outboard Vertical   |
| 5) Motor Drive-end Horizontal              | 17) Stage 2 Compressor Outboard Horizontal |
| 6) Motor Drive-end Axial                   | 18) Stage 2 Compressor Outboard Axial      |
| 7) Stage 1 Compressor Inboard Vertical     |                                            |
| 8) Stage 1 Compressor Inboard Horizontal   |                                            |
| 9) Stage 1 Compressor Inboard Axial        |                                            |
| 10) Stage 1 Compressor Outboard Vertical   |                                            |
| 11) Stage 1 Compressor Outboard Horizontal |                                            |
| 12) Stage 1 Compressor Outboard Axial      |                                            |

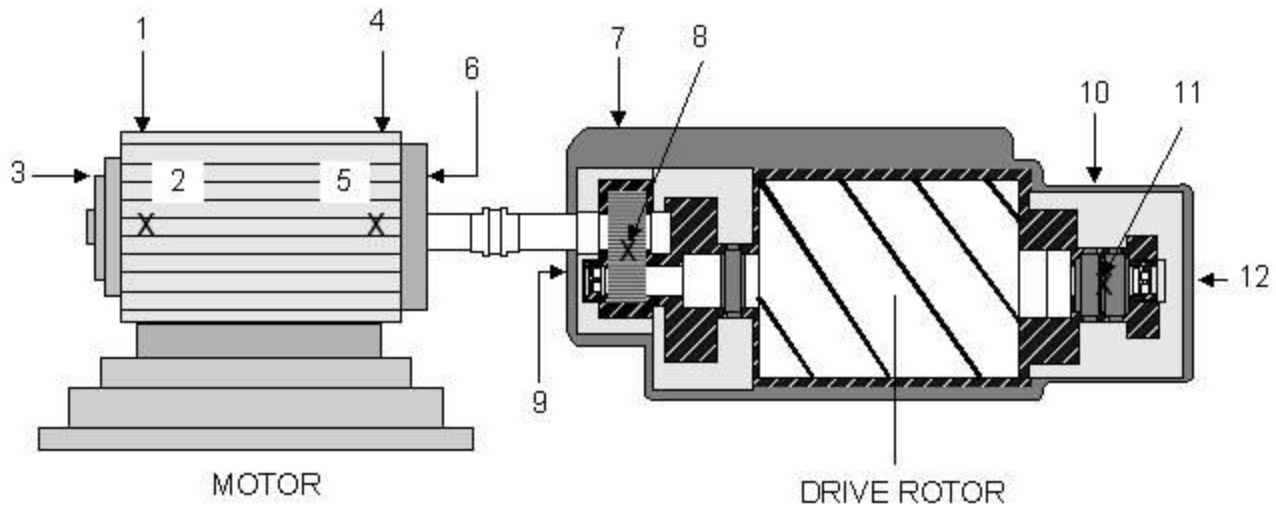
# Leroi CL50



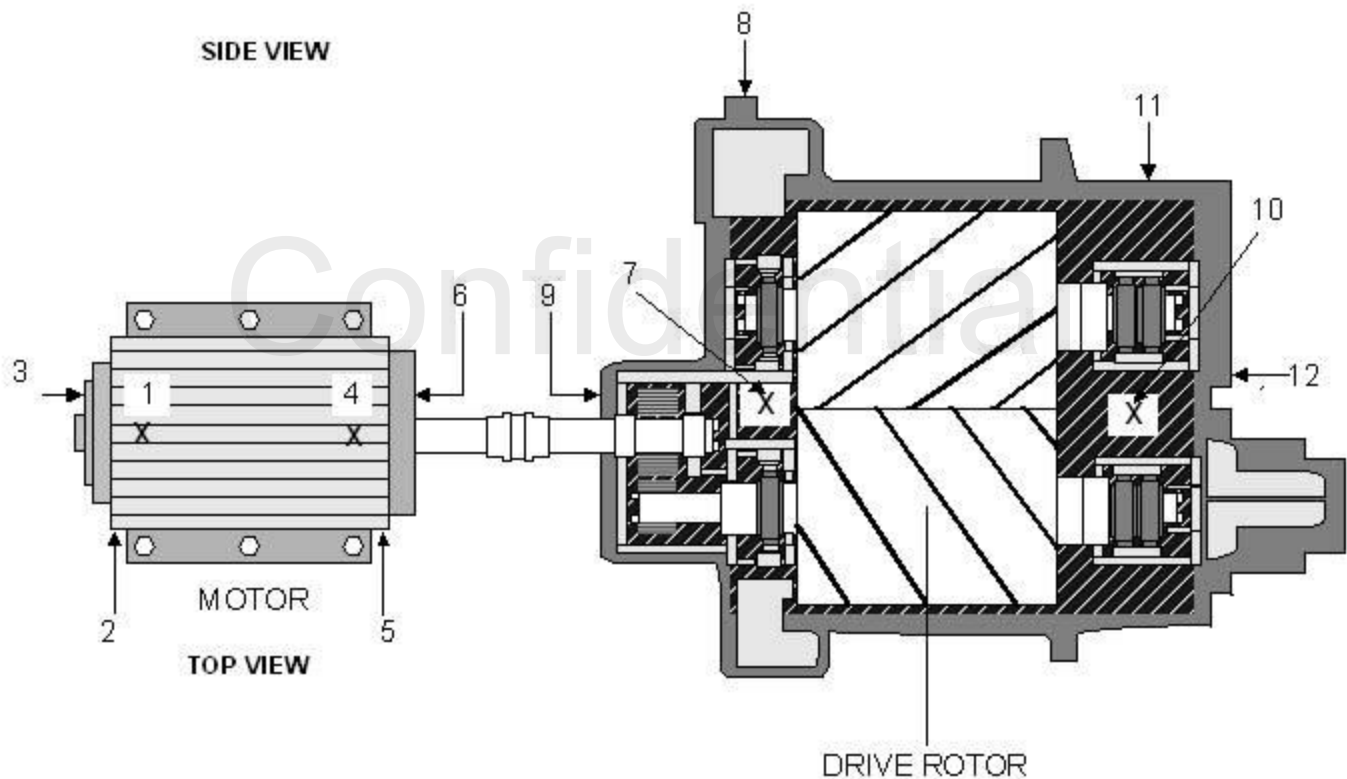
## MEASUREMENT POINTS

- |                              |                                 |
|------------------------------|---------------------------------|
| 1 - Motor Off-End Vertical   | 7 - Blower Inboard Vertical     |
| 2 - Motor Off-End Horizontal | 8 - Blower Inboard Horizontal   |
| 3 - Motor Off-End Axial      | 9 - Blower Inboard Axial        |
| 4 - Motor Drive Vertical     | 10 - Blower Outboard Vertical   |
| 5 - Motor Drive Horizontal   | 11 - Blower Outboard Horizontal |
| 6 - Motor Drive Axial        | 12 - Blower Outboard Axial      |

# LEROI WE



SIDE VIEW

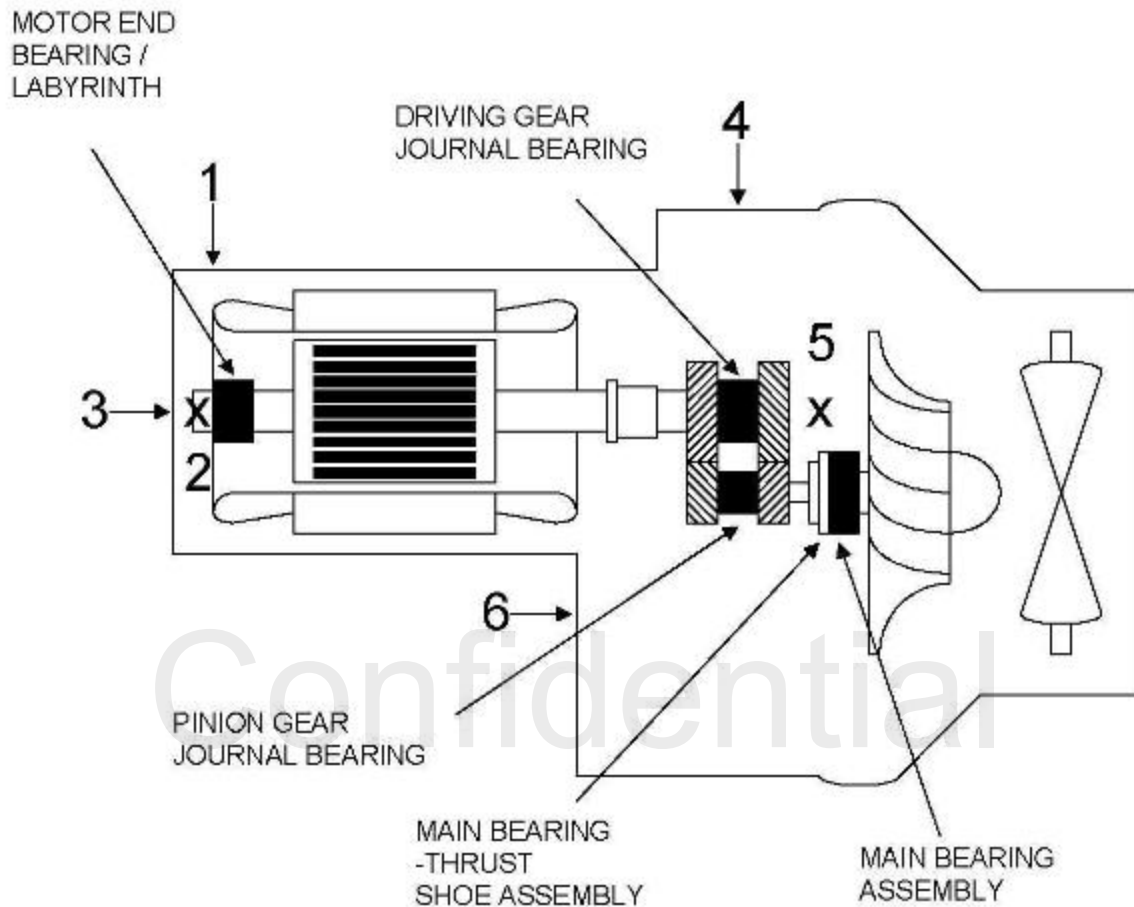


TOP VIEW

**\*SENSOR MOUNTING TABS REQUIRED**  
**MEASUREMENT POINTS**

- |                             |                                    |
|-----------------------------|------------------------------------|
| 1. Motor Off End Vertical   | 7. Compressor Inboard Vertical     |
| 2. Motor Off End Horizontal | 8. Compressor Inboard Horizontal   |
| 3. Motor Off End Axial      | 9. Compressor Inboard Axial        |
| 4. Motor Drive Vertical     | 10. Compressor Outboard Vertical   |
| 5. Motor Drive Horizontal   | 11. Compressor Outboard Horizontal |
| 6. Motor Drive Axial        | 12. Compressor Outboard Axial      |

# LUKE TURBO CHILLER



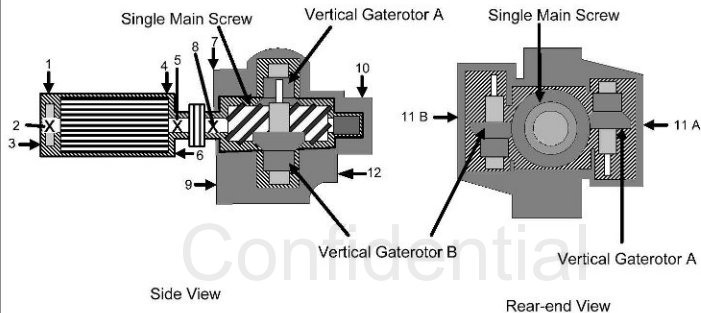
**\*SENSOR MOUNTING TABS REQUIRED**

## MEASUREMENT POINTS

- 1 - Motor Vertical
- 2 - Motor Horizontal
- 3 - Motor Axial

- 4 - Compressor Vertical
- 5 - Compressor Horizontal
- 6 - Compressor Axial

# McQuay ALS

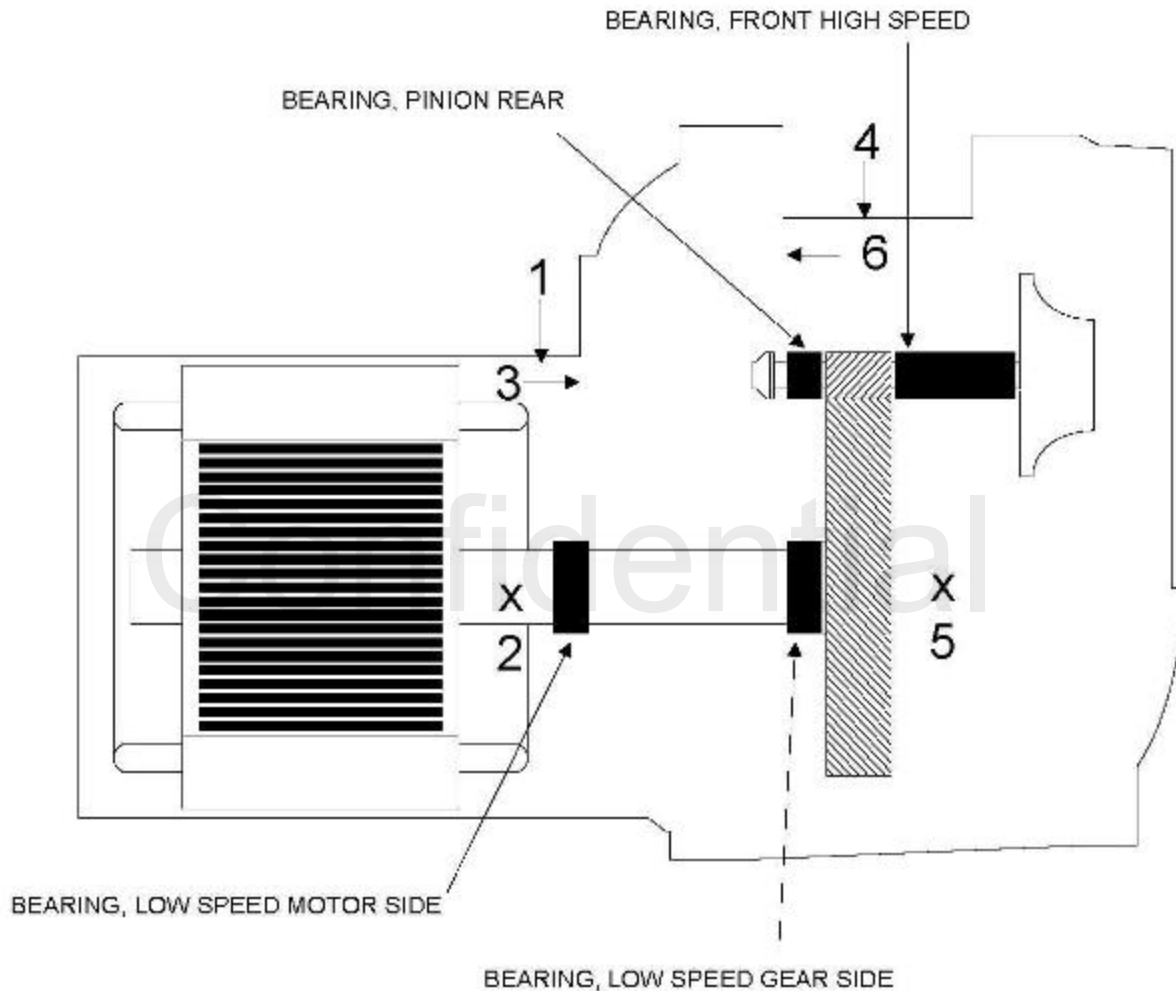


## MEASUREMENT POINTS

- |                                |                                 |
|--------------------------------|---------------------------------|
| 1 - Motor Offend Vertical      | 7 - Compressor Drive Vertical   |
| 2 - Motor Offend Horizontal    | 8 - Compressor Drive Horizontal |
| 3 - Motor Offend Axial         | 9 - Compressor Drive Axial      |
| 4 - Motor Drive End Vertical   | 10 - Compressor Offend Vertical |
| 5 - Motor Drive End Horizontal | 11A - Compressor Offend Horz. A |
| 6 - Motor Drive End Axial      | 11B - Compressor Offend Horz. B |
|                                | 12 - Compressor Offend Axial    |



# MCQUAY/WESTINGHOUSE CE047



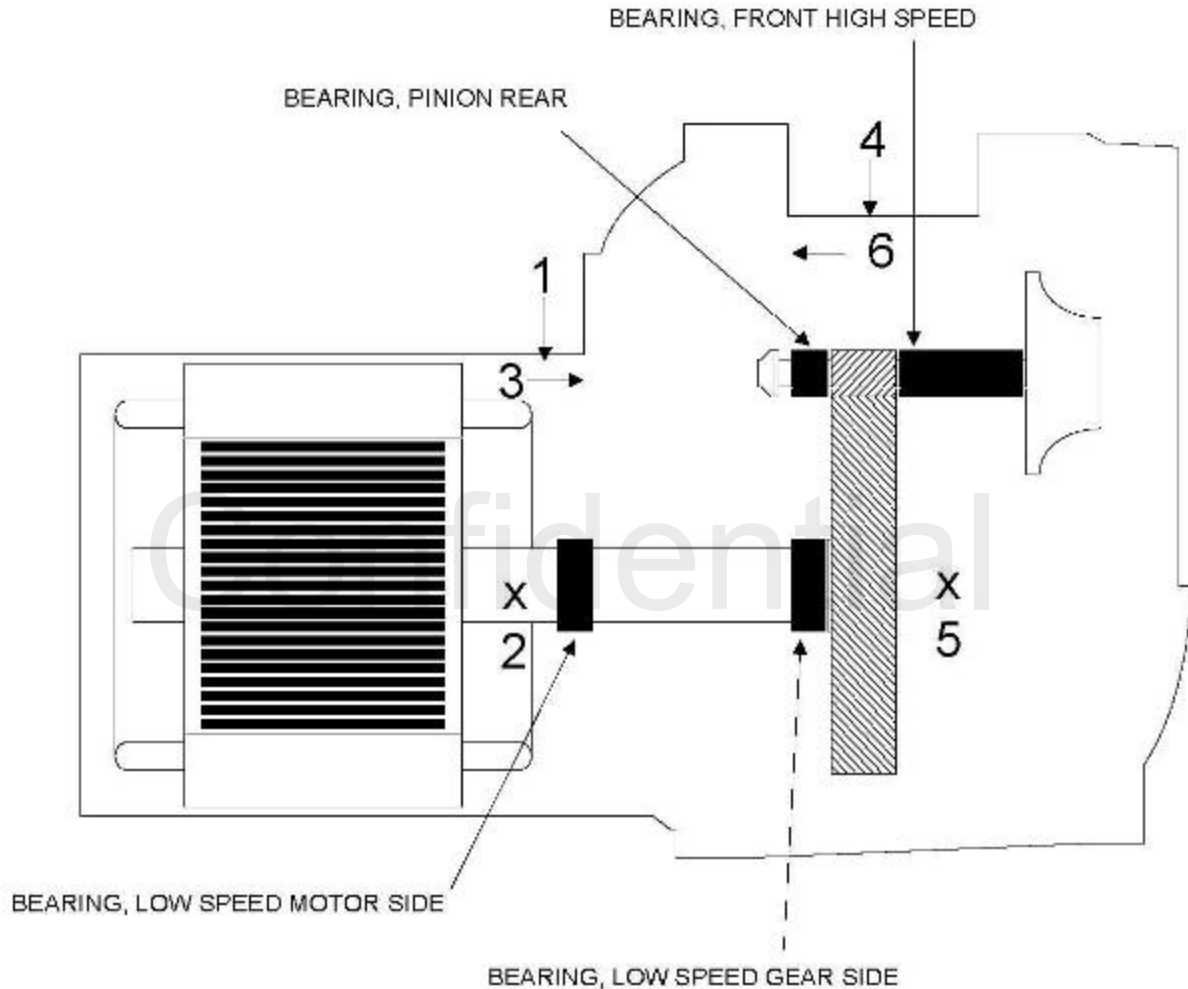
**\*SENSOR MOUNTING TABS REQUIRED**

## MEASUREMENT POINTS

- 1 - Motor Vertical
- 2 - Motor Horizontal
- 3 - Motor Axial

- 4 - Compressor Vertical
- 5 - Compressor Horizontal
- 6 - Compressor Axial

# MCQUAY/WESTINGHOUSE CE048

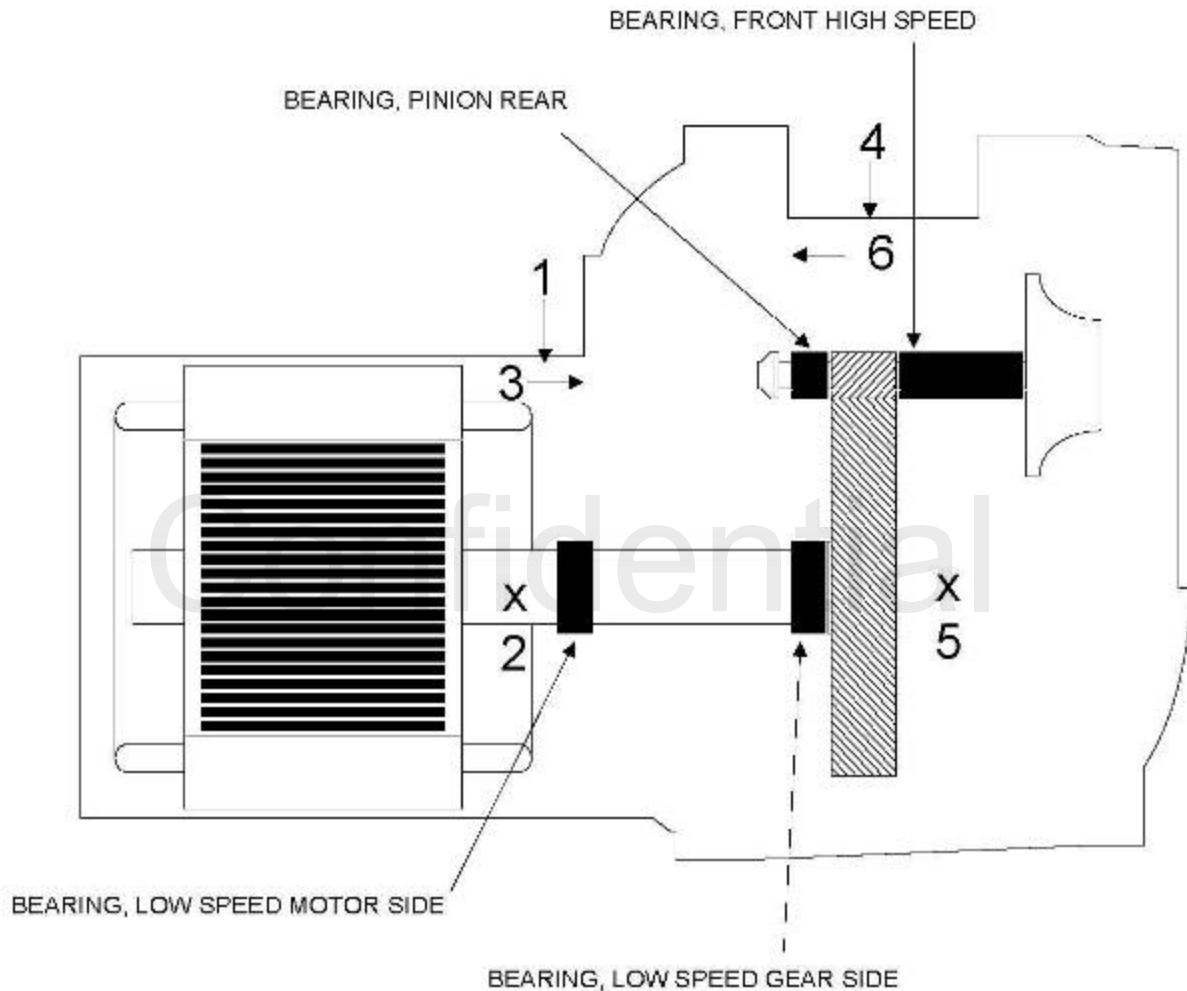


**\*SENSOR MOUNTING TABS REQUIRED**

## MEASUREMENT POINTS

- |                      |                           |
|----------------------|---------------------------|
| 1 - Motor Vertical   | 4 - Compressor Vertical   |
| 2 - Motor Horizontal | 5 - Compressor Horizontal |
| 3 - Motor Axial      | 6 - Compressor Axial      |

# MCQUAY/WESTINGHOUSE CE050



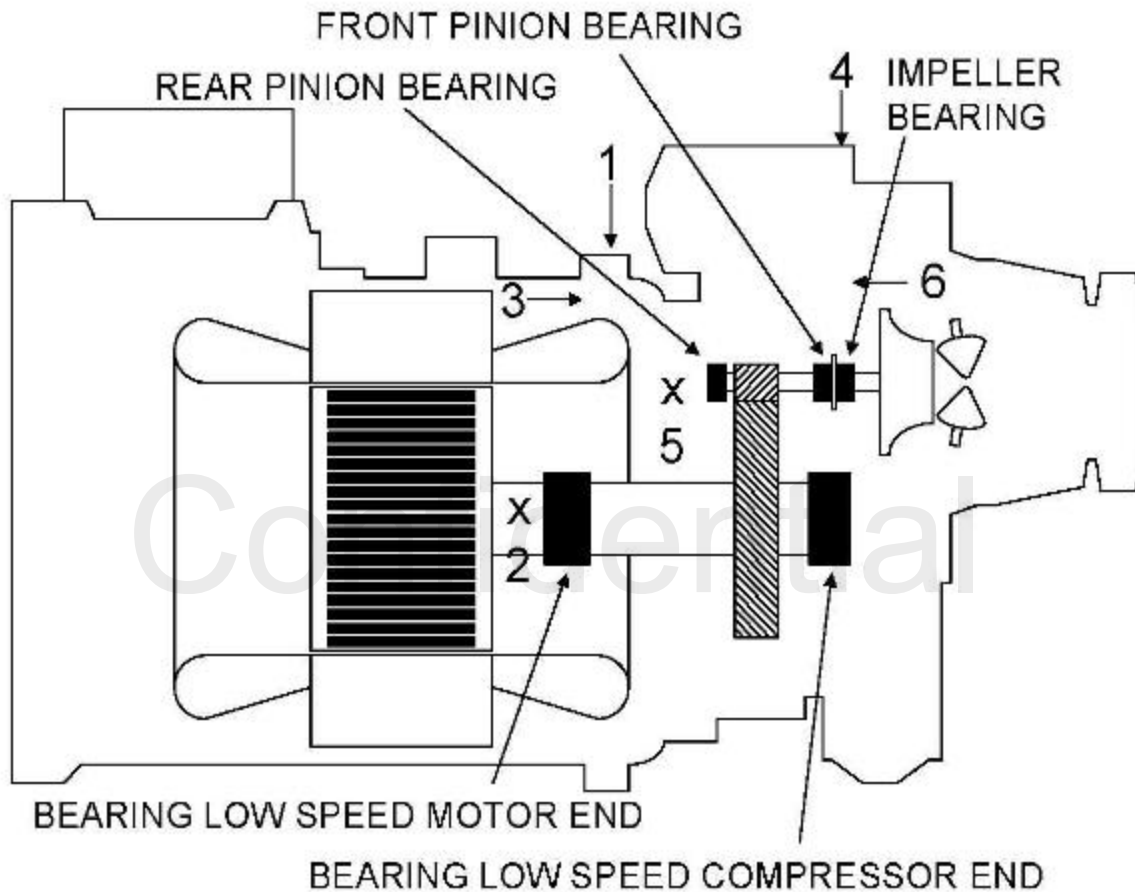
**\*SENSOR MOUNTING TABS REQUIRED**

## MEASUREMENT POINTS

- 1 - Motor Vertical
- 2 - Motor Horizontal
- 3 - Motor Axial

- 4 - Compressor Vertical
- 5 - Compressor Horizontal
- 6 - Compressor Axial

# MCQUAY/WESTINGHOUSE CE063

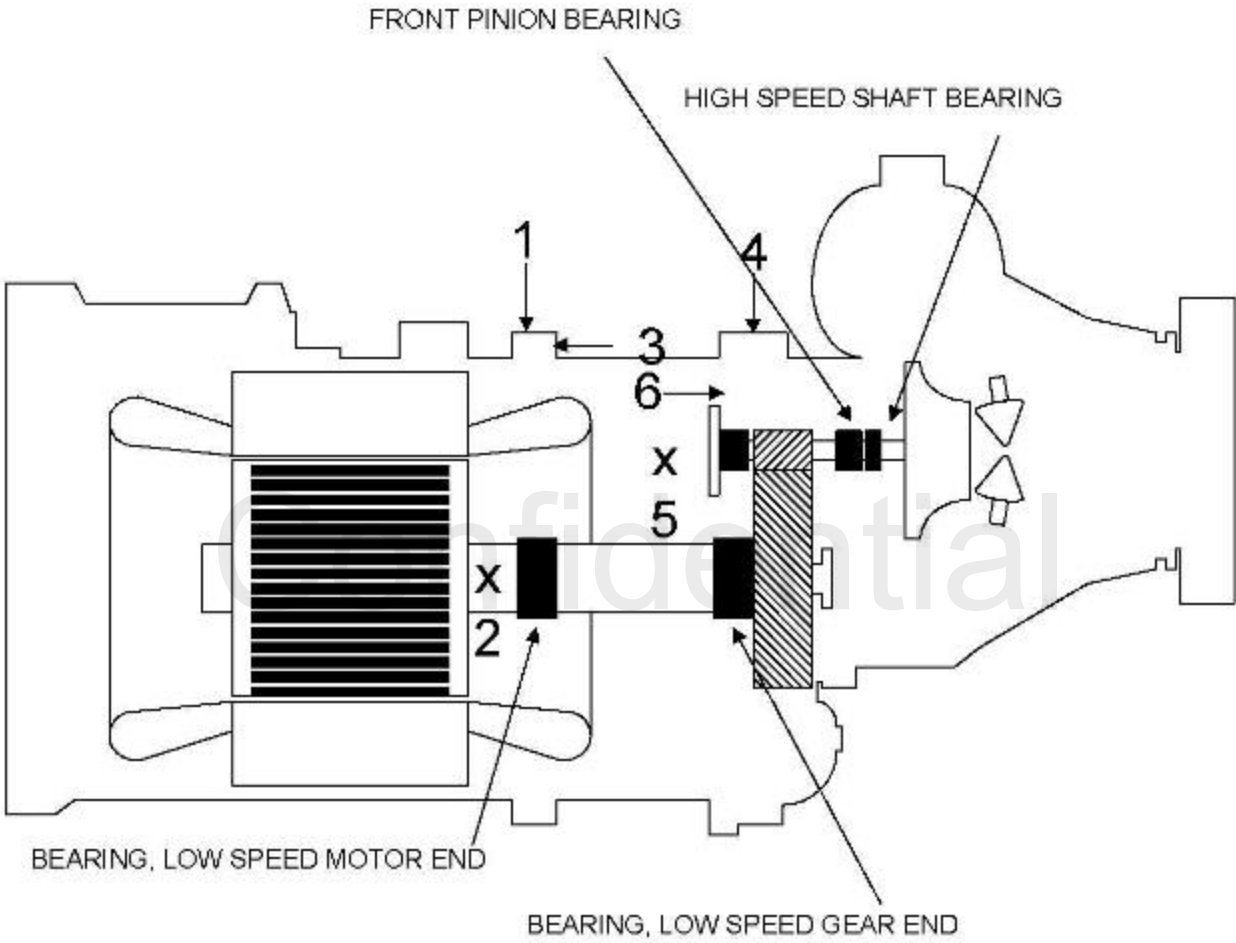


**\*SENSOR MOUNTING TABS REQUIRED**

## MEASUREMENT POINTS

- |                      |                           |
|----------------------|---------------------------|
| 1 - Motor Vertical   | 4 - Compressor Vertical   |
| 2 - Motor Horizontal | 5 - Compressor Horizontal |
| 3 - Motor Axial      | 6 - Compressor Axial      |

# MCQUAY/WESTINGHOUSE CE076

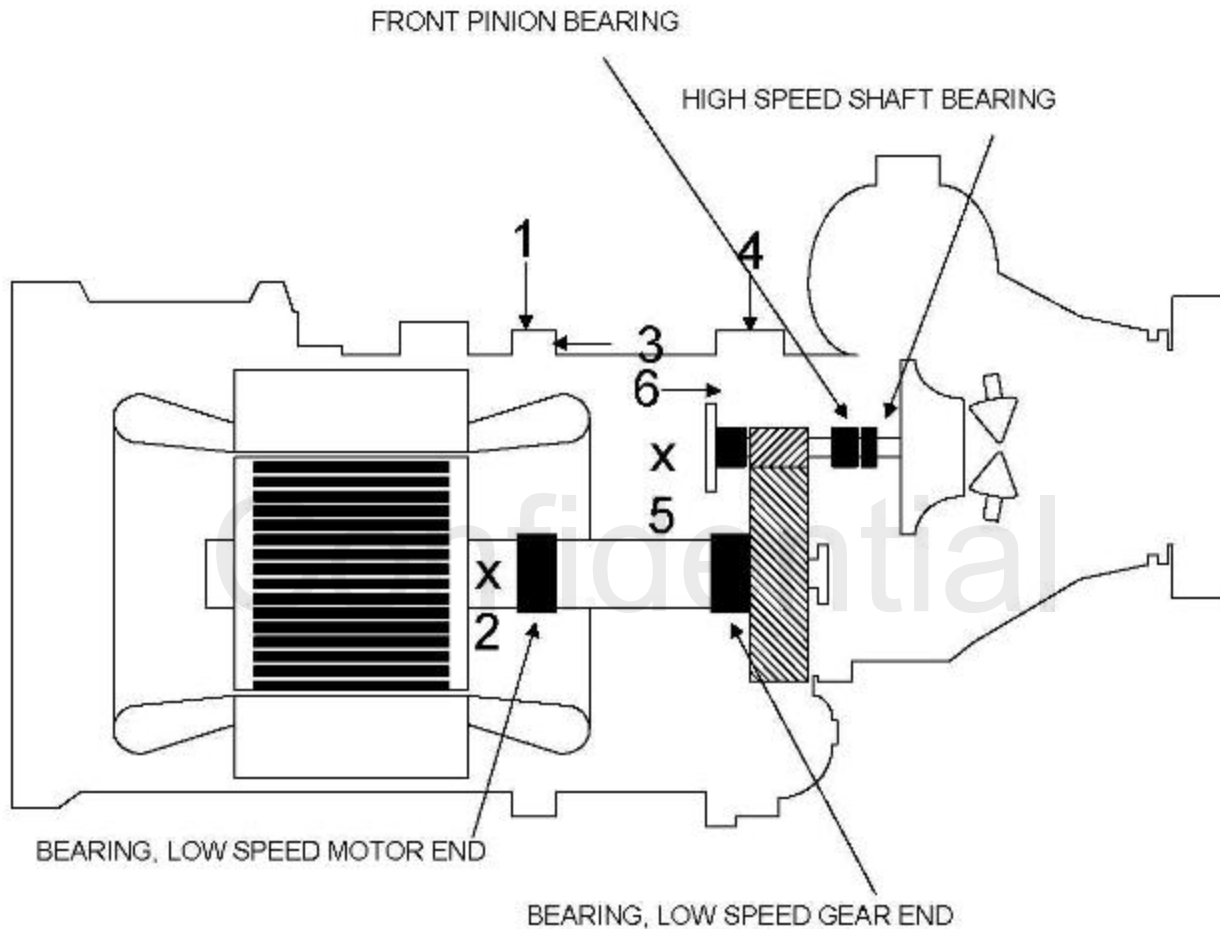


**\*SENSOR MOUNTING TABS REQUIRED**

## MEASUREMENT POINTS

- 1 - Motor Vertical
- 2 - Motor Horizontal
- 3 - Motor Axial
- 4 - Compressor Vertical
- 5 - Compressor Horizontal
- 6 - Compressor Axial

# MCQUAY/WESTINGHOUSE CE079

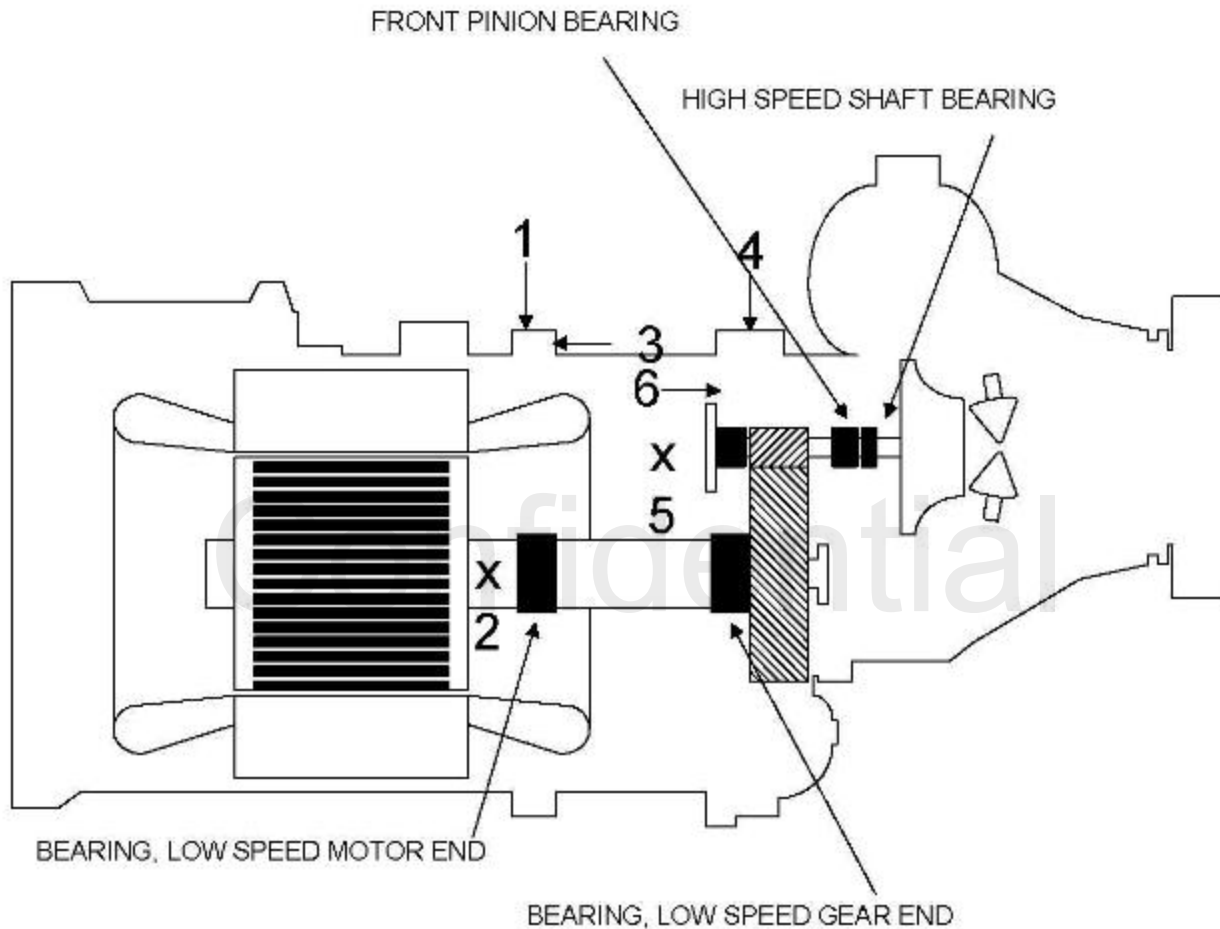


**\*SENSOR MOUNTING TABS REQUIRED**

## MEASUREMENT POINTS

- |                      |                           |
|----------------------|---------------------------|
| 1 - Motor Vertical   | 4 - Compressor Vertical   |
| 2 - Motor Horizontal | 5 - Compressor Horizontal |
| 3 - Motor Axial      | 6 - Compressor Axial      |

# MCQUAY/WESTINGHOUSE CE087

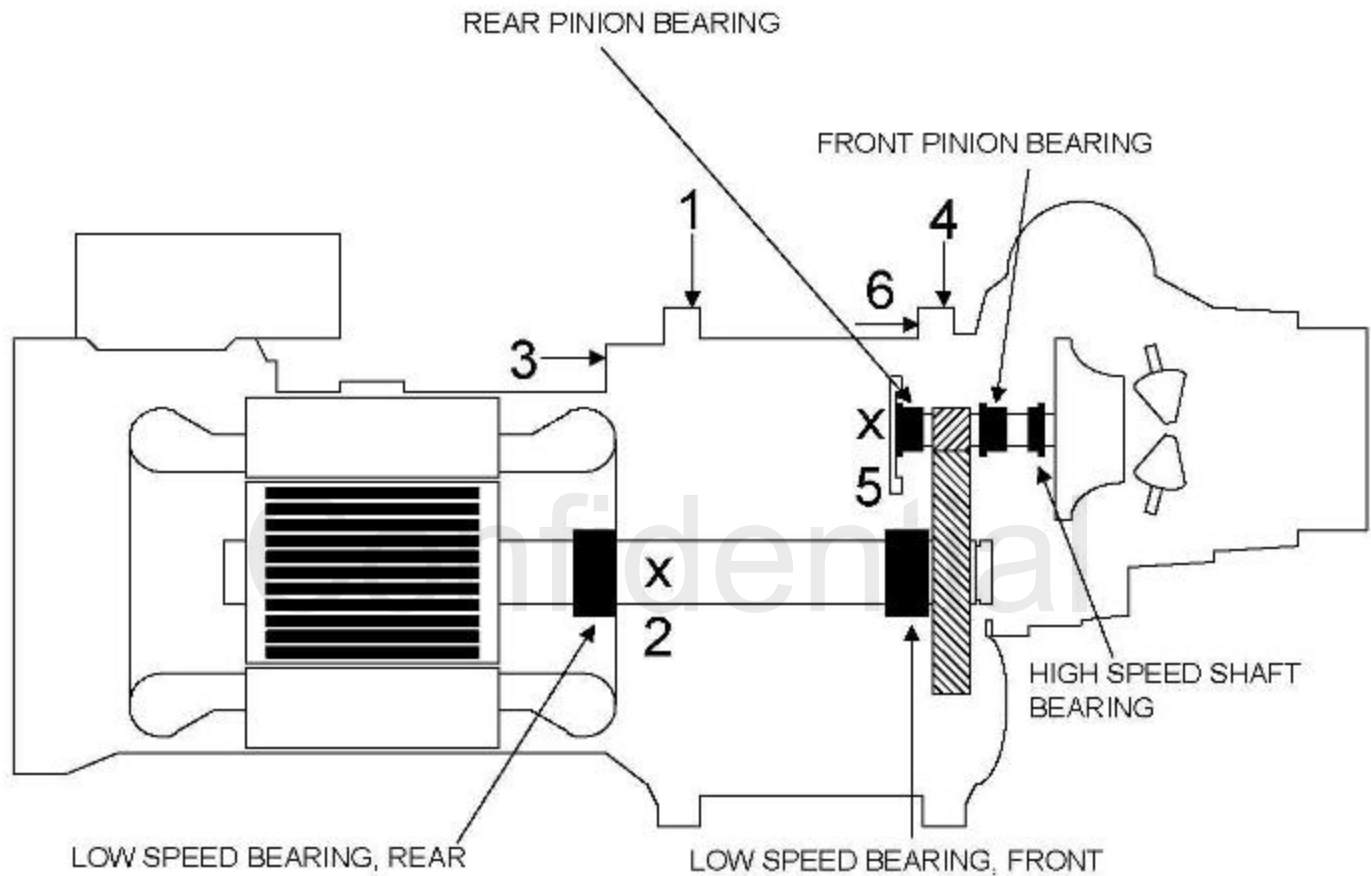


**\*SENSOR MOUNTING TABS REQUIRED**

## MEASUREMENT POINTS

- |                      |                           |
|----------------------|---------------------------|
| 1 - Motor Vertical   | 4 - Compressor Vertical   |
| 2 - Motor Horizontal | 5 - Compressor Horizontal |
| 3 - Motor Axial      | 6 - Compressor Axial      |

# MCQUAY/WESTINGHOUSE CE100

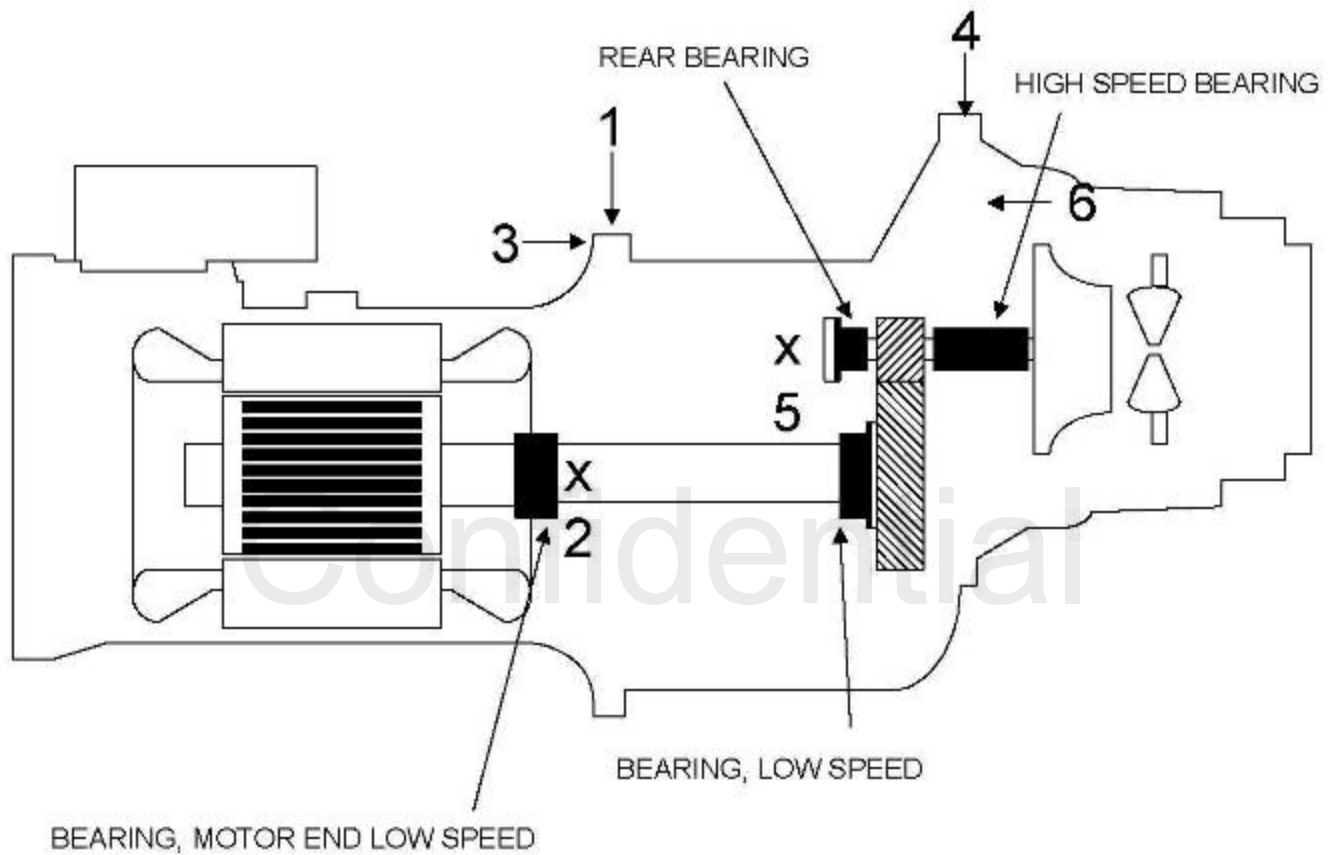


**\*SENSOR MOUNTING TABS REQUIRED**

## MEASUREMENT POINTS

- |                      |                           |
|----------------------|---------------------------|
| 1 - Motor Vertical   | 4 - Compressor Vertical   |
| 2 - Motor Horizontal | 5 - Compressor Horizontal |
| 3 - Motor Axial      | 6 - Compressor Axial      |

# MCQUAY/WESTINGHOUSE CE113



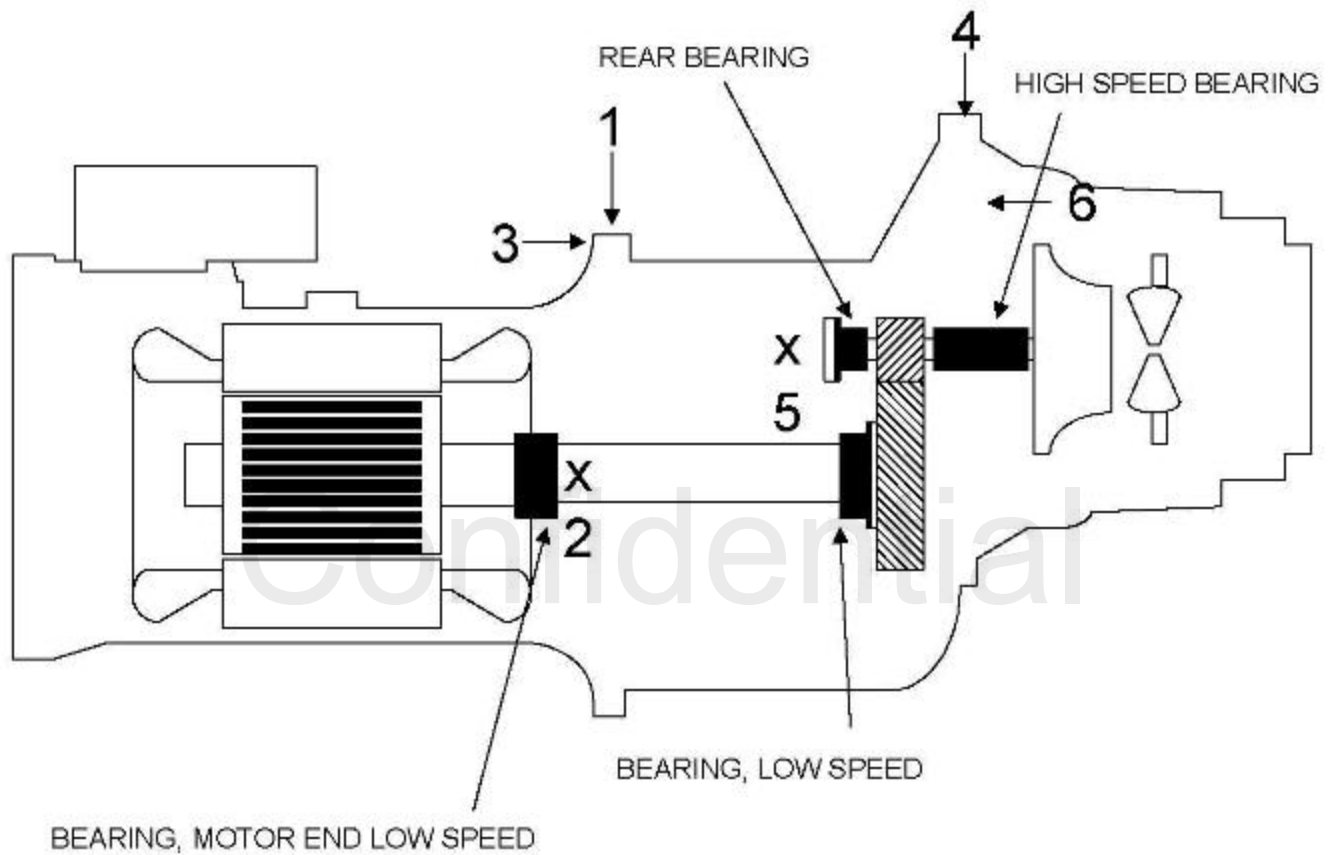
**\*SENSOR MOUNTING TABS REQUIRED**

## MEASUREMENT POINTS

- 1 - Motor Vertical
- 2 - Motor Horizontal
- 3 - Motor Axial

- 4 - Compressor Vertical
- 5 - Compressor Horizontal
- 6 - Compressor Axial

# MCQUAY/WESTINGHOUSE CE126



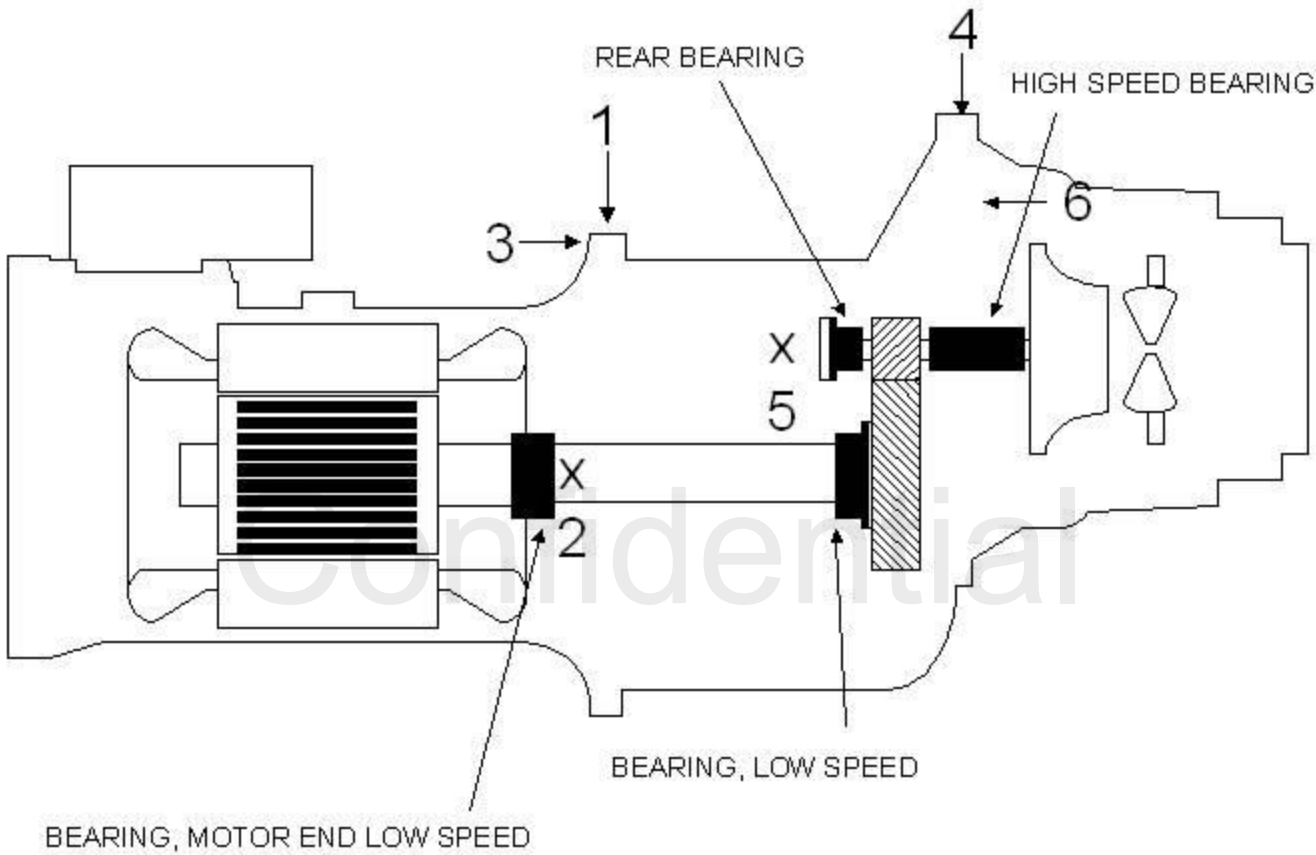
**\*SENSOR MOUNTING TABS REQUIRED**

## MEASUREMENT POINTS

- 1 - Motor Vertical
- 2 - Motor Horizontal
- 3 - Motor Axial

- 4 - Compressor Vertical
- 5 - Compressor Horizontal
- 6 - Compressor Axial

# MCQUAY/WESTINGHOUSE CE129

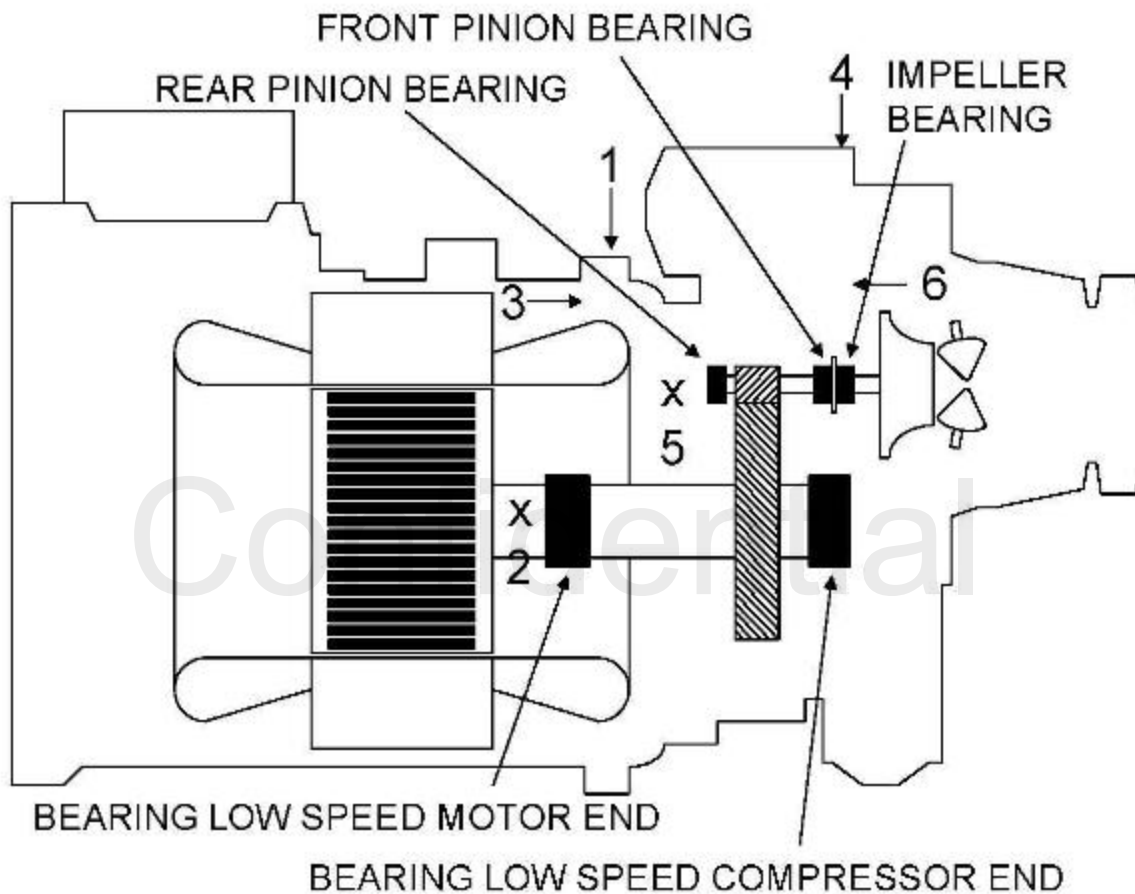


**\*SENSOR MOUNTING TABS REQUIRED**

## MEASUREMENT POINTS

- 1 - Motor Vertical
- 2 - Motor Horizontal
- 3 - Motor Axial
- 4 - Compressor Vertical
- 5 - Compressor Horizontal
- 6 - Compressor Axial

# MCQUAY/WESTINGHOUSE CH063

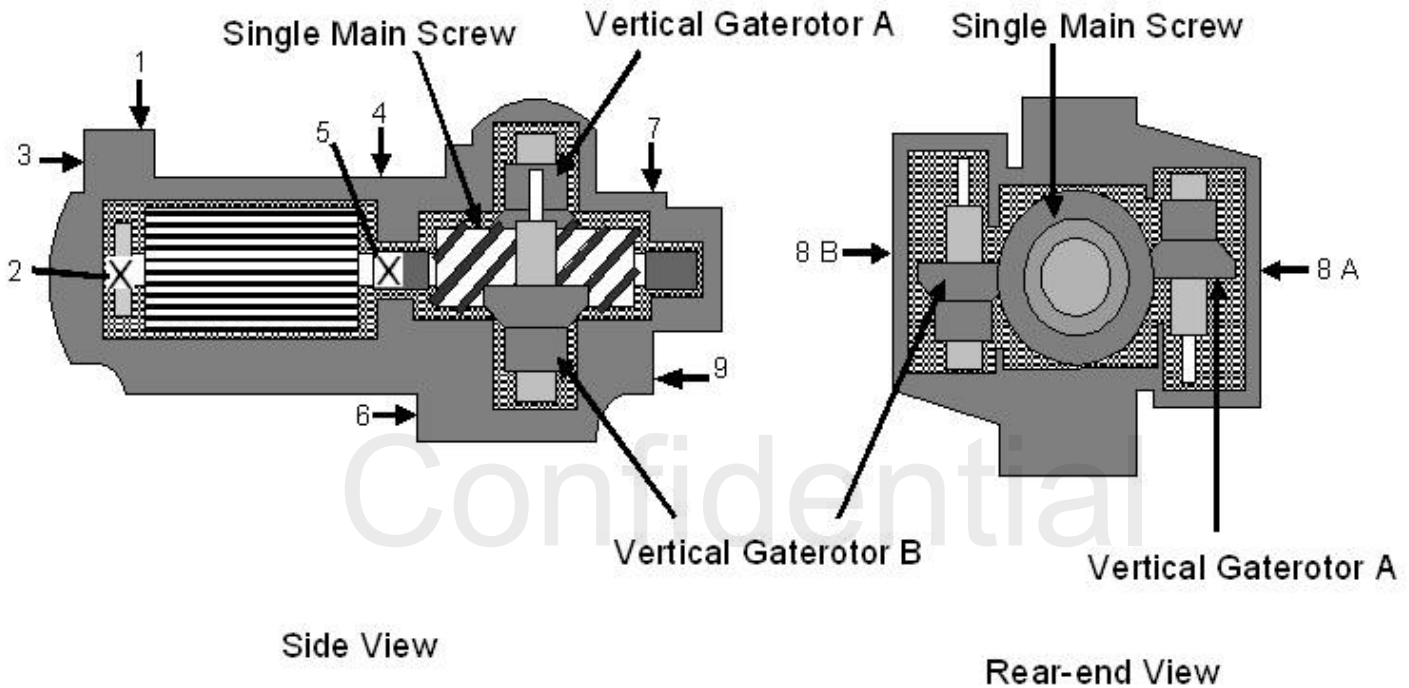


\*SENSOR MOUNTING TABS REQUIRED

## MEASUREMENT POINTS

- |                      |                           |
|----------------------|---------------------------|
| 1 - Motor Vertical   | 4 - Compressor Vertical   |
| 2 - Motor Horizontal | 5 - Compressor Horizontal |
| 3 - Motor Axial      | 6 - Compressor Axial      |

# McQuay HSA

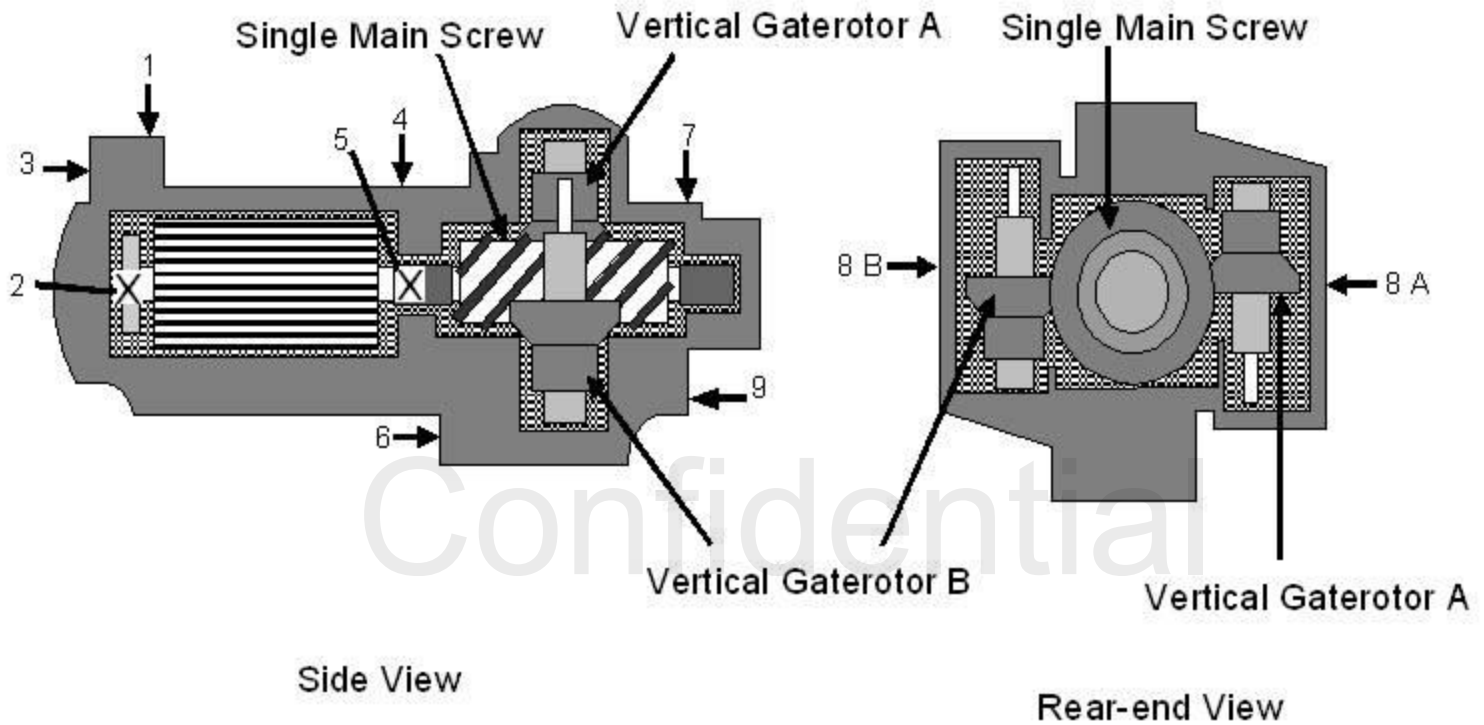


## MEASUREMENT POINTS

- 1 - Motor Vertical
- 2 - Motor Horizontal
- 3 - Motor Axial
- 4 - Mocom Vertical
- 5 - Mocom Horizontal

- 6 - Mocom Axial
- 7 - Compressor Vertical
- 8 A - Compressor Horizontal A
- 8 B - Compressor Horizontal B
- 9 - Compressor Axial

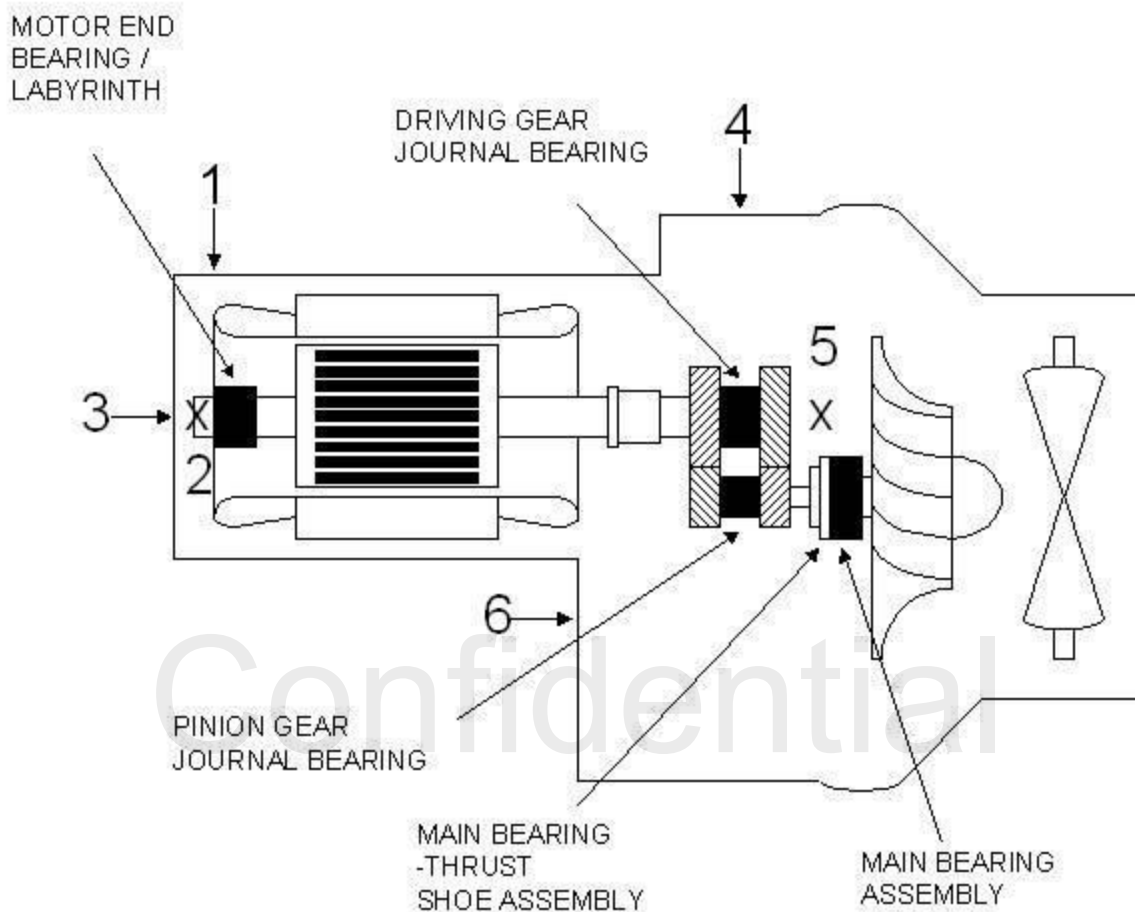
# McQuay HSW



## MEASUREMENT POINTS

- |                      |                               |
|----------------------|-------------------------------|
| 1 - Motor Vertical   | 6 - Mocom Axial               |
| 2 - Motor Horizontal | 7 - Compressor Vertical       |
| 3 - Motor Axial      | 8 A - Compressor Horizontal A |
| 4 - Mocom Vertical   | 8 B - Compressor Horizontal B |
| 5 - Mocom Horizontal | 9 - Compressor Axial          |

# McQuay LOS



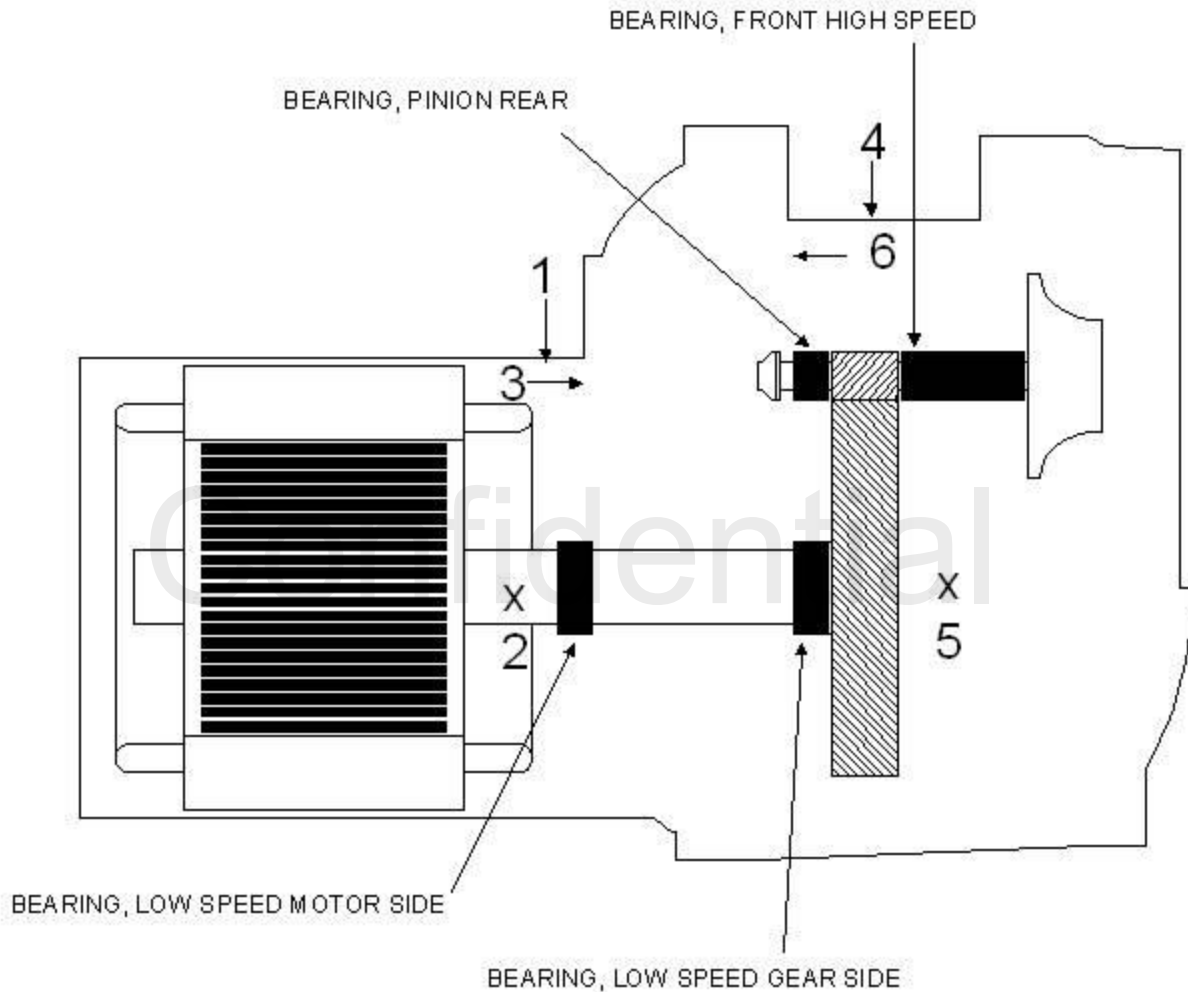
**\*SENSOR MOUNTING TABS REQUIRED**

## MEASUREMENT POINTS

1 - Motor Vertical  
2 - Motor Horizontal  
3 - Motor Axial

4 - Compressor Vertical  
5 - Compressor Horizontal  
6 - Compressor Axial

# MCQUAY/WESTINGHOUSE PE-046



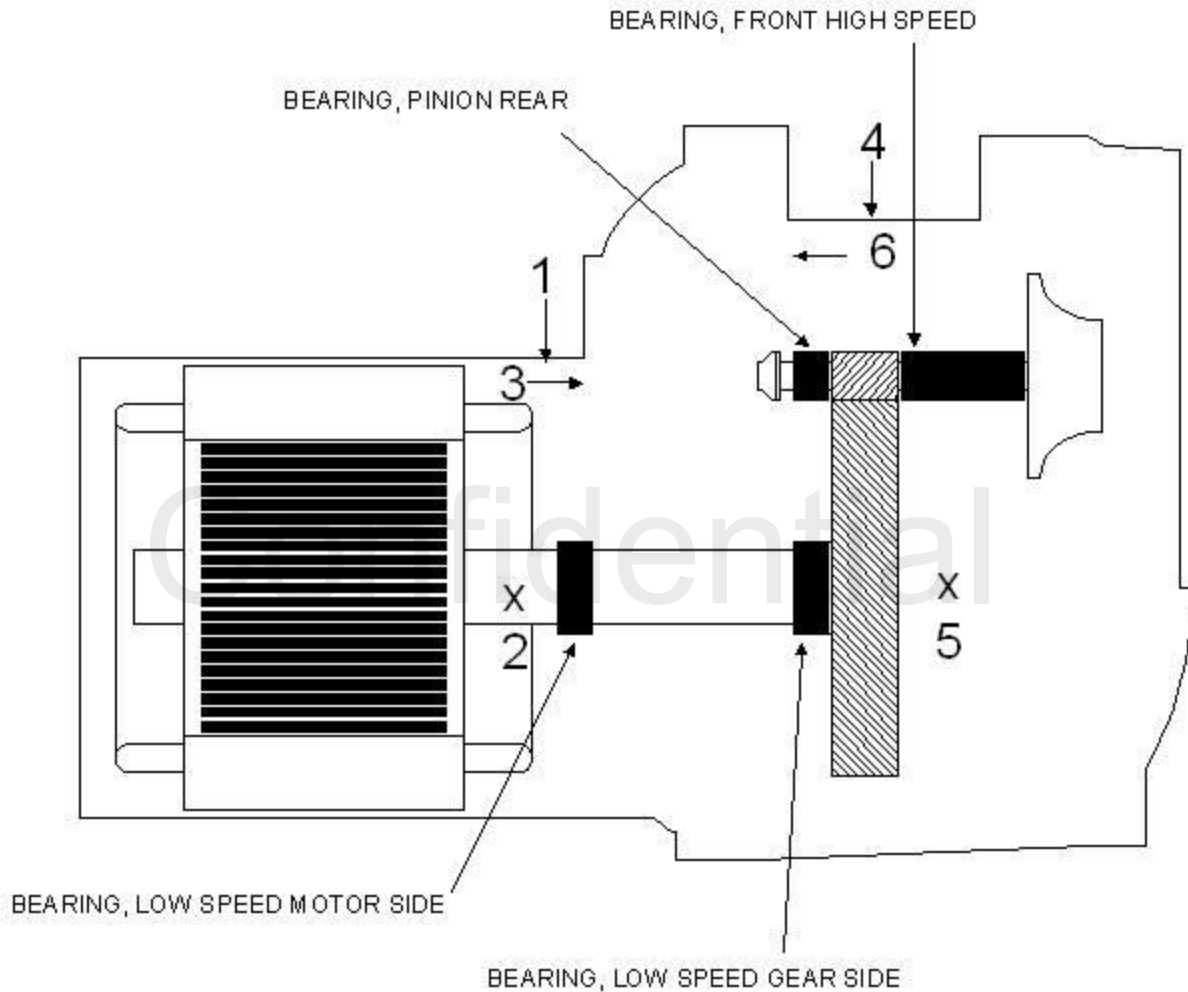
**\*SENSOR MOUNTING TABS REQUIRED**

## MEASUREMENT POINTS

- 1 - Motor Vertical
- 2 - Motor Horizontal
- 3 - Motor Axial

- 4 - Compressor Vertical
- 5 - Compressor Horizontal
- 6 - Compressor Axial

# MCQUAY/WESTINGHOUSE PE-047



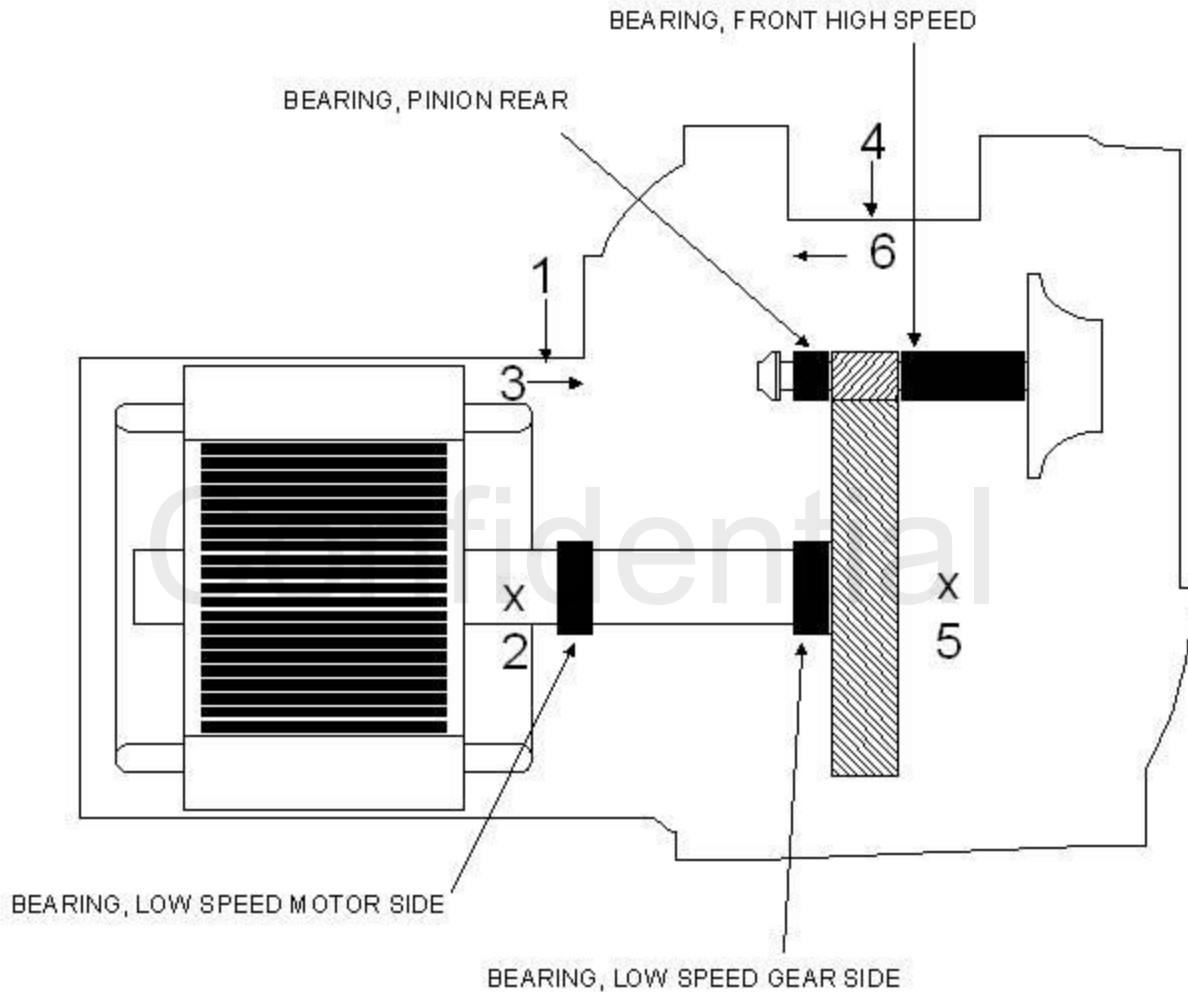
**\*SENSOR MOUNTING TABS REQUIRED**

## MEASUREMENT POINTS

- 1 - Motor Vertical
- 2 - Motor Horizontal
- 3 - Motor Axial

- 4 - Compressor Vertical
- 5 - Compressor Horizontal
- 6 - Compressor Axial

# MCQUAY/WESTINGHOUSE PE-048



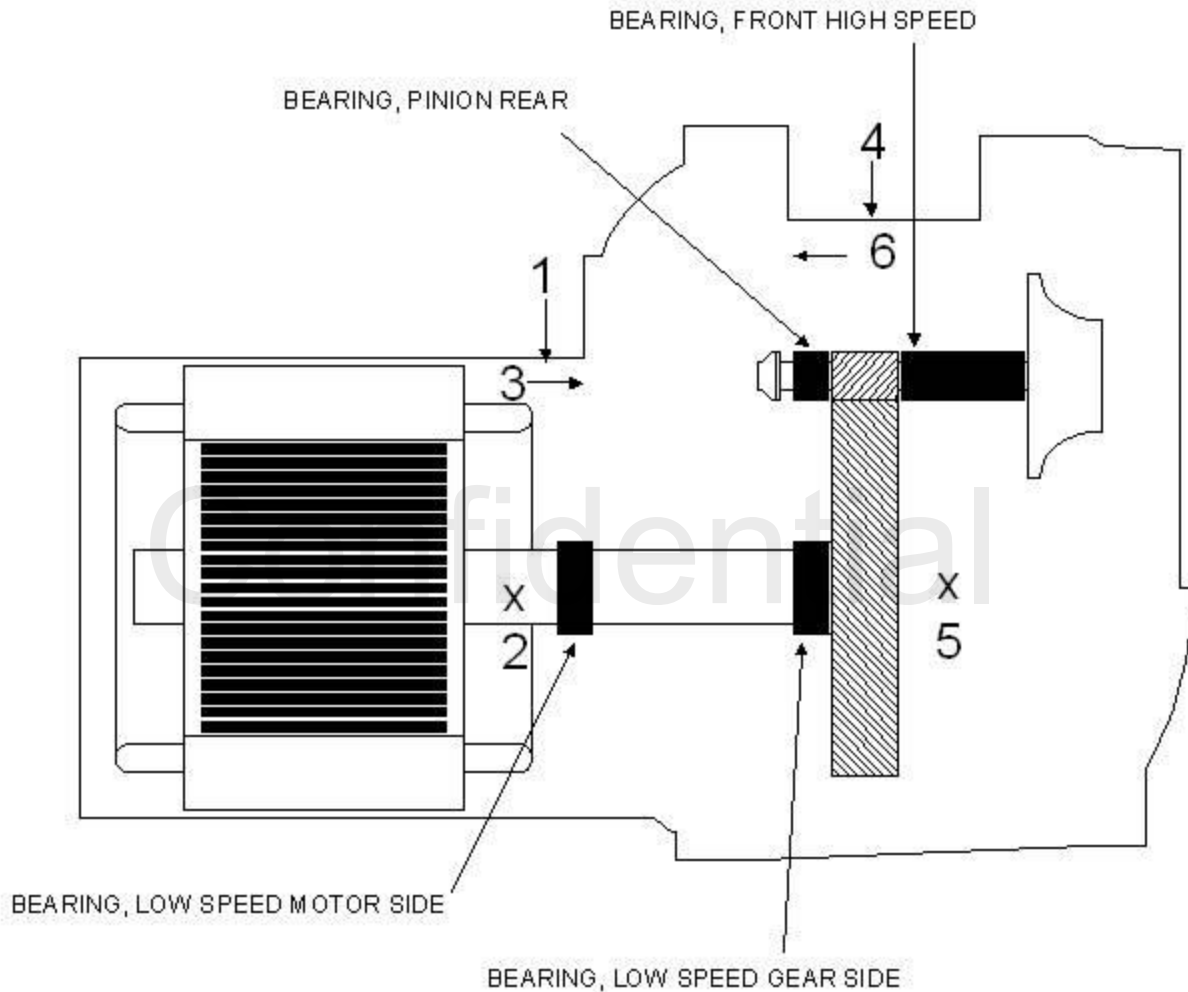
**\*SENSOR MOUNTING TABS REQUIRED**

## MEASUREMENT POINTS

- 1 - Motor Vertical
- 2 - Motor Horizontal
- 3 - Motor Axial

- 4 - Compressor Vertical
- 5 - Compressor Horizontal
- 6 - Compressor Axial

# MCQUAY/WESTINGHOUSE PE-050



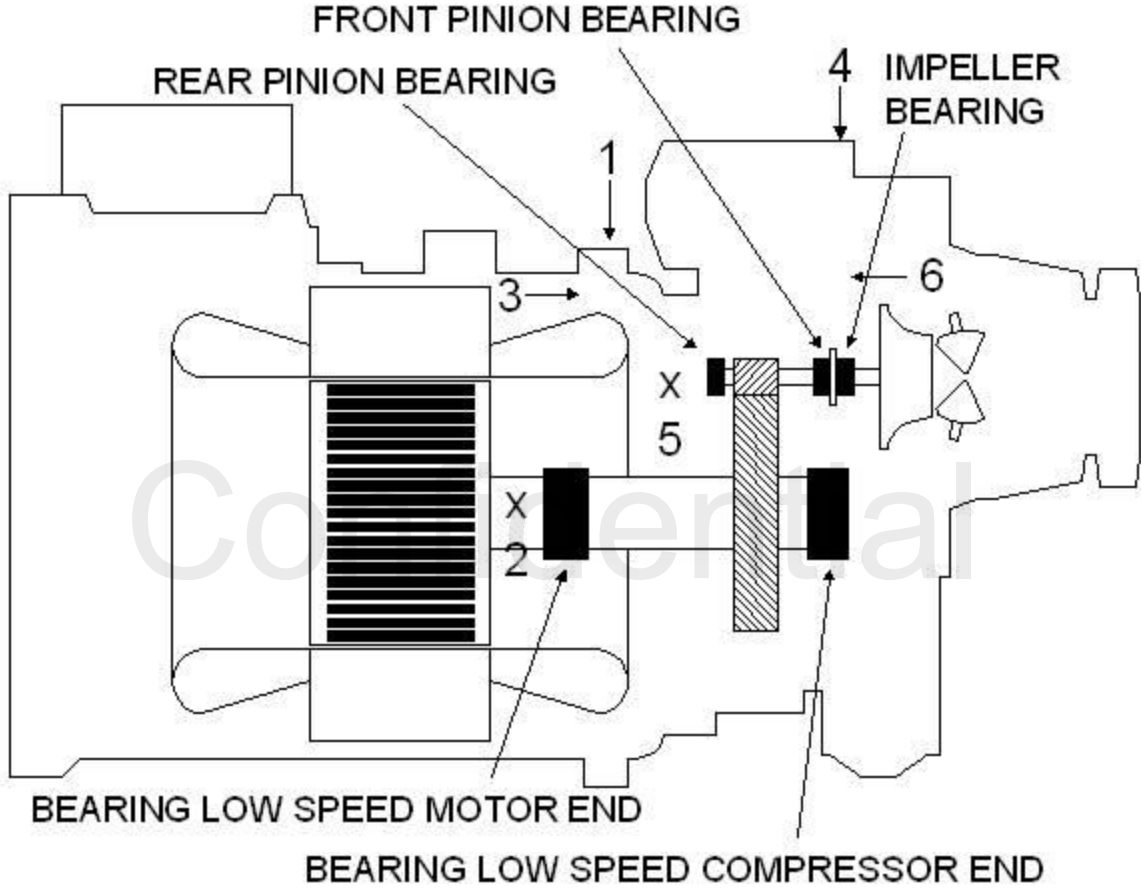
**\*SENSOR MOUNTING TABS REQUIRED**

## MEASUREMENT POINTS

- 1 - Motor Vertical
- 2 - Motor Horizontal
- 3 - Motor Axial

- 4 - Compressor Vertical
- 5 - Compressor Horizontal
- 6 - Compressor Axial

# MCQUAY/WESTINGHOUSE PE-063



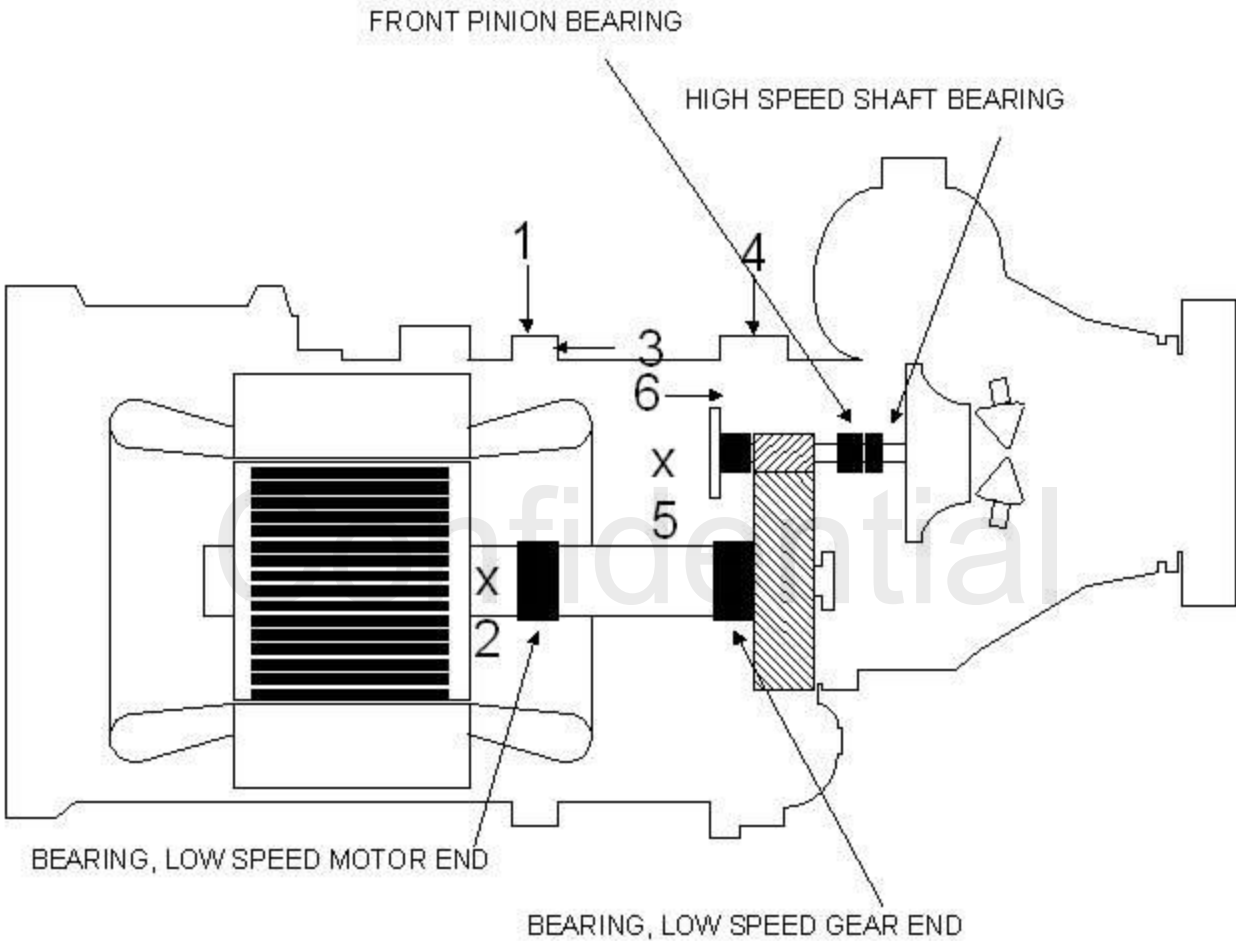
**\*SENSOR MOUNTING TABS REQUIRED**

## MEASUREMENT POINTS

- 1 - Motor Vertical
- 2 - Motor Horizontal
- 3 - Motor Axial

- 4 - Compressor Vertical
- 5 - Compressor Horizontal
- 6 - Compressor Axial

# MCQUAY/WESTINGHOUSE PE-079

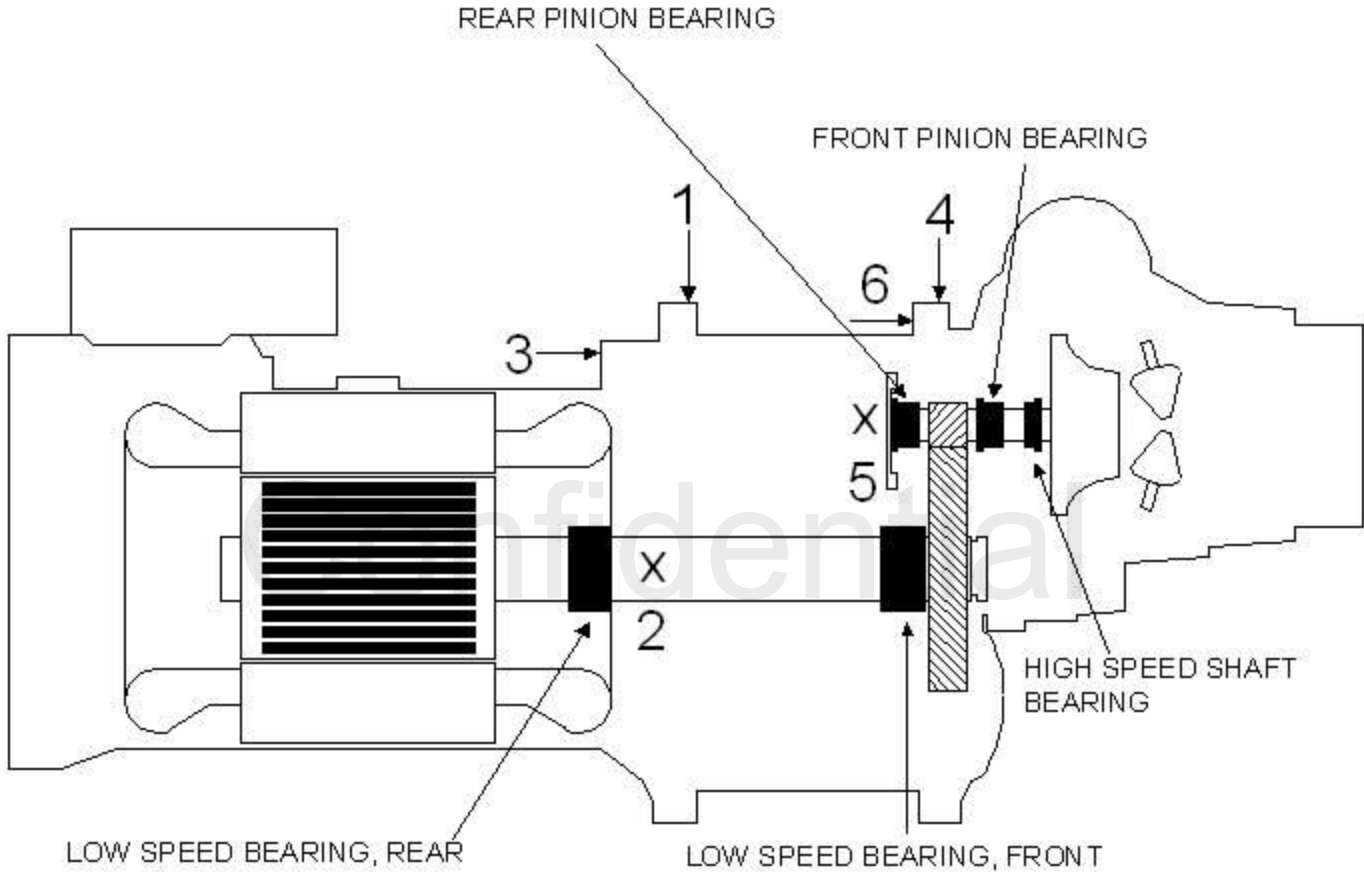


**\*SENSOR MOUNTING TABS REQUIRED**

## MEASUREMENT POINTS

- 1 - Motor Vertical
- 2 - Motor Horizontal
- 3 - Motor Axial
- 4 - Compressor Vertical
- 5 - Compressor Horizontal
- 6 - Compressor Axial

# MCQUAY/WESTINGHOUSE PE-100

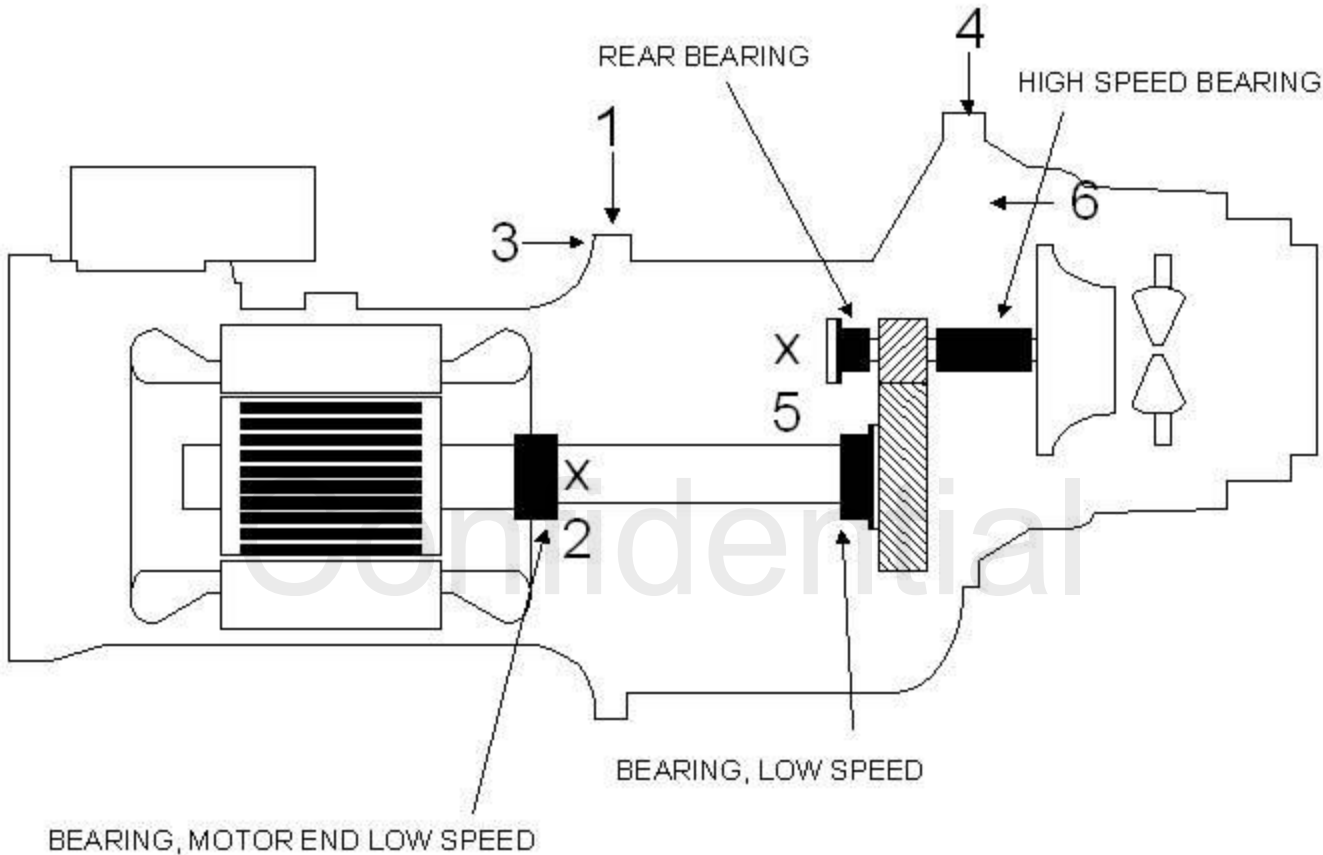


**\*SENSOR MOUNTING TABS REQUIRED**

## MEASUREMENT POINTS

- |                      |                           |
|----------------------|---------------------------|
| 1 - Motor Vertical   | 4 - Compressor Vertical   |
| 2 - Motor Horizontal | 5 - Compressor Horizontal |
| 3 - Motor Axial      | 6 - Compressor Axial      |

# MCQUAY/WESTINGHOUSE PE-126

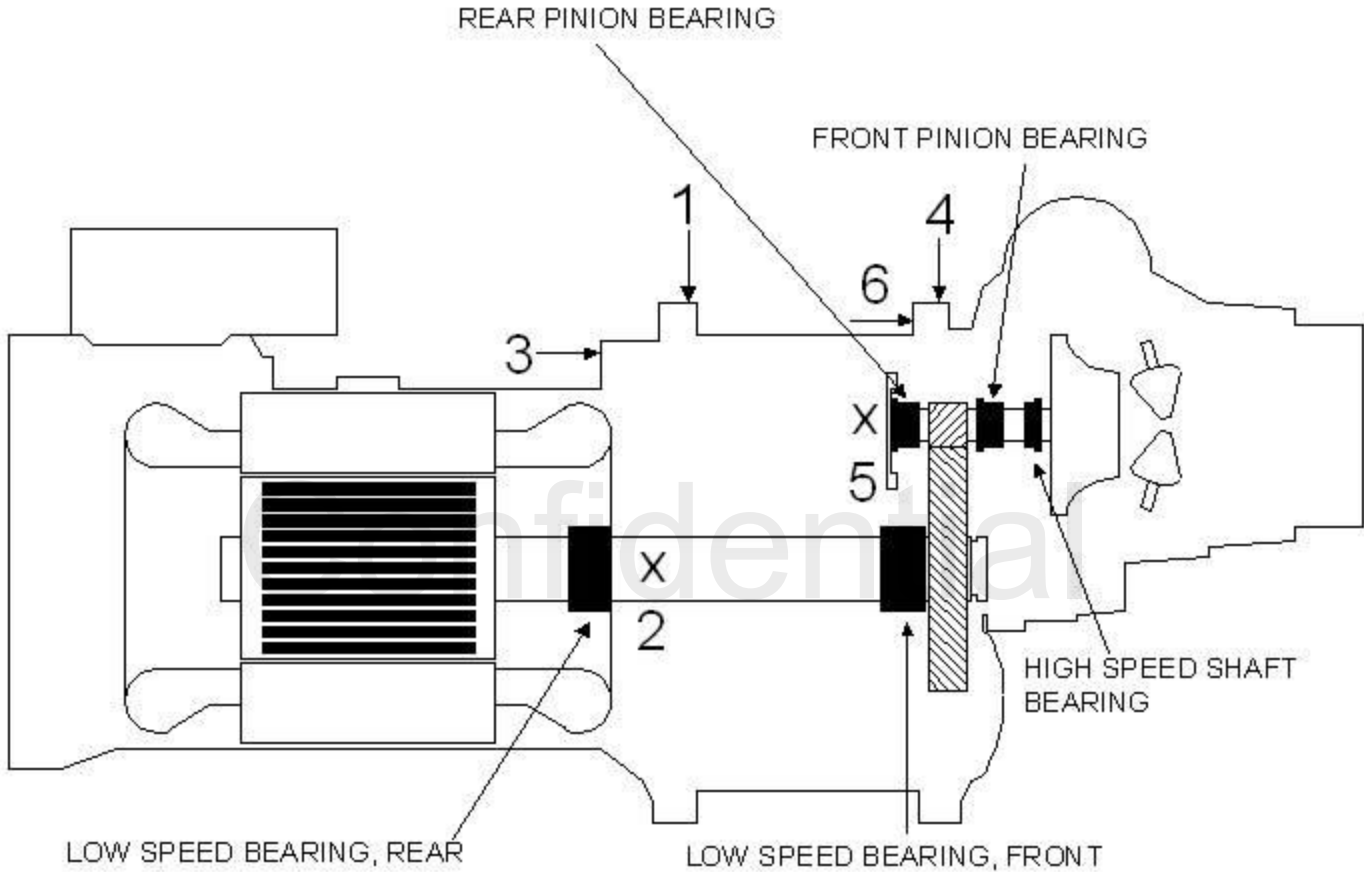


**\*SENSOR MOUNTING TABS REQUIRED**

## MEASUREMENT POINTS

- 1 - Motor Vertical
- 2 - Motor Horizontal
- 3 - Motor Axial
- 4 - Compressor Vertical
- 5 - Compressor Horizontal
- 6 - Compressor Axial

# MCQUAY/WESTINGHOUSE PE-225

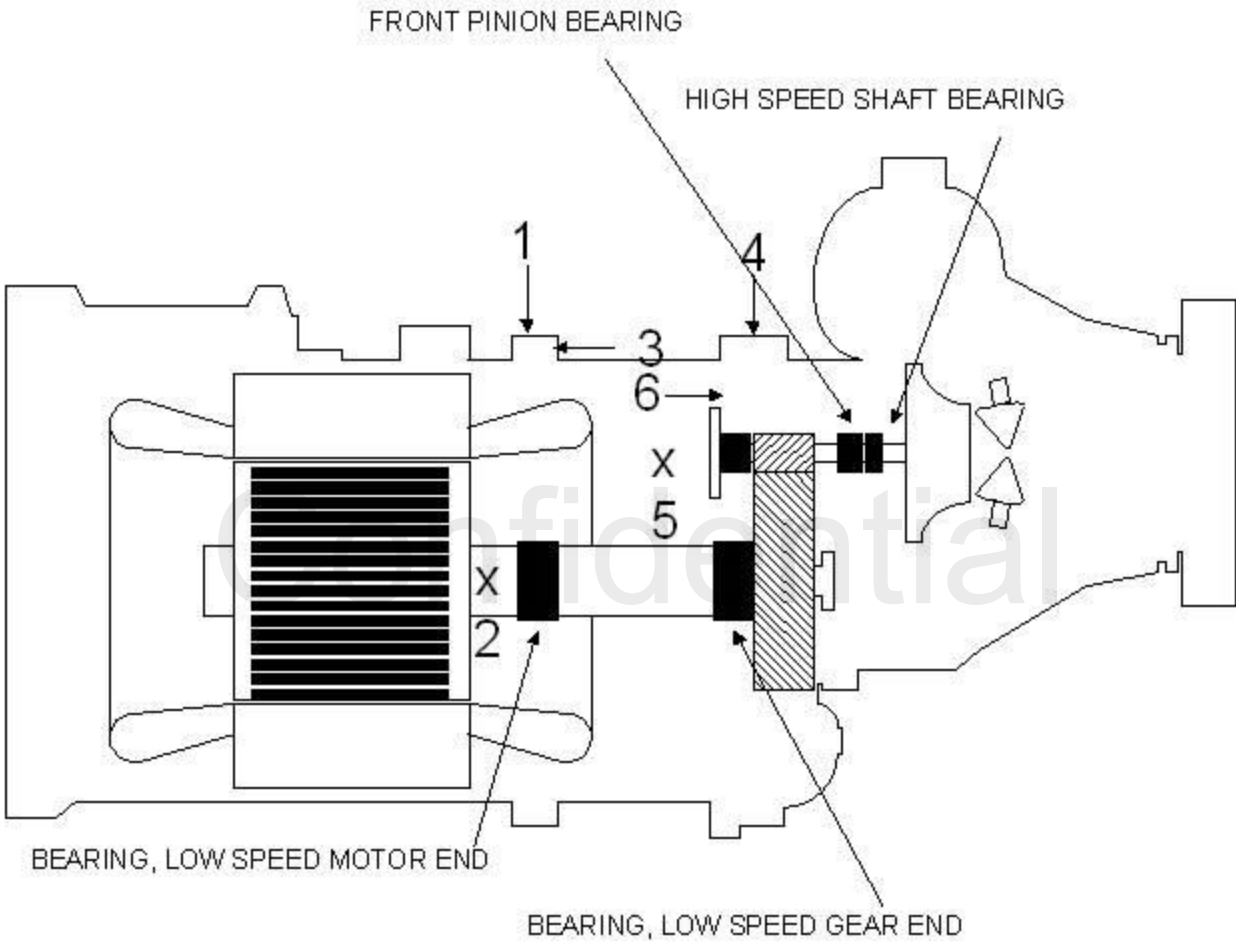


**\*SENSOR MOUNTING TABS REQUIRED**

## MEASUREMENT POINTS

- 1 - Motor Vertical
- 2 - Motor Horizontal
- 3 - Motor Axial
- 4 - Compressor Vertical
- 5 - Compressor Horizontal
- 6 - Compressor Axial

# MCQUAY/WESTINGHOUSE PEH-063

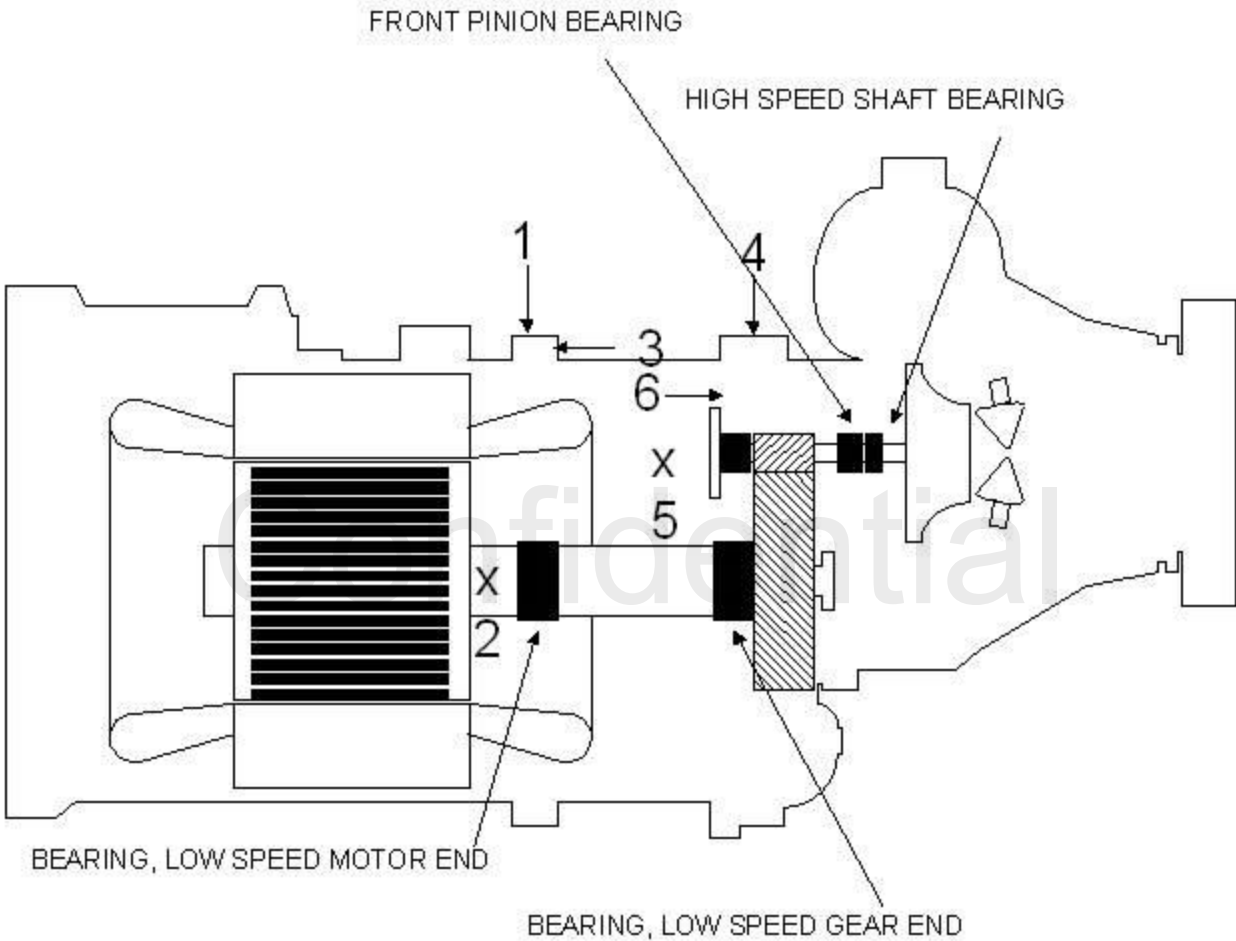


**\*SENSOR MOUNTING TABS REQUIRED**

## MEASUREMENT POINTS

- |                      |                           |
|----------------------|---------------------------|
| 1 - Motor Vertical   | 4 - Compressor Vertical   |
| 2 - Motor Horizontal | 5 - Compressor Horizontal |
| 3 - Motor Axial      | 6 - Compressor Axial      |

# MCQUAY/WESTINGHOUSE PEH-076

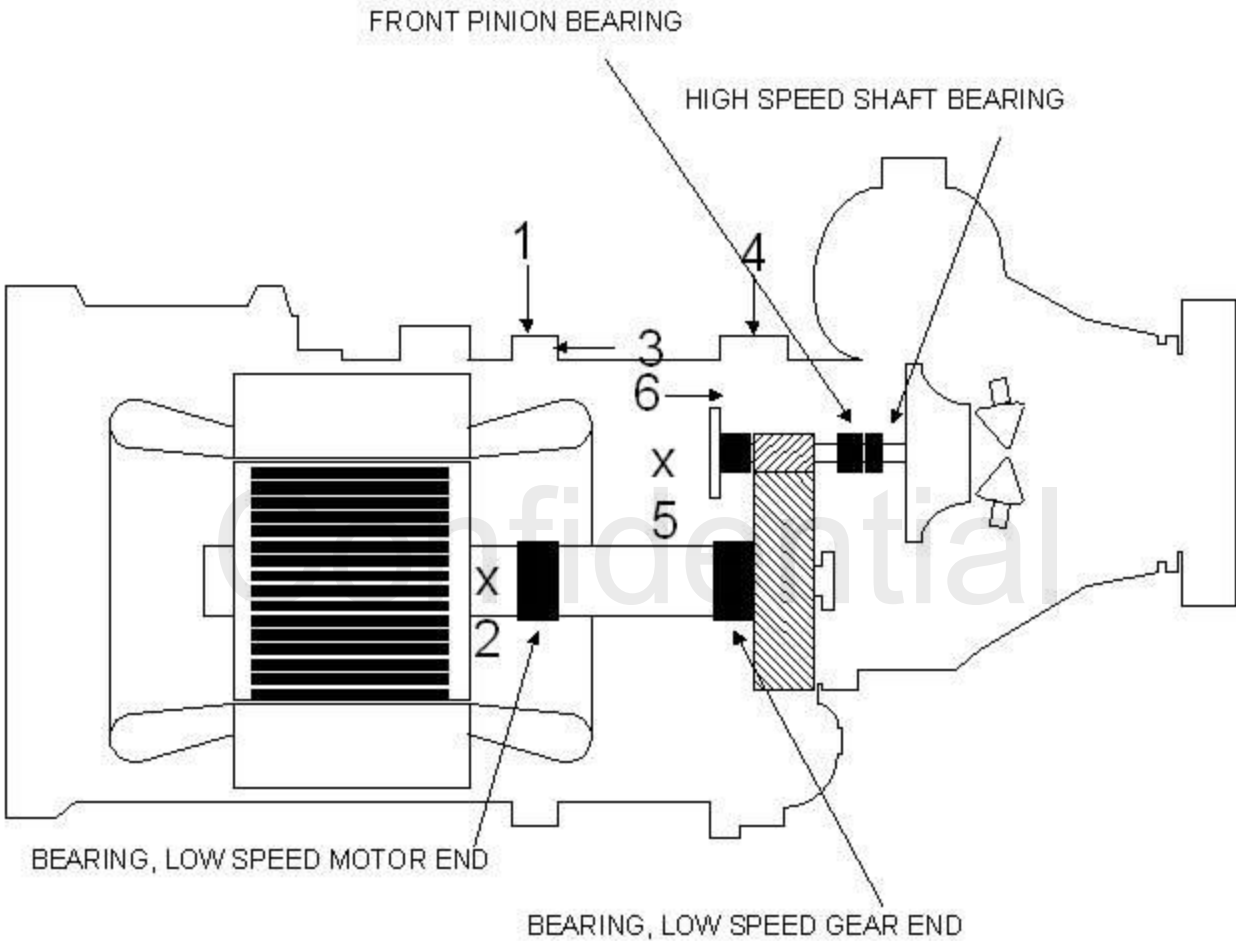


**\*SENSOR MOUNTING TABS REQUIRED**

## MEASUREMENT POINTS

- |                      |                           |
|----------------------|---------------------------|
| 1 - Motor Vertical   | 4 - Compressor Vertical   |
| 2 - Motor Horizontal | 5 - Compressor Horizontal |
| 3 - Motor Axial      | 6 - Compressor Axial      |

# MCQUAY/WESTINGHOUSE PEH-087

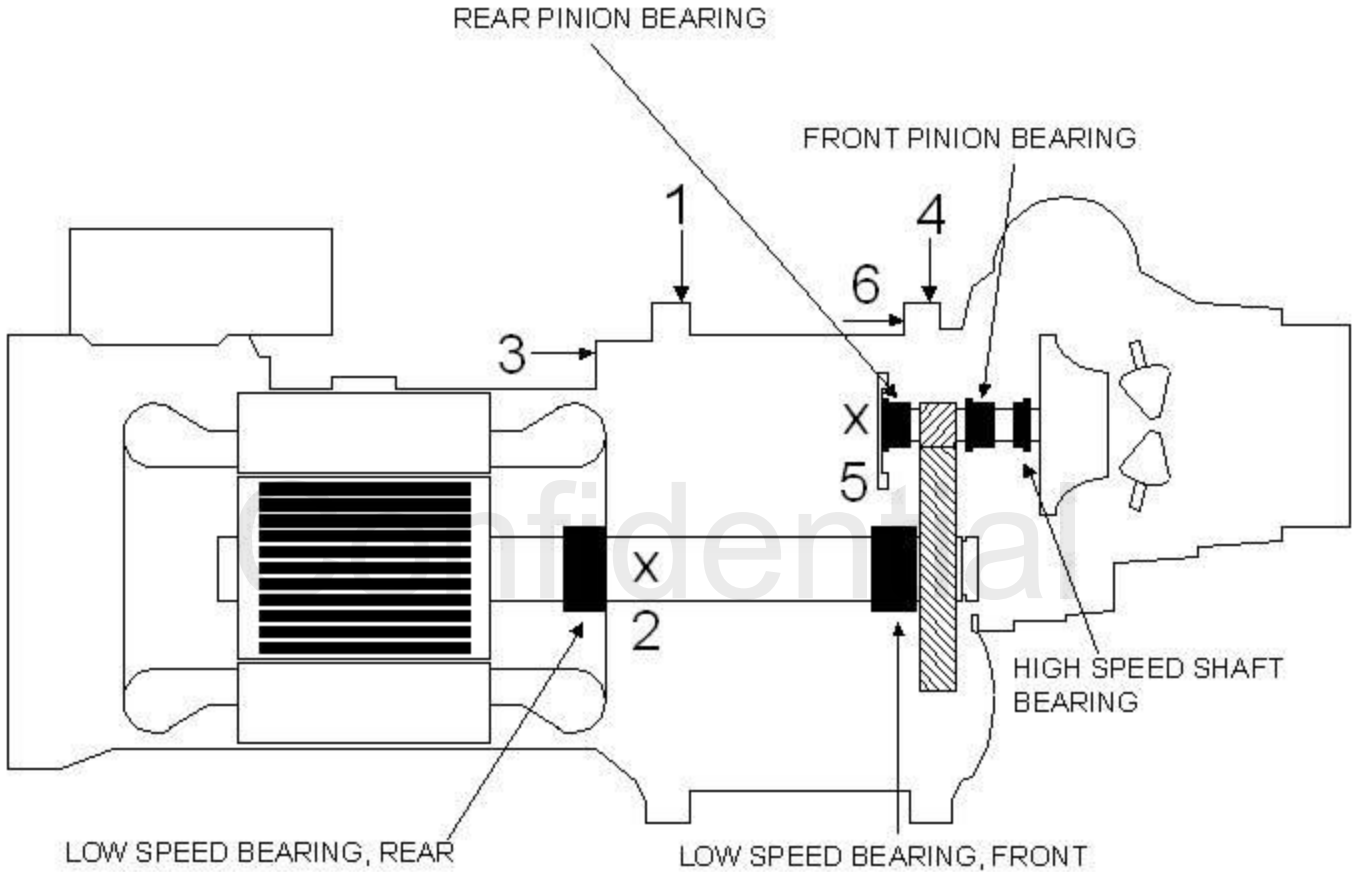


**\*SENSOR MOUNTING TABS REQUIRED**

## MEASUREMENT POINTS

- |                      |                           |
|----------------------|---------------------------|
| 1 - Motor Vertical   | 4 - Compressor Vertical   |
| 2 - Motor Horizontal | 5 - Compressor Horizontal |
| 3 - Motor Axial      | 6 - Compressor Axial      |

# MCQUAY/WESTINGHOUSE PEH-100



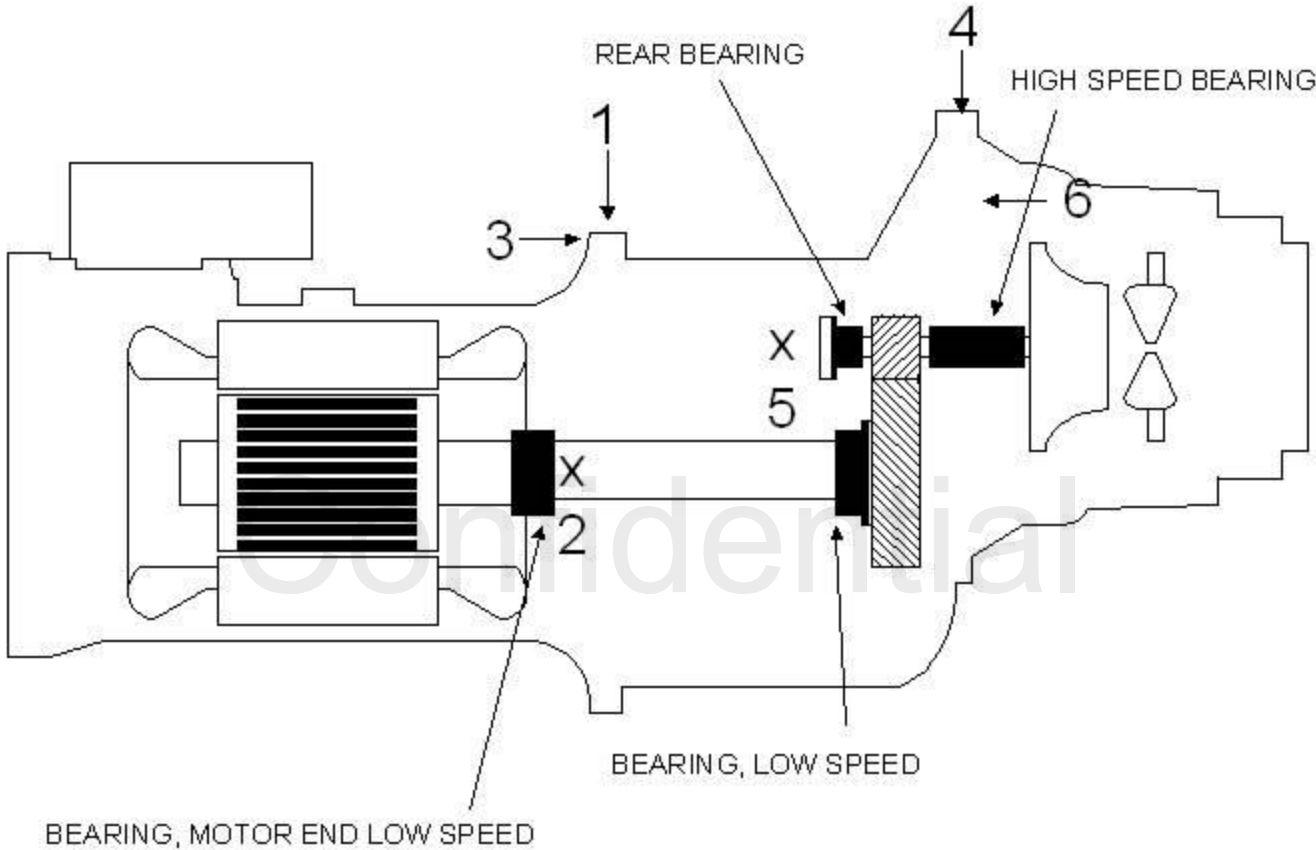
**\*SENSOR MOUNTING TABS REQUIRED**

## MEASUREMENT POINTS

- 1 - Motor Vertical
- 2 - Motor Horizontal
- 3 - Motor Axial

- 4 - Compressor Vertical
- 5 - Compressor Horizontal
- 6 - Compressor Axial

# MCQUAY/WESTINGHOUSE PEH-126

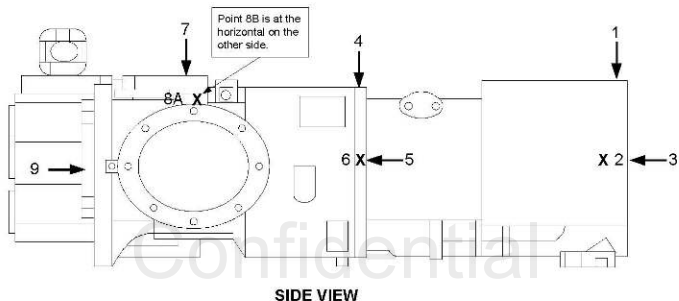


**\*SENSOR MOUNTING TABS REQUIRED**

## MEASUREMENT POINTS

- 1 - Motor Vertical
- 2 - Motor Horizontal
- 3 - Motor Axial
- 4 - Compressor Vertical
- 5 - Compressor Horizontal
- 6 - Compressor Axial

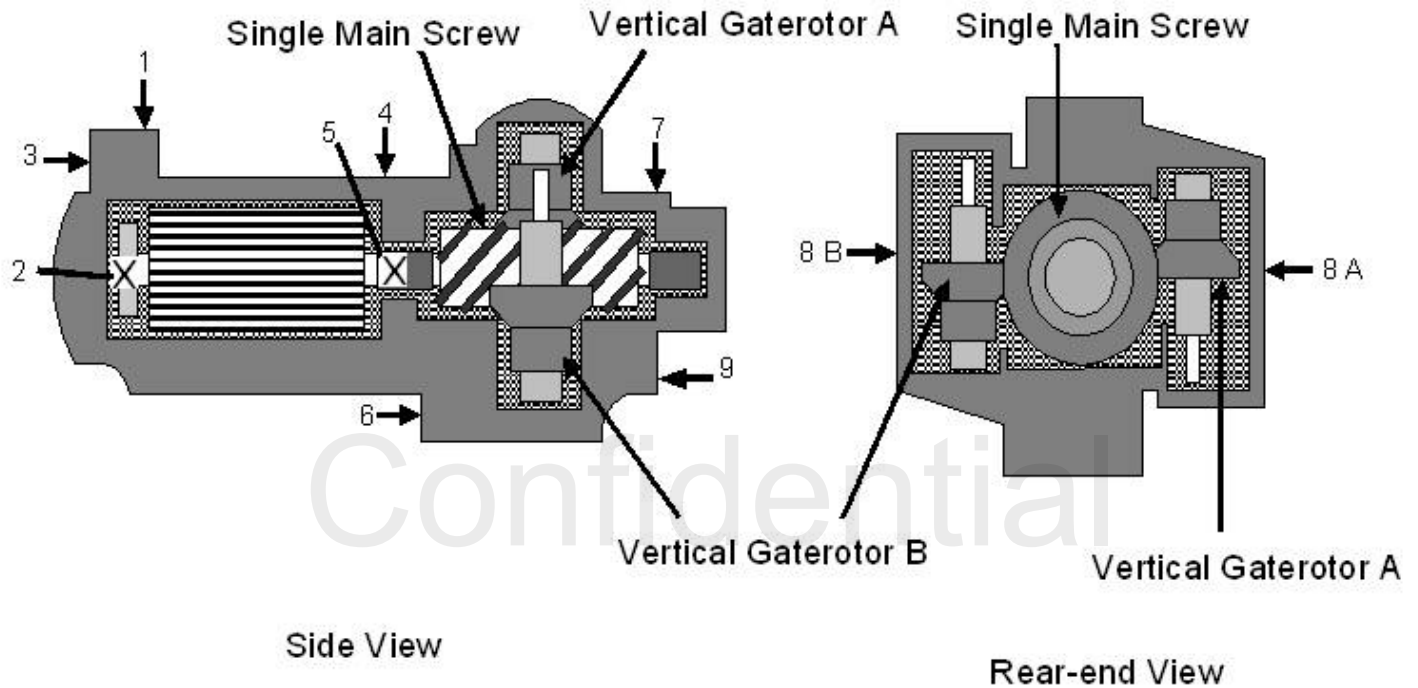
# MCQUAY PFS



## MEASUREMENT POINTS

- |                      |                               |
|----------------------|-------------------------------|
| 1 - Motor Vertical   | 6 - Mocom Axial               |
| 2 - Motor Horizontal | 7 - Compressor Vertical       |
| 3 - Motor Axial      | 8 A - Compressor Horizontal A |
| 4 - Mocom Vertical   | 8 B - Compressor Horizontal B |
| 5 - Mocom Horizontal | 9 - Compressor Axial          |

# McQuay SAL

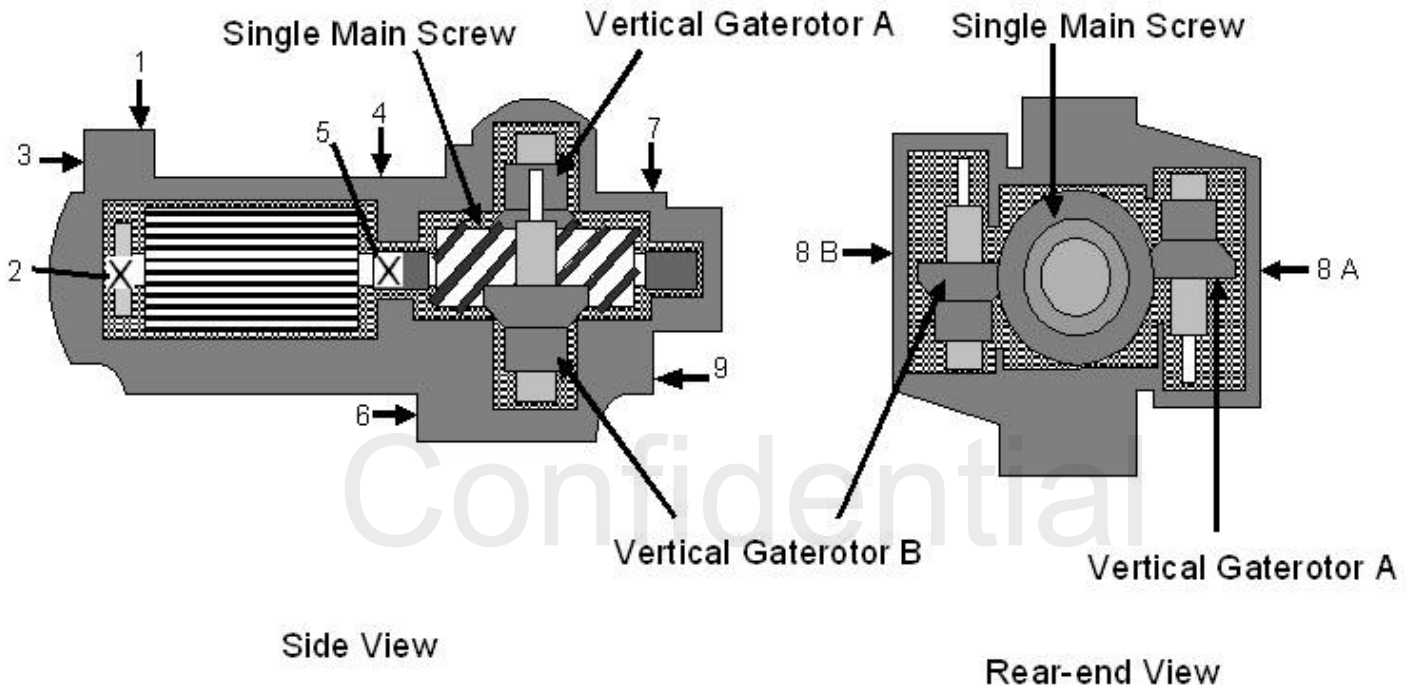


## MEASUREMENT POINTS

- 1 - Motor Vertical
- 2 - Motor Horizontal
- 3 - Motor Axial
- 4 - Mocom Vertical
- 5 - Mocom Horizontal

- 6 - Mocom Axial
- 7 - Compressor Vertical
- 8 A - Compressor Horizontal A
- 8 B - Compressor Horizontal B
- 9 - Compressor Axial

# McQuay SOL

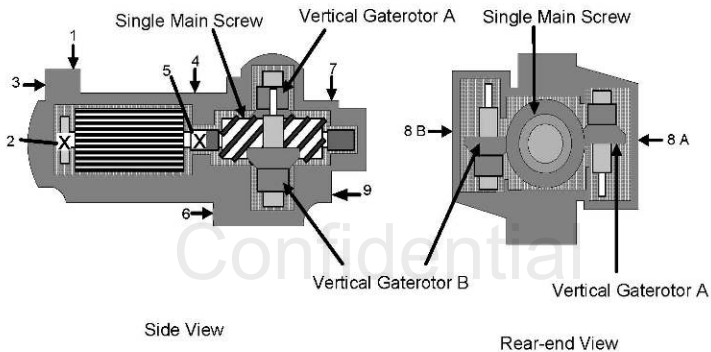


## MEASUREMENT POINTS

- 1 - Motor Vertical
- 2 - Motor Horizontal
- 3 - Motor Axial
- 4 - Mocom Vertical
- 5 - Mocom Horizontal

- 6 - Mocom Axial
- 7 - Compressor Vertical
- 8 A - Compressor Horizontal A
- 8 B - Compressor Horizontal B
- 9 - Compressor Axial

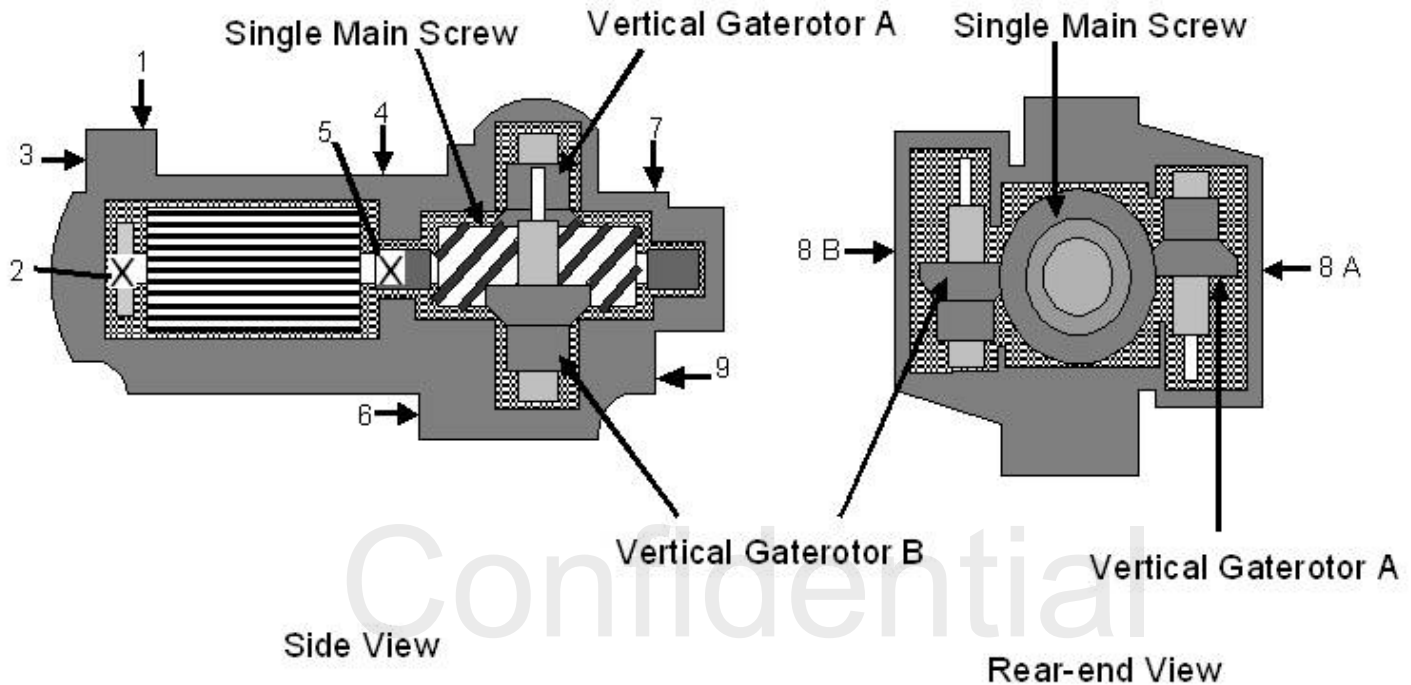
# McQuay SWI



## MEASUREMENT POINTS

- |                      |                               |
|----------------------|-------------------------------|
| 1 - Motor Vertical   | 6 - Mocom Axial               |
| 2 - Motor Horizontal | 7 - Compressor Vertical       |
| 3 - Motor Axial      | 8 A - Compressor Horizontal A |
| 4 - Mocom Vertical   | 8 B - Compressor Horizontal B |
| 5 - Mocom Horizontal | 9 - Compressor Axial          |

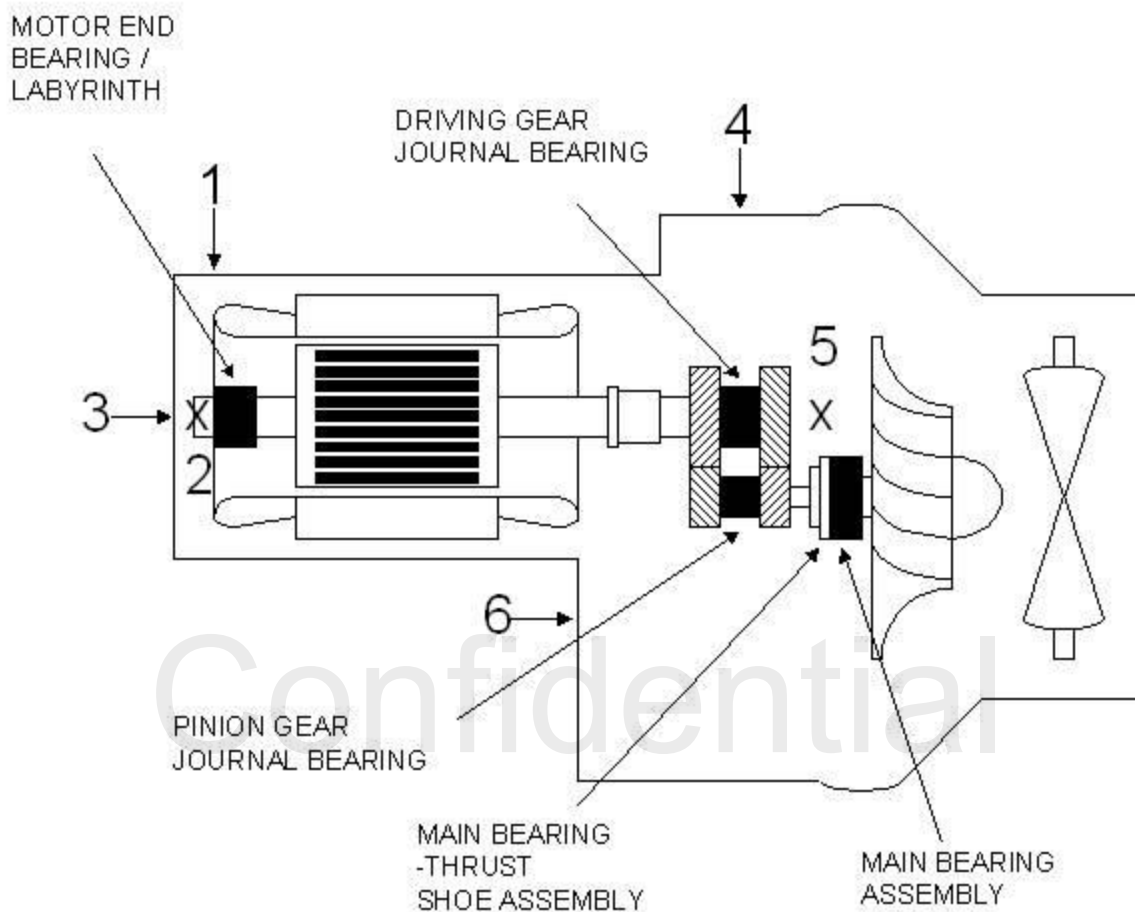
# McQuay SWL



## MEASUREMENT POINTS

- |                      |                               |
|----------------------|-------------------------------|
| 1 - Motor Vertical   | 6 - Mocom Axial               |
| 2 - Motor Horizontal | 7 - Compressor Vertical       |
| 3 - Motor Axial      | 8 A - Compressor Horizontal A |
| 4 - Mocom Vertical   | 8 B - Compressor Horizontal B |
| 5 - Mocom Horizontal | 9 - Compressor Axial          |

# McQuay WFC087



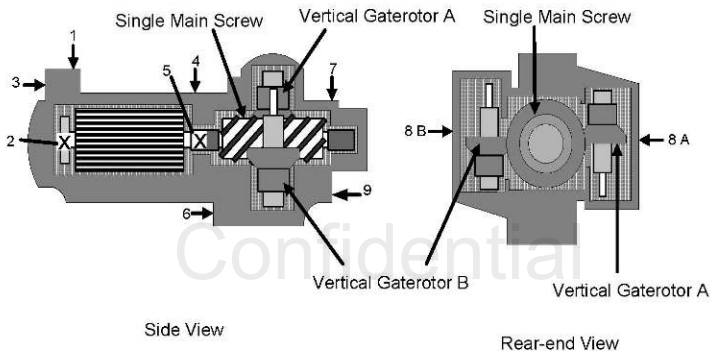
**\*SENSOR MOUNTING TABS REQUIRED**

## MEASUREMENT POINTS

1 - Motor Vertical  
2 - Motor Horizontal  
3 - Motor Axial

4 - Compressor Vertical  
5 - Compressor Horizontal  
6 - Compressor Axial

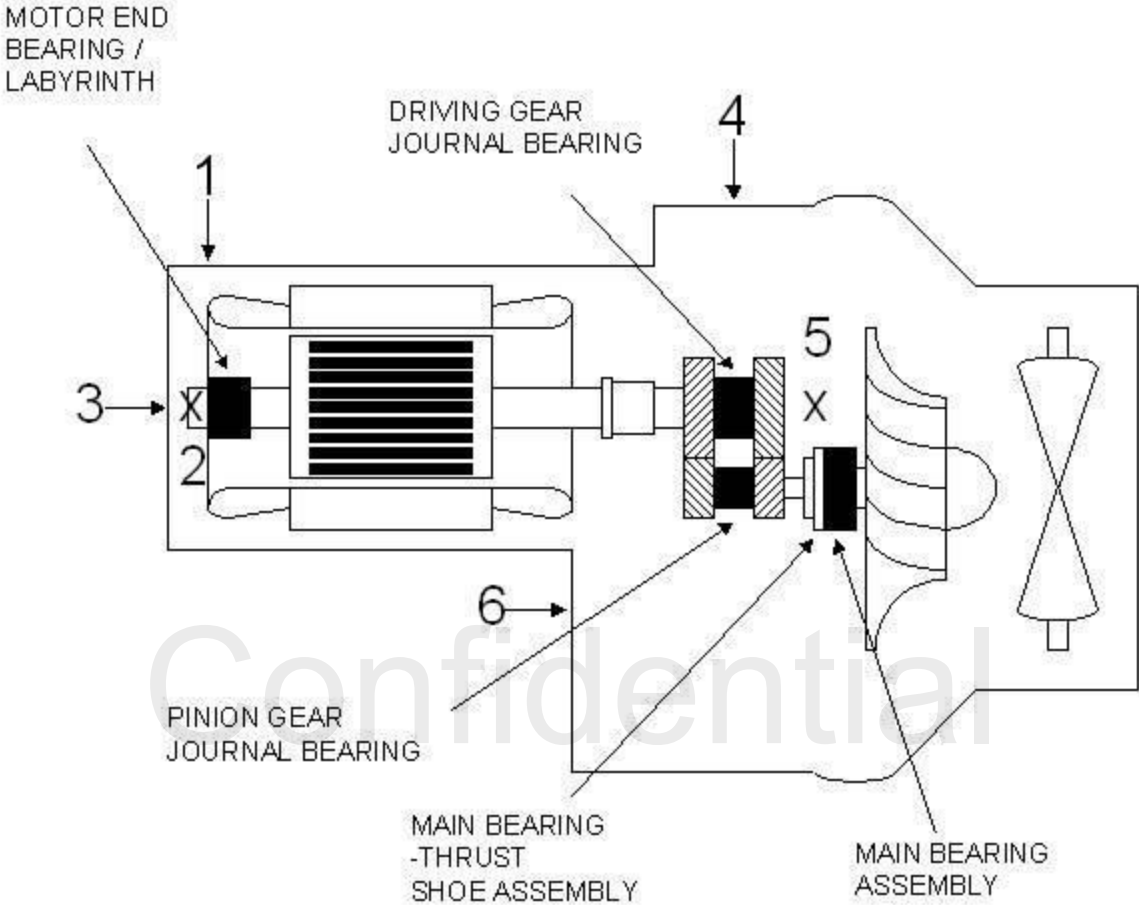
# McQuay WGS



## MEASUREMENT POINTS

- |                      |                               |
|----------------------|-------------------------------|
| 1 - Motor Vertical   | 6 - Mocom Axial               |
| 2 - Motor Horizontal | 7 - Compressor Vertical       |
| 3 - Motor Axial      | 8 A - Compressor Horizontal A |
| 4 - Mocom Vertical   | 8 B - Compressor Horizontal B |
| 5 - Mocom Horizontal | 9 - Compressor Axial          |

# McQuay WSC

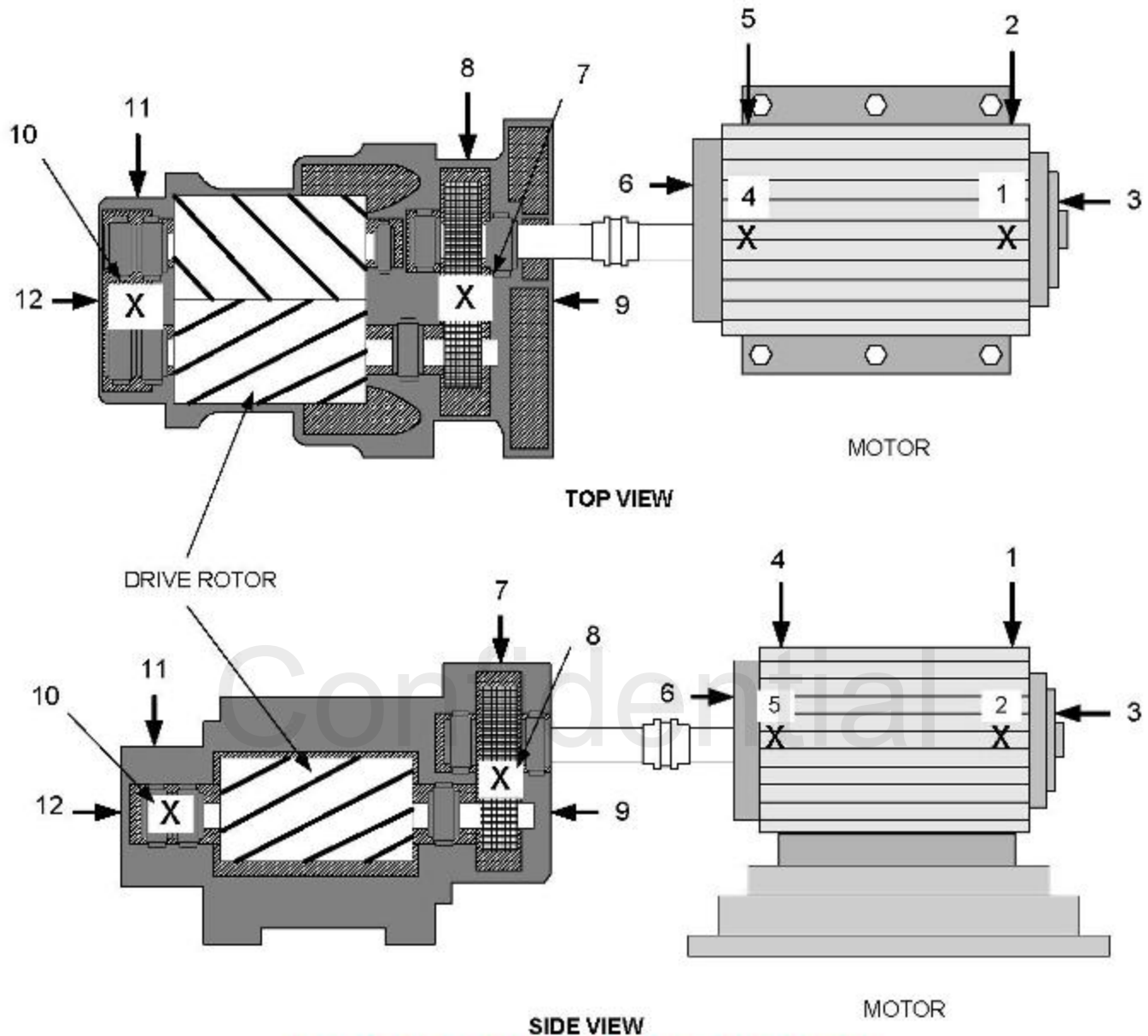


**\*SENSOR MOUNTING TABS REQUIRED**

## MEASUREMENT POINTS

- 1 - Motor Vertical
- 2 - Motor Horizontal
- 3 - Motor Axial
- 4 - Compressor Vertical
- 5 - Compressor Horizontal
- 6 - Compressor Axial

# mitsui 255

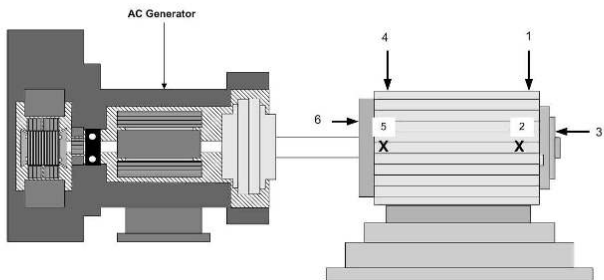


**\*SENSOR MOUNTING TABS REQUIRED**  
**MEASUREMENT POINTS**

- 1. Motor Off End Vertical
- 2. Motor Off End Horizontal
- 3. Motor Off End Axial
- 4. Motor Drive Vertical
- 5. Motor Drive Horizontal
- 6. Motor Drive Axial

- 7. Compressor Inboard Vertical
- 8. Compressor Inboard Horizontal
- 9. Compressor Inboard Axial
- 10. Compressor Outboard Vertical
- 11. Compressor Outboard Horizontal
- 12. Compressor Outboard Axial

## Motor Generator Set

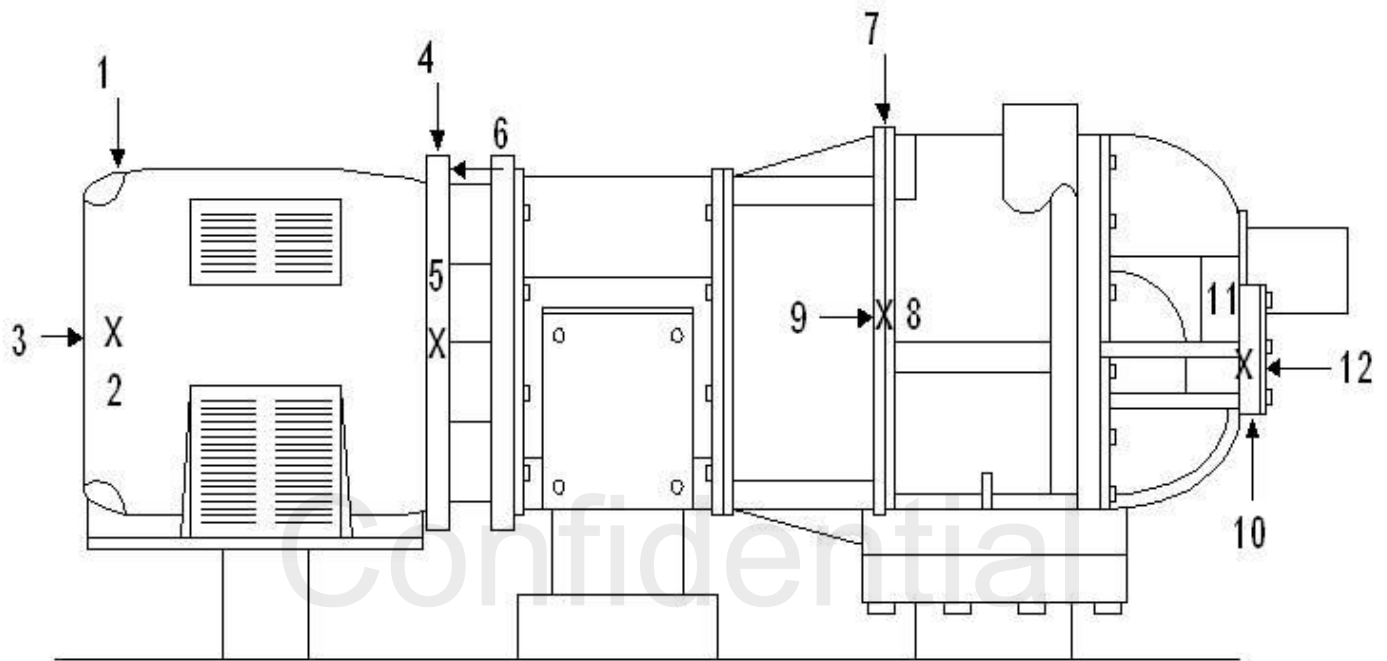


Side View

MOTOR

- |    |     |                            |
|----|-----|----------------------------|
| 1. | MOV | Motor off end vertical     |
| 2. | MOH | Motor off end horizontal   |
| 3. | MOA | Motor off end axial        |
| 4. | MDV | Motor drive end vertical   |
| 5. | MDH | Motor drive end horizontal |
| 6. | MDA | Motor drive end axial      |

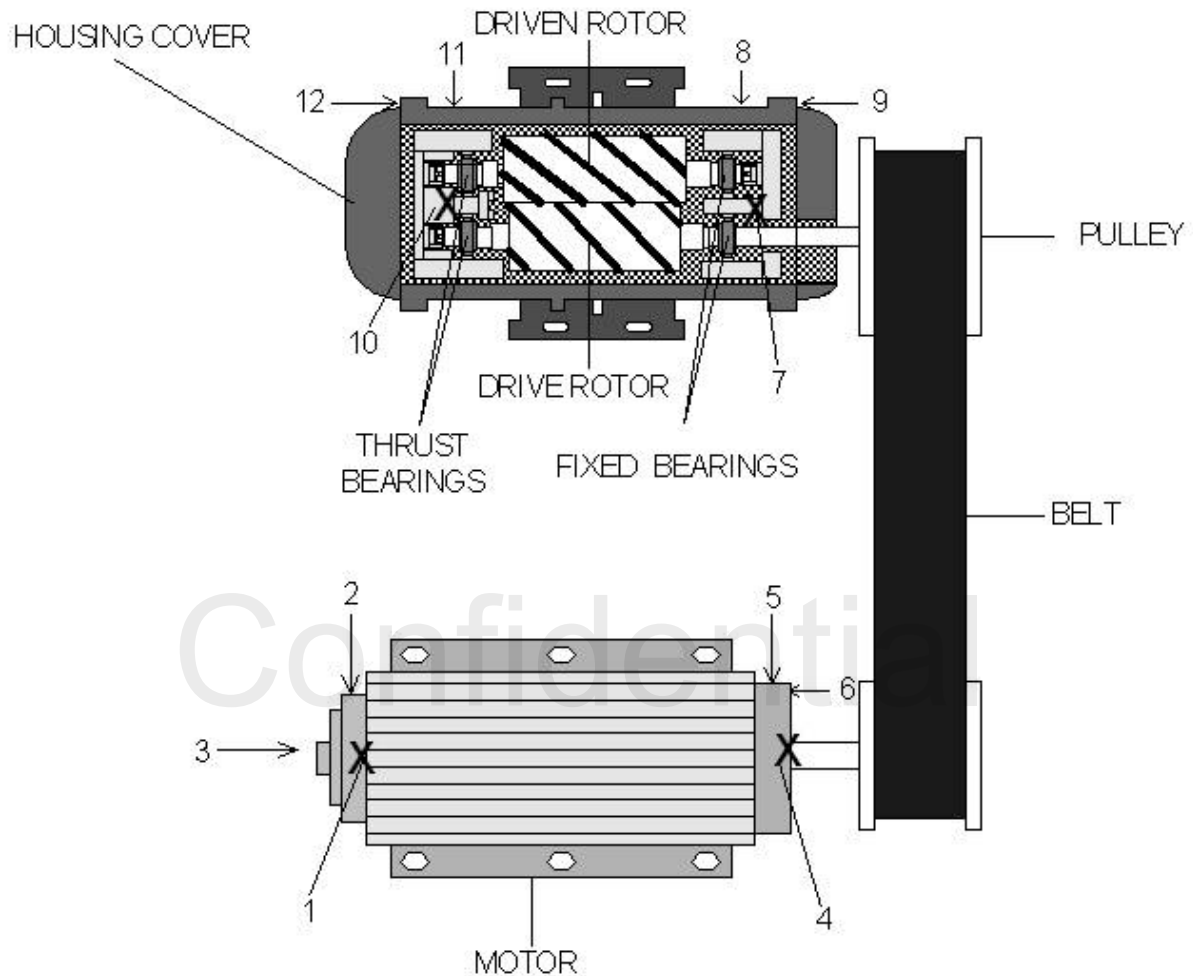
# MYCOM



## MEASUREMENT POINTS

- |                      |                       |
|----------------------|-----------------------|
| 1 - MOTOF Vertical   | 7 - COMIB Vertical    |
| 2 - MOTOF Horizontal | 8 - COMIB Horizontal  |
| 3 - MOTOF Axial      | 9 - COMIB Axial       |
| 4 - MOTDR Vertical   | 10 - COMOB Vertical   |
| 5 - MOTDR Horizontal | 11 - COMOB Horizontal |
| 6 - MOTDR Axial      | 12 - COMOB Axial      |

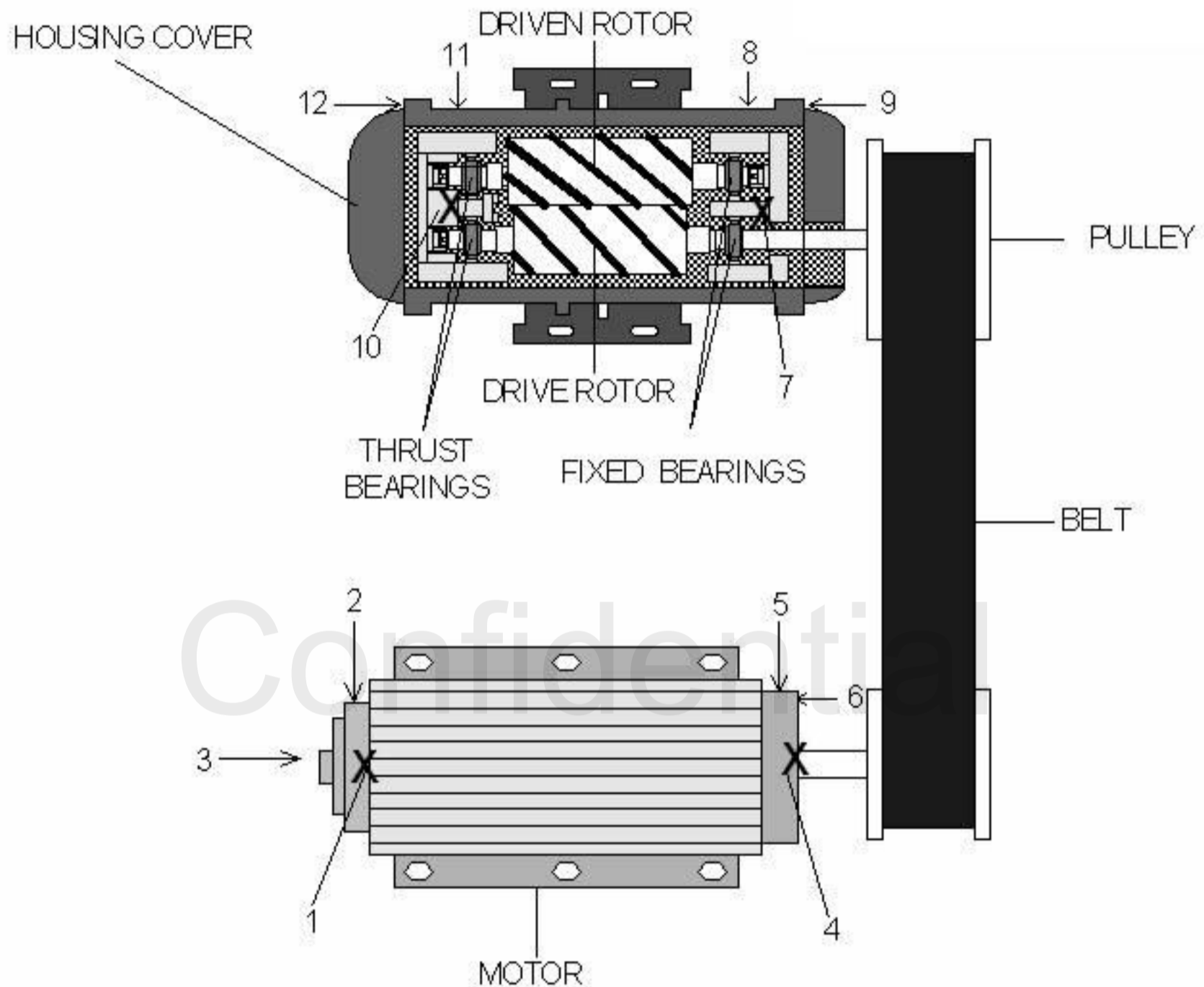
# Quincy CMB



## MEASUREMENT POINTS

- |                               |                                 |
|-------------------------------|---------------------------------|
| 1 - Motor Off-End Vertical    | 10 - Blower Outboard Vertical   |
| 2 - Motor Off-End Horizontal  | 11 - Blower Outboard Horizontal |
| 3 - Motor Off-End Axial       | 12 - Blower Outboard Axial      |
| 4 - Motor Drive Vertical      |                                 |
| 5 - Motor Drive Horizontal    |                                 |
| 6 - Motor Drive Axial         |                                 |
| 7 - Blower Inboard Vertical   |                                 |
| 8 - Blower Inboard Horizontal |                                 |
| 9 - Blower Inboard Axial      |                                 |

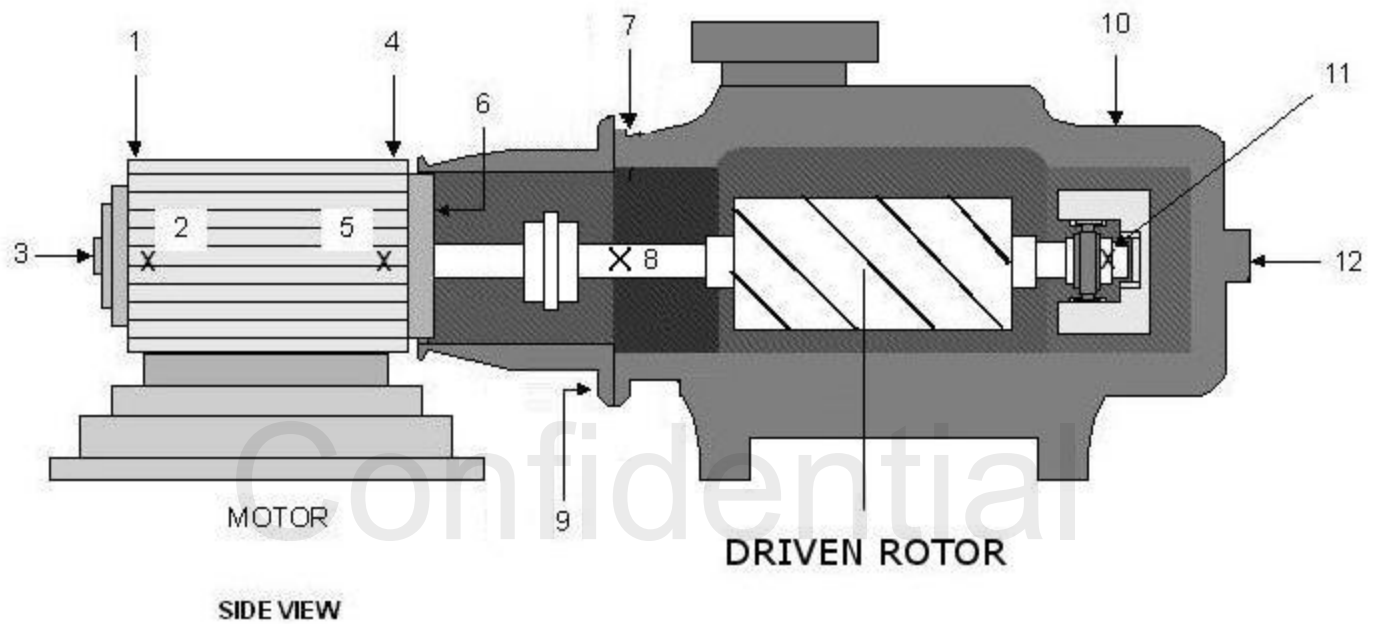
# Quincy QMB



## MEASUREMENT POINTS

- |                               |                                 |
|-------------------------------|---------------------------------|
| 1 - Motor Off-End Vertical    | 10 - Blower Outboard Vertical   |
| 2 - Motor Off-End Horizontal  | 11 - Blower Outboard Horizontal |
| 3 - Motor Off-End Axial       | 12 - Blower Outboard Axial      |
| 4 - Motor Drive Vertical      |                                 |
| 5 - Motor Drive Horizontal    |                                 |
| 6 - Motor Drive Axial         |                                 |
| 7 - Blower Inboard Vertical   |                                 |
| 8 - Blower Inboard Horizontal |                                 |
| 9 - Blower Inboard Axial      |                                 |

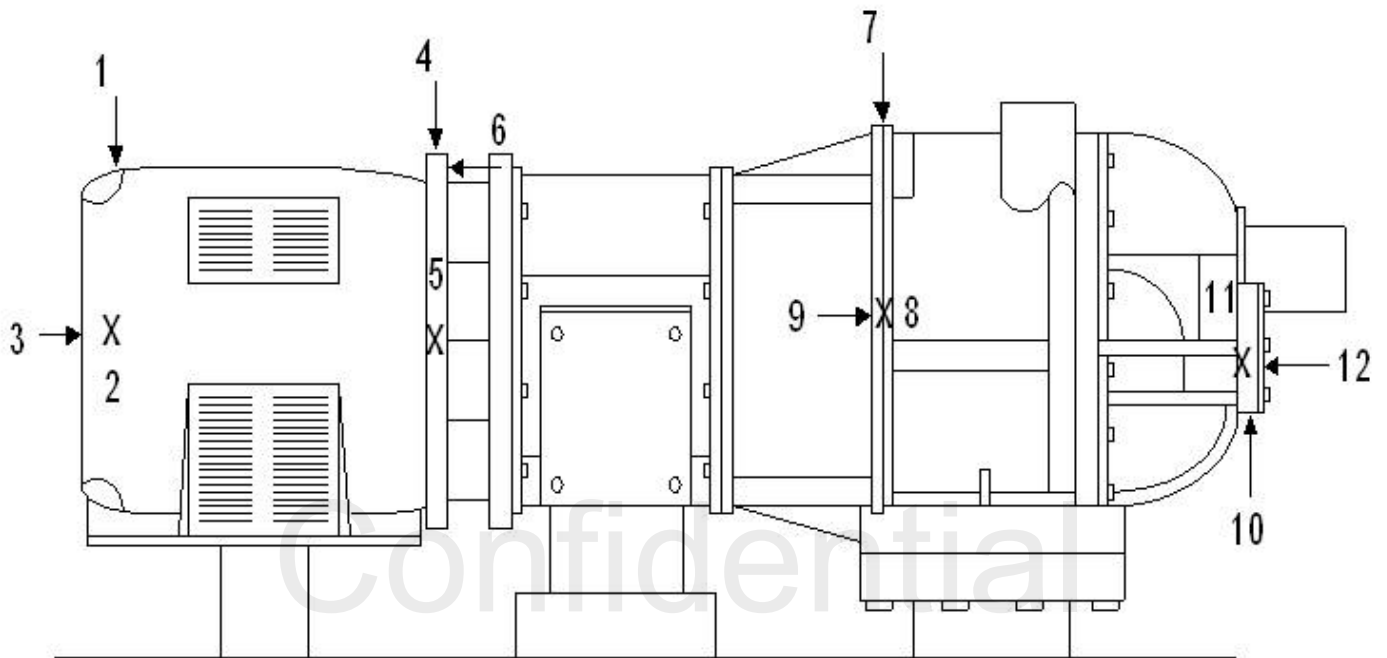
# Quincy QSVI



## MEASUREMENT POINTS

- |                             |                                    |
|-----------------------------|------------------------------------|
| 1. Motor Off End Vertical   | 7. Compressor Inboard Vertical     |
| 2. Motor Off End Horizontal | 8. Compressor Inboard Horizontal   |
| 3. Motor Off End Axial      | 9. Compressor Inboard Axial        |
| 4. Motor Drive Vertical     | 10. Compressor Outboard Vertical   |
| 5. Motor Drive Horizontal   | 11. Compressor Outboard Horizontal |
| 6. Motor Drive Axial        | 12. Compressor Outboard Axial      |

# QUINCY

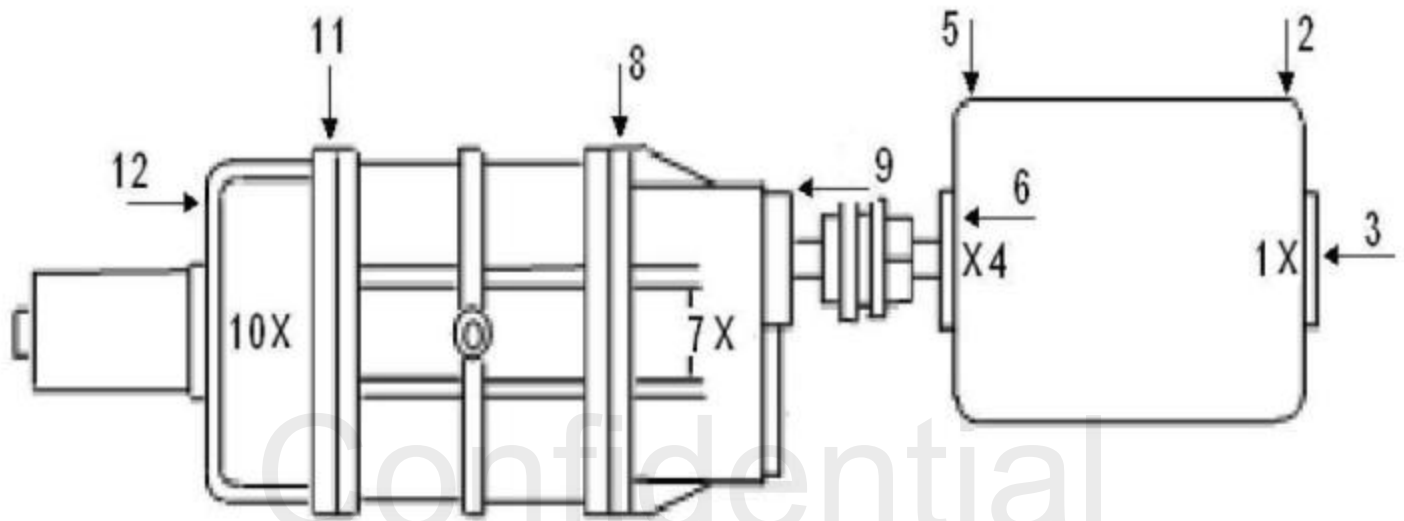


## MEASUREMENT POINTS

1 - MOTOV Vertical  
2 - MOTOV Horizontal  
3 - MOTOV Axial  
4 - MOTDR Vertical  
5 - MOTDR Horizontal  
6 - MOTDR Axial

7 - COMIB Vertical  
8 - COMIB Horizontal  
9 - COMIB Axial  
10 - COMOB Vertical  
11 - COMOB Horizontal  
12 - COMOB Axial

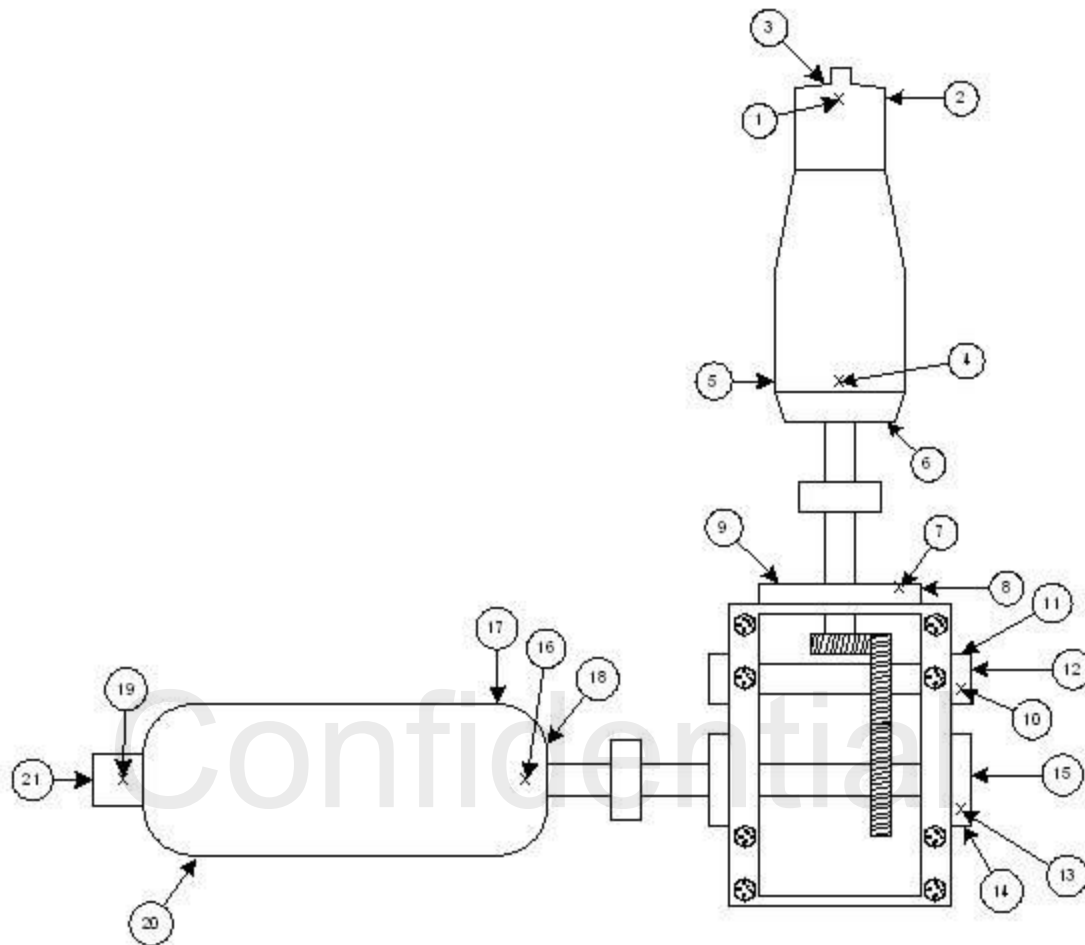
# RECO MK6B



## MEASUREMENT POINTS

- |                              |                                    |
|------------------------------|------------------------------------|
| 1- Motor Outboard Vertical   | 7- Compressor Inboard Vertical     |
| 2- Motor Outboard Horizontal | 8- Compressor Inboard Horizontal   |
| 3- Motor Outboard Axial      | 9- Compressor In. Axial            |
| 4- Motor Inboard Vertical    | 10- Compressor Outboard Vertical   |
| 5- Motor Inboard Horizontal  | 11- Compressor Outboard Horizontal |
| 6- Motor Inboard Axial       | 12- Compressor Outboard Axial      |

# RECOILER

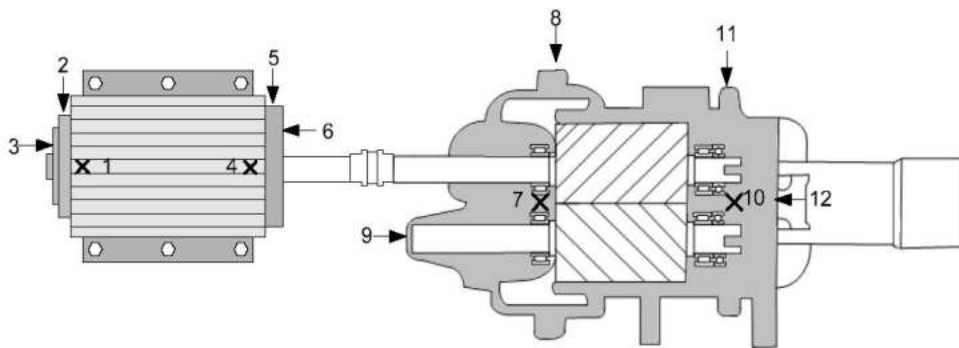


**\*SENSOR MOUNTING TABS REQUIRED**

## MEASUREMENT POINTS

- |                                |                                  |
|--------------------------------|----------------------------------|
| 1 - MOTOF Vertical             | 12 - Gearbox Middle Axial        |
| 2 - MOTOF Horizontal           | 13 - Gearbox Outboard Vertical   |
| 3 - MOTOF Axial                | 14 - Gearbox Outboard Horizontal |
| 4 - MOTDR Vertical             | 15 - Gearbox Outboard Axial      |
| 5 - MOTDR Horizontal           | 16 - Arbor Inboard Vertical      |
| 6 - MOTDR Axial                | 17 - Arbor Inboard Horizontal    |
| 7 - Gearbox Inboard Vertical   | 18 - Arbor Inboard Axial         |
| 8 - Gearbox Inboard Horizontal | 19 - Arbor Outboard Vertical     |
| 9 - Gearbox Inboard Axial      | 20 - Arbor Outboard Horizontal   |
| 10 - Gearbox Middle Vertical   | 21 - Arbor Outboard Axial        |
| 11 - Gearbox Middle Horizontal |                                  |

# SABROE



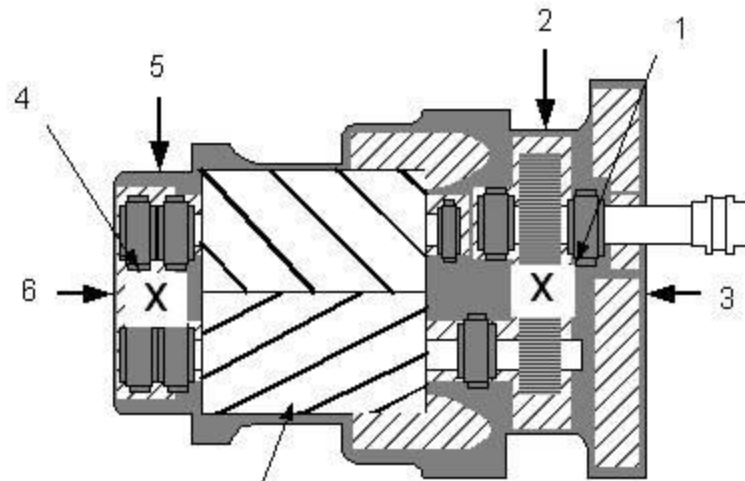
Confidential

Top View

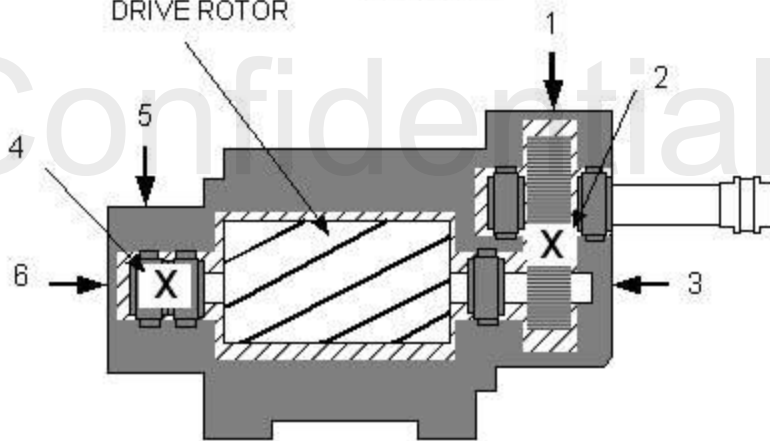
## MEASUREMENT POINTS

- |                      |                       |
|----------------------|-----------------------|
| 1 - MOTOF Vertical   | 7 - COMIB Vertical    |
| 2 - MOTOF Horizontal | 8 - COMIB Horizontal  |
| 3 - MOTOF Axial      | 9 - COMIB Axial       |
| 4 - MOTDR Vertical   | 10 - COMOB Vertical   |
| 5 - MOTDR Horizontal | 11 - COMOB Horizontal |
| 6 - MOTDR Axial      | 12 - COMOB Axial      |

# SULLAIR



TOP VIEW



SIDE VIEW

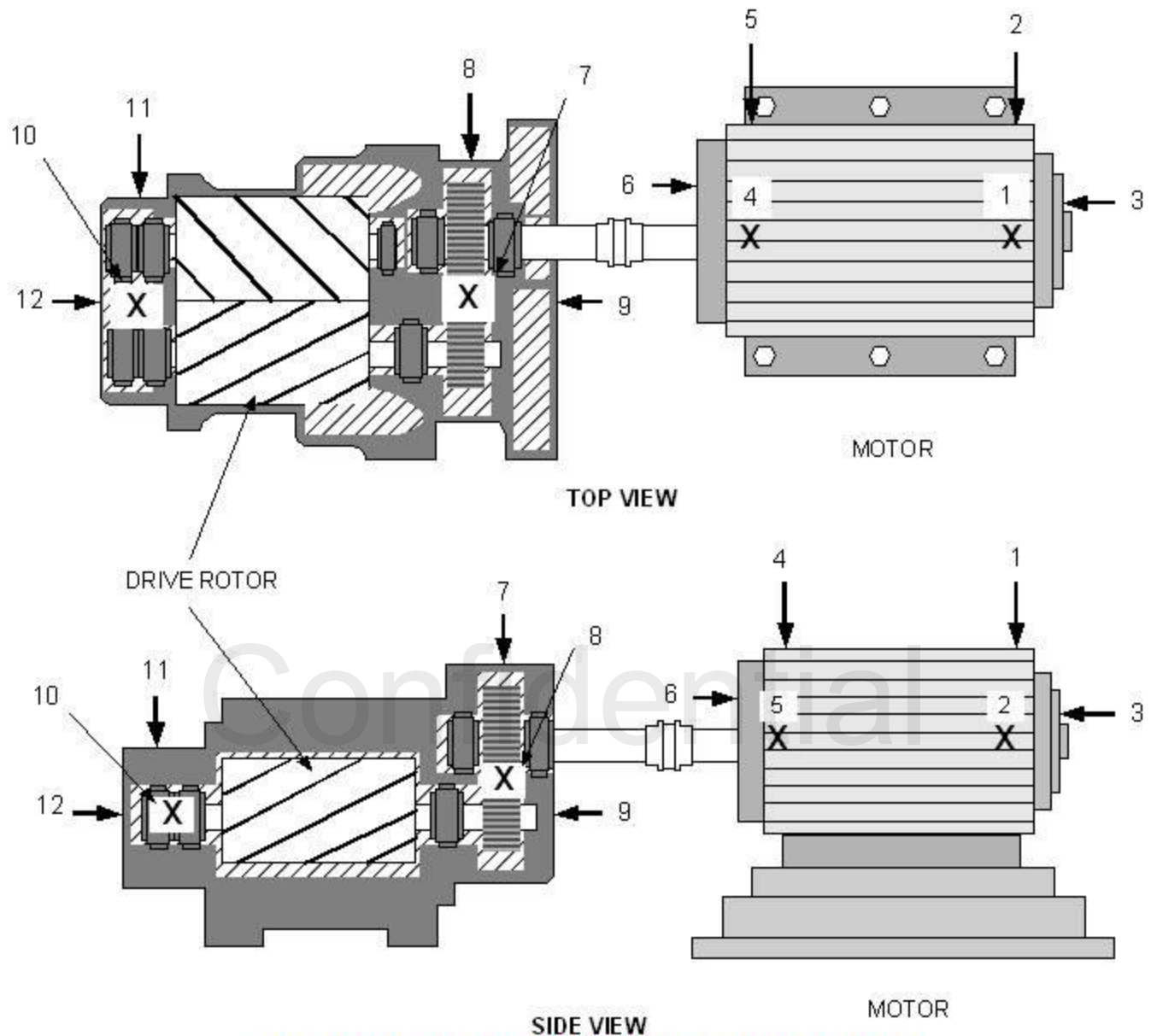
**\*SENSOR MOUNTING TABS REQUIRED**

## MEASUREMENT POINTS

1. Compressor Inboard Vertical
2. Compressor Inboard Horizontal
3. Compressor Inboard Axial

4. Compressor Outboard Vertical
5. Compressor Outboard Horizontal
6. Compressor Outboard Axial

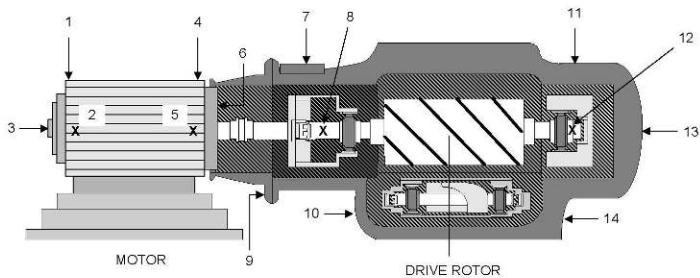
# SULLAIR-LS



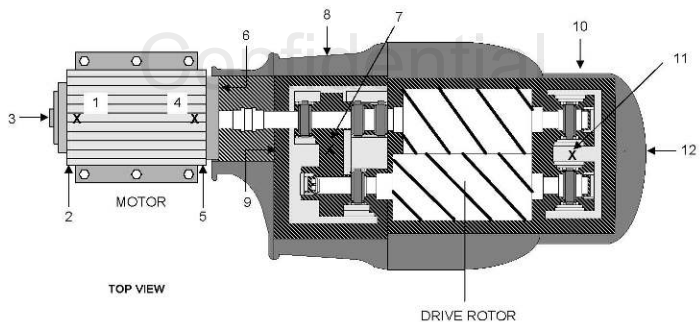
**\*SENSOR MOUNTING TABS REQUIRED**  
**MEASUREMENT POINTS**

- |                             |                                    |
|-----------------------------|------------------------------------|
| 1. Motor Off End Vertical   | 7. Compressor Inboard Vertical     |
| 2. Motor Off End Horizontal | 8. Compressor Inboard Horizontal   |
| 3. Motor Off End Axial      | 9. Compressor Inboard Axial        |
| 4. Motor Drive Vertical     | 10. Compressor Outboard Vertical   |
| 5. Motor Drive Horizontal   | 11. Compressor Outboard Horizontal |
| 6. Motor Drive Axial        | 12. Compressor Outboard Axial      |

# Sullair



SIDE VIEW

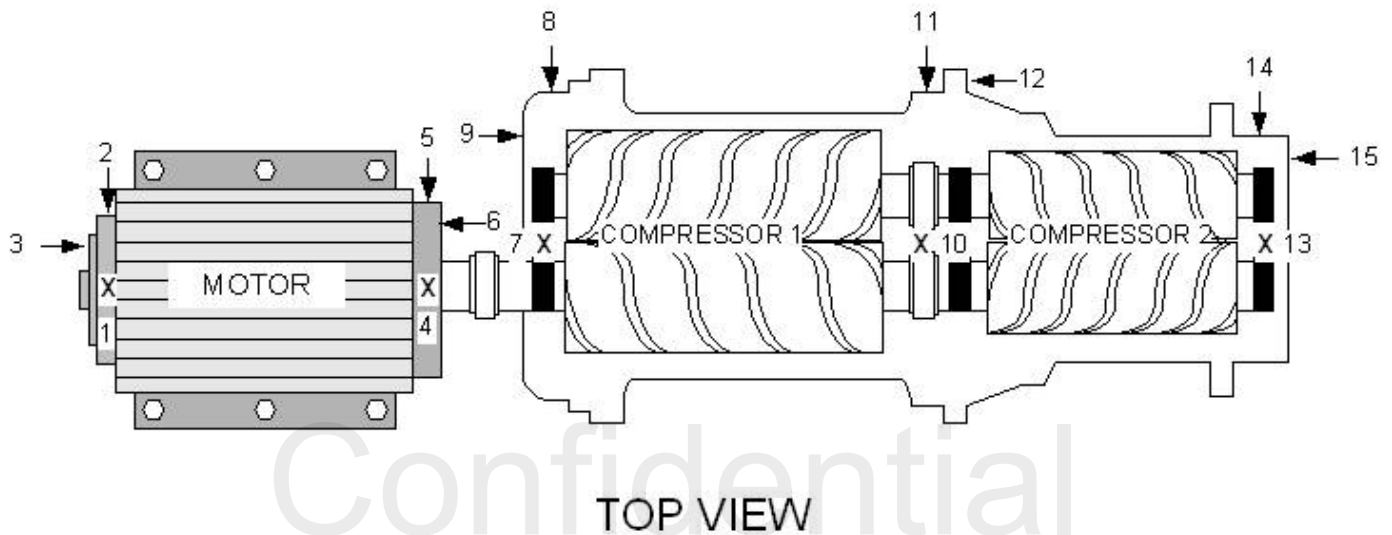


TOP VIEW

## MEASUREMENT POINTS

- |                             |                                    |
|-----------------------------|------------------------------------|
| 1. Motor Off End Vertical   | 8. Compressor Inboard Horizontal   |
| 2. Motor Off End Horizontal | 9. Compressor Inboard Axial        |
| 3. Motor Off End Axial      | 10. Compressor Outboard Vertical   |
| 4. Motor Drive Vertical     | 11. Compressor Outboard Horizontal |
| 5. Motor Drive Horizontal   | 12. Compressor Outboard Axial      |
| 6. Motor Drive Axial        |                                    |

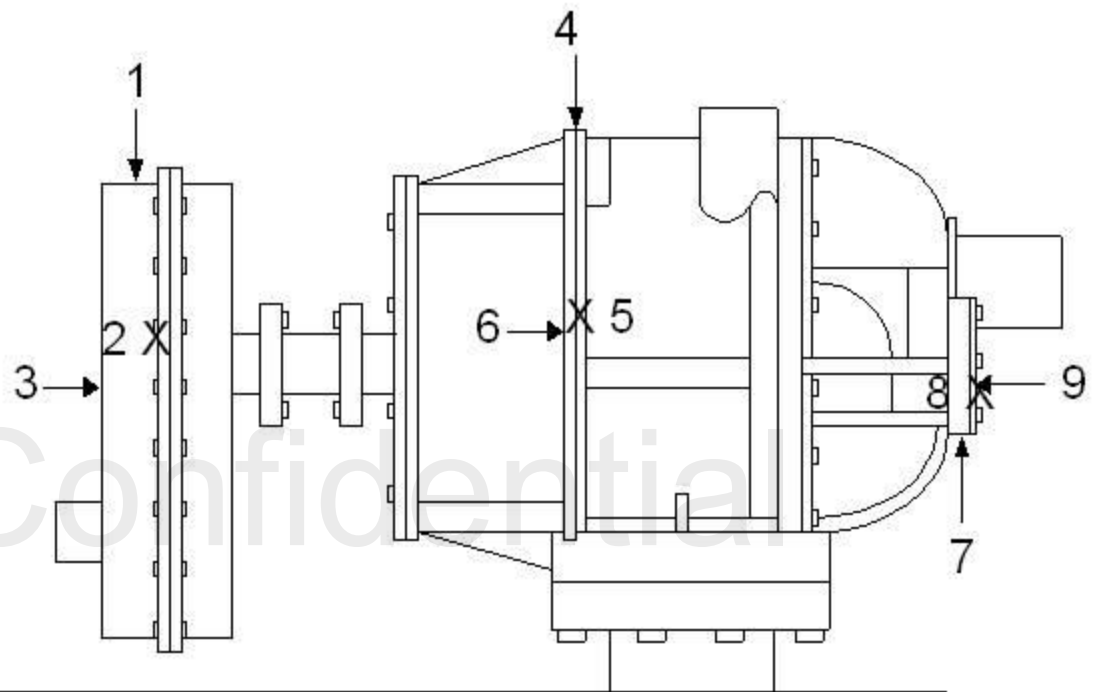
# SULLAIR TS32S



## MEASUREMENT POINTS

- |                              |                              |
|------------------------------|------------------------------|
| 1 - Motor Off-End Vertical   | 9 - Compressor 1 Axial       |
| 2 - Motor Off-End Horizontal | 10 - Interstage Vertical     |
| 3 - Motor Off-End Axial      | 11 - Interstage Horizontal   |
| 4 - Motor Drive Vertical     | 12 - Interstage Axial        |
| 5 - Motor Drive Horizontal   | 13 - Compressor 2 Vertical   |
| 6 - Motor Drive Axial        | 14 - Compressor 2 Horizontal |
| 7 - Compressor 1 Vertical    | 15 - Compressor 2 Axial      |
| 8 - Compressor 1 Horizontal  |                              |

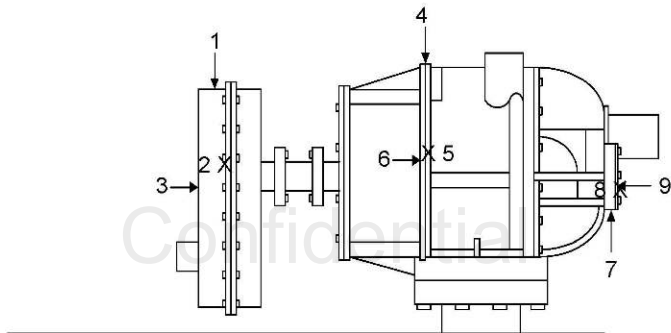
# TECOCHILL CH-600



## MEASUREMENT POINTS

- |                      |                      |
|----------------------|----------------------|
| 1 - SI Vertical      | 7 - COMOB Vertical   |
| 2 - SI Horizontal    | 8 - COMOB Horizontal |
| 3 - SI Axial         | 9 - COMOB Axial      |
| 4 - COMIB Vertical   |                      |
| 5 - COMIB Horizontal |                      |
| 6 - COMIB Axial      |                      |

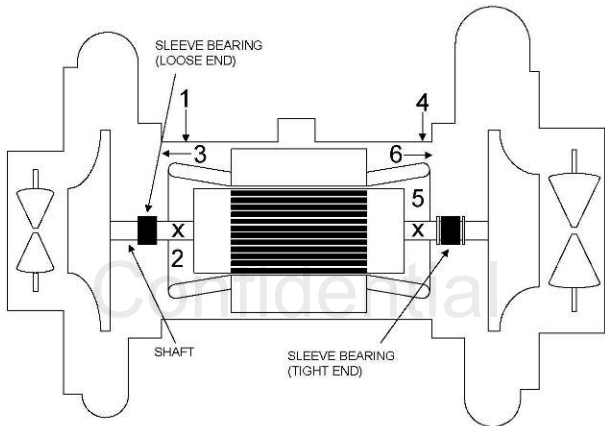
# TECOCHILL CH-700



## MEASUREMENT POINTS

- |                      |                      |
|----------------------|----------------------|
| 1 - SI Vertical      | 7 - COMOB Vertical   |
| 2 - SI Horizontal    | 8 - COMOB Horizontal |
| 3 - SI Axial         | 9 - COMOB Axial      |
| 4 - COMIB Vertical   |                      |
| 5 - COMIB Horizontal |                      |
| 6 - COMIB Axial      |                      |

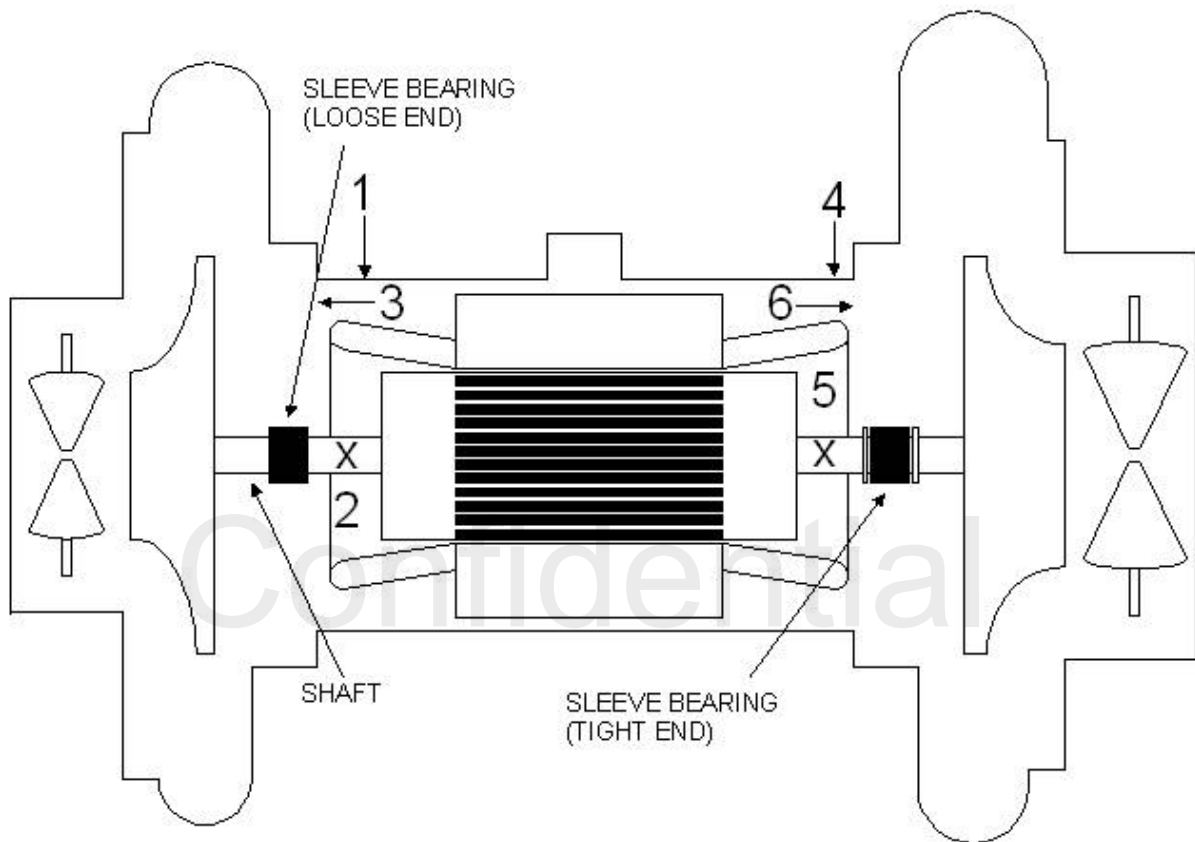
# TRANE B



## MEASUREMENT POINTS

- |                          |                        |
|--------------------------|------------------------|
| 1 - Discharge Vertical   | 4 - Suction Vertical   |
| 2 - Discharge Horizontal | 5 - Suction Horizontal |
| 3 - Discharge Axial      | 6 - Suction Axial      |

# TRANE C

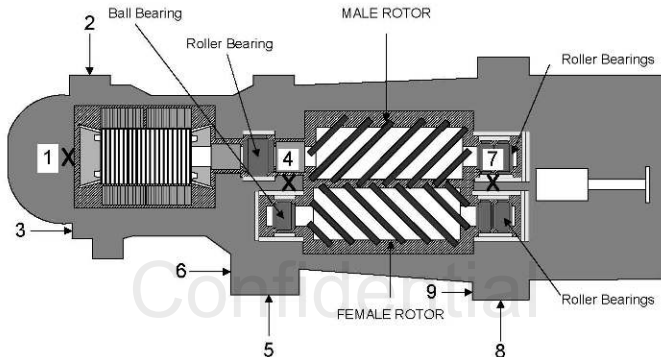


## MEASUREMENT POINTS

- 1 - Discharge Vertical
- 2 - Discharge Horizontal
- 3 - Discharge Axial

- 4 - Suction Vertical
- 5 - Suction Horizontal
- 6 - Suction Axial

# TRANE CHHA

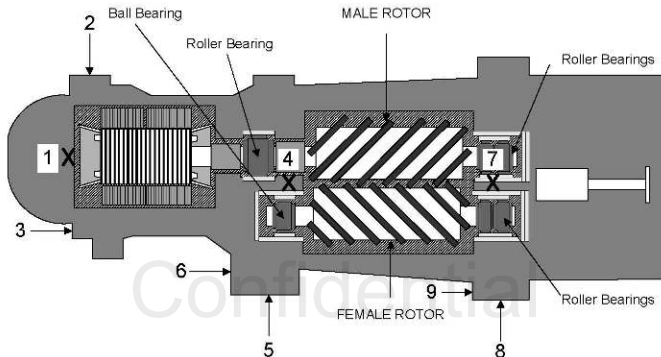


TOP VIEW

## MEASUREMENT POINTS

- |                      |                           |
|----------------------|---------------------------|
| 1 - Motor Vertical   | 6 - Mocom Axial           |
| 2 - Motor Horizontal | 7 - Compressor Vertical   |
| 3 - Motor Axial      | 8 - Compressor Horizontal |
| 4 - Mocom Vertical   | 9 - Compressor Axial      |
| 5 - Mocom Horizontal |                           |

# TRANE CHHB

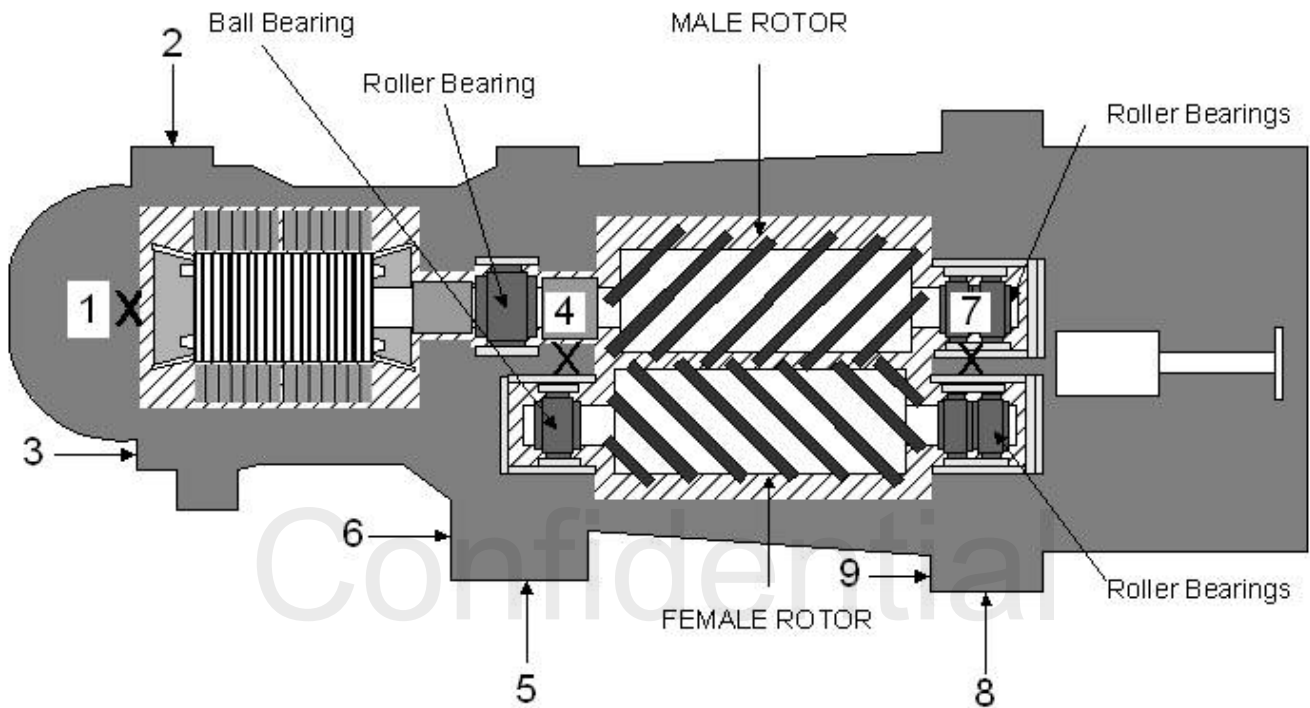


TOP VIEW

## MEASUREMENT POINTS

- |                      |                           |
|----------------------|---------------------------|
| 1 - Motor Vertical   | 6 - Mocom Axial           |
| 2 - Motor Horizontal | 7 - Compressor Vertical   |
| 3 - Motor Axial      | 8 - Compressor Horizontal |
| 4 - Mocom Vertical   | 9 - Compressor Axial      |
| 5 - Mocom Horizontal |                           |

# TRANE CHHC

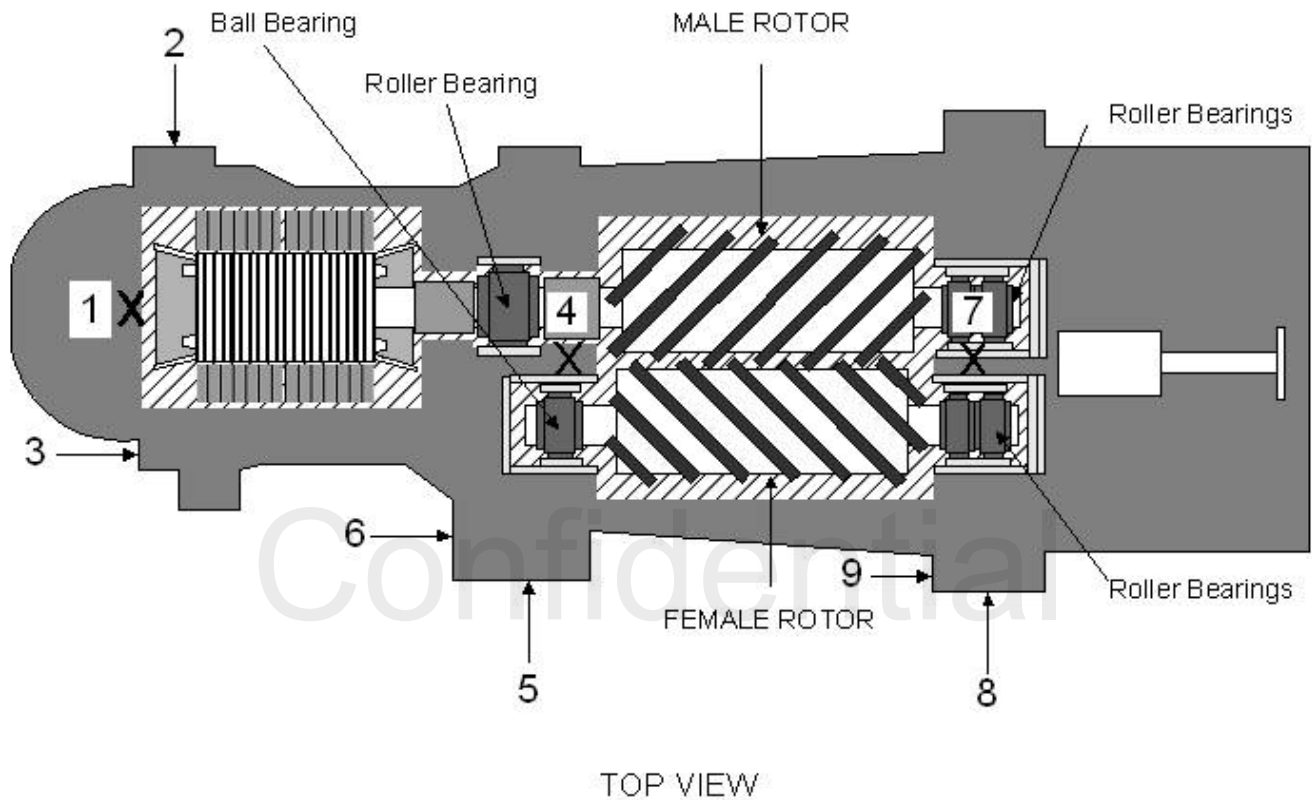


TOP VIEW

## MEASUREMENT POINTS

- |                      |                           |
|----------------------|---------------------------|
| 1 - Motor Vertical   | 6 - Mocom Axial           |
| 2 - Motor Horizontal | 7 - Compressor Vertical   |
| 3 - Motor Axial      | 8 - Compressor Horizontal |
| 4 - Mocom Vertical   | 9 - Compressor Axial      |
| 5 - Mocom Horizontal |                           |

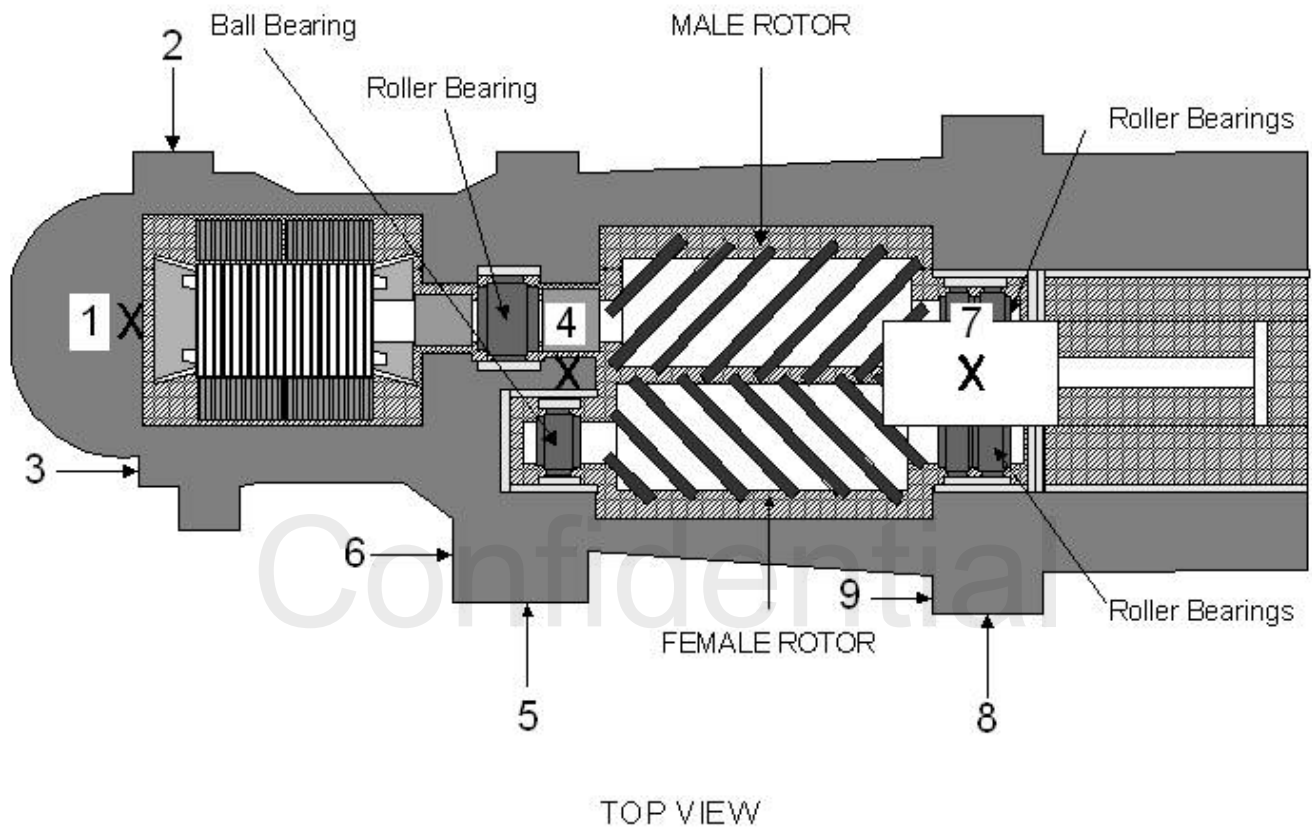
# TRANE CHHN



## MEASUREMENT POINTS

- |                      |                           |
|----------------------|---------------------------|
| 1 - Motor Vertical   | 6 - Mocom Axial           |
| 2 - Motor Horizontal | 7 - Compressor Vertical   |
| 3 - Motor Axial      | 8 - Compressor Horizontal |
| 4 - Mocom Vertical   | 9 - Compressor Axial      |
| 5 - Mocom Horizontal |                           |

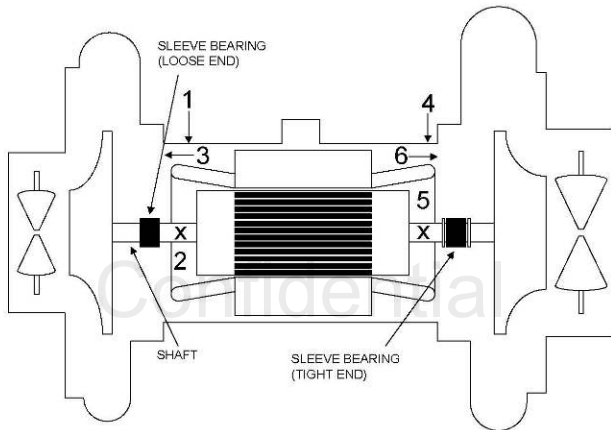
# TRANE CHHP



## MEASUREMENT POINTS

- |                      |                           |
|----------------------|---------------------------|
| 1 - Motor Vertical   | 6 - Mocom Axial           |
| 2 - Motor Horizontal | 7 - Compressor Vertical   |
| 3 - Motor Axial      | 8 - Compressor Horizontal |
| 4 - Mocom Vertical   | 9 - Compressor Axial      |
| 5 - Mocom Horizontal |                           |

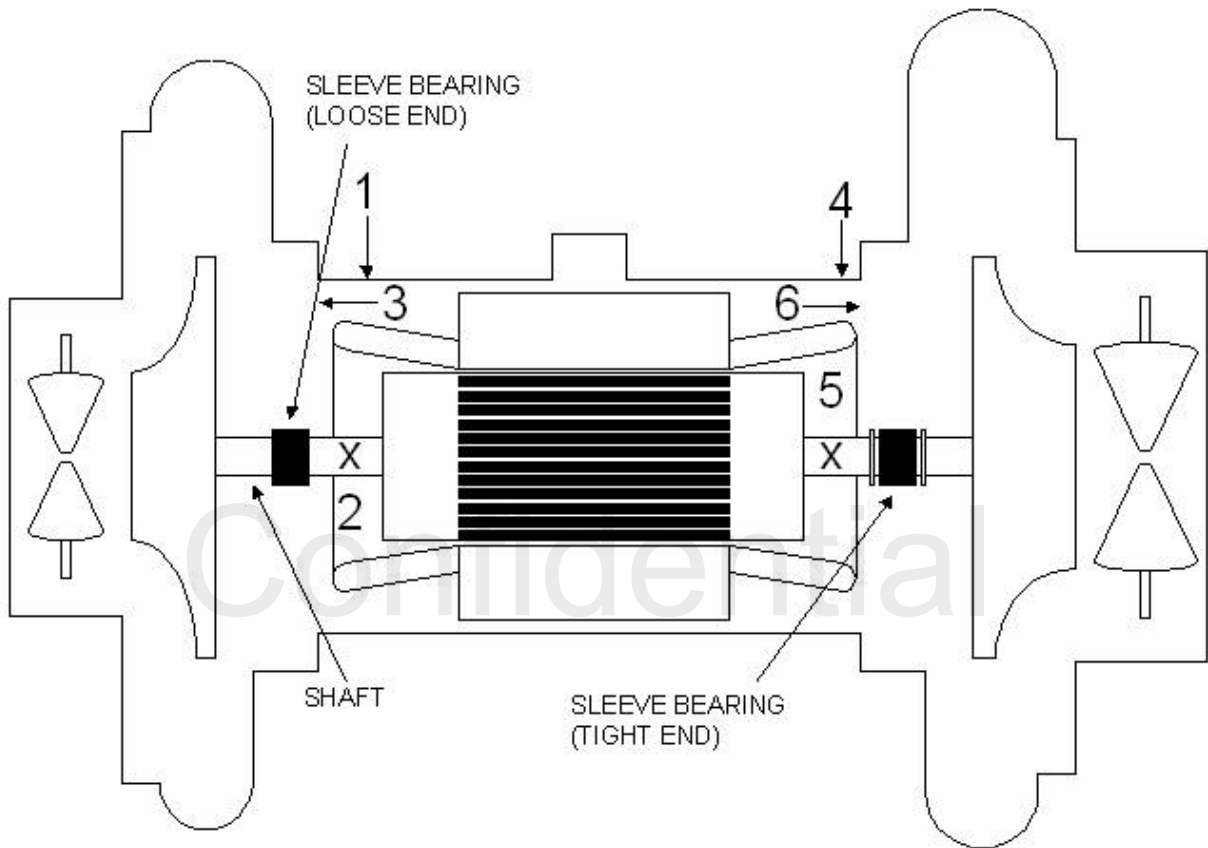
# TRANE CTV



## MEASUREMENT POINTS

- |                          |                        |
|--------------------------|------------------------|
| 1 - Discharge Vertical   | 4 - Suction Vertical   |
| 2 - Discharge Horizontal | 5 - Suction Horizontal |
| 3 - Discharge Axial      | 6 - Suction Axial      |

# TRANE CV

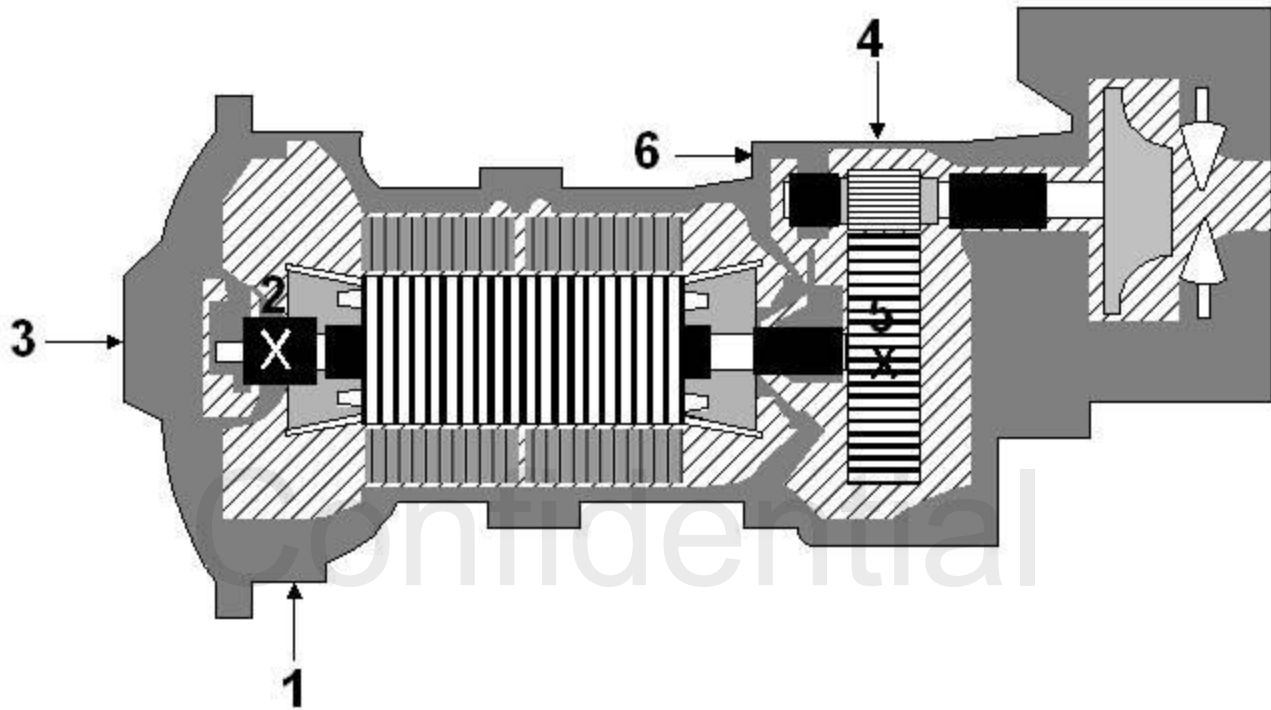


## MEASUREMENT POINTS

- 1 - Discharge Vertical
- 2 - Discharge Horizontal
- 3 - Discharge Axial

- 4 - Suction Vertical
- 5 - Suction Horizontal
- 6 - Suction Axial

# TRANE CVAA



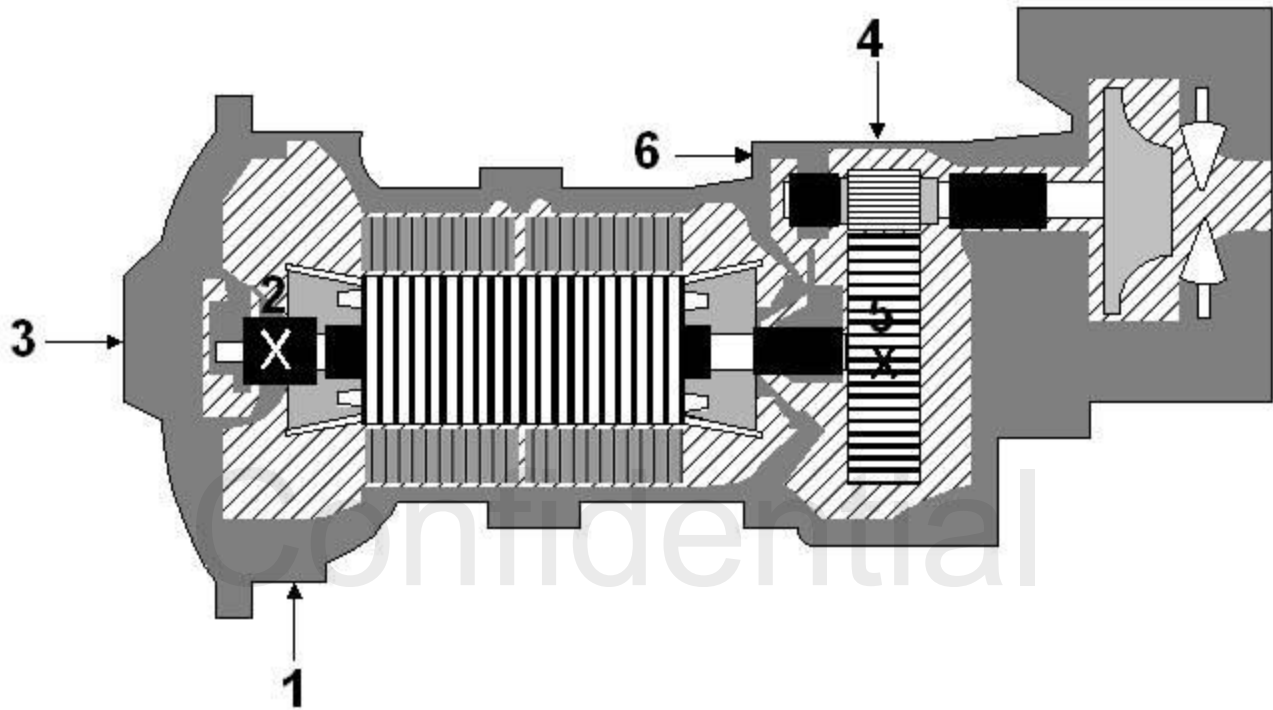
**\*SENSOR MOUNTING TABS REQUIRED**

## MEASUREMENT POINTS

1 - Motor Vertical  
2 - Motor Horizontal  
3 - Motor Axial

4 - Compressor Vertical  
5 - Compressor Horizontal  
6 - Compressor Axial

# TRANE CVAB



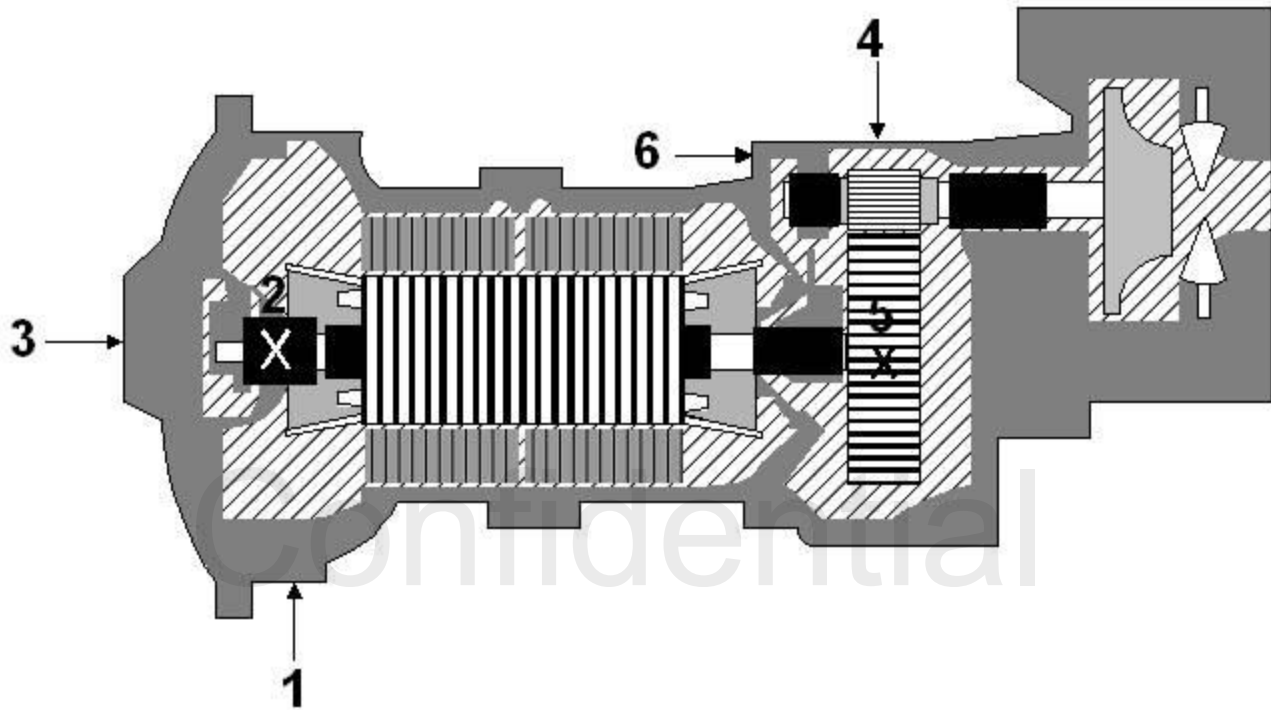
**\*SENSOR MOUNTING TABS REQUIRED**

## MEASUREMENT POINTS

- 1 - Motor Vertical
- 2 - Motor Horizontal
- 3 - Motor Axial

- 4 - Compressor Vertical
- 5 - Compressor Horizontal
- 6 - Compressor Axial

# TRANE CVAC



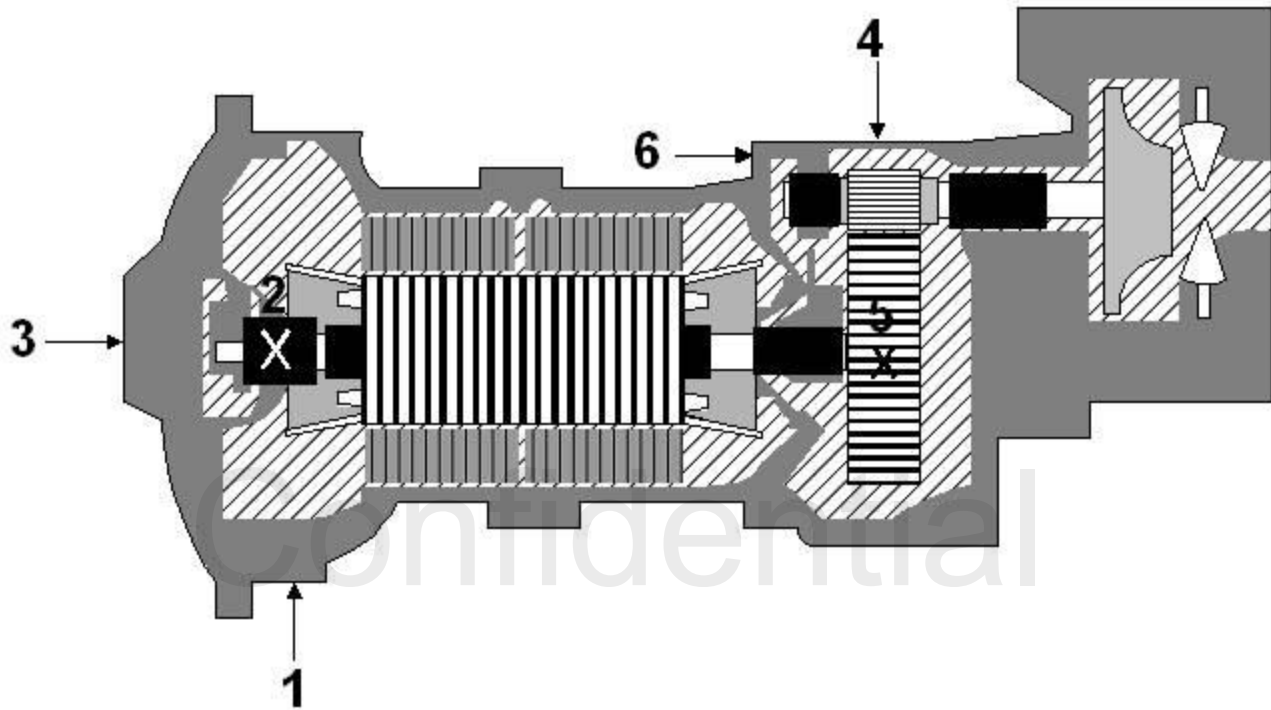
**\*SENSOR MOUNTING TABS REQUIRED**

## MEASUREMENT POINTS

1 - Motor Vertical  
2 - Motor Horizontal  
3 - Motor Axial

4 - Compressor Vertical  
5 - Compressor Horizontal  
6 - Compressor Axial

# TRANE CVAE



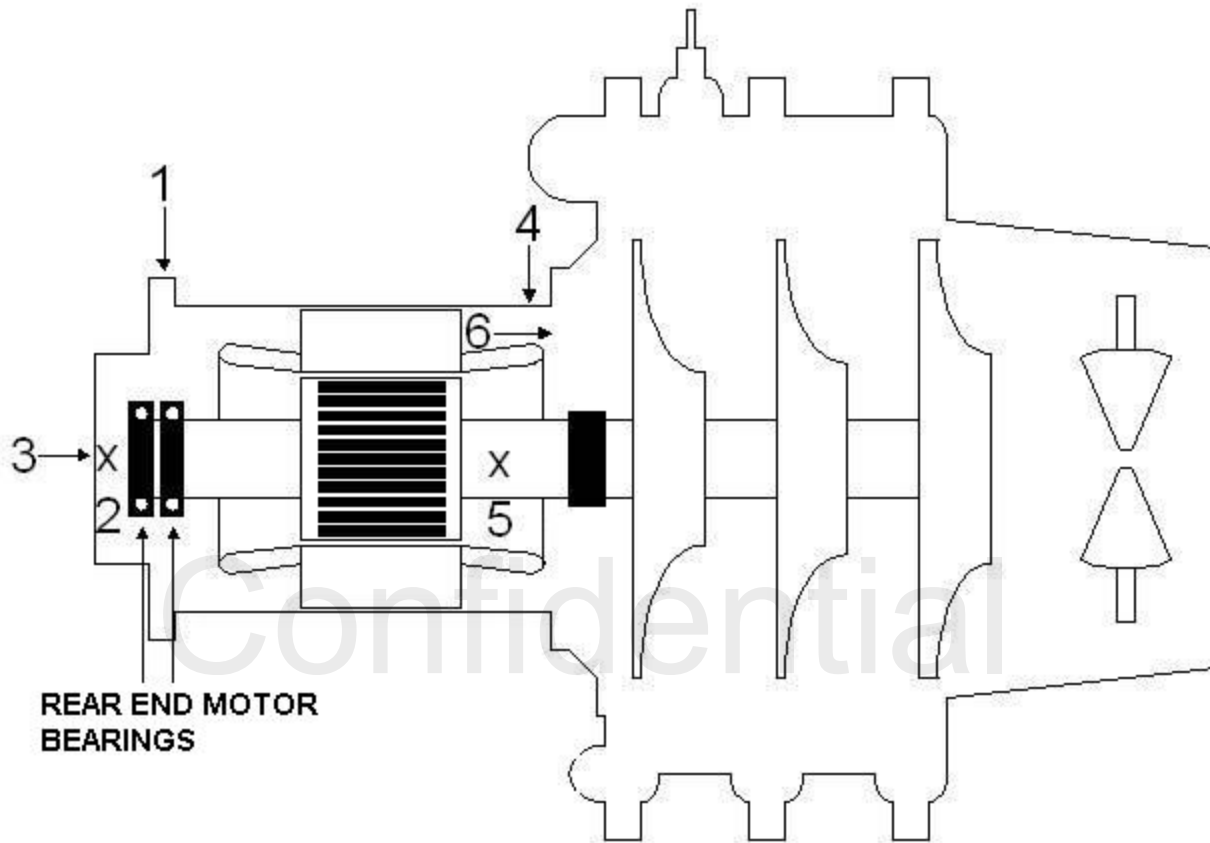
**\*SENSOR MOUNTING TABS REQUIRED**

## MEASUREMENT POINTS

1 - Motor Vertical  
2 - Motor Horizontal  
3 - Motor Axial

4 - Compressor Vertical  
5 - Compressor Horizontal  
6 - Compressor Axial

# TRANE CVCA

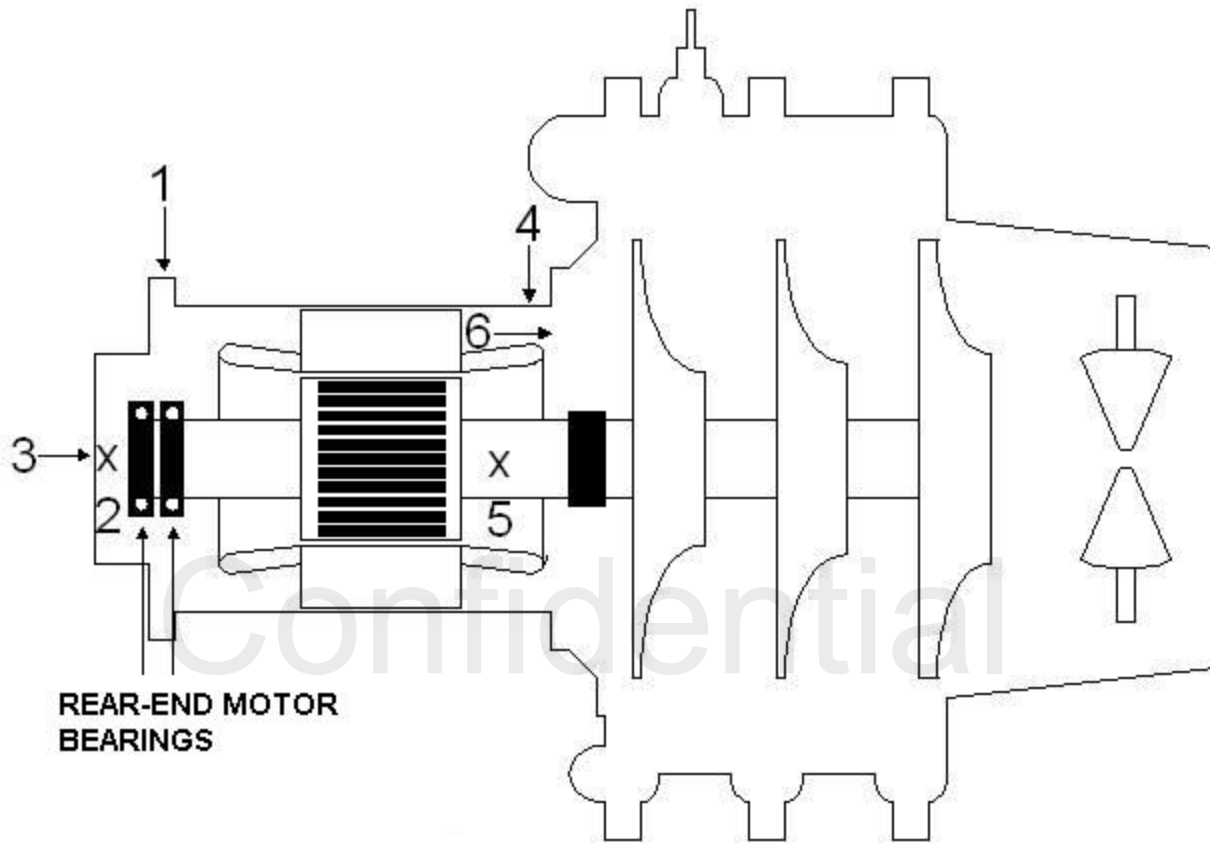


## MEASUREMENT POINTS

- 1 - Motor Vertical
- 2 - Motor Horizontal
- 3 - Motor Axial

- 4 - Compressor Vertical
- 5 - Compressor Horizontal
- 6 - Compressor Axial

# TRANE CVCB

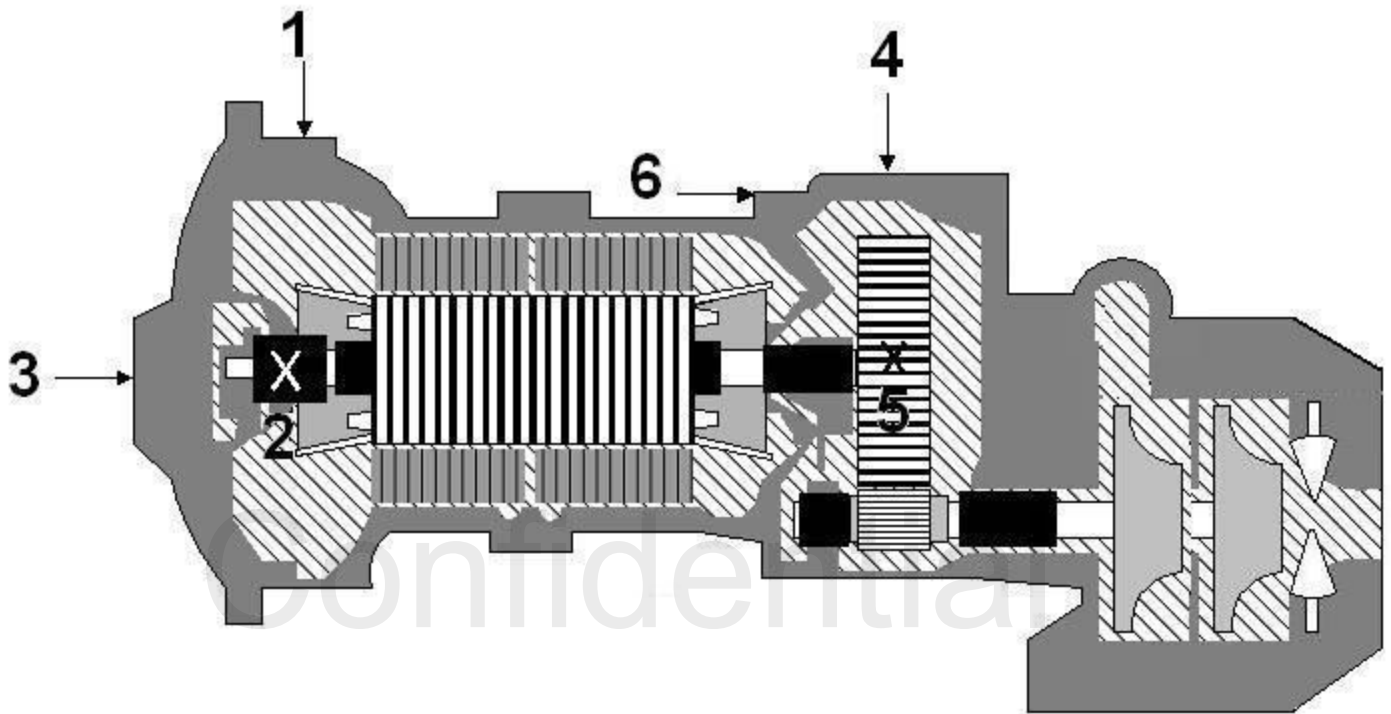


## MEASUREMENT POINTS

- 1 - Motor Vertical
- 2 - Motor Horizontal
- 3 - Motor Axial

- 4 - Compressor Vertical
- 5 - Compressor Horizontal
- 6 - Compressor Axial

# TRANE CVGE



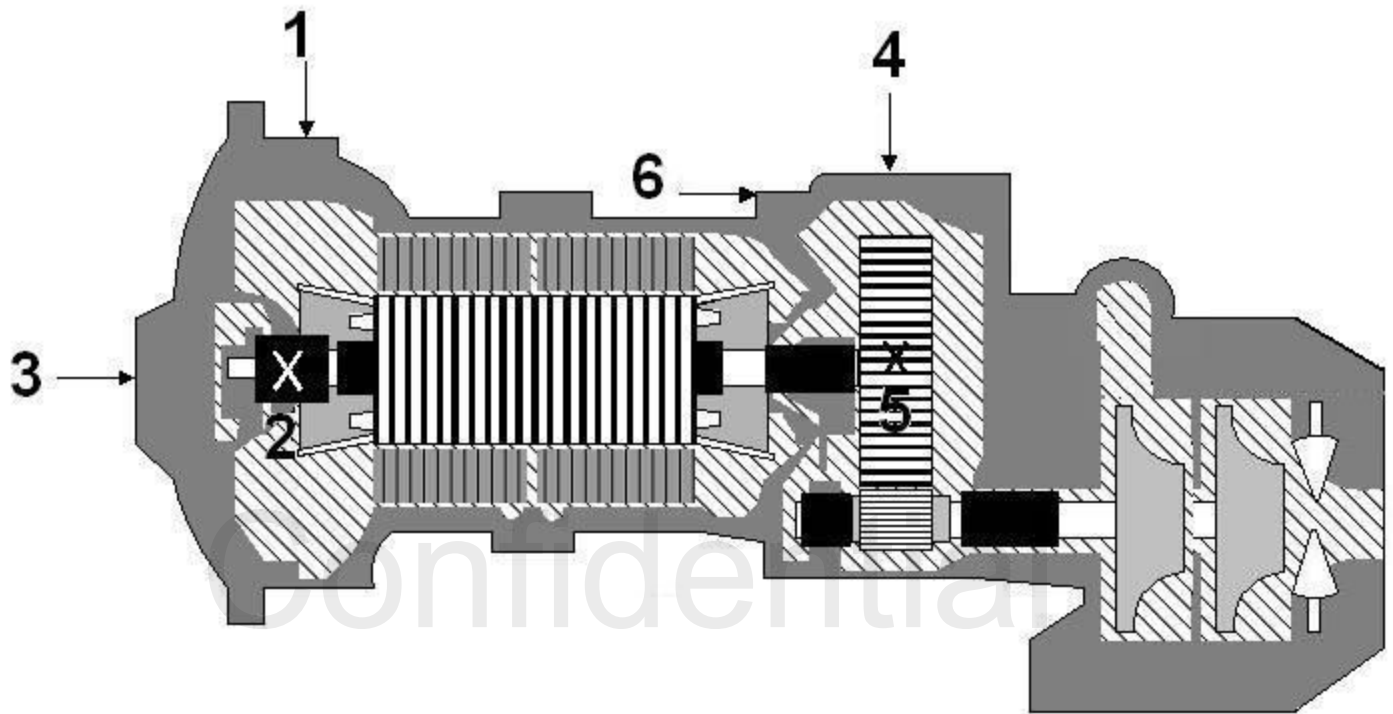
**\*SENSOR MOUNTING TABS REQUIRED**

## MEASUREMENT POINTS

- 1 - Motor Vertical
- 2 - Motor Horizontal
- 3 - Motor Axial

- 4 - Compressor Vertical
- 5 - Compressor Horizontal
- 6 - Compressor Axial

# TRANE CVGF



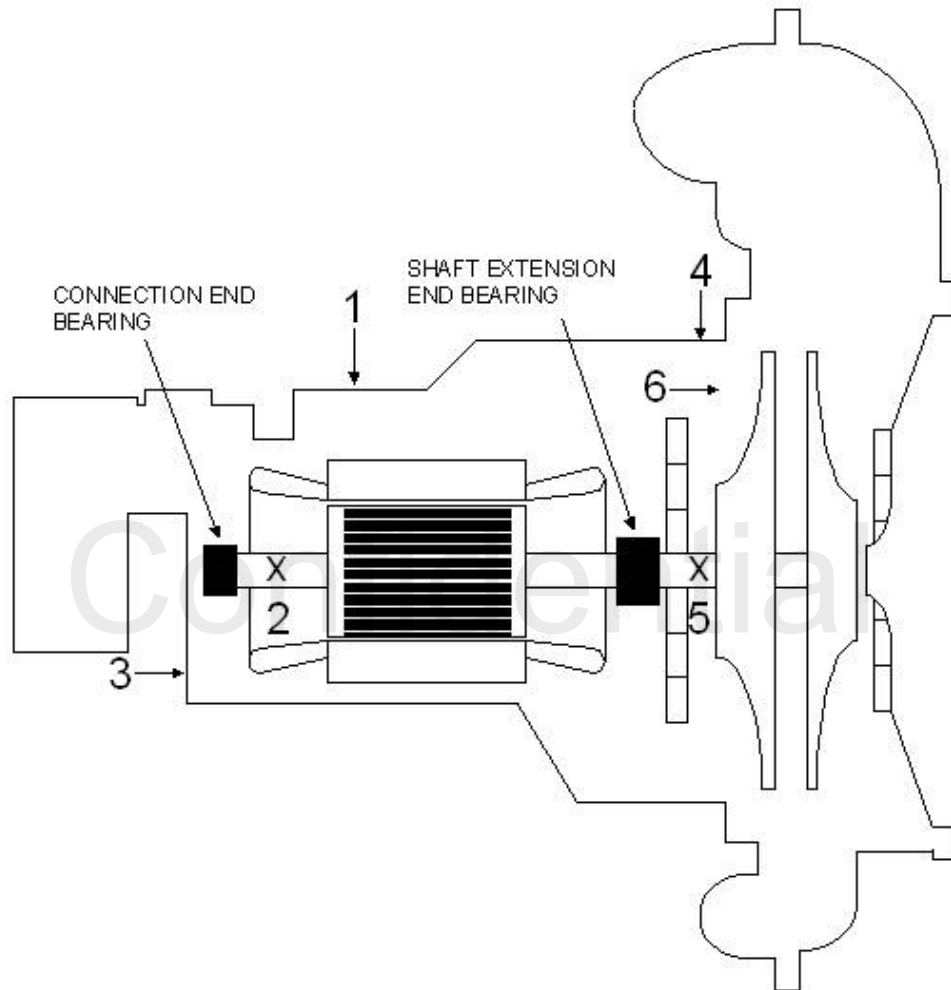
**\*SENSOR MOUNTING TABS REQUIRED**

## MEASUREMENT POINTS

1 - Motor Vertical  
2 - Motor Horizontal  
3 - Motor Axial

4 - Compressor Vertical  
5 - Compressor Horizontal  
6 - Compressor Axial

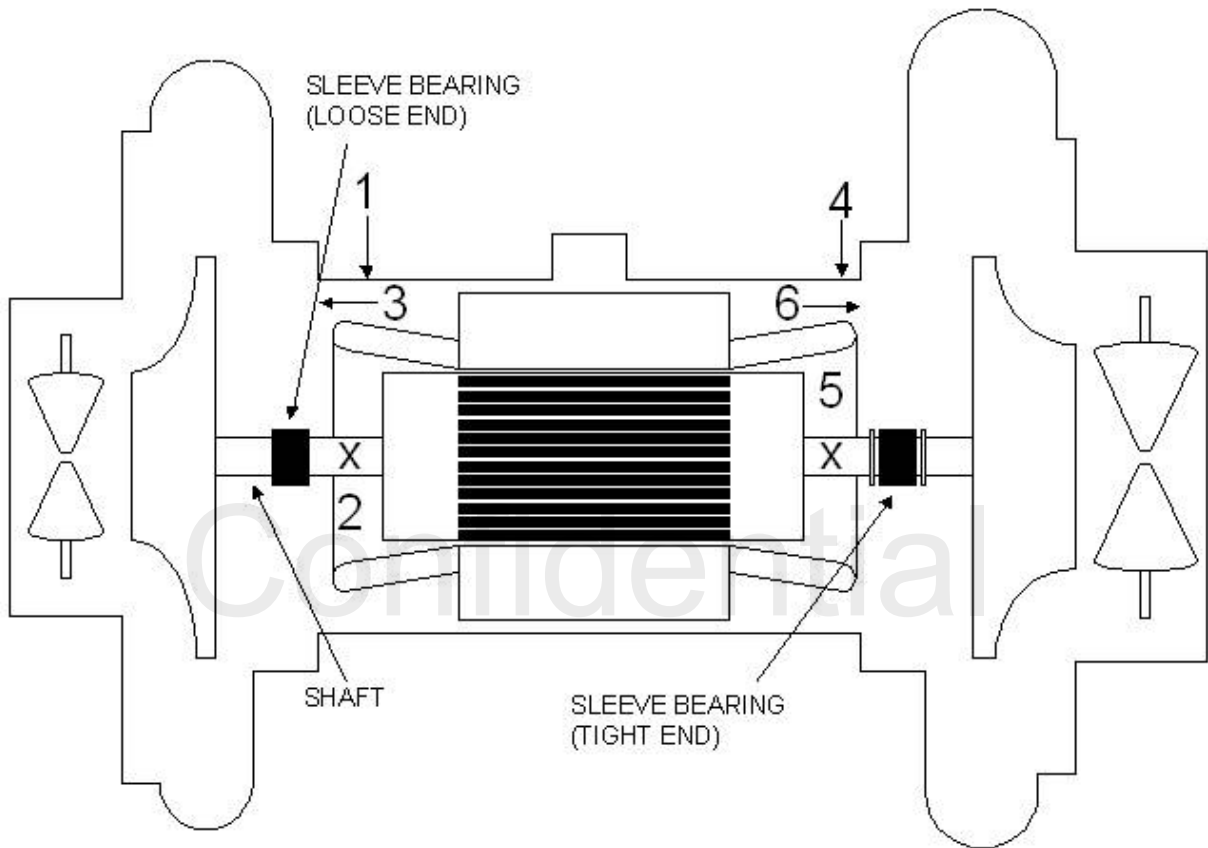
# TRANE CVHA



## MEASUREMENT POINTS

- |                      |                           |
|----------------------|---------------------------|
| 1 - Motor Vertical   | 4 - Compressor Vertical   |
| 2 - Motor Horizontal | 5 - Compressor Horizontal |
| 3 - Motor Axial      | 6 - Compressor Axial      |

# TRANE CVHA

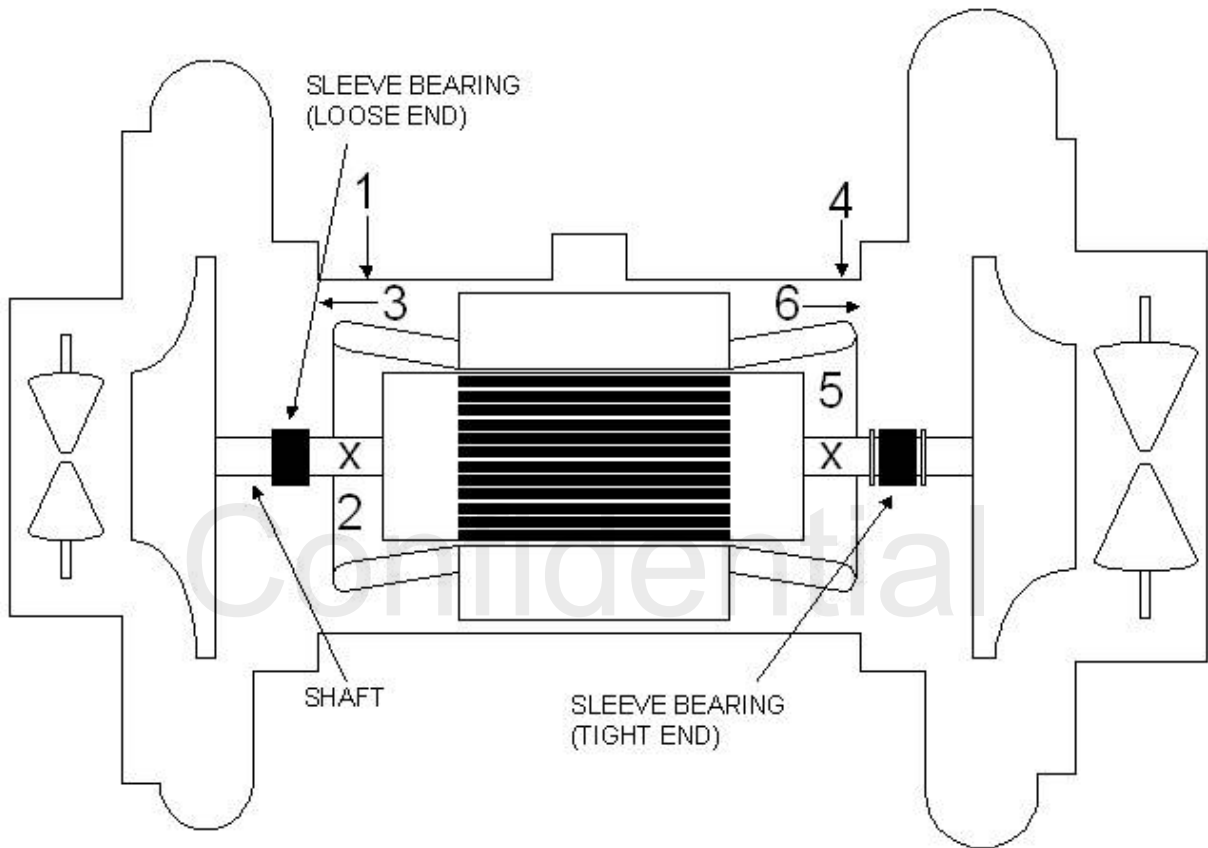


## MEASUREMENT POINTS

- 1 - Discharge Vertical
- 2 - Discharge Horizontal
- 3 - Discharge Axial

- 4 - Suction Vertical
- 5 - Suction Horizontal
- 6 - Suction Axial

# TRANE CVHB

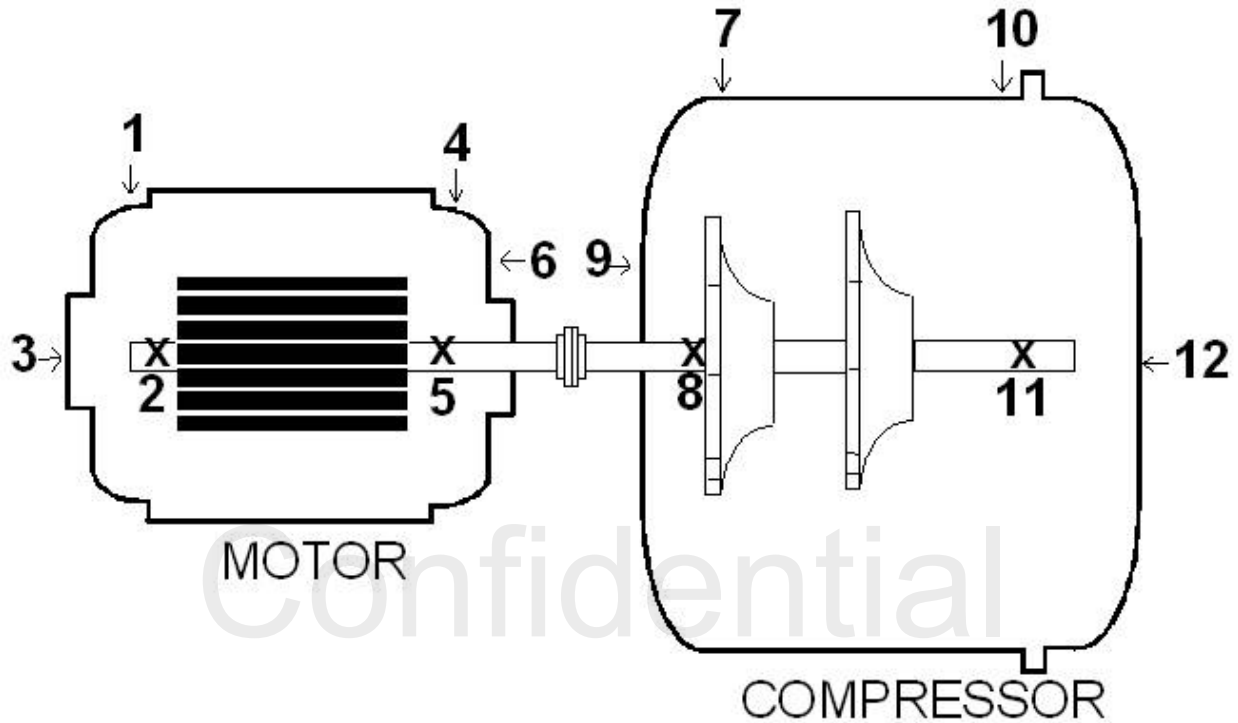


## MEASUREMENT POINTS

- 1 - Discharge Vertical
- 2 - Discharge Horizontal
- 3 - Discharge Axial

- 4 - Suction Vertical
- 5 - Suction Horizontal
- 6 - Suction Axial

# TRANE CVHC

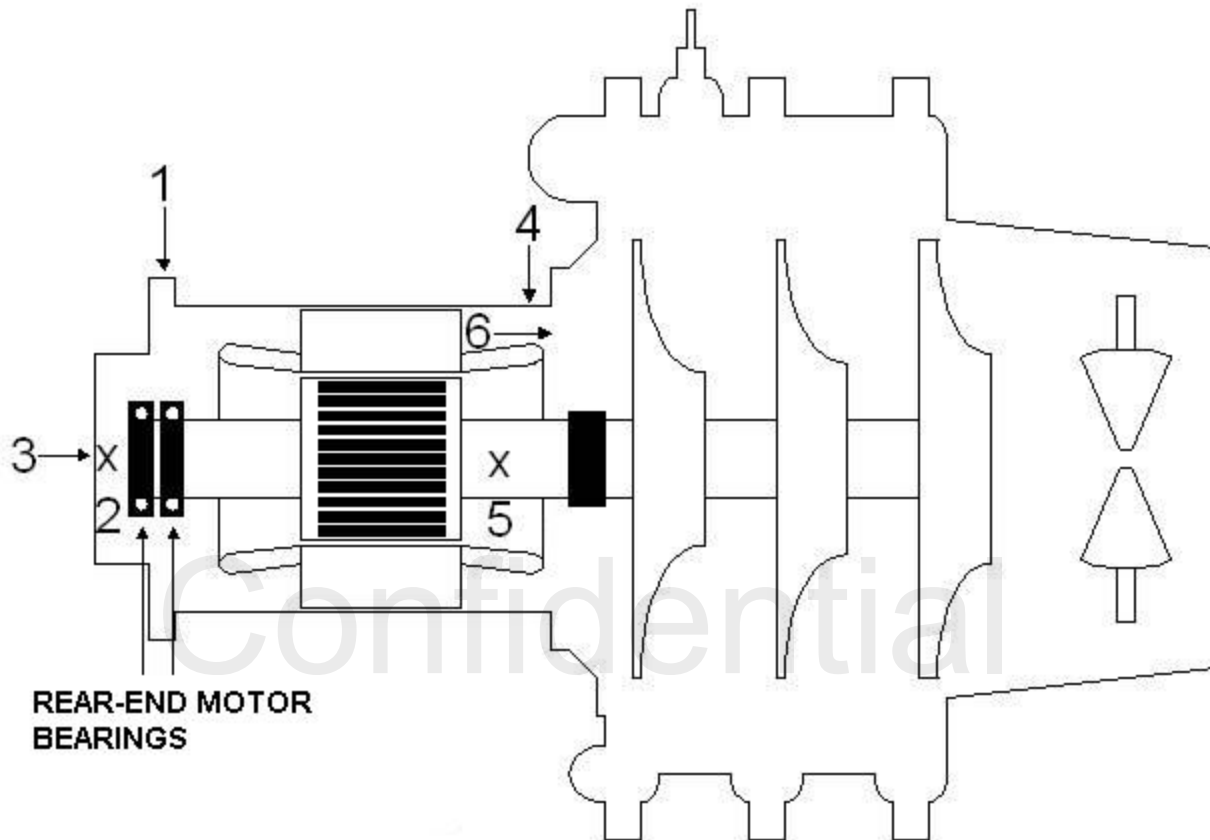


SIDE VIEW

## MEASUREMENT POINTS

- |                       |                            |
|-----------------------|----------------------------|
| 1 - Motor Vertical    | 7 - Com/Mo Vertical        |
| 2 - Motor Horizontal  | 8 - Com/Mo Horizontal      |
| 3 - Motor Axial       | 9 - Com/Mo Axial           |
| 4 - Mo/Com Vertical   | 10 - Compressor Vertical   |
| 5 - Mo/Com Horizontal | 11 - Compressor Horizontal |
| 6 - Mo/Com Axial      | 12 - Compressor Axial      |

# TRANE CVHE

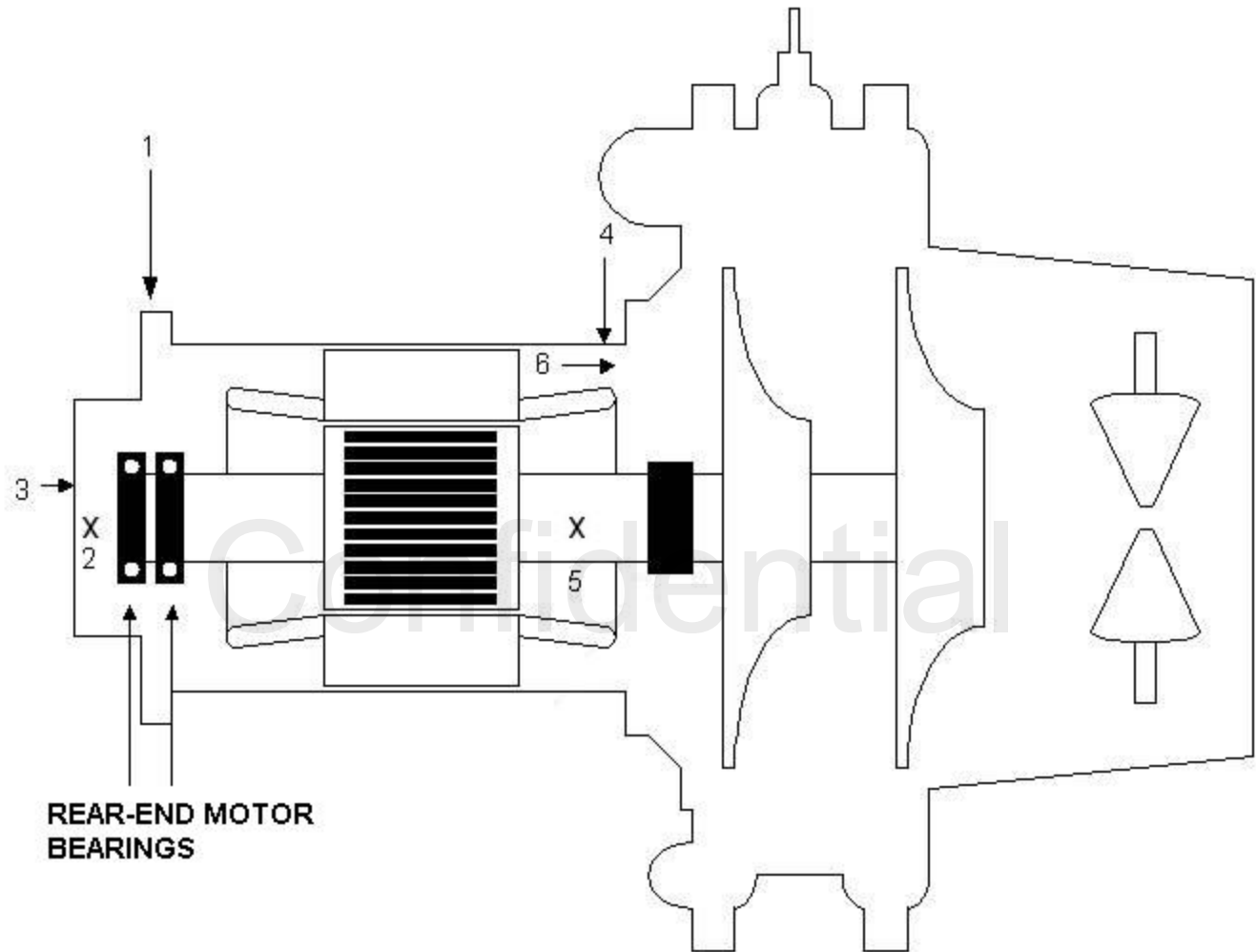


## MEASUREMENT POINTS

- 1 - Motor Vertical
- 2 - Motor Horizontal
- 3 - Motor Axial

- 4 - Compressor Vertical
- 5 - Compressor Horizontal
- 6 - Compressor Axial

# TRANE CVHF

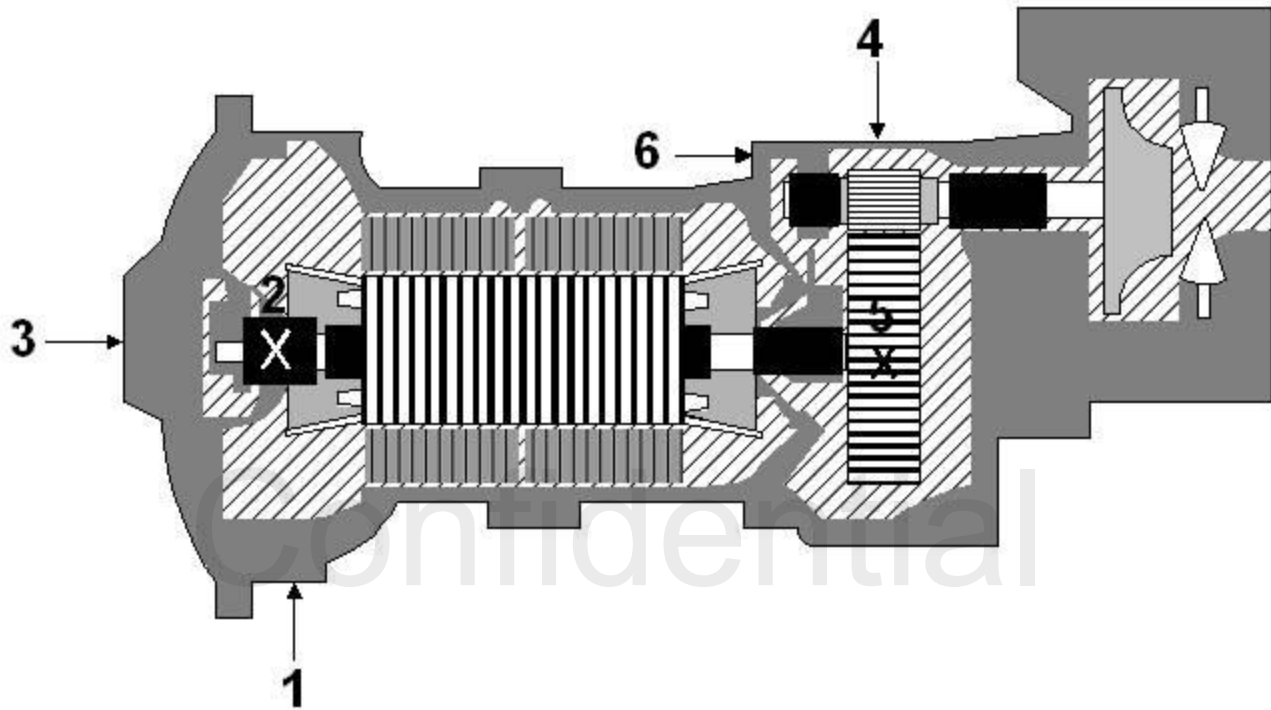


## MEASUREMENT POINTS

- 1 - Motor Vertical
- 2 - Motor Horizontal
- 3 - Motor Axial

- 4 - Compressor Vertical
- 5 - Compressor Horizontal
- 6 - Compressor Axial

# TRANE ECVAC



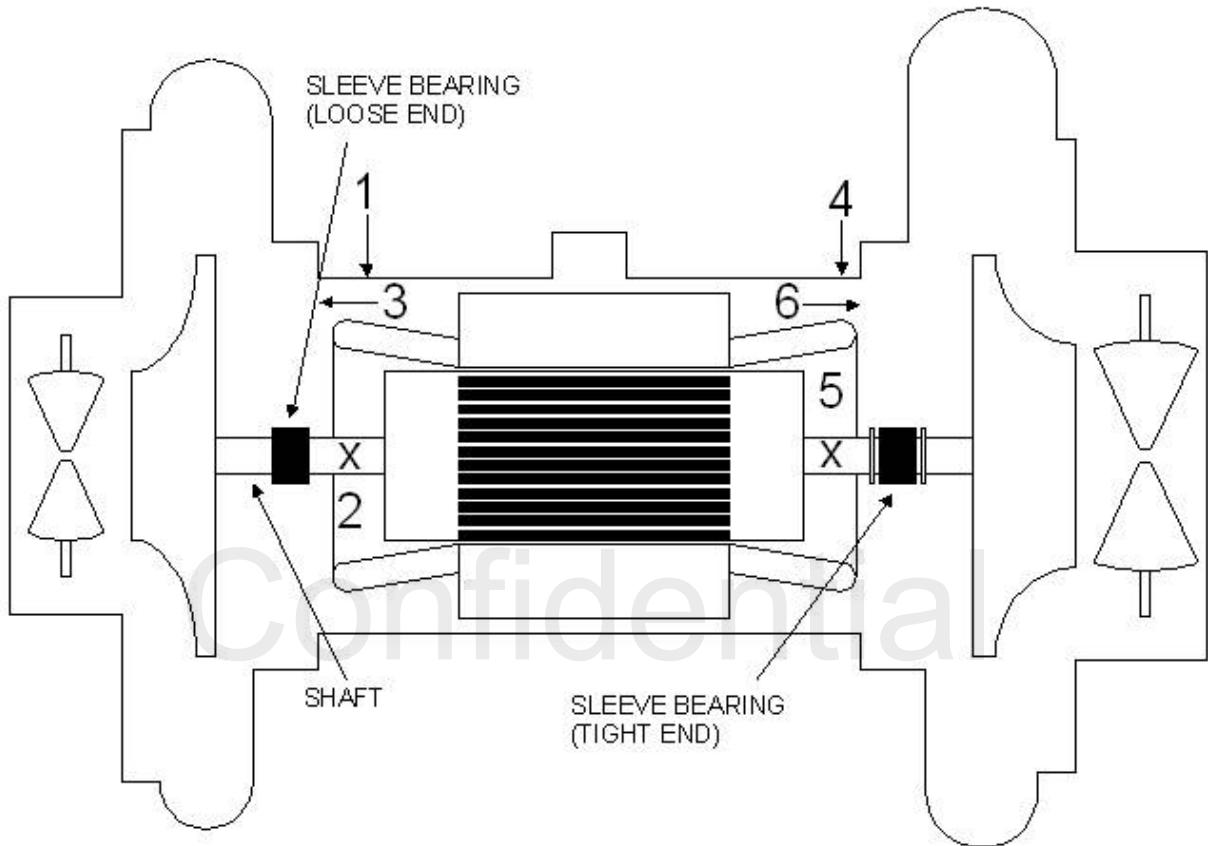
**\*SENSOR MOUNTING TABS REQUIRED**

## MEASUREMENT POINTS

1 - Motor Vertical  
2 - Motor Horizontal  
3 - Motor Axial

4 - Compressor Vertical  
5 - Compressor Horizontal  
6 - Compressor Axial

# TRANE HX

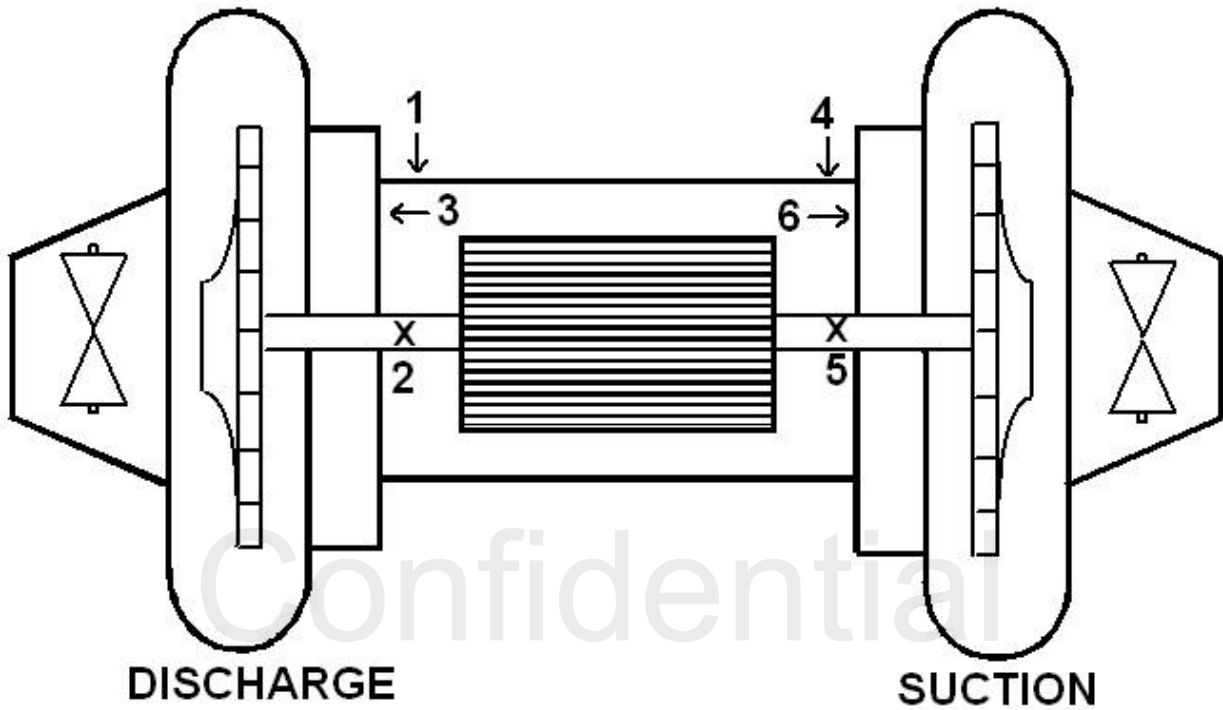


## MEASUREMENT POINTS

- 1 - Discharge Vertical
- 2 - Discharge Horizontal
- 3 - Discharge Axial

- 4 - Suction Vertical
- 5 - Suction Horizontal
- 6 - Suction Axial

# TRANE J

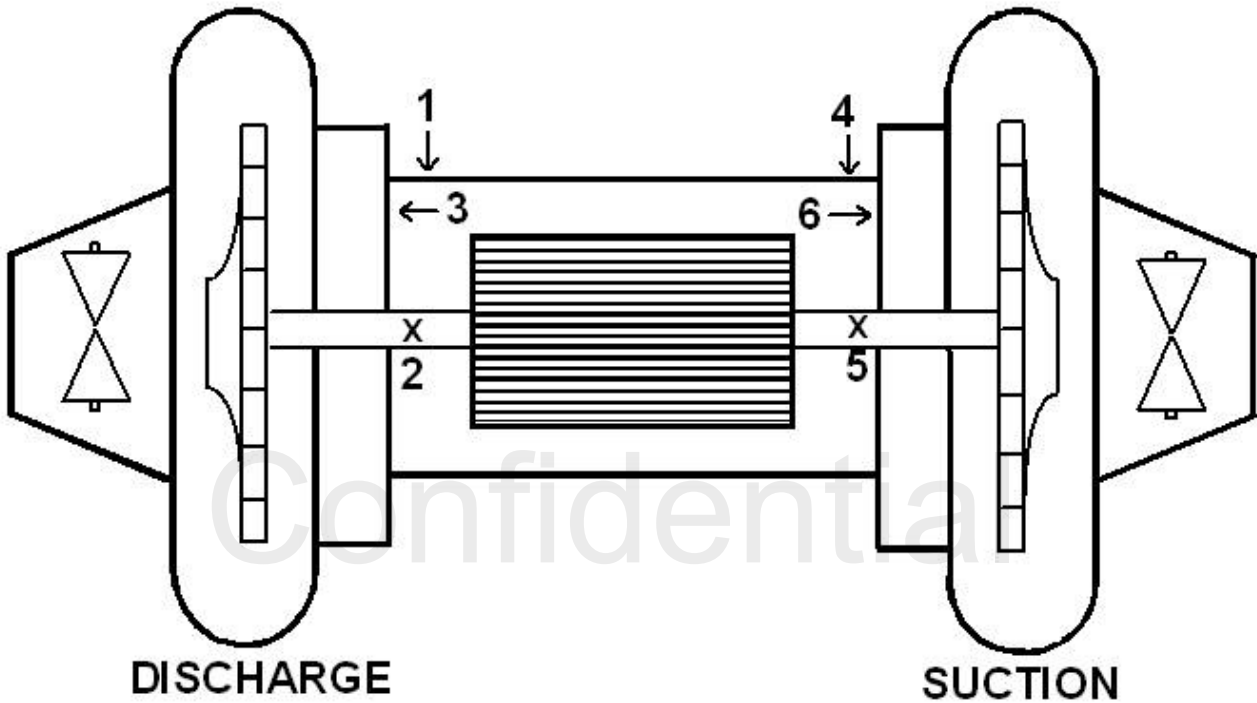


SIDE VIEW

## MEASUREMENT POINTS

- |                          |                        |
|--------------------------|------------------------|
| 1 - Discharge Vertical   | 4 - Suction Vertical   |
| 2 - Discharge Horizontal | 5 - Suction Horizontal |
| 3 - Discharge Axial      | 6 - Suction Axial      |

# TRANE K



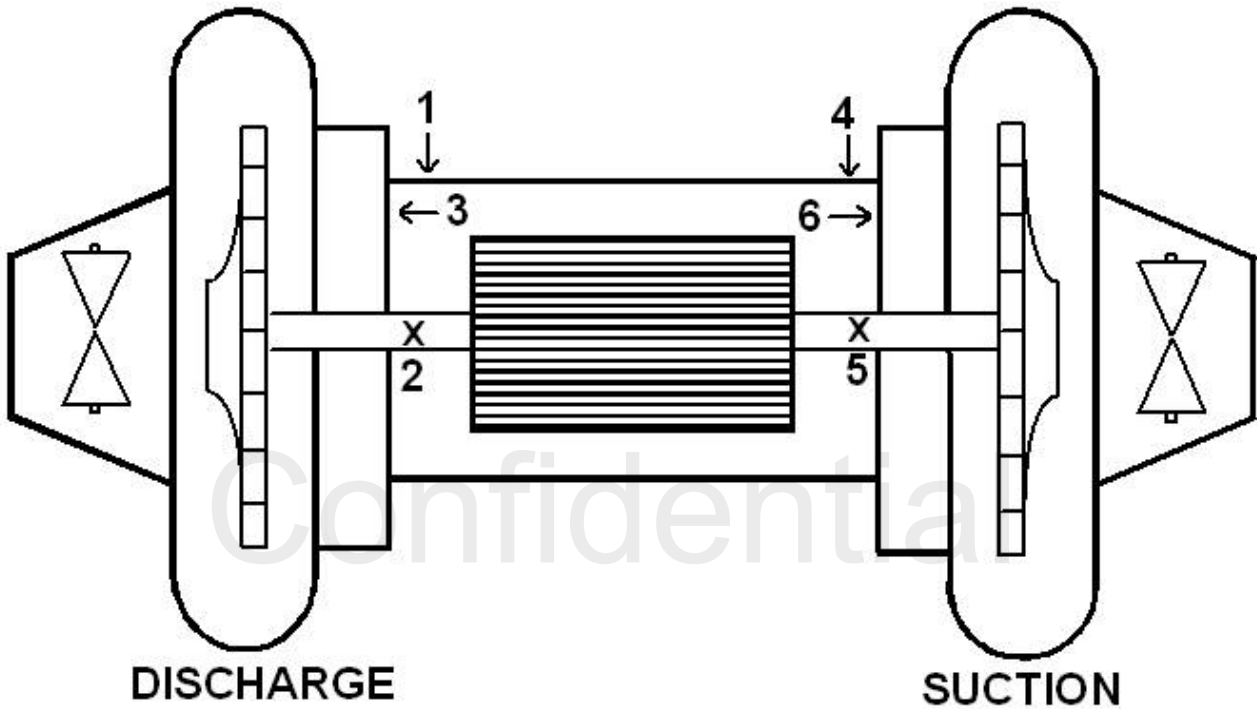
SIDE VIEW

## MEASUREMENT POINTS

- 1 - Discharge Vertical
- 2 - Discharge Horizontal
- 3 - Discharge Axial

- 4 - Suction Vertical
- 5 - Suction Horizontal
- 6 - Suction Axial

# TRANE KX



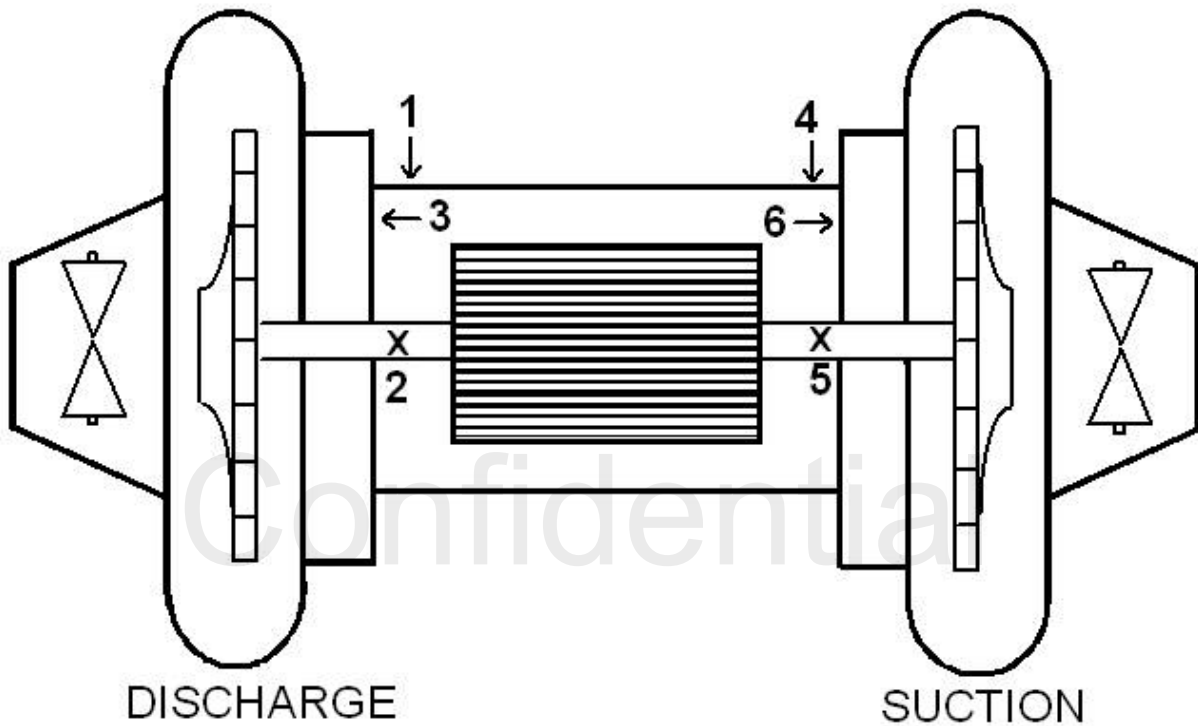
SIDE VIEW

## MEASUREMENT POINTS

- 1 - Discharge Vertical
- 2 - Discharge Horizontal
- 3 - Discharge Axial

- 4 - Suction Vertical
- 5 - Suction Horizontal
- 6 - Suction Axial

# TRANE LCV



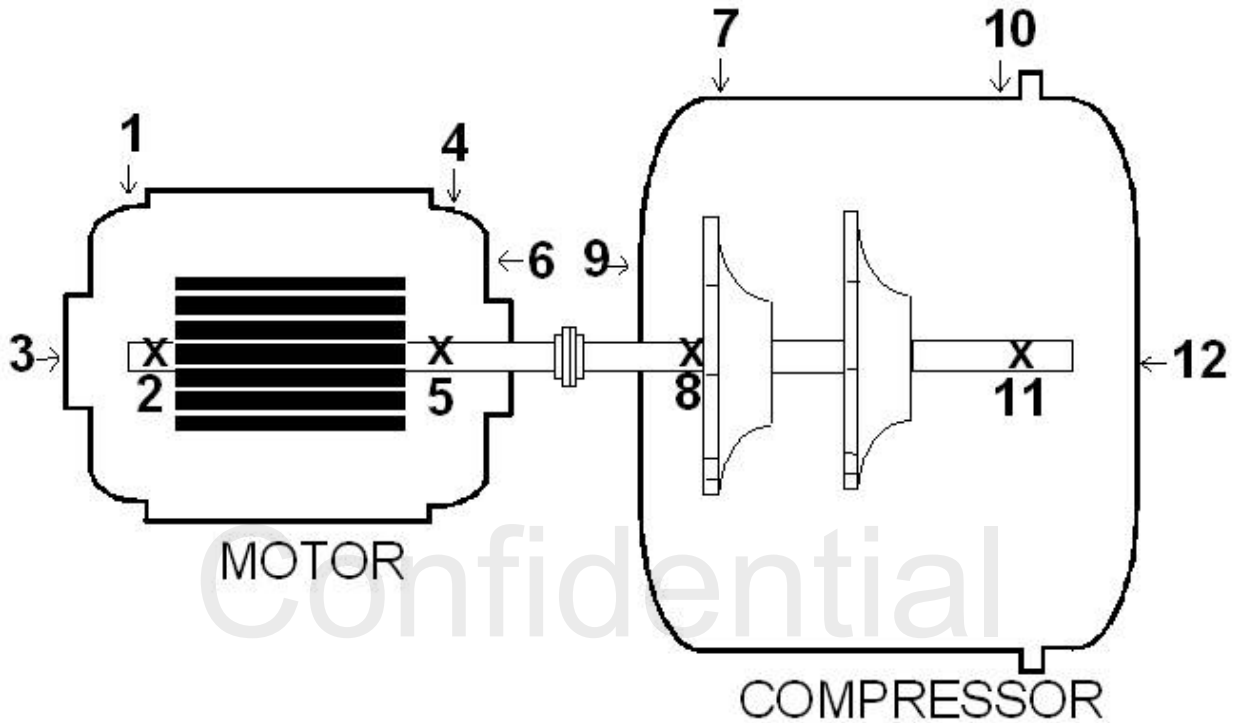
SIDE VIEW

## MEASUREMENT POINTS

- 1 - Motor Vertical
- 2 - Motor Horizontal
- 3 - Motor Axial

- 4 - Compressor Vertical
- 5 - Compressor Horizontal
- 6 - Compressor Axial

# TRANE LOCV

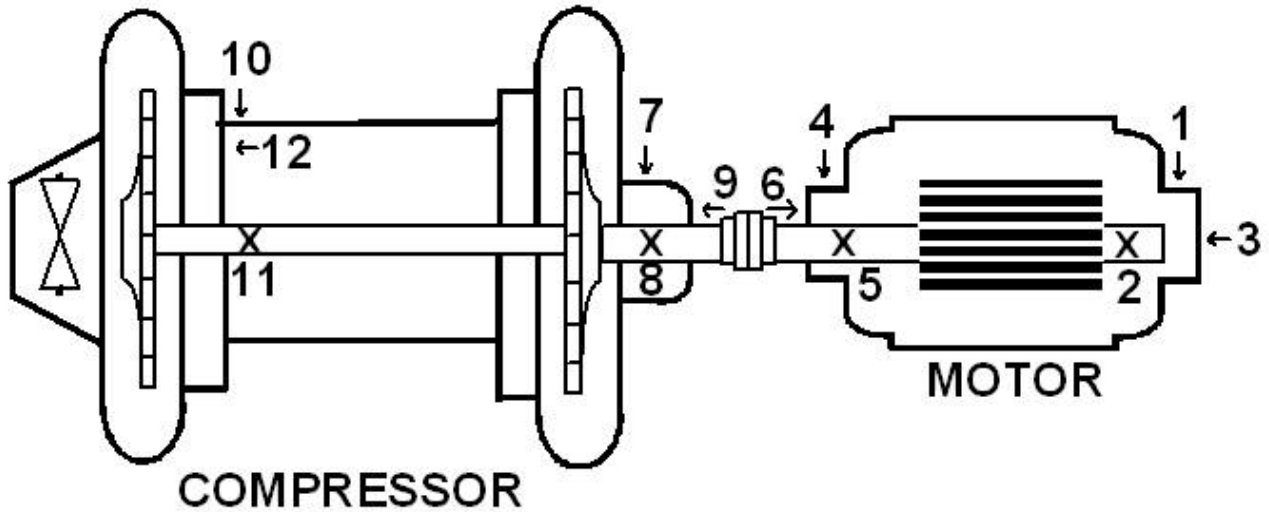


SIDE VIEW

## MEASUREMENT POINTS

- |                       |                            |
|-----------------------|----------------------------|
| 1 - Motor Vertical    | 7 - Com/Mo Vertical        |
| 2 - Motor Horizontal  | 8 - Com/Mo Horizontal      |
| 3 - Motor Axial       | 9 - Com/Mo Axial           |
| 4 - Mo/Com Vertical   | 10 - Compressor Vertical   |
| 5 - Mo/Com Horizontal | 11 - Compressor Horizontal |
| 6 - Mo/Com Axial      | 12 - Compressor Axial      |

# TRANE OCV

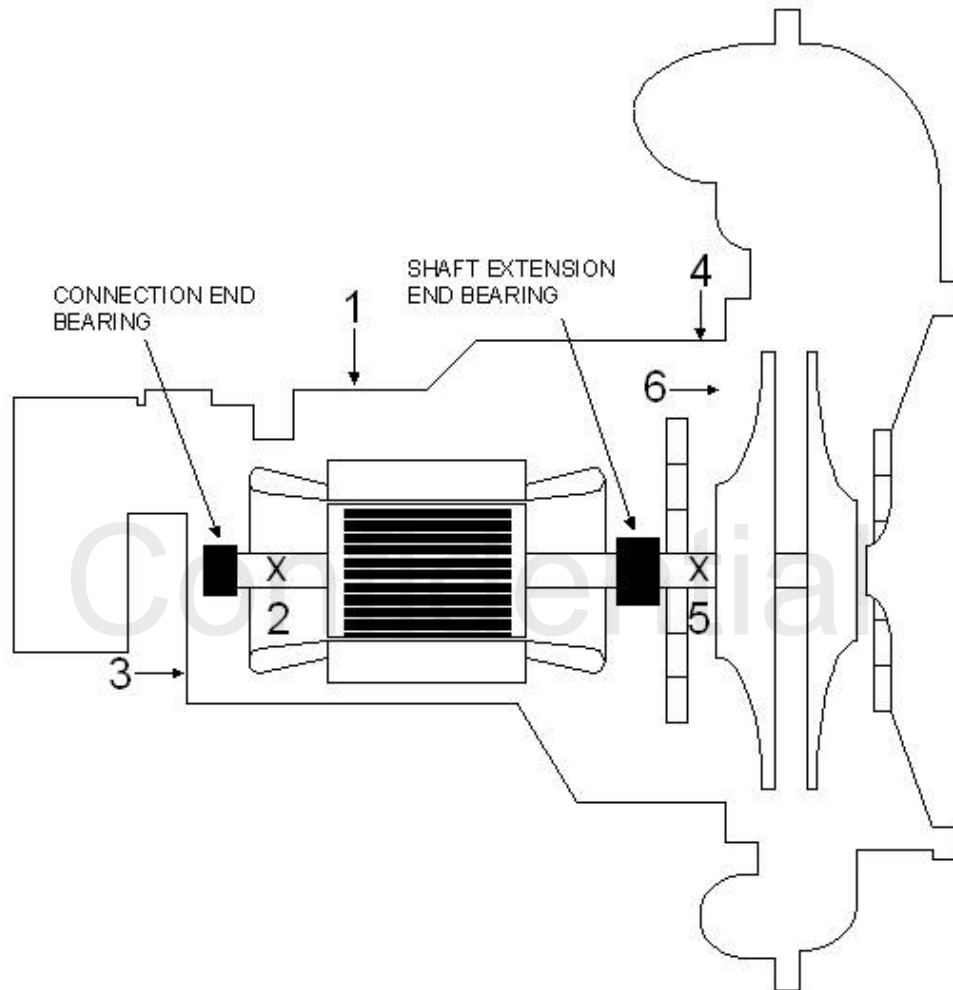


Confidential

## MEASUREMENT POINTS

- |                       |                            |
|-----------------------|----------------------------|
| 1 - Motor Vertical    | 7 - Com/Mo Vertical        |
| 2 - Motor Horizontal  | 8 - Com/Mo Horizontal      |
| 3 - Motor Axial       | 9 - Com/Mo Axial           |
| 4 - Mo/Com Vertical   | 10 - Compressor Vertical   |
| 5 - Mo/Com Horizontal | 11 - Compressor Horizontal |
| 6 - Mo/Com Axial      | 12 - Compressor Axial      |

# TRANE PCV

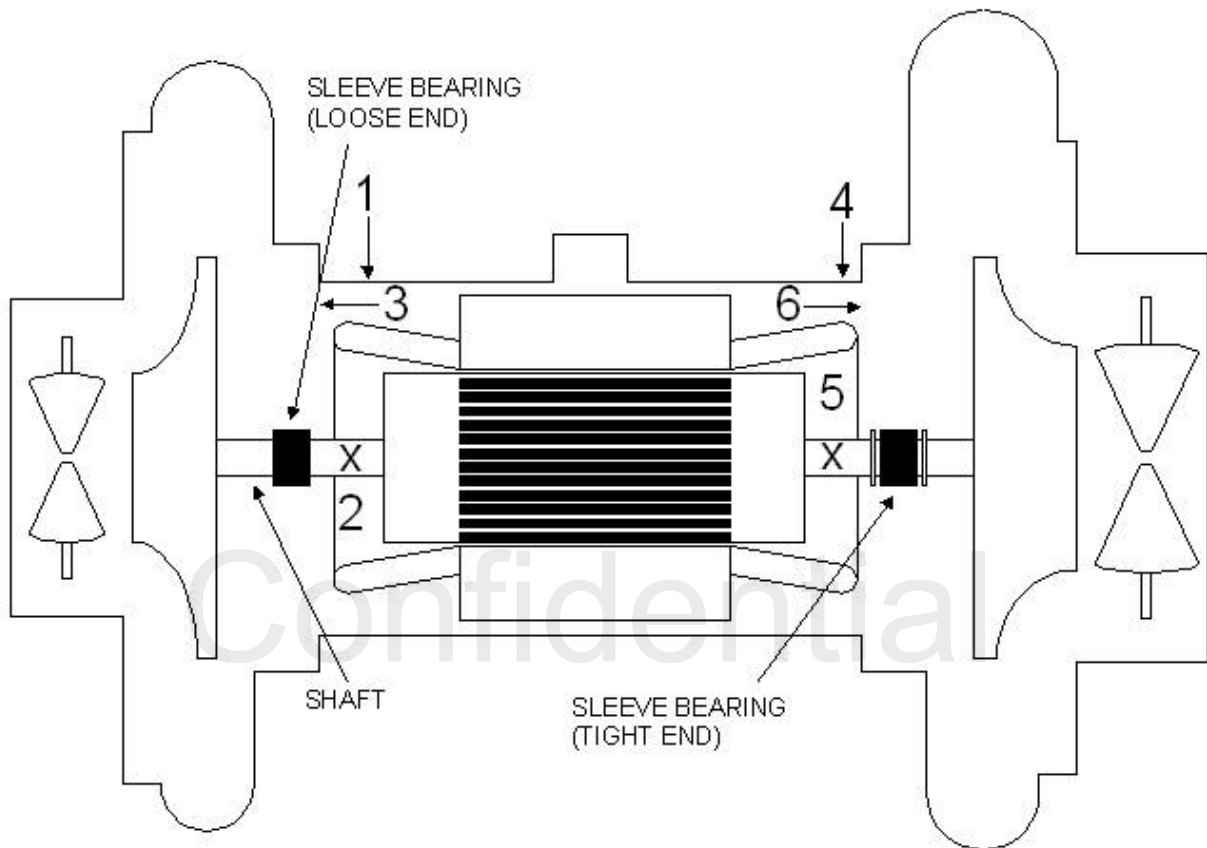


## MEASUREMENT POINTS

- 1 - Motor Vertical
- 2 - Motor Horizontal
- 3 - Motor Axial

- 4 - Compressor Vertical
- 5 - Compressor Horizontal
- 6 - Compressor Axial

# TRANE PCV

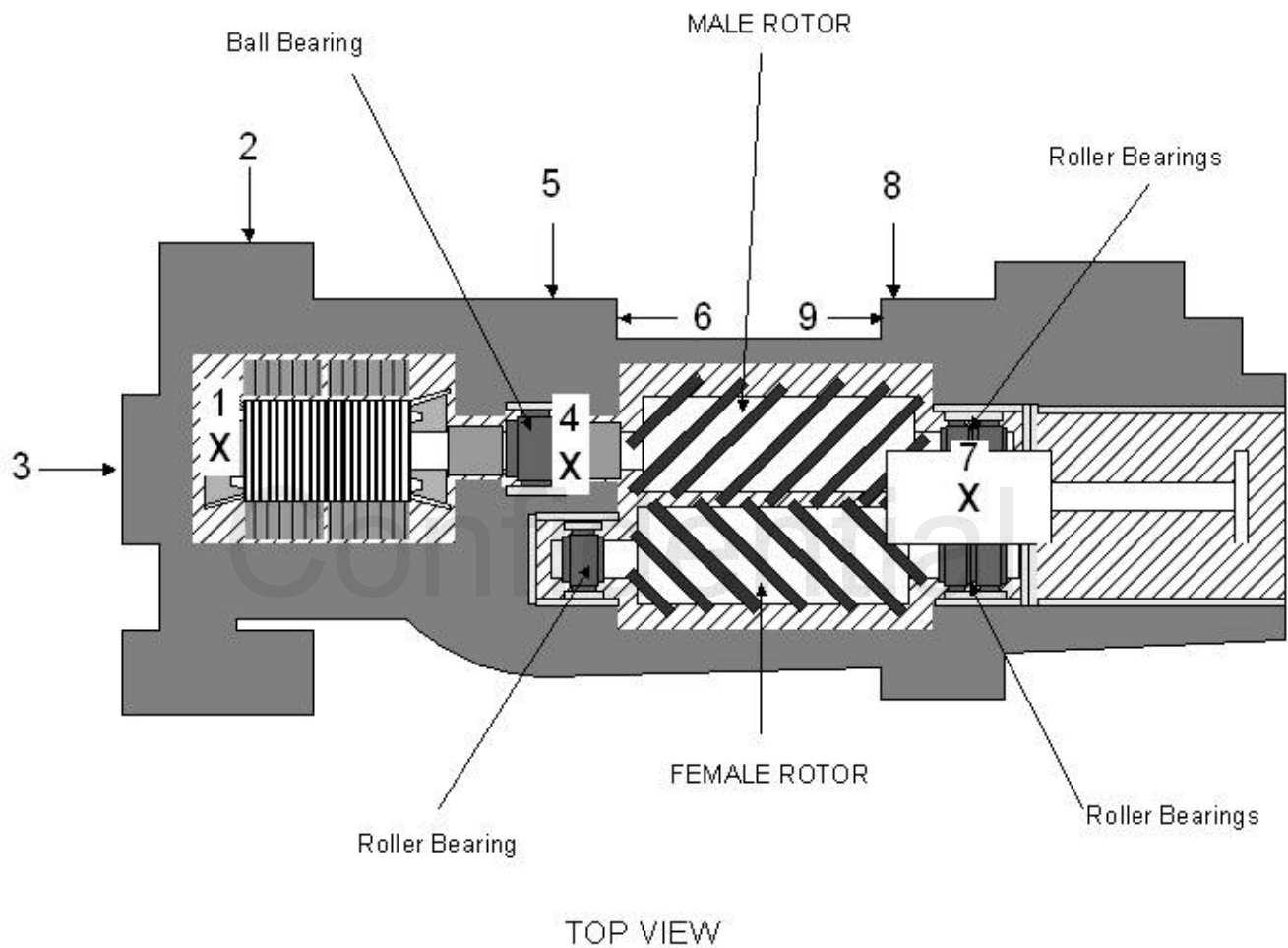


## MEASUREMENT POINTS

- 1 - Discharge Vertical
- 2 - Discharge Horizontal
- 3 - Discharge Axial

- 4 - Suction Vertical
- 5 - Suction Horizontal
- 6 - Suction Axial

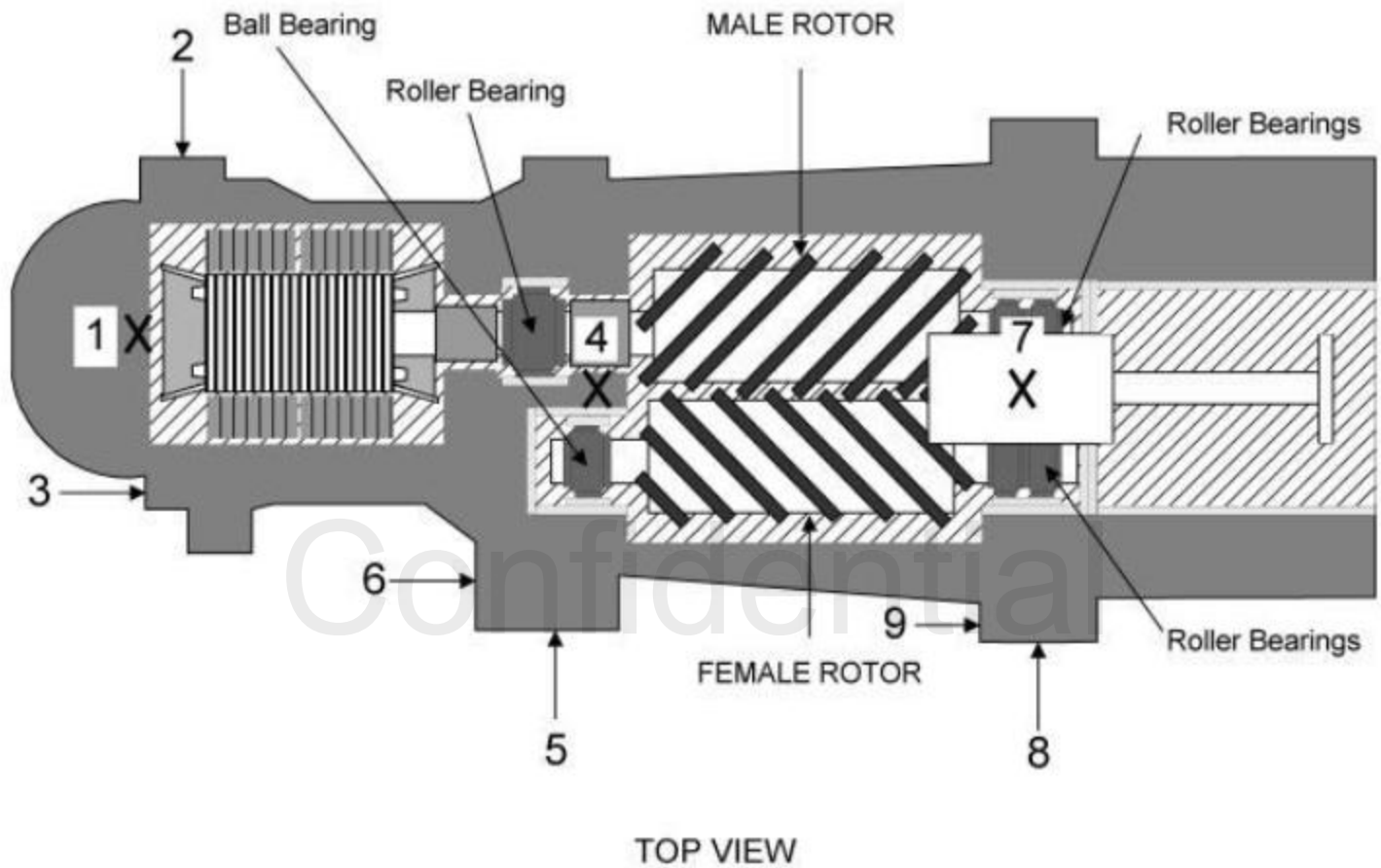
# TRANE RTAA



## MEASUREMENT POINTS

- |                      |                           |
|----------------------|---------------------------|
| 1 - Motor Vertical   | 6 - Mocom Axial           |
| 2 - Motor Horizontal | 7 - Compressor Vertical   |
| 3 - Motor Axial      | 8 - Compressor Horizontal |
| 4 - Mocom Vertical   | 9 - Compressor Axial      |
| 5 - Mocom Horizontal |                           |

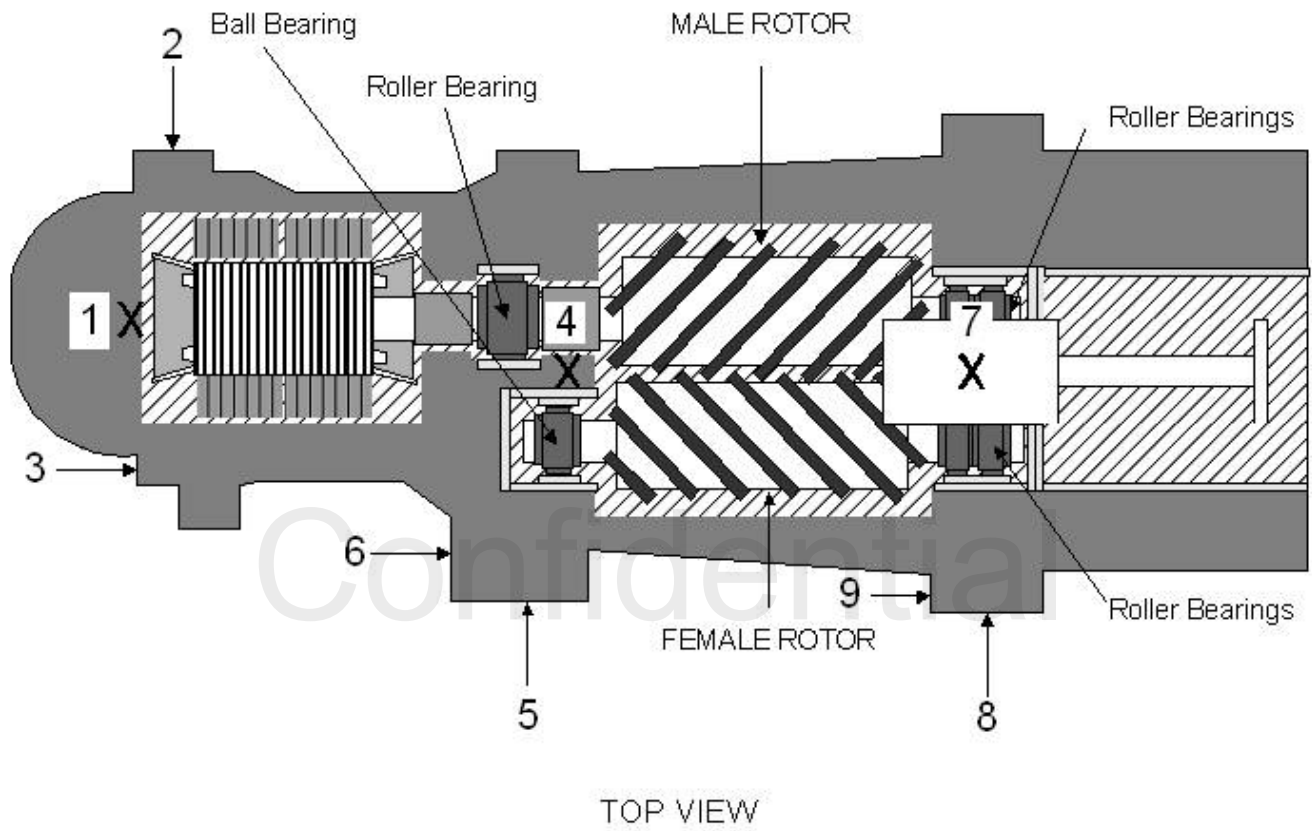
# TRANE RGHB



## MEASUREMENT POINTS

- |                      |                           |
|----------------------|---------------------------|
| 1 - Motor Vertical   | 6 - Mocom Axial           |
| 2 - Motor Horizontal | 7 - Compressor Vertical   |
| 3 - Motor Axial      | 8 - Compressor Horizontal |
| 4 - Mocom Vertical   | 9 - Compressor Axial      |
| 5 - Mocom Horizontal |                           |

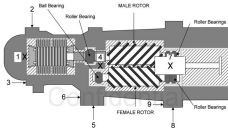
# TRANE RTHA



## MEASUREMENT POINTS

- |                      |                           |
|----------------------|---------------------------|
| 1 - Motor Vertical   | 6 - Mocom Axial           |
| 2 - Motor Horizontal | 7 - Compressor Vertical   |
| 3 - Motor Axial      | 8 - Compressor Horizontal |
| 4 - Mocom Vertical   | 9 - Compressor Axial      |
| 5 - Mocom Horizontal |                           |

# TRANE RTHB



TOP VIEW

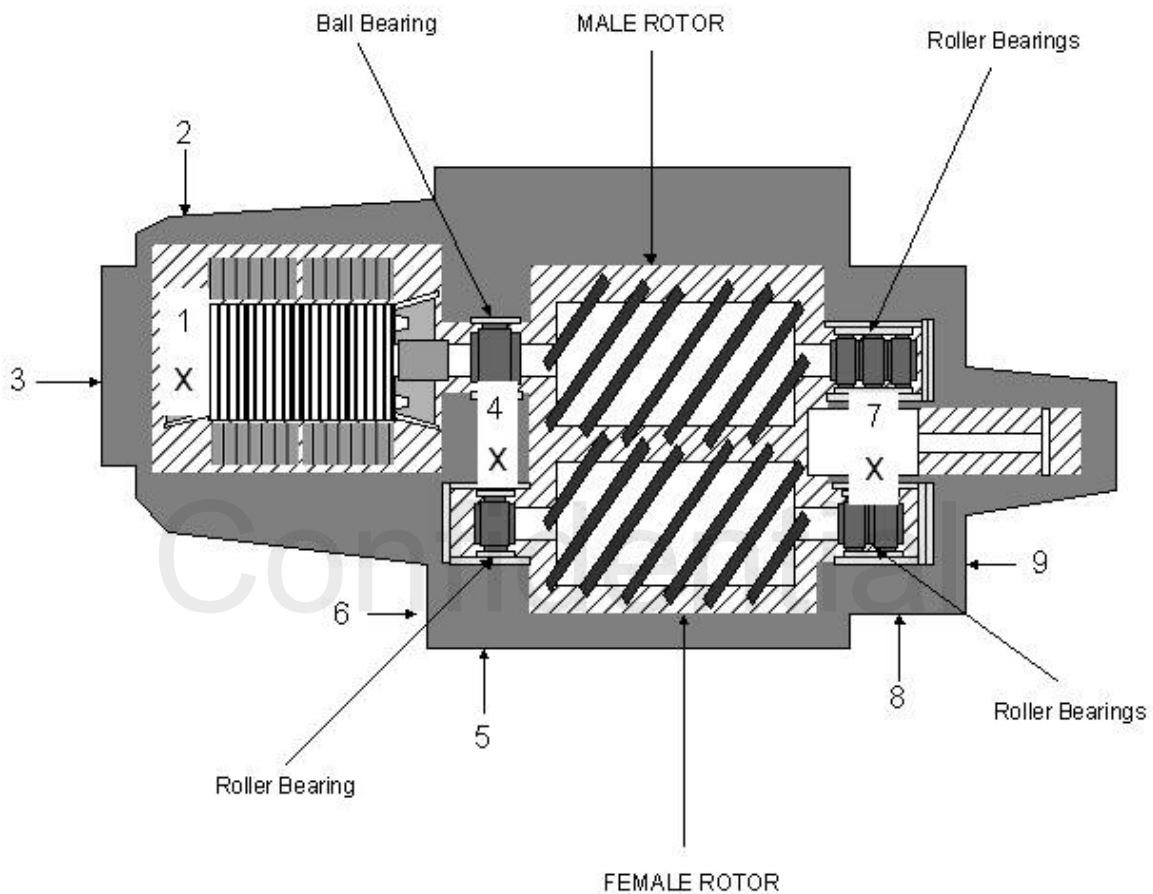
## MEASUREMENT POINTS

Controls For internal use Only

- 2 - Motor Horizontal
- 3 - Motor Axial
- 4 - Mocom Vertical
- 5 - Mocom Horizontal

- 7 - Compressor Vertical
- 8 - Compressor Horizontal
- 9 - Compressor Axial

# TRANE RTHC

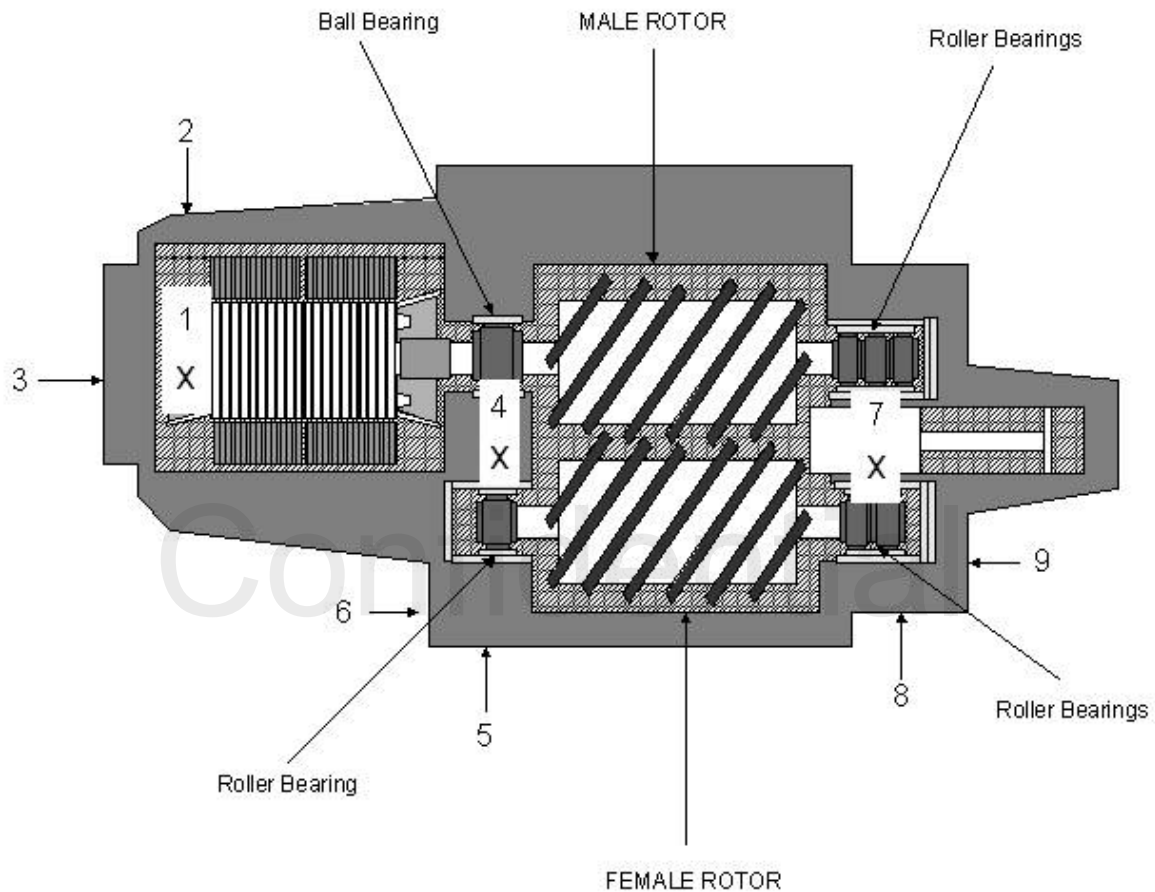


TOP VIEW

## MEASUREMENT POINTS

- |                      |                           |
|----------------------|---------------------------|
| 1 - Motor Vertical   | 6 - Mocom Axial           |
| 2 - Motor Horizontal | 7 - Compressor Vertical   |
| 3 - Motor Axial      | 8 - Compressor Horizontal |
| 4 - Mocom Vertical   | 9 - Compressor Axial      |
| 5 - Mocom Horizontal |                           |

# TRANE RTHD



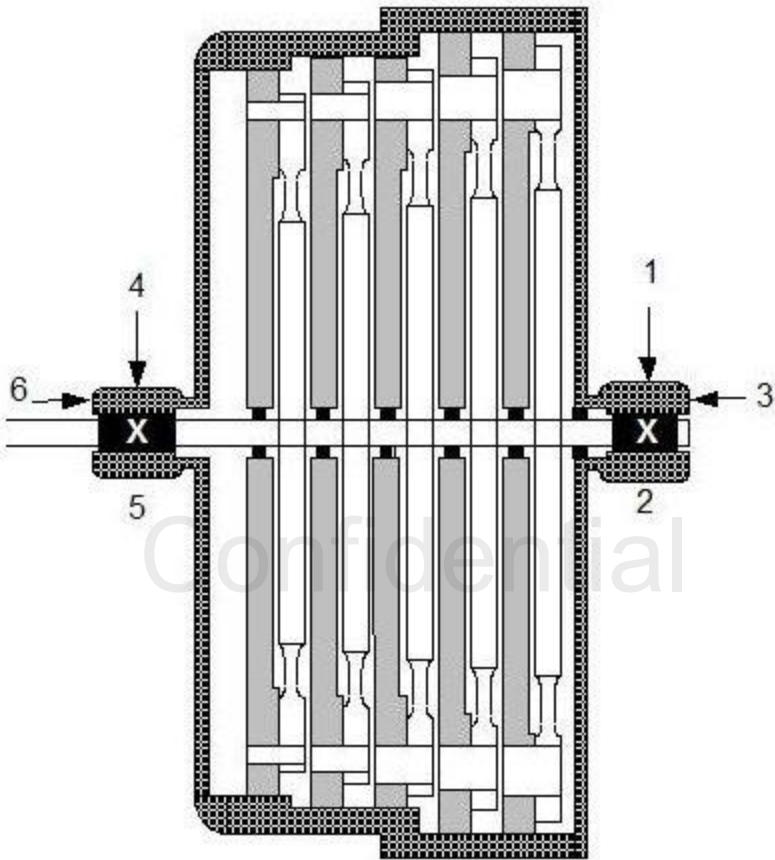
TOP VIEW

## MEASUREMENT POINTS

- 1 - Motor Vertical
- 2 - Motor Horizontal
- 3 - Motor Axial
- 4 - Mocom Vertical
- 5 - Mocom Horizontal

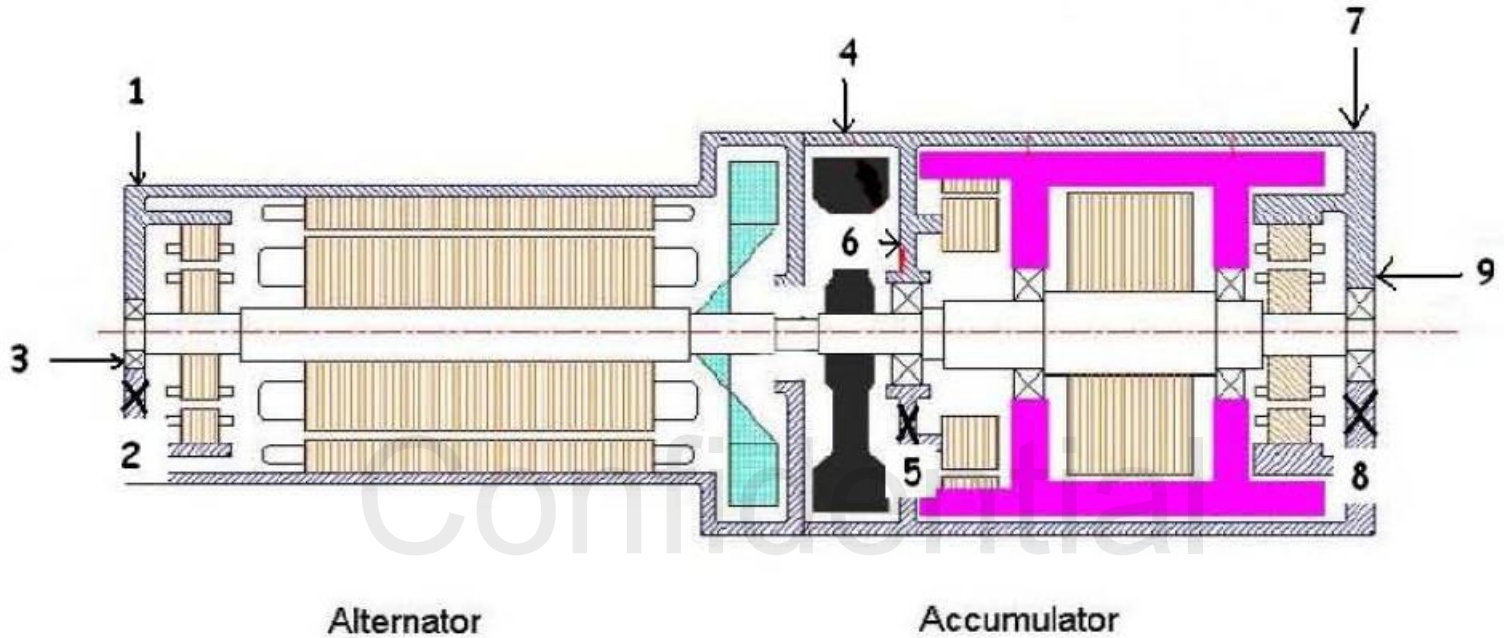
- 6 - Mocom Axial
- 7 - Compressor Vertical
- 8 - Compressor Horizontal
- 9 - Compressor Axial

# Turbine



- 1 - Turbine Off-end Vertical
- 2 - Turbine Off-end Horizontal
- 3 - Turbine Off-end Axial
- 4 - Turbine Drive-end Vertical
- 5 - Turbine Drive-end Horizontal
- 6 - Turbine Drive-end Axial

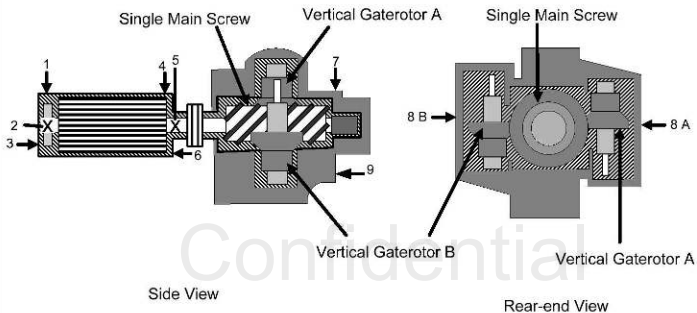
# UPS Unit



- 1. Alternator Vertical
- 2. Alternator Horizontal
- 3. Alternator Axial
- 4. Flywheel Vertical
- 5. Flywheel Horizontal
- 6. Flywheel Axial

- 7. Accumulator Vertical
- 8. Accumulator Horizontal
- 9. Accumulator Axial

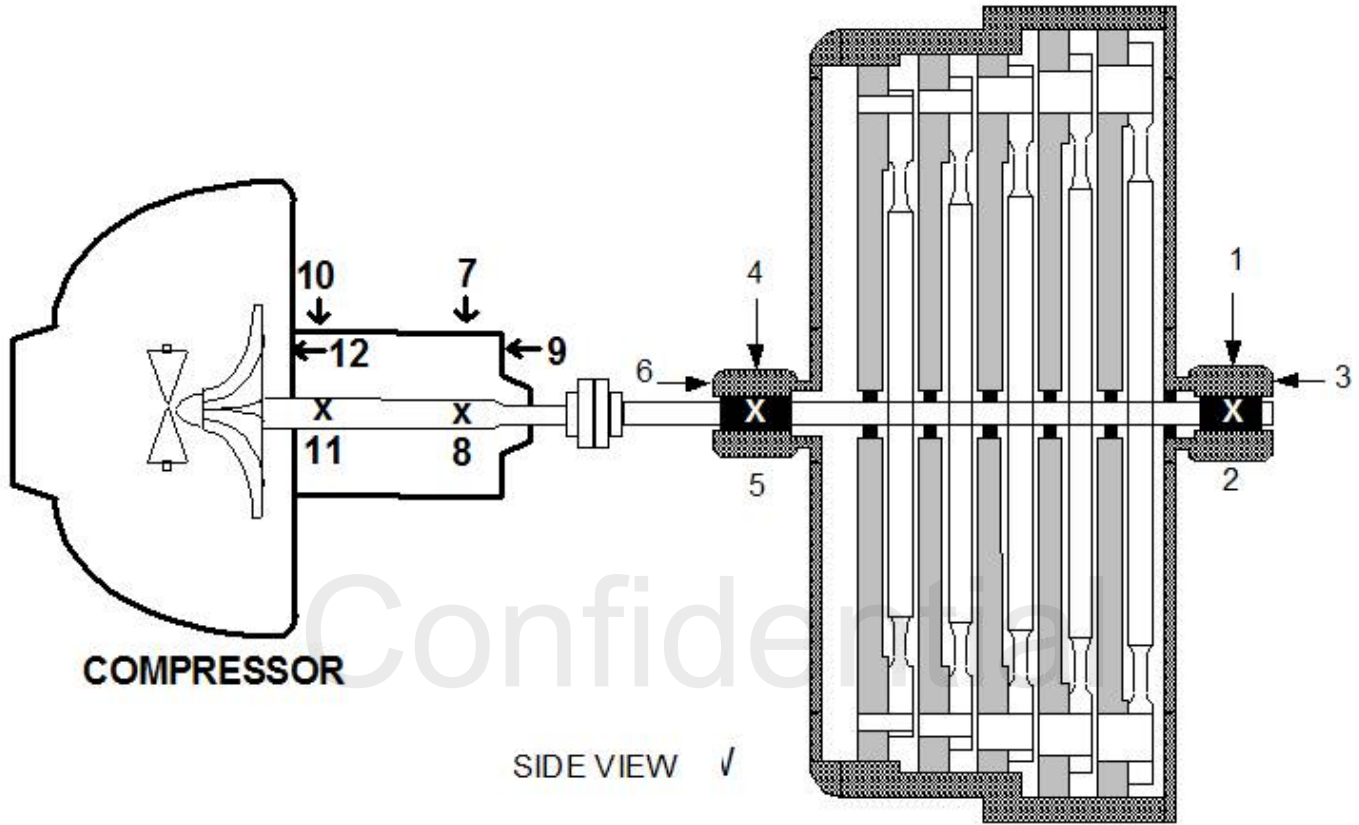
# Vilter VSS901



## MEASUREMENT POINTS

- |                      |                               |
|----------------------|-------------------------------|
| 1 - Motor Vertical   | 6 - Mocom Axial               |
| 2 - Motor Horizontal | 7 - Compressor Vertical       |
| 3 - Motor Axial      | 8 A - Compressor Horizontal A |
| 4 - Mocom Vertical   | 8 B - Compressor Horizontal B |
| 5 - Mocom Horizontal | 9 - Compressor Axial          |

# Worthington 52EH



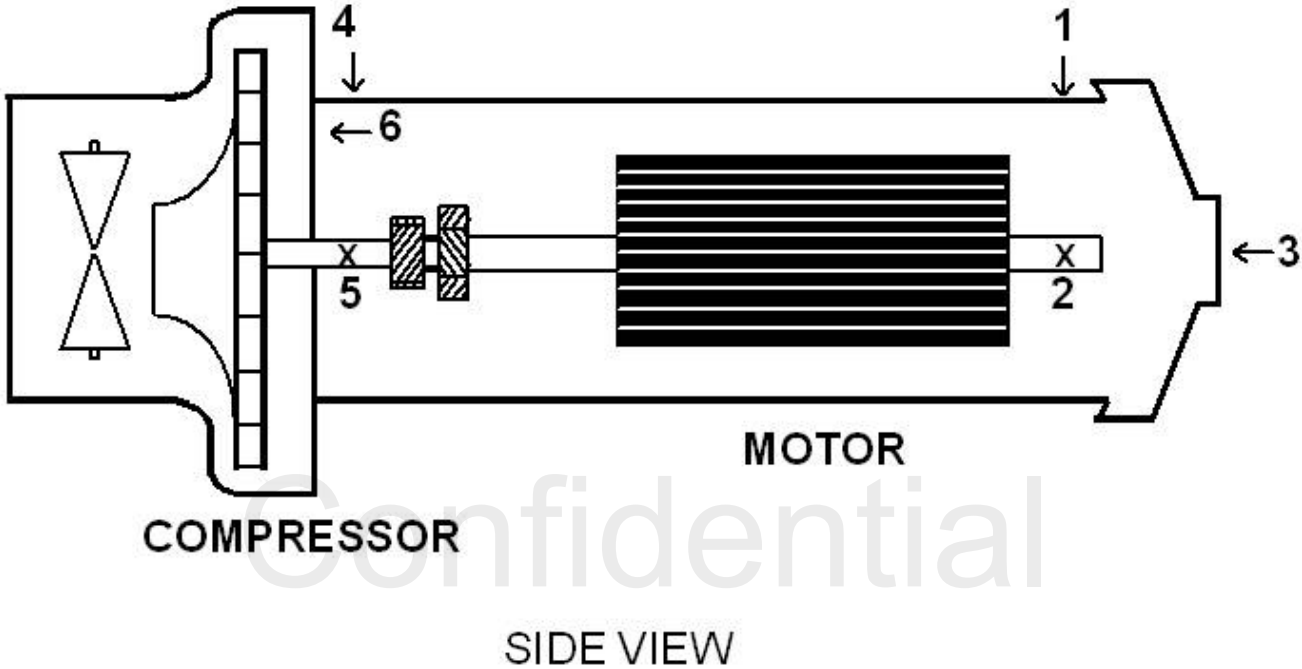
COMPRESSOR

SIDE VIEW ✓

## MEASUREMENT POINTS

- |                                  |                                      |
|----------------------------------|--------------------------------------|
| 1 - Turbine Off-end Vertical     | 7 - Compressor In-board Vertical     |
| 2 - Turbine Off-end Horizontal   | 8 - Compressor In-board Horizontal   |
| 3 - Turbine Off-end Axial        | 9 - Compressor in-board Axial        |
| 4 - Turbine Drive-end Vertical   | 10 - Compressor Out-board Vertical   |
| 5 - Turbine Drive-end Horizontal | 11 - Compressor Out-board Horizontal |
| 6 - Turbine Drive-end Axial      | 12 - Compressor Out-board Axial      |

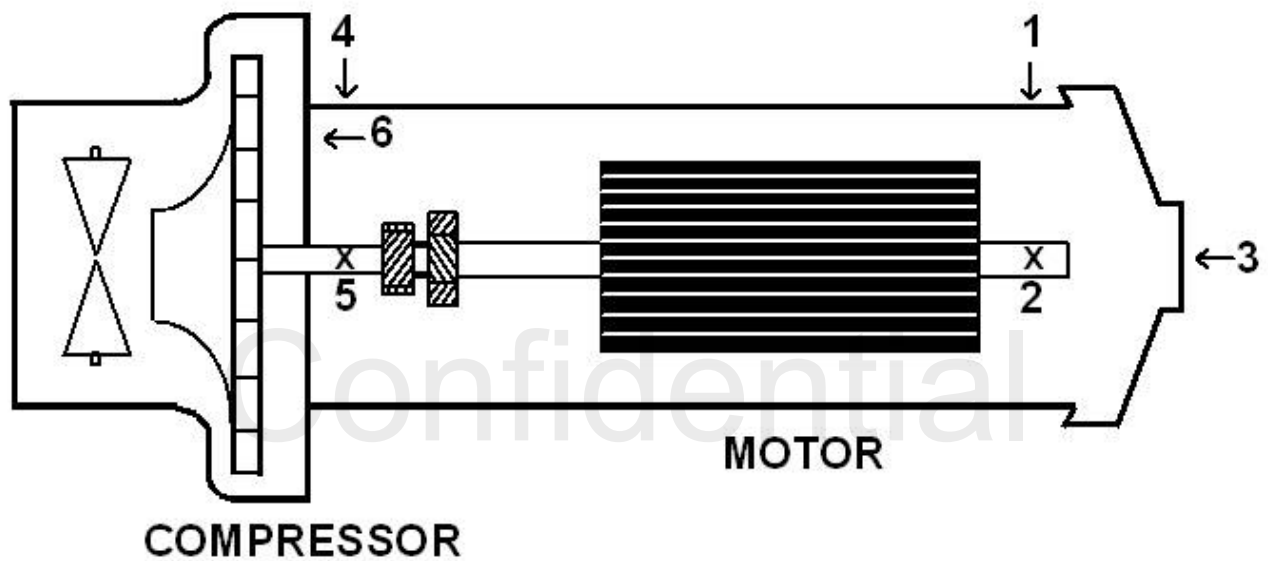
# WORTHINGTON HC



## MEASUREMENT POINTS

- |                      |                           |
|----------------------|---------------------------|
| 1 - Motor Vertical   | 4 - Compressor Vertical   |
| 2 - Motor Horizontal | 5 - Compressor Horizontal |
| 3 - Motor Axial      | 6 - Compressor Axial      |

# WORTHINGTON HE

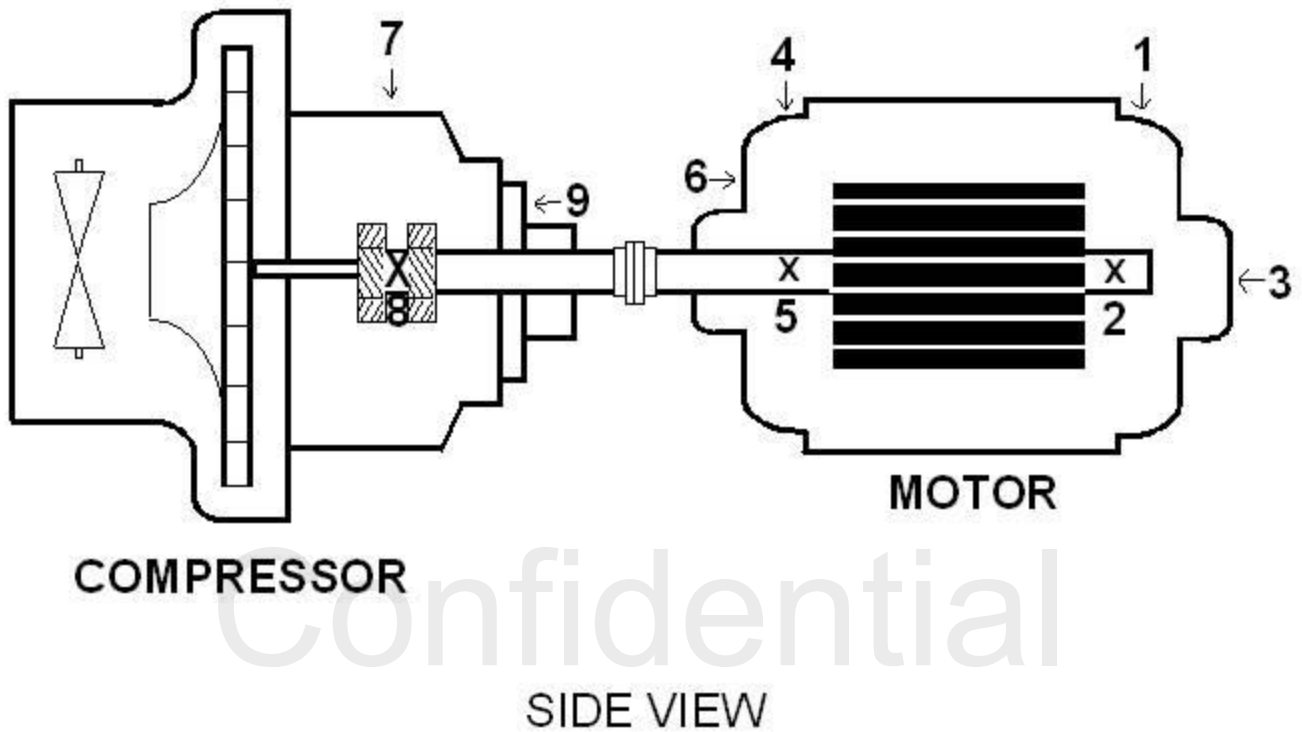


SIDE VIEW

## MEASUREMENT POINTS

- |                      |                           |
|----------------------|---------------------------|
| 1 - Motor Vertical   | 4 - Compressor Vertical   |
| 2 - Motor Horizontal | 5 - Compressor Horizontal |
| 3 - Motor Axial      | 6 - Compressor Axial      |

# WORTHINGTON NC

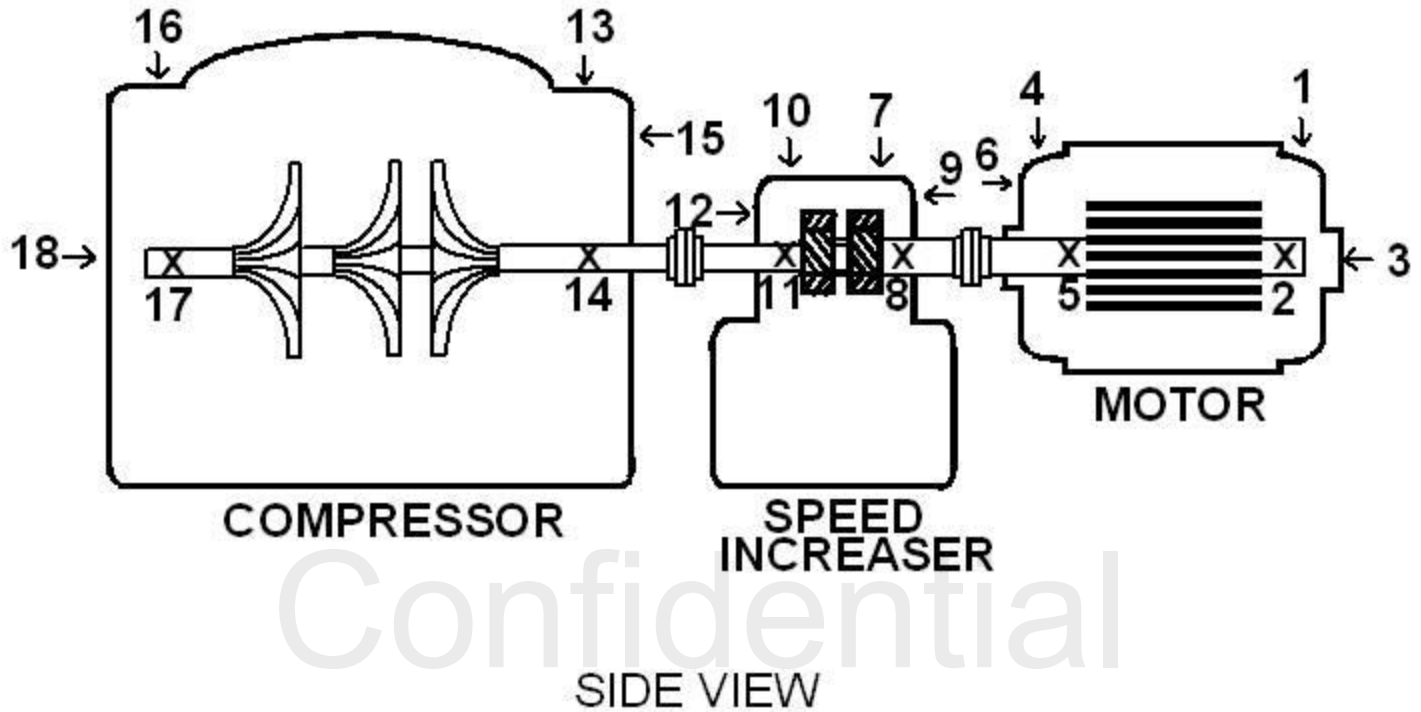


**\*SENSOR MOUNTING TABS REQUIRED**

## MEASUREMENT POINTS

- |                       |                           |
|-----------------------|---------------------------|
| 1 - Motor Vertical    | 6 - Mo/Com Axial          |
| 2 - Motor Horizontal  | 7 - Compressor Vertical   |
| 3 - Motor Axial       | 8 - Compressor Horizontal |
| 4 - Mo/Com Vertical   | 9 - Compressor Axial      |
| 5 - Mo/Com Horizontal |                           |

# WORTHINGTON 75C

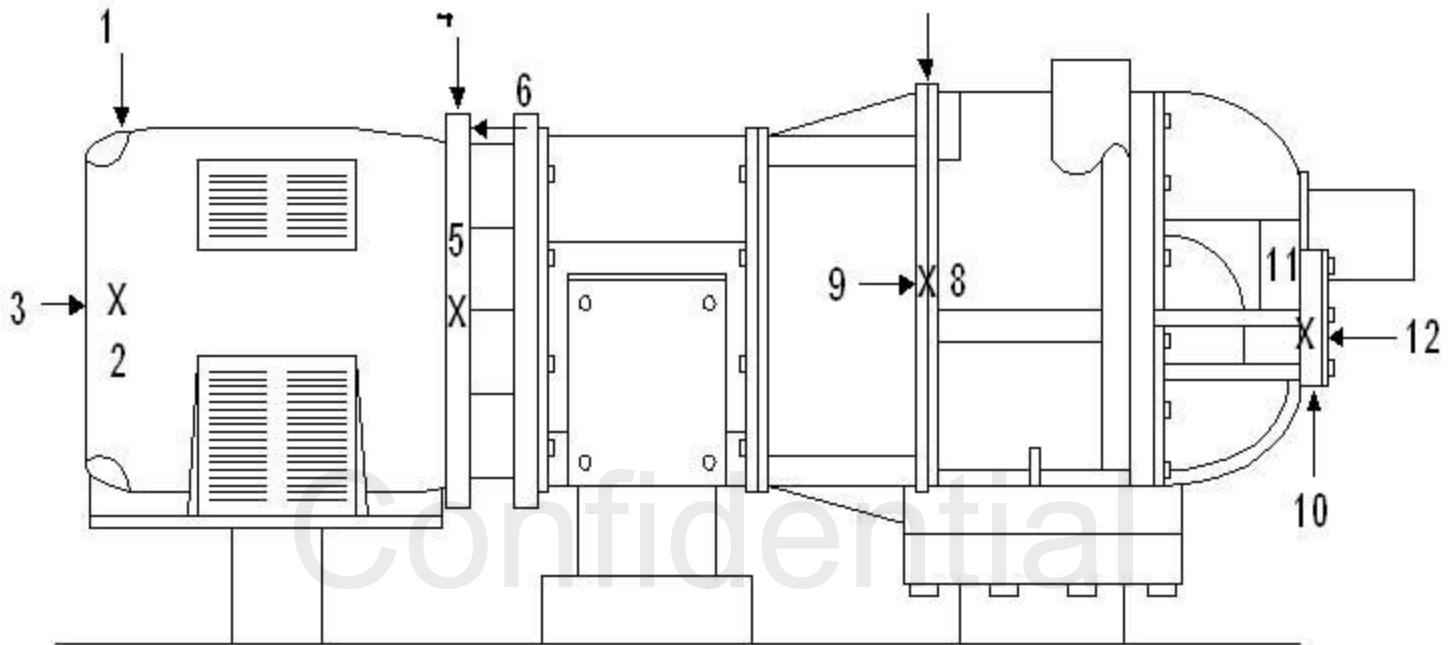


**\*SENSOR MOUNTING TABS REQUIRED**

## MEASUREMENT POINTS

- |                         |                            |
|-------------------------|----------------------------|
| 1 - Motor Vertical      | 10 - Si/Compr Vertical     |
| 2 - Motor Horizontal    | 11 - Si/Compr Horizontal   |
| 3 - Motor Axial         | 12 - Si/Compr Axial        |
| 4 - Motor/Si Vertical   | 13 - Compr/Si Vertical     |
| 5 - Motor/Si Horizontal | 14 - Compr/Si Horizontal   |
| 6 - Motor/Si Axial      | 15 - Compr/Si Axial        |
| 7 - Si/Motor Vertical   | 16 - Compressor Vertical   |
| 8 - Si/Motor Horizontal | 17 - Compressor Horizontal |
| 9 - Si/Motor Axial      | 18 - Compressor Axial      |

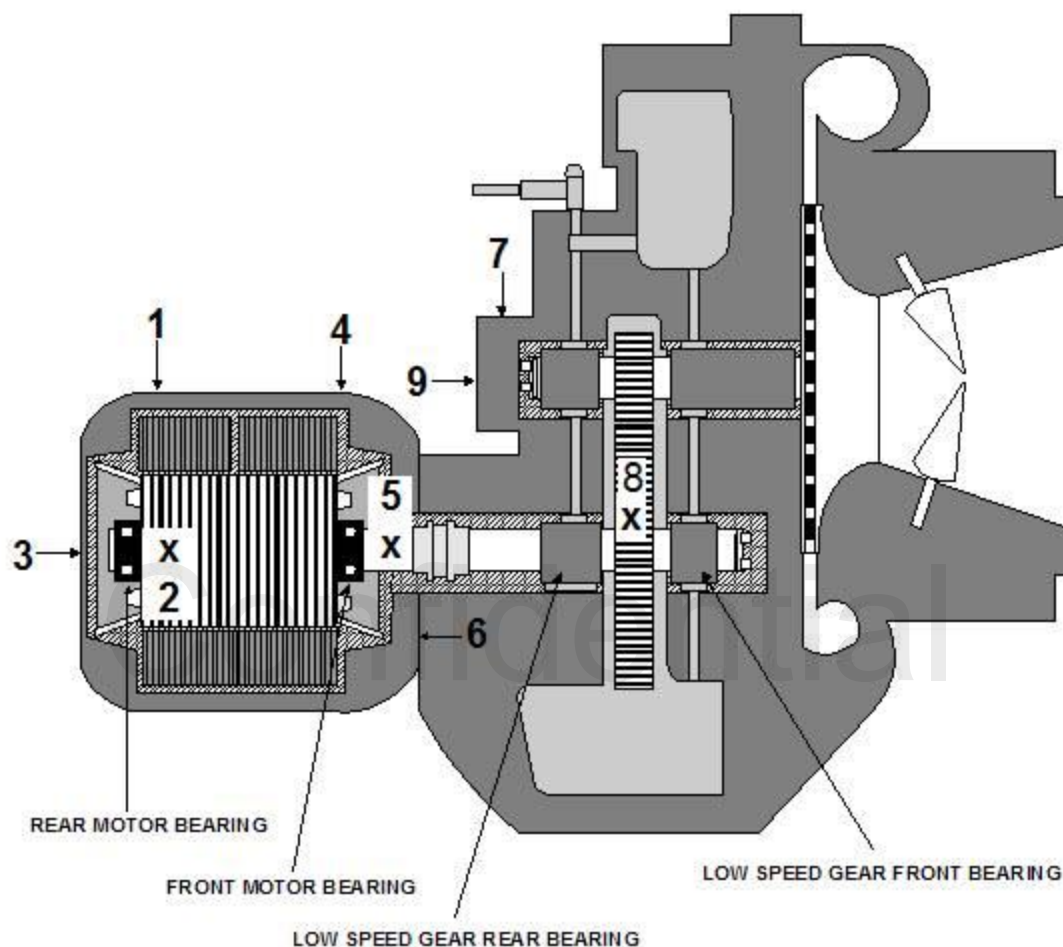
# YCCH



## MEASUREMENT POINTS

- |                      |                       |
|----------------------|-----------------------|
| 1 - MOTOF Vertical   | 7 - COMIB Vertical    |
| 2 - MOTOF Horizontal | 8 - COMIB Horizontal  |
| 3 - MOTOF Axial      | 9 - COMIB Axial       |
| 4 - MOTDR Vertical   | 10 - COMOB Vertical   |
| 5 - MOTDR Horizontal | 11 - COMOB Horizontal |
| 6 - MOTDR Axial      | 12 - COMOB Axial      |

# YORK HG

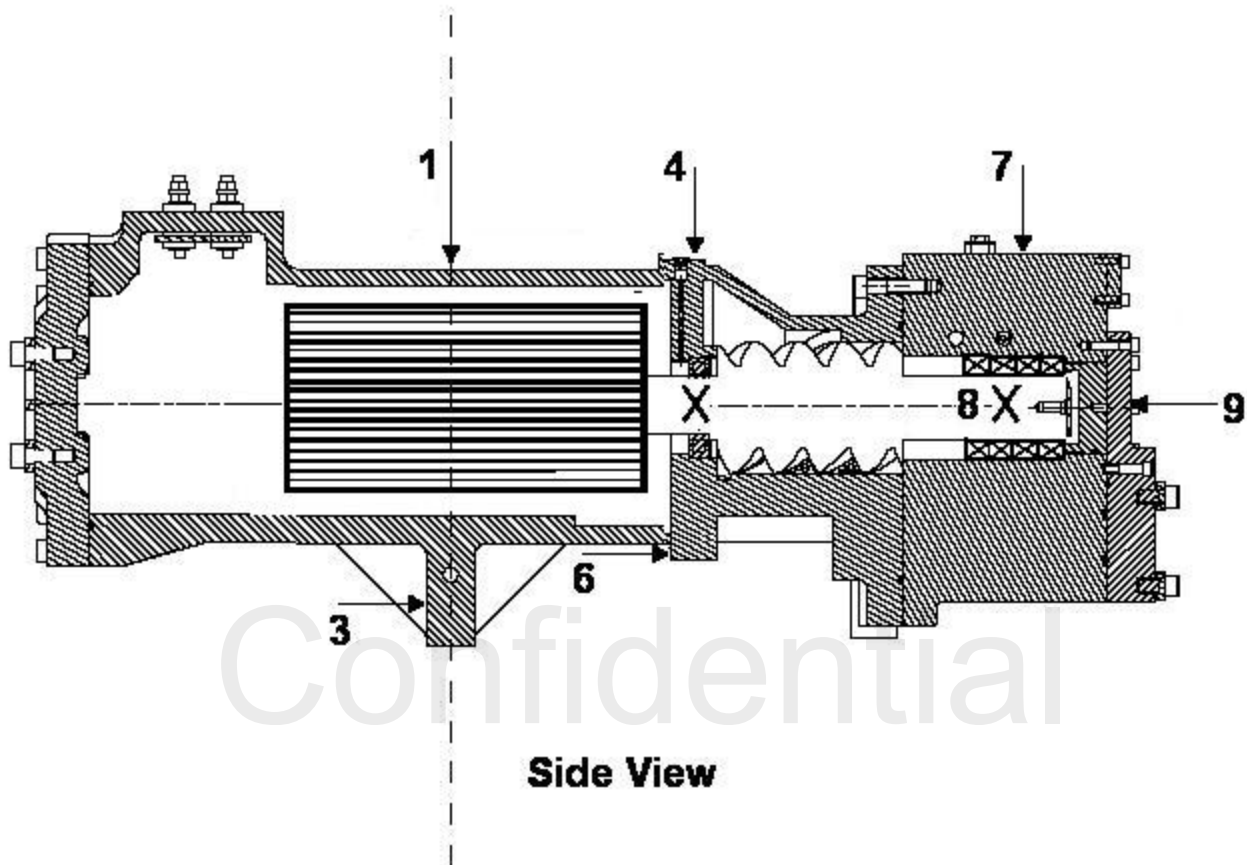


**\*SENSOR MOUNTING TABS REQUIRED**

## MEASUREMENT POINTS

- |                      |                           |
|----------------------|---------------------------|
| 1 - Motor Vertical   | 6 - Mocom Axial           |
| 2 - Motor Horizontal | 7 - Compressor Vertical   |
| 3 - Motor Axial      | 8 - Compressor Horizontal |
| 4 - Mocom Vertical   | 9 - Compressor Axial      |
| 5 - Mocom Horizontal |                           |

# York DXS

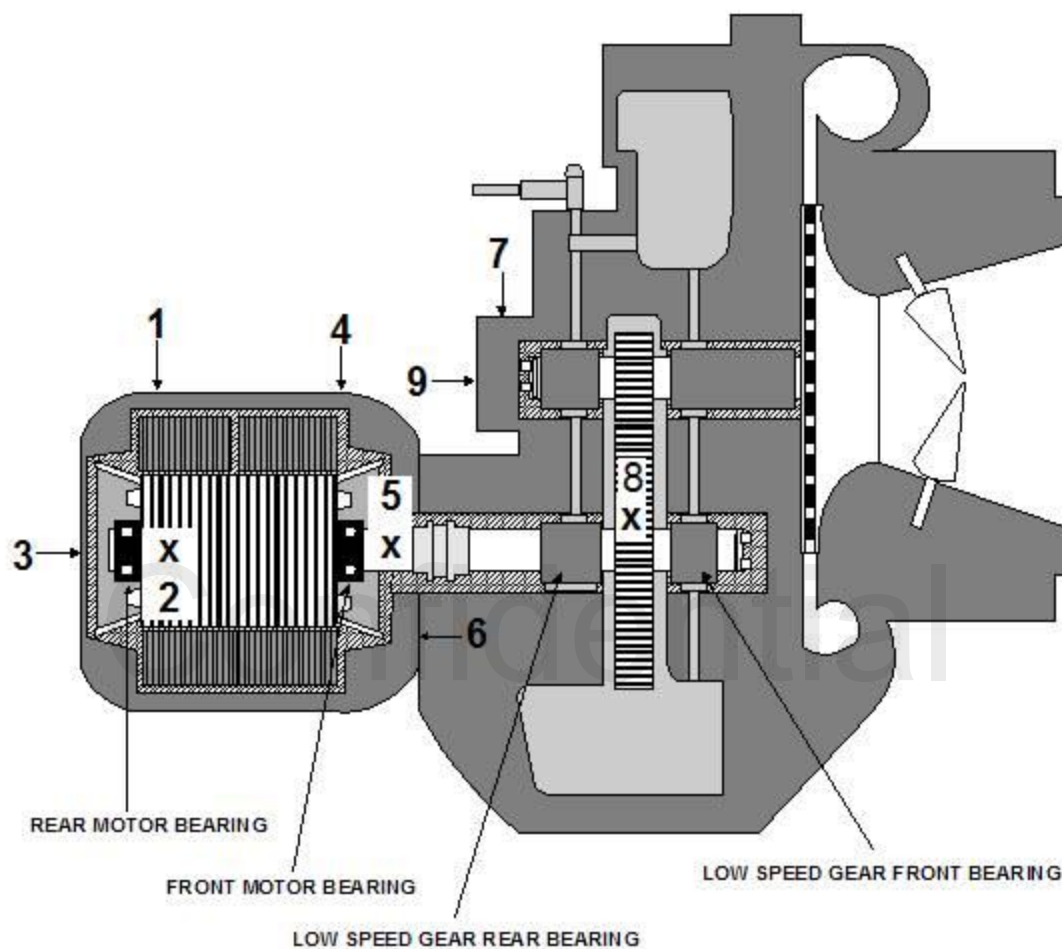


Motor outboard readings  
are aligned to motor feet.

## MEASUREMENT POINTS

- |                     |                          |
|---------------------|--------------------------|
| 1) Motor Vertical   | 6) Mocom Axial           |
| 2) Motor Horizontal | 7) Compressor Vertical   |
| 3) Motor Axial      | 8) Compressor Horizontal |
| 4) Mocom Vertical   | 9) Compressor Axial      |
| 5) Mocom Horizontal |                          |

# YORK HG

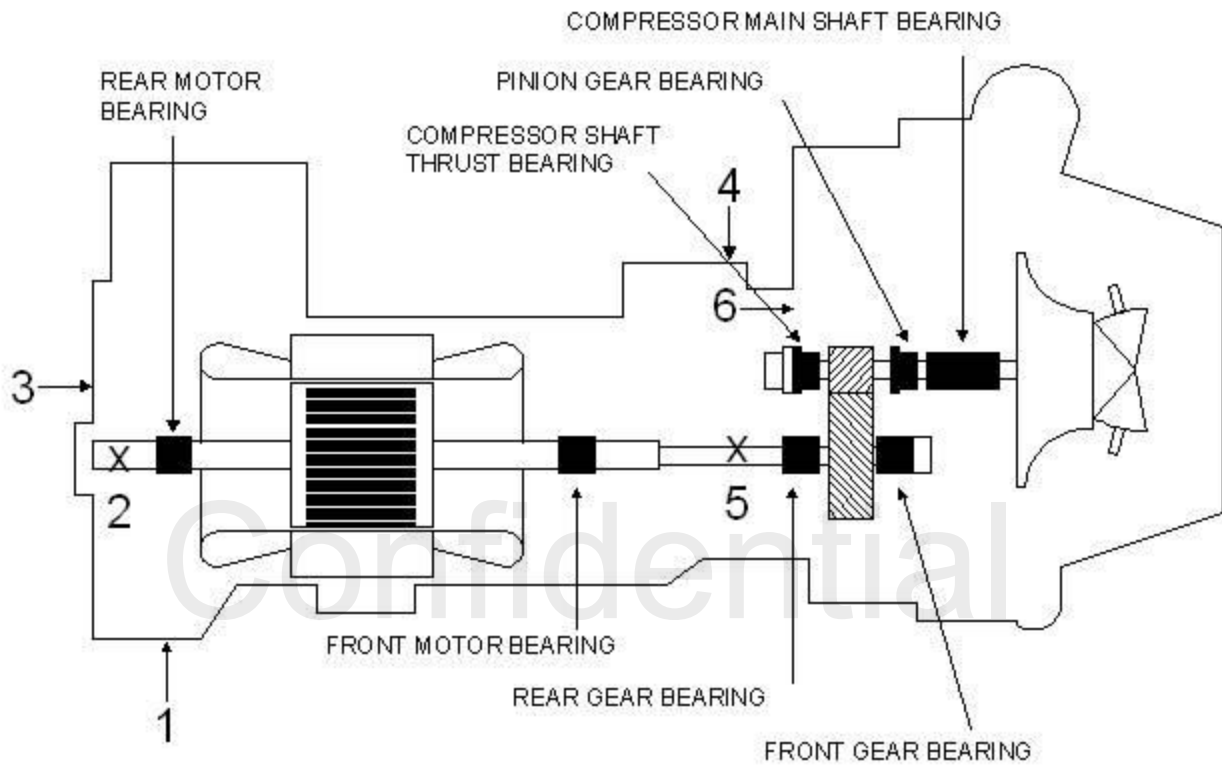


**\*SENSOR MOUNTING TABS REQUIRED**

## MEASUREMENT POINTS

- |                      |                           |
|----------------------|---------------------------|
| 1 - Motor Vertical   | 6 - Mocom Axial           |
| 2 - Motor Horizontal | 7 - Compressor Vertical   |
| 3 - Motor Axial      | 8 - Compressor Horizontal |
| 4 - Mocom Vertical   | 9 - Compressor Axial      |
| 5 - Mocom Horizontal |                           |

# YORK HT



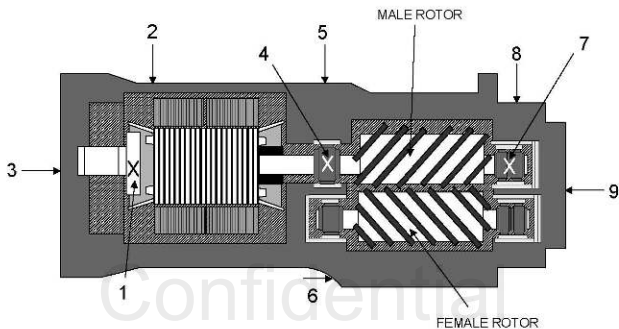
**\*SENSOR MOUNTING TABS REQUIRED**

## MEASUREMENT POINTS

1 - Motor Vertical  
2 - Motor Horizontal  
3 - Motor Axial

4 - Compressor Vertical  
5 - Compressor Horizontal  
6 - Compressor Axial

# YORK MTS

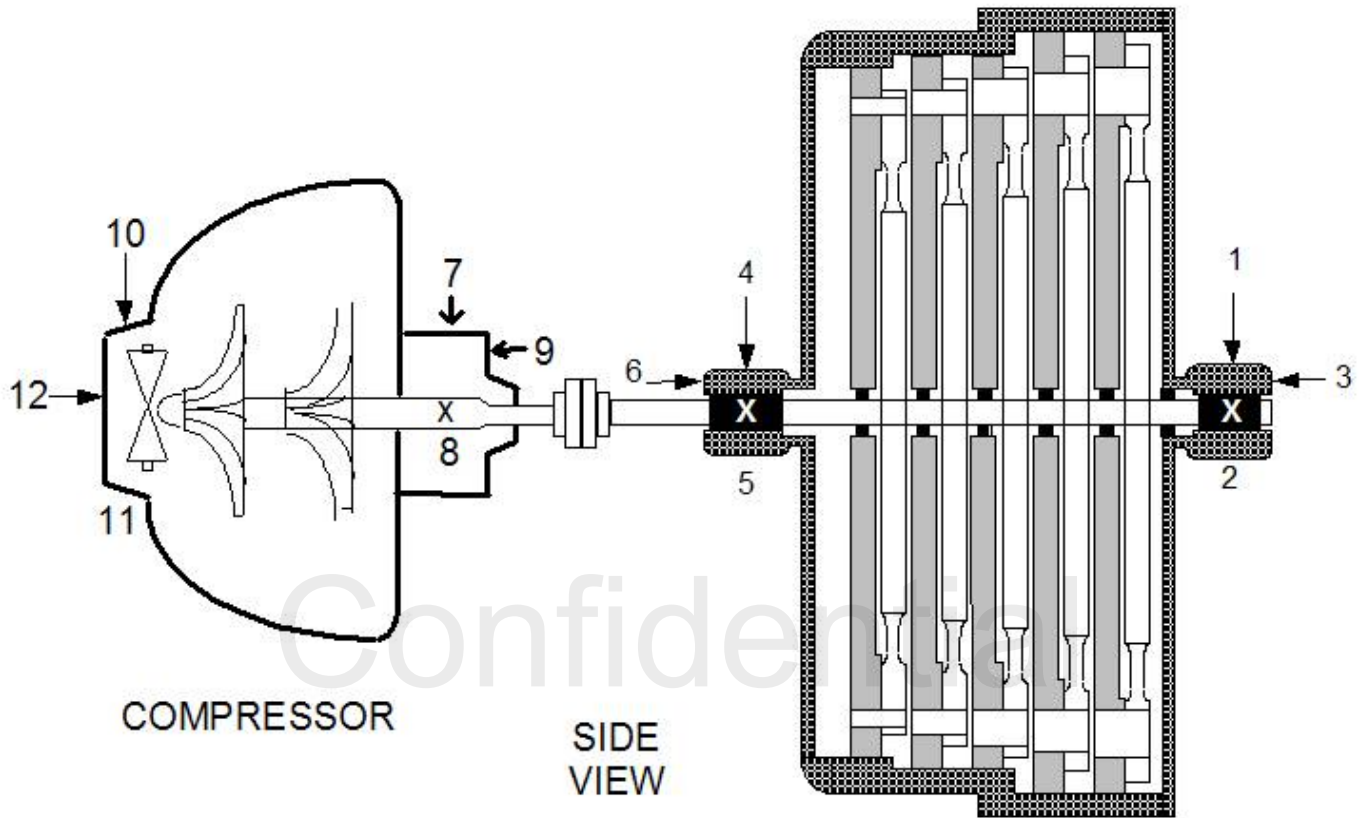


TOP VIEW

## MEASUREMENT POINTS

- |                      |                           |
|----------------------|---------------------------|
| 1 - Motor Vertical   | 6 - Mocom Axial           |
| 2 - Motor Horizontal | 7 - Compressor Vertical   |
| 3 - Motor Axial      | 8 - Compressor Horizontal |
| 4 - Mocom Vertical   | 9 - Compressor Axial      |
| 5 - Mocom Horizontal |                           |

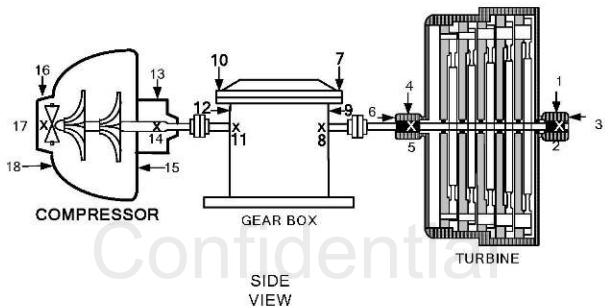
# York OM Turbine



## MEASUREMENT POINTS

- |                                  |                                      |
|----------------------------------|--------------------------------------|
| 1 - Turbine Off-end Vertical     | 7 - Compressor In-board Vertical     |
| 2 - Turbine Off-end Horizontal   | 8 - Compressor In-board Horizontal   |
| 3 - Turbine Off-end Axial        | 9 - Compressor in-board Axial        |
| 4 - Turbine Drive-end Vertical   | 10 - Compressor Out-board Vertical   |
| 5 - Turbine Drive-end Horizontal | 11 - Compressor Out-board Horizontal |
| 6 - Turbine Drive-end Axial      | 12 - Compressor Out-board Axial      |

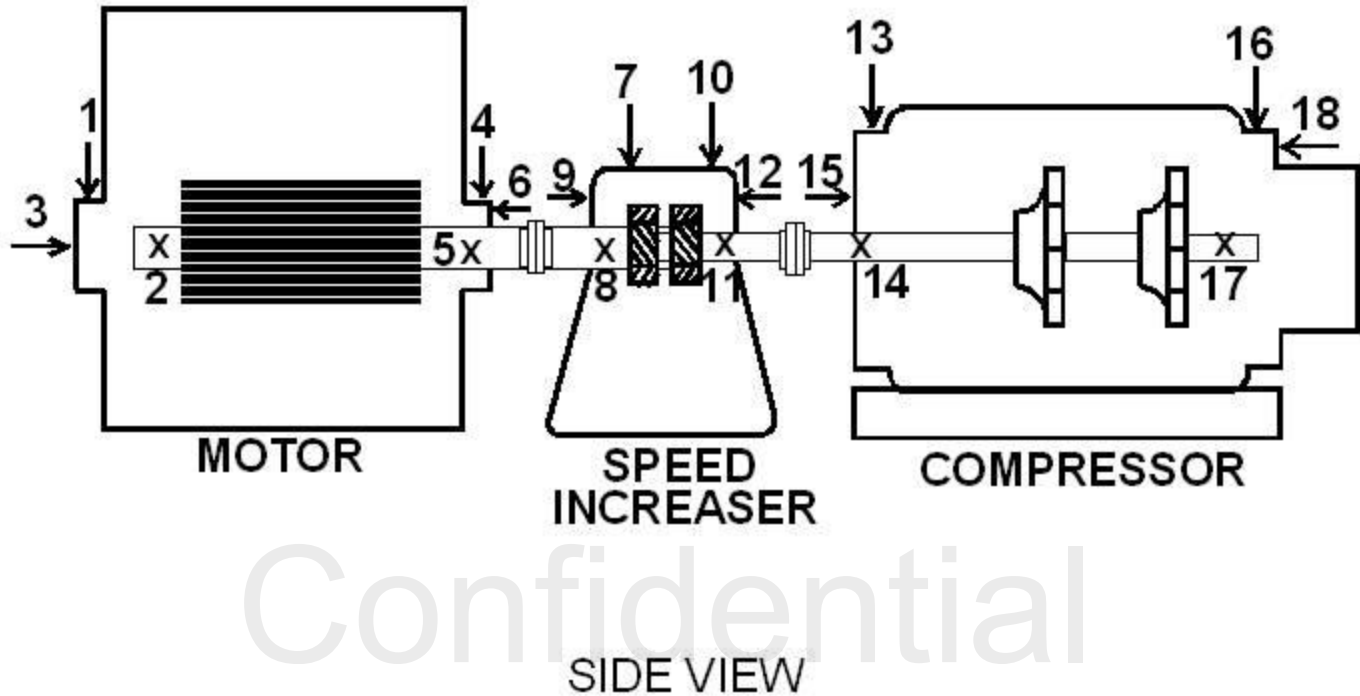
# York OM Turbine with Gearbox



## MEASUREMENT POINTS

- |                                  |                                      |
|----------------------------------|--------------------------------------|
| 1 - Turbine Off-end Vertical     | 10 - Gearbox Out-board Vertical      |
| 2 - Turbine Off-end Horizontal   | 11 - Gearbox Out-board Horizontal    |
| 3 - Turbine Off-end Axial        | 12 - Gearbox Out-board Axial         |
| 4 - Turbine Drive-end Vertical   | 13 - Compressor In-board Vertical    |
| 5 - Turbine Drive-end Horizontal | 14 - Compressor In-board Horizontal  |
| 6 - Turbine Drive-end Axial      | 15 - Compressor In-board Axial       |
| 7 - Gearbox In-board Vertical    | 16 - Compressor Out-board Vertical   |
| 8 - Gearbox In-board Horizontal  | 17 - Compressor Out-board Horizontal |
| 9 - Gearbox In-board Axial       | 18 - Compressor Out-board Axial      |

# YORK OM

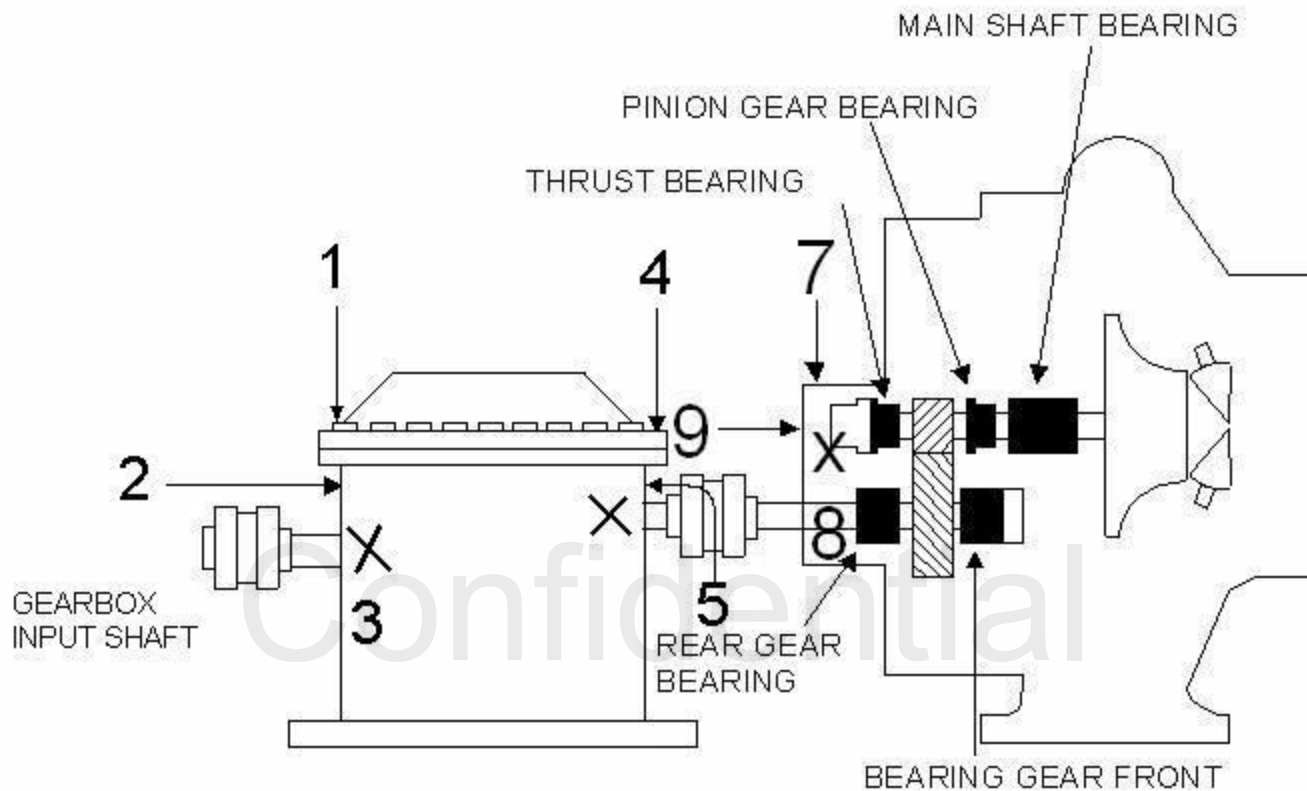


**\*SENSOR MOUNTING TABS REQUIRED**

## MEASUREMENT POINTS

- |                         |                            |
|-------------------------|----------------------------|
| 1 - Motor Vertical      | 10 - Si/Compr Vertical     |
| 2 - Motor Horizontal    | 11 - Si/Compr Horizontal   |
| 3 - Motor Axial         | 12 - Si/Compr Axial        |
| 4 - Motor/Si Vertical   | 13 - Compr/Si Vertical     |
| 5 - Motor/Si Horizontal | 14 - Compr/Si Horizontal   |
| 6 - Motor/Si Axial      | 15 - Compr/Si Axial        |
| 7 - Si/Motor Vertical   | 16 - Compressor Vertical   |
| 8 - Si/Motor Horizontal | 17 - Compressor Horizontal |
| 9 - Si/Motor Axial      | 18 - Compressor Axial      |

# YORK OT w/ external gearbox

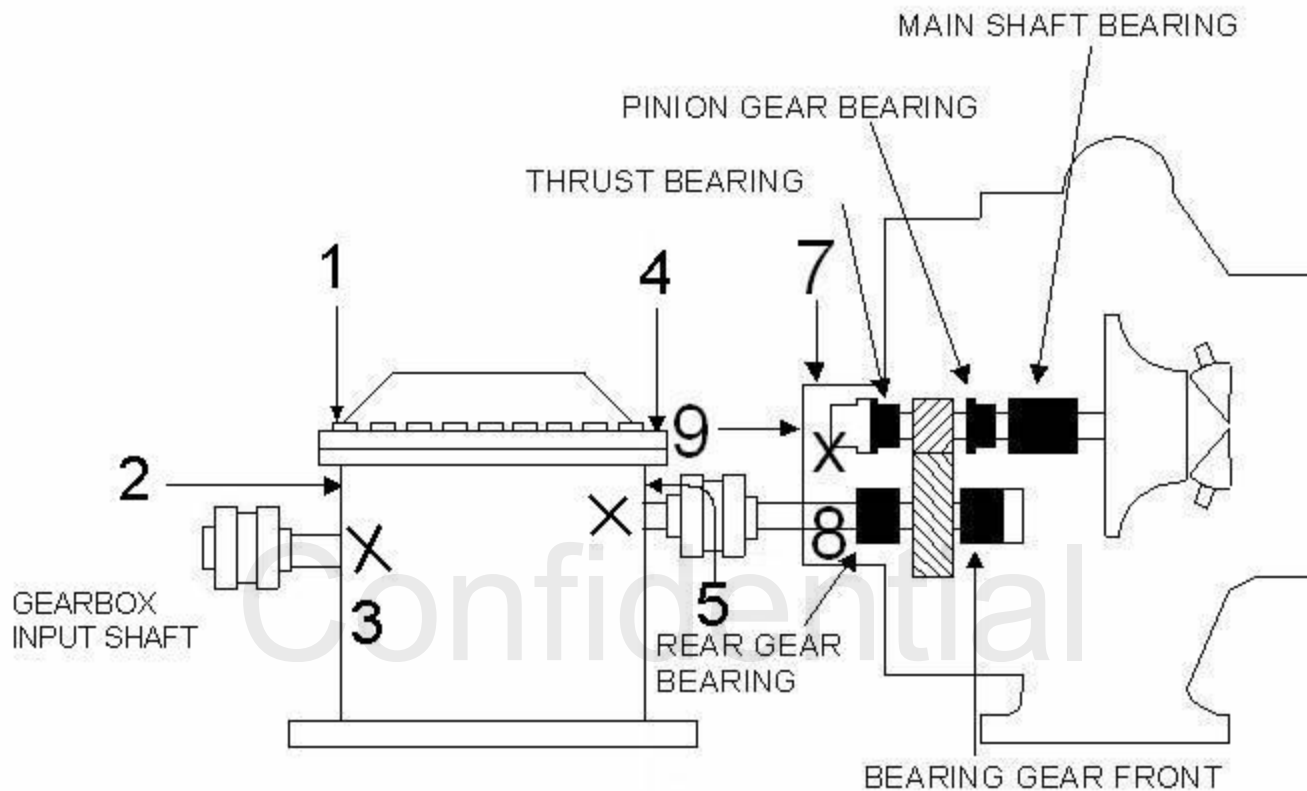


**\*SENSOR MOUNTING TABS REQUIRED**

## MEASUREMENT POINTS

- |                       |                           |
|-----------------------|---------------------------|
| 1 - Si-Mot Vertical   | 6 - Si-Com Axial          |
| 2 - Si-Mot Horizontal | 7 - Compressor Vertical   |
| 3 - Si-Mot Axial      | 8 - Compressor Horizontal |
| 4 - Si-Com Vertical   | 9 - Compressor Axial      |
| 5 - Si-Com Horizontal |                           |

# YORK OT w/ external gearbox

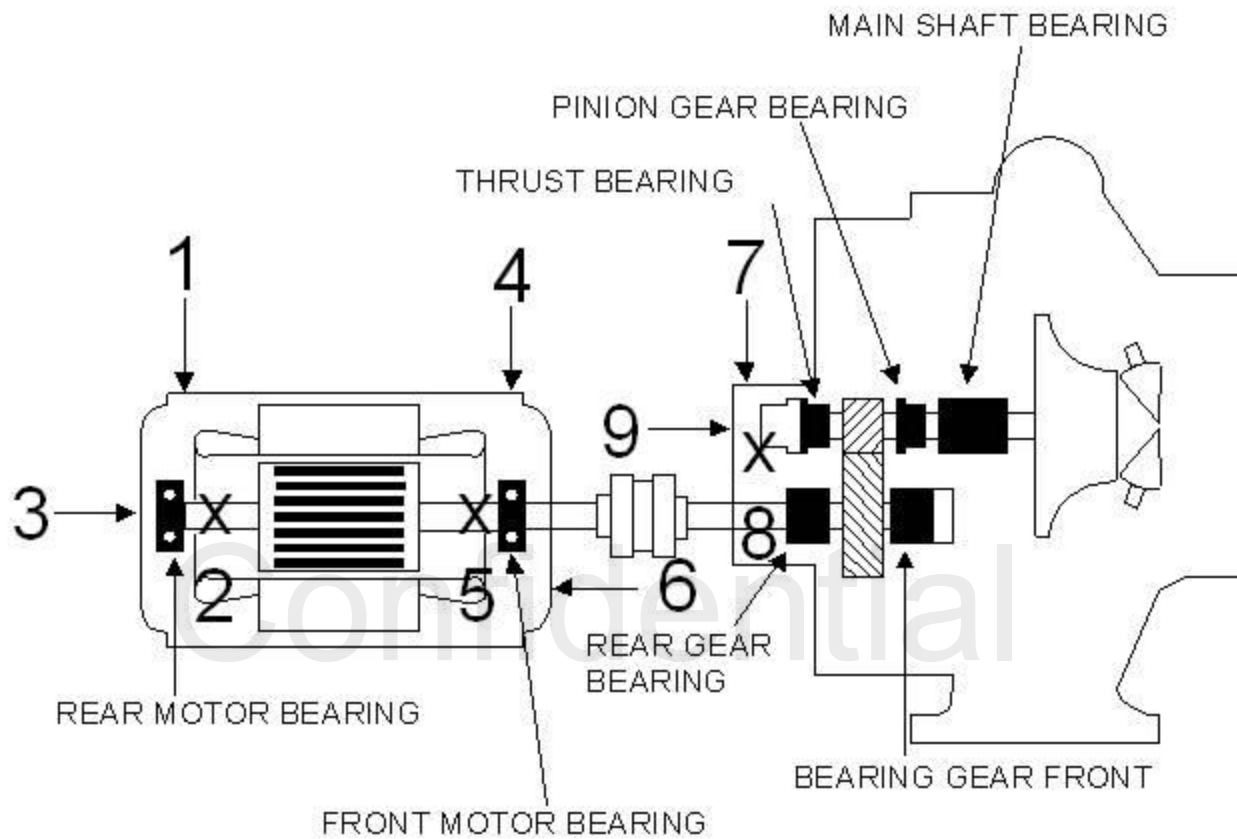


**\*SENSOR MOUNTING TABS REQUIRED**

## MEASUREMENT POINTS

- |                       |                           |
|-----------------------|---------------------------|
| 1 - Si-Mot Vertical   | 6 - Si-Com Axial          |
| 2 - Si-Mot Horizontal | 7 - Compressor Vertical   |
| 3 - Si-Mot Axial      | 8 - Compressor Horizontal |
| 4 - Si-Com Vertical   | 9 - Compressor Axial      |
| 5 - Si-Com Horizontal |                           |

# YORK OT

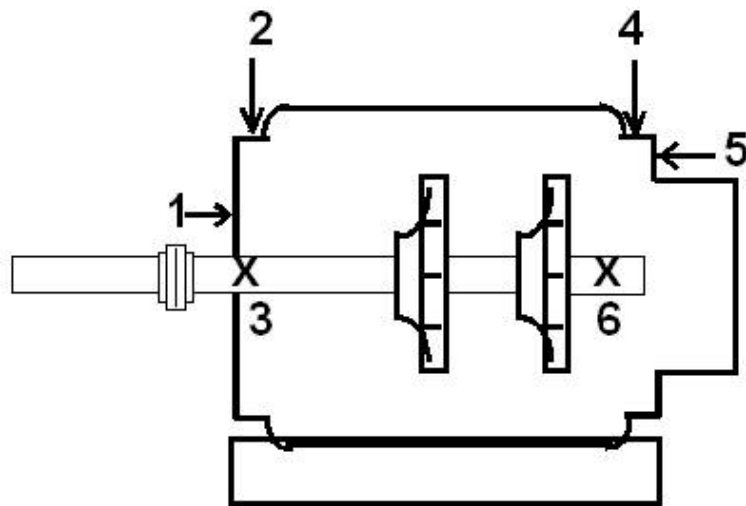


**\*SENSOR MOUNTING TABS REQUIRED**

## MEASUREMENT POINTS

- |                      |                           |
|----------------------|---------------------------|
| 1 - Motor Vertical   | 6 - Mocom Axial           |
| 2 - Motor Horizontal | 7 - Compressor Vertical   |
| 3 - Motor Axial      | 8 - Compressor Horizontal |
| 4 - Mocom Vertical   | 9 - Compressor Axial      |
| 5 - Mocom Horizontal |                           |

# YORK OM



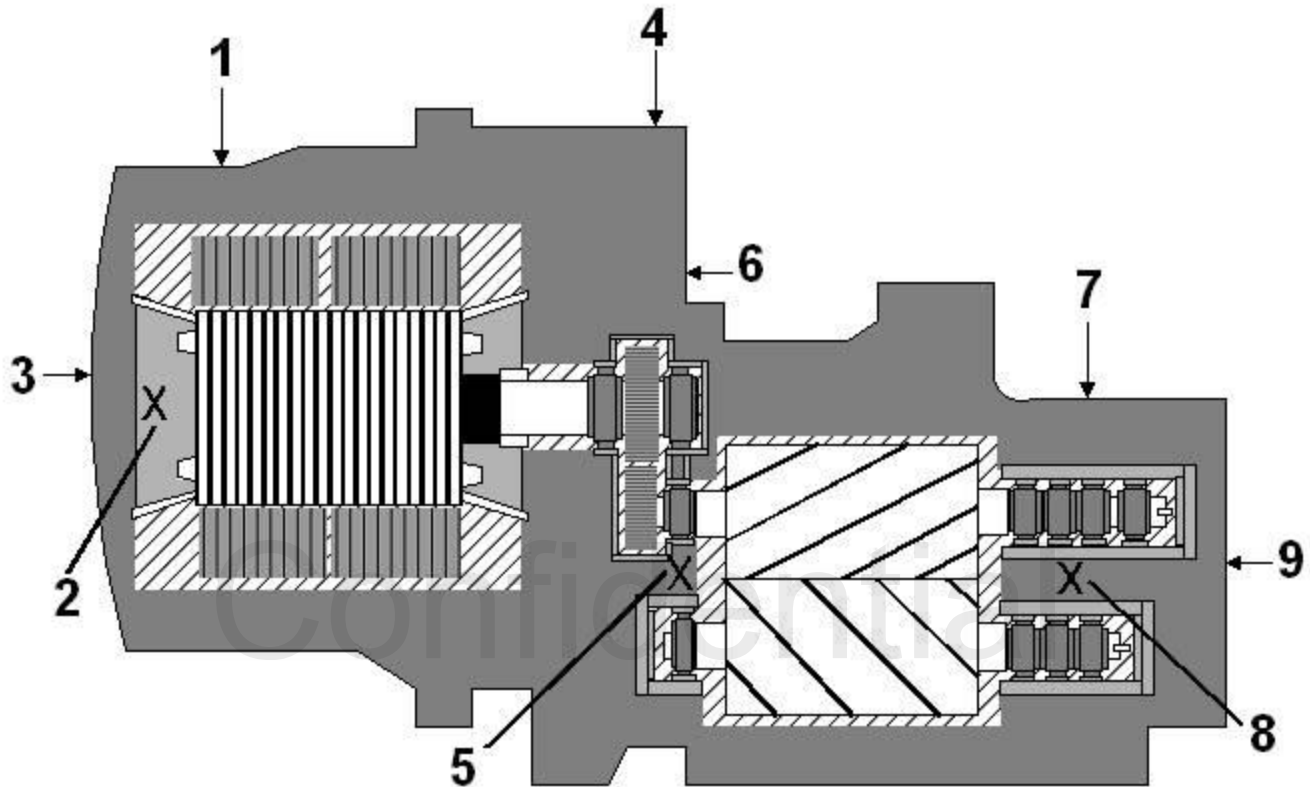
## COMPRESSOR

SIDE VIEW

## MEASUREMENT POINTS

- |                                  |                                   |
|----------------------------------|-----------------------------------|
| 1. Compressor Inboard Vertical   | 4. Compressor Outboard Vertical   |
| 2. Compressor Inboard Horizontal | 5. Compressor Outboard Horizontal |
| 3. Compressor Inboard Axial      | 6. Compressor Outboard Axial      |

# YORK XHS



side view

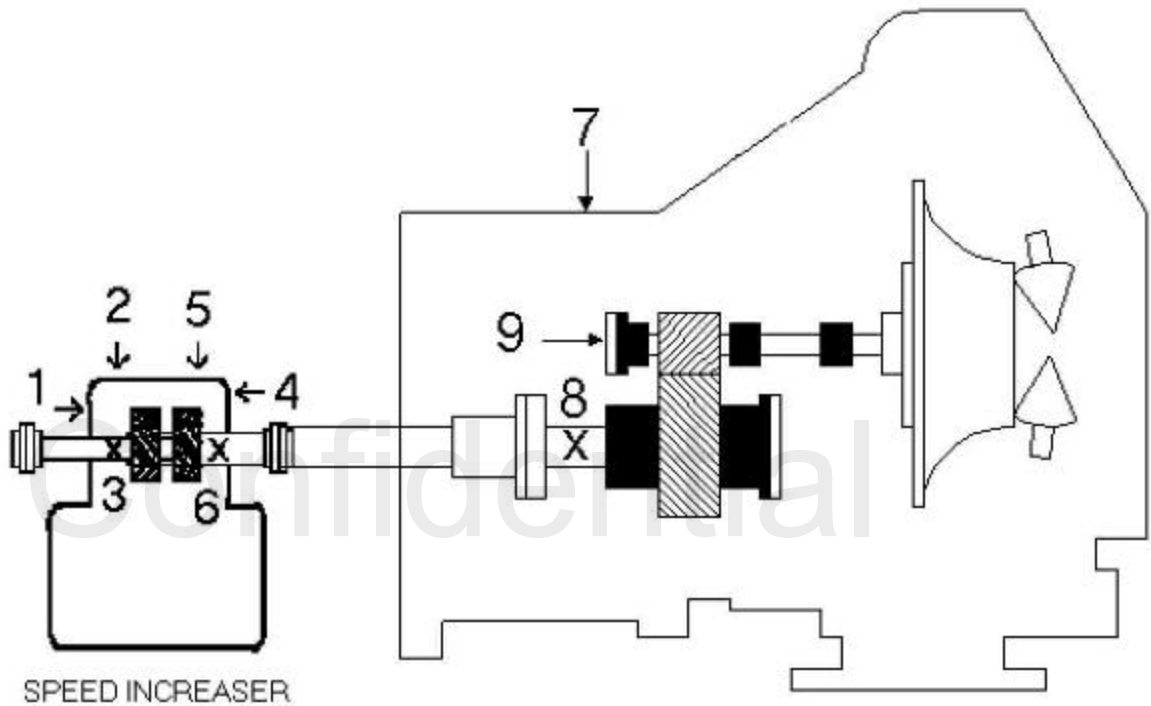
**\*SENSOR MOUNTING TABS REQUIRED**

## MEASUREMENT POINTS

1 - Motor Vertical  
2 - Motor Horizontal  
3 - Motor Axial  
4 - Mocom Vertical  
5 - Mocom Horizontal

6 - Mocom Axial  
7 - Compressor Vertical  
8 - Compressor Horizontal  
9 - Compressor Axial

# YORK YB

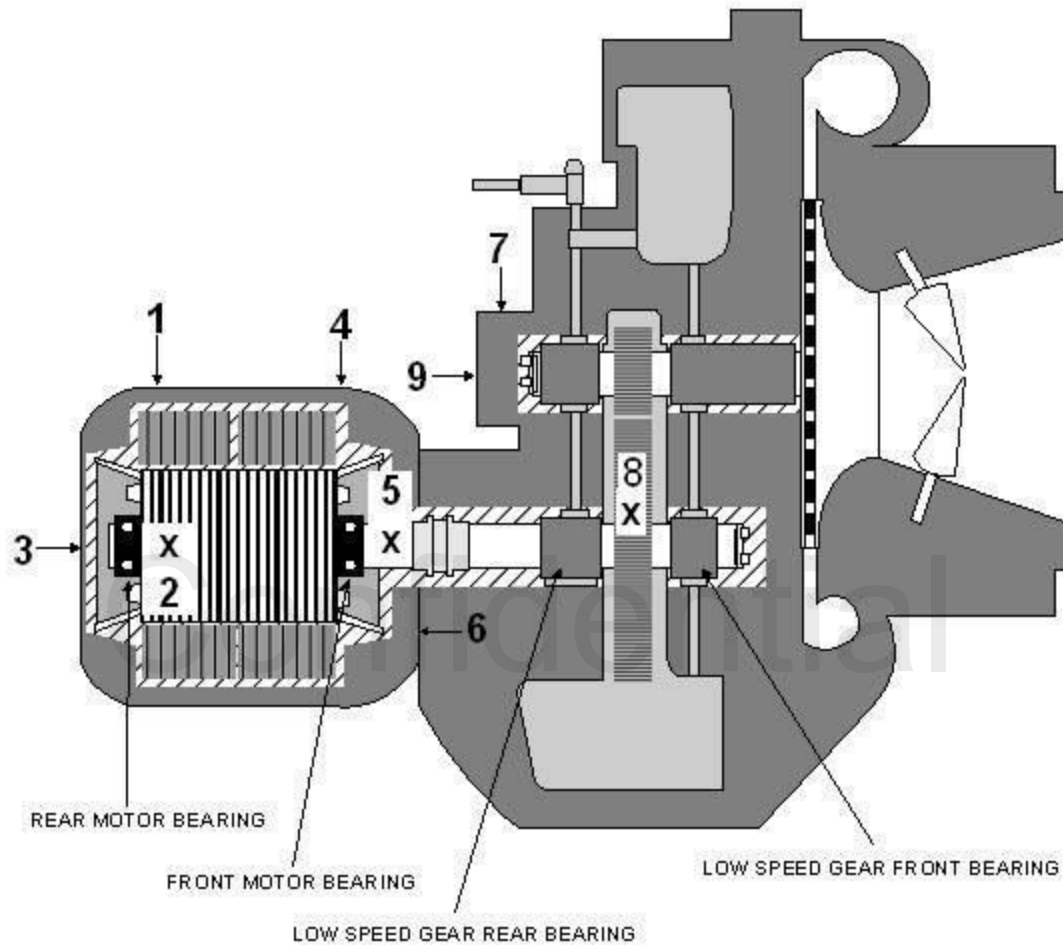


**\*SENSOR MOUNTING TABS REQUIRED**

## MEASUREMENT POINTS

- |                                     |                                |
|-------------------------------------|--------------------------------|
| 1 Speed Increaser Input Vertical    | 6 Speed Increaser Output Axial |
| 2 Speed Increaser Input Horizontal  | 7 Compressor Vertical          |
| 3 Speed Increaser Input Axial       | 8 Compressor Horizontal        |
| 4 Speed Increaser Output Vertical   | 9 Compressor Axial             |
| 5 Speed Increaser Output Horizontal |                                |

# YORK YD

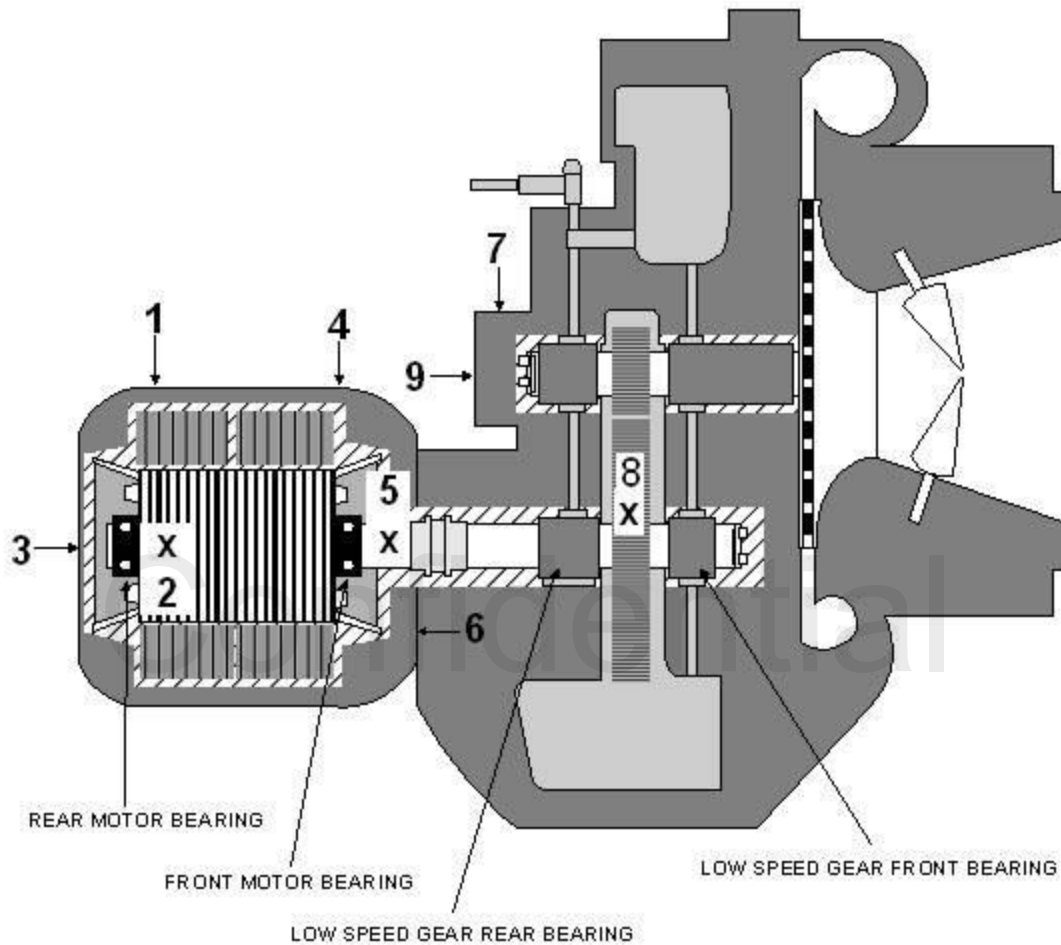


**\*SENSOR MOUNTING TABS REQUIRED**

## MEASUREMENT POINTS

- |                      |                           |
|----------------------|---------------------------|
| 1 - Motor Vertical   | 6 - Mocom Axial           |
| 2 - Motor Horizontal | 7 - Compressor Vertical   |
| 3 - Motor Axial      | 8 - Compressor Horizontal |
| 4 - Mocom Vertical   | 9 - Compressor Axial      |
| 5 - Mocom Horizontal |                           |

# YORK YDHA

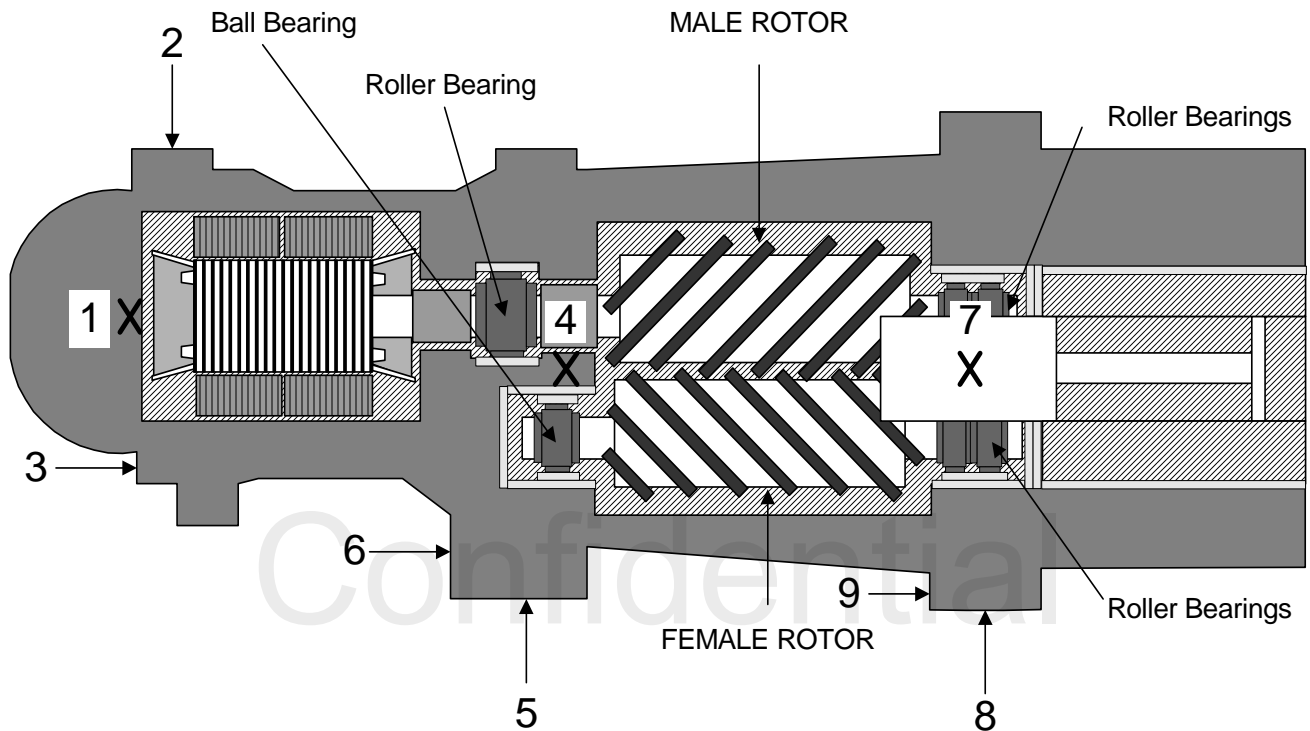


**\*SENSOR MOUNTING TABS REQUIRED**

## MEASUREMENT POINTS

- |                      |                           |
|----------------------|---------------------------|
| 1 - Motor Vertical   | 6 - Mocom Axial           |
| 2 - Motor Horizontal | 7 - Compressor Vertical   |
| 3 - Motor Axial      | 8 - Compressor Horizontal |
| 4 - Mocom Vertical   | 9 - Compressor Axial      |
| 5 - Mocom Horizontal |                           |

# YORK YEWS

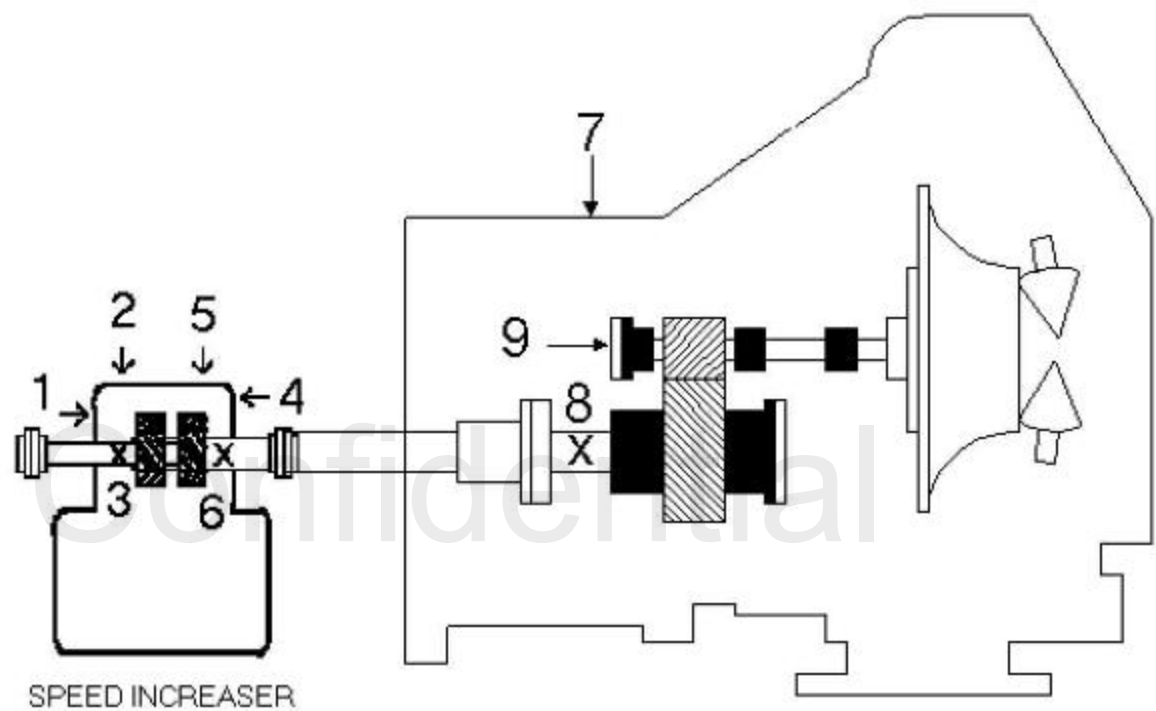


TOP VIEW

## MEASUREMENT POINTS

- |                      |                           |
|----------------------|---------------------------|
| 1 - Motor Vertical   | 6 - Mocom Axial           |
| 2 - Motor Horizontal | 7 - Compressor Vertical   |
| 3 - Motor Axial      | 8 - Compressor Horizontal |
| 4 - Mocom Vertical   | 9 - Compressor Axial      |
| 5 - Mocom Horizontal |                           |

# YORK YG

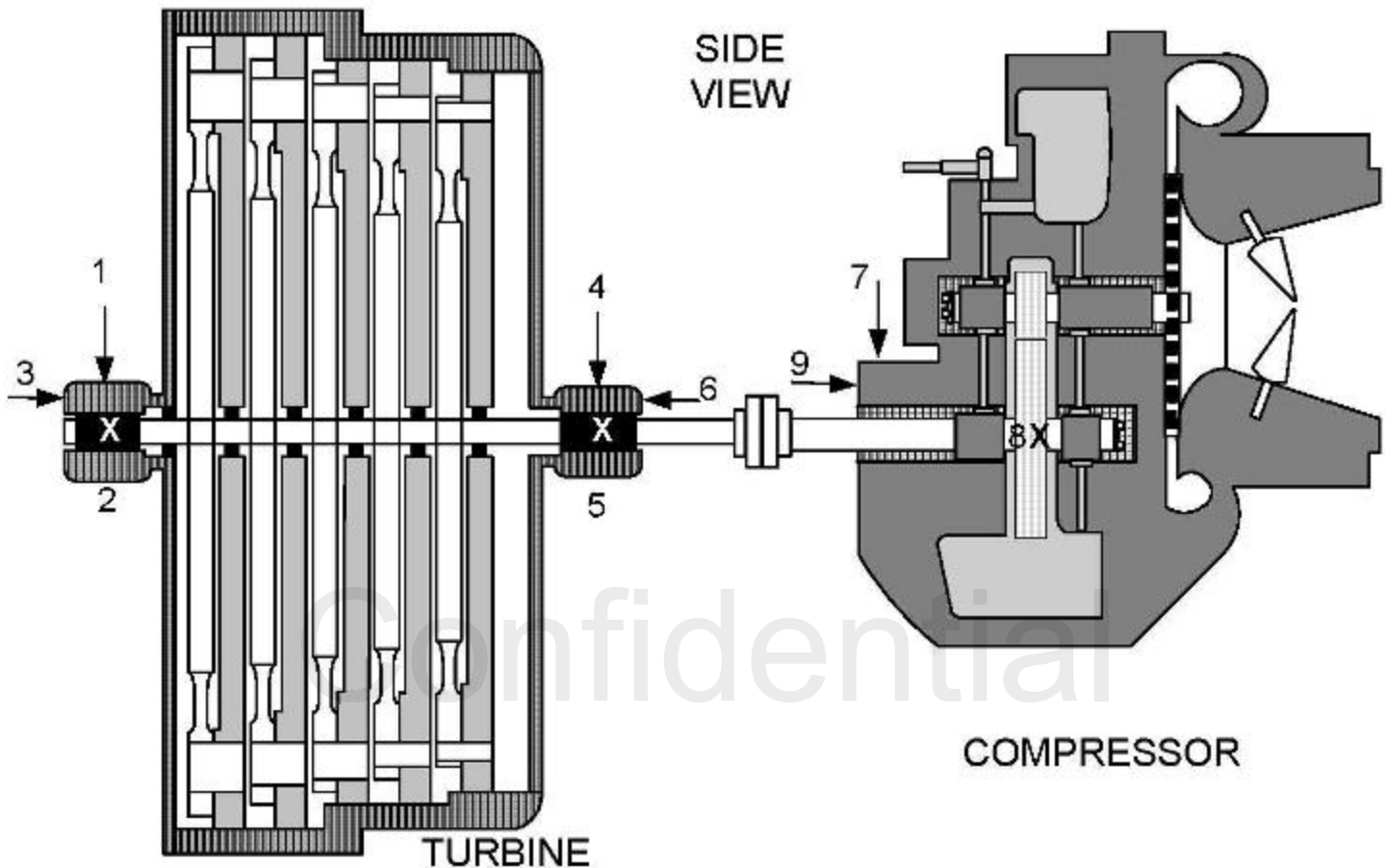


**\*SENSOR MOUNTING TABS REQUIRED**

## MEASUREMENT POINTS

- |                                     |                                |
|-------------------------------------|--------------------------------|
| 1 Speed Increaser Input Vertical    | 6 Speed Increaser Output Axial |
| 2 Speed Increaser Input Horizontal  | 7 Compressor Vertical          |
| 3 Speed Increaser Input Axial       | 8 Compressor Horizontal        |
| 4 Speed Increaser Output Vertical   | 9 Compressor Axial             |
| 5 Speed Increaser Output Horizontal |                                |

# York YK Turbine

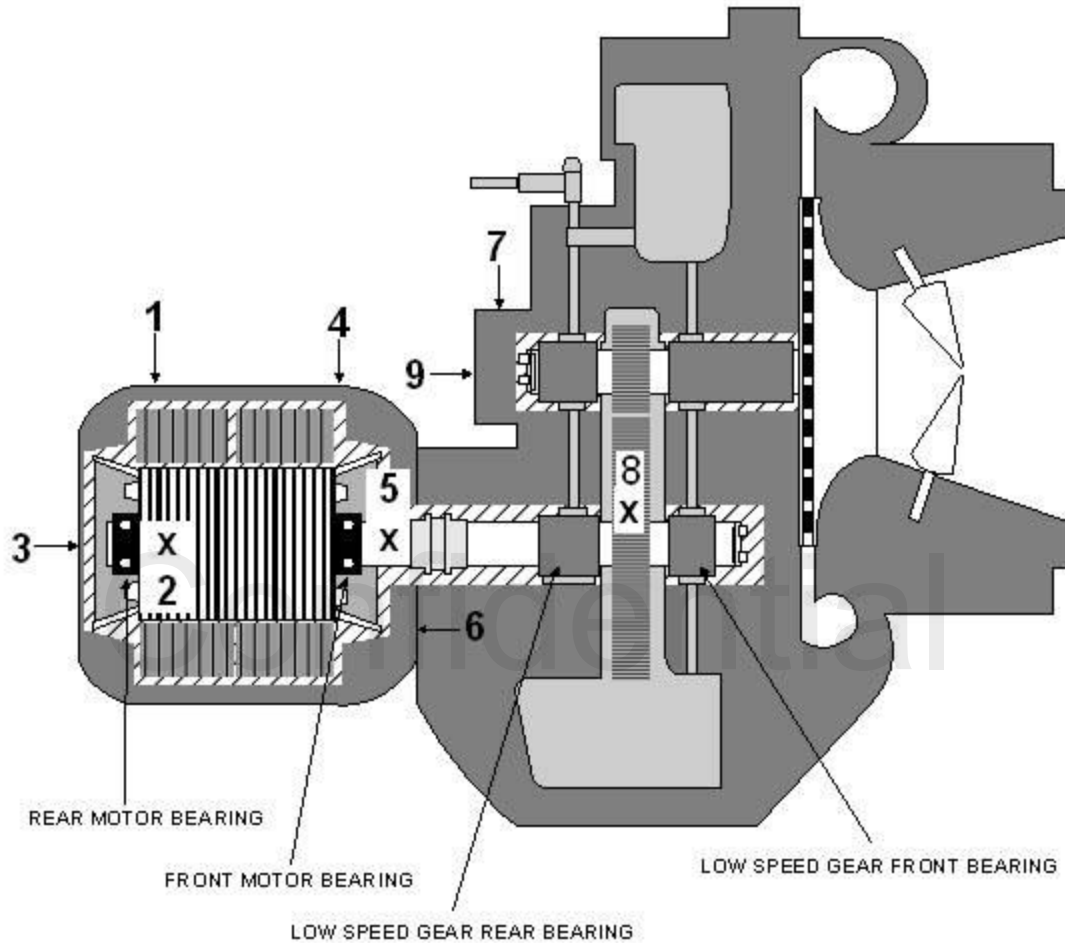


**\*SENSOR MOUNTING TABS REQUIRED**

## MEASUREMENT POINTS

- |                                  |                                    |
|----------------------------------|------------------------------------|
| 1 - Turbine Off-end Vertical     | 7 - Compressor In-board Vertical   |
| 2 - Turbine Off-end Horizontal   | 8 - Compressor In-board Horizontal |
| 3 - Turbine Off-end Axial        | 9 - Compressor in-board Axial      |
| 4 - Turbine Drive-end Vertical   |                                    |
| 5 - Turbine Drive-end Horizontal |                                    |
| 6 - Turbine Drive-end Axial      |                                    |

# YORK YK

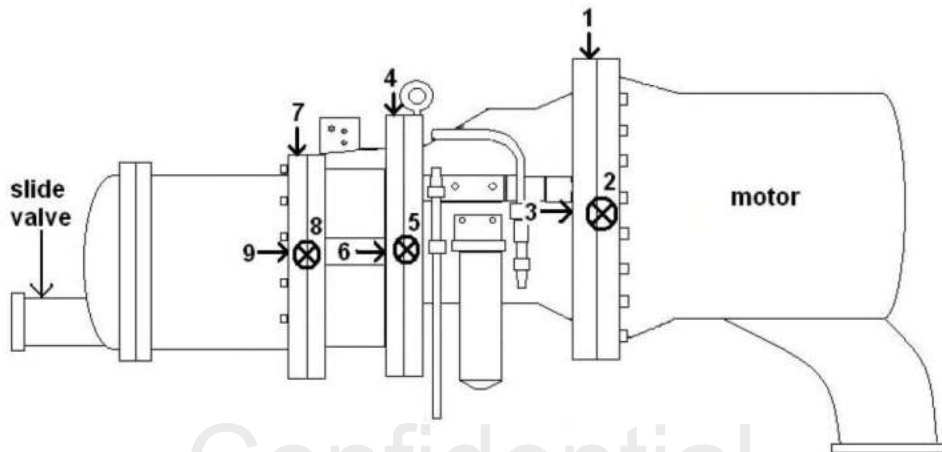


**\*SENSOR MOUNTING TABS REQUIRED**

## MEASUREMENT POINTS

- |                      |                           |
|----------------------|---------------------------|
| 1 - Motor Vertical   | 6 - Mocom Axial           |
| 2 - Motor Horizontal | 7 - Compressor Vertical   |
| 3 - Motor Axial      | 8 - Compressor Horizontal |
| 4 - Mocom Vertical   | 9 - Compressor Axial      |
| 5 - Mocom Horizontal |                           |

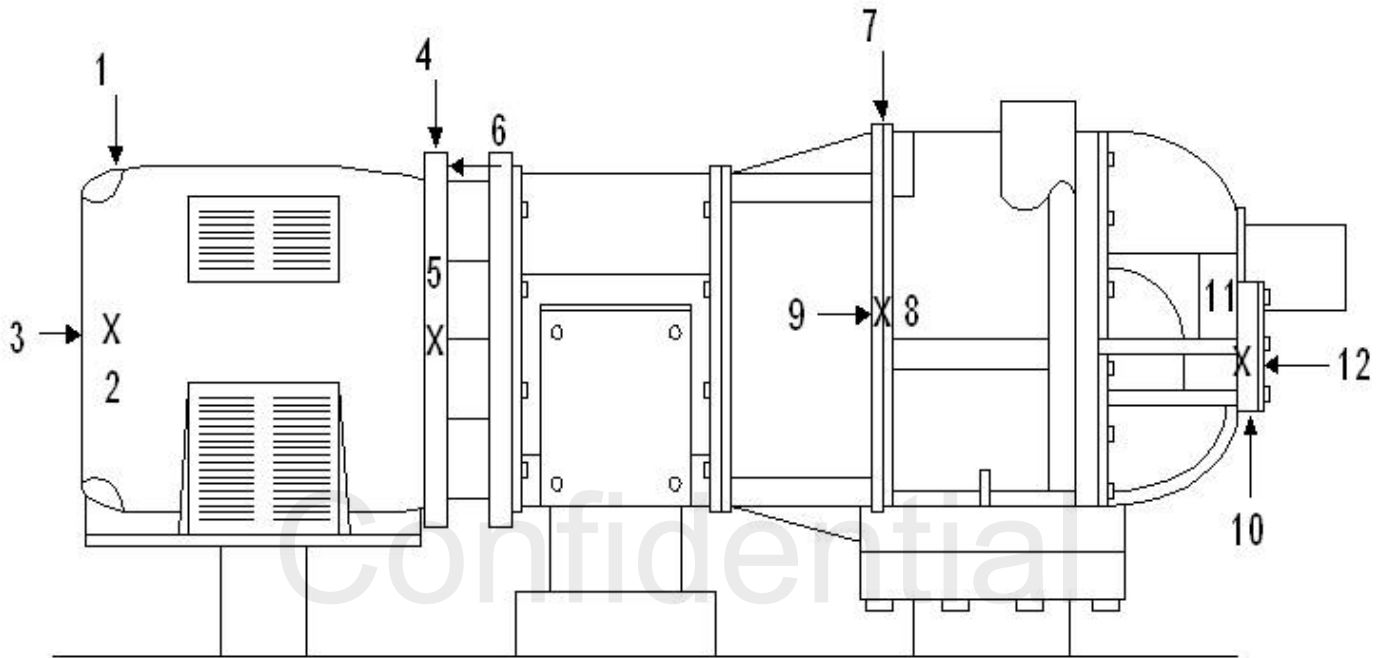
# YORK YR



## MEASUREMENT POINTS

- |                      |                           |
|----------------------|---------------------------|
| 1 - Motor Vertical   | 6 - Mocom Axial           |
| 2 - Motor Horizontal | 7 - Compressor Vertical   |
| 3 - Motor Axial      | 8 - Compressor Horizontal |
| 4 - Mocom Vertical   | 9 - Compressor Axial      |
| 5 - Mocom Horizontal |                           |

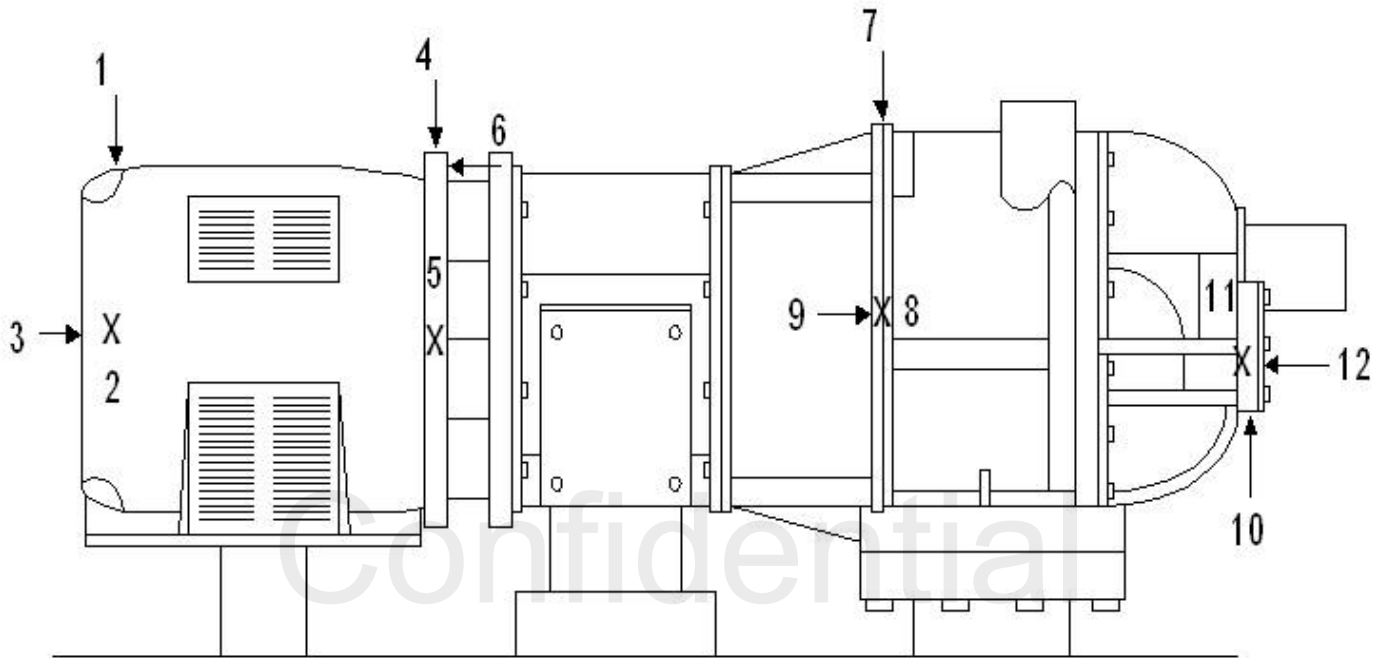
# YORK YS0



## MEASUREMENT POINTS

- |                      |                       |
|----------------------|-----------------------|
| 1 - MOTOF Vertical   | 7 - COMIB Vertical    |
| 2 - MOTOF Horizontal | 8 - COMIB Horizontal  |
| 3 - MOTOF Axial      | 9 - COMIB Axial       |
| 4 - MOTDR Vertical   | 10 - COMOB Vertical   |
| 5 - MOTDR Horizontal | 11 - COMOB Horizontal |
| 6 - MOTDR Axial      | 12 - COMOB Axial      |

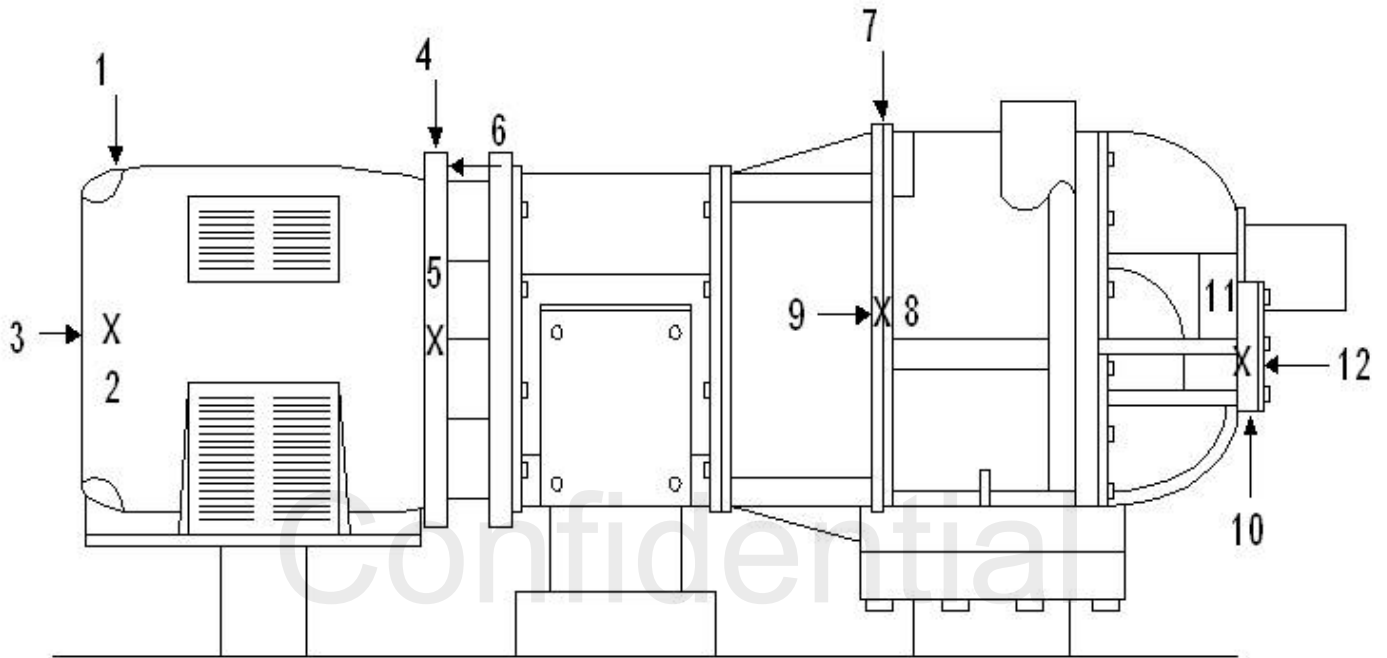
# YORK YS1



## MEASUREMENT POINTS

- |                      |                       |
|----------------------|-----------------------|
| 1 - MOTOF Vertical   | 7 - COMIB Vertical    |
| 2 - MOTOF Horizontal | 8 - COMIB Horizontal  |
| 3 - MOTOF Axial      | 9 - COMIB Axial       |
| 4 - MOTDR Vertical   | 10 - COMOB Vertical   |
| 5 - MOTDR Horizontal | 11 - COMOB Horizontal |
| 6 - MOTDR Axial      | 12 - COMOB Axial      |

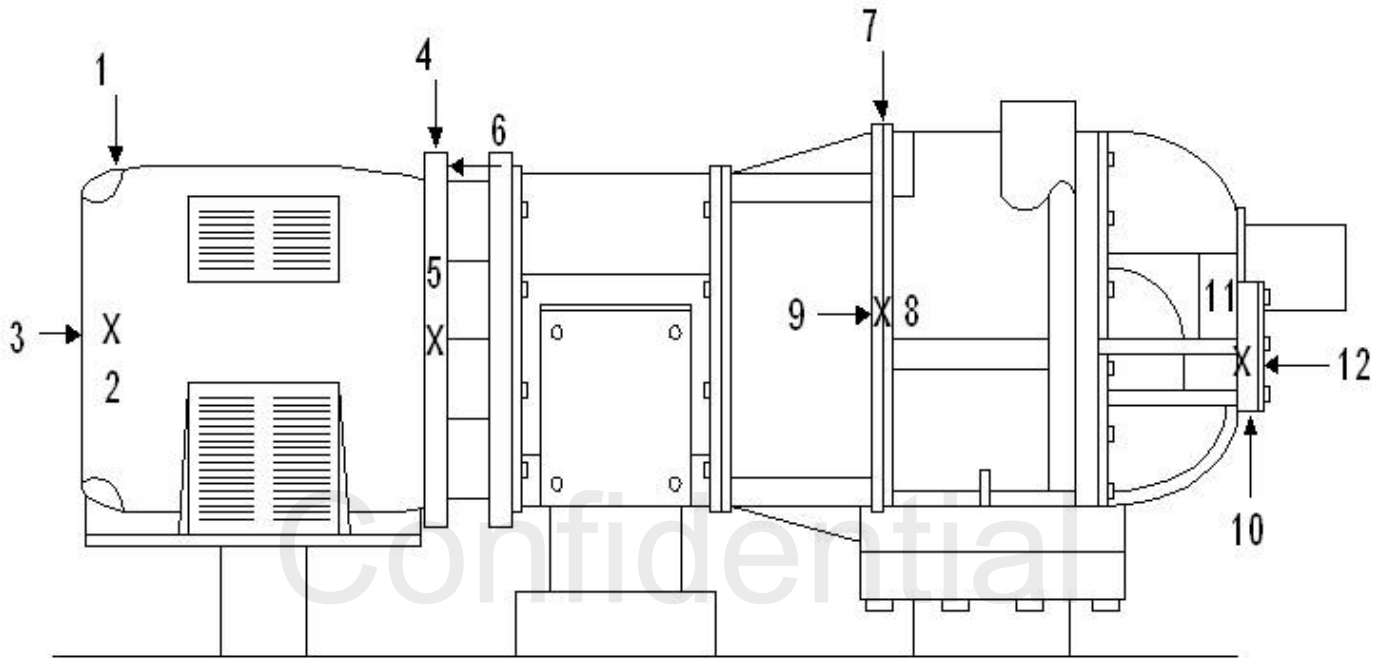
# YORK YS2



## MEASUREMENT POINTS

- |                      |                       |
|----------------------|-----------------------|
| 1 - MOTOF Vertical   | 7 - COMIB Vertical    |
| 2 - MOTOF Horizontal | 8 - COMIB Horizontal  |
| 3 - MOTOF Axial      | 9 - COMIB Axial       |
| 4 - MOTDR Vertical   | 10 - COMOB Vertical   |
| 5 - MOTDR Horizontal | 11 - COMOB Horizontal |
| 6 - MOTDR Axial      | 12 - COMOB Axial      |

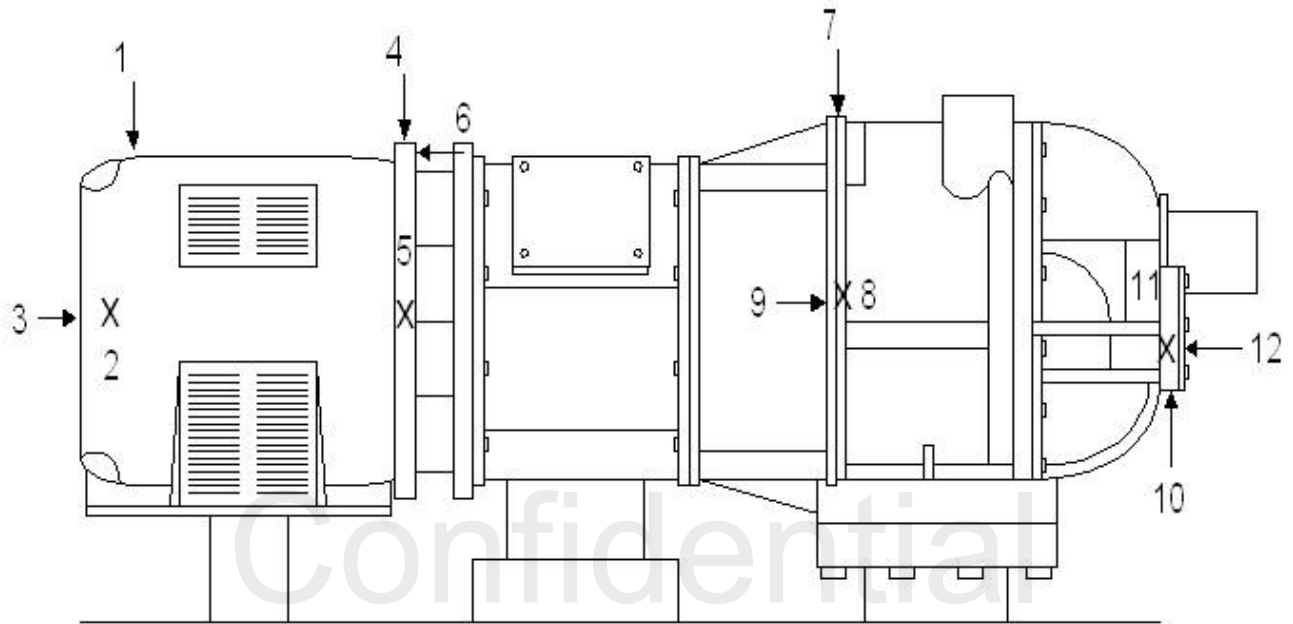
# YORK YS3



## MEASUREMENT POINTS

- |                      |                       |
|----------------------|-----------------------|
| 1 - MOTOF Vertical   | 7 - COMIB Vertical    |
| 2 - MOTOF Horizontal | 8 - COMIB Horizontal  |
| 3 - MOTOF Axial      | 9 - COMIB Axial       |
| 4 - MOTDR Vertical   | 10 - COMOB Vertical   |
| 5 - MOTDR Horizontal | 11 - COMOB Horizontal |
| 6 - MOTDR Axial      | 12 - COMOB Axial      |

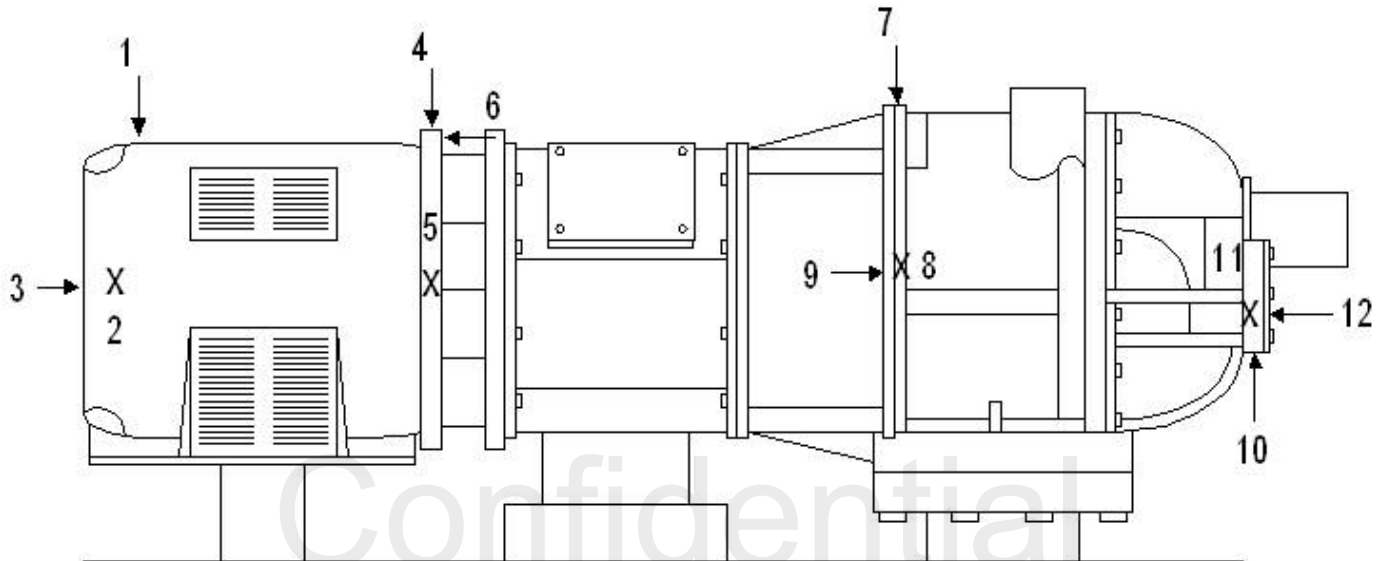
# YORK YS4



## MEASUREMENT POINTS

- |                      |                       |
|----------------------|-----------------------|
| 1 - MOTOF Vertical   | 7 - COMIB Vertical    |
| 2 - MOTOF Horizontal | 8 - COMIB Horizontal  |
| 3 - MOTOF Axial      | 9 - COMIB Axial       |
| 4 - MOTDR Vertical   | 10 - COMOB Vertical   |
| 5 - MOTDR Horizontal | 11 - COMOB Horizontal |
| 6 - MOTDR Axial      | 12 - COMOB Axial      |

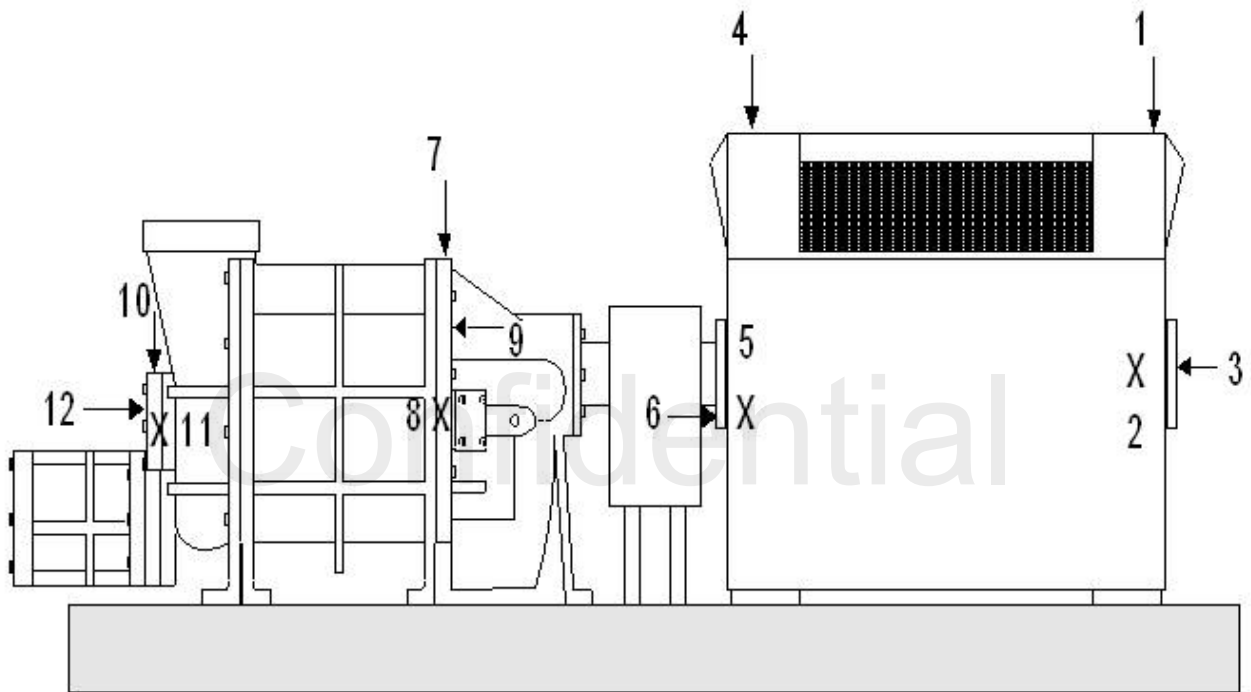
# YORK YS5



## MEASUREMENT POINTS

- |                      |                       |
|----------------------|-----------------------|
| 1 - MOTOF Vertical   | 7 - COMIB Vertical    |
| 2 - MOTOF Horizontal | 8 - COMIB Horizontal  |
| 3 - MOTOF Axial      | 9 - COMIB Axial       |
| 4 - MOTDR Vertical   | 10 - COMOB Vertical   |
| 5 - MOTDR Horizontal | 11 - COMOB Horizontal |
| 6 - MOTDR Axial      | 12 - COMOB Axial      |

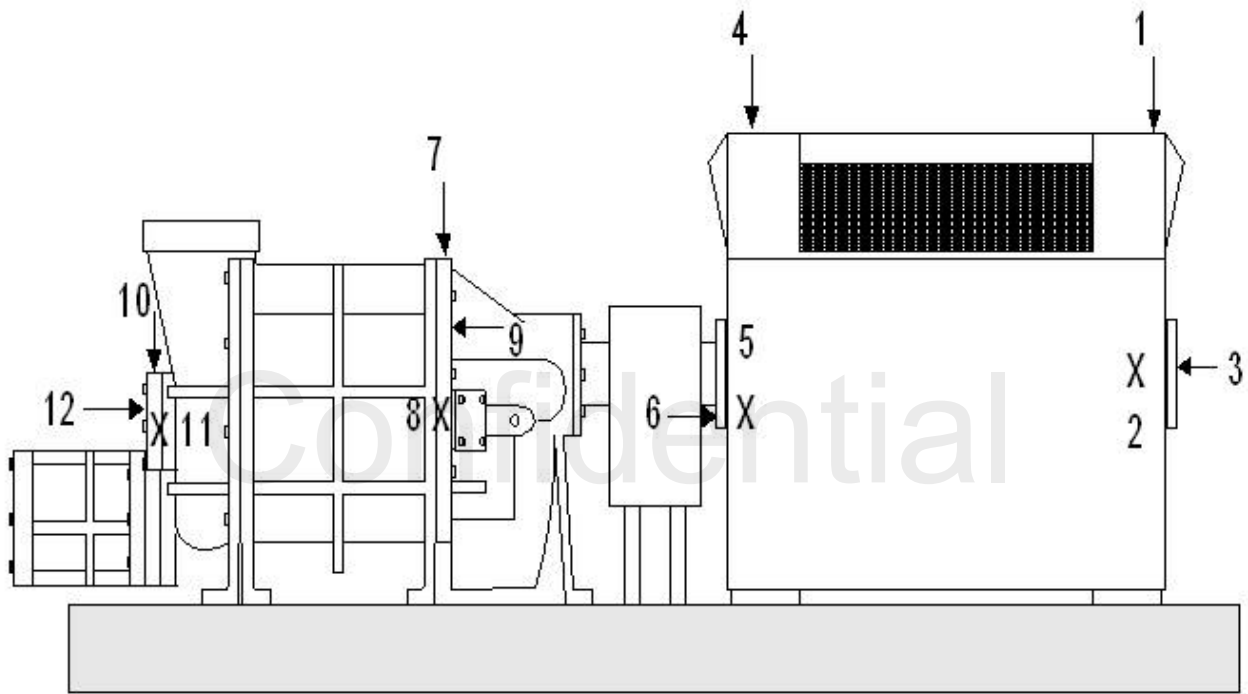
# YORK YS6



## MEASUREMENT POINTS

- |                      |                       |
|----------------------|-----------------------|
| 1 - MOTOF Vertical   | 7 - COMIB Vertical    |
| 2 - MOTOF Horizontal | 8 - COMIB Horizontal  |
| 3 - MOTOF Axial      | 9 - COMIB Axial       |
| 4 - MOTDR Vertical   | 10 - COMOB Vertical   |
| 5 - MOTDR Horizontal | 11 - COMOB Horizontal |
| 6 - MOTDR Axial      | 12 - COMOB Axial      |

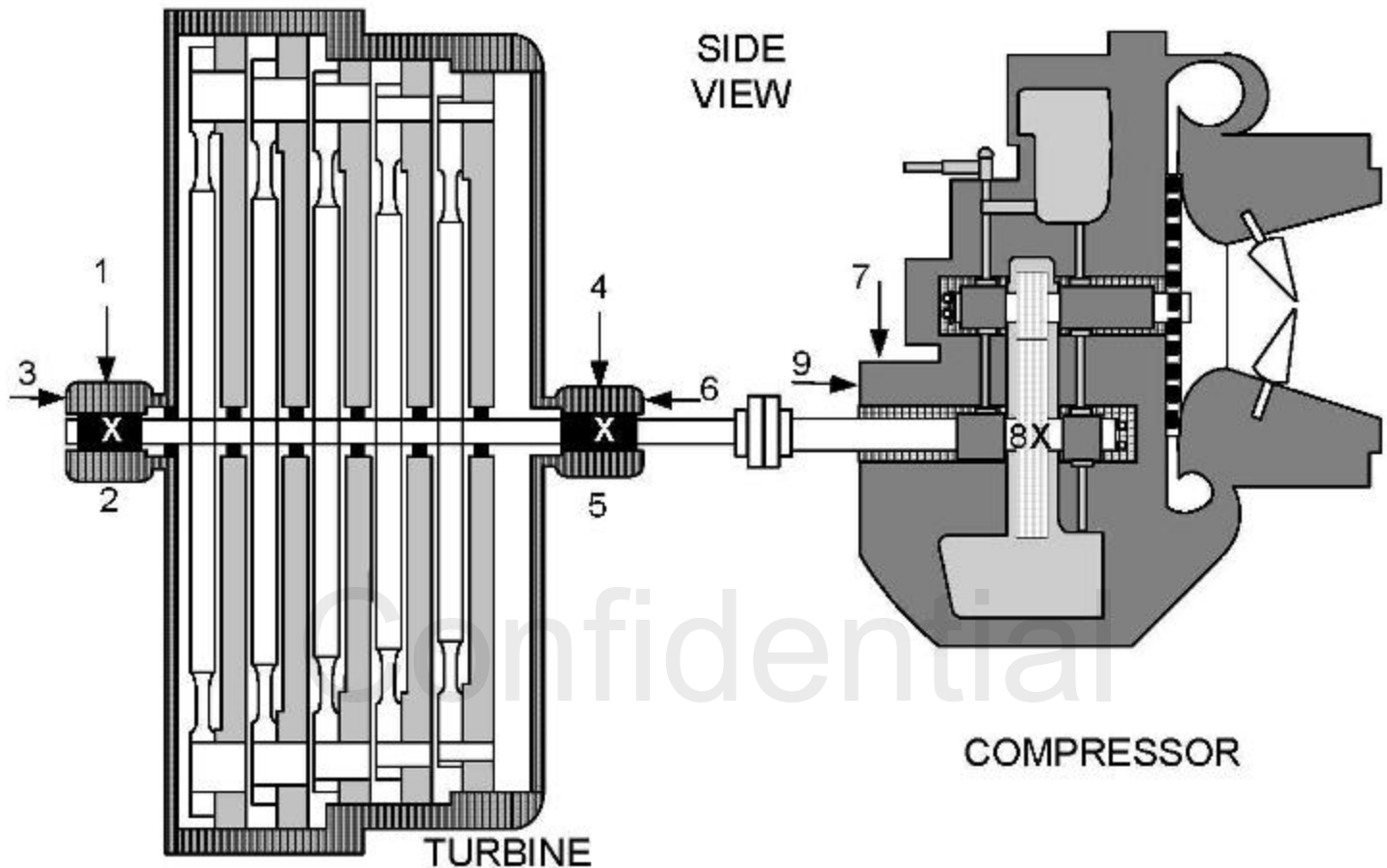
# York YS7



## MEASUREMENT POINTS

- |                      |                       |
|----------------------|-----------------------|
| 1 - MOTOF Vertical   | 7 - COMIB Vertical    |
| 2 - MOTOF Horizontal | 8 - COMIB Horizontal  |
| 3 - MOTOF Axial      | 9 - COMIB Axial       |
| 4 - MOTDR Vertical   | 10 - COMOB Vertical   |
| 5 - MOTDR Horizontal | 11 - COMOB Horizontal |
| 6 - MOTDR Axial      | 12 - COMOB Axial      |

# York YST

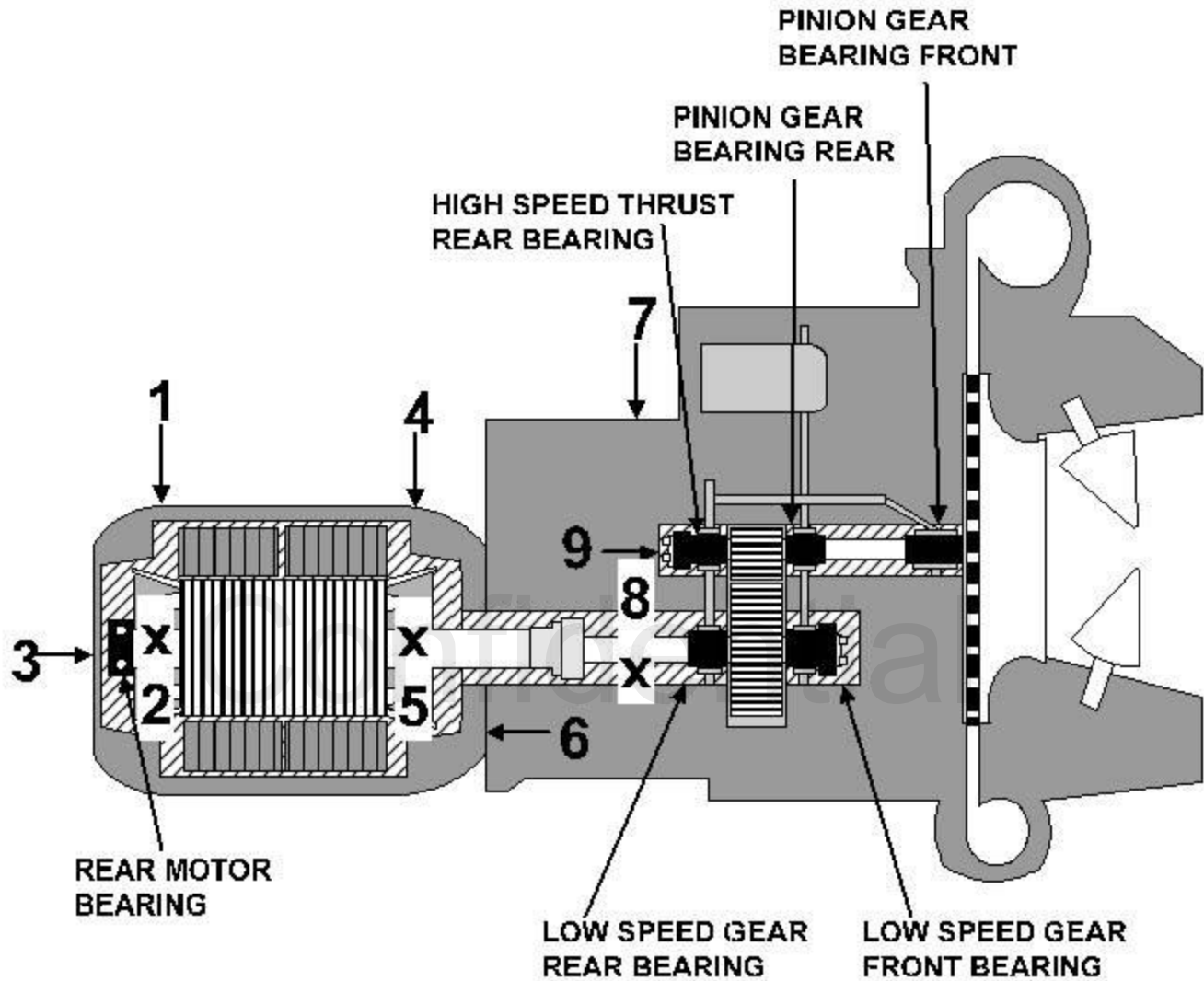


**\*SENSOR MOUNTING TABS REQUIRED**

## MEASUREMENT POINTS

- |                                  |                                    |
|----------------------------------|------------------------------------|
| 1 - Turbine Off-end Vertical     | 7 - Compressor In-board Vertical   |
| 2 - Turbine Off-end Horizontal   | 8 - Compressor In-board Horizontal |
| 3 - Turbine Off-end Axial        | 9 - Compressor in-board Axial      |
| 4 - Turbine Drive-end Vertical   |                                    |
| 5 - Turbine Drive-end Horizontal |                                    |
| 6 - Turbine Drive-end Axial      |                                    |

# YORK YT(1)

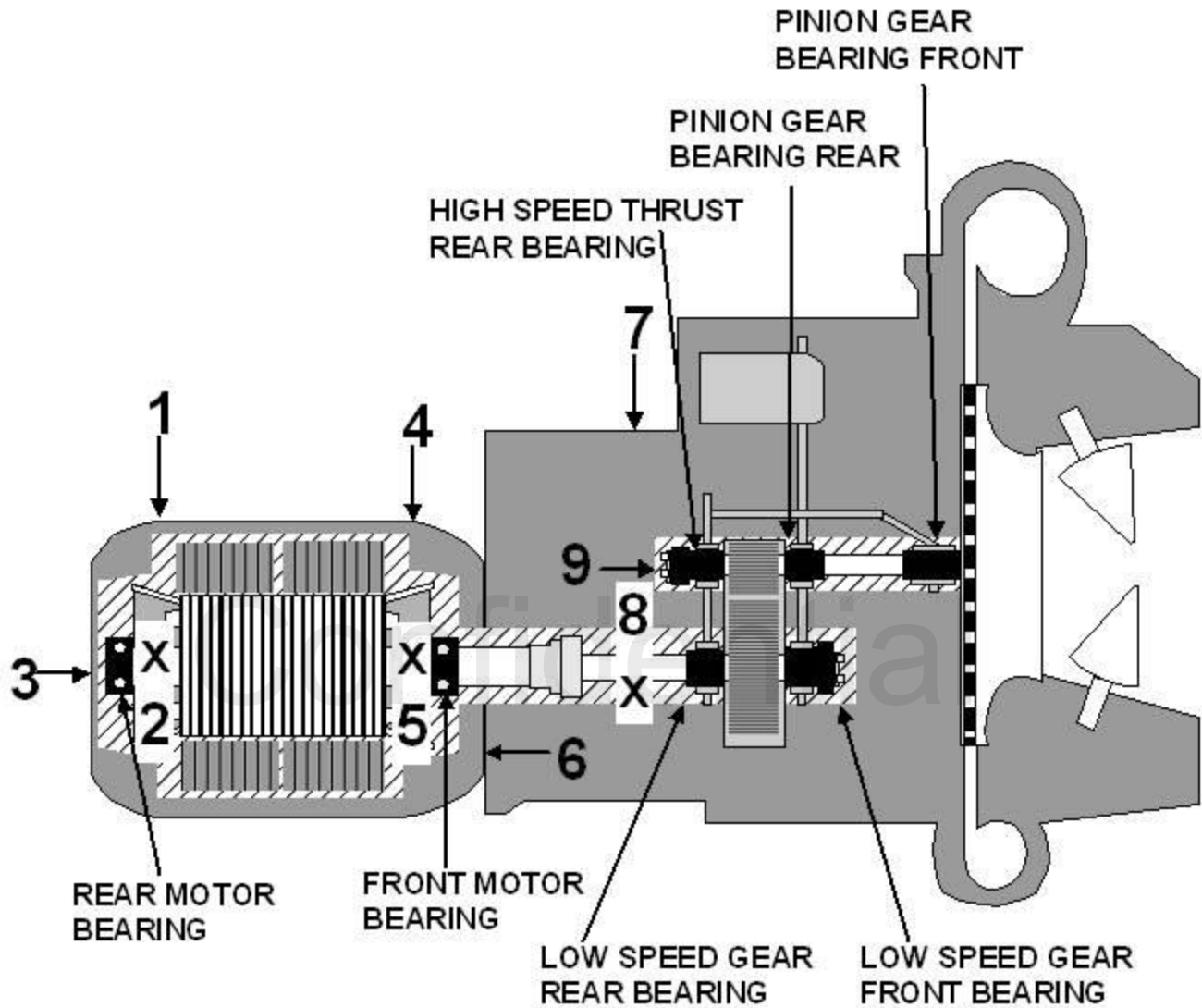


**\*SENSOR MOUNTING TABS REQUIRED**

## MEASUREMENT POINTS

- |                      |                           |
|----------------------|---------------------------|
| 1 - Motor Vertical   | 6 - Mocom Axial           |
| 2 - Motor Horizontal | 7 - Compressor Vertical   |
| 3 - Motor Axial      | 8 - Compressor Horizontal |
| 4 - Mocom Vertical   | 9 - Compressor Axial      |
| 5 - Mocom Horizontal |                           |

# YORK YT



**\*SENSOR MOUNTING TABS REQUIRED**

## MEASUREMENT POINTS

- |                      |                           |
|----------------------|---------------------------|
| 1 - Motor Vertical   | 6 - Mocom Axial           |
| 2 - Motor Horizontal | 7 - Compressor Vertical   |
| 3 - Motor Axial      | 8 - Compressor Horizontal |
| 4 - Mocom Vertical   | 9 - Compressor Axial      |
| 5 - Mocom Horizontal |                           |