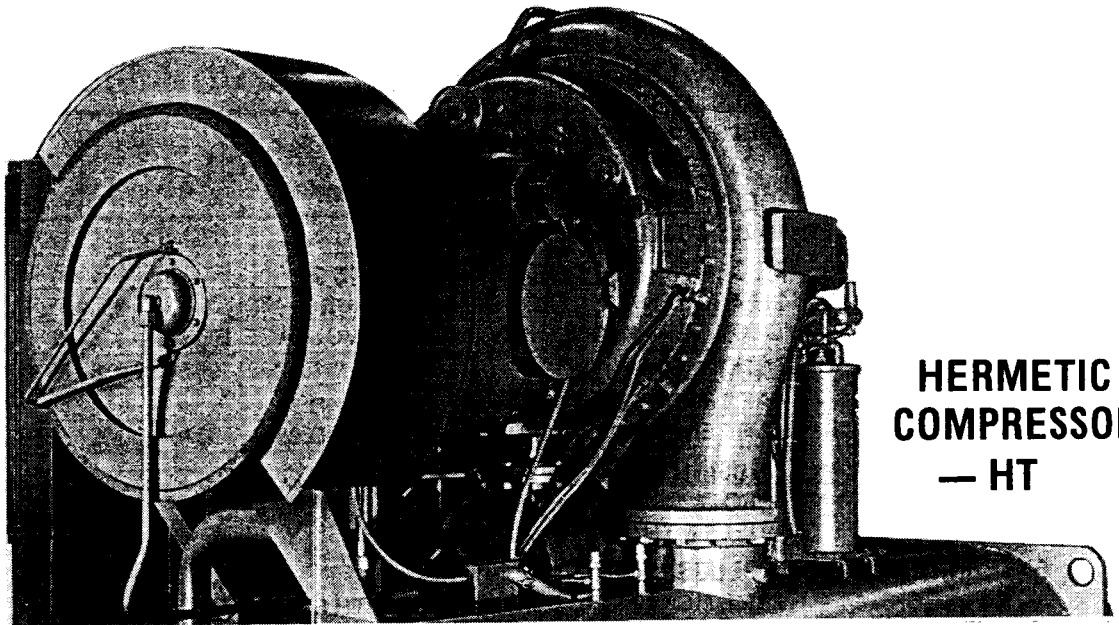




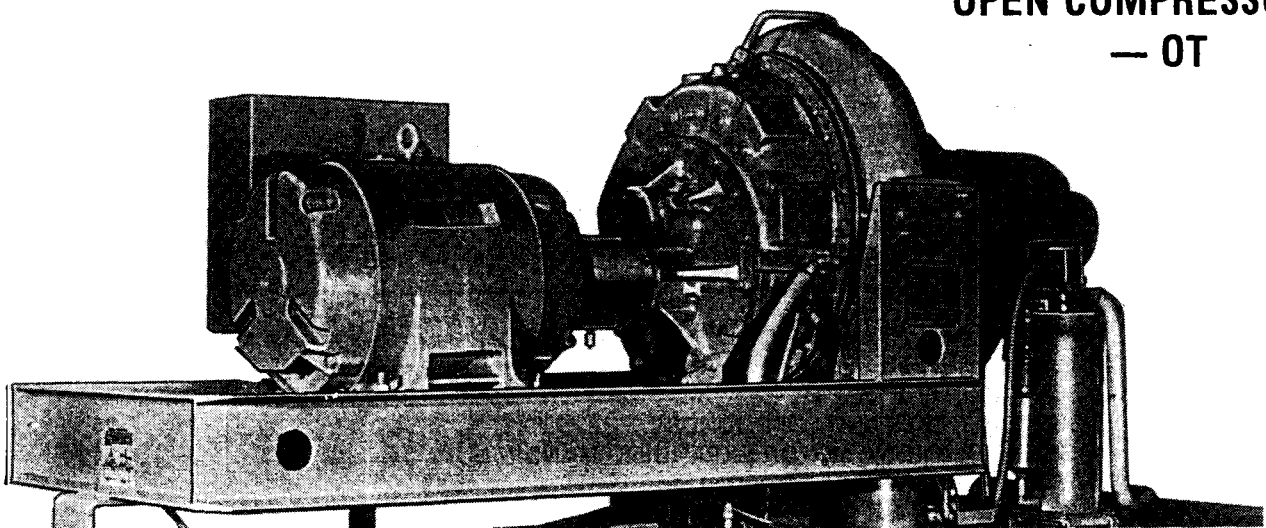
**HERMETIC COMPRESSOR — MODELS MTH 67 TO MTH 95
OPEN COMPRESSOR — MODELS LTH 67 TO LTH 95**

**FOR
COOLING AND HEAT RECOVERY**

**MODELS HT/OT A1 B1 TO HT/OT F3 S3 C2 [STYLE B]
150 TO 400 TONS**



**HERMETIC
COMPRESSOR
— HT**

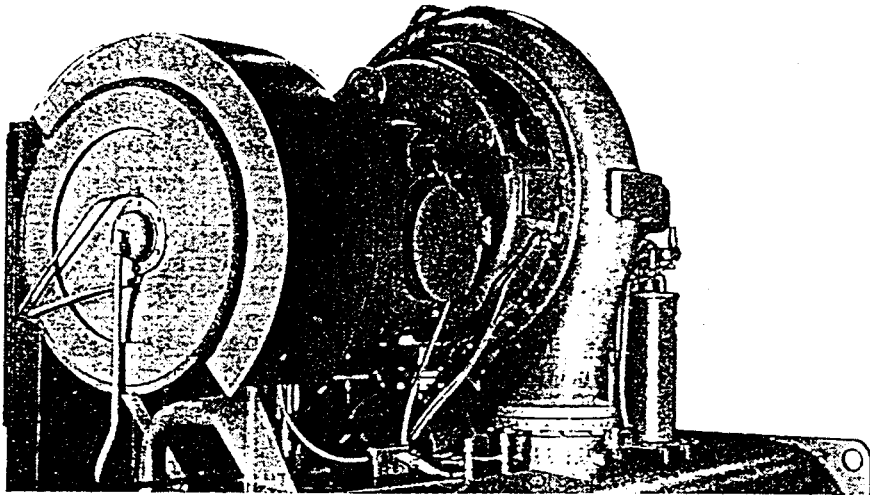


**OPEN COMPRESSOR
— OT**

TABLE OF CONTENTS

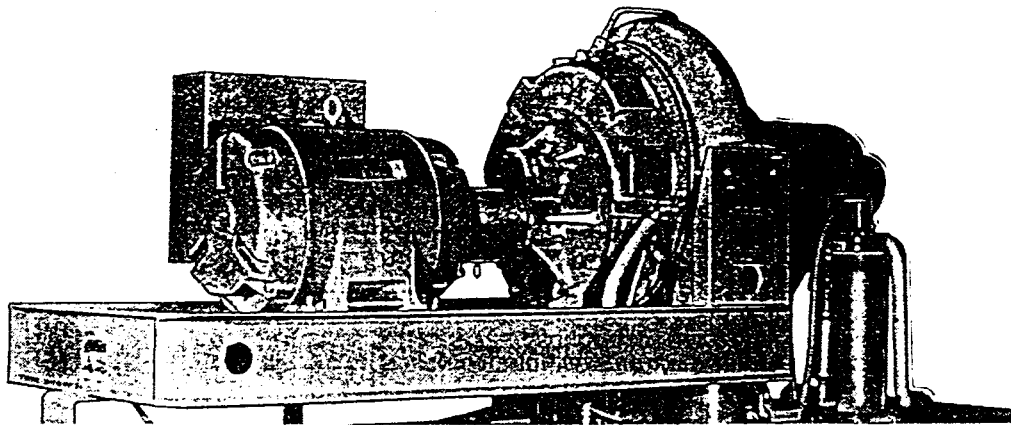
COMPRESSOR MODEL AND PART NUMBERS	3
HERMETIC COMPRESSOR	3
OPEN COMPRESSOR	3
COMPRESSOR – HERMETIC AND OPEN COMMON PARTS LIST	4–7
HERMETIC COMPRESSOR – FIG. 1 – CUTAWAY VIEW – MTH 67, 76, 85 AND 95	
MOTOR SECTION	8
COMPRESSOR SECTION	9
VARIABLE PARTS LIST – HERMETIC AND OPEN COMPRESSOR	
TABLE 1 – MODELS MTH 67 AND 76	10
TABLE 1 – MTH 76 OPEN AND TABLE 2 – LTH 67 AND 76 OPEN COMPRESSORS	11
OPEN COMPRESSOR – FIG. 2 – CUTAWAY VIEW – LTH 67, 76, 85 AND 95	12
VARIABLE PARTS LIST – OPEN COMPRESSOR	
TABLE 3 – MODELS MTH 85 AND 95	13
TABLE 4 – MODELS LTH 85 AND 95	13
EMERGENCY OIL RESERVOIR	
FIG. 3 – MODELS MTH/LTH 67 AND 76	14
FIG. 4 – MODELS MTH/LTH 85 AND 95	14
PRV LINKAGE – EXTERNAL AND INTERNAL PARTS	
FIG. 5 – MODELS MTH/LTH 67 AND 76	15
FIG. 6 – MODELS MTH/LTH 85 AND 95	15
SECTION “B–B”	
FIG. 7 – MODELS MTH 67 AND 76	16
FIG. 8 – MODELS MTH 85 AND 95	16
HERMETIC MOTOR – MODELS MTH 67 AND 76, MTH 85 AND 95	
FIG. 9 – HIGH AND LOW VOLTAGE SENSOR WIRING	17
FIG. 10 – MOTOR TERMINALS HIGH AND LOW VOLTAGE	17
OPEN COMPRESSOR – SHAFT END VIEW	
FIG. 11 – SHAFT END VIEW – MODELS LTH 67 AND 76	18
FIG. 12 – SHAFT END VIEW – MODELS LTH 85 AND 95	18
PREROTATION VANE HOUSING PARTS	
FIG. 13 – PREROTATION VANE ASSEMBLY	19
MODELS MTH/LTH 67, 76, 85 AND 95	
EXTERNAL PIPING AND PLUGS	
FIG. 14 – HERMETIC COMPRESSOR MODELS MTH 67 AND 76.	20
FIG. 15 – HERMETIC COMPRESSOR MODELS MTH 85 AND 95.	20
FIG. 16 – OPEN COMPRESSOR MODELS LTH 67 AND 76	20
FIG. 17 – OPEN COMPRESSOR MODELS LTH 85 AND 95	20
HERMETIC MOTOR CURRENT TRANSFORMER ASSEMBLY (ELECTRO–MECHANICAL STARTED UNITS)	
FIG. 18 – CURRENT TRANSFORMER – LOW VOLTAGE	21
FIG. 19 – CURRENT TRANSFORMER – HIGH VOLTAGE	21
OIL SUMP ASSEMBLY	
FIG. 20 – OIL SUMP CUTAWAY VIEW	22
FIG. 21 – OIL PUMP ASSEMBLY	22
COUPLINGS – OPEN TYPE MODELS LTH 67, 76, 85 AND 95	
FIG. 22 – COUPLING OPEN TYPE – MODELS LTH 67, 76, 85 AND 95	23
FIG. 23 – COUPLING GUARD – MODELS LTH 67, 76, 85 AND 95.	23
PRV – ACTUATORS	
FIG. 24 – ELECTRIC – PRV ACTUATORS	24
SPECIAL TOOLS AND SUPPLIES	
TOOLS – KIT PARTS	24
LUBRICANT OILS AND COMPOUNDS	24
FIG. 25 – HERMETIC MOTOR EXPANDING MANDREL	24
BAR JUMPER (LOW VOLTAGE ONLY).	24

COMPRESSOR MODEL AND PART NUMBERS



HERMETIC COMPRESSOR — MTH 67, 76, 85 & 95

Compressor Code	Motor Code	Compr. Model	60 HZ Low Voltage	60 HZ High Voltage	50/60 HZ Low Voltage	50/60 HZ High Voltage	50 HZ Low Voltage	50 HZ High Voltage	Common Parts Page	Variable Parts Page
B1	BA, BB	MTH-67	364-46184-002	————	364-46184-003	————	364-46184-006	————	4-7	10
B2	BA, BB	MTH-76	364-46184-004	————	364-46184-007	364-41184-005	————	————	4-7	10
	BC	MTH-76	364-46184-008	364-46184-005	————	————	364-46184-010	364-56184-011	4-7	10
C1	BB	MTH-85	364-46149-009	————	————	364-46149-003	364-46149-001	————	4-7	11
	BC	MTH-85	364-46149-002	364-46149-003	————	————	364-46149-006	364-46149-012	4-7	11
	BD	MTH-85	————	————	364-46149-006	364-46149-012	————	————	4-7	11
C2	BC	MTH-95	364-46149-004	364-46149-005	————	————	364-46149-007	364-46149-008	4-7	11
	BD, BE	MTH-95	————	————	364-46149-007	364-46149-008	————	————	4-7	11



OPEN COMPRESSOR — LTH 67, 76, 85 & 95

Compressor Code	Compressor Model	Part Number	Common Parts Page Number	Variable Parts Page Number
B1	LTH-67	364-46201-002	4-7	10
B2	LTH-76	364-46201-003	4-7	10
C1	LTH-85	364-46202-002	4-7	11
C2	LTH-95	364-46202-003	4-7	11

Compressor Common Parts List

Item	Part Description	HERMETIC MTH 67 & 76		OPEN LTH 67 & 76		HERMETIC MTH 85 & 95		OPEN LTH 85 & 95	
		Part No.	Quan.	Part No.	Quan.	Part No.	Quan.	Part No.	Quan.
1	Support, Rotor w/Bearing Housing	364-46133	1	464-46203	1	464-46134	1	464-46204	1
2	Pin, Dowel 1/2 Dia. x 3/8 Lg.	029-10646	3	029-10646	3	029-10646	3	029-10646	3
3	Screw, Cap 12 Pt. 1/2-13 UNC x 1-1/2 Lg.	021-11933	3	—	—	464-11933	3	—	—
4	Screw, Cap Hex Hd. 1/2-13 UNC x 1-3/4 Lg.	—	—	021-02751	16	—	—	021-02751	16
5	Plug, Hex Hd.	—	—	*064-46282	1	—	—	*064-46282	1
6	Seal "O" Ring .301 x .064 Thick	—	—	*028-07519	1	—	—	*028-07519	1
7	Cover, High Speed Thrust	*064-46122	1	*064-46122	1	*064-46122	1	*066-46122	1
8	Seal, "O" Ring 3-7/8 I.D. x 1/8 Seat	*028-04352	1	*028-04352	1	*028-04352	1	*028-04352	1
9	Seal, "O" Ring 3/8 I.D. x 1/16 Seat	*028-08811	1	*028-0811	1	*028-0811	1	*028-0811	1
10	Plug, Pipe 1/8 NPTE Hex Soc. Hd.	*023-01970	2	*023-01970	2	*023-01970	2	*023-01970	2
11	Collar, H.S. Thrust	*064-46130	1	*064-46130	1	*064-46130	1	*064-46130	1
12	Screw, Cap Hex Hd. 1/2-13 UNC x 1-1/4 Lg.	*021-01567	1	*021-01567	1	*021-01567	1	*021-01567	1
13	Pin, Insert 3/16 Dia. x 3/8 Lg.	*029-03991	2	*029-03991	2	029-03991	2	*029-03991	2
14	Screw, Cap Hex Hd. 3/8-16 UNC x 1-1/4 Lg.	021-01485	15	021-01485	15	021-01485	9	021-01485	9
15	Washer, Plain	021-01274	13	021-01274	9	021-01274	10	021-01274	6
16	Bearing, Thrust	*064-46127	1	*064-46127	1	*064-46127	1	*064-46127	1
17	Pin, Insert 3/32 Dia. x 3/8 Lg.	*029-04551	3	*029-04551	3	*029-04551	3	*029-04551	3
18	Gears, High Speed & Low Speed	See Nameplate	1	See Nameplate	1	See Nameplate	1	See Nameplate	1
19	Bearing, Pinion Gear	*064-46885	2	*064-46885	2	*064-46885	2	*064-46885	2
20	Screw Cap 12 Pt. Hd. 1/4-20 x 1/2 Lg.	021-11970	2	021-11970	2	021-11970	2	021-11970	2
21	BRG. RETAINER	*064-46886	2	*064-46886	2	*064-46886	2	*064-46886	2
22	Impeller	See Page 10 Table 1, Item 207	1	See Page 11 Table 2, Item 207	1	See Page 13 Table 3, Item 207	1	See Page 13 Table 4, Item 207	1
23	Washer, Impeller	064-46146	1	064-46146	1	064-46146	1	064-46146	1
24	Screw, Cap 12 Pt. Hd. 1/2-20 UNF x 2-1/2 Lg.	021-15683	5	021-15683	5	—	—	—	—
	Screw, Cap 12 Pt. Hd. 1/2-20 UNF x 4" Lg.	—	—	—	—	021-12165	5	021-12165	5
25	Washer, Flat Spring	064-12887	1	064-12887	1	064-21429	1	064-21429	1
26	Ring, Retaining Internal	029-05601	1	029-05601	1	029-08600	1	029-08600	1
27	Ring, Seal	*064-20435	1	*064-20435	1	*064-46185	1	*064-46185	1
28	Plate, Oil Separator	064-46166	1	064-46166	1	064-46168	1	064-46168	1
29	Screw, Cap Hex Hd. 3/8-16 x 1-3/4 Lg.	—	—	—	—	021-01505	32	021-01505	32
30	Seal "O" Ring 18 I.D. x 1/8 Sect.	*028-08162	1	*028-08162	1	—	—	—	—
	Seal "O" Ring 24,347 I.D. x .139 Sect.	—	—	—	—	*028-10088	1	*028-10088	1
31	Cover, Low Speed Thrust	*064-46128	1	*064-46128	1	*064-46126	1	*064-46126	1
32	Clip Retainer, Low Speed Thrust	—	—	—	—	064-46141	3	064-46141	3
33	Ball, Steel (8-B) .173 Dia.	*029-17369	1	*029-17369	1	*029-17369	1	*029-17369	1
34	Seal, "O" Ring 1/8 I.D. x 1/16 Sect.	*028-10058	1	*028-10058	1	*028-10058	1	*028-10058	1
35	Collar, Thrust Low Speed	*064-46165	1	*064-46165	1	*064-46132	1	*064-46132	1
36	Screw, Cap 12 Pt. Hd. 5/16-24 x 1-3/4 Lg.	*021-11532	1	*021-11532	1	*021-11532	1	*021-11532	1
37	Bearing, Gear, Front Low Speed	*064-46123	1	*064-46123	1	*064-46124	1	*064-46124	1
38	Bearing, Gear, Rear Low Speed	*064-46148	1	*064-46206	1	*064-46148	1	*064-46206	1
39	Seal "O" Ring, 5/8 I.D. x 3/32 Sect.	*028-04665	1	*028-04665	1	*028-04665	1	*028-04665	1
40	Ring, Shaft Seal, Low Speed	*064-46150	1	—	—	*064-46150	1	—	—
	Cover, Seal, Low Speed	—	—	064-46207	1	—	—	064-46207	1
41	Screw, Cap Hex Hd. 3/8-16 x 1 Lg.	—	—	021-01433	4	—	—	021-01433	4
42	Seal, "O" Ring 4 I.D. x 1/8 Sect.	—	—	028-04349	1	—	—	028-04349	1
43	Spring, Helical	—	—	029-11568	1	—	—	029-11568	1
		—	—	-003	—	—	—	-003	—
44	Seal, "O" Ring 2-1/8 I.D. x 3/16 Sect.	—	—	028-04519	2	—	—	028-04519	2
45	Ring, Shaft Seal	—	—	064-15385	1	—	—	064-15385	1
		—	—	-010	—	—	—	-010	—
46	Collar, Shaft Seal	—	—	064-12318	1	—	—	064-12318	1
		—	—	-009	—	—	—	-009	—
47	Plug, "O" Ring, 9/16-18 UNF	023-07158	1	023-07158	1	023-07158	1	023-07158	1
48	GASKET	064-16871	1	064-16871	1	064-16871	1	064-16871	1
49	Screw, Cap Hex Hd. 1/2-13 x 2 Lg.	021-11190	16	—	—	021-11190	16	—	—
50	Screw, Cap Hex Hd. 3/8-16 x 1-1/2 Lg.	021-01497	20	021-01497	20	—	—	—	—
51	Seal, "O" Ring, 27.847 I.D. x 1/8 Sect.	*028-10102	1	*028-10102	1	—	—	—	—
	Seal, "O" Ring, 32.597 I.D. x 1/8 Sect.	—	—	—	—	*028-09998	1	*028-09998	1
52	Pin, Dowel	029-11687	2	—	—	029-11687	2	—	—
53	Nipple, Pipe 2 Sch. 40 x 3-1/2 Lg.	070-02090	1	070-02090	1	—	—	—	—
	Nipple, Pipe 2 Sch. 40 x 2-1/2 Lg.	—	—	—	—	070-02086	1	070-02086	1
54	Flange, Special	064-46070	1	064-46070	1	064-46070	1	064-46070	1
55	Oil Reservoir (Emergency)	364-46178	1	364-46178	1	364-46178	1	364-46178	1
56	Elbow, Fla. Hyd. 90° 3/4 O.D. x 3/4 UNF	023-12112	1	023-12112	1	023-12112	1	023-12112	1
57	Tube, 3/4 O.D. x .041 Wall	003-00952	A.R.	003-00952	A.R.	003-00952	A.R.	003-00952	A.R.
58	Elbow, 90° 3/4 T x 3/4 NPTE	023-10700	1	023-10700	1	023-10700	1	023-10700	1
59	Connector, 1/4 NPTE x 1/4 Tube	064-09940	1	064-09940	1	064-09940	1	064-09940	1

- ★ Bearing and Seal Kit, MTH-LTH 67 and 76, Part No. 464-46500.
- Bearing and Seal Kit, MTH-LTH 85 and 95, Part No. 464-46501.
- ▲ Motor Bearing and Seal Kit, MTH 67, 76, 85 and 95, Part No. 464-46502.
- ◎ Shaft Seal Kit, LTH 67, 76, 85 and 95, Part No. 464-46503.
- A.R.—As Required.

Compressor Common Parts List

Item	Part Description	HERMETIC MTH 67 & 76		OPEN LTH 67 & 76		HERMETIC MTH 85 & 95		OPEN LTH 85 & 95	
		Part No.	Quan.	Part No.	Quan.	Part No.	Quan.	Part No.	Quan.
60	Tube, Orifice	064-46129	1	064-46129	1	064-46129	1	064-46129	1
61	Cover, Gear Chute	064-46213	1	064-46213	1	064-46214	1	064-46214	1
62	Screw, 12 Pt. Hd. 1/4-20 x 1/2 Lg.	*021-11970	3	*021-11970	1	021-11970	3	021-11970	1
63	Plug, Hex Socket Hd. 1/2	023-01994	2	023-01994	2	023-01994	2	023-01994	2
64	Plug, Pipe Hex Soc. Hd. 1/4	023-01973	1	023-01973	3	023-01973	1	023-01973	3
65	Plug, Pipe Sq. Socket Hd. 1-1/4	023-02015	3	023-02015	3	-	-	-	-
66	Plug, Pipe Sq. Socket Hd. 1-1/2	023-02021	2	023-02021	2	023-02021	2	023-02021	2
67	Plug, Pipe 2 x 11-1/2 NPT	-	-	-	-	023-02027	1	023-02027	1
68	Cap, Seal Oil Relief	-	-	065-06394	1	-	-	065-06394	1
69	Plunger, Oil Relief Valve	-	-	064-14790	1	-	-	064-14790	1
70	Gasket, 13/16 O.D. x 5/64 Thick	-	-	028-03021	1	-	-	028-03021	1
71	Washer, 17/64 I.D. x .016 Thick	-	-	021-11973	5	-	-	061-11973	5
72	Spring, Helical	-	-	029-06143	1	-	-	029-06143	1
73	Scroll, Rotor	064-46131	1	064-46131	1	064-46145	1	064-46145	1
74	Plate, Diffuser	See Page 10 Table 1, Item 206	1	See Page 11 Table 2, Item 206	1	See Page 13 Table 3, Item 206	1	See Page 13 Table 4, Item 206	1
75	Plate, Nozzle Base	See Page 10 Table 1, Item 205	1	See Page 11 Table 2, Item 205	1	See Page 13 Table 3, Item 205	1	See Page 13 Table 4, Item 205	1
76	Screw, Cap 12 Pt. Hd. 3/8-16 x 7/8 Lg.	021-11139	6	021-11139	6	-	-	-	-
77	Screw, Cap 12 Pt. Hd. 3/8-16 x 1" Lg.	-	-	-	-	021-11149	9	021-11149	9
78	Gasket	064-20660	1	064-20660	1	064-21463	1	064-21463	1
79	Ring, Seal Impeller	See Page 10 Table 1, Item 204	1	See Page 11 Table 2, Item 203	1	See Page 13 Table 3, Item 203	1	See Page 13 Table 4, Item 203	1
80	Washer, Flat Spring	See Page 10 Table 1, Item 203	1	See Page 11 Table 2, Item 204	1	See Page 13 Table 3, Item 204	1	See Page 13 Table 4, Item 204	1
81	Ring, Retaining Oil Seal	See Page 10 Table 1, Item 208	1	See Page 11 Table 2, Item 202	1	See Page 13 Table 3, Item 208	1	See Page 13 Table 4, Item 201	1
82	Device, Pre-rotation Vane	See Page 10 Table 1, Item 201	1	See Page 11 Table 2, Item 201	1	See Page 13 Table 3, Item 202	1	See Page 13 Table 4, Item 202	1
83	Screw, Cap 12 Pt. Hd. 3/8-16 x 1-1/2 Lg.	021-11175	5	021-11175	5	021-11175	5	021-11175	5
84	Screw, Cap 12 Pt. Hd. 1/2-24 x 6" Lg.	021-11998	1	021-11998	1	021-11998	1	021-11998	1
85	Washer, Special	064-08815	1	064-08815	1	064-08815	1	064-08815	1
86	Shaft, Control	029-13581	1	029-13581	1	029-13581	1	029-13581	1
87	Cover, Shaft Control	064-13909	1	064-13909	1	064-13909	1	064-13909	1
88	Gasket	028-00781	1	028-00781	1	028-00781	1	028-00781	1
89	Seal, "O" Ring 1-1/8 I.D. x 1/8 Sect.	028-07002	2	028-07002	2	028-07002	2	028-07002	2
90	Seal, "O" Ring 1 I.D. x 1/8 Sect.	028-09303	1	028-09303	1	028-09309	1	028-09309	1
91	Lever, P.R.V. Device Internal	364-20399	1	364-20399	1	364-21442	1	364-21442	1
92	Nut, Hex 3/8"	021-00474	2	021-00474	2	-	-	-	-
93	Nut, Hex 1/2-20 UNF	-	-	-	-	021-10171	3	021-10171	3
94	Bearing Rod, End Spherical	029-08343	2	029-08343	2	029-07015	2	029-07015	2
95	Screw, Cap 12 Pt. Hd. 3/8-16 x 1-1/4 Lg.	021-11141	15	021-11141	1	021-11141	14	-	-
96	Screw, Special	-	-	-	-	064-09079	1	064-09079	1
97	Screw, Special	064-10825	1	064-10825	1	064-09078	1	064-09078	1
98	Rod, Adjustable	064-12314	1	064-12314	1	064-09080	1	064-09080	1
99	Fill Piece	064-12328	3	064-12328	3	064-09070	1	064-09070	1
100	Lockwasher, Spring	02J-10815	1	02J-10815	1	-	-	-	-
101	Pin, Cotter	021-01083	1	021-01083	1	021-01083	1	021-01083	1
102	Screw, Cap Hex Hd. 1/4-20 x 1-1/2 Lg.	021-02399	1	021-02399	1	-	-	-	-
103	Screw, Cap Hex Hd. 1/4-20 x 1" Lg.	021-11914	3	021-11914	3	021-11914	2	021-11914	4
104	Nut, Hex. 1/4-20	021-00450	16	021-00450	8	021-00450	16	021-00450	8
105	Motor, PRV	025-17174	1	025-17174	1	025-17605	1	025-17605	1
106	Screw, Cap 1/4-20 x 3/4" Lg.	021-01379	7	021-01379	3	021-01379	7	021-01379	3
107	Arm, Crank PRV	025-17073	1	025-17073	1	064-33690	1	064-33690	1
108	Screw, Set Hex Soc. Hd. 10-24 UNC x 3/8" Lg.	-	-	-	-	021-03910	1	021-03910	1
109	Link, Ext. PRV & Motor	064-28260	2	064-28260	2	064-32604	1	064-32604	1
110	Link, Ext. PRV & Motor	-	-	-	-	064-32609	1	064-32609	1
111	Lever, PRV	364-28236	1	364-28236	1	364-28236	1	364-28236	1
112	Bolt, Shoulder 1/4-20	064-28286	1	064-28286	1	064-33744	1	064-33744	1
113	Ring, Steel	064-28284	1	064-28284	1	064-29258	1	064-29258	1
114	Bolt, Shoulder 1/4-20 x 1-3/8" Lg.	064-28262	1	064-28262	1	064-28262	1	064-28262	1
115	Lockwasher, 1/4"	021-05267	2	021-05267	2	021-05267	2	021-05267	2
116	Washer, 9/32"	021-05165	4	021-05165	4	021-05165	5	021-05165	4

★ Bearing and Seal Kit, MTH-LTH 67 and 76, Part No. 464-46500.

■ Bearing and Seal Kit, MTH-LTH 85 and 95, Part No. 464-46501.

▲ Motor Bearing and Seal Kit, MTH 67, 76, 85 and 95, Part No. 464-46502.

◎ Shaft Seal Kit, LTH 67, 76, 85 and 95, Part No. 464-46503.

A.R. — As Required.

Compressor Common Parts List

Item	Part Description	HERMETIC MTH 67 & 76		OPEN LTH 67 & 76		HERMETIC MTH 85 & 95		OPEN LTH 85 & 95	
		Part No.	Quan.	Part No.	Quan.	Part No.	Quan.	Part No.	Quan.
115	Bracket, Motor Mounting	—	—	—	—	364-32605	1	364-32605	1
116	Control, Temperature (Hot)	025-15381-002	1	025-15381-002	1	025-15381-002	1	025-15381-002	1
117	Elbow Cinch, 45° 3/4" Tube x 3/4" NPTE	023-07264	2	023-07264	2	023-07264	2	023-07264	2
118	Tube, 3/4" O.D. x .049" Wall	064-46069	1	064-46069	1	064-46068	1	064-46068	1
119	Lockwasher, Spring 1/2"	—	—	—	—	021-05271	1	021-05271	1
120	Fillpiece	—	—	—	—	064-09069	1	064-09069	1
121	Compressor, Sealer GR-AVV	013-01671	A.R.	013-01671	A.R.	013-01671	A.R.	013-01671	A.R.
122	—	—	—	—	—	—	—	—	—
123	Sealant	013-01678	A.R.	—	—	013-01678	A.R.	013-1678	A.R.
124	Gasket, Hand Hole Cover	064-22039	1	—	—	064-22039	1	—	—
125	Plate, Handhole	064-21997	1	—	—	064-21997	1	—	—
126	Screw, Cap Hex Hd. 3/8"—16 x 1" Lg.	021-01477	8	—	—	021-01477	8	—	—
127	Box, Electric Oct.	025-10290	1	—	—	025-10290	1	—	—
128	Cover, Electric Box	025-10291	1	—	—	025-10291	1	—	—
129	Gasket, Handhole Cover	*070-07509	1	—	—	*070-07509	1	—	—
130	Cover, Handhole	064-46035	1	—	—	064-46035	1	—	—
131	Ring, Shaft Retainer	064-46156	1	—	—	064-46156	1	—	—
132	Plate, Retaining Ring	064-46147	1	—	—	064-46147	1	—	—
133	Ring, External Retaining	029-16865	2	—	—	029-16865	2	—	—
134	Screw, Machine 1/4"—20 x 3/4"	021-01898	4	—	—	021-01898	4	—	—
135	Key, Special	064-46186	1	—	—	064-46186	1	—	—
136	Plug, Liquid Seal	064-46144	1	—	—	064-46144	1	—	—
137	Seal "O" Ring 1-3/8" x 1/8" Sect.	028-08633	1	—	—	028-08633	1	—	—
138	Screw, Cap 12 Pt. Hd. 5/16"—18 x 1-1/2" Lg.	021-11142	4	—	—	021-11142	4	—	—
139	Washer, Conical	021-15545	4	—	—	021-15545	4	—	—
140	Plug, Stator Locking	064-12161	1	—	—	064-12161	1	—	—
141	Seal, "O" Ring 15/16" I.D. x 3/32" Sect.	028-05403	1	—	—	028-05403	1	—	—
142	Housing, Motor	See Page 10 Table 1, Item 218	1	—	—	See Page 13 Table 3, Item 219	1	—	—
143	Plug Pipe, 1/4"—18 NPTE	023-01972	2	—	—	023-01972	4	—	—
144	Support, Bearing Terminal End	064-45997	1	—	—	064-45997	1	—	—
145	Cover, Liquid Seal	See Page 10 Table 1, Item 216	1	—	—	See Page 13 Table 3, Item 239	1	—	—
146	Gasket, Cover Liquid Seal	064-45992	1	—	—	*064-45992	1	—	—
147	Screw, Cap Hex Hd. 3/8"—16 x 1" Lg.	021-01477	34	—	—	021-01477	34	—	—
148	Gasket, Bearing Support Terminal End	064-16871	1	—	—	*064-16871	1	—	—
149	Ring, Seal	064-11997	2	—	—	*064-11997	2	—	—
150	Ring, Retainer Internal	029-08498	2	—	—	029-08498	2	—	—
151	Washer, Flat Spring	064-12001	2	—	—	064-12001	2	—	—
152	Pipe Plug 1/8"—27 NPTE	023-01969	2	—	—	023-01969	2	—	—
153	Bearing, Motor	064-46155	1	—	—	*064-46155	1	—	—
154	Ring, Internal Retaining	029-13615	1	—	—	029-13615	1	—	—
155	Stator	See Nameplate	1	—	—	See Nameplate	1	—	—
156	Rotor, Hermetic Motor	See Page 10 Table 1, Item 219	1	—	—	See Page 13 Table 3, Item 217	1	—	—
157	Insulation, Thermal	See Page 10 Table 1, Item 227	2	—	—	See Page 13 Table 3, Item 235	2	—	—
158	Insulation, Thermal	See Page 10 Table 1, Item 233	1	—	—	See Page 13 Table 3, Item 229	1	—	—
159	Bar Shaft, Coupling	064-46119	2	—	—	064-46119	2	—	—
160	Strap, Cable	See Page 10 Table 1, Item 226	1	—	—	See Page 13 Table 3, Item 228	1	—	—
161	Screw, Machine Rd. Hd. Recd. 10—24 x 1/2" lg.	See Page 10 Table 1, Item 228	1	—	—	See Page 13 Table 3, Item 226	1	—	—
162	Tubing, Electrical Insulating	See Page 10 Table 1, Item 217	1	—	—	See Page 13 Table 3, Item 217	1	—	—
163	Terminal, Pushon	025-06642	4	—	—	025-06642	4	—	—
164	Varnish, Scotch Cast Resin	013-01016	A.R.	—	—	013-01016	A.R.	—	—
165	Label, Caution	See Page 10 Table 1, Item 237	1	—	—	See Page 13 Table 3, Item 201	1	—	—
166	Terminal, Electric 1/4" NPTE	025-18134	4	—	—	025-18134	4	—	—
167	Box, Terminal	364-42276	1	—	—	364-42276	1	—	—
168	Support End, Terminal Box	064-45893	1	—	—	064-45893	1	—	—
169	Screw, Cap 3/8"—16 x 5/8" Lg.	021-08333	4	—	—	021-08333	4	—	—
170	Cover, Electrical End Support	See Page 10 Table 1, Item 233	1	—	—	See Page 13 Table 3, Item 233	1	—	—

▲ Motor Bearing and Seal Kit, MTH 67, 76, 85 and 95, Part No. 464-46502.
A.R.—As Required.

Compressor Common Parts List

Item	Part Description	HERMETIC MTH 67 & 76		OPEN LTH 67 & 76		HERMETIC MTH 85 & 95		OPEN LTH 85 & 95	
		Part No.	Quan.	Part No.	Quan.	Part No.	Quan.	Part No.	Quan.
171	Screw, Cap 12 Pt. Hd. 1/4"–20 x 3/4" Lg.	See Page 10 Table 1, Item 234	4	–	–	See Page 13 Table 3, Item 234	4	–	–
172	Nut, Hex 1/4"–20 UNC	See Page 10 Table 1, Item 235	4	–	–	See Page 13 Table 3, Item 209	4	–	–
173	Label, Caution	035-01051	1	–	–	035-01051	1	–	–
174	Kit, Current Transformer	See Page 10	1	–	–	See Page 13	1	–	–
175	Adhesive	013-00852	A.R.	–	–	013-00852	A.R.	–	–
176	Terminal, Motor	See Page 10 Table 1, Item 204	A.R.	–	–	See Page 13 Table 3, Item 709	A.R.	–	–
177	Lug, Terminal	See Page 10 Table 1, Item 210	A.R.	–	–	See Page 13 Table 3, Item 210	A.R.	–	–
178	Label, Ground	See Page 10 Table 1, Item 211	A.R.	–	–	See Page 13 Table 3, Item 213	A.R.	–	–
179	Screw, Cap Hex Hd. 1/4"–20 x 1/2" Lg.	See Page 10 Table 1, Item 212	A.R.	–	–	See Page 13 Table 3, Item 211	A.R.	–	–
180	Lockwasher, 1/4"	See Page 10 Table 1, Item 213	A.R.	–	–	See Page 13 Table 3, Item 212	A.R.	–	–
181	Bracket, Terminal	See Page 10 Table 1, Item 215	A.R.	–	–	See Page 13 Table 3, Item 215	A.R.	–	–
182	Bar, Electrical Jumper	See Page 10 Table 1, Item 216	A.R.	–	–	See Page 13 Table 3, Item 220	A.R.	–	–
183	Lockwasher, Spring 3/8"	See Page 10 Table 1, Item 218	A.R.	–	–	See Page 13 Table 3, Item 225	A.R.	–	–
184	Cap, Screw Hex Hd. 3/8"–16 x 1-1/2" Lg.	See Page 10 Table 1, Item 220	A.R.	–	–	See Page 13 Table 3, Item 221	A.R.	–	–
185	Nut, Hex 3/8"	See Page 10 Table 1, Item 221	A.R.	–	–	See Page 13 Table 3, Item 222	A.R.	–	–
186	Washer, Plain 13/32" I.D.	See Page 10 Table 1, Item 222	A.R.	–	–	See Page 13 Table 3, Item 224	A.R.	–	–
187	Washer, Plain 21/32" I.D.	See Page 10 Table 1, Item 223	A.R.	–	–	See Page 13 Table 3, Item 223	A.R.	–	–
188	Adhesive, Sealing	See Page 10 Table 1, Item 223	A.R.	–	–	See Page 13 Table 3, Item 232	A.R.	–	–
189	Tube, Micarta	See Page 10 Table 1, Item 225	A.R.	–	–	See Page 13 Table 3, Item 234	A.R.	–	–
190	Label, Safety Notice	See Page 10 Table 1, Item 226	A.R.	–	–	See Page 13 Table 3, Item 229	A.R.	–	–
191	Screw, Cap Hex Hd. 5/16" UNC x 1/2" Lg.	See Page 10 Table 1, Item 227	A.R.	–	–	See Page 13 Table 3, Item 230	A.R.	–	–
192	Plate, Insulating	See Page 10 Table 1, Item 228	A.R.	–	–	See Page 13 Table 3, Item 235	A.R.	–	–
193	Lockwasher 5/16"	See Page 10 Table 1, Item 230	A.R.	–	–	See Page 13 Table 3, Item 231	A.R.	–	–
194	Tape, Fibre Glass	See Page 10 Table 1, Item 236	A.R.	–	–	See Page 13 Table 3, Item 234	A.R.	–	–
195	Insulation, Thermal 3/4" I.D. x 1/2" x 1"	See Page 10 Table 1, Item 238	A.R.	–	–	See Page 13 Table 3, Item 214	A.R.	–	–
196	Elbow, 45°, 1/2" Tube x 3/8" NPTE	023-07172	1	–	–	023-07172	1	–	–
197	Tube, 1/2" O.D. x .049" Wall x 68" Long	064-31772	1	–	–	064-31772	1	–	–
198	Connector, 1/2" Tube x 1/4" NPTE	023-08562	1	–	–	–	–	–	–
199	Elbow, 90°, 1/2" Tube x 1/4" NPTE	–	–	–	–	023-8878	1	–	–
200	Plug	026-20261	2	–	–	026-20261	2	–	–

★ Bearing and Seal Kit, MTH–LTH 67 and 76, Part No. 464-46500.

■ Bearing and Seal Kit, MTH–LTH 85 and 95, Part No. 464-46501.

▲ Motor Bearing and Seal Kit, MTH 67, 76, 85 and 95, Part No. 464-46502.

◎ Shaft Seal Kit, LTH 67, 76, 85 and 95, Part No. 464-46503.

A.R. – As Required.

HERMETIC COMPRESSOR

Models MTH 67—76 AND MTH 85—95

Motor Section

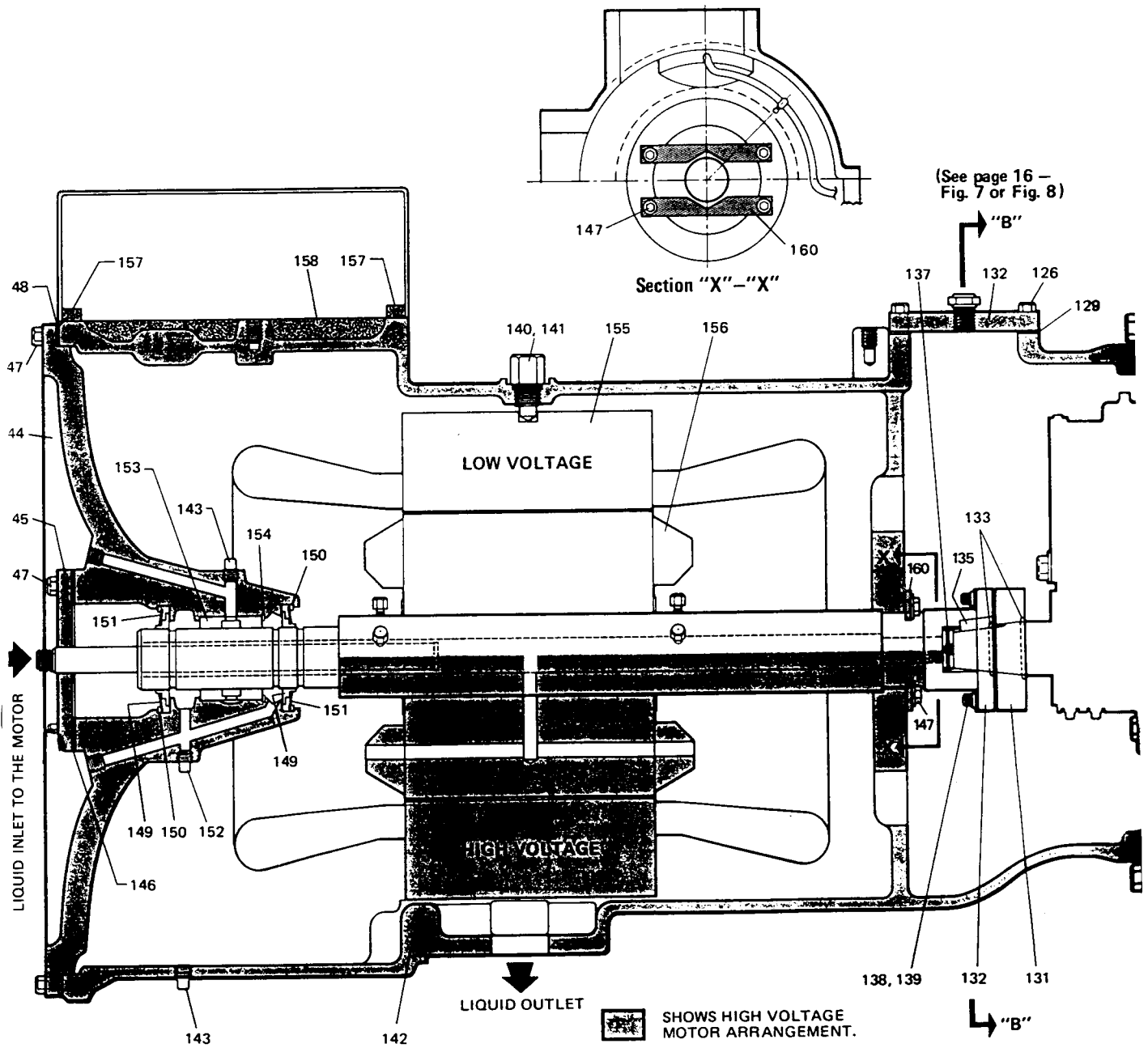
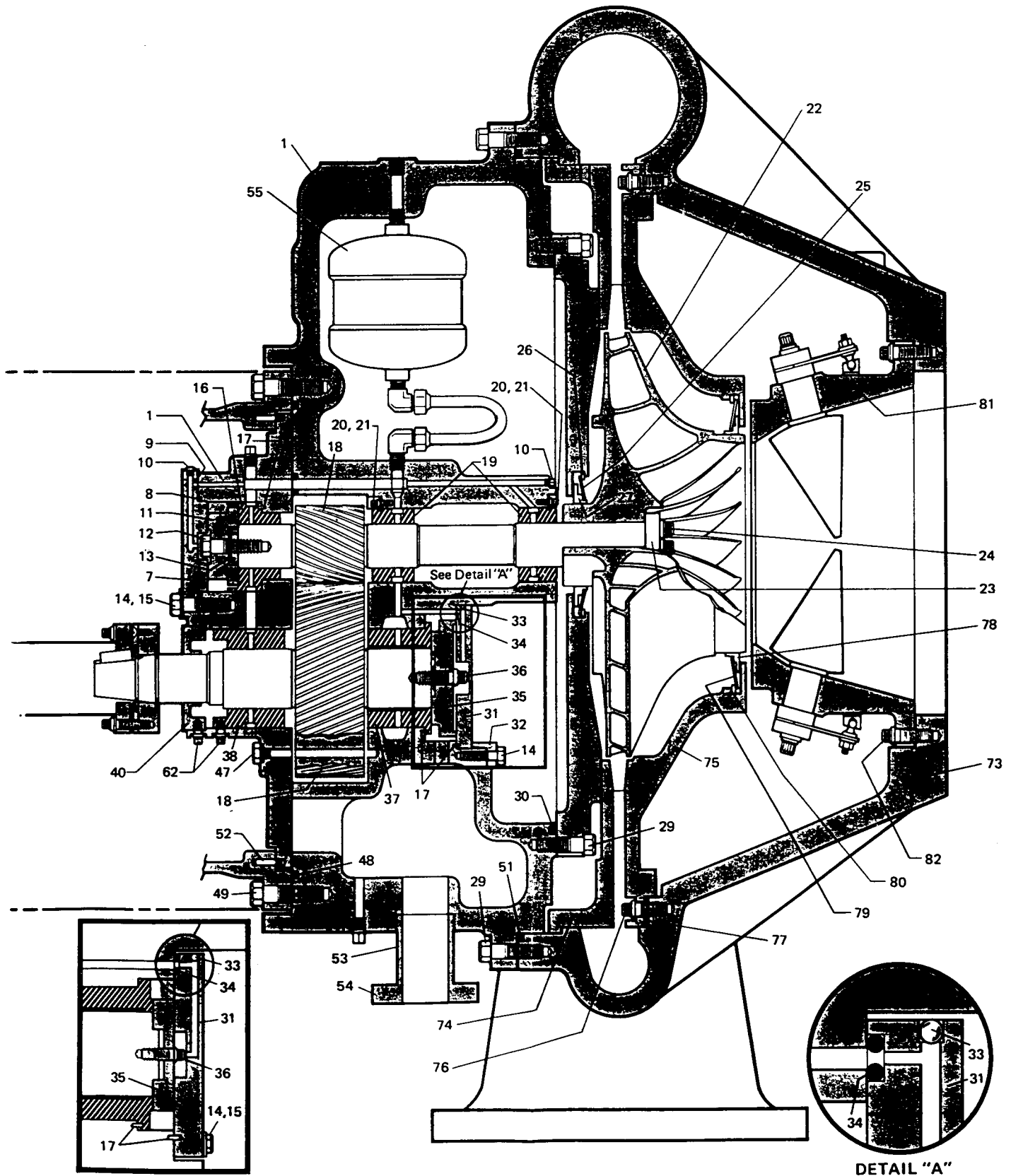


FIG. 1 — CUTAWAY VIEW — MTH 67, 76, 85 AND 95

HERMETIC COMPRESSOR

MODELS MTH 67-76 AND MTH 85-95

Compressor Section



MTH 67 AND 76

DETAIL "A"

Variable Parts — Models MTH 67 AND 76

TABLE 1 — VARIABLE PARTS — MTH 67 (HERMETIC COMPRESSOR)

Item	Description	180, 240 HP 60 HZ		180,240HP50/60HZ		180, 240 HP 60 HZ		180,240HP50/60HZ 350 HP 60 HZ		180, 240 HP 50 HZ	
		Qty.	364-46184-002 MTH-67 H.V.	Qty.	364-46184-003 MTH-67 H.V.	Qty.	364-46184-004 MTH-76 L.V.	Qty.	364-46184-005 MTH-76 H.V.	Qty.	364-46184-006 MTH-67 L.V.
200	Common Parts	1	See Pages 4-7	—	—	—	—	—	—	—	—
201	Device Pre-Rotation	1	364-15250	1	364-15250	1	364-15249	1	364-15249	1	364-15250
202	Tubing, Elect. Inc. 5/8 I.D. x 24 Lg.	—	—	1	064-31423	—	—	1	064-31423	—	—
203	Ring, Seal Impeller	1	064-20430	1	064-20430	1	064-20431	1	064-20431	1	064-20430
204	Washer, Flat Spring	1	064-06242	1	064-06242	1	064-05741	1	064-05741	1	064-06242
205	Plate, Nozzle Base	1	064-20409	1	064-20409	1	064-20410	1	064-20410	1	064-20409
206	Plate, Diffuser	1	064-11810	1	064-11810	1	064-11638	1	064-11638	1	064-11810
207	Impeller	1	064-46179	1	064-46179	1	064-46180	1	064-46180	1	064-46179
208	Ring, Ret. Oil Seal	1	064-06243	1	064-06243	1	064-05742	1	064-05742	1	064-06243
209	Terminal, Motor	6	025-18133	3	025-18133	6	025-18133	3	025-18133	6	025-18133
210	Lug, Elec.	—	—	1	025-19985	—	—	1	025-19985	—	—
211	Label, Ground	—	—	1	035-02712	—	—	1	035-02712	—	—
212	Scr., Cap Hex Hd. 1/4-20 UNC x 1/2	—	—	1	021-08379	—	—	1	021-08379	—	—
213	Lockwasher	—	—	1	021-08276	—	—	1	021-08276	—	—
214	Scr., Mach. Rd. Hd. Recd. #10-24 x 1/2	—	—	1	021-08209	—	—	1	021-08209	—	—
215	Bracket, Term.	6	064-42259	3	064-27898	6	064-42259	3	064-27898	6	064-42259
216	Bar, Elec. Jumper	3	764-95037-003	—	—	3	764-95037-003	—	—	3	764-95037-003
217	Rotor, Hermetic Motor	1	364-46191	1	364-46198	1	364-46191	1	364-46198	1	364-46190
218	Lockwasher, Spring 3/8	6	021-05247	3	021-05247	6	021-05247	3	021-05247	6	021-05247
219	Housing, Motor	1	064-46170	1	064-46153	1	064-46170	1	064-46153	1	064-46170
220	Scr., Cap Hex Hd. 3/8-16 x 1-1/4" Lg.	6	021-01485	3	021-01485	6	021-01485	3	021-01485	6	021-01485
221	Nut, Hex 3/8	6	021-00466	3	021-00466	6	021-00466	3	021-00466	6	021-00466
222	Washer, Plain 13/32 I.D.	12	021-01274	6	021-01274	12	021-01274	6	021-01274	12	021-01274
223	Washer, Plain 21/32 I.D.	—	—	3	021-01239	—	—	3	021-01239	—	—
224	Adhesive, Sealing	—	—	.010	013-02065	—	—	.010	013-02065	—	—
225	Tube, Micarta	—	—	3	064-42127	—	—	3	064-42127	—	—
226	Label, Safety Notice	1	035-03156	—	—	1	035-03156	—	—	1	035-03156
227	Scr., Cap Hex Hd. 5/16-18 UNC x 1/2	1	021-01411	—	—	1	021-01411	—	—	1	021-01411
228	Plate, Insulating	—	—	3	025-14470	—	—	3	025-14470	—	—
229	Insulation, Thermal	1	064-24462	1	064-29412	1	064-24462	1	064-29412	1	064-24462
230	Lockwasher, 5/16	1	021-08697	—	—	1	021-08697	—	—	1	021-08697
231	Strap, Cable	—	—	1	025-11098	—	—	1	025-11098	—	—
232	Cover, Elec. End Support	2	064-21502	—	—	2	064-21502	—	—	2	064-21502
233	Scr. Cap 12 Pt. Hd. 1/4-20 x 3/4 Lg.	4	021-11741	—	—	4	021-11741	—	—	4	021-11741
234	Nut, Hex 1/4-20 UNC	4	021-00450	—	—	4	021-00450	—	—	4	021-00450
235	Insulation, Thermal	2	064-24480	—	—	2	064-24480	—	—	2	064-24480
236	Tape, Glass Fibre	—	—	1Ft.	035-00131	—	—	1Ft.	035-00131	—	—
237	Label, Caution	—	—	1	035-00874	—	—	1	035-00874	—	—
238	Insulation, Thermal 3/4 I.D. x 3/4" W x 1"	6	064-46087	—	—	6	064-46087	—	—	6	064-46087
239	Cover, Liquid Seal	1	364-46121	1	364-46121	1	364-46121	1	364-46121	1	364-46121

Variable Parts — Models MTH/LTH 67 AND 76

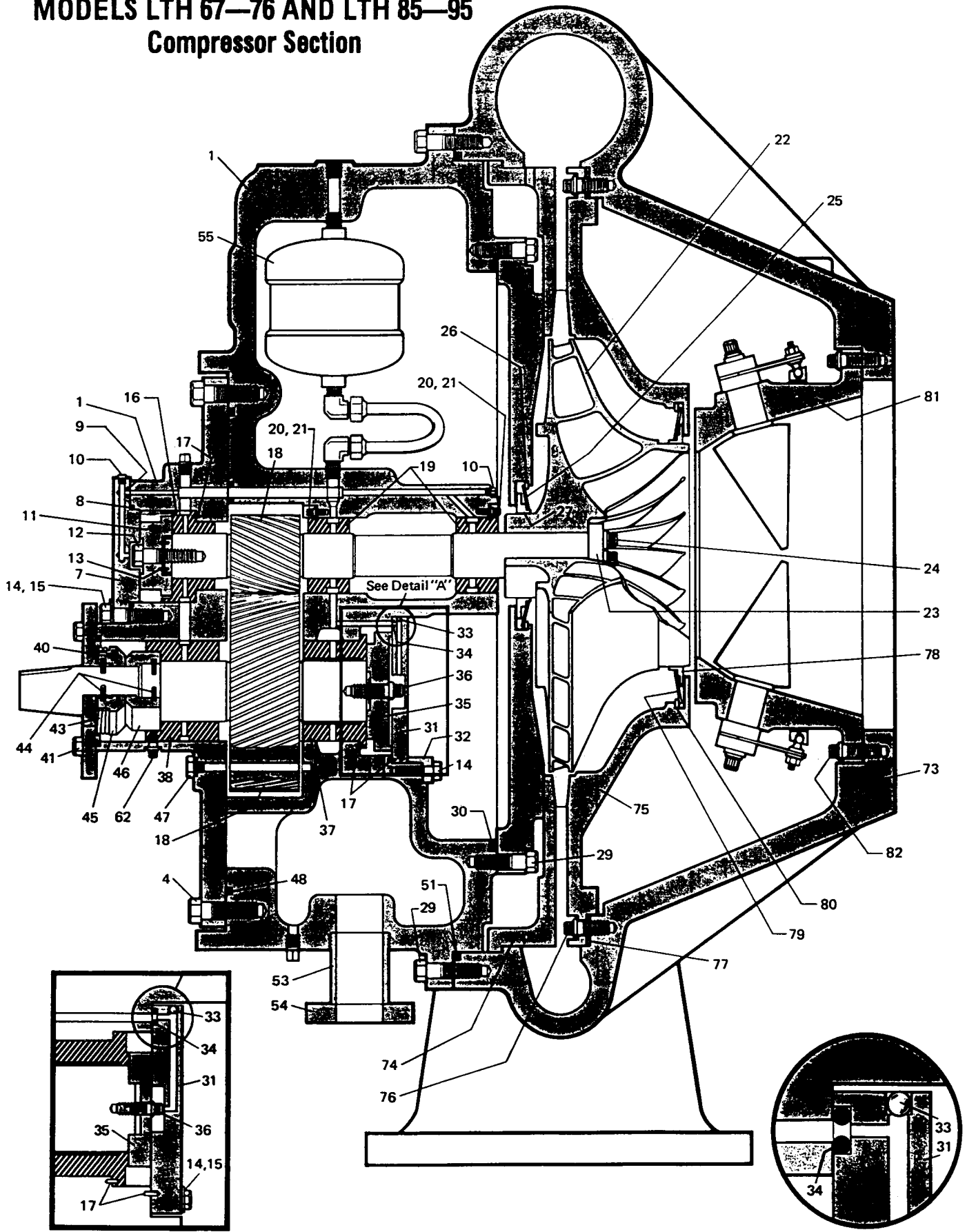
TABLE 1 — VARIABLE PARTS — MTH76 (HERMETIC COMPRESSOR)

Item	Description	180, 240 HP 50 HZ		305 HP, 60 Hertz		305 H.P. 50 Hertz			
		Qty.	364-46184-007 MTH-76 L.V.	Qty.	364-46184-008 MTH-76 L.V.	Qty.	364-46184-010 MTH-76 L.V.	Qty.	364-46184-011 MTH-76 H.V.
200	Common Parts	1	See Pages 4-7	—	—	—	—	—	—
201	Device Pre-Rotation	1	364-15249	1	364-15249	1	364-15249	1	364-15249
202	Tubing, Elect. Inc. 5/8 I.D. x 24 Lg.	—	—	—	—	—	—	1	064-31423
203	Ring, Seal Impeller	1	064-20431	1	064-20431	1	064-20431	1	064-20431
204	Washer, Flat Spring	1	064-05741	1	064-05741	1	064-05741	1	064-05741
205	Plate, Nozzle Base	1	064-20410	1	064-20410	1	064-20410	1	064-20410
206	Plate, Diffuser	1	064-11638	1	064-11638	1	064-11638	1	064-11638
207	Impeller	1	064-46180	1	064-46180	1	064-46180	1	064-46180
208	Ring, Ret. Oil Seal	1	064-05742	1	064-05742	1	064-05742	1	064-05742
209	Terminal, Motor	6	025-18133	6	025-18133	6	025-18133	3	025-18133
210	Lug, Elect.	—	—	—	—	—	—	1	025-19985
211	Label, Ground	—	—	—	—	—	—	1	035-02712
212	Scr., Cap Hex Hd. 1/4-20 UNC x 1/2	—	—	—	—	—	—	1	021-08379
213	Lockwasher	—	—	—	—	—	—	1	021-08276
214	Scr., Mach. Rd. Hd. Recd. #10-24 x 1/2	—	—	—	—	—	—	1	021-08209
215	Bracket, Term.	6	064-42259	6	064-42259	6	064-42259	3	064-27898
216	Bar, Elec. Jumper	3	764-95037-003	3	764-95037-003	3	764-95037-003	—	—
217	Rotor, Hermetic Motor	1	364-46190	1	364-46190	1	364-46164	1	364-46198
218	Lockwasher, Spring 3/8	6	021-05247	6	021-05247	6	021-05247	3	021-05247
219	Housing, Motor	1	064-46170	1	064-46136	1	064-46136	1	064-46153
220	Scr., Cap Hex Hd. 3/8-16 x 1-1/2 Lg.	6	021-01497	6	021-01497	6	021-01497	3	021-01497
221	Nut, Hex 3/8	6	021-00466	6	021-00466	6	021-00466	3	021-00466
222	Washer, Plain 13/32 I.D.	12	021-01274	12	021-01274	12	021-01274	6	021-01274
223	Washer, Plain 21/32 I.D.	—	—	—	—	—	—	3	021-01239
224	Adhesive, Sealing	—	—	—	—	—	—	.010	013-02065
225	Tube, Micarta	—	—	—	—	—	—	3	064-42127
226	Label, Safety Notice	1	035-03156	1	035-03156	1	035-03156	—	—
227	Scr., Cap Hex Hd. 5/16-18 UNC x 1/2	1	021-01411	1	021-01411	1	021-01411	—	—
228	Plate, Insulating	—	—	—	—	—	—	3	025-14470
229	Insulation, Thermal	1	064-24462	1	064-24462	1	064-24462	1	064-29412
230	Lockwasher, 5/16	1	021-08697	1	021-08697	1	021-08697	—	—
231	Strap, Cable	—	—	—	—	—	—	1	025-11098
232	Cover, Elect. End Support	2	064-21502	2	064-21502	2	064-21502	—	—
233	Scr. Cap 12 Pt. Hd. 1/4-20 x 3/4 Lg.	4	021-11741	4	021-11741	4	021-11741	—	—
234	Nut, Hex 1/4-20 UNC	4	021-00450	4	021-00450	4	021-00450	—	—
235	Insulation, Thermal	2	064-24480	2	064-24480	2	064-24480	—	—
236	Tape, Glass Fibre	—	—	—	—	—	—	1Ft.	035-00131
237	Label, Caution	—	—	—	—	—	—	1	035-00874
238	Insulation, Thermal 3/4 I.D. x 1/2 x 1	6	064-46087	6	064-46087	6	064-46087	—	—
239	Cover, Liquid Seal	1	364-46121	1	364-46121	1	364-46196	1	364-46196

TABLE 2 — VARIABLE PARTS — LTH 67 & 76 (OPEN COMPRESSOR)

Item	Description	Qty.	364-46201-002 LTH-67	Qty.	364-46201-003 LTH-76
200	Common Parts	1	See Pages 4-7	—	—
201	Device Pre-Rotation	1	364-15250	1	364-15249
202	Ring, Retaining Oil Seal	1	064-06243	1	064-05742
203	Ring, Seal Impeller	1	064-20430	1	064-20431
204	Washer, Flat Spring	1	064-06242	1	064-05741
205	Plate Nozzle Base	1	064-20409	1	064-20410
206	Plate Diffuser	1	064-11810	1	064-11638
207	Impeller	1	064-46179	1	064-46180

OPEN COMPRESSOR MODELS LTH 67—76 AND LTH 85—95 Compressor Section



LTH 67 AND 76

FIG. 2 — CUTAWAY VIEW — LTH 67, 76, 85 AND 95

DETAIL "A"

Variable Parts — Models MTH/LTH 85 AND 95

TABLE 3 — VARIABLE PARTS — 85 — 95 (HERMETIC COMPRESSOR)

Item	Description	305 HP-60 HZ		240, 305 HP-60 HZ 240 HP-50 HZ		305 HP - 60 Hertz		354 HP-60 HZ 305, 354 HP-50 HZ		305, 354 HP-50 HZ 354, 390 HP-60 HZ		305, 354 HP-50 HZ 354, 390 HP-60 HZ		240 HP-60 HZ		240 HP-50 HZ		305, 354 HP-50 HZ 354 HP-60 HZ						
		Qty.	364-46149-002 MTH-85 L.V.	Qty.	364-46149-003 MTH-85 H.V.	Qty.	364-46149-004 MTH-95 L.V.	Qty.	364-46149-005 MTH-95 H.V.	Qty.	364-46149-006 MTH-85 L.V.	Qty.	364-46149-007 MTH-95 L.V.	Qty.	364-46149-008 MTH-95 H.V.	Qty.	364-46149-009 MTH-85 L.V.	Qty.	364-46149-011 MTH-85 L.V.	Qty.	364-46149-012 MTH-85 H.V.			
200	Common Parts	1	See Pages 4-7	—	—	—	—	—	—	—	—	—	—	—	—	—	—	—	—	—	—	—		
201	Label, Caution	—	—	1	035-00874	—	—	1	035-00874	—	—	—	—	1	035-00874	—	—	—	—	—	—	1	035-00874	
202	Device, Pre-rotation	1	364-15255	1	364-15255	1	364-15266	1	364-15266	1	364-15255	1	364-15266	1	364-15266	1	364-15255	1	364-15255	1	364-15255	1	364-15255	
203	Ring, Seal Impeller	1	064-21418	1	064-21418	1	064-21417	1	064-21417	1	064-21418	1	064-21417	1	064-21417	1	064-21418	1	064-21418	1	064-21418	1	064-21418	
204	Washer, Flat Spring	1	064-05683	1	064-05683	1	064-05656	1	064-05656	1	064-05683	1	064-05656	1	064-05656	1	064-05683	1	064-05683	1	064-05683	1	064-05683	
205	Plate, Nozzle Base	1	064-21643	1	064-21643	1	064-21644	1	064-21644	1	064-21643	1	064-21644	1	064-21644	1	064-21643	1	064-21643	1	064-21643	1	064-21643	
206	Plate, Diffuser	1	064-12139	1	064-12139	1	064-12103	1	064-12103	1	064-12139	1	064-12103	1	064-12103	1	064-12139	1	064-12139	1	064-12139	1	064-12139	
207	Impeller	1	064-46181	1	064-46181	1	064-46182	1	064-46182	1	064-46181	1	064-46182	1	064-46182	1	064-46181	1	064-46181	1	064-46181	1	064-46181	
208	Ring, Retainer Oil Seal	1	064-05680	1	064-05680	1	064-05588	1	064-05588	1	064-05680	1	064-05588	1	064-05588	1	064-05680	1	064-05680	1	064-05680	1	064-05680	
209	Bolt, Terminal	6	025-18133	3	025-18133	6	025-18133	3	025-18133	6	025-18133	6	025-18133	3	025-18133	6	025-18133	6	025-18133	6	025-18133	6	025-18133	
210	Lug, Elec.	—	—	1	025-19885	—	—	1	025-19885	—	—	—	—	1	025-19885	—	—	—	—	—	—	—	1	025-19885
211	Scr. Cap, Hex Hd., 1/4-20 UNC x 1/2	—	—	1	021-08379	—	—	1	021-08379	—	—	—	—	1	021-08379	—	—	—	—	—	—	—	1	021-08379
212	Lockwasher, 1/4	—	—	1	021-08276	—	—	1	021-08276	—	—	—	—	1	021-08276	—	—	—	—	—	—	—	1	021-08276
213	Label, Ground	—	—	1	035-02712	—	—	1	035-02712	—	—	—	—	1	035-02712	—	—	—	—	—	—	—	1	035-02712
214	Insulation, Thermal 3/4 I.D. x 1/2 W x 1	6	064-46087	—	—	6	064-46087	—	—	6	064-46087	6	064-46087	—	—	6	064-46087	6	064-46087	6	064-46087	—	—	
215	Bracket, Term.	6	064-42259	3	064-27898	6	064-42259	3	064-27898	6	064-42259	6	064-42259	3	064-27898	6	064-42259	6	064-42259	6	064-42259	3	064-27898	
216	Cover, Liquid Seal	1	364-46121	1	364-46121	1	364-46121	1	364-46121	1	364-46196	1	364-46196	1	364-46121	1	364-46121	1	364-46121	1	364-46121	1	364-46196	
217	Tubing, Elec. Ins. 5/8 I.D. x 24 Lg.	—	—	1	064-31423	—	—	1	064-31423	—	—	—	—	1	064-31423	—	—	—	—	—	—	—	1	064-31423
218	Housing, Motor	1	064-46136	1	064-46153	1	064-46136	1	064-46153	1	064-46136	1	064-46136	1	064-46153	1	064-46170	1	064-46170	1	064-46170	1	064-46153	
219	Rotor, Hermetic Motor	1	364-46190	1	364-46190	1	364-46190	1	364-46198	1	364-46164	1	364-46164	1	364-46198	1	364-46191	1	364-46191	1	364-46191	1	364-46198	
220	Bar, Elec. Jumper	3	764-95037-003	—	—	3	764-95037-003	—	—	3	764-95037-003	3	764-95037-003	—	—	3	764-95037-003	3	764-95037-003	3	764-95037-003	—	—	
221	Scr. Cap Hex Hd. 3/8-16 UNC x 1-1/2 Lg.	6	021-01485	3	021-01497	6	021-01497	3	021-01497	6	021-01497	6	021-01497	3	021-01497	6	021-01497	6	021-01497	6	021-01497	3	021-01497	
222	Nut, Hex 3/8-16 UNC	6	021-00466	3	021-00466	6	021-00466	3	021-00466	6	021-00466	6	021-00466	3	021-00466	6	021-00466	6	021-00466	6	021-00466	3	021-00466	
223	Washer, Plain	—	—	3	021-01239	—	—	3	021-01239	—	—	—	—	3	021-01239	—	—	—	—	—	—	—	3	021-01239
224	Washer, Plain	12	021-01274	6	021-01274	12	021-01274	6	021-01274	12	021-01274	12	021-01274	6	021-01274	12	021-01274	12	021-01274	12	021-01274	6	021-01274	
225	Lockwasher, Spring 3/8	6	021-05247	3	021-05247	6	021-05247	3	021-05247	6	021-05247	6	021-05247	3	021-05247	6	021-05247	6	021-05247	6	021-05247	3	021-05247	
226	Scr. Mach. Rd. Hd. Recd. #10-24 x 1/2 Lg.	—	—	1	021-08209	—	—	1	021-08209	—	—	—	—	1	021-08209	—	—	—	—	—	—	—	1	021-08209
227	Insul., Thermal 3/4 x 7/8 x 40-1/2	2	064-24480	—	—	2	064-24480	—	—	2	064-24480	2	064-24480	—	—	2	064-24480	2	064-24480	2	064-24480	—	—	
228	Strap, Cable	—	—	1	025-11098	—	—	1	025-11098	—	—	—	—	1	025-11098	—	—	—	—	—	—	—	1	025-11098
229	Label, Safety Notice	1	035-03156	—	—	1	035-03156	—	—	1	035-03156	1	035-03156	—	—	1	035-03156	1	035-03156	1	035-03156	—	—	
230	Scr. Cap Hex Hd. 5/16-18 UNC x 1/2	1	021-01411	—	—	1	021-01411	—	—	1	021-01411	1	021-01411	—	—	1	021-01411	1	021-01411	1	021-01411	—	—	
231	Lockwasher, 5/16	1	021-08697	—	—	1	021-08697	—	—	1	021-08697	1	021-08697	—	—	1	021-08697	1	021-08697	1	021-08697	—	—	
232	Adhesive, Sealing	—	—	010	013-02065	—	—	010	013-02065	—	—	—	—	010	013-02065	—	—	—	—	—	—	—	010	013-02065
233	Insul., Thermal	1	064-24462	1	064-29412	1	064-24462	1	064-29412	1	064-24462	1	064-24462	1	064-29412	1	064-24462	1	064-24462	1	064-24462	1	064-29412	
234	Tube, Micarta	—	—	3	064-42127	—	—	3	064-42127	—	—	—	—	3	064-42127	—	—	—	—	—	—	—	3	064-42127
235	Plate, Insulating	—	—	3	025-14470	—	—	3	025-14470	—	—	—	—	3	025-14470	—	—	—	—	—	—	—	3	025-14470
236	Nut, Hex 1/4-20 UNC	4	021-00450	—	—	4	021-00450	—	—	4	021-00450	4	021-00450	—	—	4	021-00450	4	021-00450	4	021-00450	—	—	
237	Scr. Cap 12 Pt. Hd. 1/4-20 UNC x 3/4 Lg.	4	021-11741	—	—	4	021-11741	—	—	4	021-11741	4	021-11741	—	—	4	021-11741	4	021-11741	4	021-11741	—	—	
238	Cover, Elec. End Support	2	064-21502	—	—	2	064-21502	—	—	2	064-21502	2	064-21502	—	—	2	064-21502	2	064-21502	2	064-21502	—	—	
239	Tape, Glass Fibre	—	—	1Fl.	035-00131	—	—	1Fl.	035-00131	—	—	—	—	1Fl.	035-00131	—	—	—	—	—	—	—	1Fl.	035-00131

TABLE 4 — VARIABLE PARTS — LTH 85 — 95 (OPEN COMPRESSOR)

Item	Description	Qty.	364-46202-002 LTH-85	Qty.	364-46202-003 LTH-95
200	Common Parts	1	See Pages 4-7	—	—
201	Ring, Retaining Oil Seal	1	064-05680	1	064-05588
202	Device Pre-Rotation	1	364-15255	1	364-15266
203	Ring, Seal Impeller	1	064-21418	1	064-21417
204	Washer, Flat Spring	1	064-05683	1	064-05656
205	Plate Nozzle Base	1	064-21643	1	064-21644
206	Plate Diffuser	1	064-12139	1	064-12103
207	Impeller	1	064-46181	1	064-46182

COMPRESSOR — MODELS MTH/LTH 67 OR 76
Emergency Oil Reservoir

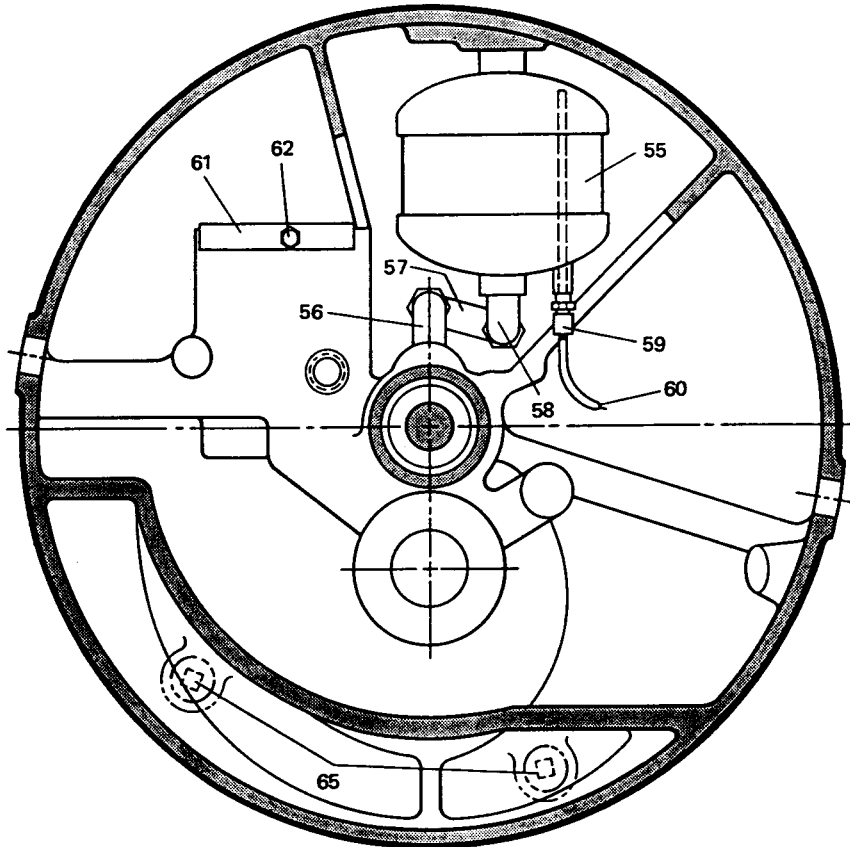


FIG. 3 — EMERGENCY OIL RESERVOIR — MODELS MTH/LTH 67 OR 76

COMPRESSOR — MODELS MTH/LTH 85 AND 95

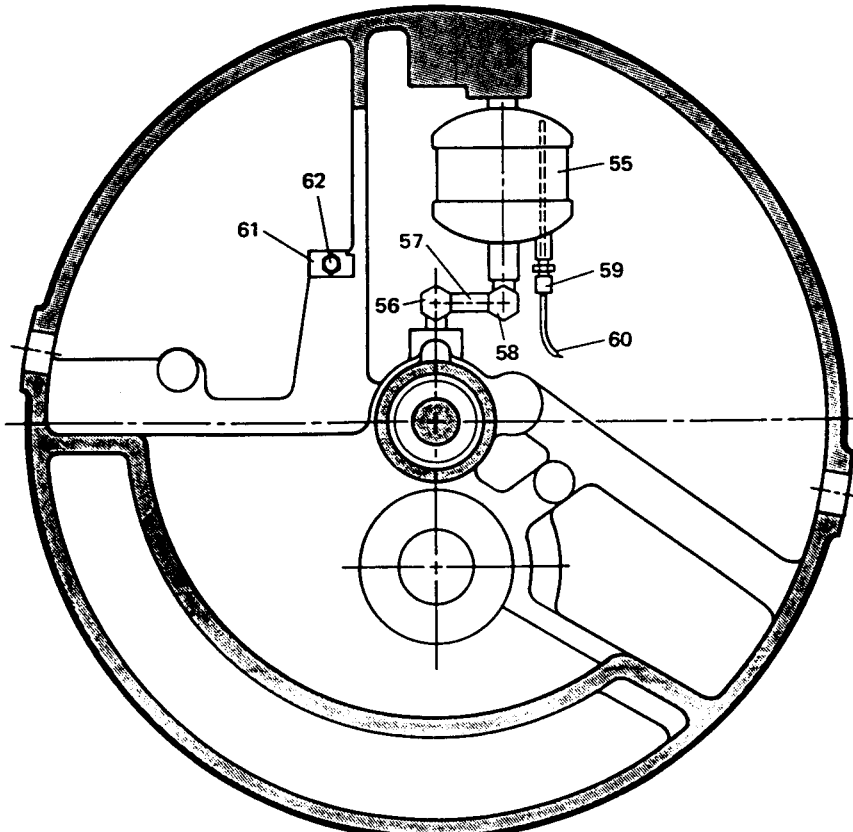


FIG. 4 — EMERGENCY OIL RESERVOIR — MODELS MTH/LTH 85 OR 95

COMPRESSOR — MODELS MTH/LTH 67 OR 76

PRV Linkage [External and Internal Parts]

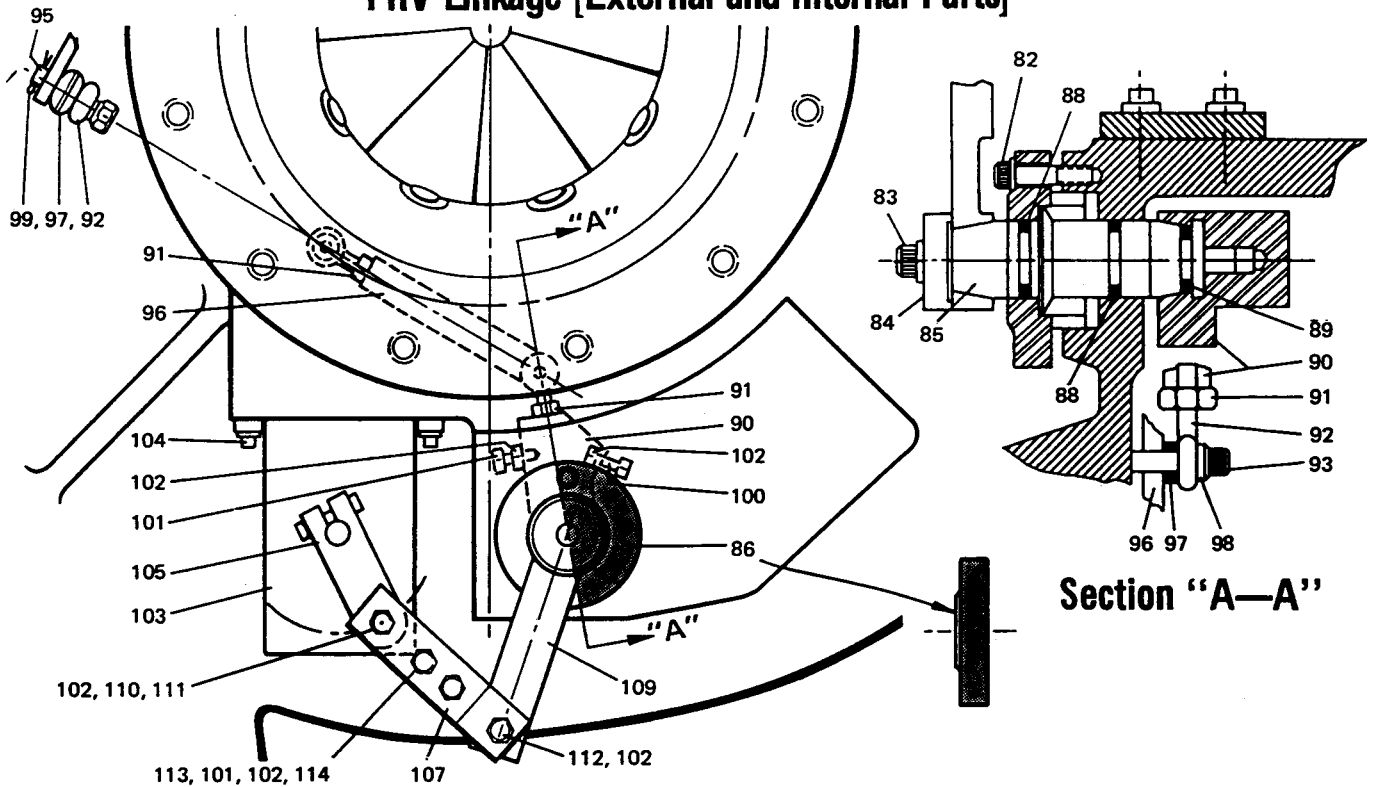


FIG. 5 — PRV LINKAGE — EXTERNAL AND INTERNAL PARTS — MODELS MTH/LTH 67 AND 76

COMPRESSOR — MODELS MTH/LTH 85 OR 95

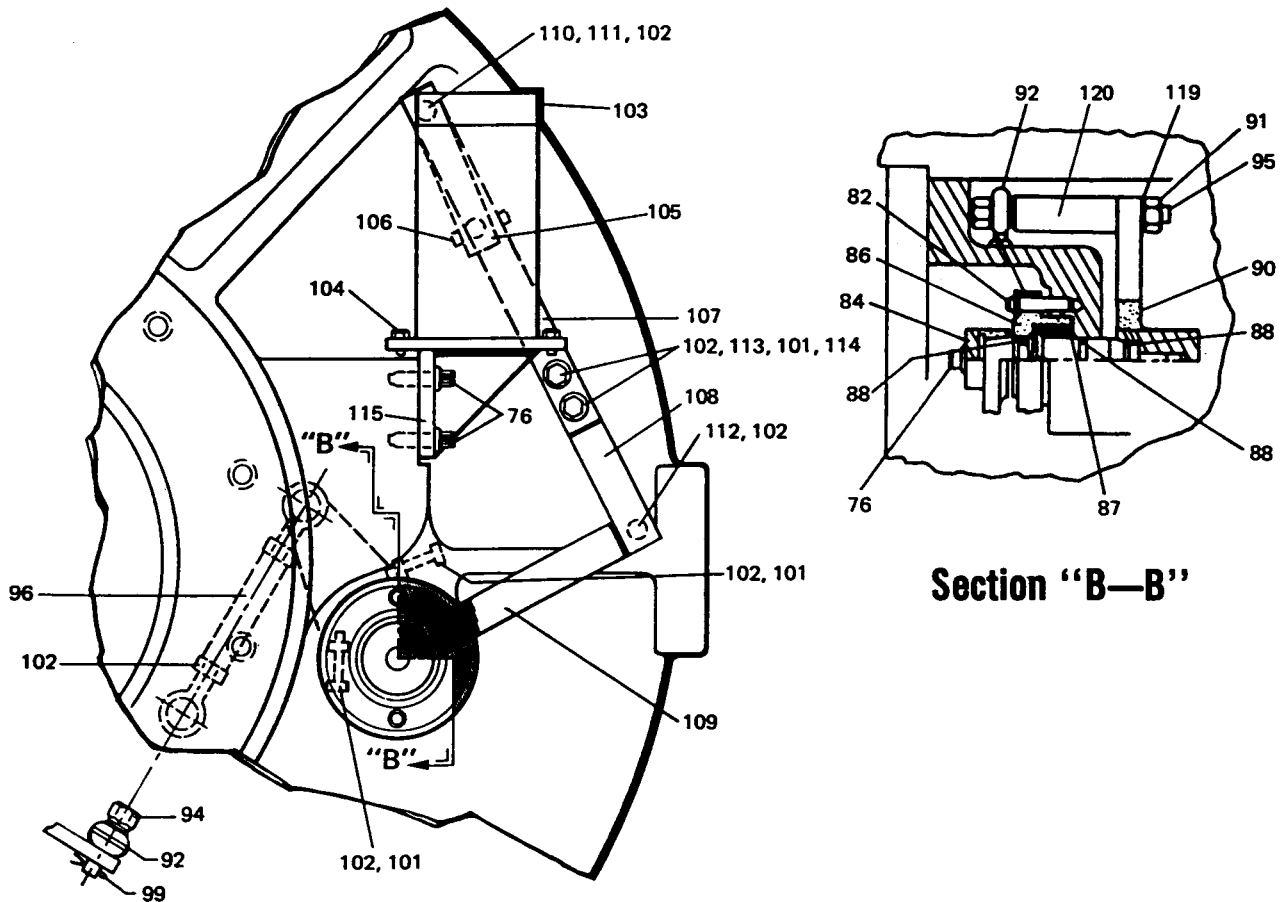


FIG. 6 — PRV LINKAGE — EXTERNAL AND INTERNAL PARTS — MODELS MTH/LTH 85 AND 95

COMPRESSOR — MTH 67 AND MTH 76

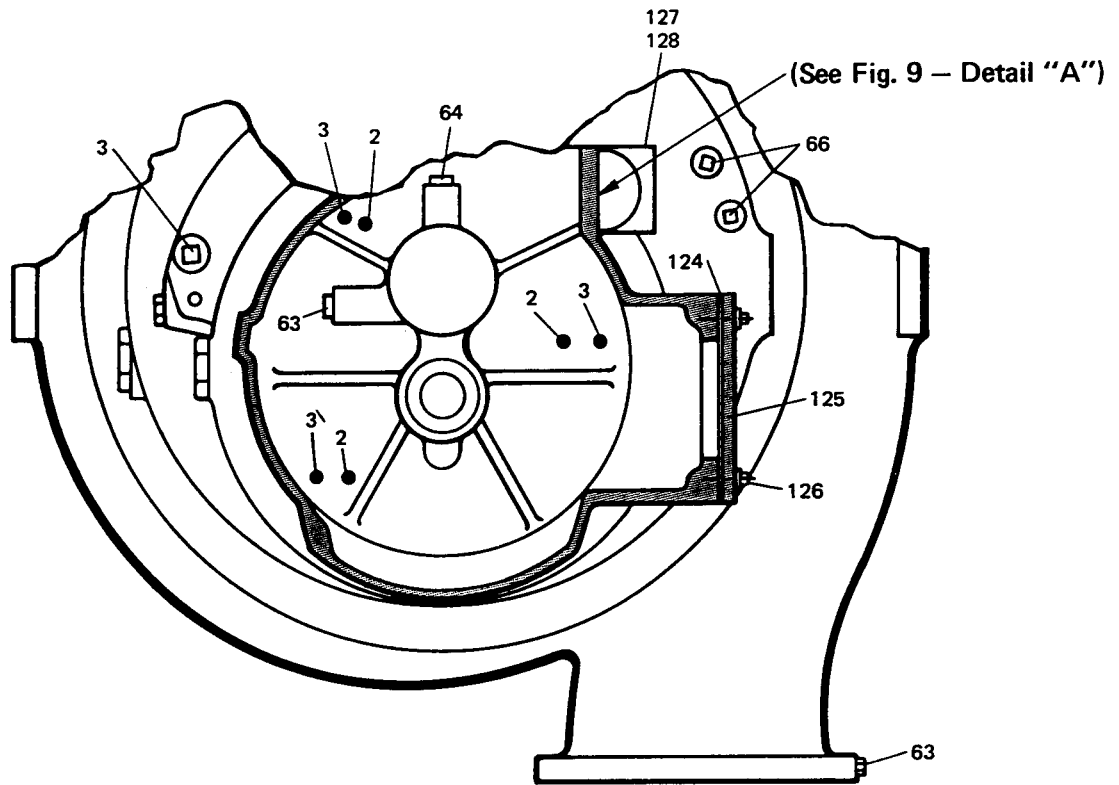


FIG. 7 — SECTION "B-B" — MODELS MTH 67 AND 76

COMPRESSOR — MTH 85 AND 95

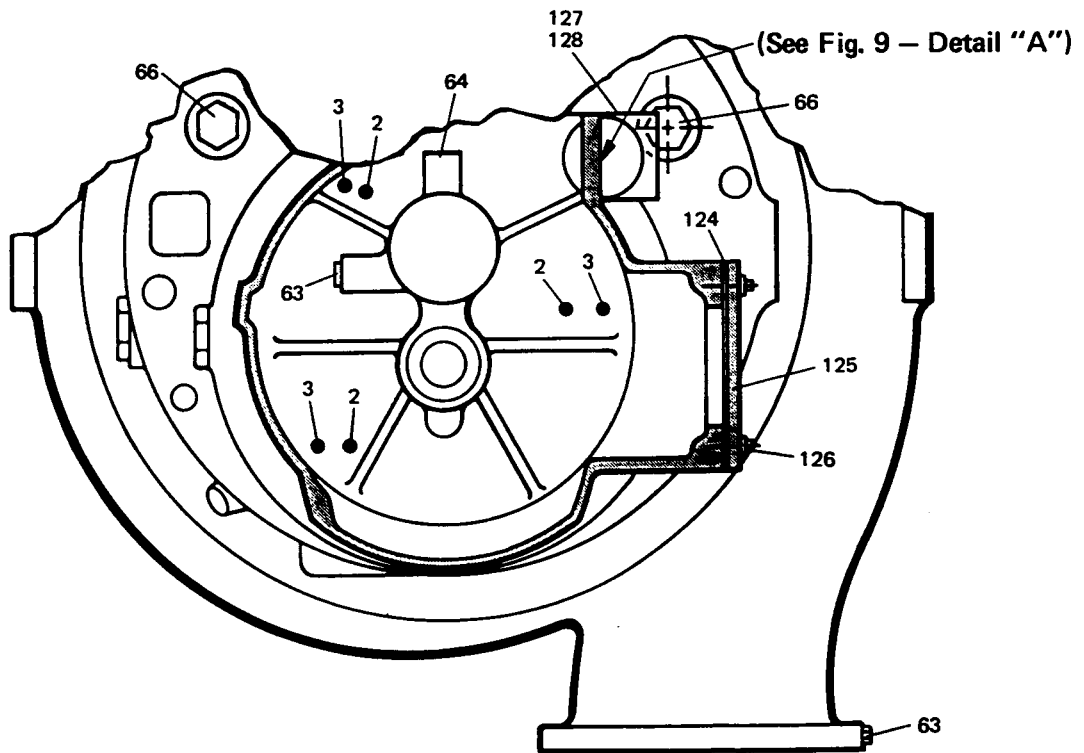


FIG. 8 — SECTION "B-B" — MODELS MTH 85 AND 95

HERMETIC MOTOR — MODELS MTH 67/76 AND MTH 85/95

High—Low Voltage and Stator Sensor Wiring

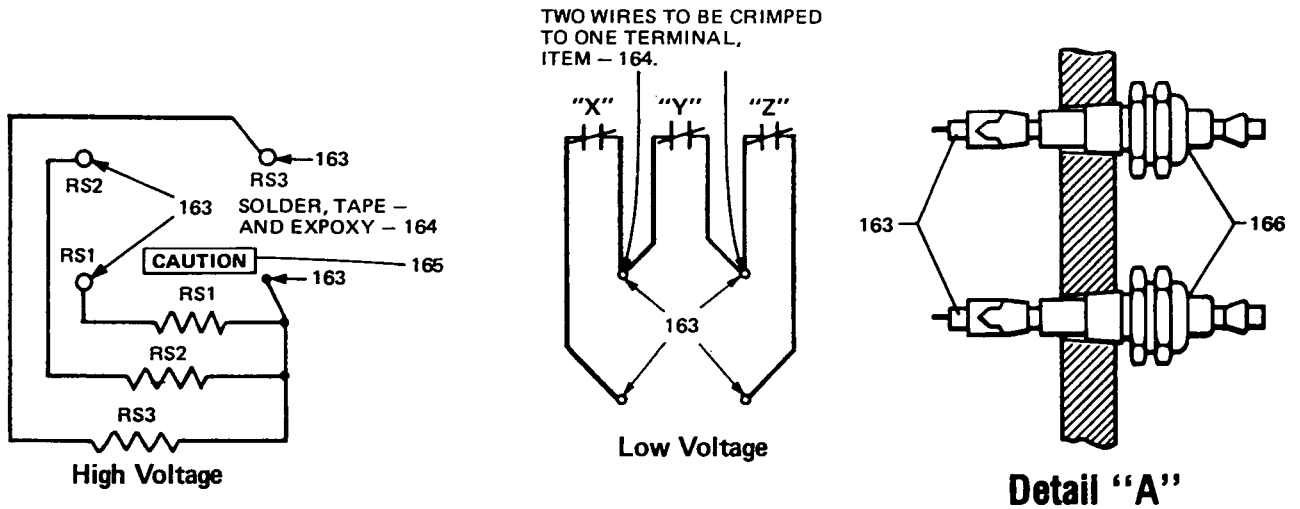


FIG. 9 — HIGH AND LOW VOLTAGE AND STATOR SENSOR WIRING (See Page 22)

Motor Terminals HIGH—LOW VOLTAGE

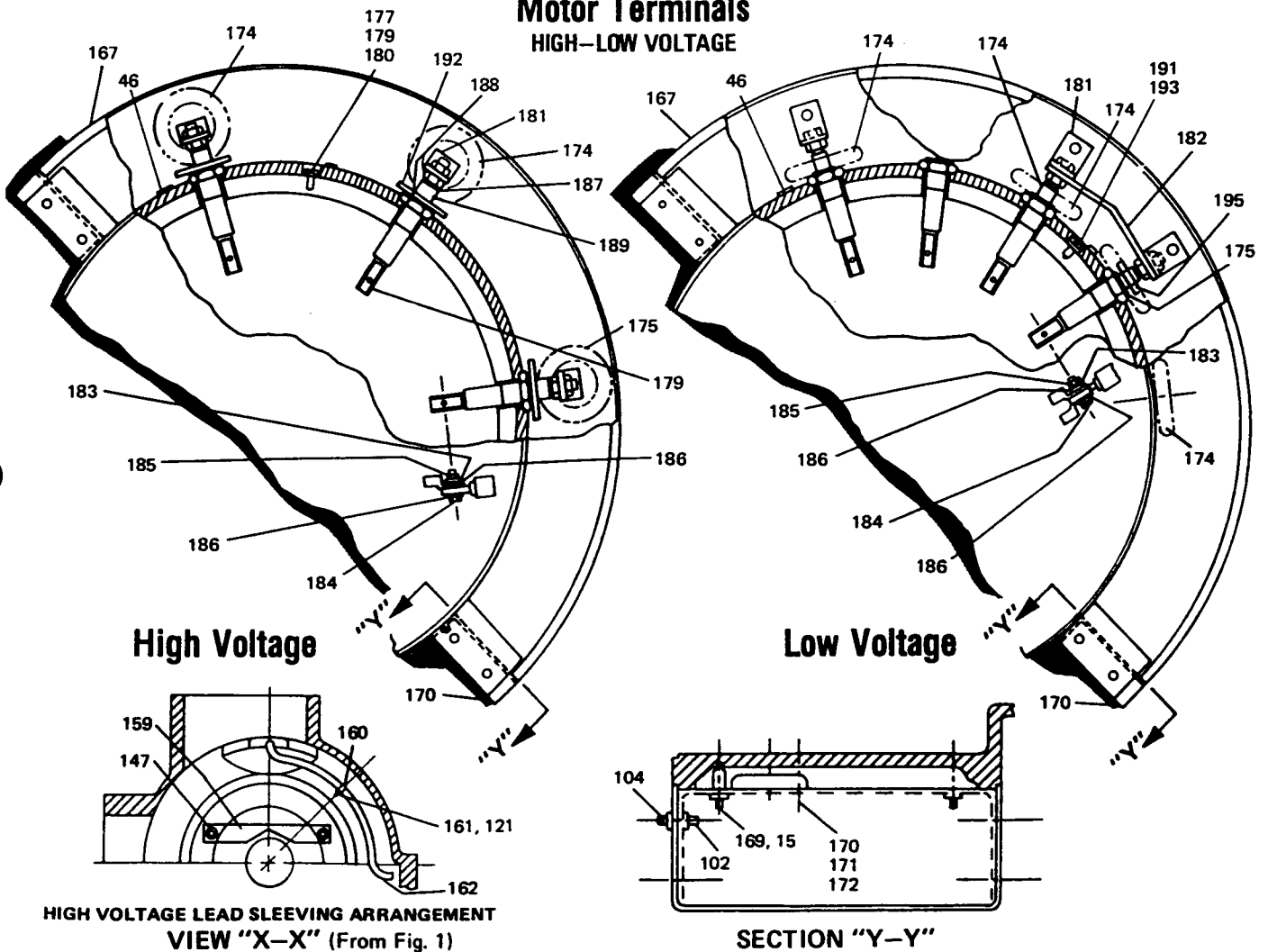


FIG. 10 — MOTOR TERMINALS (HIGH AND LOW VOLTAGE)

**Shaft End View
OPEN COMPRESSOR — MODELS LTH 67 AND 76**

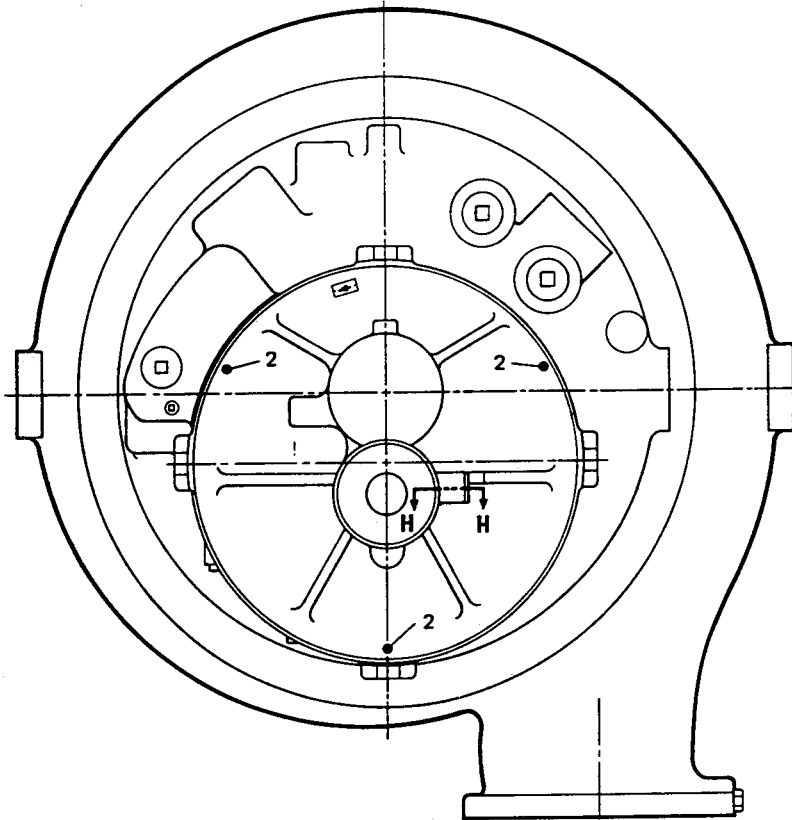


FIG. 11 — SHAFT END VIEW — MODELS LTH 67 AND 76

OPEN COMPRESSOR — MODELS LTH 85 AND 95

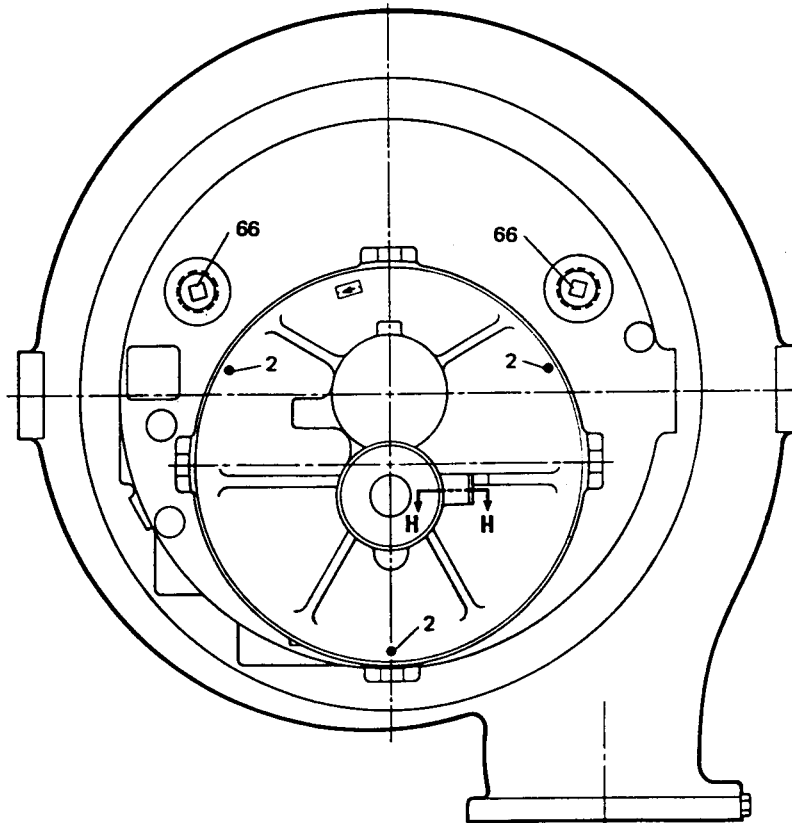
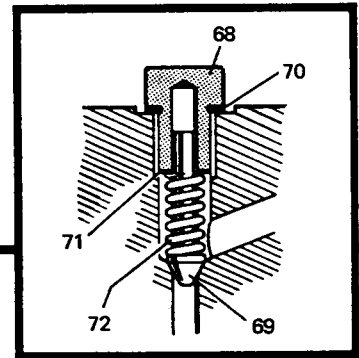


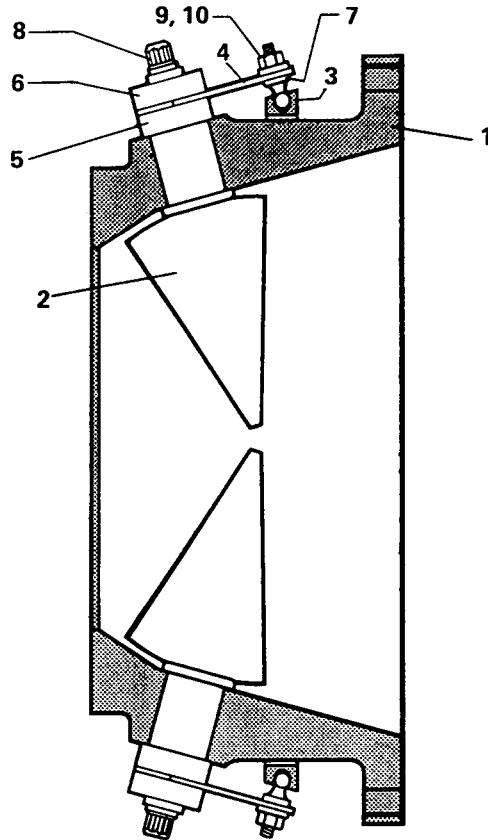
FIG. 12 — SHAFT END VIEW — MODELS LTH 85 AND 95



**Section "H—H"
OIL PRESSURE RELIEF VALVE**

COMPRESSOR — MODELS MTH/LTH 67, 76, 85 AND 95

Prerotation Vane Housing Parts



Item	Part Description	Models			
		MTH & LTH 67		MTH & LTH 76-	
		Part No.	Quan.	Part No.	Quan.
1	Housing, Pre-Rotation	064-13486	1	064-13485	1
2	Vane, Pre-Rotation	064-10618	9	064-10618	9
3	Ring, Vane Driving	064-10815	1	064-10815	1
4	Arm, Vane	064-10818	9	064-10818	9
5	Washer	064-10819	9	064-10819	9
6	Washer—Special	064-09289	9	064-09289	9
7	Washer	021-11973	10	021-11973	10
8	Screw, Cap 12 Pt. Hd. 3/8-24 UNF X 2 Lg.	021-11956	9	021-11956	9
9	Screw, Ball	029-07017	9	029-07017	9
10	Nut, Hex, 1/4-28 UNF 33	021-12943	9	021-12943	9

Item	Part Description	Models			
		MTH & LTH 85		MTH & LTH 95	
		Part No.	Quan.	Part No.	Quan.
1	Housing, Pre-Rotation	064-13481	1	064-13482	1
2	Vane, Pre-Rotation	064-08822	8	064-08822	8
3	Ring, Vane Driving	064-08813	1	064-08813	1
4	Arm, Vane	064-08814	8	064-08814	8
5	Washer	064-09061	8	064-09061	8
6	Washer—Special	064-08815	8	064-08815	8
7	Washer	021-11973	10	021-11973	10
8	Screw, Cap 12 Pt. Hd. 3/8-24 UNF X 2 Lg.	021-11743	8	021-11743	8
9	Screw, Ball	029-07017	8	029-07017	8
10	Nut, Hex, 1/4-28 UNF 33	021-12943	8	021-12943	8

FIG. 13 — PREROTATION VANE ASSEMBLY — MODELS MTH/LTH 67, 76, 85 AND 95

HERMETIC COMPRESSOR

External Piping and Plugs

OPEN COMPRESSOR

External Piping and Plugs

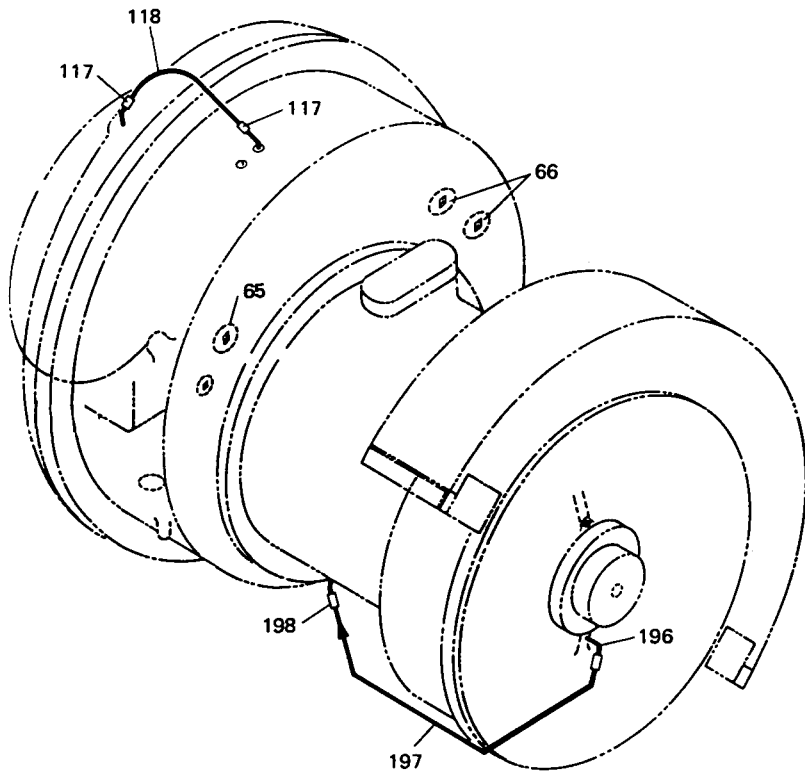


FIG. 14 — HERMETIC COMPRESSOR—MODELS MTH 67 AND 76

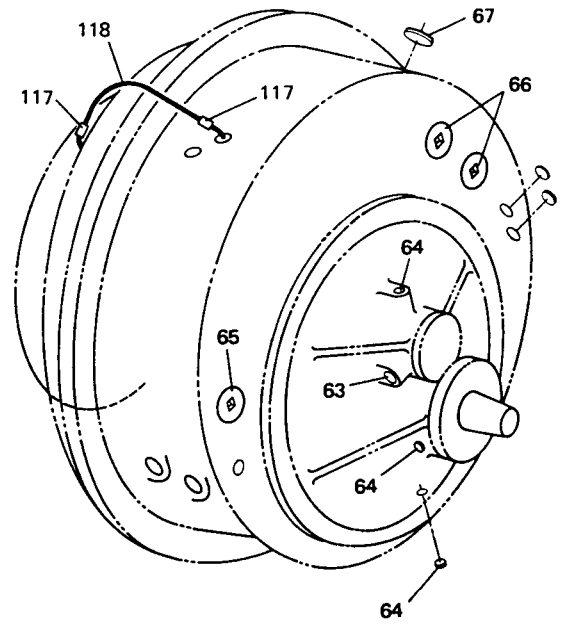


FIG. 16 — OPEN COMPRESSOR —
MODELS LTH 67 AND 76

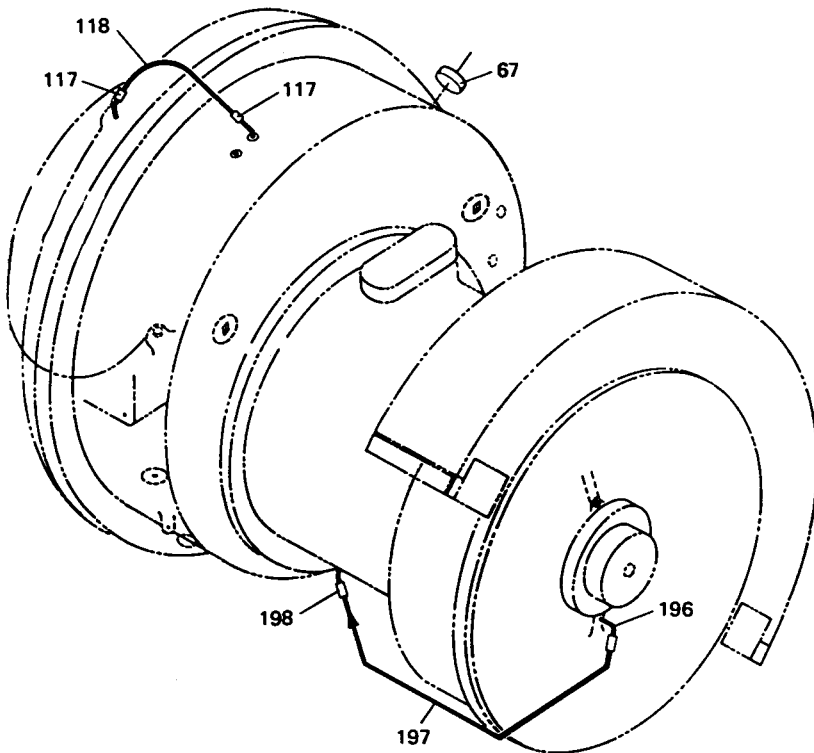


FIG. 15 — HERMETIC COMPRESSOR—MODELS MTH 85 AND 95

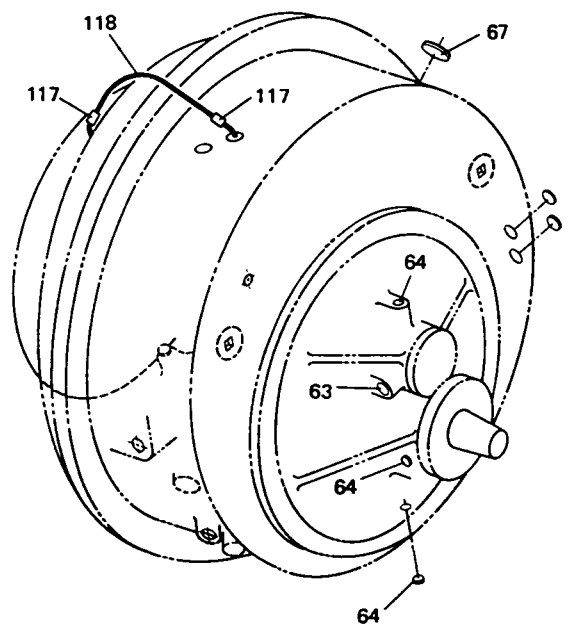


FIG. 17 — OPEN COMPRESSOR —
MODELS LTH 85 AND 95

HERMETIC MOTOR CURRENT TRANSFORMER ASSEMBLY [Electro Mechanical Started Units]

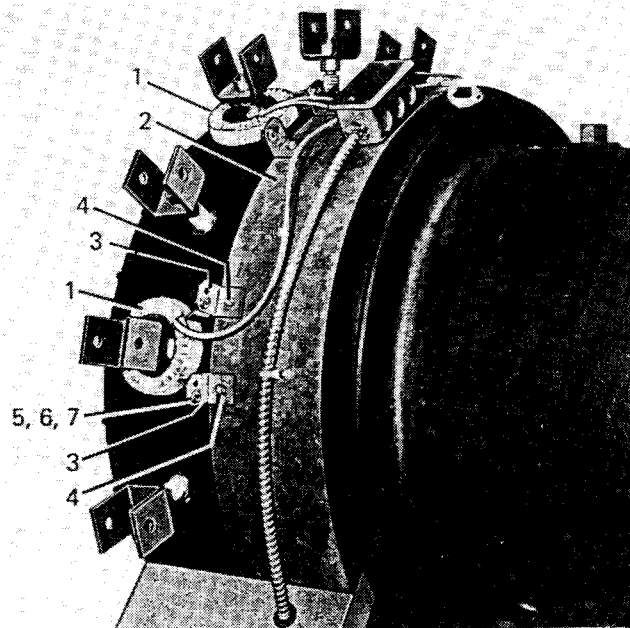


FIG. 18 — CURRENT TRANSFORMER ARRANGEMENT — LOW VOLTAGE

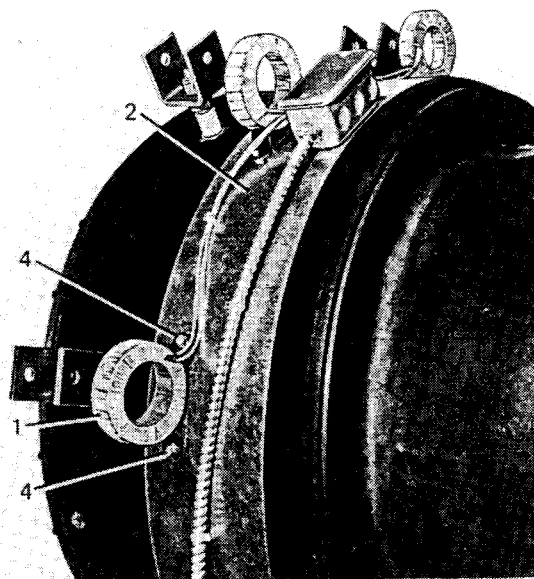


FIG. 19 — CURRENT TRANSFORMER ARRANGEMENT — HIGH VOLTAGE

Item	Description	364-45881 -002 L.V. 200:1		364-45881 -002 L.V. 350:1		364-45881 -002 L.V. 700:1		364-45881 -002 L.V. 1400:1		364-45881 -002 H.V. 200:1		364-45881 -002 H.V. 350:1	
		Qty.		Qty.		Qty.		Qty.		Qty.		Qty.	
1	Current Transformer	3	025-21173 -001	3	025-21173 -002	3	025-21173 -003	3	025-21173 -004	3	025-21173 -001	3	025-21173 -002
2	Bracket	1	064-45867	1	064-45867	1	064-45867	1	064-45867	1	064-45868	1	064-45868
3	Bracket, Angle	6	064-45882	6	064-45882	6	064-45882	6	064-45882	—	—	—	—
4	Scr Self Tap 1/4	6	021-13774	6	021-13774	6	021-13774	6	021-13774	6	021-13774	6	021-13774
5	Scr Cap 1/4 x 1/2	6	021-01366	6	021-01366	6	021-01366	6	021-01366	—	—	—	—
6	Nut	6	021-00450	6	021-00450	6	021-00450	6	021-00450	—	—	—	—
7	Lockwasher	6	021-05289	6	021-05289	6	021-05289	6	021-05289	—	—	—	—

OIL SUMP ASSEMBLY

UK UNITS ONLY

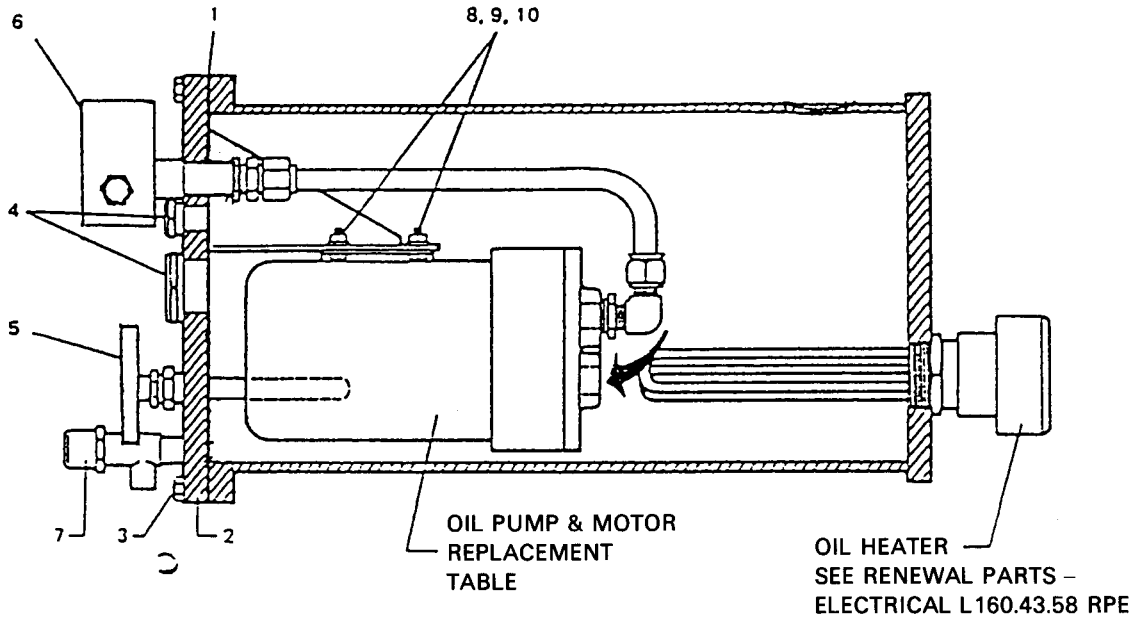


FIG. 20 - OIL SUMP CUTAWAY VIEW

ITEM	DESCRIPTION	PART NUMBER	QTY
1	Gasket	028L00367	1
2	Cover		1
3	Screw, Cap Hex Hd. $\frac{3}{8}$ - 16 x 1 $\frac{1}{2}$ " Lg.	021-01485	12
4	Sight Glass	026-16556	2
5	Thermometer	026-21975	1
6	Valve Relief, $\frac{3}{4}$	022-06801	1
7	Valve Stop	022-03834	1
8	Screw, Cap Hex Hd. $\frac{5}{16}$ - 18 $\frac{3}{4}$	021-01418	4
9	Nut, Hex $\frac{3}{16}$ - 18	021-00461	4
10	Washer, Plain, $\frac{11}{32}$ I.D. x 0.065 Thk.	021-01262	4

OIL PUMP & MOTOR REPLACEMENT

Oil Pumps—With Motor		Motor Only
Voltage	Part No.	
208, 220, 230	026-28153	024-21074
240, 416, 440		
460, 480-3-60		
550, 575-600-3-60	026-22380	024-21075
380, 416-3-60	026-22386	024-21077
220, 440-3-50	026-22385	024-21079
380, 400, 415-3-50	026-22379	024-21078
346-3-50	026-22381	024-21076

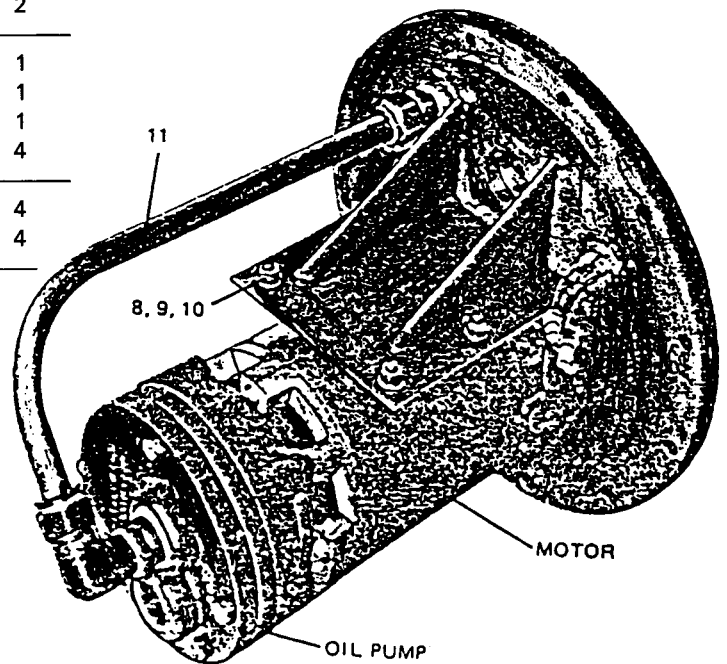


FIG. 21 - OIL PUMP MOUNTED ON COVER

COUPLING OPEN TYPE — LTH 67, 76, 85 AND 95

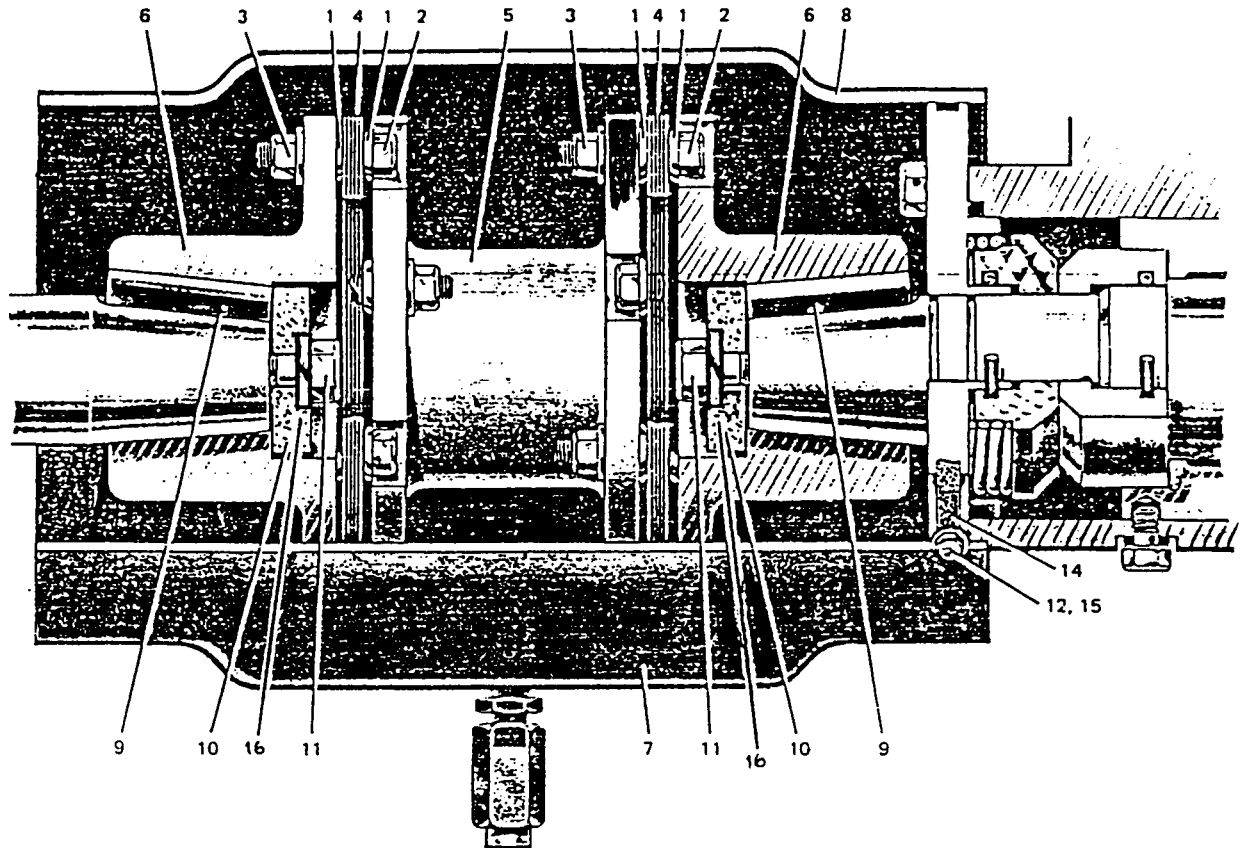


FIG. 22 — COUPLING OPEN TYPE — MODELS LTH 67, 76, 85 AND 95

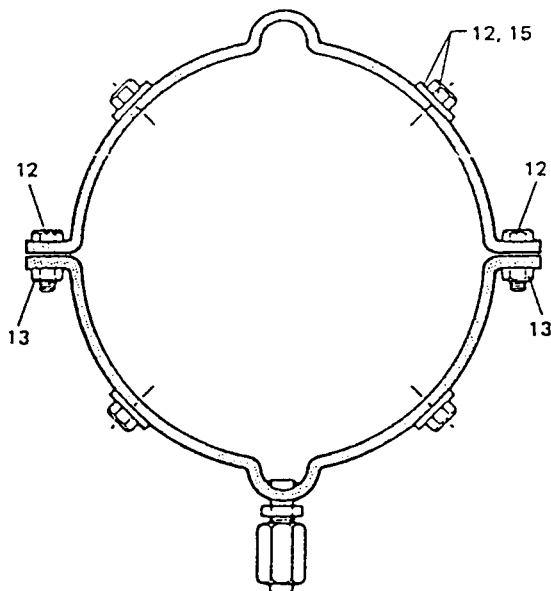
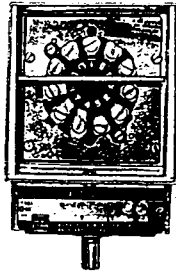
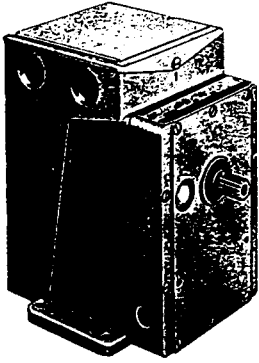


FIG. 23 — COUPLING GUARD — MODELS LTH 67, 76, 85 AND 95

COMPRESSOR/MOTOR COUPLING — PART NO. 029-17388

Item	Description	Quantity Per Unit	Part No.
1	Washer, Beveled	16	021-15807
2	Screw, Shoulder Hex Hd.	16	021-15809
3	Locknut, Flanged	16	021-15809
4	Disc, Pack	2	029-18103
5	Spacer Center Spool	1	029-18104
6	Hub Coupling	2	029-18105
7	Guard With Drain	1	364-46216
8	Guard, Top	1	364-46208
9	Key	2	064-46209
10	Washer, Coupling & Shaft	2	064-46759
11	Screw, Cap Hex Hd. 1/2"–13 x 1-1/4"	2	021-16252
12	Screw, Cap Hex Hd. 1/4"–20 x 1/2"	10	021-01366
13	Nut, Hex 1/4"–20	6	021-00405
14	Gasket, .139 ± .004" Dia.	As Required	028-10177
15	Washer	4	064-46210
16	Lockwasher	2	021-05271

PRV — ACTUATORS



VIEW FROM TOP

FIG. 24 — ELECTRIC — PRV ACTUATORS

PRV-ELECTRIC-MOTOR ACTUATORS PRV ACTUATORS-ELECTRIC 230.1.50

Model	Quan.	Part No.
MTH 67 & LTH 67	1	025L00019 000
MTH 76 & LTH 76	1	—
MTH 85 & LTH 85	1	064L00325 000
MTH 95 & MTH 95	1	—

SPECIAL TOOLS AND SUPPLIES

TOOL — KIT PARTS

Item	Description	Quan.	MTH 67-95 Part No. (464-46234)	LTH 67-95 Part No. (464-46233)
1	Pin	3	064-18716	064-18716
2	Bolt	1	021-00307	021-00307
3	Pin	3	064-46246	064-46246
4	Bar, Rd.	1	064-46402	064-46402
5	Stud	1	064-14500	064-46500
6	Nut	2	021-00483	021-00483
7	Pump, Hand	1	470-10654	470-10654
8	Bolt	2	021-12366	—
9	Device	1	364-46247	—
10	Screw	3	021-61418	021-01628
11	Pin	2	064-46488	064-46488
12	Pin	2	064-46499	064-46499
13	Bar	2	—	064-46251
14	Screw	2	—	021-01510
15	Nut	2	—	021-00466

TOOLS

Description	Part No.
Pliers, Waldles Truarc. No. 5	029-08590
Pliers, Waldles Truarc. No. 7	029-07934
Hand Oil Pump	070-10654
Hand Oil Pump Seal	028-03292

BAR JUMPER (LOW VOLTAGE ONLY)

Compr. Code	Volts	Part No.
B1, B2, C1, C2	208 Thru 600	064-42280

SEALERS, ADHESIVES AND INSULATION TAPE

Item	Description	Part No.
1	Varnish, Scotch Cast Resin No. 2	013-01016
2	Sealant	044-00892
3	Sealer CR CV	013-01678
4	Adhesive	013-00852
5	Adhesive Sealing	013-02065
6	Tape Motor Terminal Insul.	010-04101

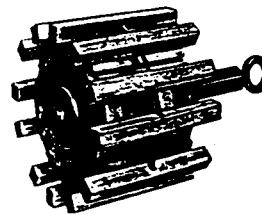


FIG. 25 — HERMETIC MOTOR EXPANDING MANDREL

MANDREL PART NUMBERS

Compressor Model No.	Min. Dia.	Max. Dia.	Part No.
MTD 67-95	8-3/8	11-1/8	029-13597

LUBRICANTS, OILS AND COMPOUNDS

Description	Part No.
Thread Compound, ARI High Pressure—1/4 Pt. Can	464-14934
Coating Lubricant—Molykote, Type Z—2 Oz. Can	364-21508
Oil, York Refrigeration—Type C—5 Gal. Can	011-00312

YORK.