

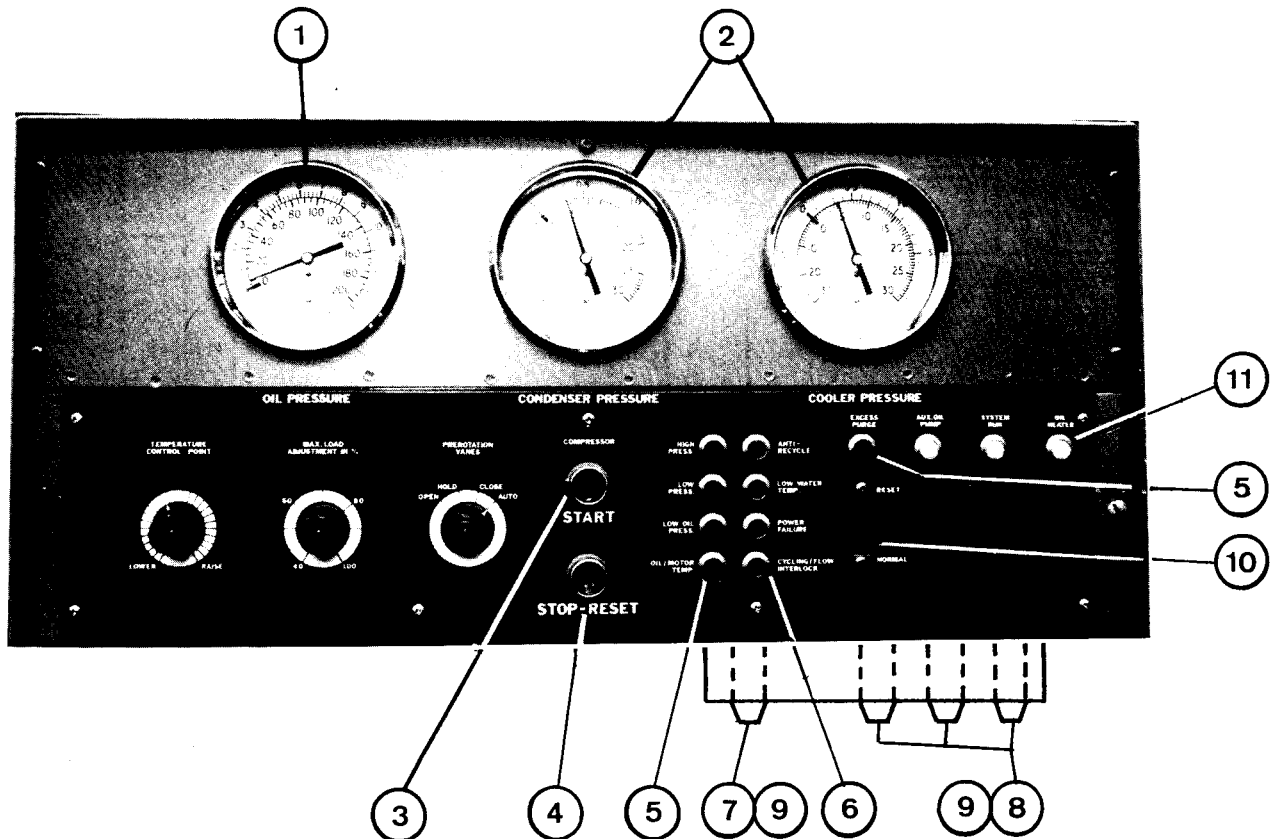


RENEWAL PARTS

HERMETIC AND OPEN TURBOPAK CENTRIFUGAL LIQUID CHILLERS - MODELS OTH/HTH B1B1 TO G2C2

I - ELECTRICAL PARTS

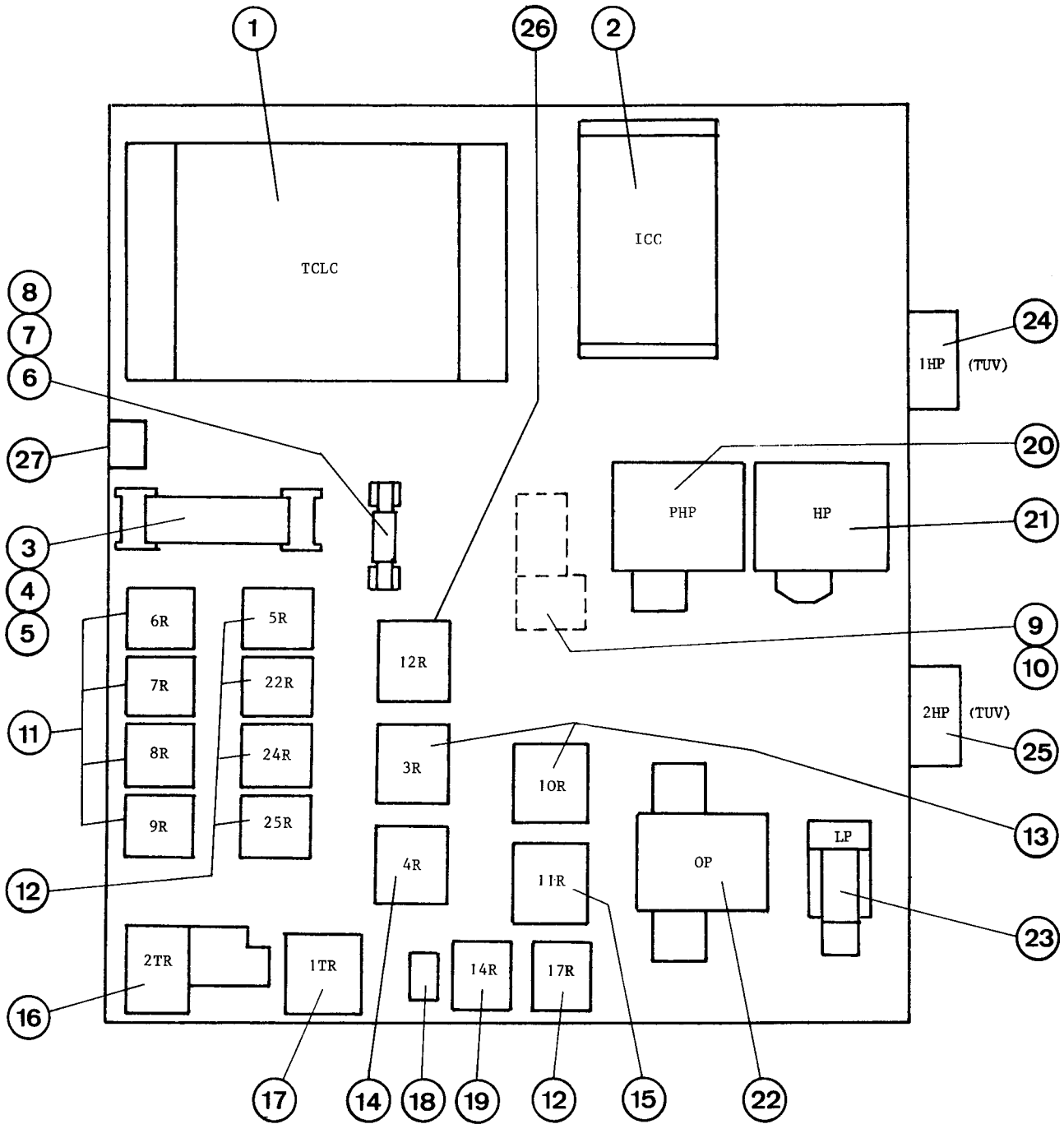
CONTROL PANEL - EXTERNAL CONTROLS - Fig. 1 - see table 1



CONTROL PANEL - EXTERNAL CONTROLS - Table 1 - see fig. 1

ITEM	DESCRIPTION	QTY	PART NUMBER	ITEM	DESCRIPTION	QTY	PART NUMBER
1	Gauge, Pressure, Oil	1	026L00186C001	6	Light, Indicator, Amber (R.H. Column)	4	025L00008 000
2	Gauge, Pressure, Condenser (L.H.) and Cooler (R.H.)	2	026L00186C002	7	Fuse, 0.5 amp	1	025-14383 000
3	Switch, Push-Button, Start	1	024L00008 000	8	Fuse, 10 amps	3	025L00429 000
4	Switch, Push-Button, Stop-Reset	1	024L00009 000	9	Fuse Holder	4	025L00529 000
5	Light, Indicator, Red (L.H. Column)	5	025L00007 000	10	Switch, Rocker	1	024-16590 000
				11	Light, Indicator, White	3	025L00009 000

CONTROL PANEL - INTERNAL COMPARTMENT - Fig. 2 - see table 2



CONTROL PANEL - INTERNAL COMPARTMENT - Table 2 - see fig. 2

ITEM	DESCRIPTION	QTY	PART NUMBER
1	Control Temperature 220V	1	025-20203A000
2	Counter, Purge Cycle 220V	1	025L00275C000
3	Block Terminal	17	025L00563 000
4	Block Terminal End	2	025L00564 000
5	Bridge Insertion	2	025L00565 000
6	Buzz Bar Copper, 8 cm	1	025L00537 000
7	Mounting Post	2	025L00538 000
8	Terminal Earth	6	025L00539 000
9	Overload, Oil Pump 380/415V	1	024L00242 000
10	Contact, Oil Pump 380/415V	1	024L00393 000

ITEM	DESCRIPTION	QTY	PART NUMBER
11	Relay 2PDT POW/PIL 220V	4	024L00004 000
12	Relay 2PDT PIL/PIL 220V	5	024L00006 000
13	Relay 3PDT PIL/POW/PIL 220V	2	024L00002 000
14	Relay 3PDT PIL/PIL/PIL 220V	1	024L00150 000
15	Relay 3PDT POW/PIL/POW 220V	1	024L00001 000
16	Timer Repeat Cycle 3-Cam	1	025L00003C000
17	Timer Repeat Cycle 1-Cam	1	025L00002C000
18	Switch Rocker 2PDT	1	024L00371 000
19	Relay 2PDT POW/POW 220V	1	024L00003 000
20	Cutout, Purge Pressure	1	025 17676 000

SHELL	ELIMINATOR		KNITMESH REQ'D
	PART NUMBER	SIZE	008L00016
A	367-93538	11" 12 ft long	60 ft
B,C,D	367-74207	11" 14 ft long	70 ft
E,F	367-75221	11 $\frac{3}{4}$ "	70 ft
G	367-74208	14 $\frac{1}{2}$ "	84 ft
H	367-90085	28"	148 ft
J	367-90086	29 $\frac{1}{4}$ "	160 ft
K	367-90087	38 $\frac{5}{8}$ "	160 ft

PART NUMBER CROSS REFERENCE TO NEW STYLE TURBOPAK LOADMINDER

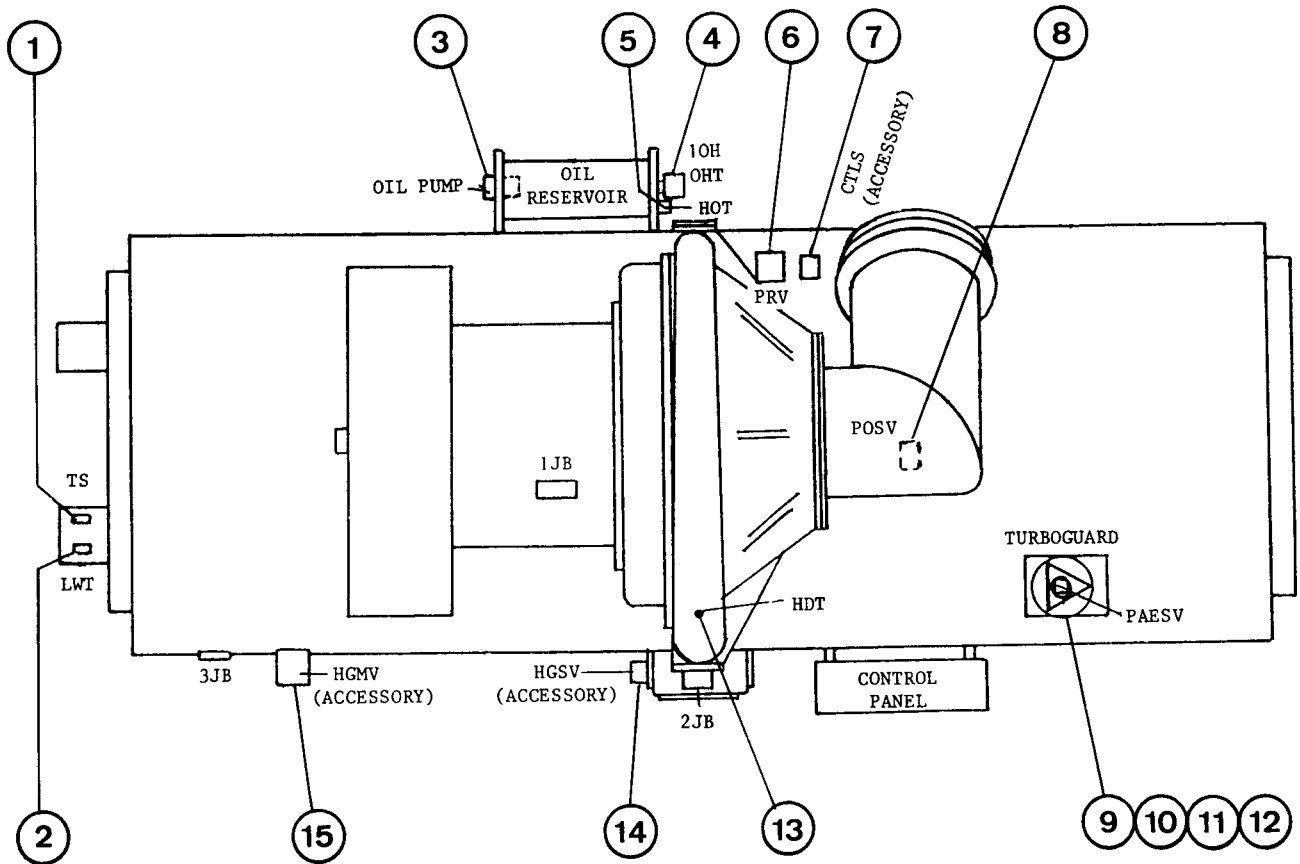
OLD PART NUMBER	NEW PART NUMBER	VALVE SIZE	VOLTAGE
366-79157 002 366-79158 002	366L03900 002 366L03901 002	1½" 2"	115.1.50
366-79157 003 366-79158 003	366L03900 003 366L03901 003	1½" 2"	115.1.60
366-79157 004 366-79158 004	366L03900 004 366L03901 004	1½" 2"	230.1.50
366-79159 002 366-79160 002	366L03902 002 366L03903 002	2½" 3"	115.1.50
366-79159 003 366-79160 003	366L03902 003 366L03903 003	2½" 3"	115.1.60
366-79159 004 366-79160 004	366L03902 004 366L03903 004	2½" 3"	230.1.50

Table 2 - continuation

ITEM	DESCRIPTION	QTY	PART NUMBER
21	Cutout, High Pressure	1	025-14385 000
22	Cutout, Oil Pressure	1	025-14386 000
23	Control, Low Pressure	1	025-15443C000
24	Cutout, High Pressure, TUV only	1	025L00603 000
25	Cutout, High Pressure, TUV only	1	025L00604 000
26	Relay 3PDT PIL/PIL/PIL 220 V ¹	1	024L00150 000
27	Block Terminal ¹	1	025L00568 000

¹ Units with hot gas modulating valve.

MAIN CONTROLS - Fig. 3 - see table 3



MAIN CONTROLS - Table 3 - see fig. 3

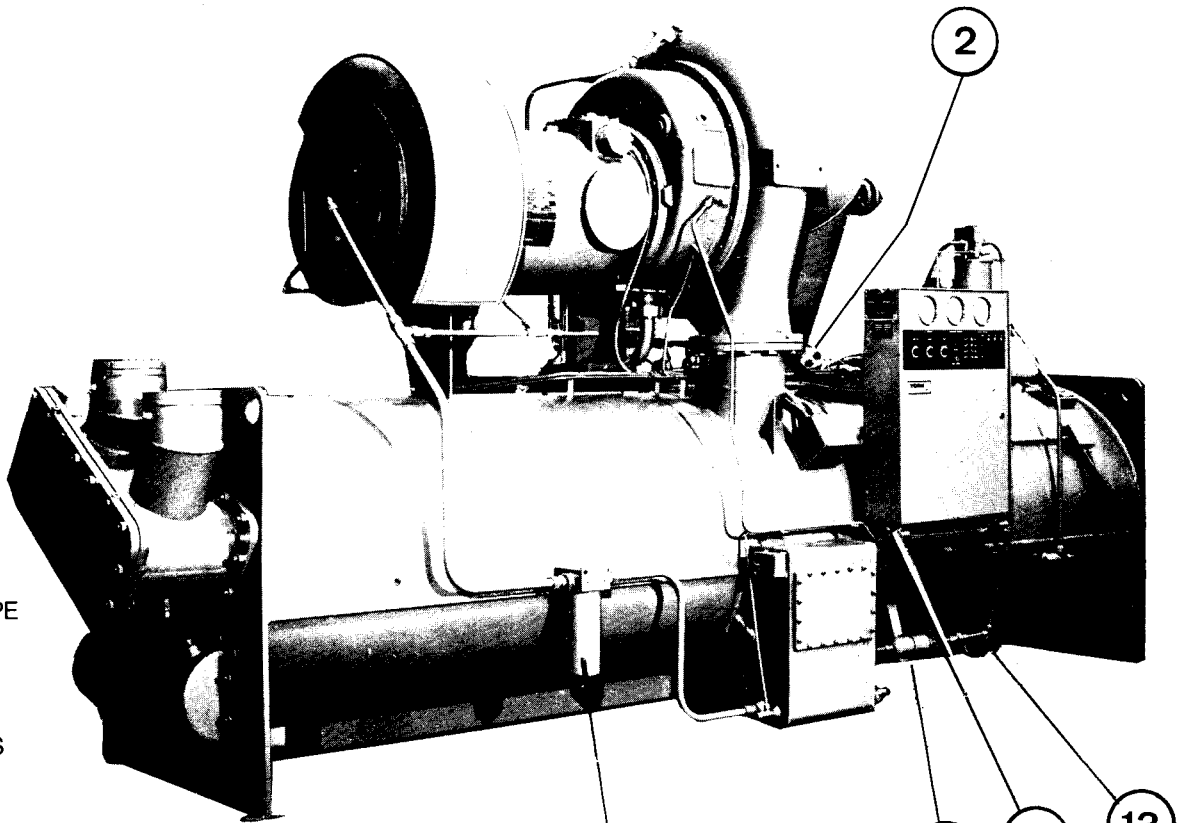
ITEM	DESCRIPTION	QTY	PART NUMBER
1	Temperature Sensor, Chilled Water (TS)	1	025-10439 000
2	Thermostat, Low Water Temperature (LWT)	1	025-14464 000
3	Oil Pump 380/415V-3-50 Hz	1	026-22379A000
4	Heater, 1000W (IOH/OHT)	1	025-09446 000
5	Thermostat, High Oil Temperature (HOT)	1	025-15381B003
6	Pre-Rotation Vane Motor (PRV)	1	064L00325D000 Code B1B2 Code C1C2
7	Switch, Control Transfer Limit (CTLS)	1	024L00305 000
8	Solenoid Valve, Purge Oil (POSV)	1	025L00307 000
9	Oil Heater Thermostat (OMT)	1	098L00146 000

ITEM	DESCRIPTION	QTY	PART NUMBER
10	Solenoid Valve, Purge Air Exhaust (PAESV)	1	025-16870 000
11	Float Switch (Purge Unit)	1	024L00245B000
12	Shut Off Valve (Purge Unit)	1	023L00460 000
13	Check Valve (Purge Unit)	1	022-03571 000
14	Thermostat, High Discharge Temperature (HDT)	1	025-15381B002
15	Solenoid Valve, Hot Gas (HGSV)	1	366-79158T004 Compr. Code B1/2/3,C1/2, F1,G1/2 D1/2,E1
16	Hot Gas Modulating Valve Flow Switch	1	025L00570 000 024-15793 000

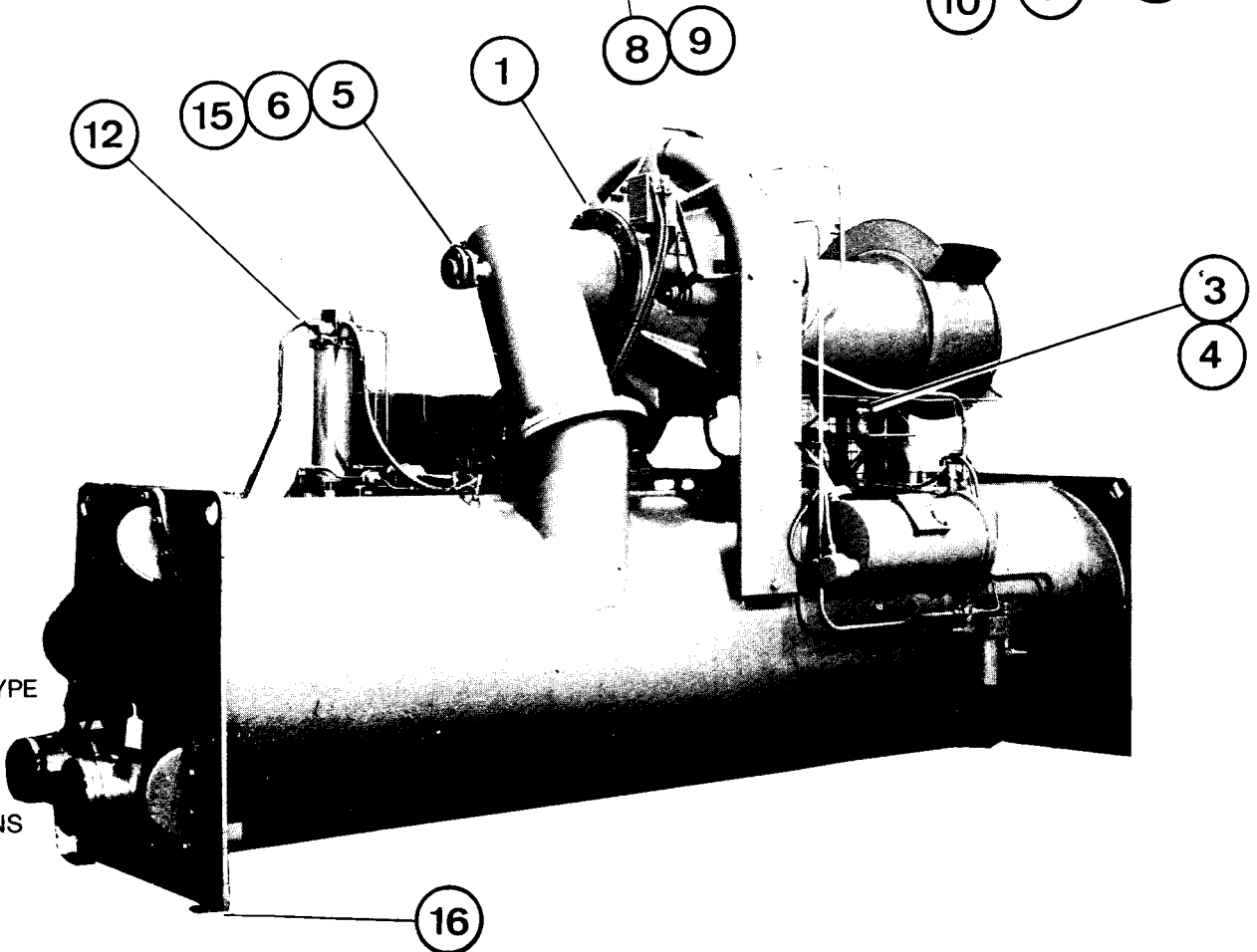
2 - MECHANICAL AND REFRIGERATION PARTS

SYSTEM COMPONENTS - Fig. 4 - see table 4

HERMETIC TYPE
UNIT SHOWN
WITH MARINE
TYPE WATER
CONNECTIONS

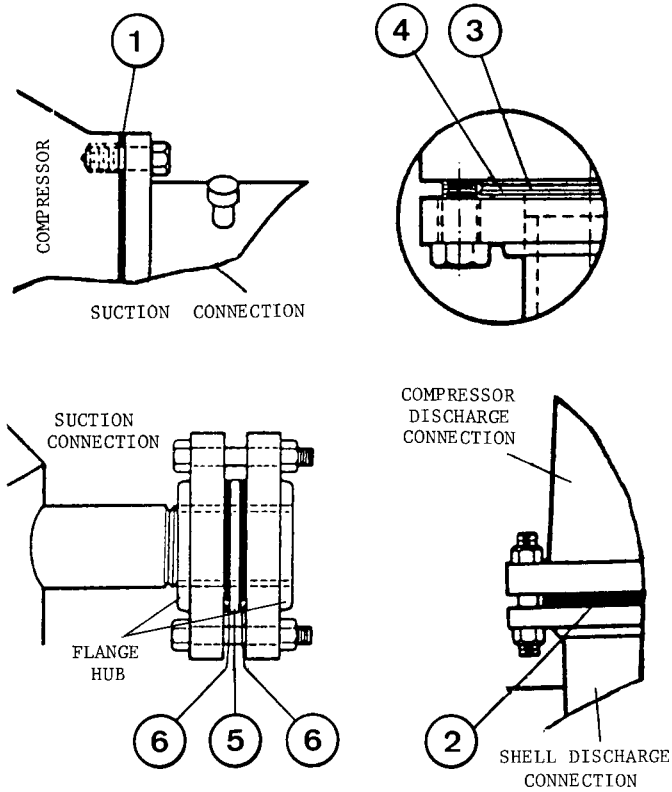


HERMETIC TYPE
UNIT SHOWN
WITH
STANDARD
CONNECTIONS



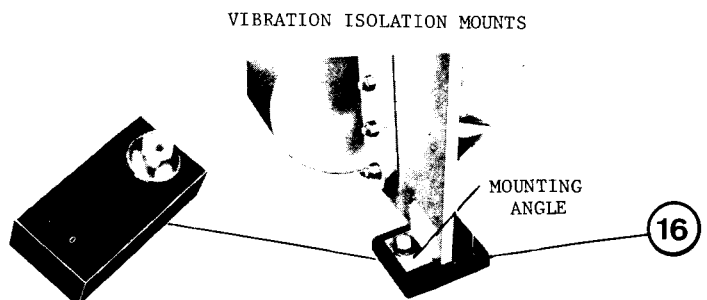
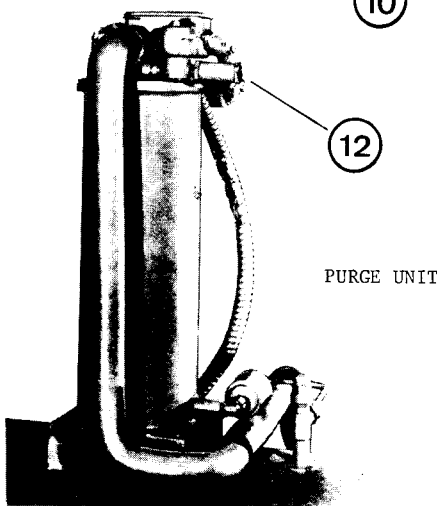
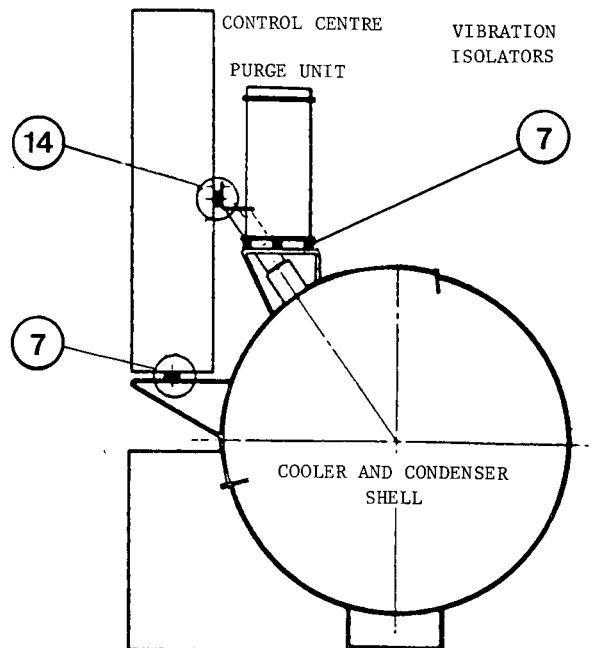
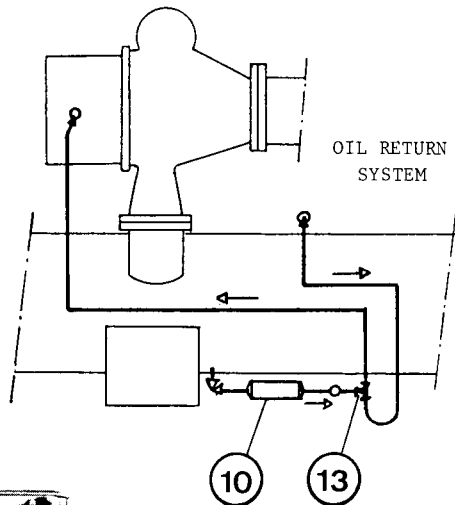
SYSTEM COMPONENTS - DETAILS

Fig. 5 - Table 4



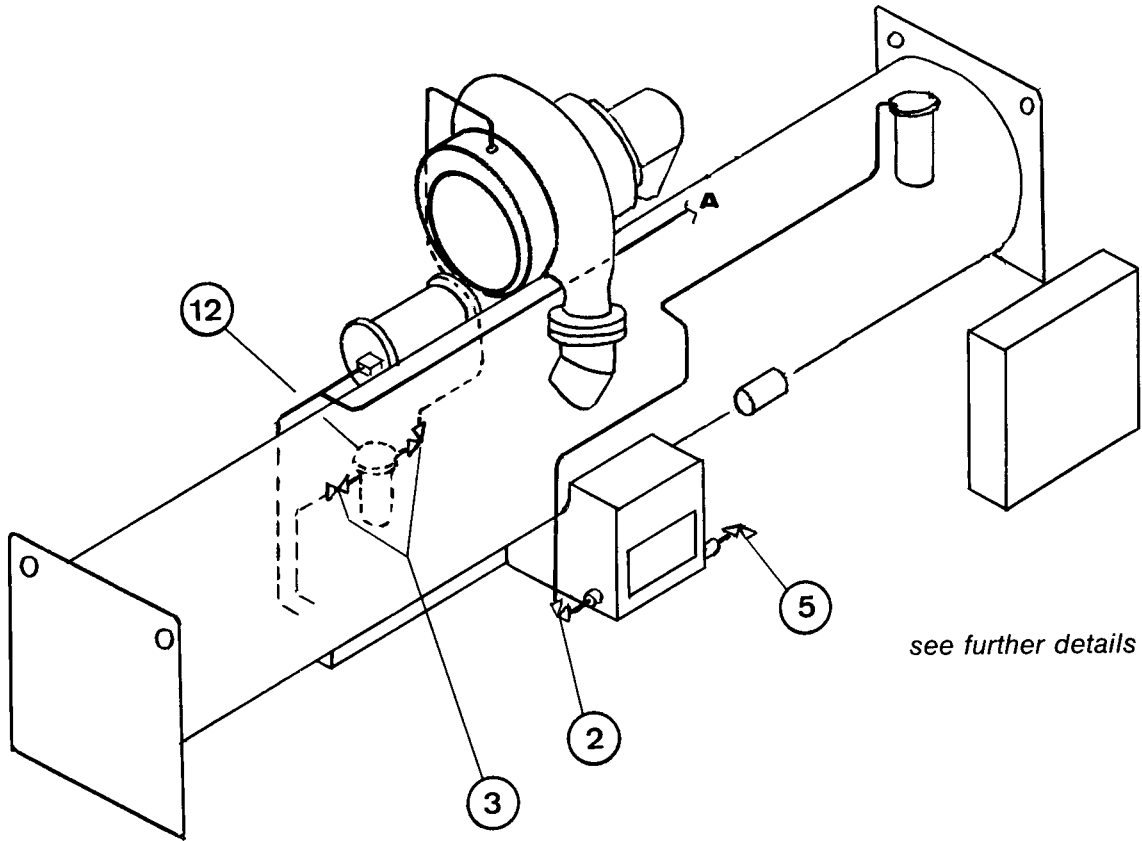
ITEM	DESCRIPTION	QTY	PART NUMBER
1	Gasket, Suction Connection B1-B3 C1-C2 D1-G2	2	028L00322A002 028L00322A003
2	Gasket, Discharge Connection B1-B3 C1-C2 D1-G2	1	028L00114A000 070-10630K000
3	Gasket, Motor Cooling Liquid Outlet Connection	2	066-23477 000
4	Orifice Plate Motor Cooling Liquid Outlet ¹	1	066-38721B001
5	Bursting Disc ²	1	064L00344 000
6	Gasket, Bursting Disc	2	028L00207G000
7	Vibration Isolators, Control Centre and Purge Unit	6	028-02596 000
8	Filter Cartridge, Motor Cooling Refrigerant	1	026L00015 000
9	Filter, Complete	1	364L00548C000
10	Dehydrator, Oil Return to Compressor	2	026L00142 000
11	Solenoid Valve, Purge Oil POSV ³	1	025L00307 000
12	Check Valve, Purge Unit	1	068L00398 000
13	Eductor, Oil Return to Comp.	1	364-18241A000
14	Vibration Isolator, Control Centre, Rear	1	028-04260C026
15	Bursting Disc Kit, including Items 5 and 6 + Holder	1	364L00447T000
16	Isolation Mounting Pad Neoprene	4	028-09254B000

¹ Varies according to motor code. ² Bursting disc assembly is located on suction connection. ³ Item 11 repeat of item 8, fig. 3.

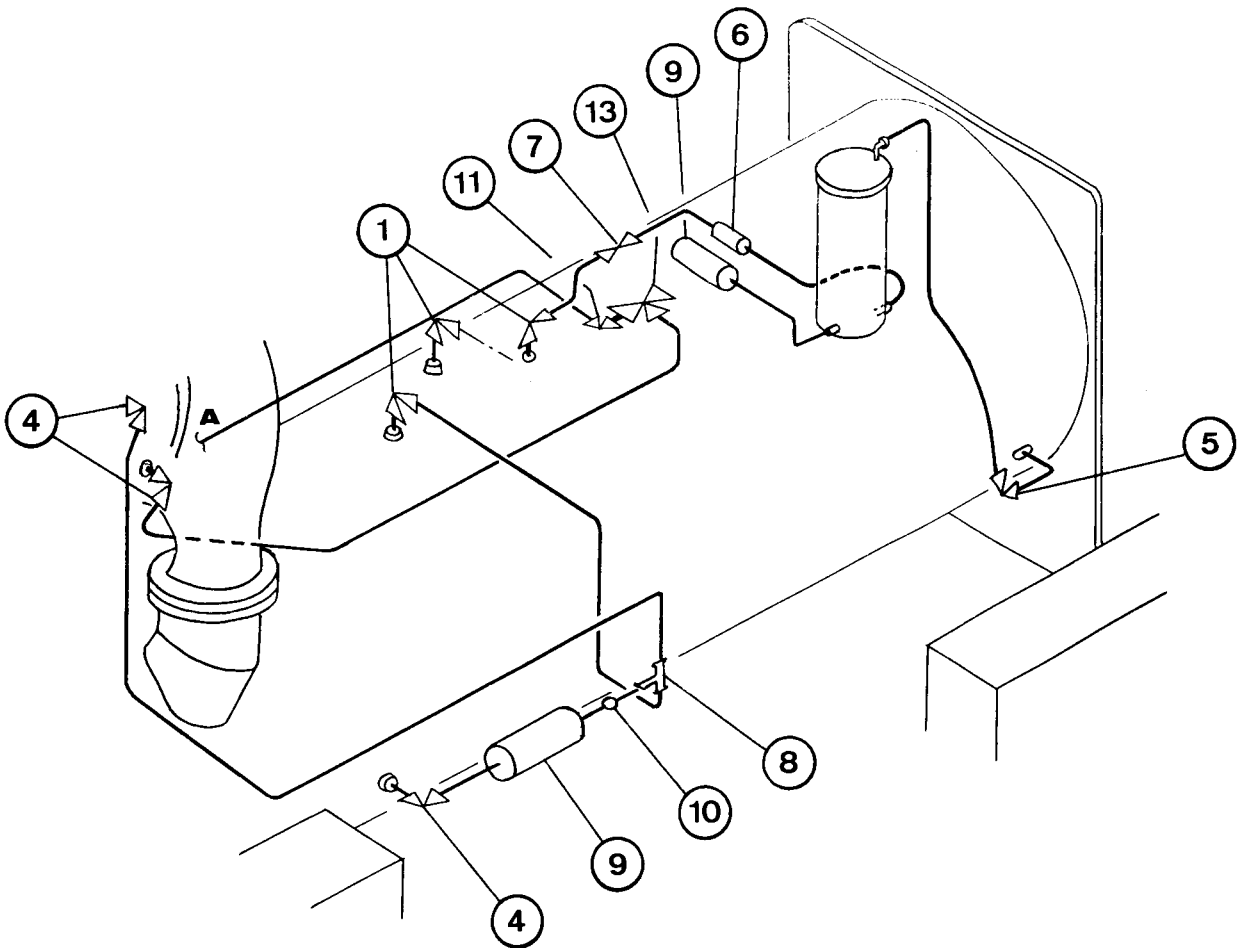


SYSTEM PIPING

Fig. 6 - see table 5



see further details below



SYSTEM PIPING - Table 5 - see fig. 6

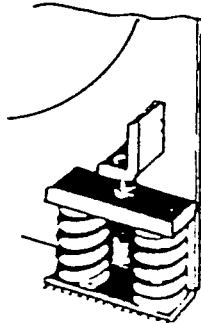
SHELL COMPONENTS - Fig. 8 - see table 7

ITEM	DESCRIPTION	QTY	PART NUMBER
1	Valve, Angle	3	022-03836 000
2	Valve, Angle	1	068L00831G000
3	Valve, Angle	2	022-03850 000
4	Valve, Angle	3	022-03834 000
5	Valve, Angle	2	022-03195 000
6	Strainer, Purge Line	1	029-16764 000
7	Valve, Check	1	068L00398 000
8	Eductor, Tee ¹	1	364-18241A000
9	Dehydrator ²	2	026L00142 000
10	Sight Glass	1	026L00040 000
11	Valve, Angle	1	022-04158 000
12	Filter Assembly	1	364L00547C000
13	Valve, Solenoid, 3-Way 220/240V 110/115V	1	025L00307 000
		1	025-16988 000

¹ ² Repeat of items 13 and 10 respectively in Table 4, Fig. 5.

SPRING VIBRATION ISOLATORS - OPTION

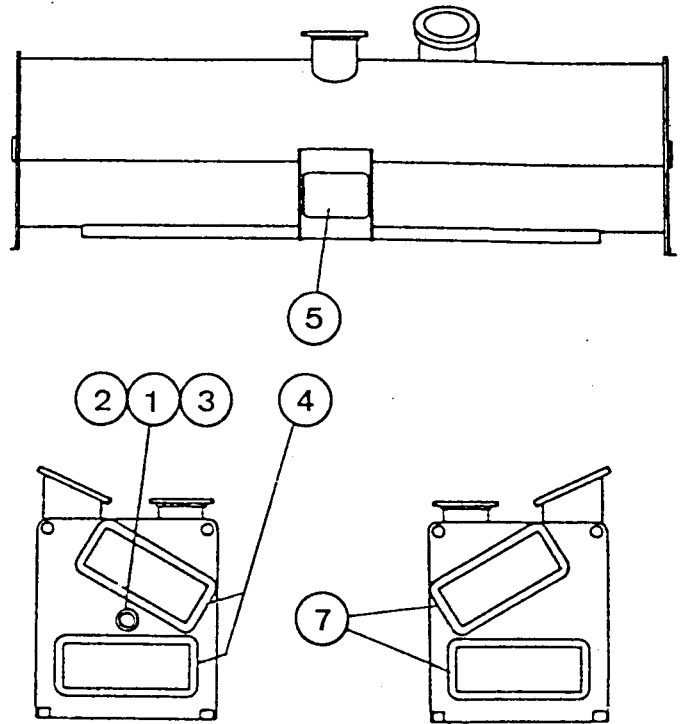
Fig. 7



SPRING ISOLATORS - OPTION - Table 6

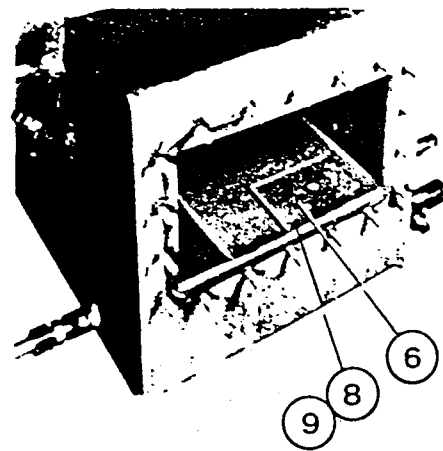
SHELL CODE	HTH OR OTH TYPE	COMPACT WATER HEADS	MAX. MOTOR WEIGHT kg	MARINE TYPE WATER HEADS	MAX. MOTOR WEIGHT kg
B1 B2 B3	HTH OTH Std H.D.	029-11413C000 029-11413C000 029-11414C000	— 950 2080	029-11413C000 029-11414C000 029-11414C000	— 1675 1675
C1-C2	HTH OTH Std H.D.	029-11413C000 029-11414C000 029-11414C000	— 1585 1085	029-11414C000 029-11414C000 029-11415C000	— 1585 2265
D1-D2	HTH OTH Std H.D.	029-11414C000 029-11414C000 029-11415C000	— 1085 2535	029-11414C000 029-11415C000 029-11415C000	— 2035 2035
E1	HTH OTH Std H.D.	029-11414C000 029-11415C000 029-11415C000	— 2080 2080	029-11415C000 029-11415C000 029-11415C000	— 1585 1585
F1	HTH OTH Std H.D.	029-11415C000 029-11415C000 029-11415C000	— 1855 1855	029-11415C000 029-11415C000 029-11416D000	— 1130 2625
G1-G2	HTH OTH Std H.D.	029-11415C000 029-11415C000 029-11416D000	— 1360 2625	029-11415C000 029-11416D000 029-11416D000	— 2080 2080

Std = standard motor.
H.D. = heavy duty.

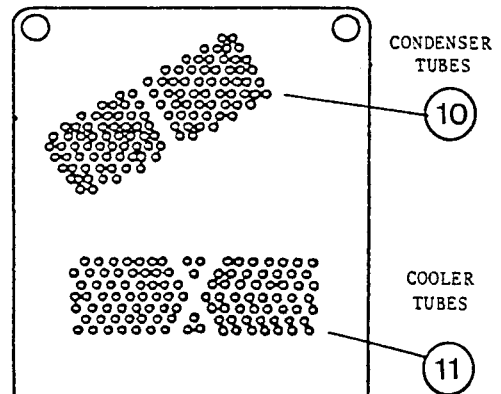


FLOW CONTROL CHAMBER

Fig. 9 - see table 7



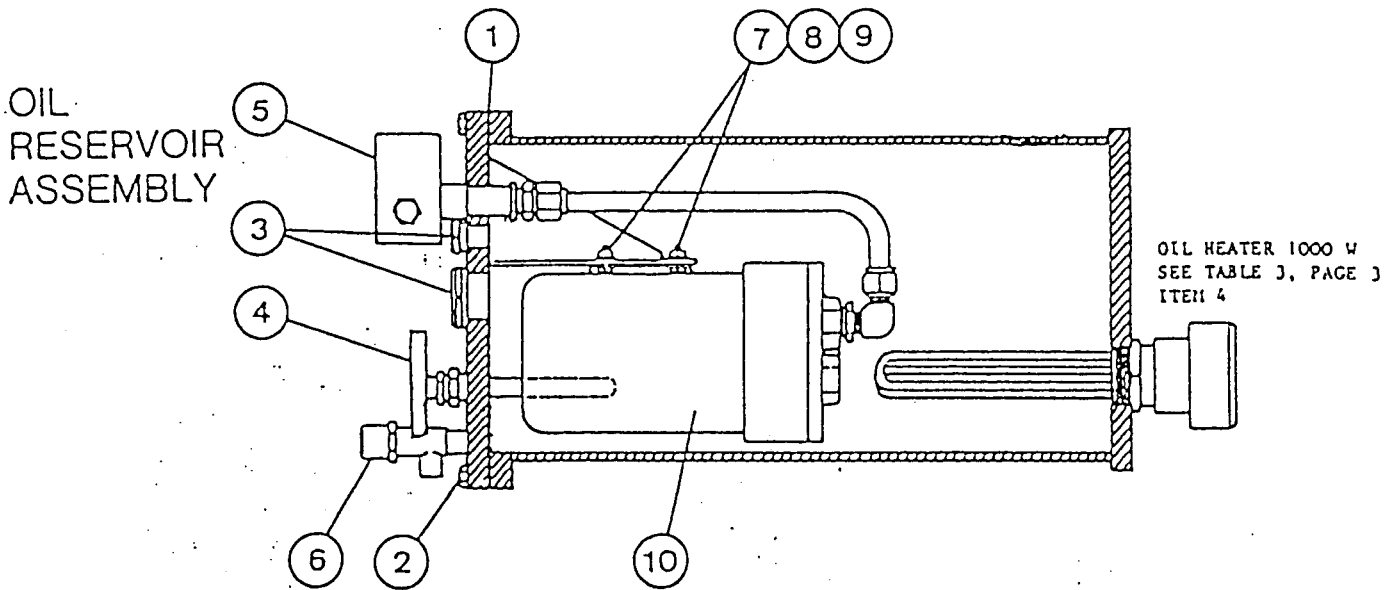
SHELL TUBES - Fig. 10 - see table 7



SHELL COMPONENTS - Table 7 - see fig. 8, 9, 10

ITEM	DESCRIPTION	QTY	PART NUMBER	
1	Sight Glass	1	026L00055B000	
2	Gland, Sight Glass	1	067-27590A000	
3	Gasket, Sight Glass	2	070-16406A000	
4	Gasket, Water Heads (in metres), Bulb Type	B1-B3	6.1	028-03242K000
		C1-C2	7.3	
		D1-D2	7.6	
		E1-F1	7.9	
		G1-G2	8.6	
5	Gasket, Flow Control Chamber	1	028L00324-000	
6	Orifice Plate, to Capacity TR and Relevant Code (F, G ...)	120-167 F	1	066-26042B001
		168-192 G	1	066-26042B002
		193-228 H	1	066-26042B003
		229-258 I	1	066-26042B004
		259-290 J	1	066-26042B005
		291-320 K	1	066-26042B006
		321-350 L	1	066-26042B007
		351-415 M (TR) 416-485 N	1	066-26042B008
7	Gasket, Water Heads, Channel Type, 92 cm.	1	028-08547A000	

ITEM	DESCRIPTION	QTY	PART NUMBER	
8	Nut Hex, Flow Control Chamber	4	021-00461 000	
9	Lockwasher for Item 8	4	021L00419 000	
10	Condenser Tubes	B1	108	007-06230 000
		B2	120	
		B3	136	
		C1	160	
		C2	184	
		D1	190	
		D2	210	
		E1	232	
		F1	258	
		G1	294	
		G2	294	
		11	Cooler Tubes	
B2	106			
B3	118			
C1	142			
C2	163			
D1	168			
D2	188			
E1	211			
F1	230			
G1	313			
G2	313			



ITEM	DESCRIPTION	QTY	PART NUMBER
1	Gasket	1	028L00367 000
2	Screw, Cap Hex	12	021-01485 000
3	Sight Glass	2	026-16556 000
4	Thermometer	1	026-21975 000
5	Valve, Relief	1	022-06801 000
6	Valve, Stop	1	022-03834 000

ITEM	DESCRIPTION	QTY	PART NUMBER
7	Screw, Cap Hex	4	021-01418 000
8	Nut, Hex	4	021-00461 000
9	Washer	4	021-01262 000
10	Oil Pump and Motor 380, 400, 415V-3-50 Hz	1	026-28158 000
		1	024-23154 000

YORK

YORK International Limited, Gardiners Lane South, Basildon, Essex SS14 3HE, ENGLAND

Because of our policy of continuous improvement, we reserve the right to make changes in all specifications without notice.

FORM L.160.43.58.RP.E(184)