
	<small>BS5750 PART 1</small>  <small>CERT NO. FM 970 QAS NO. 3284/98</small>	FORM: L 160.43 RP1 PAGE No. 1 of 8 EFFECTIVE DATE: 30th MAY 1977
		<small>FILE: SERVICE/PARTS MANUAL</small>
RENEWAL PARTS		SUPERSEDES FORM: L160.43 RP(175) Sect.1 PAGE No. ALL DATED: 1st JAN 1975
		<small>MAILING CODE: LS/R</small>

HT TURBOPAKS

UNIT PARTS

MODELS HT A1 TO HT C2

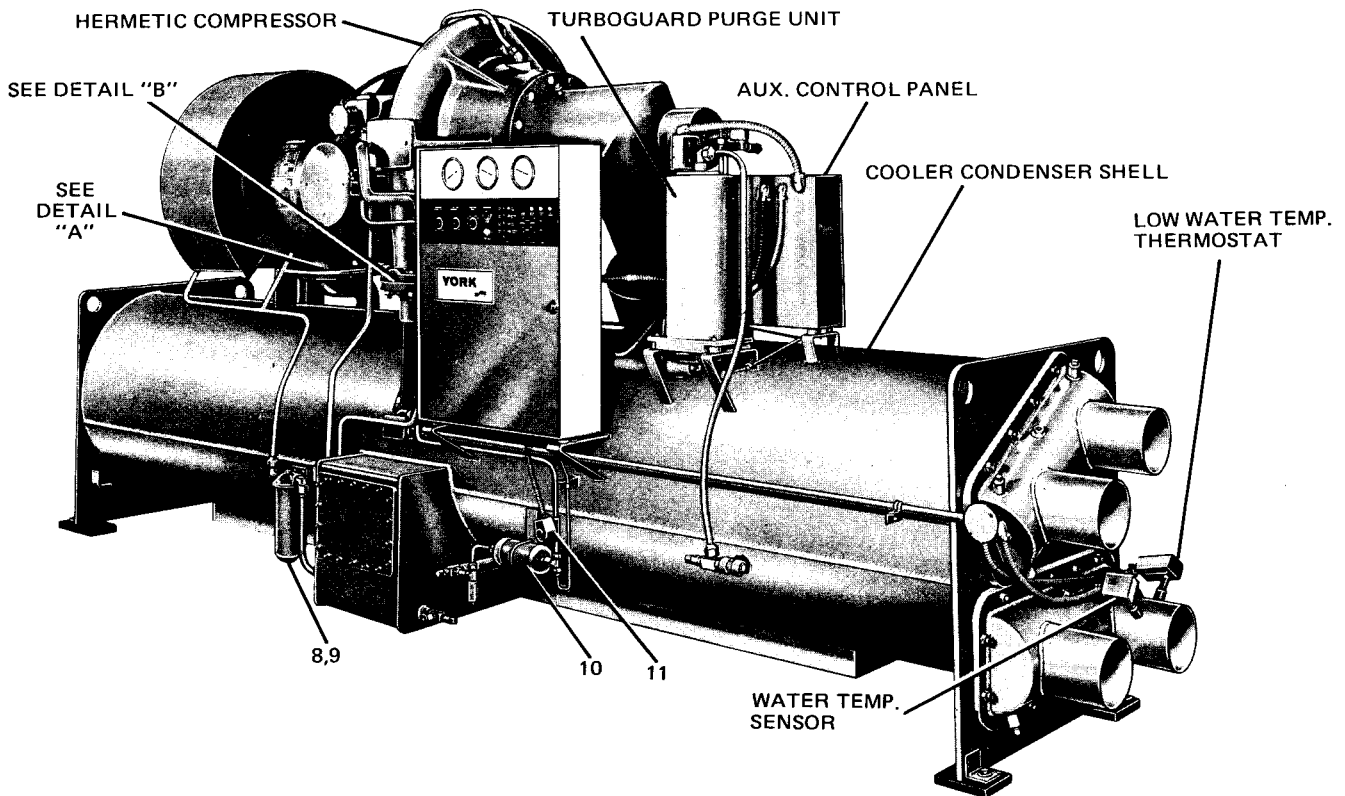
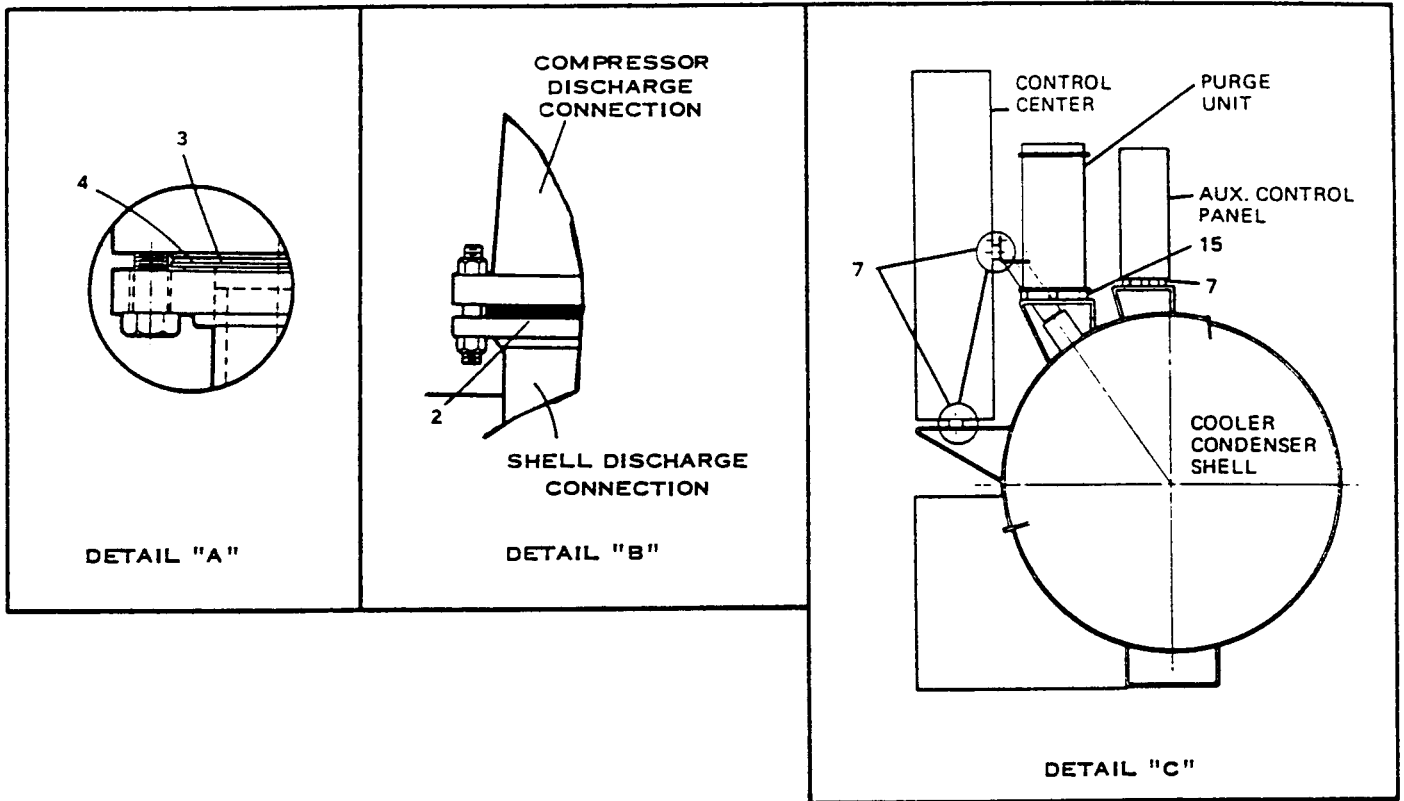


FIG. 1 — HERMETIC TURBOPAK (FRONT VIEW)

MODELS HT A1 TO HT C2

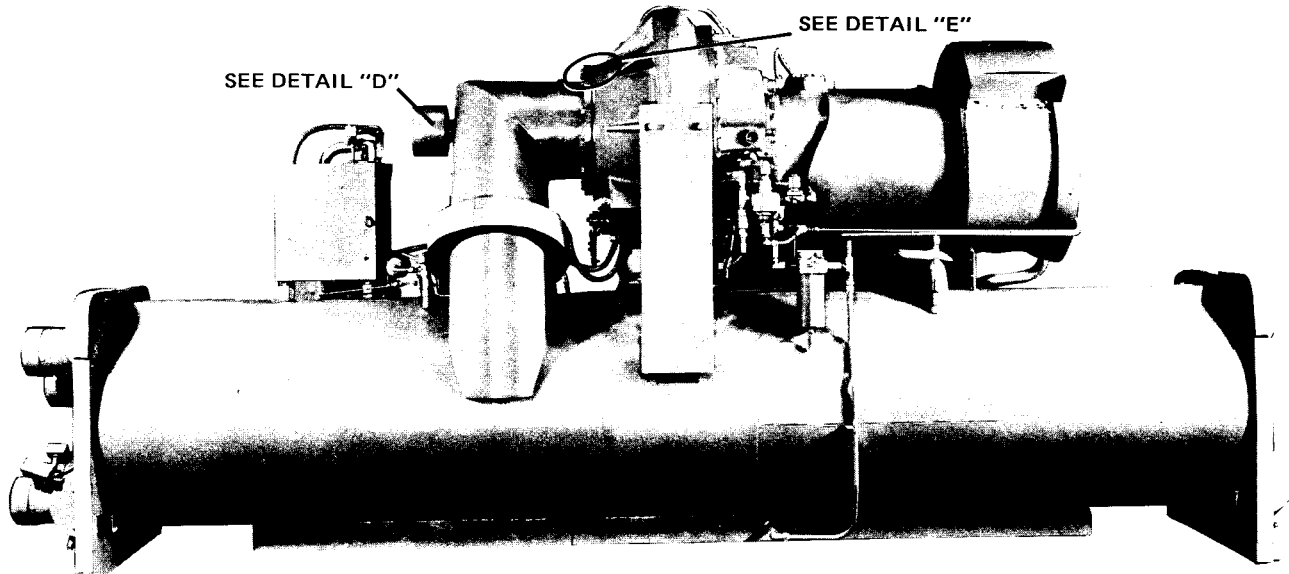
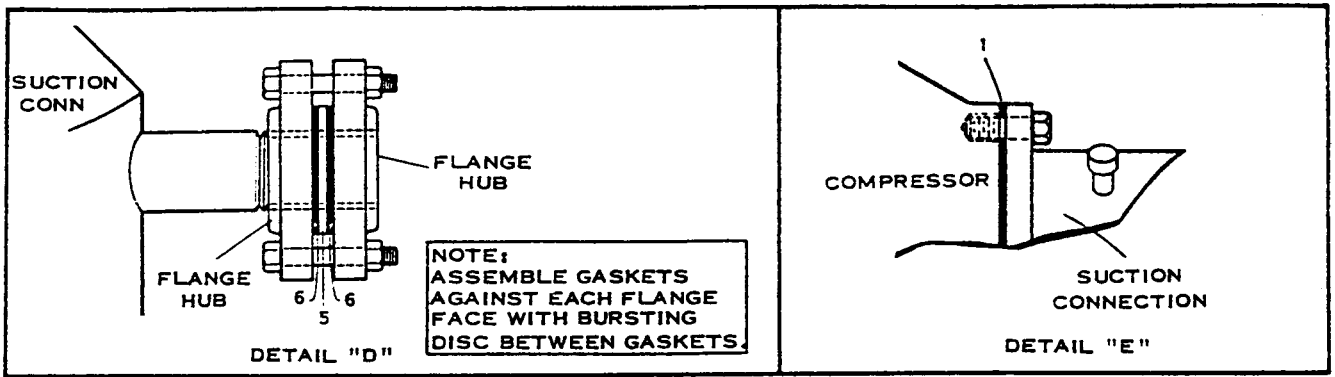


FIG. 2 — HERMETIC TURBOPAK (REAR VIEW)

TABLE 1 — HERMETIC TURBOPAK SYSTEM COMPONENTS

ITEM No.	DESCRIPTION	PART NUMBER	QUANTITY PER HT UNIT				
			SHELL CODE				
			A1-A5	B1-B3	C1-C2	D1-G2	H1-K3
1	Gasket, suction connection	028L00322 001	2	—	—	—	—
		028L00322 002	—	2	2	—	—
		028L00322 003	—	—	—	2	—
		028L00322 004	—	—	—	—	2
2	Gasket, discharge	070-12343A000	1	—	—	—	—
		028L00114A000	—	1	1	—	—
		070-10630K000	—	—	—	1	—
		070-10633K000	—	—	—	—	1
3	Gasket, motor cooling liquid outlet connection	066-23475 000	2	—	—	—	—
		066-23477 000	—	2	2	2	—
		066-23476 000	—	—	—	—	1
4	Orifice plate motor cooling liquid outlet*	066-38720B002	1	—	—	—	—
		066-38721B001	—	1	1	1	—
5	Bursting disc**	064L00344 000	1	1	1	1	1
6	Gasket, bursting disc	028L00207G000	2	2	2	2	2

MODELS HT D1 TO HT K3

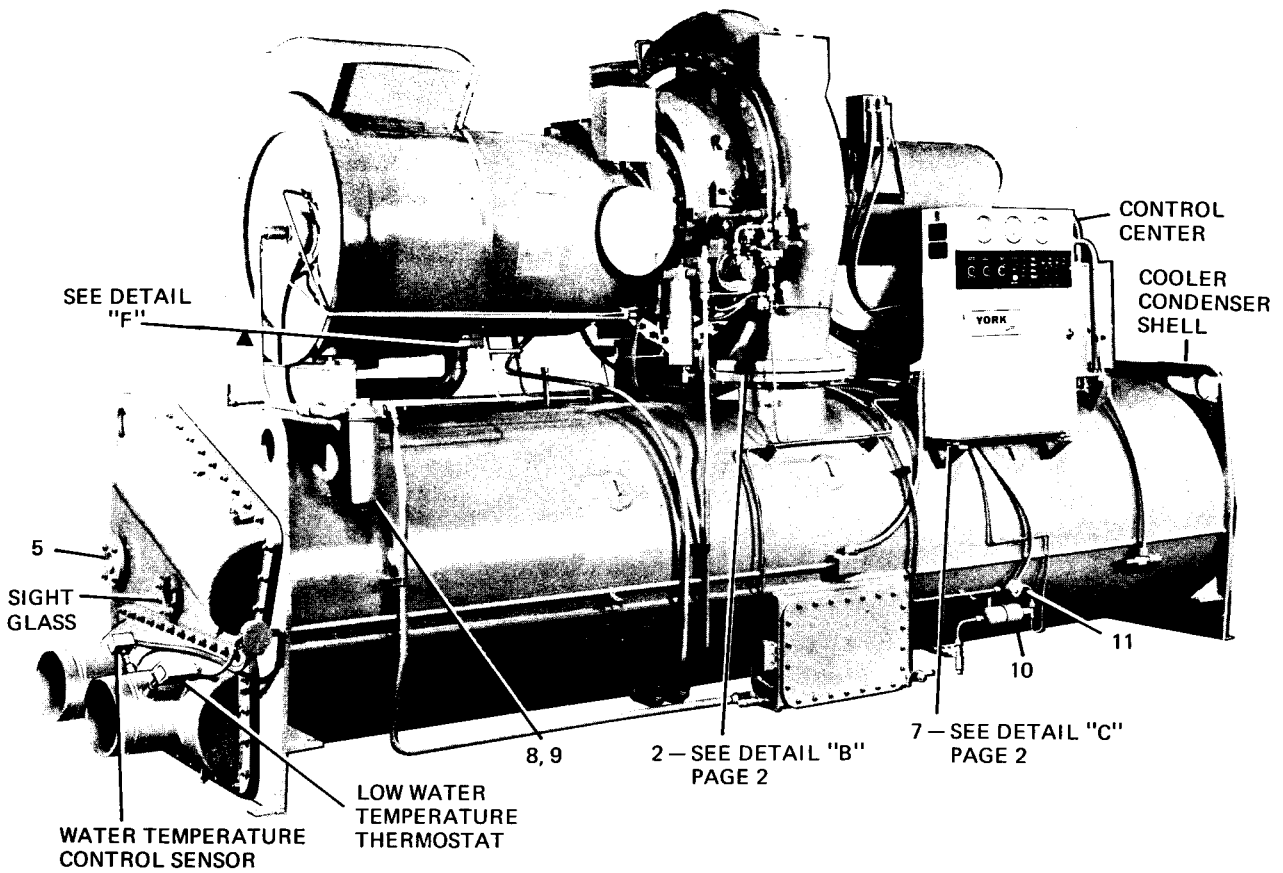
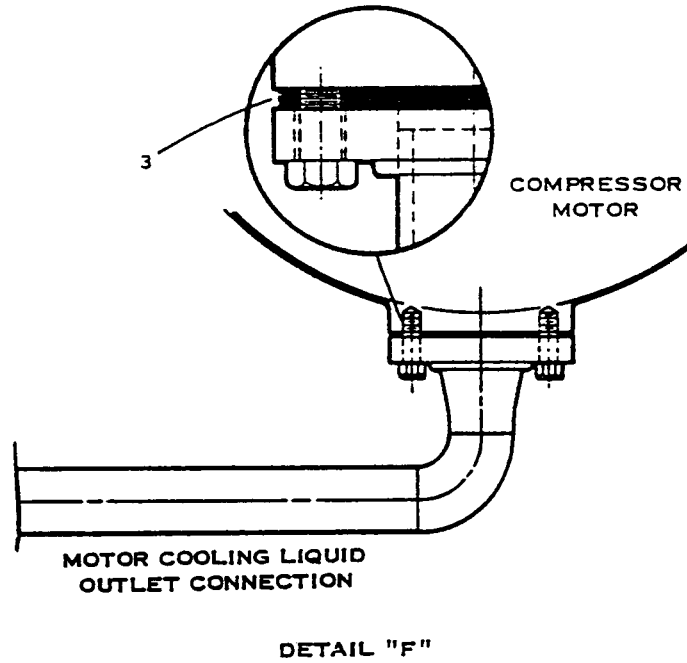


FIG. 3 - HERMETIC TURBOPAK (FRONT VIEW)

MODELS HT D1 TO HT K3

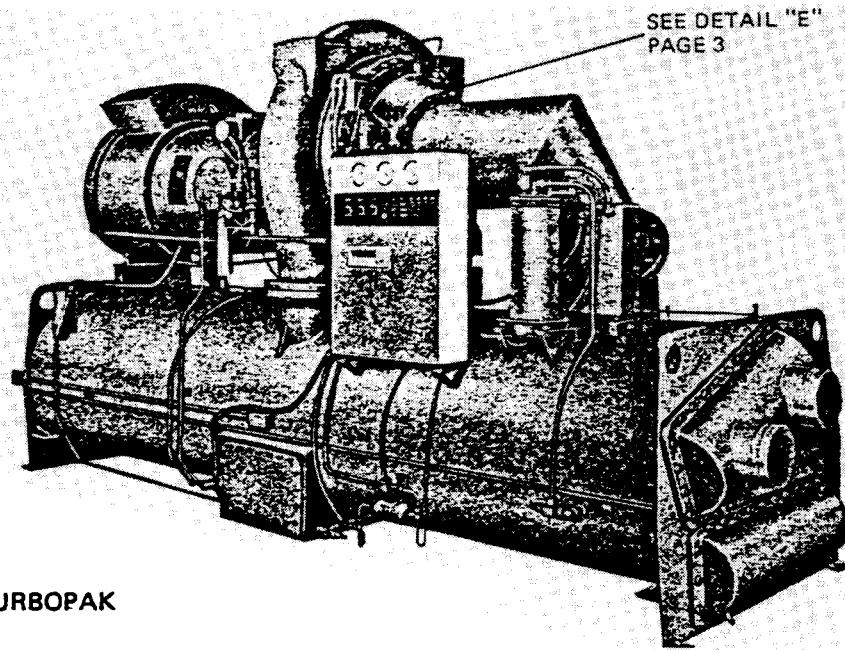


FIG. 4 — HERMETIC TURBOPAK

TABLE 1 (cont) — HERMETIC TURBOPAK SYSTEM COMPONENTS

ITEM No.	DESCRIPTION	PART NUMBER	QUANTITY PER HT UNIT				
			SHELL CODE				
			A1-A5	B1-B3	C1-C2	D1-G2	H1-K3
7	Vibration isolators, unit control centre and purge control centre	028-04260C021	7	7	7	7	7
8	Filter cartridge, motor cooling refrigerant	026L00015 000	1	1	1	1	1
9	Filter complete	364L00548C000	1	1	1	1	1
10	Dehydrator, oil return to compressor	026L00142 000	2	2	2	2	2
11	Solenoid valve, oil return to compressor (ORSV)	025L00268 000	1	1	1	1	1
12	Solenoid valve, purge oil (POSV)	025L00307 000	1	1	1	1	1
13	Check valve, purge unit	068L00398 000	1	1	1	1	1
14	Eductor, oil return to compressor	364-18241A000	1	1	1	1	1
15	Vibration isolator, purge unit	028-04260C026	4	4	4	4	4
16	Bursting disc kit, including items 5 and 6 plus holder	364L00447T000	1	1	1	1	1

* Varies according to motor code — state motor code when ordering.

** For models HT A1-G2 bursting disc assembly is located on suction connection, for models HT H1-K3 bursting disc is located on tube sheet (motor end).

ISOLATORS, NEOPRENE

SHELL CODE	PART NUMBER	QTY PER H.T. UNIT
A1 to G2	028-09254B000	4
H1 to K3	028-09253B000	4



FIG. 5 — NEOPRENE ISOLATOR INSTALLATION

OPTIONAL SPRING — ISOLATORS (4 PER UNIT)

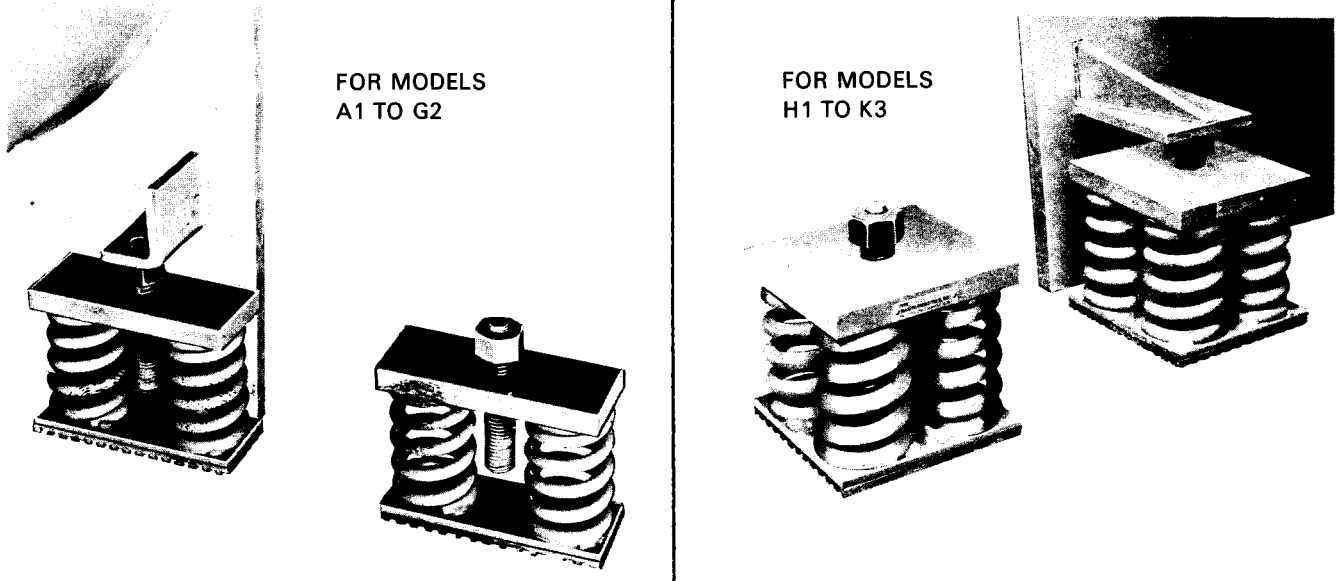


FIG. 6 — SPRING ISOLATORS

(Recommended for Installations above ground level)

SHELL CODE	UNIT W/COMPACT WATER BOXES PART NUMBER	UNIT W/MARINE WATER BOXES PART NUMBER
A1, A2, A3, A4, A5	029-11412C000	029-11412D000
B1, B2, B3	029-11413C000	029-11413C000
C1, C2	029-11413C000	029-11414C000
D1, D2	029-11414C000	029-11414C000
E1	029-11414C000	029-11415C000
F1, G1, G2	029-11415C000	029-11415C000
H1, H2, H3, H4	029-13006D000	029-13006D000
J1, J2, J3	029-13006D000	029-11579D000
K1, K2, K3	029-11579D000	029-11579D000