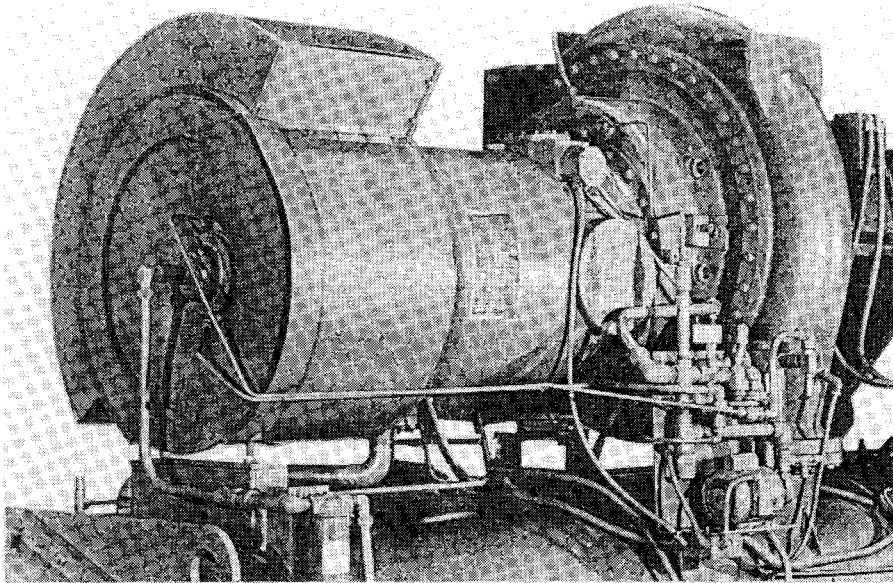


### MODEL HT A1 A3 TO HT K3 E3 (STYLE C)

### HERMETIC TYPE COMPRESSORS

### MODELS MTD53 TO MTD126



Compr Code	Motor Code	Compr Model	60 Hz Low Voltage	60 Hz High Voltage	50/60 Hz High Voltage	50 Hz Low Voltage	50 Hz High Voltage	Variable Parts		Pages
								Table	Pages	
A3	AA, AB	MTD 53	364-42244-002	—	—	364-42244-004	—	1	14	12-19
A4	AA, AB	MTD 59	364-42244-003	—	—	364-42240-005	—			
B1	BA, BB	MTD 67	364-42240-002	—	364-42240-003	364-42240-006	—	2	22-23	24-29
B2	BA, BB BC	MTD 76	364-42240-004 364-42240-008	364-42240-009	—	364-42240-007 364-42240-010	364-42240-011			
C1	BB BC, BD	MTD 85	364-42240-009 364-42240-002	364-42555-003	—	364-42243-011 364-42243-006	364-42243-012	3		
C2	BC BD, BC BD, BE BD	MTD 95	364-42243-004 364-42243-007	364-42555-005 364-42555-008	— —	— —	364-42243-008 —	3	32-33	30-38

Compr Code	Motor Code	Compr Model	50/60 Hz 208-240 V	50/60 Hz 380-600 V	50/60 Hz High Volt	Variable Parts		Pages
						Table	Pages	
E1	EA, EB EC, ED	MTD 108	364-42557-008	364-42557-002	364-42557-003	4	42-43	43-39
E2	EA, EB EC, ED	MTD 120	364-42557-009	364-42557-004	364-42557-005	4		
E3	EB, EC ED	MTD 126	LOW 364-42557-010	364-42557-006	364-42557-007	4		

HERMETIC COMPRESSOR PARTS LIST

TABLE 1— VARIABLE PARTS

ITEM NO.	DESCRIPTION	MODELS MTD 53 - 59		MODELS MTD 67 - 76		MODELS MTD 85 - 95		MODELS MTD 108 - 120 - 126	
		PART NO.	QUAN.	PART NO.	QUAN.	PART NO.	QUAN.	PART NO.	QUAN.
1	ROTOR, SCROLL HOUSING*	064-32534	1	064-32513	1	064-12167	1	Table 4, pg. 42	1
2	PREROTATION VANE ASSEMBLY	Table 1, pg. 14	-	Table 2, pg. 22	-	Table 3, pg. 32	-	Table 4, pg. 42	-
3	NOZZLE PLATE BASE	Table 1, pg. 14	-	Table 2, pg. 22	-	Table 3, pg. 32	-	Table 4, pg. 42	-
4	RETAINER NOZZLE BASE PLATE	-	-	-	-	-	-	★ Table 4, p. 42	-
5	GASKET RETAINER TO NOZZLE BASE PLATE	-	-	-	-	-	-	Table 4, pg. 42	-
6	IMPELLER SEAL RING	Table 1, pg. 14	-	Table 2, pg. 22	-	Table 3, pg. 32	-	Table 4, pg. 42	-
7	FLAT SPRING WASHER	064-13817	1	Table 2, pg. 22	-	Table 3, pg. 32	-	Table 4, pg. 42	-
8	RETAINING RING, IMPELLER SEAL-INTERNAL	064L00570	1	Table 2, pg. 22	-	Table 3, pg. 32	-	-	-
9	DIFFUSER PLATE	Table 1, pg. 14	-	Table 2, pg. 22	-	Table 3, pg. 32	-	Table 4, pg. 42	-
10	ROTOR SUPPORT & BEARING HOUSING	364-39315	1	364-39317	1	364-39319	1	364-39321	1
11	MAIN SHAFT BEARING	† 064-09241	1	■ 064-11642	1	● 064-27568	1	★ 064-22678	1
12	ROLL PIN, 1/8 DIA. x 9/16 LG.	† 029L00003	1	■ 029-03990	1	● 029-03990	1	★ 029-03990	1
13	PINION GEAR BEARING	† 064-12285	1	■ 064-11643	1	● 064-11643	1	★ 064-22863	1
14	RETAINING RING INTERNAL	029-07213	3	029-08496	1	029-08496	1	029L00022	1
15	BEARING GEAR FRONT	† 064-13837	1	■ 064-13845	1	● 064-13845	1	★ 064-22677	1
16	DRIVE GEAR	SEE NAME PLATE	1	SEE NAME PLATE	1	SEE NAME PLATE	1	SEE NAME PLATE	1
17	PINION GEAR	SEE NAME PLATE	1	SEE NAME PLATE	1	SEE NAME PLATE	1	SEE NAME PLATE	1
18	DRIVE SHAFT	Table 1, pg. 14	-	Table 2, pg. 22	-	Table 3, pg. 32	-	064-25493	1
19	REAR GEAR BEARING	† 064-20925	1	■ 064-20643	1	● 064-20643	1	★ 064-23112	1
20	DRIVE SHAFT SEAL RING	† 064-17817	1	■ 064-24452	1	● 064-24452	1	064-23106	1
21	"O" RING	-	-	■ 028-07901	1	● 028-07901	1	-	-
22	RET. RING INTERNAL-DRIVE SHAFT SEAL	029-08321	1	029-06722	1	029-06722	1	029-08604	1
23	THRUST BEARING	† 064-12284	1	■ 064-11644	1	● 064-11644	1	★ 064-22662	1
24	THRUST COLLAR-HIGH SPEED OIL PUMP	† 064-09587	1	■ 064-11654	1	TABLE 3	-	★ 064-22713	1
25	"O" RING	† 028-04409	1	■ 028-04352	1	● 028-04352	1	★ 028-04517	1
26	OIL PUMP COVER-HIGH SPEED	064-12317	1	064-11660	1	064-11660	1	064-22707	1
27	PRESSURE PLATE-OIL PUMP H.S.	064-12548	1	064-11819	1	064-11819	1	064-22984	1
28	INSERT PIN - 3/16 DIA. x 1/2 LG.	029-04138	3	029-04138	2	029-04138	2	029-04138	2
29	BEARING HOUSING GASKET	† 064-12414	1	■ 064-11802	1	● 064-15515	1	★ 064-23024	1
30	"O" RING	† 028-04989	1	■ 028-05401	1	● 028-05401	1	-	-
31	VOLUTE RING, LOW SPEED PUMP	† Table 1, pg. 14	-	■ Table 2, p. 14	-	● Table 3, pg. 32	-	★ 028-04478	1
32	INSERT PIN	-	-	-	-	● 064-21467	1	★ 064-13695	1
33	OIL PUMP, LOW SPEED	† 064-13828	1	064-13841	1	029-07014	1	029-06863	1
34	OIL PUMP HOUSING	064-13838	1	064-13842	1	064-15509	1	064-13911	1
35	THRUST PLATE	-	-	-	-	-	-	064-15256	1
36	BACK-UP PLATE	-	-	-	-	064-14989	1	-	-
37	RETAINING RING, INTERNAL	-	-	-	-	064-14988	1	-	-
38	GASKET, 2 3/4 OD x 1 1/2 ID x 1/16 THK	-	-	-	-	029-08736	1	-	-
39	SUCTION, CONNECTION LOW SPEED PUMP	-	-	-	-	● 064-15521	1	-	-
40		-	-	-	-	064-21476	1	-	-
41		-	-	-	-	-	-	-	-

† PARTS INCLUDED FIELD REPLACEMENT KIT - 464-29625 - COMPR. MODEL MTD53 AND MTD59.  
 ■ PARTS INCLUDED FIELD REPLACEMENT KIT - 464-29627 - COMPR. MODEL MTD67 AND MTD76.  
 ● PARTS INCLUDED FIELD REPLACEMENT KIT - 464-29629 - COMPR. MODEL MTD85 AND MTD95.  
 ★ PARTS INCLUDED FIELD REPLACEMENT KIT - 464-29631 - COMPR. MODEL MTD108, MTD120, AND MTD126.

HERMETIC COMPRESSOR PARTS LIST

ITEM NO.	DESCRIPTION	MODELS MTD 53 - 59		MODELS MTD 67 - 76		MODELS MTD 85 - 95		MODELS MTD 108 - 120 - 126	
		PART NO.	QUAN.	PART NO.	QUAN.	PART NO.	QUAN.	PART NO.	QUAN.
42	SUCTION TUBE - LOW SPEED OIL PUMP	-	-	-	-	064-15519	2	-	-
43	"O" RING 1" OD x 3/4 ID x 1/8 THK	-	-	-	-	● 028-03282	2	-	-
44	INNER SEAL PLATE GASKET	† 070-12260	1	■ 064-11806	1	● 064-12144	1	★ 064-23013	1
45	SEAL PLATE	064-12259	1	064-11656	1	064-12252	1	064-22964	1
46	OIL SEPARATOR GASKET	† 070-15440	1	■ 064-11803	1	● 064-12145	1	★ 064-23014	1
47	INSERT PIN	-	-	029-06855	1	029-06875	1	029-06855	1
48	ROTOR SUPPORT TO OIL SEPARATOR GASKET	-	-	-	-	-	-	★ 064-23012	1
49	OIL SEPARATOR PLATE	064-21066	1	064-20436	1	064-21431	1	Table 4, pg. 42	-
50	RING SEAL (IMPELLER)	† 064-21073	1	■ 064-20435	1	● 064-21430	1	★ Table 4, p. 42	-
51	FLAT SPRING WASHER	064-12887	1	064-12887	1	064-21429	1	Table 4, pg. 42	-
52	RETAINING RING INTERNAL	029-05601	1	029-05601	1	029-08600	1	Table 4, pg. 42	-
53	MAIN SHAFT (HIGH SPEED)	064-12512	1	064-11655	1	Table 3, pg. 32	-	064-22729	1
54	IMPELLER	Table 1, pg. 14	-	Table 2, pg. 22	-	Table 3, pg. 32	-	Table 4, pg. 42	-
55	IMPELLER CLAMPING COLLAR	064-09228	1	064-11659	1	064-21477	1	Table 4, pg. 42	-
56	SPECIAL WASHER	064-16500	1	064-16500	1	064-21478	1	064-23093	-
57	CAP SCREW, 12 PT. HD. - 5/8 - 18 UNF x 2 3/4 LG.	021L00499	1	-	-	-	-	-	-
58	CAP SCREW, 12 PT. HD. - 5/8 - 18 UNF x 3 3/4 LG.	-	-	021L00021	1	-	-	-	-
59	CAP SCREW, 12 PT. HD. - 3/4 - 16 UNF x 4 3/4 LG.	-	-	-	-	021L00039	1	-	-
60	CAP SCREW, 12 PT. HD. - 1/2 - 20 UNF-3A x 6 LG.	† 064-20802	1	■ 064-02660	1	● 064-21463	1	021-11998	4
61	BASE PLATE NOZZLE GASKET	-	-	-	-	064-29866	1	★ Table 4, p. 42	-
62	PRV GASKET TO SCROLL	064-26777	1	064-27980	1	-	-	★ 064-23008	1
63	ROTOR SUPPORT GASKET TO SCROLL	-	-	-	-	-	-	★ 064-23015	1
64	SIGHT GLASS	-	-	-	-	-	-	-	-
65	"O" RING - 3" O.D. x 1/16" SECT.	028-09561	-	028-09562	-	028-09562	-	028-09577	-
66	HAND HOLE COVER	064-21997	1	064-21997	1	064-21997	1	064-21997	1
67	GASKET	† 064-22039	1	■ 064-22039	1	● 064-22039	1	★ 064-22039	1
68	DOWEL PIN 1/2" DIA. x 2" LG.	029-10646	3	029-10646	1	029-10646	3	029-10646	3
69	TERMINAL ELECT.	025-18134	4	025-18134	1	025-18134	-	025-18134	-
70	ADAPTER PIPE	064-27915	4	-	-	-	-	064-27915	4
71	TERMINAL (PUSH-ON)	025L00033001	4	025L00033001	4	025L00033001	4	025L00033001	4
72	ELECTRICAL BOX OCT. CONCRETE RING	025-10290	1	Table 2, pg. 22	-	Table 3, pg. 32	-	Table 4, pg. 42	-
73	ELECTRICAL BOX COVER	025-10291	1	Table 2, pg. 22	-	Table 3, pg. 32	-	Table 4, pg. 42	-
74	PLUG PIPE SQ. SOC. HD. 1-1/2 NPT	-	-	-	-	-	-	-	-
75	ELL, 45° 3/4 TUBE x 3/4 MPT	023L00030	2	023L00030	2	023L00030	2	023L00030	2
76	OIL ELIMINATOR (FRAME TYPE)	364-13699	1	364-13441	1	364-18474	1	364-23041	1
77	OIL ELIMINATOR (CAN TYPE)	364-13347	1	364-13347	2	364-13347	2	-	-
78	COUPLING, 1/2 TUBE x 1/2 FPT	023L00493	1	-	-	-	-	-	-
79	COUPLING, 5/8 TUBE x 1/2 FPT	-	-	023-07342	2	-	-	-	-
80	COUPLING, 3/4 TUBE x 1/2 FPT	064-07317	1	064-07317	2	023-07661	2	-	-
81	SPECIAL CONNECTION	023-07342	1	-	-	-	-	064-07315	2
82	COUPLING, 5/8 TUBE x 1/2 FPT	-	-	-	-	-	-	-	-

† PARTS INCLUDED FIELD REPLACEMENT KIT - 464-29625 - COMPR. MODEL MTD53 AND MTD59.  
 ■ PARTS INCLUDED FIELD REPLACEMENT KIT - 464-29627 - COMPR. MODEL MTD67 AND MTD76.  
 ● PARTS INCLUDED FIELD REPLACEMENT KIT - 464-29629 - COMPR. MODEL MTD85 AND MTD95.  
 ★ PARTS INCLUDED FIELD REPLACEMENT KIT - 464-29631 - COMPR. MODEL MTD108 MTD120, AND MTD126.

HERMETIC COMPRESSOR PARTS LIST

(Table 1 - pg. 14), (Table 2 - pg. 22), (Table 3 - pg. 32), (Table 4 - pg. 42)

ITEM NO.	DESCRIPTION	MODELS MTD 53 - 59		MODELS MTD 67 - 76		MODELS MTD 85 - 95		MODELS MTD 108 - 120 - 126	
		PART NO.	QUAN.	PART NO.	QUAN.	PART NO.	QUAN.	PART NO.	QUAN.
78	PIPE PLUG, HEX. SOCKET HEAD - 1/2	023-01994	4	023-01994	3	023-01994	3	023-01994	4
79	PIPE PLUG, 1/4 - 18 NPT	023-01973	4	023-01973	7	023-01973	6	023-01973	4
80	PIPE PLUG, 1"							064-23128	1
81	1 1/2 PLUG, SIGHT	026-16556	2	026-16556	2	026-16556	2	026-16556	2
82	PIPE PLUG, 2"	023-02027	1					023-10854	1
83	ELBOW, STREET SCR. 1"								
84	PIPE PLUG, 3/4 - 14 NPT, SQ. CSK.	023-04208	2						
85	PIPE PLUG, 3/4 - NPT	023-04053	3	023-04053	3	023-04053	4	023-04053	3
86	PIPE PLUG, 1/2 SQ. HEX.	023-01994	2	023-01994	2	023-01994	1	023-01994	2
87	PLUG 1 1/16-12UNF-2 W/ "O" RING *(028-07848)	223L00462	1	223L00462	1	223L00462	1	223L00462	1
88	FLARELESS PLUG W/ "O" RING *(028-07759)	023-07158	1	023-07158	1	023-07158	1		
89	GASKET, 4 5/8 O.D. x 3 3/4 I.D. x 1/16 THK.	† 064-26781	1	■ 064-26781	1	● 064-26781	1	★ 064-26781	1
90	OIL FILTER COVER	064-26780	1	064-26780	1	064-26780	1	064-26780	1
91	TUBING, 1/2 O.D. x .049 WALL x 21 LG.	003-00243	1						
92	TUBING, 3/8 O.D. x .049 WALL x 17 LG.	003L00018	1	003L00018	1	003L00018	1	003L00018	2
93	TUBING, 5/8 O.D. x .049 WALL x 25 LG.	003-00810	1	003-00810	1				
94	TUBING, 3/4 O.D. x .049 WALL x 24 LG.	003-00952	1	003-00952	1				
95	CONNECTION - VENT TUBE	064-15981	1			064-15533	1		
96	EXTENSION TUBE	364L00392	1	064-14316	1				
98	"O" RING, 1 3/8 O.D. x 1 1/8 I.D. x 1/8 SECT.	† 028-04353	3	■ 028-04353	3	● 028-04353	2	★ 028-04353	2
99	"O" RING, 1 7/8 O.D. x 1 5/8 I.D. x 1/8 SECT.	† 028-04861	1	■ 028-04861	1				
100	"O" RING, 1" O.D. x 7/8 I.D. x 1/16 SECT.	028L00004	1						
101	"O" RING, 1 1/8 O.D. x 15/16 I.D. x 3/32 SECT.	028-05403	1	■ 028-05403	1	● 028-05403	1	★ 028-05403	1
102									
103									
104	"O" RING, 1 1/4 O.D. x 1 I.D. x 1/8 SECT.	† 028-04522	2	■ 028-04522	2	● 028-04522	1	★ 028-04522	1
105	ADAPTER	064-20636	1	064-20636	1				
106	GASKET, OIL JET	† 064-12101	1	■ 064-12101	1				
107	ELBOW, 90°	023-06815	1	023-05524	2	023-05524	2		
108	ELBOW, SCREW 90° - 3/4 FPT	023-04313	1						
109	ELBOW, STREET 90° 1/4 NPTI x 1/4 NPTE	023-1684	1						
110									
111	ELBOW, 90° 1/2 TUBE x 1/4 NPTE					023-08878	1	023-08803	2
112	ELBOW, 90°, 5/8 TUBE x 1/2 MPT	023-06818	2						
113	ELBOW, 90°, 1/2 TUBE x 3/8 MPT							023-06816	1
114	ELBOW, 45°, 3/8 TUBE x 1/4 MPT	023-07092	3	023-07092	1	023-07092	2		
115	ELBOW, 90°, 1/2 TUBE x 3/8 MPT	023-06816	1	023-07172	2	023-07172	1	023-07172	1
116									
117	ELBOW, 90°, 3/4 TUBE x 3/4 MPT					023-06820	5		

\* "O" RING PART OF FIELD REPLACEMENT KIT.

† PARTS INCLUDED FIELD REPLACEMENT KIT - 464-29625 - COMPR. MODEL MTD53 AND MTD59.

■ PARTS INCLUDED FIELD REPLACEMENT KIT - 464-29627 - COMPR. MODEL MTD67 AND MTD76.

● PARTS INCLUDED FIELD REPLACEMENT KIT - 464-29629 - COMPR. MODEL MTD85 AND MTD95.

★ PARTS INCLUDED FIELD REPLACEMENT KIT - 464-29631 - COMPR. MODEL MTD 108, MTD 120, AND MTD126.

HERMETIC COMPRESSOR PARTS LIST

ITEM NO.	DESCRIPTION	MODELS MTD 53 - 59		MODELS MTD 67 - 76		MODELS MTD 85 - 95		MODELS MTD 108 - 120 - 126	
		PART NO.	QUAN.	PART NO.	QUAN.	PART NO.	QUAN.	PART NO.	QUAN.
118		-	-	-	-	-	-	-	-
119		-	-	-	-	-	-	-	-
120		-	-	-	-	-	-	-	-
121		-	-	-	-	-	-	-	-
122	ELBOW, CINCH, 90°, 3/8 T. x 3/8 MPT	-	-	-	-	-	-	-	-
123	CONNECTOR, 3/8 TUBE x 1/4 MPT	023-06801	2	023-06801	3	023-06801	3	023-06815	1
124		-	-	-	-	-	-	023-06801	3
125	CONNECTOR, 3/8 TUBE x 3/8 MPT	023-06802	1	023-08562	-	-	-	023-06802	2
126	CONNECTOR 1/2 TUBE x 1/4 NPTE	-	-	-	-	-	-	-	-
127		-	-	-	-	-	-	-	-
128	CONNECTOR, 5/8 T x 1/2 MPT	-	-	023-06805	1	-	-	-	-
129	CONNECTOR, 3/8 TUBE x 1/8 NPT	023-09128	2	-	-	-	-	-	-
130	TEE, SCREW 3/4 x 3/4 x 1/2	023-04357	1	023-04357	1	023-04357	1	023-04357	1
131	TEE, SCR 1/4 FPT	023-04334	1	-	-	-	-	-	-
132	TEE, CINCH 3/8 TUBE x 3/8 TUBE x 1/4 MPT	-	-	023-09017	1	025-09654	1	023-04342	1
133	TEE, SCR 3/8 TUBE x 3/8 TUBE x 1/4 MPT	-	-	-	-	-	-	-	-
134		-	-	-	-	-	-	-	-
135		-	-	-	-	-	-	-	-
136		-	-	-	-	-	-	-	-
137		-	-	-	-	-	-	-	-
138		-	-	-	-	-	-	-	-
139		-	-	-	-	-	-	-	-
140		-	-	-	-	-	-	-	-
141		-	-	-	-	-	-	-	-
142		-	-	-	-	-	-	-	-
143		-	-	-	-	-	-	-	-
144		-	-	-	-	-	-	-	-
145	TEE, SCREW 1-1/2	023-04353	1	-	-	-	-	-	-
146		-	-	-	-	-	-	-	-
147	BUSHING, PIPE 1-1/2 x 1/2	023-06023	1	023-06023	1	-	1	-	1
148		-	-	-	-	-	-	-	-
149		-	-	-	-	-	-	-	-
150	NIPPLE, PIPE 1-1/2 SCH. 80 x 1-3/4 LG.	070-01990	1	-	-	-	1	-	1
151		-	-	-	-	-	-	-	-
152	NIPPLE, PIPE - 3/4 SCH. 80 x 2 LG.	070-16054	2	-	-	070-16054	1	-	2
153		-	-	-	-	-	-	-	-
154	NIPPLE, PIPE - 1/2 SCH. 80 x 2 LG.	070-01358	1	-	-	-	-	-	-
155	NIPPLE, PIPE - 1/4 SCH. 80 x 2 LG.	070-00719	1	-	-	-	-	-	-
156	NIPPLE, PIPE - 3/4 SCH. 80 x 2 1/2 LG.	-	-	-	-	-	-	-	-
157	NIPPLE, PIPE - 3/4 SCH. 80 x 1 3/8 LG.	-	-	070-11191	1	-	-	070-01541	1

† PARTS INCLUDED FIELD REPLACEMENT KIT - 464-29625 - COMPR. MODEL MTD53 AND MTD59.  
 ● PARTS INCLUDED FIELD REPLACEMENT KIT - 464-29627 - COMPR. MODEL MTD67 AND MTD76.  
 ○ PARTS INCLUDED FIELD REPLACEMENT KIT - 464-29629 - COMPR. MODEL MTD85 AND MTD95.  
 ★ PARTS INCLUDED FIELD REPLACEMENT KIT - 464-29631 - COMPR. MODEL MTD108, MTD120, AND MTD126.

# HERMETIC COMPRESSOR PARTS LIST

ITEM NO.	DESCRIPTION	MODELS MTD 53 - 59		MODELS MTD 67 - 76		MODELS MTD 85 - 95		MODELS MTD 108 - 120 - 126	
		PART NO.	QUAN.	PART NO.	QUAN.	PART NO.	QUAN.	PART NO.	QUAN.
158									
159									
160									
161	NIPPLE, PIPE 3/8 SCH. 80 x 1" LG.								
162	BUSHING, PIPE 2 x 2-1/2								
163	PIPE 3/4" SCH. 40 x 1 1/2 LG.					023-04049	1	070-00773	1
164	ELBOW, STREET 90° 3/4	070-01542	3					023-04049	1
165	BUSHING, PIPE, 1/4 x 1/8	023-05320	2			023-06725	1		
166									
167									
168	BUSHING, PIPE, 1/4 NPTE x 1/8	023-05320	2						
169									
170	PLUG PIPE SQ. HD. 1" NPTE			023-04054	1	023-04054	1		
171				064-21857	1				
172	CONTROL SHAFT	364-29573	1	364-29573	1	364-29573	1	364-29573	1
173	GASKET, 2 1/2 O.D. x 2 I.D. x 1/16 THK.	† 028-00781	1	■ 028-00781	1	● 028-00781	1	★ 028-00781	1
174	SHAFT CONTROL COVER	064-13909	1	064-13909	1	064-13909	1	064-13909	1
175	SPECIAL WASHER	064-08815	1	064-08815	1	064-08815	1	064-08815	1
176	SCREW, CAP 12PT. HD. 1/2 - 20UNF x 6 LG.	021L00474	1	021L00474	1	021L00474	1	ITEM 57	1
177	LEVER, PRV DEVICE INTERNAL	364-28447	1	364-20399	1	364-21442	1	364-22708	1
178	LEVER, PRV DEVICE	SEE FIG. 10,11		SEE FIG. 20,21		SEE FIG. 31,32		SEE FIG. 41,42	
179									
180	SCREW, SPECIAL, 3/8 - 24 UNF x 1 5/8 LG.	064-10825	1	064-10825	1				
181	SCREW, SPECIAL, 3/8 - 24 UNF x 2 3/4 LG.	064-28428	1						
182	SCREW, SPECIAL, 1/2 - 20 UNF x 5 3/8 LG.			064-12328	3	064-09078	1	064-09070	2
183	FILL PIECE	064-28446	1			064-09069	1		
184	FILL PIECE	064-10821	1						
185	LOCKWASHER, SPRING, 3/8	021-05269	1	021-05269	1				
186	LOCKWASHER, SPRING, 1/2					021-05249	1	021-01083	2
187	PIN, COTTER 3/32 DIA. x 3/4 LG.	021-01083	1	021-01083	1	021-01083	1	021-01083	2
188	NUT, HEX. REG. 3/8 - 24 UNF	021-00474	3						
189	NUT, HEX. REG. 1/2 - 20 UNF					021-10171	3	021-10171	2
190	ROD, ADJUSTABLE					064-09080	1	064-09080	1
191	BEARING, ROD END SPHERICAL	064-10823	1	064-12314	1	029-07015	2	029-07015	2
192	SCREW, SPECIAL 1/2-20UNF - 3 x 1 3/4 LG.	029-08343	2	029-08343	2	064-09079	1	064-09079	2
193	SCREW, CAP HEX. HD., 1/4-20UNC x 1 1/4 LG.	021-01392	1			021-01392	2	021-01379	2
194	SCREW, CAP HEX. HD., 1/4-20UNC-2A x 3/4 LG.	021-01379	1						
195	SCREW, CAP HEX. HD., 1/4-20 x 1" LG.			021-11914	1				
196	SCREW, CAP HEX. HD., 1/4-20 x 1 1/2 LG.			021-11532	1	021-11532	1	021-11532	1
197	SCREW, CAP 12 PT. HD. 5/16-24UNF x 1 3/4 LG.	021-11532	1	021-11532	1	Table 2, pg. 22		Table 4, pg. 42	
198	MOTOR HOUSING	064-42242	1	064-29943	1	064-29943	1	064-22985	1
199	BEARING SUPPORT, COMPRESSOR END	064-25861	1	064-29943	1				

† PARTS INCLUDED FIELD REPLACEMENT KIT - 464-29625 - COMPR. MODEL MTD53 AND MTD59.

■ PARTS INCLUDED FIELD REPLACEMENT KIT - 464-29627 - COMPR. MODEL MTD67 AND MTD76.

● PARTS INCLUDED FIELD REPLACEMENT KIT - 464-29629 - COMPR. MODEL MTD85 AND MTD95.

★ PARTS INCLUDED FIELD REPLACEMENT KIT - 464-29631 - COMPR. MODEL MTD108 MTD120, AND MTD126.

**HERMETIC COMPRESSOR PARTS LIST**

ITEM NO.	DESCRIPTION	MODELS MTD 53-59		MODELS MTD 67-76		MODELS MTD 85-95		MODELS MTD 108-120-126	
		PART NO.	QUAN.	PART NO.	QUAN.	PART NO.	QUAN.	PART NO.	QUAN.
200	BEARING SUPPORT, TERMINAL END	064-25897	1	064-29942	1	064-29942	1	064-23105	1
201	MOTOR BEARING	† 064-25873	2	■ 064-11998	2	● 064-11998	2	★ 064-12325	2
202	INTERNAL RETAINING RING	SEE ITEM 14	-	029-13615	2	029-13615	2	029-06168	2
203	SEAL, RING STEP FACE	† 064-12177	6	■ 064-11997	6	● 064-11997	6	★ 064-12324	6
204	SPRING WASHER	064-09417	5	064-12001	5	064-12001	5	064-12887	5
205	INTERNAL RETAINING RING	029-07197	4	029-08498	4	029-08498	4	029-07176	4
206	STATOR	DATA PLATE	1	DATA PLATE	1	DATA PLATE	1	DATA PLATE	1
207	ROTOR	Table 1, pg. 14	-	Table 2, pg. 22	-	Table 3, pg. 32	-	364-27489	1
208	STATOR LOCKING PLUG	064-12161	1	064-12161	1	064-12161	1	064-12161	1
209	GASKET	† 064-25882	1	■ 064-16871	1	● 064-16871	1	★ 064-23127	1
210	GASKET	† 064-25878	2	■ 064-21995	2	● 064-21995	2	★ 064-23135	2
211	SEAL RETAINING FLANGE	064-25876	1	064-21996	1	064-21996	1	064-23025	1
212	PIPE PLUG, 1/8 NPT HEX SOCKET HD.	023-01970	3	023-01970	2	023-01970	2	023-01970	2
213	PIPE PLUG, 1/8 SOCKET HD.	-	-	023-01969	1	023-01969	1	-	-
214	LIQUID REFRIGERANT SEAL INLET HOUSING	064-25875	1	064-21999	1	064-21999	1	064-23011	1
215	LUG, ELECTRICAL	025-19985	1	Table 4, pg. 22	-	Table 3, pg. 32	-	Table 4, pg. 42	-
216	SCREW, CAP HEX HD. 1/4-20 x 1/2	021-02438	1	Table 4, pg. 22	-	Table 3, pg. 32	-	Table 4, pg. 42	-
217	LUCKWASHER, 1/4	021-08276	1	Table 4, pg. 22	-	Table 3, pg. 32	-	Table 4, pg. 42	-
218	WASHER SPRING	021-05247	6	Table 4, pg. 22	-	Table 3, pg. 32	-	-	-
219	HAND HOLE COVER	064-32320	1	064-32320	1	064-32320	1	064-32320	1
220	HAND HOLE COVER GASKET	† 070-07509	1	■ 070-07509	1	● 070-07509	1	★ 070-07509	1
221	TERMINAL BOLT BUSHING	-	-	Table 2, pg. 22	-	Table 3, pg. 32	-	-	-
222	INSULATING PLATE	025-13669	12	-	-	-	-	-	-
223	-	-	-	-	-	-	-	-	-
224	TERMINAL BOLT	-	-	Table 2, pg. 22	-	-	-	-	-
225	WASHER PLAIN	-	-	Table 2, pg. 22	-	-	-	-	-
226	NUT - JAM HEX.	-	-	Table 2, pg. 22	-	-	-	-	-
227	TERMINAL BRACKET	-	-	Table 2, pg. 22	-	-	-	-	-
228	JUMPER BAR (USED ACROSS LINE ONLY)	064-42259	6	Table 2, pg. 22	-	TABLE 3	-	Table 13, pg. 55	3
229	TERMINAL BOLT LOCKING BAR	Table 13, pg. 55	3	Table 13, pg. 55	3	Table 13, pg. 55	3	-	-
230	TERMINAL BOLT WASHER	-	3	-	-	-	-	-	-
231	SPECIAL WASHER	064-23803	6	Table 2, pg. 22	-	TABLE 3	-	TABLE 4	-
232	SCREW, CAP 12PT. HD. 3/8-16UNC-3A x 1-1/4	064-23816	6	Table 2, pg. 22	-	TABLE 3	-	TABLE 4	-
233	PLAIN WASHER	021-01485	6	Table 2, pg. 22	-	TABLE 3	-	TABLE 4	-
234	NUT, HEX JAM 3/8 - 16 UNC	021-01274	12	Table 2, pg. 22	-	TABLE 3	-	TABLE 4	-
235	INSULATION, THERMAL	021-00466	1	Table 2, pg. 22	-	TABLE 3	-	010L00005	1
236	ADHESIVE	010L00005	AS	Table 2, pg. 22	-	TABLE 3	-	010L00005	AS
237	ELECTRICAL TERMINAL BOX	013L00005	REQ'D	013L00005	AS	013L00005	AS	013L00005	REQ'D
238	END SUPPORT TERMINAL BOX	364-42252	1	364-42276	1	364-24451	1	364-23099	1
239	END SUPPORT TERMINAL BOX	064-42251	2	064-42275	2	064-14959	2	064-23098	1
240	SIDE PANEL TERMINAL BOX	-	-	Table 2, pg. 22	-	Table 3, pg. 32	-	064-23097	1
		-	-	-	-	-	-	364-23101	1

† PARTS INCLUDED FIELD REPLACEMENT KIT - 464-29625 - COMPR. MODEL MTD53 AND MTD59.  
 ■ PARTS INCLUDED FIELD REPLACEMENT KIT - 464-29627 - COMPR. MODEL MTD67 AND MTD76.  
 ● PARTS INCLUDED FIELD REPLACEMENT KIT - 464-29629 - COMPR. MODEL MTD85 AND MTD95.  
 ★ PARTS INCLUDED FIELD REPLACEMENT KIT - 464-29631 - COMPR. MODEL MTD108, MTD120, AND MTD126.

# HERMETIC COMPRESSOR PARTS LIST

ITEM NO.	DESCRIPTION	MODELS MTD 53 - 59		MODELS MTD 67 - 76		MODELS MTD 85 - 95		MODELS MTD 108 - 120 - 126	
		PART NO.	QUAN.	PART NO.	QUAN.	PART NO.	QUAN.	PART NO.	QUAN.
241	INSULATION, THERMAL					TABLE 3			
242	SCREW, CAP 12PT. HD., 1/4-20UNC x 1/2	021-11970	14	TABLE 2		TABLE 3			
243	SCREW, CAP 12PT. HD., 1/4-20UNC x 3/4			TABLE 2		TABLE 3			
244	SCREW, CAP 12PT. HD., 5/16-18UNC x 1" LG.	021-01435	4	021-01435	4	021-01435	4	021-01377	8
245	SCREW, CAP 12PT. HD., 3/8-16UNC x 1" LG.	021-02585	26	021-02585	24	021-02585	24	021-01435	4
246	SCREW, CAP 12PT. HD., 3/8-16UNC x 1-1/4 LG.	021-01486	47	021-01486	49	021-01486	32	021-01486	44
247	SCREW, CAP 12PT. HD., 3/8-16UNC x 1-1/2 LG.	021L00472	12	021L00472	11	021L00472	8	021L00472	32
248	SCREW, CAP 12PT. HD., 3/8-16UNC x 1-3/4 LG.	021L00010	11	021L00010	12	021L00010	20	021L00010	14
249	SCREW, CAP 12PT. HD., 3/8-16UNC x 7/8 LG.	021L00009	12	021-11917	6	021L00009	8	021L00009	8
250	SCREW, CAP 12PT. HD., 3/8-16UNC-3A x 2LG.								
251	SCREW, CAP 12PT. HD., 3/8-24UNF x 1-1/2 LG.					021-14221	3		
252	SCREW, CAP 12PT. HD., 3/8-16UNC x 2-1/4 LG.					021L00038	2		
253	SCREW, CAP 12PT. HD., 3/8-24NF x 1" LG.					021L00017	6		
254	SCREW, CAP 12PT. HD., 3/8-16UNC-3A x 1-1/8 LG.							021-01486	32
255	SCREW, CAP 12PT. HD., 1/2-20UNF x 1-1/2 LG.								
256	SCREW, CAP 12PT. HD., 1/2-13UNC-3A x 1-1/2 LG.								
257	SCREW, CAP 12PT. HD., 1/2-20UNF x 1-3/4 LG.								
258	SCREW, CAP 12PT. HD., 5/8-11UNC x 1-1/2 LG.	021L01623	21	021-01623	32				
259	SCREW, CAP 12PT. HD., 3/8-24UNF x 7/8 LG.			021L00090	6			021-11933	30
260	SCREW, CAP 12PT. HD., 5/8-11UNC x 1-3/4 LG.	021-01629	18					021L00500	3
261	SCREW, CAP 12PT. HD., 3/8-16UNC-3A x 5/8 LG.			021L00475	4	021L00475	4		10
262									
263	SCREW, CAP 12PT. HD., 3/4-10UNC x 5/8 LG.								
264	SCREW, CAP 12PT. HD., 3/4-10UNC-3A x 2-1/4 LG.			021L00015	16	021L00015	16	021L00015	76
265	SCREW, CAP 12PT. HD., 3/4-10UNC-3A x 2-1/2 LG.							021L00098	20
266	AUXILIARY OIL PUMP	P57	1	P57		P57		P57	
267	SCREW, SET HEX SOC., 1/2 - 20 UNF x 1" LG.	021-12234	4	021-12234	4	021-12234	4		
268	SCREW, MACH. PRR. HD. NO. 10-24UNC x 3/8 LG.	021-03745	1	021-03745	1	021-03745	1		
269	SCREW, MACH. PRR. HD. NO. 10-24UNC x 3/4 LG.	021-01797	1						
270	SCREW, MACH. PRR. HD. NO. 10-24UNC x 5/8 LG.			021-01785	1	021-01785	2	021-01785	1
271	SCREW, MACH. PRR. HD. NO. 10-24UNC x 1/4 LG.							021-12061	1
272									
273									
274	SCREW, CAP 12PT. HD., 5/8 - 11UNC x 2LG.								
275	SCREW, DRIVE NO. 4 x 1/4 LG.	021-01047	6	021-03720	6	021-02594	36	021-03720	6
276	SCREW, SELF TAPPING 6-32 x 1/4 LG.							021-40027	8
277	NUT, HEX. 1/4 - 20 UNC	021-00450	10	Table 2, pg. 22				021-00450	10
278									
279	NUT, HEX. 3/8 - 24 UNF			021-00474	2				
280									

† PARTS INCLUDED FIELD REPLACEMENT KIT - 464-29625 - COMPR. MODEL MTD53 AND MTD59.  
 ■ PARTS INCLUDED FIELD REPLACEMENT KIT - 464-29627 - COMPR. MODEL MTD67 AND MTD76.  
 ● PARTS INCLUDED FIELD REPLACEMENT KIT - 464-29629 - COMPR. MODEL MTD85 AND MTD95.  
 ★ PARTS INCLUDED FIELD REPLACEMENT KIT - 464-29631 - COMPR. MODEL MTD108, MTD120, AND MTD126.

HERMETIC COMPRESSOR PARTS LIST

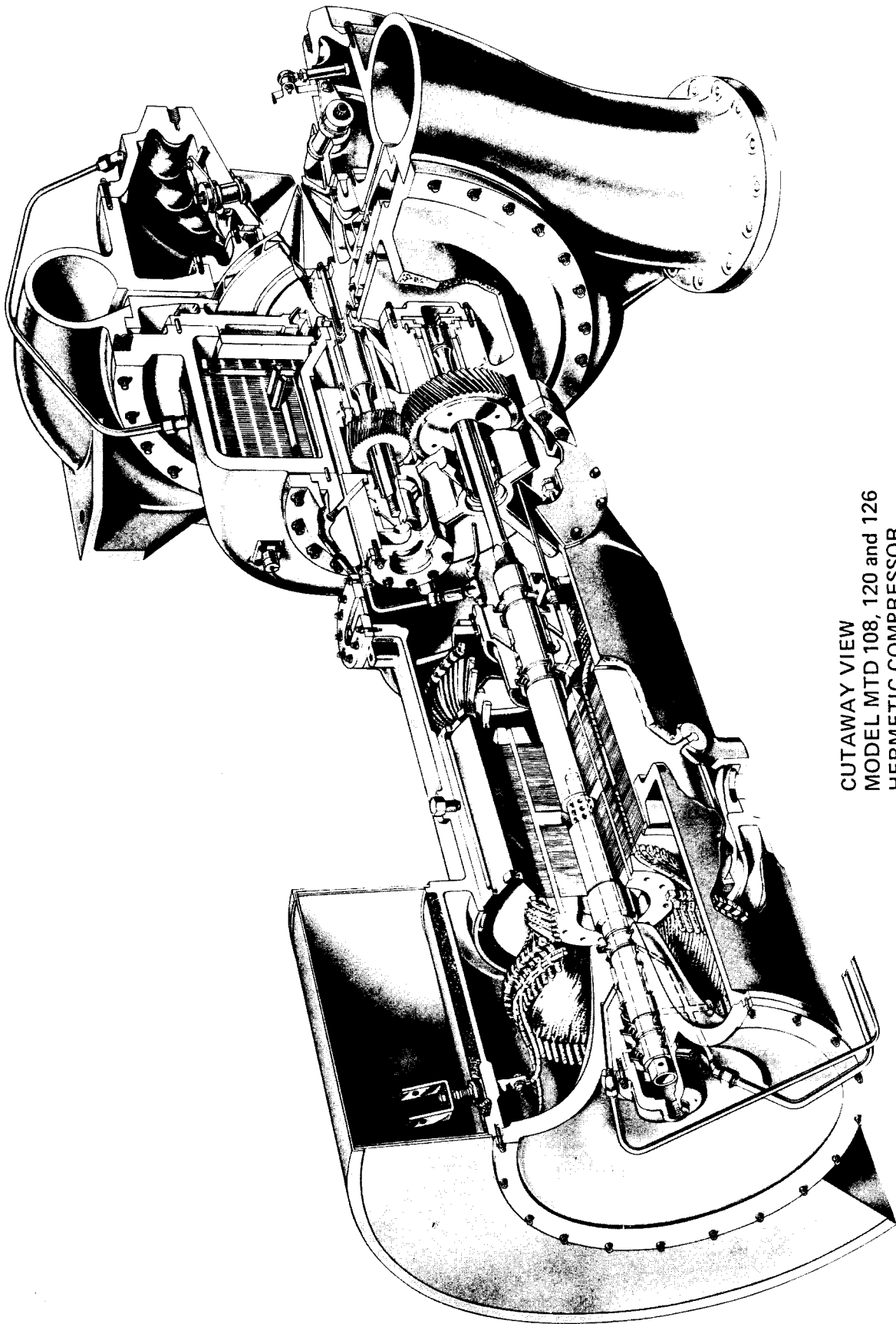
ITEM NO.	DESCRIPTION	MODELS MTD 53-59		MODELS MTD 67-76		MODELS MTD 85-95		MODELS MTD 108-120-126	
		PART NO.	QUAN.	PART NO.	QUAN.	PART NO.	QUAN.	PART NO.	QUAN.
281									
282	WASHER, FLAT	064-11649	6	064-11649	6			021-01274	6
283									
284	ADAPTER, PIPE					064-27915	4		
285									
286									
287	ROTATION NAME PLATE								
288	CLIP, TOP	029-00334	1	029-00334	1	029-00334	1	029-00334	1
289	GASKET, MTR. HOUSING TO BEARING SUPPORT			221-11600	1				
290									
291	LOCTITE - "NUT LOCK" TYPE CV (4-10)	013-01678	AS	013-01678	AS	013-01678	AS	064-23128	1
292	GREASE PETROLEUM		REQ'D		REQ'D			013-01678	AS
293	FLOAT CONTROL SWITCH	044-00892	.05 lb.	364-33952	1	364-33952	1	364-33952	1
294	PLATE INSULATING	Table 7, pg. 53	1	Table 7, pg. 53	1	Table 7, pg. 53	1	Table 7, pg. 53	1
295									
296									
297	LABEL CAUTION			Table 2, pg. 22		Table 3, pg. 32			
298	"O" RING SEAL			Table 2, pg. 22		Table 3, pg. 32			
299	INS. TERM. BOX	064-29141	1	Table 2, pg. 22					
300	INS. TERM. BOX	064-29142	1						
301	INS. TERM. BOX	064-29145	1						
302	INS. THERM. 3/4 x 1/4 x 33	064-29159	1						
303									
304	NAMEPLATE, PATENT	029-13270-002	1	029-13270-002	1				
305	INS. THERM. 3/4 x 3 1/4 x 26	064-29160	1						
306	PLUG, SIGHT	026-17581	2	026-17581	2	026-17581	2	026-17581	2
307									
308	GASKET, ROUND								
309									
310									
311									
312	TUBE 3/8 OD x .049 WALL x 62 LG.	064-31765	1						
313									
314									
315	TUBE 3/8 OD x .049 WALL x 13 LG.	064-31761	2			064-31761	2	064-31761	2
316	TUBE 3/8 OD x .049 WALL x 9 LG.	064-31760	1	064-31760	1				
317									
318									
319									

† PARTS INCLUDED FIELD REPLACEMENT KIT - 464-29625 - COMPR. MODEL MTD53 AND MTD59.  
 ■ PARTS INCLUDED FIELD REPLACEMENT KIT - 464-29627 - COMPR. MODEL MTD67 AND MTD76.  
 ● PARTS INCLUDED FIELD REPLACEMENT KIT - 464-29629 - COMPR. MODEL MTD85 AND MTD95.  
 ★ PARTS INCLUDED FIELD REPLACEMENT KIT - 464-29631 - COMPR. MODEL MTD 108, MTD 120, AND MTD 126.

# HERMETIC COMPRESSOR PARTS LIST

ITEM NO.	DESCRIPTION	MODELS MTD 53-59		MODELS MTD 67-76		MODELS MTD 85-95		MODELS MTD 108-120-126	
		PART NO.	QUAN.	PART NO.	QUAN.	PART NO.	QUAN.	PART NO.	QUAN.
320									
321									
322									
323	TUBE 5/8 OD x .049 WALL x 14 LG.								
324	TUBE 1/2 OD x .049 WALL x 68 LG.			064-31775					
325	TUBE 1/2 OD x .049 WALL x 16 LG.			064-31772		064-31772	1		
326	TUBE 3/8 OD x .049 WALL x 13 LG.			064-31770					
327	PLUG, PIPE 1 1/4 SQ. CTR SK			064-31761					
328	PIN, ROLL 3/32 DIA x 3/8 LG.	029-04551	2	023-02015		029-04551	2	029-04551	2
329									
330									
331	VARNISH, SCOTCHCAST RESIN #2 EPOXY			013-01016	.01	013-01016	.07	013-01016	.01
332									
333	TUBE, 3/4 OD x .049 WALL x 33 LG.				1	064-31782	3		
334	INS. TERM. BOX	064-29143	1						
335	INS. TERM. BOX	064-29144	1			Table 3, pg. 32			
336	TUBING, ELEC. INS. 5/8 OD x 24LG.								
337									
338									
339									
340									
341									
342	SCR. MACH. RD. HD. RECD. #10-24 x 1/2					Table 3, pg. 32			
343	STRAP, CABLE					Table 3, pg. 32		064-31781	2
344									
345									
346	CAP. SEALING								1
347	ELBOW, 90° 3/4T x 3/4T							023-09506	2
348	TUBE 3/4 OD x .049 WALL x 42 LG.							064-31783	1
349	TUBE 3/8 x .049 WALL x 86 LG.								1
350	TUBE 1/2 OD x .049 WALL x 106 LG.							064-31773	1
351									
352	NIPPLE, PIPE 3/4 SCH. 80 x 5 LG.							070-08870	1
353	TUBE, 3/4 OD x .049 WALL x 33 LG.							064-31782	2
354	NIPPLE, PIPE 1/4 SCH. 80 x 3-1/2 LG.			070-00732	1	070-00732	1		
355									
356	LABEL CAUTION	035-01051	1	035-01051		035-01051	1	035-01051	1
357	LOCKWASHER							Table 4, pg. 42	
358	SCR. CAP. HEX. 3/8 - 16 x 1-1/2							Table 4, pg. 42	
359	CONN. TERMINAL							Table 4, pg. 42	
360	TERMINAL MOTOR					Table 3, pg. 32		Table 4, pg. 42	
361	WASHER			Table 2, pg. 22					
362	TUBE, MICARTA			Table 2, pg. 22					
363	PLATE, INSUL			Table 2, pg. 22					
364	ADHESIVE	025-18133	6	Table 2, pg. 22					

† PARTS INCLUDED FIELD REPLACEMENT KIT - 464-29625 - COMPR. MODEL MTD53 AND MTD59.  
 ■ PARTS INCLUDED FIELD REPLACEMENT KIT - 464-29627 - COMPR. MODEL MTD67 AND MTD76.  
 ● PARTS INCLUDED FIELD REPLACEMENT KIT - 464-29629 - COMPR. MODEL MTD85 AND MTD95.  
 ★ PARTS INCLUDED FIELD REPLACEMENT KIT - 464-29631 - COMPR. MODEL MTD 108, MTD 120, AND MTD126



CUTAWAY VIEW  
MODEL MTD 108, 120 and 126  
HERMETIC COMPRESSOR





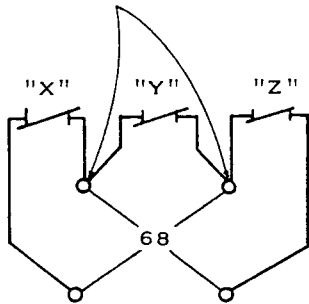
COMPRESSORS - MODELS MTD53 AND MTD 59

TABLE 1- VARIABLE PARTS

ITEM	PART DESCRIPTION	60 HZ				50 HZ			
		364-42244-002 MODEL MTD53		364-42244-003 MODEL MTD59		364-42244-004 MODEL MTD53		364-42244-005 MODEL MTD59	
		PART NO.	QUAN.	PART NO.	QUAN.	PART NO.	QUAN.	PART NO.	QUAN.
2	PRE-ROTATION VANE ASSEMBLY	364-15261	1	364-15262	1	364-56261	1	364-15262	1
3	NOZZLE BASE PLATE	064-20800	1	064-20801	1	064-20800	1	064-20801	1
6	IMPELLER SEAL RING	064-13815	1	064-13816	1	064-13815	1	064-13816	1
9	DIFFUSER PLATE	064-12769	1	064-12768	1	064-12769	1	064-12768	1
18	DRIVE SHAFT	064-15471	1	064-15471	1	064-27518	1	064-27518	1
32	"O" RING, DRIVE SHAFT SEAL	†028-04479	1	†028-04479	1	†028-08270	1	†028-08270	1
54	IMPELLER	064-12306	1	064-12305	1	064-12306	1	064-12305	1
207	ROTOR	364-25886	1	364-25886	1	364-28362	1	364-28362	1

† PARTS INCLUDED FIELD REPLACEMENT KIT - 464-29625 - COMPR. MODEL MTD53 AND MTD59.

TWO WIRES TO BE CRIMPED TO ONE TERMINAL 68.



SCHEMATIC ARRANGEMENT FOR WIRING STATOR THERMOSTAT LEADS TO FUSE TERMINALS.

287 TO BE MOUNTED ON ROTOR SUPPORT, SCROLL FLANGE

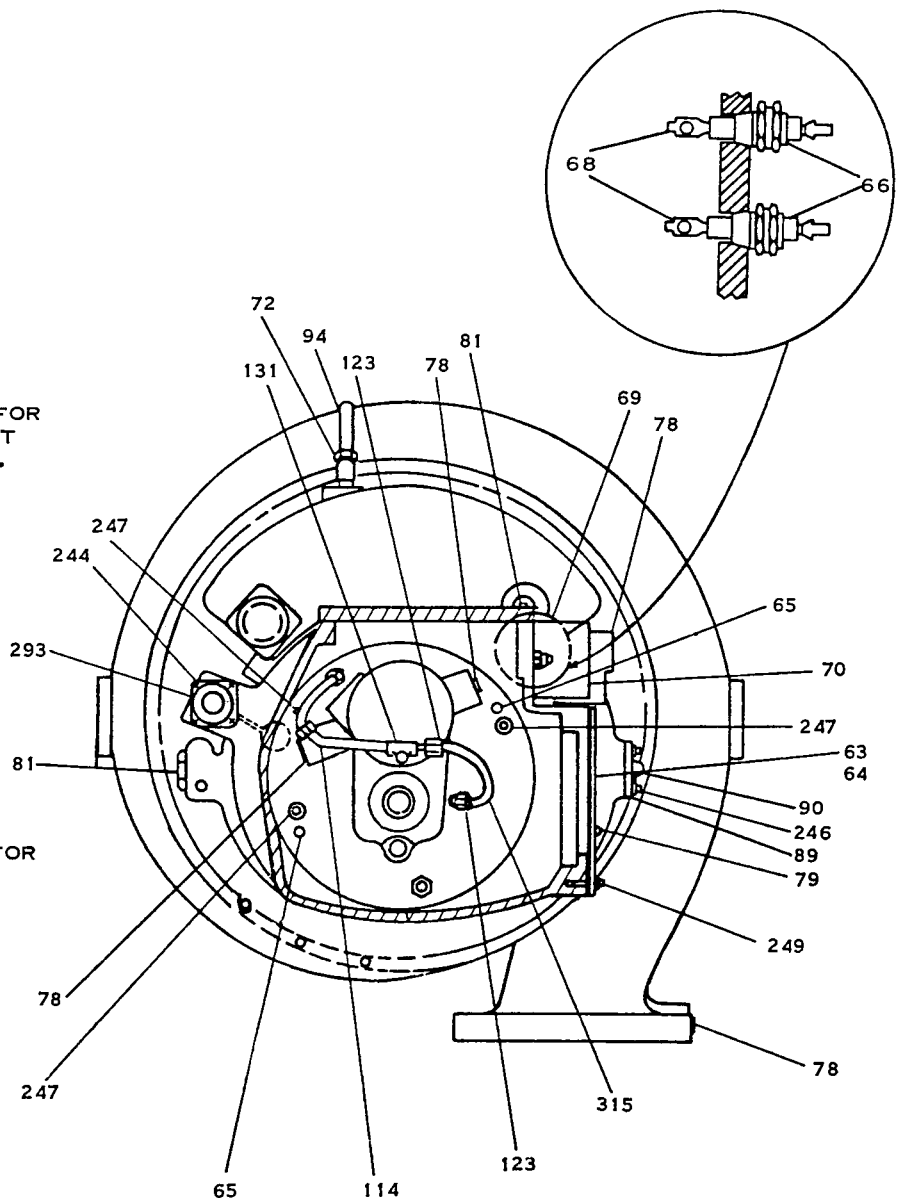


FIG. 3- FRONT VIEW-SECTION-"T"- "T" AND STATOR SENSOR WIRING

COMPRESSORS—MODELS MTD53 AND MTD59

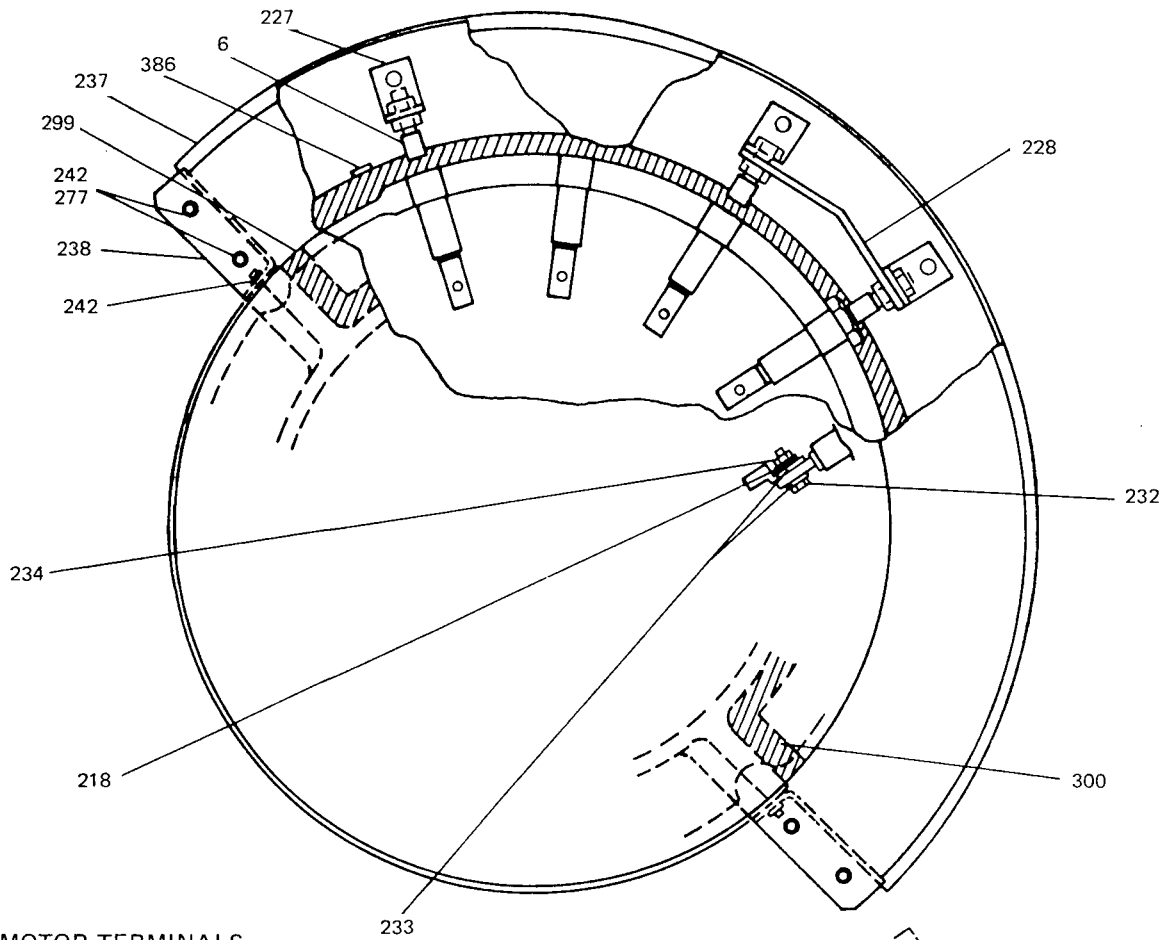


FIG. 5—MOTOR TERMINALS

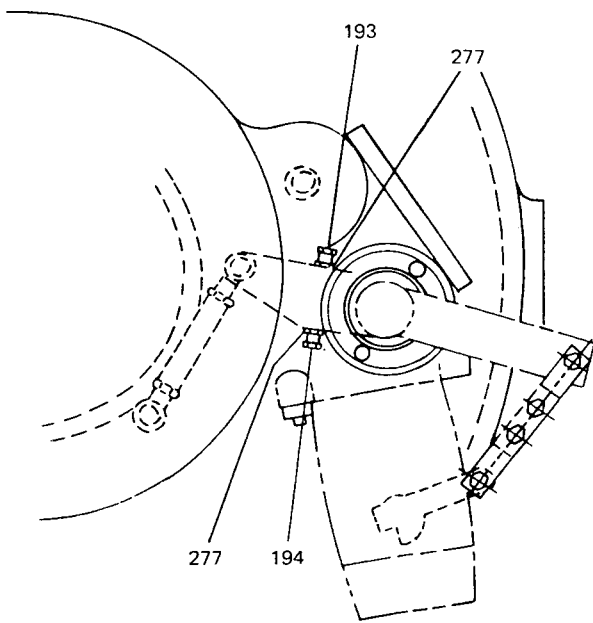


FIG. 6—ELECTRIC MOTOR LEVER-ADJUSTMENT PARTS

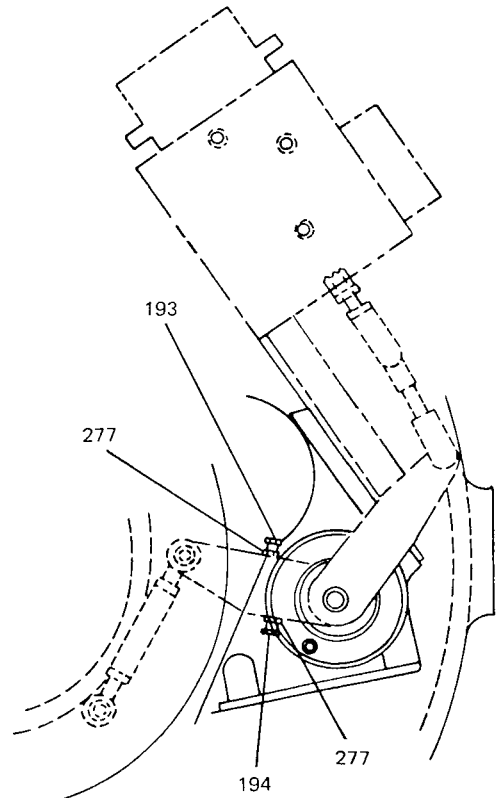


FIG. 7—PNEUMATIC PRV POSITION LEVER ADJUSTMENT PARTS

COMPRESSORS—MODELS MTD53 AND MTD59

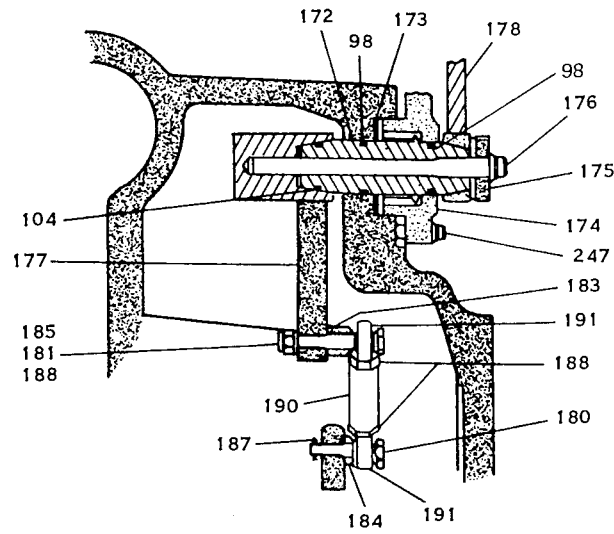


FIG. 8—PRV-CONTROL SHAFT & INTERNAL LINKAGE

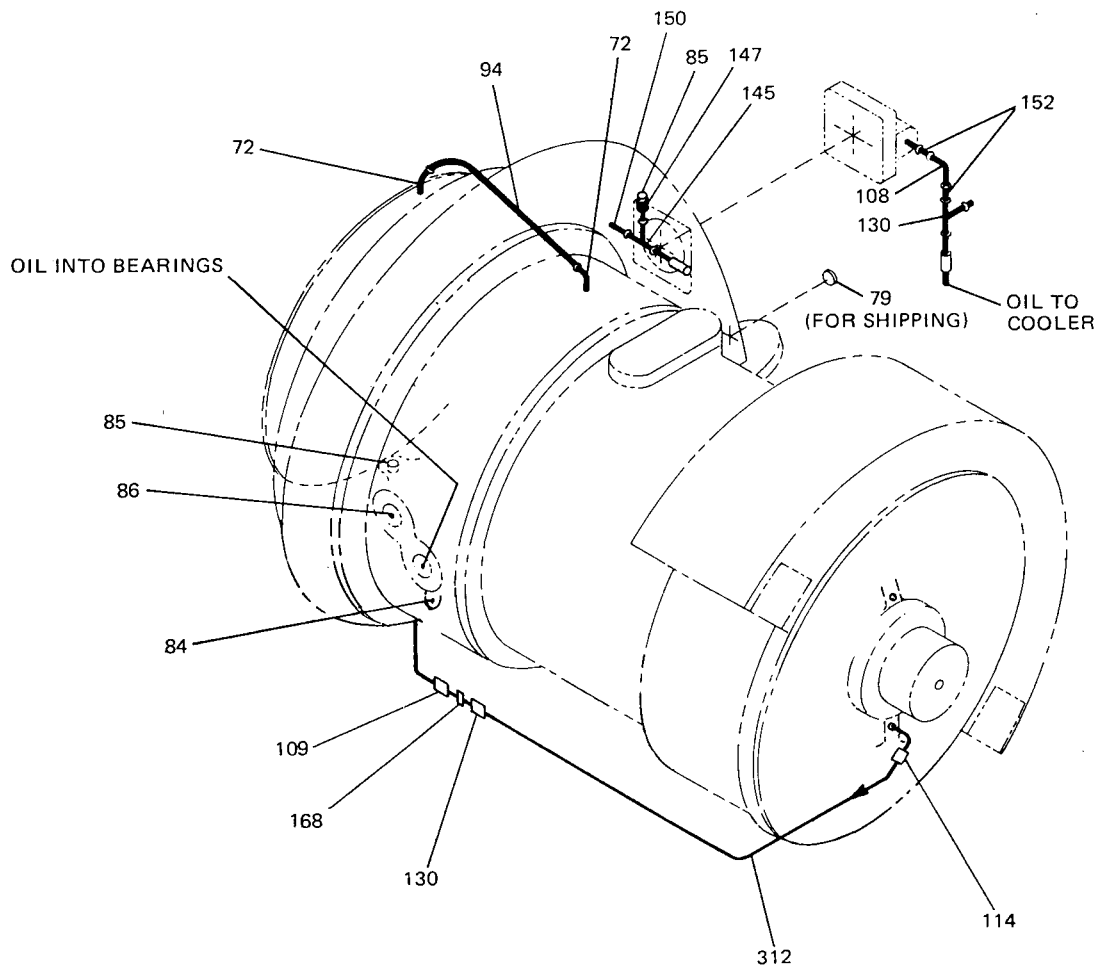
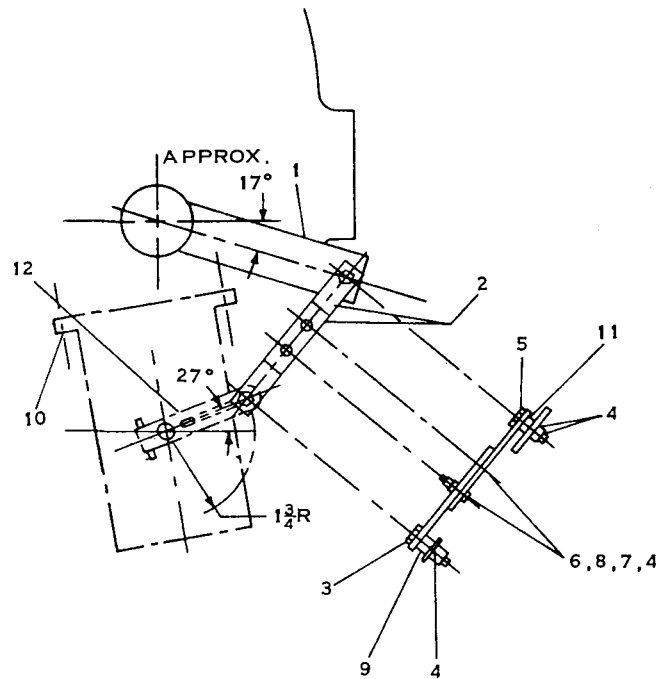


FIG. 9—OIL PIPING

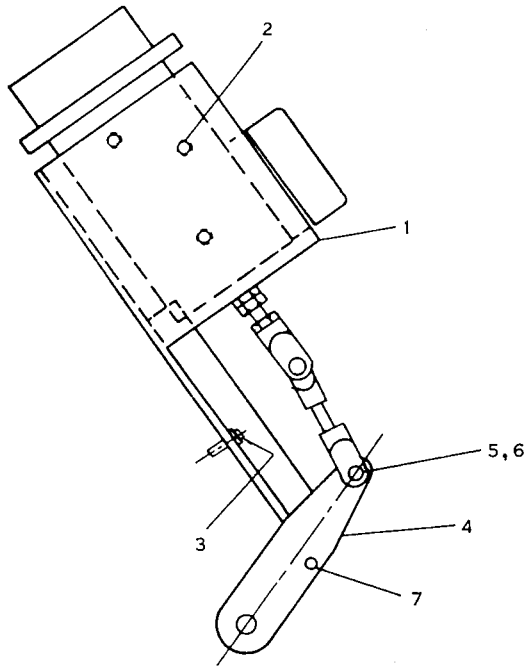
**MODELS MTD53 AND MTD59  
LINKAGE - EXTERNAL PRV  
ELECTRICALLY OPERATED**



**FIG. 10— LINKAGE-EXTERNAL PRV-ELECTRICALLY OPERATED**

ITEM	PART DESCRIPTION	QUAN.	PART NO.
1	LEVER, PRV DEVICE	1	364-28236
2	LINK, EXT PRV	2	064-28260
3	BOLT SHOULDER 1/4 - 20UNC x 1 5/8	1	064-28286
4	HEX NUT 1/4 - 20UNC	6	021-00450
5	BOLT SHOULDER 1/4 - 20UNC x 1 7/8	1	064-28282
6	SCREW, CAP HEX HD	2	021-11914
7	LOCKWASHER, 1/4	2	021-05267
8	WASHER, PLAIN	2	021-05165
9	RING 5/8 O.D. x 17/64 x 3/8" LONG	1	064-28284
10	SCREW CAP 12 PT HD	3	021-11741
11	RING 5/8 O.D. x 17/64 x 3/8 LG.	1	064-28353
12	ARM CRANK	1	025-17073

**MODELS MTD53 AND MTD59  
LINKAGE - EXTERNAL PRV  
AIR OPERATED**



**FIG. 11—LINKAGE-EXTERNAL PRV-AIR OPERATED**

ITEM	PART DESCRIPTION	QUAN.	PART NO.
1	BRACKET, MOUNTING PRV MOTOR	1	364-16838D
2	SCREW, CAP, 1/4 - 20UNC X 5/8	3	021-08310
3	SCREW, CAP, 5/16 - 18UNC X 3/4	4	021-11394
4	LEVER - PRV DEVICE	1	064-17898B
5	SCREW, CAP, 1/4 - 20UNC X 1 1/2	1	021-02399
6	NUT - HEX, 1/4 - 20UNC	2	021-00450
7	PIN, INSERT	1	029-04842



HERMETIC COMPRESSOR  
 MODELS MTD67 AND MTD76  
 MOTOR SECTION

HERMETIC COMPRESSOR  
 MODELS MTD67 AND MTD76  
 COMPRESSOR SECTION

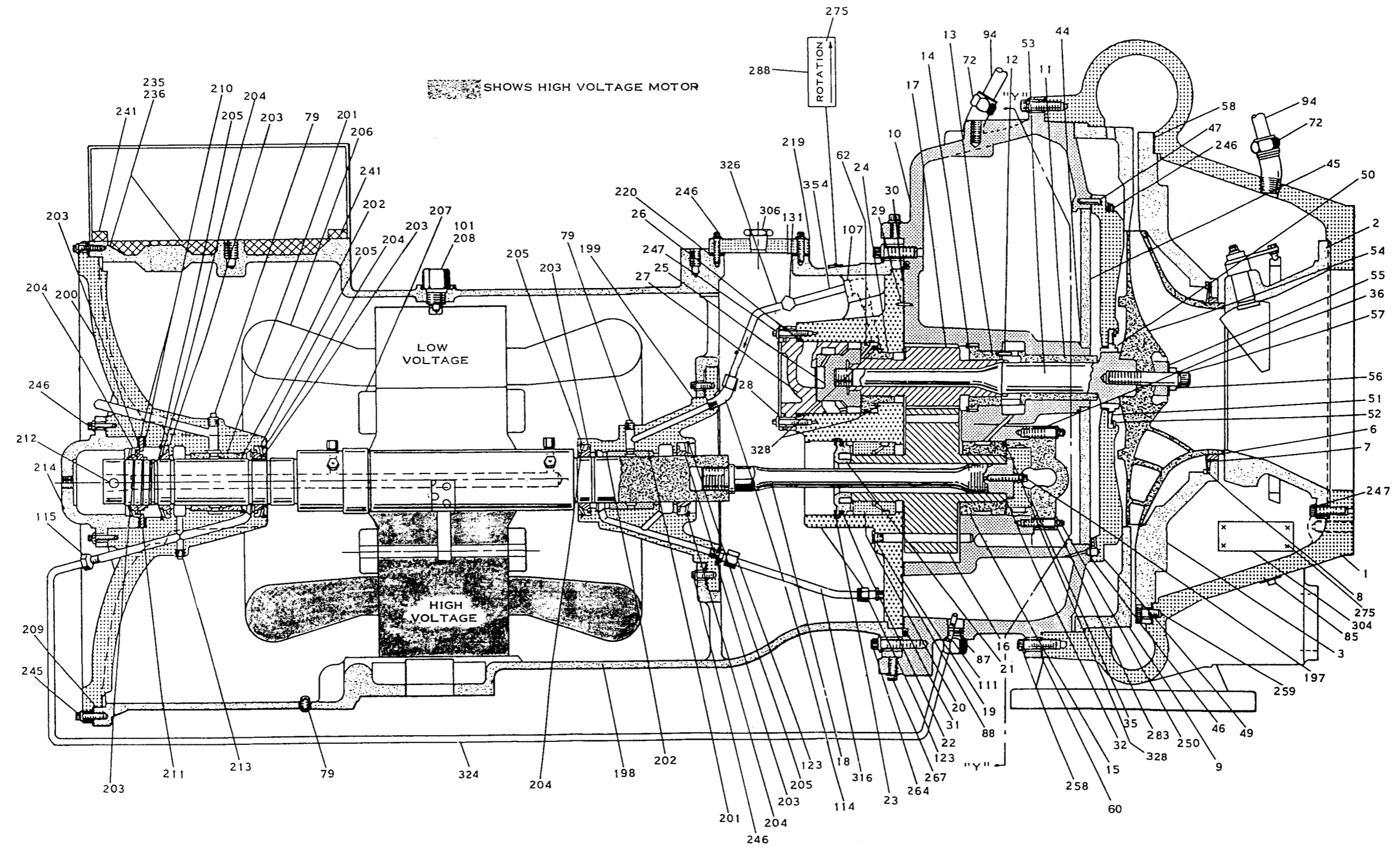


FIG. 20—CUTAWAY VIEW OF COMPRESSOR—MODELS MTD67 AND MTD76

MODELS MTD67 AND MTD76

TABLE 2 -- VARIABLE PARTS - MTD67

ITEM	PART DESCRIPTION	60 HZ											
		364-42240-002		364-42240-003		364-42240-004		364-42240-005		364-42240-008		364-42240-009	
		MTD 67 L.V.	QUAN.	MTD 67 H.V.	QUAN.	MTD 76 L.V.	QUAN.	MTD 76 H.V.	QUAN.	MTD 76 L.V.	QUAN.	MTD 76 H.V.	QUAN.
2	PRE-ROTATION VANE ASSEMBLY	364-15250	1	364-15250	1	364-15249	1	364-15249	1	364-15249	1	364-15249	1
3	NOZZLE BASE PLATE	064-20409	1	064-20409	1	064-20410	1	064-20410	1	064-20410	1	064-20410	1
6	IMPELLER RING SEAL	064-20430	1	064-20430	1	064-20431	1	064-20431	1	064-20431	1	064-20431	1
7	FLAT SPRING WASHER	064-06242	1	064-06242	1	064-05741	1	064-05741	1	064-05741	1	064-05741	1
8	RETAINING RING IMPELLER SEAL	064-06243	1	064-06243	1	064-05742	1	064-05742	1	064-05742	1	064-05742	1
9	DIFFUSER PLATE	064-11810	1	064-11810	1	064-11638	1	064-11638	1	064-11638	1	064-11638	1
18	DRIVE SHAFT	064-14971	1	064-14971	1	064-14971	1	064-14971	1	064-14971	1	064-14971	1
32	"O" RING - DRIVE SHAFT SEAL	028-07407	1	028-07407	1	028-07407	1	028-07407	1	028-07407	1	028-07407	1
54	IMPELLER	064-11297	1	064-11297	1	064-11127	1	064-11127	1	064-11127	1	064-11127	1
69	ELEC. BOX OCT. CONCRETE RING	025-10290	1	—	—	025-10290	1	—	—	025-10290	1	—	—
70	ELEC. BOX COVER	025-10291	1	—	—	025-10291	1	—	—	025-10291	1	—	—
198	MOTOR HOUSING	064-42241	1	064-42245	1	064-42241	1	064-42245	1	064-42241	1	064-42845	1
207	ROTOR	364-22014	1	364-29450	1	364-22014	1	364-29450	1	364-22013	1	364-27896	1
215	LUG ELECTRICAL	—	—	025-19985	1	—	—	025-19985	1	—	—	025-19985	1
216	SCREW, CAP. HEX HD. 1/4-20 x 1/2 LG	—	—	021-02438	1	—	—	021-02438	1	—	—	021-02438	1
217	LOCK WASHER - 1/4	—	—	021-08276	1	—	—	021-08276	1	—	—	021-08276	1
218	LOCKWASHER SPRING 3/8	021-05247	6	021-05247	3	021-05247	6	021-05247	3	021-05247	6	021-05247	3
225	PLAIN WASHER	021-13488	12	021-13488	6	021-13488	12	021-13488	6	021-13488	12	021-13488	6
226	NUT, JAM HEX	021-13489	12	021-13489	6	021-13489	12	021-13489	6	021-13489	12	021-13489	6
227	TERMINAL BRACKET	364-25703	6	064-27898	3	364-25703	6	064-27898	3	364-25703	6	064-27898	3
229	TERMINAL BOLT LOCKING BAR	025-13670	3	025-15839	1	025-13670	3	025-15839	1	025-13670	3	025-15839	1

ITEM	PART DESCRIPTION	50 HZ							
		364-42240-006		364-42240-007		364-42240-010		364-42240-011	
		MTD 67 L.V.	QUAN.	MTD 76 L.V.	QUAN.	MTD 76 L.V.	QUAN.	MTD 85 H.V.	QUAN.
2	PRE-ROTATION VANE ASSEMBLY	364-15250	1	364-15249	1	364-15249	1	364-15249	1
3	NOZZLE BASE PLATE	064-20409	1	064-20410	1	064-20410	1	064-20410	1
6	IMPELLER RING SEAL	064-20430	1	064-20431	1	064-20431	1	064-20431	1
7	FLAT SPRING WASHER	064-06242	1	064-05741	1	064-05741	1	064-05741	1
8	RETAINING RING IMPELLER SEAL	064-06243	1	064-05742	1	064-05742	1	064-05742	1
9	DIFFUSER PLATE	064-11810	1	064-11638	1	064-11638	1	064-11638	1
18	DRIVE SHAFT	064-27393	1	064-27393	1	064-27393	1	064-27993	1
32	"O" RING - DRIVE SHAFT SEAL	028-08269	1	028-08269	1	028-08269	1	028-08269	1
54	IMPELLER	064-11297	1	064-11127	1	064-11127	1	064-11127	1
66	TERMINAL ELEC. TRICAL - 1/8 NPT	025-09346	4	025-09346	4	025-09346	4	—	—
69	ELEC. BOX OCT. CONCRETE RING	025-10290	1	029-10290	1	029-10290	1	—	—
70	ELEC. BOX COVER	025-10291	1	025-10291	1	025-10291	1	—	—
198	MOTOR HOUSING	064-42241	1	064-42241	1	064-42246	1	064-42245	1
207	ROTOR	364-27383	1	364-27383	1	364-28774	1	364-35240	1
215	LUG, ELECTRICAL	—	—	—	—	—	—	025-19985	1
216	SCREW CAP HEX. HD 1/4-20 x 1/2 LG	—	—	—	—	—	—	021-02438	1
217	LOCKWASHER - 1/4	—	—	—	—	—	—	021-08276	1
218	LOCKWASHER, SPRING 3/8	021-05247	6	021-05247	6	021-05247	6	021-05247	3
226	NUT, JAM HEX	021-13489	12	021-13489	12	021-13489	12	021-13489	6
227	TERMINAL BRACKET	064-42259	6	064-42259	6	064-42259	6	064-42259	3
228	JUMPER BAR	TABLE 13	3	TABLE 13	3	TABLE 13	3	—	—
229	TERMINAL BOLT LOCKING BAR	025-13670	3	025-13670	3	025-13670	3	025-15839	1

MODELS MTD67 AND MTD76

TABLE 2— MTD67-76 (CONT'D)

ITEM	PART DESCRIPTION	60 HZ											
		364-42240-002		364-42240-003		364-42240-004		364-42240-005		364-42240-008		364-42240-009	
		MTD 67 L.V.	QUAN.	MTD 67 H.V.	QUAN.	MTD 76 L.V.	QUAN.	MTD 76 H.V.	QUAN.	MTD 76 L.V.	QUAN.	MTD 76 H.V.	QUAN.
231	SPECIAL WASHER SCREW, CAP. 12 PT. HD. 3/8-20 UNC x 1/2 LG.	064-23816	6	064-23816	3	064-23816	6	064-23816	3	064-23816	6	064-23816	3
232	PLAIN WASHER 13/32 ID	021-01497	6	021-01497	3	021-01497	6	021-01497	3	021-01497	6	021-01497	3
233	NUT, HEX 3/8	021-01274	12	021-01274	6	021-01274	12	021-01274	6	021-01274	12	021-01274	6
234	INSULATION THERMAL	021-00466	6	021-00466	3	021-00466	6	021-00466	3	021-00466	6	021-00466	3
235	COVER ELECTRICAL SUPPORT END	064-24462	1	064-29412	1	064-24462	1	064-29412	1	064-24462	1	064-29412	1
239	INSULATION THERMAL 3/4 x 7/8 x 40-1/2	064-21502	2	—	—	064-21502	2	—	—	064-21502	2	—	—
241	SCREW, CAP 12 PT. HD. 1/4-20 UNC x 3/4	064-24480	2	—	—	064-24480	2	—	—	064-24480	2	—	—
243	NUT, HEX 1/4-20 UNC	021-11741	4	021-11741	4	021-11741	4	021-11741	4	021-11741	4	021-11741	4
277	TAPE, GLASS FIBRE	021-00450	4	021-00450	10	021-00450	4	021-00450	10	021-00450	4	021-00450	10
296	LABEL, CAUTION	—	—	035-00131	AS REQ'D	—	—	035-00131	AS REQ'D	—	—	035-00131	AS REQ'D
297	STRAP CABLE	—	—	035-00874	1	—	—	035-00874	1	—	—	035-00874	1
298	TUBING ELEC INSU.	—	—	025-11098	1	—	—	025-11098	1	—	—	—	—
299	SCR. MACH. RD HD. REC'D NO. 10-24 x 1/2" LG.	—	—	064-31423	1	—	—	064-31423	1	—	—	—	—
300	TERMINAL MOTOR	—	—	021-08209	1	—	—	021-08209	1	—	—	—	—
360	WASHER	025-18133	6	025-18833	3	025-18133	6	025-18133	3	025-18133	3	025-18133	6
361	TUBE, MICARTA	—	—	021-01239	3	—	—	021-01239	3	—	—	—	—
362	PLATE INSULATING	—	—	064-42127	3	—	—	064-42127	3	—	—	—	—
363	ADHESIVE	—	—	025-14470	3	—	—	025-14470	3	—	—	—	—
364	LABEL, SAFETY NOTICE	—	—	013-02065	AR	—	—	013-02065	AR	—	—	—	—
365	SCR. CAP HEX HD. 5/16-18 x 1/2LG	035-03156	1	—	—	035-03156	1	—	—	035-03156	—	—	—
366	LOCKWASHER 5/16	021-01411	1	—	—	021-01411	1	—	—	021-01411	—	—	—
367		021-08697	1	—	—	021-08697	1	—	—	021-0897	—	—	—

ITEM	PART DESCRIPTION	50 HZ							
		364-42240-006		364-42240-007		364-42240-010		364-42240-011	
		MTD 67 L.V.	QUAN.	MTD 76 L.V.	QUAN.	MTD 76 L.V.	QUAN.	MTD 76 H.V.	QUAN.
231	SPECIAL WASHER SCREW, CAP. 12 PT. HD. 3/8-20 UNC x 2 LG.	064-23816	6	064-23816	6	064-23816	6	064-23816	3
232	PLAIN WASHER 13/32 ID	021-01497	6	021-01497	6	021-01497	6	021-01497	3
233	NUT, HEX 3/8	021-01274	12	021-01274	12	021-01274	12	021-01274	6
234	INSULATION THERMAL	021-00466	6	021-00466	6	021-00466	6	021-00466	3
235	COVER ELECTRICAL SUPPORT END.	064-24462	1	064-24462	1	064-24462	1	064-29412	1
239	INSULATION THERMAL 3/4 x 7/8 x 40-1/2	064-21502	2	064-21502	2	064-21502	2	—	—
241	SCREW, CAP 12 PT. HD. 1/4-20 UNC x 3/4	064-24480	2	064-24480	2	064-24480	2	—	—
243	NUT, HEX 1/4-20 UNC	021-11741	4	021-11741	4	021-11741	4	—	—
277	TAPE, GLASS FIBRE	021-00450	4	021-00450	4	021-00450	4	—	—
296	LABEL, CAUTION	—	—	—	—	—	—	035-00131	AS REQ'D.
297	STRAP CABLE	—	—	—	—	—	—	035-00874	1
298	TUBING ELEC INSU.	—	—	025-11098	1	—	—	025-11098	1
299	SCR. MACH. RD. HD. REC'D NO. 10-24 x 1/2" LG.	—	—	064-31423	1	—	—	064-31423	1
300	TERMINAL MOTOR	—	—	021-08209	1	—	—	021-08209	1
360	WASHER	025-18133	6	025-18133	6	025-18133	6	025-18133	3
361	TUBE, MICARTA	—	—	—	—	—	—	021-01239	3
362	PLATE INSUL.	—	—	—	—	—	—	064-42127	3
363	ADHESIVE	—	—	—	—	—	—	025-14470	3
364	LABEL SAFETY NOTICE	—	—	—	—	—	—	013-02065	AR
365	SCR. CAP HEX HD. 5/16-18 x 1/2	035-03156	1	035-03156	1	035-03156	1	—	—
366	LOCKWASHER 5/16	021-01411	1	021-01411	1	021-01411	1	—	—
367		021-08967	1	021-08967	1	021-08967	1	—	—

COMPRESSORS—MODELS MTD67 AND MTD76

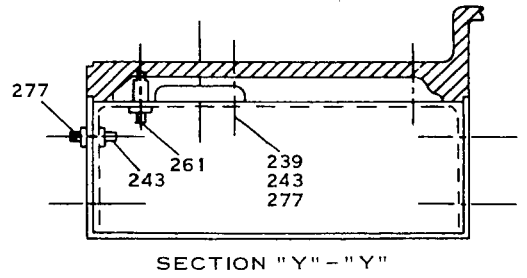
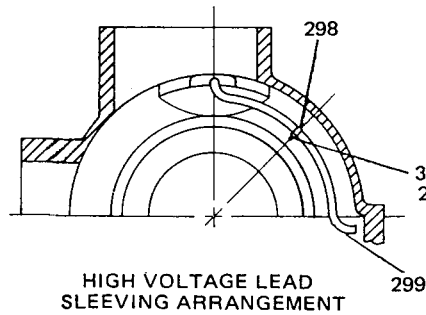
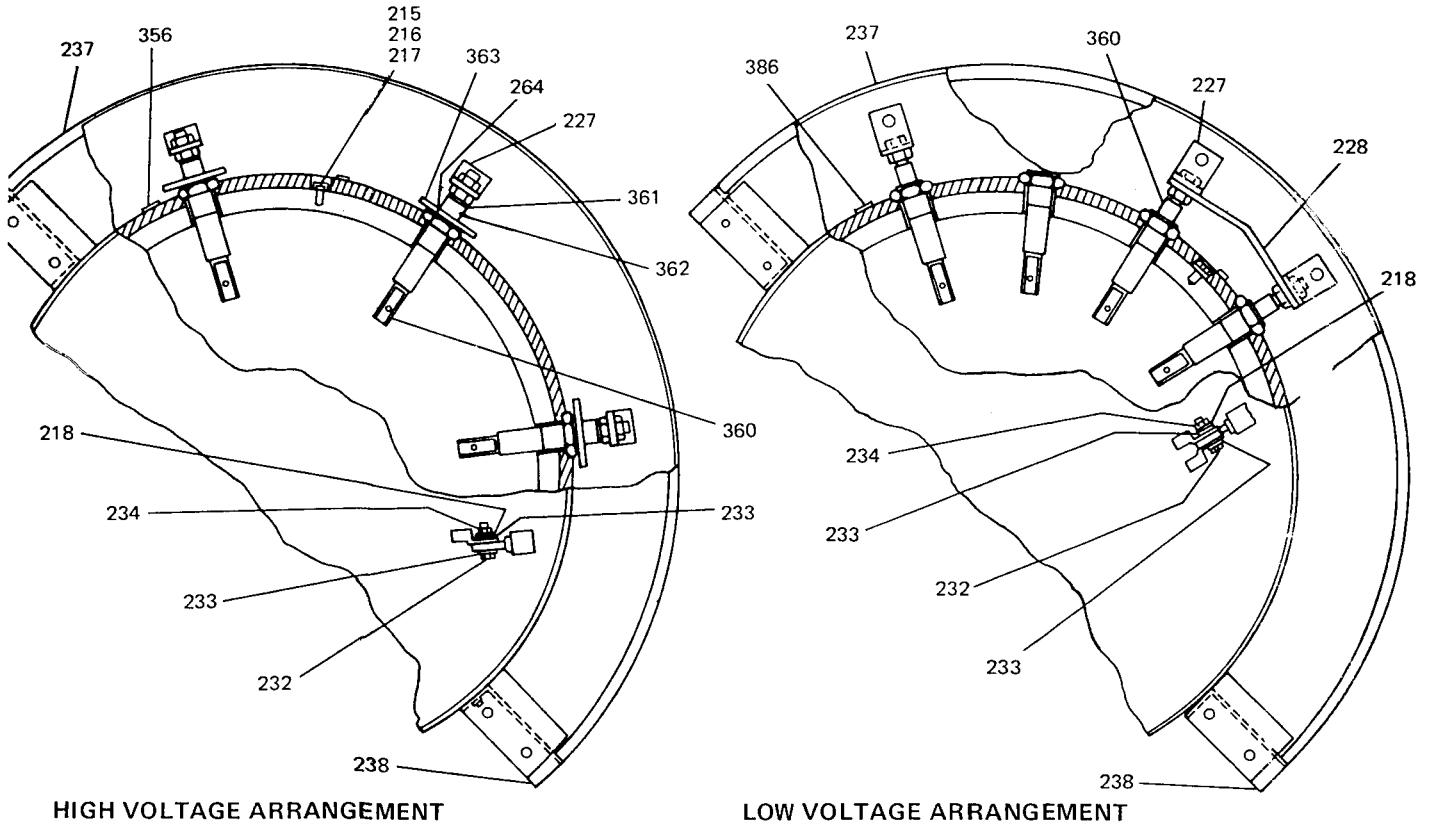


FIG. 16—MOTOR TERMINALS

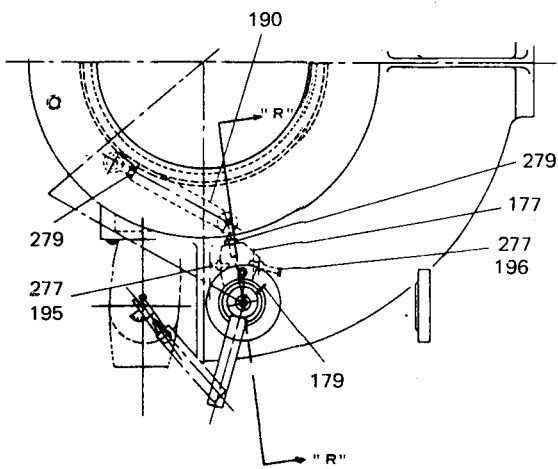
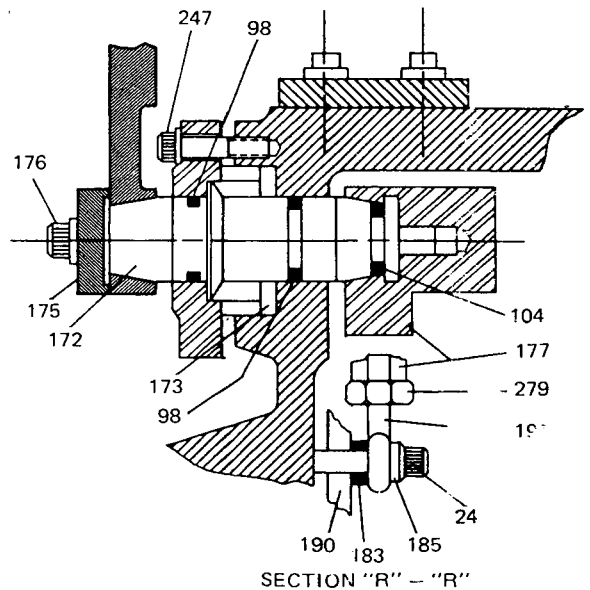


FIG. 17—PRV LEVER ADJUSTMENT PARTS ELECTRICALLY OPERATED



COMPRESSORS—MODELS MTD67 AND MTD76

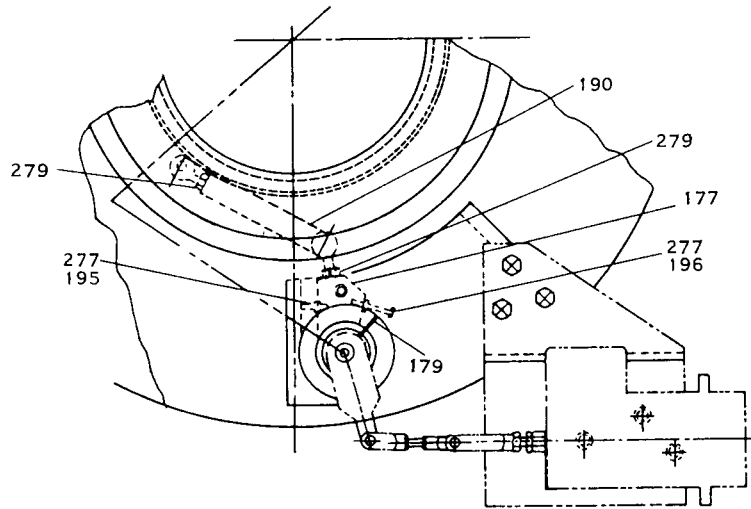


FIG. 18—PVR LEVER ADJUSTMENT PARTS-AIR OPERATED

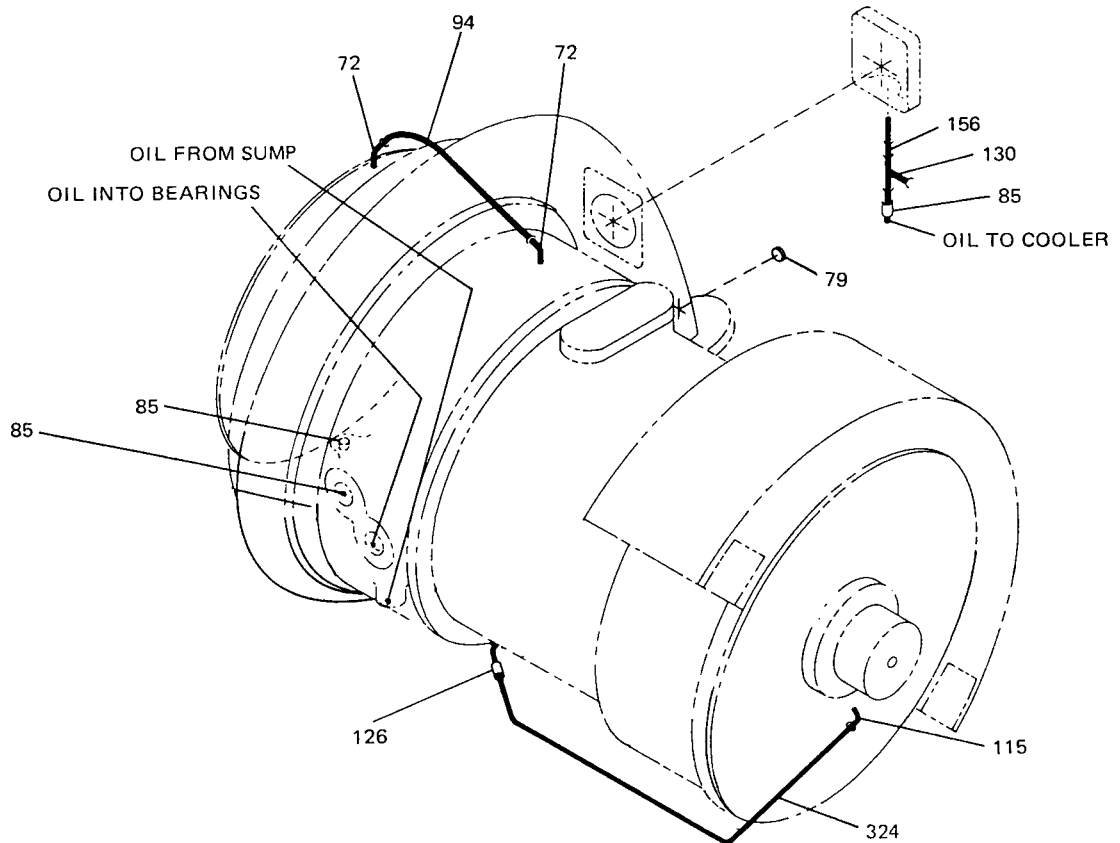


FIG. 19—OIL PIPING

MODELS MTD67 AND MTD76  
LINKAGE - EXTERNAL PRV  
ELECTRICALLY OPERATED

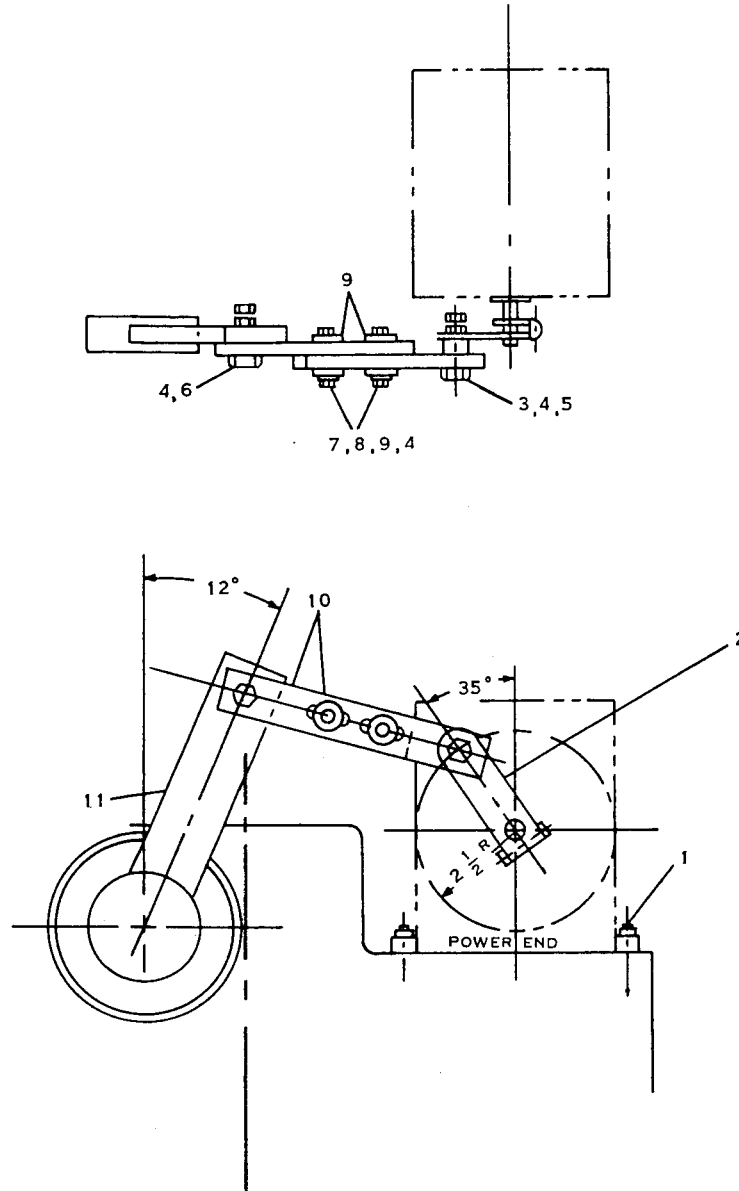
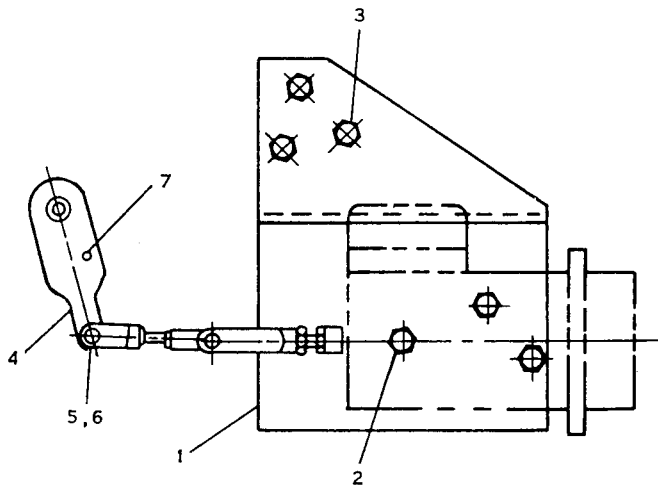


FIG. 20— LINKAGE EXTERNAL-PRV-ELECTRICALLY OPERATED

ITEM	PART DESCRIPTION	QUAN.	PART NO.
1	SCREW CAP 1/4 - 20 UNC x 3/4" LG	3	021-11741
2	ARM, CRANK PRV.	1	025-17073
3	BOLT, SHLD. 1/4 - 20 UNC x 1 5/8	1	064-28286
4	NUT HEX 1/4 - 20 UNC -2B	6	021-00450
5	RING, STL 5/8" OD x 17/64 ID x 1/2" LG	1	064-28284
6	BOLT SHLD. 1/4 x 20 UNC x 1 3/8	1	064-28262
7	SCREW, CAP 1/4 x 20 UNC x 1	2	021-11914
8	LOCKWASHER 1/4	2	021-05267
9	WASHER 9/32 ID	4	021-05165
10	LINK. EXT PRV & MOTOR	2	064-28260
11	LEVER, PRV DEVICE	1	364-28236

**MODELS MTD67 AND MTD76  
LINKAGE - EXTERNAL PRV  
AIR OPERATED**



**FIG. 21—LINKAGE EXTERNAL-PRV-AIR OPERATED**

ITEM	PART DESCRIPTION	QUAN.	PART NO.
1	BRACKET, PRV MOTOR MOUNTING	1	064-20428
2	SCREW, CAP, HEX. HD. 1/4-20UNC X 5/8 LG.	3	021-08310
3	SCREW, CAP, HEX. HD. 1/2-13UNC X 7/8 LG.	3	021-02750
4	LEVER, PRV DEVICE	1	064-16836
5	SCREW, CAP, 1/4-20UNC X 1 1/2 LG.	1	021-02399
6	NUT, HEX. HD. 1/4-20UNC	2	021-00450
7	PIN, INSERT	1	029-05900

**HERMETIC COMPRESSOR  
MODELS MTD85 AND MTD95  
MOTOR SECTION**

**HERMETIC COMPRESSOR  
MODELS MTD85 AND MTD95  
COMPRESSOR SECTION**

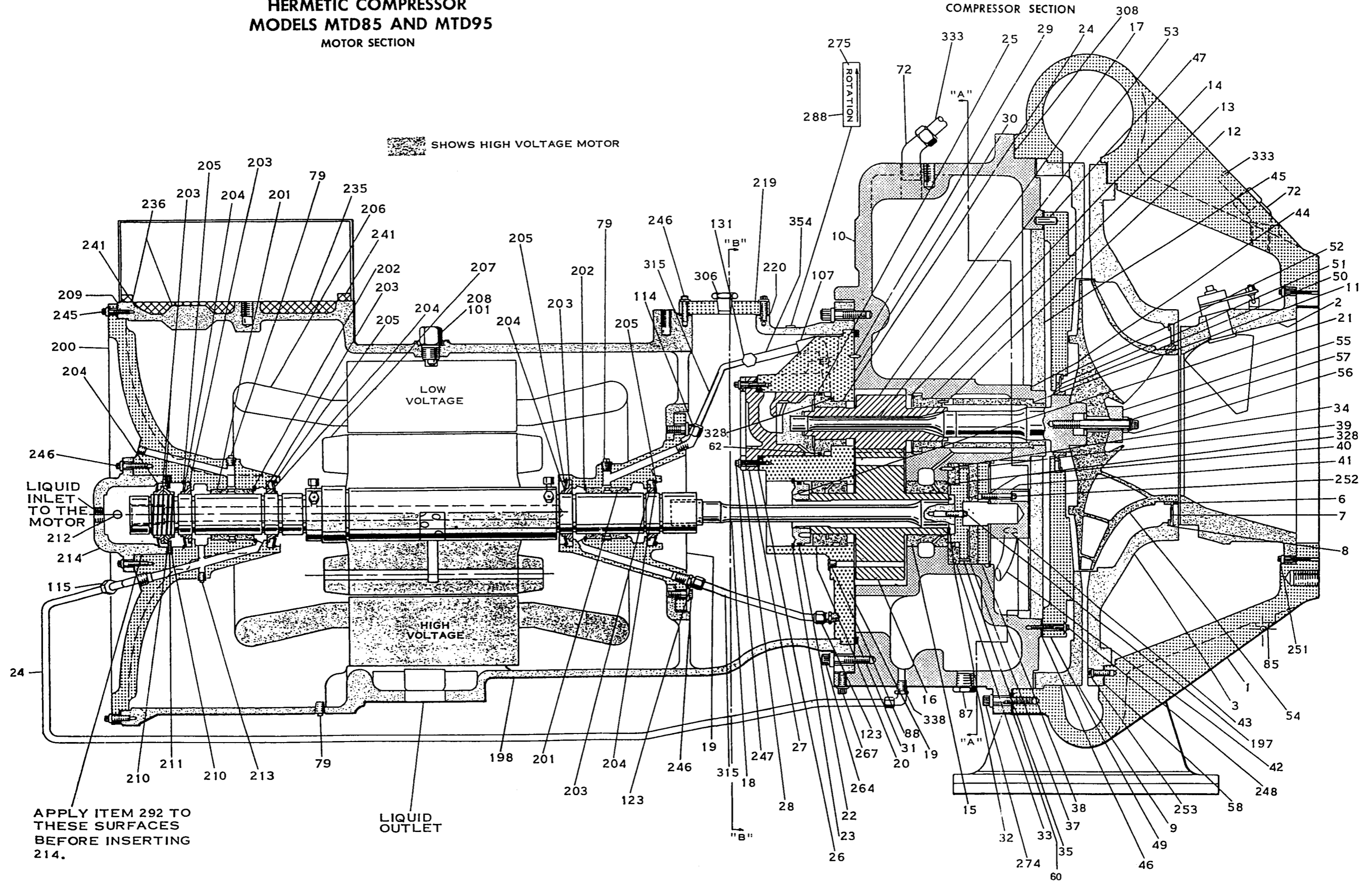


FIG. 22—CUTAWAY VIEW OF COMPRESSOR

## MODELS MTD85 AND MTD95

**TABLE 3—VARIABLE PARTS - MODELS MTD85 AND MTD95**

ITEM	PART DESCRIPTION	60 HZ								50 HZ		60 HZ	
		364-42243-002		364-42243-003		364-42243-004		364-42243-005		364-42243-006		364-42243-007	
		MTD 85 L.V.	QUAN.	MTD 85 H.V.	QUAN.	MTD 95 L.V.	QUAN.	MTD 95 H.V.	QUAN.	MTD 85 L.V.	QUAN.	MTD 95 L.V.	QUAN.
2	PRV ASSEMBLY	364-15255	1	364-15255	1	364-15266	1	364-15266	1	364-15255	1	364-15266	1
3	NOZZLE BASE PLATE	064-21643	1	064-21643	1	064-21644	1	064-21644	1	064-21643	1	064-21644	1
6	IMPELLER SEAL RING	064-21418	1	064-21418	1	064-21417	1	064-21417	1	064-21418	1	064-21417	1
7	FLAT SPRING WASHER RET. RING	064-05683	1	064-05683	1	064-05656	1	064-05656	1	064-05683	1	064-05656	1
8	IMPELLER SEAL	064-05680	1	064-05680	1	064-05588	1	064-05588	1	064-05680	1	064-05588	1
9	DIFFUSER PLATE	064-12139	1	064-12139	1	064-12103	1	064-12103	1	064-12139	1	064-12103	1
10	DRIVE SHAFT	064-14971	1	064-14971	1	064-14971	1	064-14971	1	064-27393	1	064-27393	1
25	THRUST COLLAR	064-21475	1	064-21475	1	064-27569	1	064-27569	1	064-21475	1	064-27569	1
32	"O" RING SEAL	028-07407	1	028-07407	1	028-07407	1	028-07407	1	028-08269	1	028-08269	1
53	MAIN SHAFT	064-21479	1	064-21479	1	064-27568	1	064-27568	1	064-21479	1	064-27568	1
54	IMPELLER	064-11968	1	064-11968	1	064-11969	1	064-11969	1	064-11968	1	064-11969	1
69	ELEC. OCT. CONCR. RING BOX	025-10290	1	—	—	025-10290	1	—	—	025-10290	1	025-10290	1
70	ELEC. OCT. CONCR. RING BOX COVER	025-10291	1	—	—	025-10291	1	—	—	025-10291	1	025-10291	1
198	MOTOR HOUSING	064-42246	1	064-42245	1	064-42246	1	064-42245	1	064-42246	1	064-42246	1
207	ROTOR	364-22013	1	364-27896	1	364-22013	1	364-27896	1	364-28774	1	364-28774	1
215	LUG, ELECTRICAL	—	—	025-19985	1	—	—	025-19985	1	—	—	—	—
216	SCR. CAP HEX HD. 1/4-20 x 1/2LG	—	—	021-02438	1	—	—	021-02438	1	—	—	—	—
217	LOCKWASHER, 1/2	—	—	021-08276	1	—	—	021-08276	1	—	—	—	—
218	LOCKWASHER SPRING 3/8	021-05247	6	021-05247	3	021-05247	6	021-05247	3	021-05247	6	021-05247	6

\* Drive Shaft Varies on 60 Hz Compressors

ITEM	PART DESCRIPTION	50/60 HZ		60 HZ		50/60 HZ		50 HZ		50 HZ	
		364-42243-008		364-42243-009		364-42243-010		364-42243-011		364-42243-012	
		MTD 95 H.V.	QUAN.	MTD 85 L.V.	QUAN.	MTD 85 H.V.	QUAN.	MTD 85 L.V.	QUAN.	MTD 85 H.V.	QUAN.
2	PRV ASSEMBLY	364-15266	1	364-15255	1	364-15255	1	364-15255	1	364-15255	1
3	NOZZLE BASE PLATE	064-21644	1	064-21643	1	064-21643	1	064-21643	1	364-21643	1
6	IMPELLER SEAL RING	064-21417	1	064-21418	1	064-21418	1	064-21418	1	064-21418	1
7	FLAT SPRING WASHER RET. RING	064-05656	1	064-05683	1	064-05683	1	064-05683	1	064-05683	1
8	IMPELLER SEAL	064-05588	1	064-05680	1	064-05680	1	064-05680	1	064-05680	1
9	DIFFUSER PLATE	064-12103	1	064-12139	1	064-12139	1	064-12139	1	064-12139	1
18	DRIVE SHAFT	064-27393	1	064-14971	1	064-14971	1	064-27393	1	064-27393	1
25	THRUST COLLAR	064-27569	1	064-21475	1	064-21475	1	064-21475	1	064-21475	1
32	"O" RING SEAL	028-08269	1	028-07407	1	028-07407	1	028-08269	1	028-08269	1
53	MAIN SHAFT	064-27568	1	064-21479	1	064-21479	1	064-21479	1	064-21479	1
54	IMPELLER	064-11969	1	064-11968	1	064-11968	1	064-11968	1	064-11968	1
69	ELEC. OCT. CONCR. RING BOX	—	—	025-10290	1	—	—	025-10290	1	—	—
70	ELEC. OCT. CONCR. RING BOX COVER	—	—	025-10291	1	025-10291	1	025-10291	1	—	—
198	MOTOR HOUSING	064-42245	1	064-42241	1	064-42245	1	064-42241	1	064-42245	1
207	ROTOR	364-33240	1	364-22014	1	364-29450	1	364-27383	1	064-33240	1
215	LUG ELECTRICAL	025-19985	1	—	—	025-19985	1	—	—	025-19985	1
216	SCR. CAP HEX HD. 1/4-20 x 1/2LG	021-02438	1	—	—	021-02438	1	—	—	021-02438	1
217	LOCKWASHER, 1/2	021-08376	1	—	—	021-08276	1	—	—	021-08276	1
218	LOCKWASHER	021-05247	3	021-05247	6	021-05247	3	021-05247	6	021-05247	3

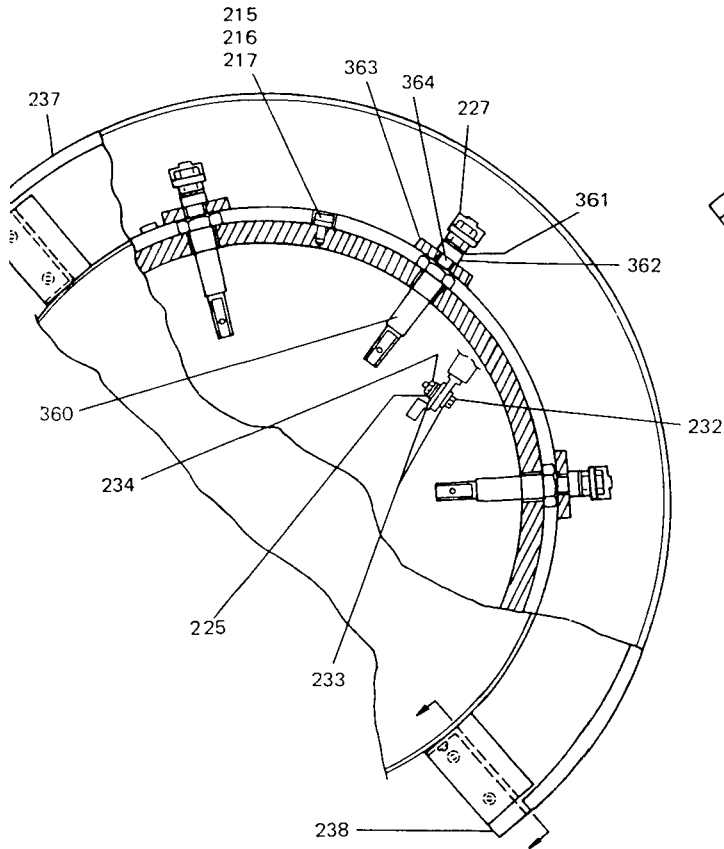
MODELS MTD85 AND MTD95 (CONTINUED)

TABLE 3— MTD85-MTD95 (CONT'D)

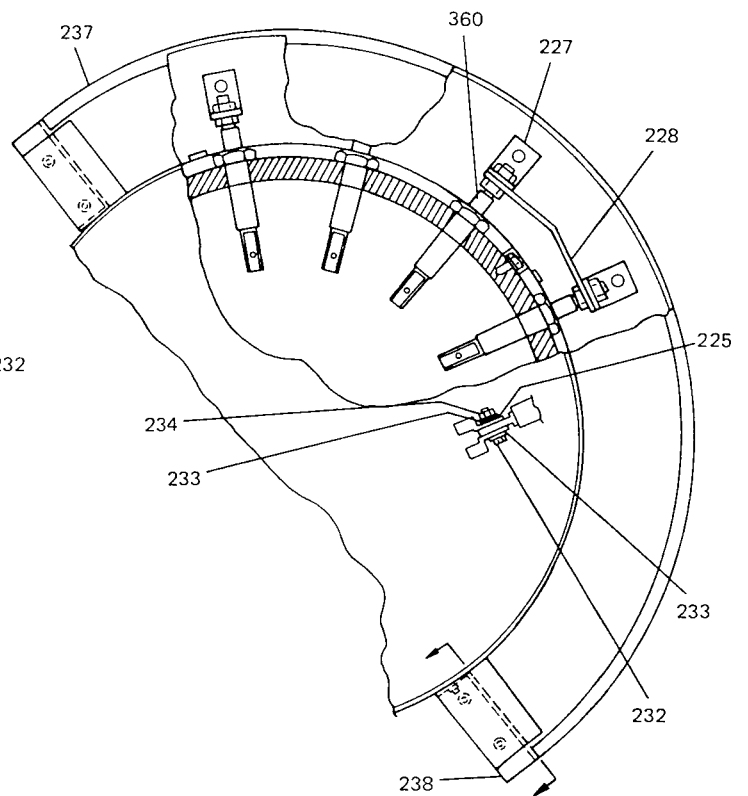
ITEM	PART DESCRIPTION	60 HZ								50 HZ		60 HZ	
		364-42243-002		364-42243-003		364-42243-004		364-42243-005		364-42243-006		364-42243-007	
		MTD 85 L.V.	QUAN.	MTD 85 H.V.	QUAN.	MTD 95 L.V.	QUAN.	MTD 95 H.V.	QUAN.	MTD 85 L.V.	QUAN.	MTD 95 L.V.	QUAN.
227	ELEC. CONNECTION	364-42259	6	064-27898	3	364-42259	6	064-27898	3	364-42259	6	364-42259	6
228	JUMPER BAR	TABLE 13	3	—	—	TABLE 13	3	—	—	TABLE 13	3	TABLE 13	3
232	SCR. CAP 12 PT HD 3/8 - 16 UNC x 1-1/2 LG	021-01497	6	021-01497	3	021-01497	6	021-01497	3	021-01497	6	021-01497	6
233	PLAIN WASHER	021-01274	12	021-01274	6	021-01274	12	021-01274	6	021-01274	12	021-01274	6
234	HEX NUT 3/8 x 16 UNC	021-00466	6	021-00466	3	021-00466	6	021-00466	3	021-00466	6	021-00466	6
235	THERMAL INS.	064-24462	1	064-29412	1	064-24462	1	064-29412	1	064-24462	1	064-24462	1
239	ELEC. END SUPPORT COVER	064-21502	2	—	—	064-21502	2	—	—	064-21502	2	064-21502	2
241	THERMAL INS. 3/4 x 7/8 x 40-1/2	064-24480	2	—	—	064-24480	2	—	—	064-24480	2	064-24480	2
243	SCR. CAP 12 PT HD 1/4 - 20 UNC x 3/4 LG	021-11741	4	—	—	021-11741	4	—	—	021-11741	4	—	—
277	HEX NUT 1/4 - 20 UNC	021-00450	14	021-00450	10	021-00450	14	021-00450	10	021-00450	14	021-00450	14
296	TAPE, GLASS FIBRE	—	—	035-00131	AR	—	—	035-00131	AR	—	—	—	—
297	CAUTION LABEL	—	—	035-00874	1	—	—	035-00874	1	—	—	—	—
336	TUBING ELEC. INS. 5/8 ID x 24 LG	—	—	064-31423	1	—	—	064-31423	1	—	—	—	—
342	SCR. MACH. RD. HD RECD. 10-24 x 1/2	—	—	021-08209	1	—	—	021-08209	1	—	—	—	—
343	STRAP CABLE	—	—	021-11098	1	—	—	021-11098	1	—	—	—	—
360	BOLT, TERMINAL	025-18133	3	025-18133	6	025-18133	3	025-18133	6	025-18133	6	025-18133	6
361	WASHER	—	—	021-01239	3	—	—	021-01239	3	—	—	—	—
362	TUBE, MICARTA	—	—	064-42127	3	—	—	064-42127	3	—	—	—	—
363	PLATE, INSULATING	—	—	024-14470	3	—	—	024-14470	3	—	—	—	—
364	ADHESIVE	—	—	013-02065	AR	—	—	013-02065	AR	—	—	—	—
365	LABEL SAFETY	035-03156	1	—	—	035-03156	1	—	—	035-03156	1	021-03156	1
366	SCR. CAP HEX HD. 5/16-18 x 1/2 LG	021-01411	1	—	—	021-01411	1	—	—	021-01411	1	021-01411	1
367	LOCKWASHER	021-08697	1	—	—	021-08697	1	—	—	021-08697	1	021-08697	1

ITEM	PART DESCRIPTION	60 HZ		60 HZ				50 HZ		50 Hz	
		364-42243-008		364-42243-009		364-42243-010		364-42243-011		364-42243-012	
		MTD 95 H.V.	QUAN.	MTD 85 L.V.	QUAN.	MTD 85 H.V.	QUAN.	MTD 85 L.V.	QUAN.	MTD85 H.V.	QUAN.
227	ELEC. CONNECTION	064-27898	3	364-42259	6	064-27898	3	364-42259	6	064-27898	3
228	JUMPER BAR	—	—	TABLE 13	3	—	—	TABLE 13	3	TABLE 13	3
232	SCR. CAP 12 PT HD 3/8 - 16 UNC x 2 LG	021-01497	3	021-01497	6	021-01497	3	021-01497	6	021-01497	3
233	PLAIN WASHER	021-01274	6	021-01274	12	021-01274	6	021-01274	12	021-01274	6
234	HEX NUT 3/8 x 16 UNC	021-00466	3	021-00466	6	021-00466	3	021-00466	6	021-00466	3
235	THERMAL INS.	064-29412	1	064-24462	1	064-29412	1	064-24462	1	064-29412	1
239	ELEC. END SUPPORT COVER	—	—	064-21502	2	—	—	064-21502	2	—	—
241	THERMAL INS. 3/4 x 7/8 x 40-1/2	—	—	064-24480	2	—	—	064-24480	2	—	—
243	SCR. CAP 12 PT HD 1/4 - 20 UNC x 3/4 LG	021-11741	8	021-11741	4	021-11741	8	021-11741	4	—	—
277	HEX NUT 1/4 - 20 UNC	021-00450	10	021-00450	14	021-00450	10	021-00450	14	—	—
296	TAPE, GLASS FIBRE	035-00131	AR	—	—	035-00131	AR	—	—	—	—
297	CAUTION LABEL	035-00874	1	—	—	035-00874	1	—	—	035-00874	1
336	TUBING ELEC. INS. 5/8 ID x 24 LG	064-31423	1	—	—	064-31423	1	—	—	035-31423	1
342	SCR. MACH. RD. HD RECD. 10-24 x 1/2	021-08209	1	—	—	021-08209	1	—	—	021-08209	1
343	STRAP CABLE	025-11098	1	—	—	021-11098	1	—	—	021-11098	1
360	BOLT, TERMINAL	025-18133	3	025-18133	6	025-18133	3	025-18133	6	025-18133	3
361	WASHER	025-01239	3	—	—	025-01239	3	—	—	025-01239	3
362	TUBE, MICARTA	064-42127	3	—	—	064-42127	3	—	—	064-42177	3
363	PLATE, INSULATING	024-14470	3	—	—	024-14470	3	—	—	024-14470	3
364	ADHESIVE	013-02065	AR	—	—	013-02065	AR	—	—	013-02065	AR
365	LABEL SAFETY NOTICE	—	—	035-03156	1	—	—	035-03156	1	—	—
366	SCR. CAP HEX HD.	—	—	021-01411	1	—	—	021-01411	1	—	—
367	LOCKWASHER 5/16	—	—	021-08697	1	—	—	021-08697	1	—	—

COMPRESSORS—MODELS MTD85 AND MTD95



HIGH VOLTAGE ARRANGEMENT



LOW VOLTAGE ARRANGEMENT

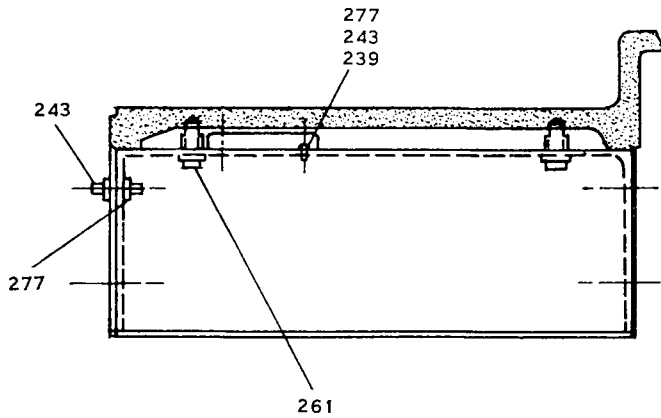


FIG. 26—SECTION "Y"—"Y" MOTOR TERMINALS

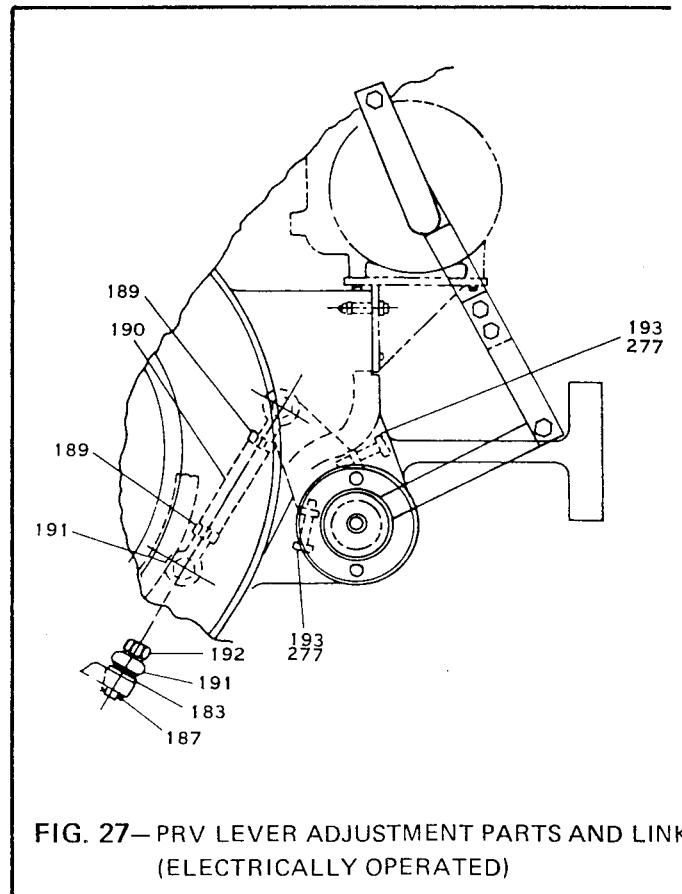


FIG. 27—PRV LEVER ADJUSTMENT PARTS AND LINKAGE (ELECTRICALLY OPERATED)

COMPRESSORS—MODELS MTD85 AND MTD95

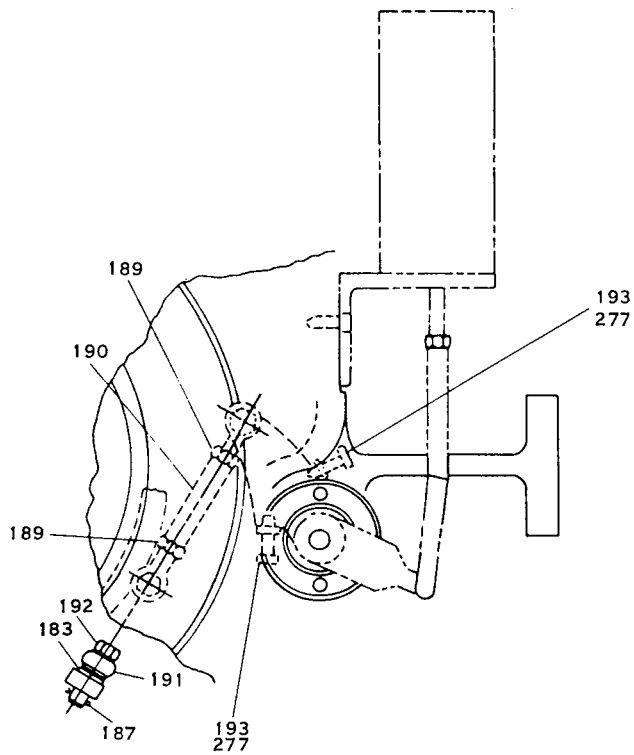


FIG. 28—PRV LEVER ADJUSTMENT PARTS AND LINKAGE (AIR OPERATED)

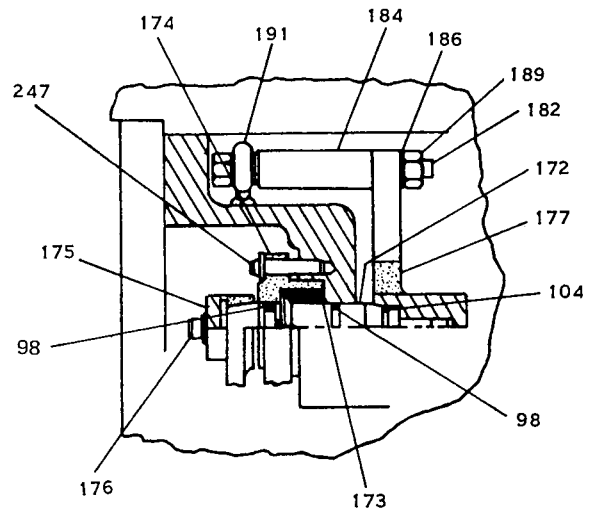


FIG. 29—PRV CONTROL SHAFT AND INTERNAL LINKAGE

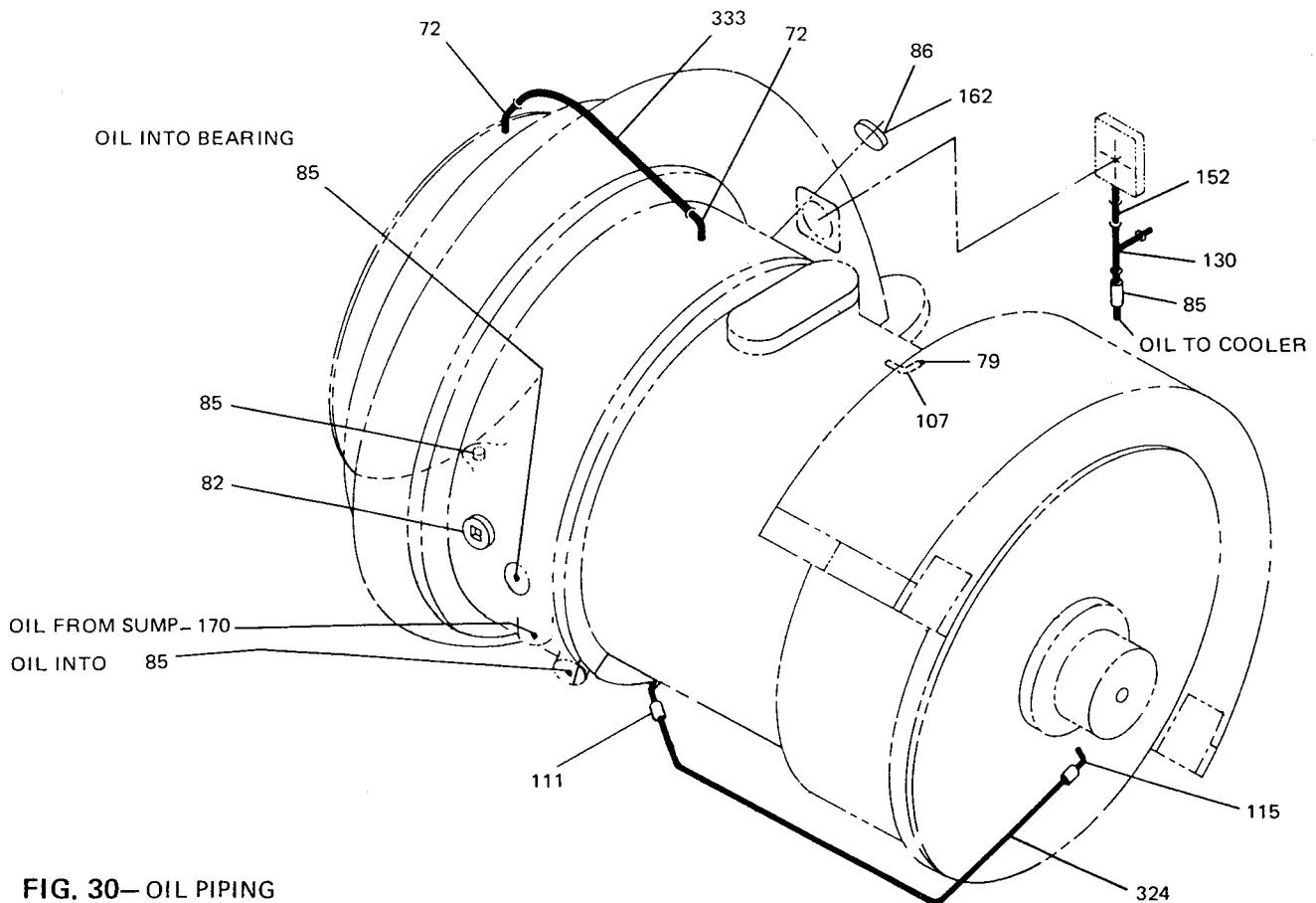


FIG. 30—OIL PIPING



MODELS MTD85 AND MTD95  
LINKAGE - EXTERNAL PRV  
AIR OPERATED

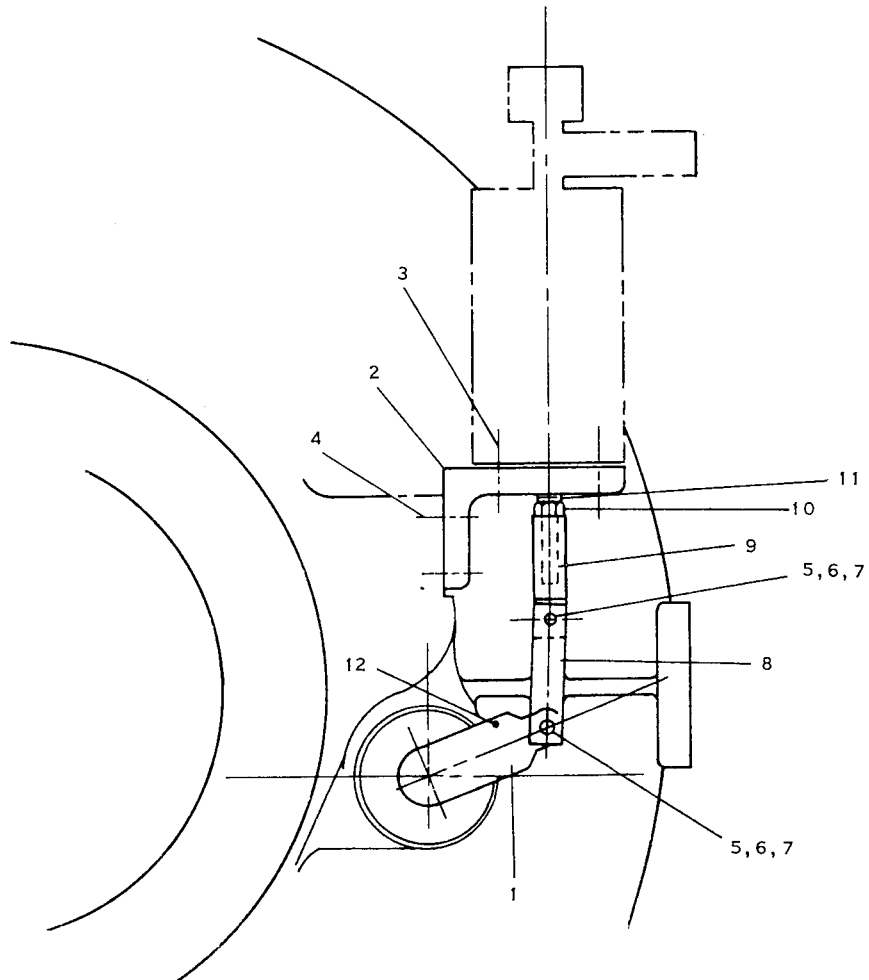


FIG. 32—LINKAGE EXTERNAL - PRV - AIR OPERATED

ITEM	PART DESCRIPTION	QUAN.	PART NO.
1	LEVER, PRV DEVICE	1	064-28622
2	BRACKET	1	064-28621
3	SCREW, CAP 12PT $\frac{3}{8}$ X $1\frac{1}{8}$	4	021-11148
4	SCREW, CAP 12PT $\frac{3}{8}$ X 1	3	021-11149
5	PIN, LINKAGE	2	064-07127
6	WASHER, PLAIN $\frac{13}{32}$ I.D.	4	021-01274
7	PIN, COTTER	4	021-01083
8	LINK, EXT.	2	064-15692
9	CLEVIS, CONOMOTOR	1	064-07125
10	NUT, HEX HEAVY $\frac{5}{8}$	1	021-07787
11	WASHER, PLAIN $\frac{21}{32}$ I.D.	7	021-01239
12	PIN, INSERT	1	029-05900

**HERMETIC COMPRESSOR  
MODELS MTD108, MTD120, AND MTD126  
MOTOR SECTION**

**HERMETIC COMPRESSOR  
MODELS MTD108, MTD120, AND MTD126  
COMPRESSOR SECTION**

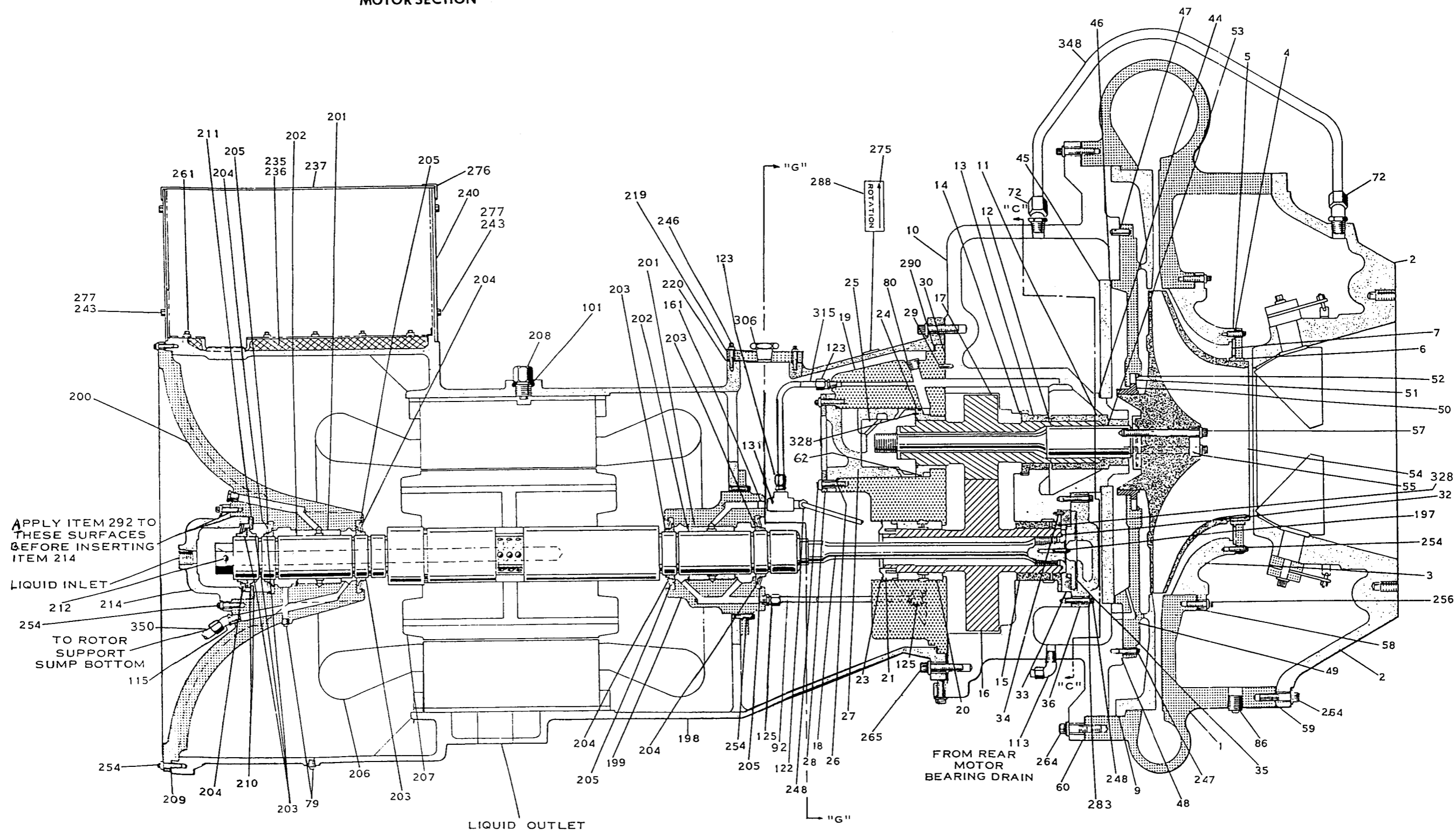


FIG. 33—CUTAWAY VIEW OF COMPRESSOR

## MODELS MTD108, MTD120, AND MTD126

**TABLE 4—VARIABLE PARTS - MTD108, MTD120, AND MTD126**

ITEM	PART DESCRIPTION	50/60 HZ											
		364-42557-002		364-42557-004		364-42557-006		364-42557-003		364-42557-005		364-42557-007	
		MTD 108 L.V.	QUAN.	MTD 120 L.V.	QUAN.	MTD 126 L.V.	QUAN.	MTD 108 H.V.	QUAN.	MTD 120 H.V.	QUAN.	MTD 126 H.V.	QUAN.
1	ROTOR, SCROLL HOUSING	064-22908	1	064-22907	1	064-27577	1	064-22908	1	064-22907	1	064-27577	1
2	PREROTATION VANE DEVICE	364-33707	1	364-33708	1	364-33709	1	364-33707	1	364-33708	1	364-33709	1
3	NOZZLE PLATE BASE	064-22786	1	064-22787	1	064-27580	1	064-22786	1	064-22787	1	064-27580	1
4	RETAINER, NOZZLE BASE PLATE	064-22974	1	064-22963	1	064-27582	1	064-22974	1	064-22963	1	064-27582	1
5	GASKET RETAINER TO NOZZLE	*064-23002	1	*064-23010	1	*064-23010	1	*064-23002	1	*064-23010	1	*064-23010	1
6	IMPELLER SEAL RING	064-22714	1	064-22715	1	064-27583	1	064-22714	1	064-22715	1	064-27583	1
7	FLAT SPRING WASHER	064-22690	1	064-22661	1	064-27578	1	064-22690	1	064-22661	1	064-27578	1
9	DIFFUSER PLATE	064-22327	1	064-22332	1	064-27576	1	064-22327	1	064-22332	1	064-27576	1
49	OIL SEPARATOR PLATE	064-22869	1	064-22950	1	064-22950	1	064-22869	1	064-22950	1	064-22950	1
50	SEAL RING	064-12378-005	1	064-12378-006	1	064-12378-006	1	064-12378-005	1	064-12378-006	1	064-12378-006	1
51	FLAT SPRING WASHER	064-12438-009	1	064-12438-008	1	064-12438-008	1	064-12438-009	1	064-12438-008	1	064-12438-008	1
52	RETAINING RING	064-22709	1	064-22711	1	064-22711	1	064-22709	1	064-22711	1	064-22711	1
54	IMPELLER BASE PLATE	064-22910	1	064-22909	1	064-27584	1	064-22910	1	064-22909	1	064-27584	1
58	NOZZLE GASKET	*064-22983	1	*064-23009	1	*064-27581	1	*064-22983	1	*064-23009	1	*064-27581	1

\*Parts Included Field Replacement Kit — 464-29631 — Compr. Model MTD 108, 120 and 126

ITEM	PART DESCRIPTION	50/60 HZ					
		364-42557-008		364-42557-009		364-42557-010	
		MTD 108 L.V.	QUAN.	MTD 120 L.V.	QUAN.	MTD 126 L.V.	QUAN.
1	ROTOR, SCROLL HOUSING	064-22908	1	064-22907	1	064-27577	1
2	PREROTATION VANE DEVICE	364-33707	1	364-33708	1	364-33709	1
3	NOZZLE PLATE BASE	064-22786	1	064-22787	1	064-27570	1
4	RETAINER, NOZZLE BASE PLATE	064-22974	1	064-22963	1	064-27582	1
5	GASKET, RETAINER TO NOZZLE	*064-23002	1	*064-23010	1	064-23010	1
6	IMPELLER SEAL RING	064-22714	1	064-22715	1	064-27583	1
7	FLAT SPRING WASHER	064-22690	1	064-22661	1	064-27578	1
9	DIFFUSER PLATE	064-22327	1	064-22332	1	064-27576	1
49	OIL SEPARATOR PLATE	064-22869	1	064-22950	1	064-22950	1
50	SEAL RING	064-12378-005	1	064-12378-006	1	064-12378-006	1
51	FLAT SPRING WASHER	064-12438-009	1	064-12438-008	1	064-12438-008	1
52	RETAINING RING	064-22709	1	064-22711	1	064-22711	1
54	IMPELLER BASE PLATE	064-22910	1	064-22909	1	064-27584	1
58	NOZZLE GASKET	*064-22983	1	*064-23009	1	*064-27581	1

\*Parts Included Field Replacement Kit — 464-29631 — Compr. Model MTD 108, 120 and 126

MODELS MTD108, MTD120, AND MTD126 (CONTINUED)

TABLE 4—VARIABLE PARTS - MTD108, MTD120, AND MTD126 (CONTINUED)

ITEM.	PART DESCRIPTION	50/60 HZ											
		364-42557-002		364-42557-004		364-42557-006		364-42557-003		364-42557-005		364-42557-007	
		MTD 108 L.V.	QUAN.	MTD 120 L.V.	QUAN.	MTD 126 L.V.	QUAN.	MTD 108 H.V.	QUAN.	MTD 120 H.V.	QUAN.	MTD 126 H.V.	QUAN.
69	ELECT. BOX	025-10290	1	025-10290	1	025-10290	1	—	—	—	—	—	—
70	ELECT. BOX COVER	025-10291	1	025-10291	1	025-10291	1	—	—	—	—	—	—
198	MOTOR HOUSING	064-38036	1	064-38036	1	064-38036	1	064-38037	1	064-38037	1	064-38037	1
215	LUG ELECTRICAL	—	—	—	—	—	—	025-19985	1	025-19985	—	025-19485	1
216	SCREW, CAP HEX HD.	021-01458	1	021-01458	1	021-01458	1	021-02438	1	021-02438	1	021-02438	1
217	LOCKWASHER	021-08296	1	021-08296	1	021-08296	1	021-08276	1	021-08276	1	021-08276	1
233	WASHER PLAIN	021-01274	12	021-01274	12	021-01274	12	021-01274	6	021-01274	6	021-01274	6
234	NUT, HEX	021-00466	6	021-00466	6	021-00466	6	021-00466	3	021-00466	3	021-00466	3
355	LOCKWASHER SCR. CAP. HEX	021-05247	6	021-05247	6	021-05247	6	021-05247	3	021-05247	3	021-05247	3
356	3/8 - 16 x 1-1/2 LG.	021-01485	6	021-01485	6	021-01485	6	021-01485	3	021-01485	3	021-01485	3
357	CONN. TERMINAL	064-38045	6	065-38045	6	064-38045	6	064-38045	3	064-38045	3	064-38045	3
358	TERMINAL, MOTOR	025-18133	6	025-18133	6	025-18133	6	025-18133	3	025-18133	3	025-18133	3
361	WASHER	—	—	—	—	—	—	021-01239	3	021-01239	3	021-01239	3
362	TUBE MICARTA	—	—	—	—	—	—	064-42127	3	064-42127	3	064-42127	3
363	PLATE INSU.	—	—	—	—	—	—	025-14470	3	025-14470	3	025-14470	3
364	ADHESIVE	—	—	—	—	—	—	013-02065	AR	013-02065	AR	013-02065	AR
365	LABEL SAFETY NOTICE	035-03156	1	035-03156	1	035-03156	1	—	—	—	—	—	—

ITEM	PART DESCRIPTION	50/60 HZ					
		364-42557-008		364-42557-009		364-42577-010	
		MTD 108 L.V.	QUAN.	MTD 120 L.V.	QUAN.	MTD 126 L.V.	QUAN.
69	ELECT. BOX	025-10290	1	025-10290	1	025-01290	1
70	ELECT. BOX COVER	025-10291	1	025-10291	1	025-10291	1
198	MOTOR HOUSING	064-38046	1	064-38046	1	064-38046	1
215	LUG ELECTRICAL	—	—	—	—	—	—
216	SCREW CAP HEX HD.	021-01458	1	021-01458	1	021-01458	1
217	LOCKWASHER	021-08296	1	021-08296	1	021-08296	1
233	WASHER PLAIN	021-01274	12	021-01274	12	021-01274	1
234	NUT, HEX	021-00466	6	021-00466	6	021-00466	6
355	LOCKWASHER SCR. CAP. HEX	021-05247	6	021-05247	6	021-05247	6
356	3/8 - 16 x 1-1/2 LG.	021-01485	6	021-01485	6	021-01485	6
357	CONN. TERMINAL	064-38044	6	064-38044	6	064-38044	6
358	TERMINAL MOTOR	364-42938	6	364-49938	6	364-49938	6
361	WASHER	—	—	—	—	—	—
362	TUBE, MICARTA	—	—	—	—	—	—
363	PLATE INSU.	—	—	—	—	—	—
364	ADHESIVE	—	—	—	—	—	—
365	LABEL SAFETY NOTICE	035-03156	1	035-03156	1	035-03156	1

AR - AS REQUIRED

COMPRESSORS—MODELS MTD108, MTD120, AND MTD126

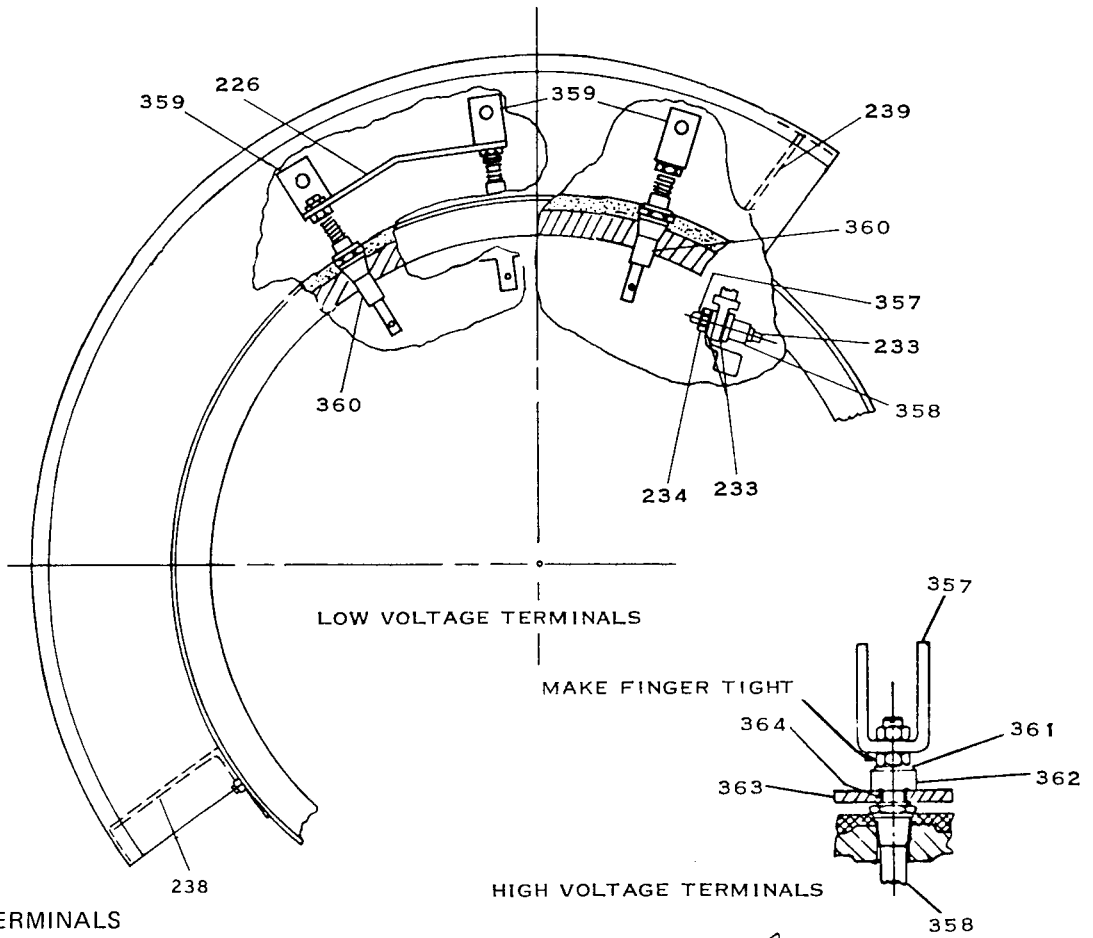


FIG. 36— MOTOR TERMINALS

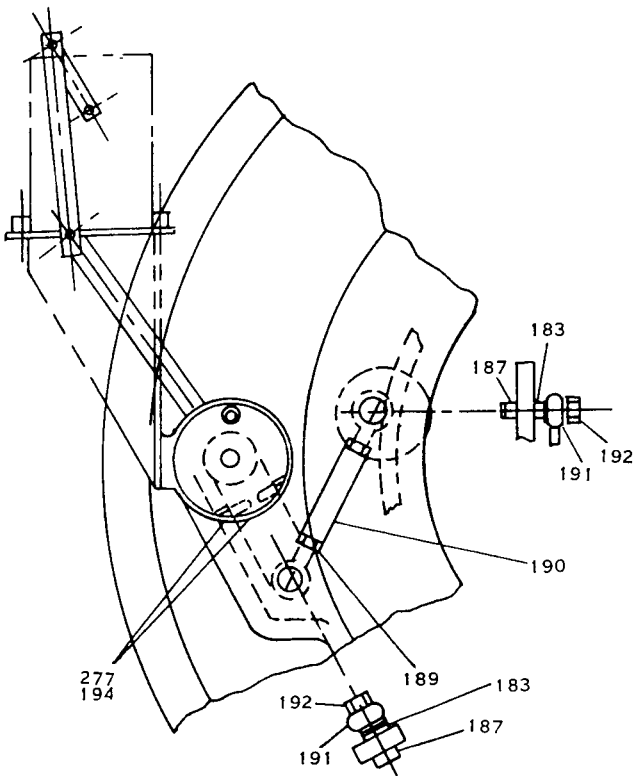


FIG. 37— PRV - LEVER ADJUSTMENT PARTS AND LINKAGE (ELECTRICALLY OPERATED)

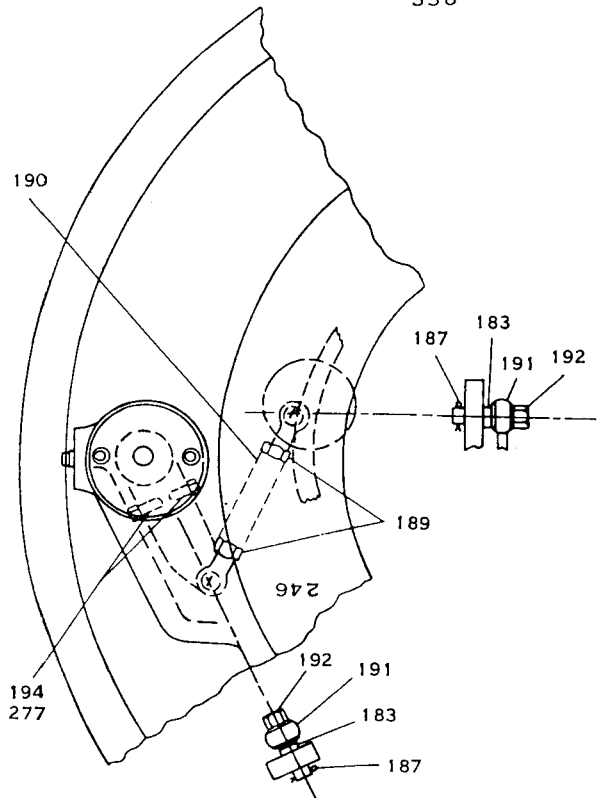


FIG. 38— PRV - LEVER ADJUSTMENT PARTS AND LINKAGE (AIR OPERATED)



COMPRESSORS—MODELS MTD108, MTD120, AND MTD126

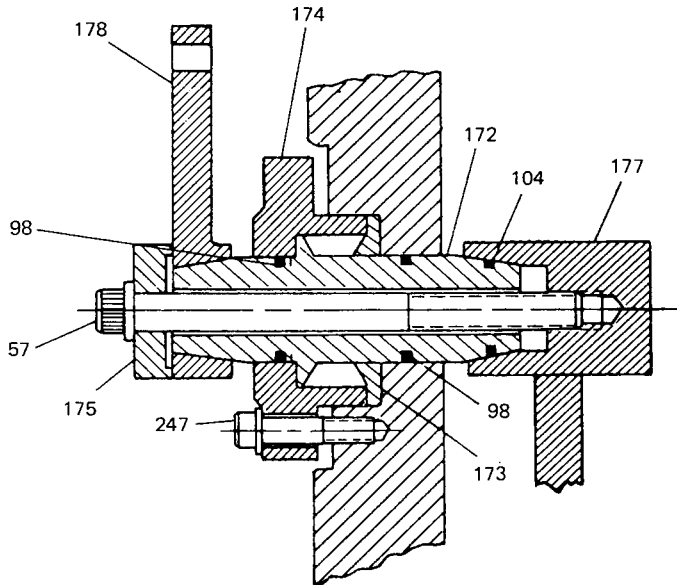


FIG. 39—PRV LEVER AND SHAFT ARRANGEMENT

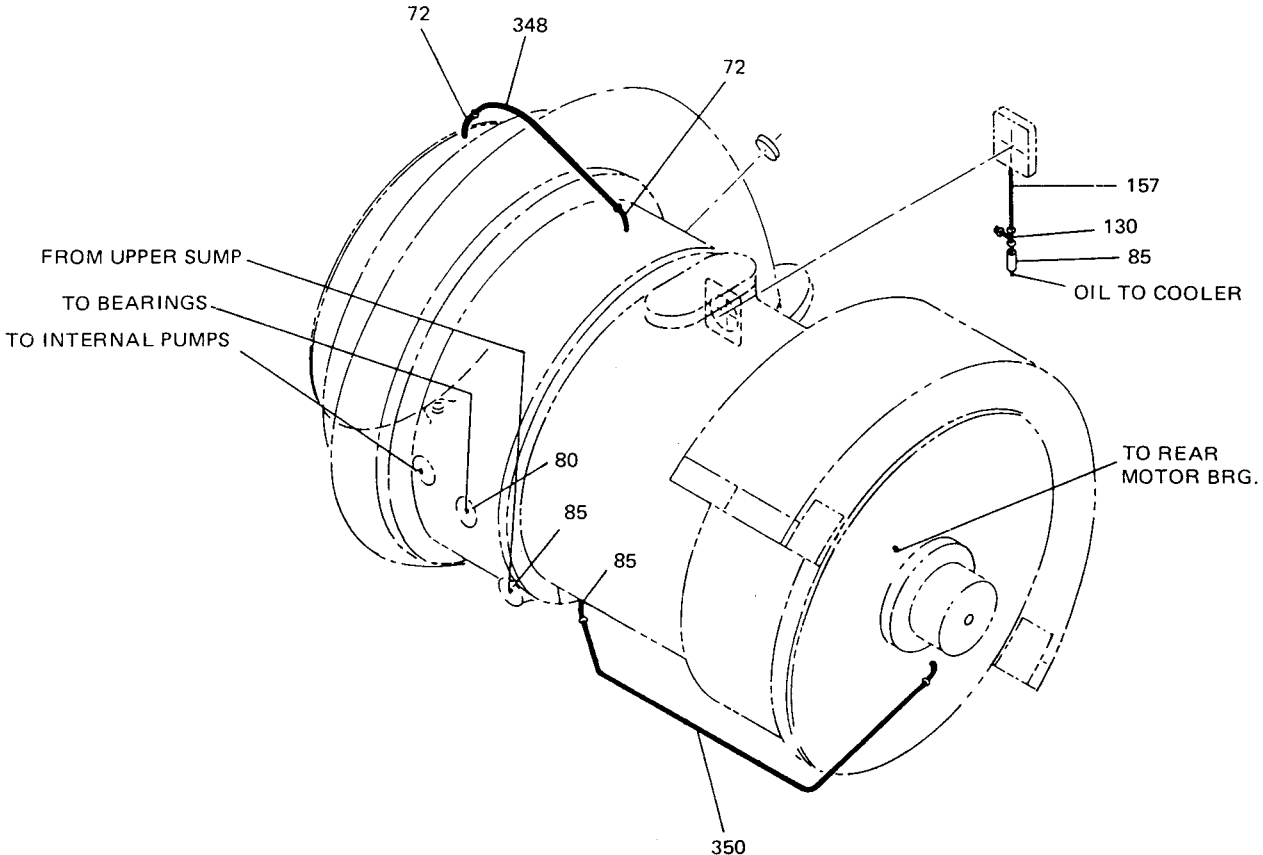
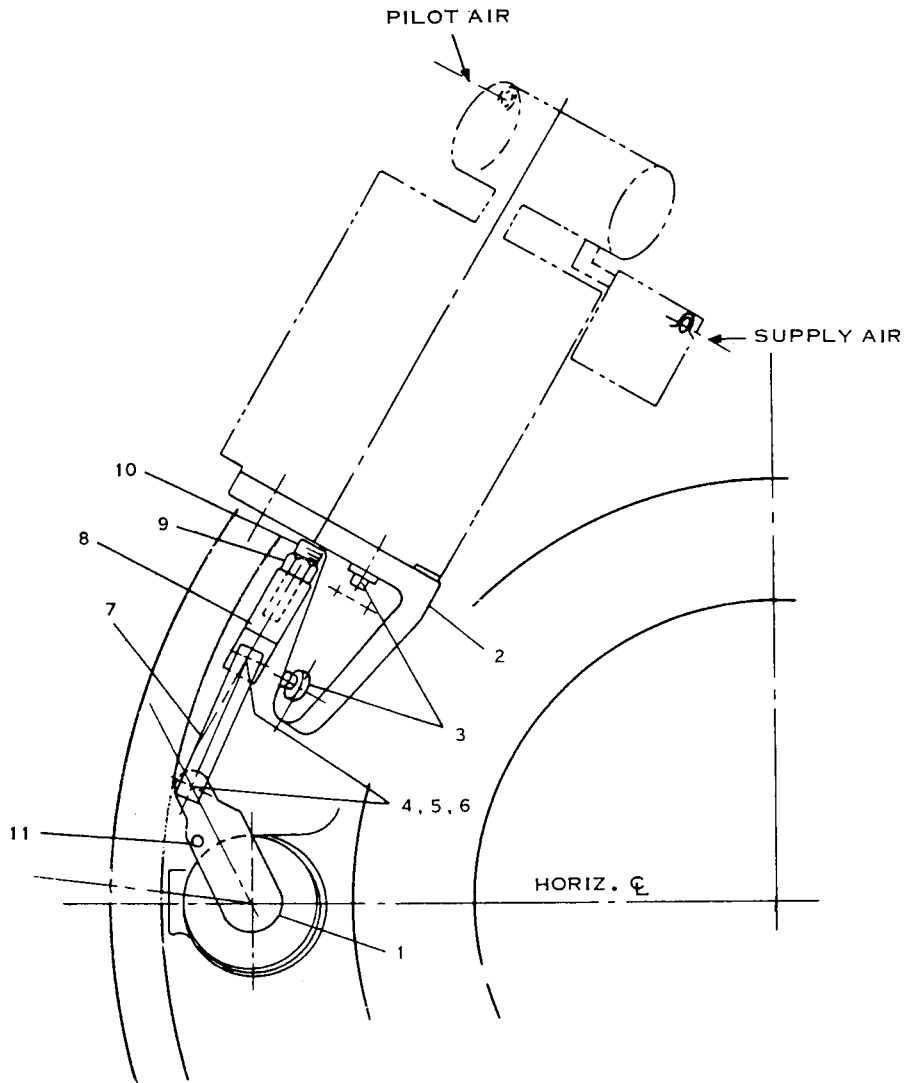


FIG. 40—OIL PIPING

**MODELS MTD108, MTD120, AND MTD126  
LINKAGE-EXTERNAL PRV  
AIR OPERATED**



**FIG. 42—LINKAGE EXTERNAL-PRV-AIR OPERATED**

ITEM	PART DESCRIPTION	QUAN.	PART NO.
1	LEVER, PRV DEVICE	1	064-28626
2	BRACKET	1	064-28625
3	SCREW, CAP 12 PT 1/2 x 1 1/2	7	021-11933
4	PIN, LINKAGE	2	064-07127
5	WASHER, PLAIN 13/32	4	021-01274
6	PIN COTTER	4	021-01083
7	LINKAGE	2	064-29618
8	CLEVIS, CONOMOTOR	1	064-29619
9	NUT, HEX JAM 3/4 UNF	1	021-00591
10	WASHER, PLAIN 13/32	6	021-05157
11	PIN INSERT 3/32 x 1 1/8	1	029-05900