

**YORK**  
INTERNATIONAL

B55750 PART 1



CERT NO FM 970  
QAS NO 3284-98

**SECTION 2**

**OPEN TURBOPAK  
CENTRIFUGAL LIQUID CHILLING UNITS**

**RENEWAL PARTS**

Supersedes: Nothing

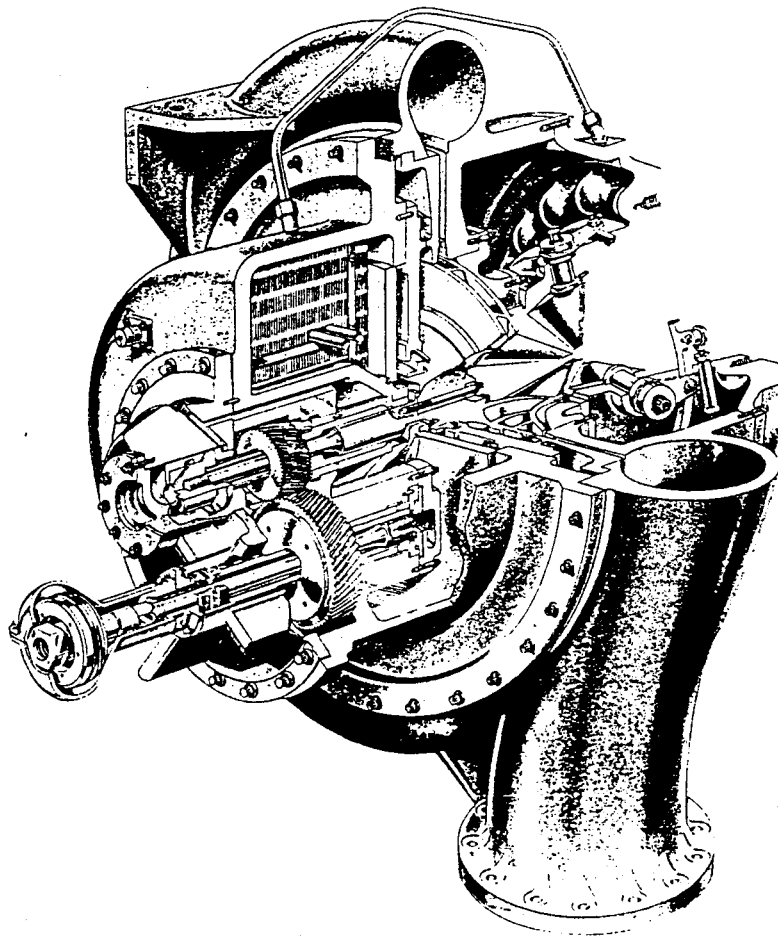
675

FORM 160.58-RP1 (SECT. 2.)

MODELS OT A1 TO OT K3 E3 (STYLE B)

COMPRESSORS

MODELS LTD53 TO LTD126



REFER TO COMPLETE PARTS LIST PAGES 3 TO 9 FOR REPLACEMENT COMPRESSOR PARTS. THE VARIOUS UNITS ARE LISTED WITH THEIR RESPECTIVE COMPRESSOR. TO LOCATE PARTS USE THE PARTS LIST, VARIABLE PARTS TABLE AND FIG'S. LISTED ON THE CHART BELOW.

COMPR. CODE	COMPR. MODEL	PART NO'S.		VARIABLE PARTS		SEE FIG'S.
		60 CYCLE	50 CYCLE	TABLE	PAGE	
A3	LTD53	364-42550-002	364-42550-002 364-42550-006	1	10	1 TO 8
A4	LTD59	364-42550-004	364-42550-004 364-42550-008			
B1	LTD67	364-42552-002	364-42552-002	2	16	9 TO 17
B2	LTD76	364-42552-004	364-42552-004			
C1	LTD85	364-42554-002	364-42554-005	3	22	18 TO 26
C2	LTD95	364-42554-003 364-42554-004	364-42554-004			
E1	LTD108	364-42556-002	364-42556-002	4	28	27 TO 33
E2	LTD120	364-42556-004	364-42556-004			
E3	LTD126	364-42556-006	364-42556-006			

## OPEN COMPRESSOR PARTS LIST

Item No.	Description	Model LTD 53 - 59		Model LTD 67 - 76		Model LTD 85 - 95		Model LTD 108 - 120 - 126	
		YORK Part No.	Quan.	YORK Part No.	Quan.	YORK Part No.	Quan.	YORK Part No.	Quan.
1	Rotor, Scroll Housing	064-32534	1	064-32513	1	064-12167	1	See Table 4	1
2	Prerotation Vane Assembly	See Table 1	1	See Table 2	1	See Table 3	1	See Table 4	1
3	Nozzle Plate Base	See Table 1	1	See Table 2	1	See Table 3	1	See Table 4	1
4	Retainer Nozzle Base Plate	—	—	—	—	—	—	See Table 4	1
5	Gasket Retainer to Nozzle Base Plate	—	—	—	—	—	—	See Table 4	1
6	Impeller Seal Ring	See Table 1	1	See Table 2	1	See Table 3	1	See Table 4	1
7	Flat Spring Washer	064-13817	1	See Table 2	1	See Table 3	1	See Table 4	1
8	Retaining Ring, Impeller Seal-Internal	029-08311	1	See Table 2	1	See Table 3	1	—	—
9	Defuser Plate	See Table 1	1	See Table 2	1	See Table 3	1	See Table 4	1
10	Rotor Support/with Bearing Housing	364-39314	1	364-39316	1	364-39318	1	364-39320	1
11	Main Shaft Bearing	† 064-09241	1	▪ 064-11642	1	• 064-21465	1	* 064-22678	1
12	Roll Pin, 1/8 Dia. x 9/16 Lg.	† 029-03990	1	▪ 029-03990	1	• 029-03990	1	* 029-03990	1
13	Pinion Gear Bearing	† 064-12285	1	▪ 064-11643	1	• 064-11643	1	* 064-22663	1
14	Retaining Ring Internal	029-07213	1	029-08496	1	029-08496	1	029-08780	1
15	Bearing Gear Front	† 064-13837	1	▪ 064-13845	1	• 064-13845	1	* 064-22677	1
16	Drive, Gear	See Compr. Name Plate	1	See Compr. Name Plate	1	See Compr. Name Plate	1	See Compr. Name Plate	1
17	Pinion Gear	See Compr. Name Plate	1	See Compr. Name Plate	1	See Compr. Name Plate	1	See Compr. Name Plate	1
18	Drive Shaft	See Table 1	1	064-24520	1	See Table 3	1	064-20142	1
19									
20	Rear Gear Bearing	† 064-12288	1	▪ 064-11665	1	• 064-11665	1	* 064-22675	1
21	Internal Retaining Ring	029-08321	1	029-06722	1	029-06722	1	029-08604	1
22	"O" Ring	⊕ 028-04408	2	⊕ 028-04348	2	⊕ 028-04348	2	⊕ 028-05194	2
23	Shaft Seal Collar	⊕ 064-12318-005	1	⊕ 064-12318-007	1	⊕ 064-12318-007	1	⊕ 064-16649-011	1
24	Thrust Bearing	† 064-12284	1	▪ 064-11644	1	• 064-11644	1	* 064-22662	1
25	Thrust Collar - High Speed Oil Pump	† 064-09587	1	▪ 064-11654	1	See Table 3	1	* 064-22713	1
26	"O" Ring	⊕ † 028-04409	2	▪ 028-04352	1	• 028-04352	1	* 028-04517	1
27	Oil Pump Cover - High Speed	064-12317	1	064-11660	1	064-11660	1	064-22707	1
28	Pressure Plate - Oil Pump H.S.	064-12548	1	064-11819	1	064-11819	1	064-22984	1
29	Insert Pin - 3/16 Dia. x 1/2 Lg.	029-04138	3	029-04138	2	029-04138	2	029-04138	2
30	Bearing Housing Gasket	† 064L00485	1	▪ 064L00487	1	• 064L00488	1	064L00489	1
31	"O" Ring	† 028-04989	1	▪ 028-05401	1	• 028-05401	1	—	—
32	"O" Ring - Drive Shaft 1-13/16 I.D. x 3/32 Sect.	See Table 1	1	028-07407	1	028-07407	1	* 028-04478	1
33	Volute Ring, Low Speed Pump	—	—	—	—	• 064-21467	1	* 064-13695	1
34	Insert Pin	—	—	—	—	029-07014	1	029-06863	1
35	Oil Pump, Low Speed	064-13828	1	064-13841	1	064-15509	1	064-13911	1
36	Oil Pump Housing	064-13838	1	064-13842	1	—	—	064-15256	1
37	Thrust Plate	—	—	—	—	• 064-14989	1	—	—
38	Back-Up Plate	—	—	—	—	064-14988	1	—	—

† Parts included in Field Replacement Kit - Models LTD53 & LTD59 - Part No. 464-29624

▪ Parts included in Field Replacement Kit - Models LTD67 & LTD76 - Part No. 464-29626

• Parts included in Field Replacement Kit - Models LTD85 & LTD95 - Part No. 464-29628

\* Parts included in Field Replacement Kit - Models LTD108, LTD120 and LTD126 - Part No. 464-29630

⊕ Parts included in Shaft Seal Kit - Part No. 464-24257

⊕ Parts included in Shaft Seal Kit - Part No. 464-24258

⊕ Parts included in Shaft Seal Kit - Part No. 464-24258

⊕ Parts included in Shaft Seal Kit - Part No. 464-29632

# OPEN COMPRESSOR PARTS LIST (CONTINUED)

Item No.	Description	Model LTD 53 - 59		Model LTD 67 - 76		Model LTD 85 - 95		Model LTD 108 - 120 - 126	
		YORK Part No.	Quan.	YORK Part No.	Quan.	YORK Part No.	Quan.	YORK Part No.	Quan.
39	Retaining Ring, Internal	—	—	—	—	029-08736	1	—	—
40	Gasket, 30-1/2 O.D. x 27-1/2 I.D. x 1/16 Thk.	—	—	064-27980	1	• 064-15521	1	—	—
41	Suction, Connection Low Speed Pump	—	—	—	—	064-21476	1	—	—
42	Suction Tube - Low Speed Oil Pump	—	—	—	—	064-15519	1	—	—
43	"O" Ring 1" O.D. x 3/4 I.D. x 1/8 Thk.	—	—	—	—	• 028-03282	2	—	—
44	Inner Seal Plate Gasket	† 070-12260	1	■ 064-11806	1	• 064-12144	1	★ 064-23013	1
45	Seal Plate	064-12259	1	064-11656	1	064-12252	1	064-22964	1
46	Oil Separator Gasket	† 070-15440	1	■ 064-11803	1	• 064-12145	1	★ 064-23014	1
47	Insert Pin	See Item 29	—	029-06855	1	029-06855	1	029-06855	1
48	Rotor Support to Oil Separator Gasket	—	—	—	—	—	—	★ 064-23012	1
49	Oil Separator Plate	064-21066	1	064-20436	1	064-21431	1	See Table 4	1
50	Ring Seal (Impeller)	† 064-21073	1	■ 064-20435	1	• 064-21430	1	See Table 4	1
51	Flat Spring Washer	064-12887	1	064-12887	1	064-21429	1	See Table 4	1
52	Retaining Ring Internal	029-05601	1	029-05601	1	029-08600	1	See Table 4	1
53	Main Shaft (High Speed)	064-12512	1	064-11655	1	See Table 3	1	064-22729	1
54	Impeller	See Table 1	1	See Table 2	1	See Table 3	1	See Table 4	1
55	Impeller Clamping Collar	064-09228	1	064-11659	1	064-21477	1	064-23093	1
56	Special Washer	064-16500	1	064-16500	1	064-21478	1	—	—
57	Cap Screw, 12 Pt. Hd. - 5/8 - 18 UNF x 2-3/4 Lg.	021L00499	1	—	—	—	—	—	—
	Cap Screw, 12 Pt. Hd. - 5/8 - 18 UNF x 3-3/4 Lg.	—	—	021L00021	1	—	—	—	—
	Cap Screw, 12 Pt. Hd. - 3/4 - 16 UNF x 4-3/4 Lg.	—	—	—	—	021L00039	1	—	—
	Cap Screw, 12 Pt. Hd. - 1/2 - 20 UNF-3A x 6 Lg.	—	—	—	—	—	—	021-11998	4
58	Base Plate Nozzle Gasket	† 064-20802	1	■ 064-20660	1	064-21463	1	See Table 4	1
59	PRV Gasket to Scroll	—	—	—	—	—	—	★ 064-23008	1
60	Rotor Support Gasket to Scroll	—	—	—	—	—	—	★ 064-23015	1
61	Plug Sight 1-1/2"	026-16556	2	026-16556	2	026-16556	2	026-16556	2
62	Tube	—	—	—	—	—	—	—	—
63	Tube 3/4 O.D. x .049 Wall	064-27288	1	064-27288	1	064-31782	5	—	—
64	—	—	—	—	—	—	—	—	—
65	Dowel Pin 1/2" Dia. x 2" Lg.	—	3	—	3	—	3	—	3
66	Tube 3/4 O.D. x .049 Wall	—	1	—	—	—	—	064-31781	2
70	"O" Ring - 4-1/4" O.D. x 4 I.D. x 1/8 Sect.	—	—	—	—	028-04349	1	—	—
71	Tubing 1/4" O.D. x .035 Wall	064-31759	1	—	—	—	—	—	—
72	El, 45°, 3/4 Tube x 3/4 MPT	023-07264	2	023-07264	2	023-07264	2	023-07264	4
73	Oil Eliminator (Frame Type)	364-13699	1	364-13441	1	364-18474	1	364-23041	1
74	Oil Eliminator (Can Type)	364-13347	1	364-13347	2	364-13347	2	—	—
75	Coupling, 1/2 Tube x 1/2 FPT	023-07559	1	—	—	—	—	—	—
	Coupling, 5/8 Tube x 1/2 FPT	—	—	023-07342	2	—	—	—	—
	Coupling, 3/4 Tube x 1/2 FPT	—	—	—	—	023-07661	2	—	—

- † Parts included in Field Replacement Kit - Models LTD53 & LTD59 - Part No. 464-29624
- Parts included in Field Replacement Kit - Models LTD67 & LTD76 - Part No. 464-29626
- Parts included in Field Replacement Kit - Models LTD85 & LTD95 - Part No. 464-29628
- ★ Parts included in Field Replacement Kit - Models LTD108, LTD120 and LTD126 - Part No. 464-29630

18.25

YORK INTERNATIONAL

## OPEN COMPRESSOR PARTS LIST (CONTINUED)

Item No.	Description	Model LTD 53 - 59		Model LTD 67 - 76		Model LTD 85 - 95		Model LTD 108 - 120 - 126	
		YORK Part No.	Quan.	YORK Part No.	Quan.	YORK Part No.	Quan.	YORK Part No.	Quan.
76	Special Connector	064-07937	1	064-07317	2	—	—	064-07315	2
77	Coupling, 5/8 Tube x 1/2 FPT (Cinch Type)	023-07342	1	—	—	—	—	—	—
78	Pipe Plug, Hex. Socket Head - 1/2	023-01994	3	023-01994	2	023-01994	3	023-01994	4
79	Pipe Plug, 1/4 - 18 NPT	023-01972	3	023-01972	3	023-01972	3	023-01972	3
80	Pipe Plug, 1"	—	—	023-04054	1	023-04054	1	023-04054	1
81	Pipe Plug, 1-1/4"	—	—	023-02015	3	—	—	—	—
82	Pipe Plug, 2"	023-02027	1	—	—	—	—	023-02027	2
83	Pipe Plug, 3/8 (Sq. Hd.)	—	—	023-09908	1	—	—	—	—
84	Pipe Plug, 3/4 - 14 NPT, Sq. Csk.	023-04208	2	—	—	—	—	—	—
85	Pipe Plug, 3/4 - NPT	023-04053	3	023-04053	3	023-04053	4	023-04053	3
86	Pipe Plug, 1/2 Sq. Hex.	023-03822	2	023-03822	3	023-03822	1	023-01994	3
87	Plug, Drain	223L00462	1	223L00462	1	223L00462	1	223L00462	1
88	Flareless Plug With "O" Ring* (028-07759)	023-07158	1	023-07158	1	023-07158	1	—	—
89	Gasket	† 064-26781	1	■ 064-26781	1	● 064-26781	1	★ 064-26781	1
90	Oil Filter Cover	064-26780	1	064-26780	1	064-26780	1	064-26780	1
91	Tubing, 1/2 O.D. x .049 Wall	064-31771	1	064-31770	3	—	—	—	—
92	Tubing, 3/8 O.D. x .049 Wall	064-31762	1	064-31762	1	064-31763	1	—	—
93	Tubing, 5/8 O.D. x .049 Wall	—	—	064-31777	2	—	—	—	—
94	Tubing, 5/8 O.D. x .049 Wall	003L00023	1	003L00023	1	—	—	—	—
95	Bushing, Pipe 2 x 1/2	—	—	—	—	023-04049	—	023-04049	1
96	Connection - Vent Tube	064-15981	1	—	—	064-15533	1	—	—
97	Extension Tube	064-13895	1	064-14316	1	—	—	—	—
98	"O" Ring, 1-3/8 O.D. x 1-1/8 I.D. x 1/8 Sect.	† 028-04353	1	■ 028-04353	2	● 023-04353	1	★ 028-04353	1
99	"O" Ring, 1-7/8 O.D. x 1-5/8 I.D. x 1/8 Sect.	† 028-04861	1	■ 028-04861	1	—	—	—	—
100	"O" Ring, 1" O.D. x 7/8 I.D. x 1/16 Sect.	† 028-06932	1	—	—	—	—	—	—
103	"O" Ring, 1-1/4 O.D. x 1 I.D. x 1/8 Sect.	† 028-04522	2	■ 028-04522	2	● 028-04522	1	★ 028-04522	1
104	Adapter	064-20636	1	064-20636	1	—	—	—	—
105	Gasket, Oil Jet Pump	† 064-12101	1	■ 064-12101	1	—	—	—	—
106	Elbow, Screw 90° - 3/4 FPT	023-04313	1	—	—	—	—	—	—
107	Pipe Plug 1"	—	—	—	—	—	—	023-05909	1
109	—	—	—	—	—	—	—	—	—
110	Elbow, 90°, 5/8 Tube x 1/2 MPT	023-06818	2	—	—	—	—	—	—
111	—	—	—	—	—	—	—	—	—
112	Elbow, 45°, 3/8 Tube x 1/4 MPT	—	—	023-07092	1	—	—	—	—
113	Elbow, 45°, 1/2 Tube x 3/8 MPT	—	—	023-07172	2	—	—	—	—
114	—	—	—	—	—	—	—	—	—
115	Elbow, 90°, 3/4 Tube x 3/4 MPT	023-06820	1	—	—	023-06820	4	—	—

\*Part of Field Replacement Kit

† Parts included in Field Replacement Kit - Models LTD53 &amp; LTD59 - Part No. 464-29624

■ Parts included in Field Replacement Kit - Models LTD67 &amp; LTD76 - Part No. 464-29626

● Parts included in Field Replacement Kit - Models LTD85 &amp; LTD95 - Part No. 464-29628

★ Parts included in Field Replacement Kit - Models LTD108, LTD120 and LTD126 - Part No. 464-29630

## OPEN COMPRESSOR PARTS LIST (CONTINUED)

Item No.	Description	Model LTD 53 - 59		Model LTD 67 - 76		Model LTD 85 - 95		Model LTD 108 - 120 - 126	
		YORK Part No.	Quan.	YORK Part No.	Quan.	YORK Part No.	Quan.	YORK Part No.	Quan.
116		---	--	---	--	---	--	---	--
117		---	--	---	--	---	--	---	--
118	Elbow, 90°, 1/4 Tube x 1/4 MPT	023-06813	1	---	--	---	--	---	--
119		---	--	---	--	---	--	---	--
120	Elbow, Cinch Type 90°, 3/4 T x 3/4 T	---	--	---	--	---	--	023-09506	2
121		---	--	---	--	---	--	---	--
122		---	--	---	--	---	--	---	--
123		---	--	---	--	---	--	---	--
124	Connector, 3/8 Tube x 3/8 MPT (Cinch Type)	023-06802	1	---	--	---	--	---	--
125		---	--	---	--	---	--	---	--
126		---	--	---	--	---	--	---	--
127	Connector, 5/8 O.D. x 1/2 NPTE	---	1	023-06805	1	---	--	---	--
128	Connector, 3/8 Tube x 1/4 NPT	---	--	---	--	023-06801	1	---	--
129	Tee, Screw 3/4 x 3/4 x 1/2	023-04357	1	---	--	---	--	023-04357	1
130	Nipple, Pipe 1/2 Sch 80 x 1-3/4 Lg	070-01990	1	---	--	---	--	---	--
131		---	--	---	--	---	--	---	--
132	Tee, Screw 3/4	---	--	023-04337	1	023-04337	1	---	--
133		---	--	---	--	---	--	---	--
134		---	--	---	--	---	--	---	--
135		---	--	---	--	---	--	---	--
136		---	--	---	--	---	--	---	--
137	Bushing, 3/4 M.P.T. x 1/2 F.P.T.	---	--	023-04010	1	---	--	---	--
138		---	--	---	--	---	--	---	--
139		---	--	---	--	---	--	---	--
140		---	--	---	--	---	--	---	--
141		---	--	---	--	---	--	---	--
142		---	--	---	--	---	--	---	--
143		---	--	---	--	---	--	---	--
144		---	--	---	--	---	--	---	--
145		---	--	---	--	---	--	---	--
146	Nipple, Pipe - 3/4 Sch. 80 x 2 Lg.	070-16054	2	---	--	---	--	---	--
147		---	--	---	--	---	--	---	--
148	Nipple, Pipe - 1/2 Sch. 80 x 2 Lg.	067-39603	1	---	--	---	--	---	--
149	Nipple, Pipe - 3/4 Sch. 80 x 1-3/8 Lg.	---	--	070-01541	4	070-01541	1	070-01541	1
150		---	--	---	--	---	--	---	--
151		---	--	---	--	---	--	---	--
152		---	--	---	--	---	--	---	--
153		---	--	---	--	---	--	---	--
154		---	--	---	--	---	--	---	--
155		---	--	---	--	---	--	---	--

- † Parts included in Field Replacement Kit - Models LTD53 & LTD59 - Part No. 464-29624
- Parts included in Field Replacement Kit - Models LTD67 & LTD76 - Part No. 464-29626
- Parts included in Field Replacement Kit - Models LTD85 & LTD95 - Part No. 464-29628
- \* Parts included in Field Replacement Kit - Models LTD108, LTD120 and LTD126 - Part No. 464-29630

## OPEN COMPRESSOR PARTS LIST (CONTINUED)

Item No.	Description	Model LTD 53 — 59		Model LTD 67 — 76		Model LTD 85 — 95		Model LTD 108 — 120 — 126	
		YORK Part No.	Quan.	YORK Part No.	Quan.	YORK Part No.	Quan.	YORK Part No.	Quan.
156	Tee, Screw 1-1/2	023-04340	1	—	—	—	—	—	—
157		—	—	—	—	—	—	—	—
158		—	—	—	—	—	—	—	—
159		—	—	—	—	—	—	—	—
160		—	—	—	—	—	—	—	—
161	Control Shaft	364-29573	1	364-29573	1	364-29573	1	364-29573	1
162	Gasket, 2-1/2 O.D. x 2 I.D. x 1/16 Thk.	† 028-00781	1	▪ 028-00781	1	• 028-00781	1	* 028-00781	1
163	Shaft Control Cover	064-13909	1	064-13909	1	064-13909	1	064-13909	1
164	Special Washer	064-08815	1	064-08815	1	064-08815	1	064-08815	1
165	Screw, Cap 12 Pt. Hd. 1/2 — 20 UNF x 6 Lg.	021L00474	1	021L00474	1	021L00474	1	See Item 57	1
166	Lever, PRV Device Internal	364-28447	1	364-20399	1	364-21442	1	364-22708	1
167	Lever, PRV Device	See Figs. 9 & 10	1	See Figs. 18 & 19	1	See Figs. 27 & 28	1	See Figs. 35 & 36	1
168	Pin Insert, 3/32 Dia. x 3/8 Lg.	029-04551	2	029-04551	2	029-04551	2	029-04551	2
169	Screw, Special, 3/8 — 24 UNF x 1-5/8 Lg.	064-10825	1	064-10825	1	—	—	—	—
170	Screw, Special, 3/8 — 24 UNF x 2-3/4 Lg.	064-28428	1	—	—	—	—	—	—
171	Screw, Special, 1/2 — 20 UNF x 5-3/8 Lg.	—	—	—	—	064-09078	1	—	—
172	Fill Piece	064-28446	1	064-12328	3	064-09070	1	064-09070	2
173	Fill Piece	064-10821	1	—	—	064-09069	1	—	—
174	Lockwasher, Spring, 3/8	021-05269	1	021L00472	1	—	—	—	—
175	Lockwasher, Spring, 1/2	—	—	—	—	021-05249	1	—	—
176	Pin, Cotter 3/32 Dia. x 3/4 Lg.	021-01083	1	021-01083	1	021-01083	1	021-01083	2
177	Nut, Hex. Reg. 3/8 — 24 UNF	021-00474	3	—	—	—	—	—	—
178	Nut, Hex. Reg. 1/2 — 20 UNF	—	—	—	—	021-10171	3	021-10171	2
179	Rod, Adjustable	064-10823	1	064-12314	1	064-09080	1	064-09080	1
180	Bearing, Rod End Spherical	029-08343	2	029-08343	2	029-07015	2	029-07015	2
181	Screw, Special 1/2 — 20 UNF — 3 x 1-3/4 Lg.	—	—	—	—	064-09079	1	064-09079	2
182	Screw, Cap Hex. Hd., 1/4—20 UNC—2A x 3/4 Lg.	—	—	—	—	—	—	021-01379	2
183	Screw, Cap Hex. Hd., 1/4—20 x 1" Lg.	021-11914	2	021-11914	1	021-11914	2	—	—
184	Screw, Cap Hex. Hd., 1/4—20 x 1-1/2 Lg.	—	—	021-02399	1	—	—	—	—
185	Screw, Cap 12 Pt. Hd. 5/16—24 UNF x 1-3/4 Lg.	021-11532	1	021-11532	1	021-11532	1	021-11532	1
186		—	—	—	—	—	—	—	—
187	Screw, Cap 12 Pt. Hd., 5/16—18 UNC x 1" Lg.	021-12039	4	021-12039	4	021-12039	4	021-12039	4
188	Screw, Cap 12 Pt. Hd., 3/8—16 UNC x 1" Lg.	021-11149	6	—	—	—	—	—	—
189	Screw, Cap 12 Pt. Hd., 3/8—16 UNC x 1-1/4 Lg.	021-01486	19	021-01486	21	021-01486	4	021-01486	10
190	Screw, Cap 12 Pt. Hd., 3/8—16 UNC x 1-1/2 Lg.	021L00472	13	021L00472	11	021L00472	8	021L00472	32
191	Screw, Cap 12 Pt. Hd., 3/8—16 UNC x 1-3/4 Lg.	021L00010	5	—	—	021L00010	20	021L00010	14
192	Screw, Cap 12 Pt. Hd., 3/8—16 UNC x 7/8 Lg.	021-02585	4	021-02585	4	—	—	—	—
193	Screw, Cap 12 Pt. Hd., 3/8—16 UNC—3A x 2" Lg.	—	—	021L00011	6	—	—	—	—
194	Screw, Cap 12 Pt. Hd., 3/8—16 UNC x 2-1/4 Lg.	—	—	—	—	021L00038	2	—	—
195	Screw, Cap 12 Pt. Hd., 3/8—24 NF x 1" Lg.	—	—	—	—	021L00017	6	—	—

- † Parts included in Field Replacement Kit — Models LTD53 & LTD59 — Part No. 464-29624
- Parts included in Field Replacement Kit — Models LTD67 & LTD76 — Part No. 464-29626
- Parts included in Field Replacement Kit — Models LTD85 & LTD95 — Part No. 464-29628
- \* Parts included in Field Replacement Kit — Models LTD108, LTD120 and LTD126 — Part No. 464-29630

## OPEN COMPRESSOR PARTS LIST (CONTINUED)

Item No.	Description	Model LTD 53 - 59		Model LTD 67 - 76		Model LTD 85 - 95		Model LTD 108 - 120 - 126	
		YORK Part No.	Quan.	YORK Part No.	Quan.	YORK Part No.	Quan.	YORK Part No.	Quan.
196	Screw, Cap 12 Pt. Hd., 3/8-16 UNC-3A x 1-1/8 Lg.	—	—	—	—	—	—	021-01572	24
197	Screw, Cap 12 Pt. Hd., 1/2-13 UNC-3A x 1-1/2 Lg.	—	—	—	—	—	—	021-11933	30
198	Screw, Cap 12 Pt. Hd., 5/8-11 UNC x 1-1/2 Lg.	021-06631	24	021-06631	32	—	—	—	—
199	Screw, Cap 12 Pt. Hd., 3/8-24 UNF x 7/8 Lg.	—	—	021L00090	6	—	—	—	—
200	Screw, Cap 12 Pt. Hd., 5/8-11 UNC x 1-3/4 Lg.	021-01629	18	—	—	—	—	—	—
201	—	—	—	—	—	—	—	—	—
202	Screw, Cap 12 Pt. Hd., 3/4-10 UNC-3A x 2-1/4 Lg.	—	—	021-11980	2	—	—	021L00015	96
203	—	—	—	—	—	—	—	—	—
204	Screw, Cap 12 Pt. Hd., 5/8-11 UNC x 2" Lg.	—	—	—	—	021-02594	36	—	—
205	—	—	—	—	—	—	—	—	—
206	—	—	—	—	—	—	—	—	—
207	Screw, Cap 12 Pt. Hd., 3/4-10 UNC x 2" Lg.	—	—	021L00014	14	021L00014	16	—	—
208	Screw, Cap 12 Pt. Hd., 3/8-16 UNC x 1-3/8 Lg.	—	—	021-08946	4	021-08946	4	—	—
209	Screw, Cap 12 Pt. Hd., 3/8-24 UNF x 1-1/2 Lg.	—	—	—	—	021-14221	3	—	—
210	Screw, Mach. Prr. Hd. No. 10-24 UNC x 3/8 Lg.	021-03745	1	021-03745	1	021-03745	1	—	—
211	Screw, Mach. Prr. Hd. No. 10-24 UNC x 5/8 Lg.	—	—	021-01785	1	021-01785	2	021-01785	1
212	Screw, Mach. Prr. Hd. No. 10-24 UNC x 1/4 Lg.	—	—	—	—	—	—	021-12061	1
213	Screw, Mach. Prr. Hd. No. 10-24 UNC x 3/4 Lg.	021-01797	1	—	—	—	—	—	—
214	—	—	—	—	—	—	—	—	—
215	Screw, Cap Hex. Hd., 1/2-13 UNC-2A x 1-1/4 Lg.	—	—	—	—	—	—	—	—
216	Screw, Cap Hex. Hd., 1/2-13 UNC-2A x 1-1/2 Lg.	—	—	021-01572	2	—	—	—	—
217	Screw, Drive No. 4 x 1/4 Lg.	021-03720	10	021-03720	10	021-03720	10	021-03720	10
218	Nut, Hex - 1/4-20 UNC	021-00450	2	021-00450	2	021-00450	2	021-00450	2
219	—	—	—	—	—	—	—	—	—
220	—	—	—	—	—	—	—	—	—
221	—	—	—	—	—	—	1	—	—
222	—	—	—	—	—	—	—	—	—
223	—	—	—	—	—	—	—	—	—
224	Washer, 1/2 O.D. x 17/64 I.D. x .016 Thk.	021-11973	5	021-11973	5	021-11973	10	021-11973	5
225	Washer, Flat	064-11649	6	064-11649	6	—	—	—	—
226	Washer, Plain 3/16 O.D. x 13/32 x .065 Thk.	—	—	—	—	—	—	021-01572	6
227	Washer, Plain 13/16 O.D. x 1-1/2 I.D. x .134 Thk.	—	—	021-05157	3	—	—	—	—
228	—	—	—	—	—	—	—	—	—
229	—	—	—	—	—	—	—	—	—
230	—	—	—	—	—	—	—	—	—
231	—	—	—	—	—	—	—	—	—
232	—	—	1	—	—	—	—	—	—
233	—	—	—	—	—	—	—	—	—
234	Rotation Name Plate	029-00334	1	029-00334	1	029-00334	1	029-00334	1
235	Clip, Top	—	—	221-11600	1	—	—	—	—

18.29

YORK INTERNATIONAL

# OPEN COMPRESSOR PARTS LIST (CONTINUED)

Item No.	Description	Model LTD 53 - 59		Model LTD 67 - 76		Model LTD 85 - 95		Model LTD 108 - 120 - 126	
		YORK Part No.	Quan.	YORK Part No.	Quan.	YORK Part No.	Quan.	YORK Part No.	Quan.
236	Carbon Shaft Seal	—	—	—	—	—	—	⊛ 029-09201	1
237	Ring, Shaft Seal	⊕ 064-15385-006	1	⊙ 029-06805-008	1	⊙ 029-08605-008	1	⊛ 064-16650-011	1
238	Helical Spring	⊕ 029-11568-002	1	⊙ 029-11568-001	1	⊙ 029-11568-001	1	⊛ 029-09089-011	1
239	Cover Shaft Seal	⊕ 064-23942	1	⊙ 064-22929	1	⊙ 064-22929	1	⊛ 064-22975	1
240	Gasket	064-22742	1	■ 064-22706	1	● 064-22706	1	⊛ 064-23108	1
241	Coupling Guard	See Sales Order	—	See Sales Order	—	See Sales Order	—	See Sales Order	—
242	Coupling	See Sales Order	—	See Sales Order	—	See Sales Order	—	See Sales Order	—
243	Spacer Coupling	064-22743	1	064-22704	1	064-22704	1	—	—
244	Gasket	—	—	■ 064-22705	1	—	—	—	—
245	Plunger, Oil Relief Valve	064-14790	1	064-14790	1	064-14790	1	064-14790	1
246	Spring, Helical	029-06143	1	029-06143	1	029-06143	1	029-06143	1
247	Gasket	† 028-03021	1	■ 028-03021	1	● 028-03021	1	* 028-03021	1
248	Oil Relief Valve Seal Cap	065-06394	1	065-06394	1	065-06394	1	065-06394	1
249	Nut, Hex 1/2-13 UNC	—	—	—	—	—	—	021-00485	2
250	"O" Ring, 4-1/4 x 4 x 1/8 Sect.	—	—	⊙ 028-04349	1	—	—	—	—
251	Nut, Hex 3/8-24 UNF	—	—	021-00474	2	—	—	—	—
252	Bushing, Pipe O. S. hex 1-1/2 x 2	023-06023	1	023-06023	1	—	—	—	—
253	Bracket, Oil Filter Mounting	—	—	064-25439	1	—	—	—	—
254	—	—	—	—	—	—	—	—	—
255	Locktite - "Nut Lock" Type CV (4-10)	013-01678	As Req'd.	013-01678	As Req'd.	013-01678	As Req'd.	013-01678	As Req'd.
256	Name Plate, Data	029-13380	1	029-13380	1	029-13380	1	029-13380	1
257	Name Plate, Patent	029-13270-002	1	029-13270-002	1	029-13270-002	1	029-13270-002	1
258	Tube 3/4 O.D. x .049 Wall	—	—	—	—	—	—	003-00030	1
259	Tube 3/4 O.D. x .049 Wall	—	—	—	—	—	—	064-31782	2
260	—	—	—	—	—	—	—	—	—
261	Elbow, Scr. St. 3/4 NPTE x 3/4 NPTI	—	—	—	—	—	—	—	—
262	—	—	—	—	—	—	—	—	—
263	Gasket, Round	064-26777	1	—	—	064-29866	1	—	—
264	—	—	—	—	—	—	—	—	—
265	—	—	—	—	—	—	—	—	—
266	—	—	—	—	—	—	—	—	—
267	—	—	—	—	—	—	—	—	—

- † Parts included in Field Replacement Kit - Models LTD53 & LTD59 - Part No. 464-29624
- Parts included in Field Replacement Kit - Models LTD67 & LTD76 - Part No. 464-29626
- Parts included in Field Replacement Kit - Models LTD85 & LTD95 - Part No. 464-29628
- \* Parts included in Field Replacement Kit - Models LTD108, LTD120 and LTD126 - Part No. 464-29630
- ⊕ Parts included in Shaft Seal Kit - Part No. 464-24257
- ⊙ Parts included in Shaft Seal Kit - Part No. 464-24258
- ⊙ Parts included in Shaft Seal Kit - Part No. 464-24258
- ⊛ Parts included in Shaft Seal Kit - Part No. 464-29632

COMPRESSOR—MODELS LTD53 AND LTD59

CUTAWAY VIEW

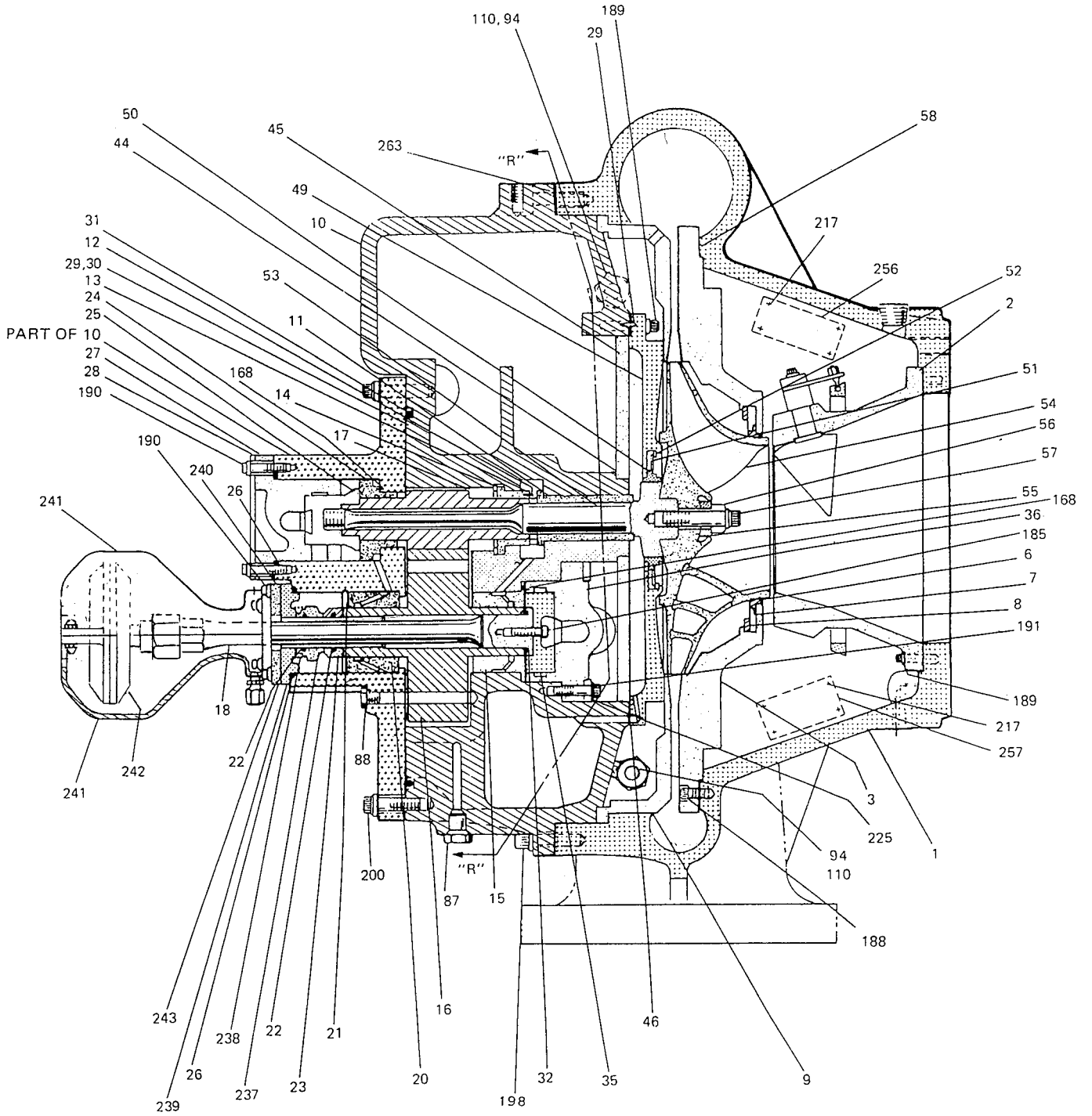


FIG. 2— (CONT'D)

COMPRESSORS—MODELS LTD53 AND LTD59

TABLE 1— VARIABLE PARTS

ITEM NO.	DESCRIPTION	60 CYCLE				50 CYCLE			
		MODEL LTD53		MODEL LTD59		MODEL LTD53		MODEL LTD59	
		PART NO.	QUAN.	PART NO.	QUAN.	PART NO.	QUAN.	PART NO.	QUAN.
2	PREROTATION VANE ASSEMBLY	364-15261	1	364-15262	1	364-15261	1	364-15262	1
3	NOZZLE BASE PLATE	064-20800	1	064-20801	1	064-20800	1	064-20801	1
6	IMPELLER SEAL RING	064-13815	1	064-13816	1	064-13815	1	064-13816	1
9	DEFUSER PLATE	064-12769	1	064-12768	1	064-12769	1	064-12768	1
18	DRIVE SHAFT	064-15471	1	064-15471	1	064-27518	1	064-27518	1
32	"O"-RING DRIVE SHAFT	†028-04479	1	†028-04479	1	†028-08270	1	†028-08270	1
54	IMPELLER	064-12306	1	064-12305	1	064-12306	1	064-12305	1
241	COUPLING GUARD	364-33571	1	364-33571	1	364-33576	1	364-33576	1
242	COUPLING	364-06398	1	364-06398	1	364-27522	1	364-27522	1

†PARTS INCLUDED IN FIELD REPLACEMENT KIT — MODELS LTD53 & LTD59 — PART NO. 464-29624.

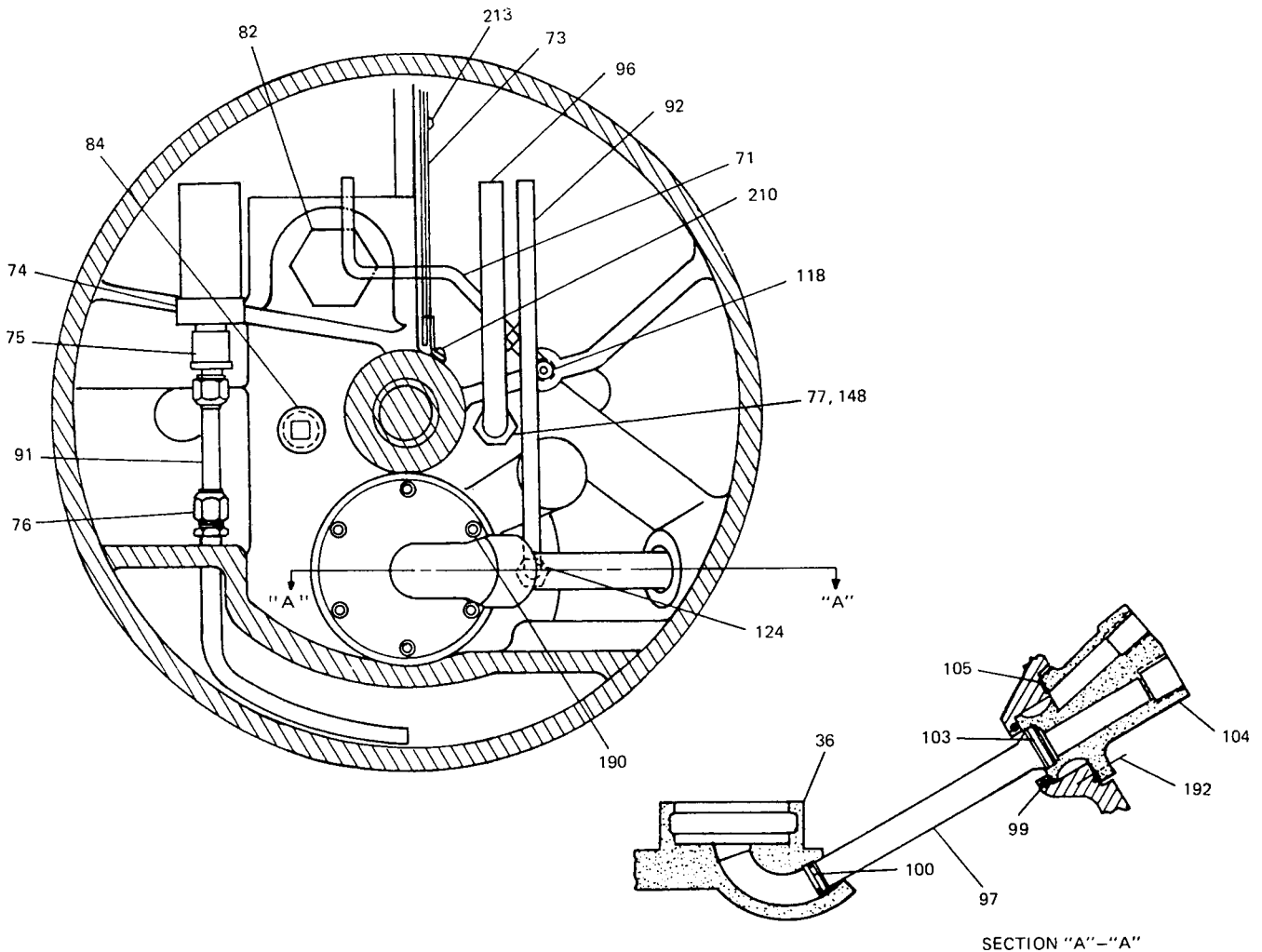


FIG. 3— SECTION "R"—"R" — SHOWING OIL PUMP AND INTERNAL PARTS

COMPRESSORS—MODELS LTD53 AND LTD59

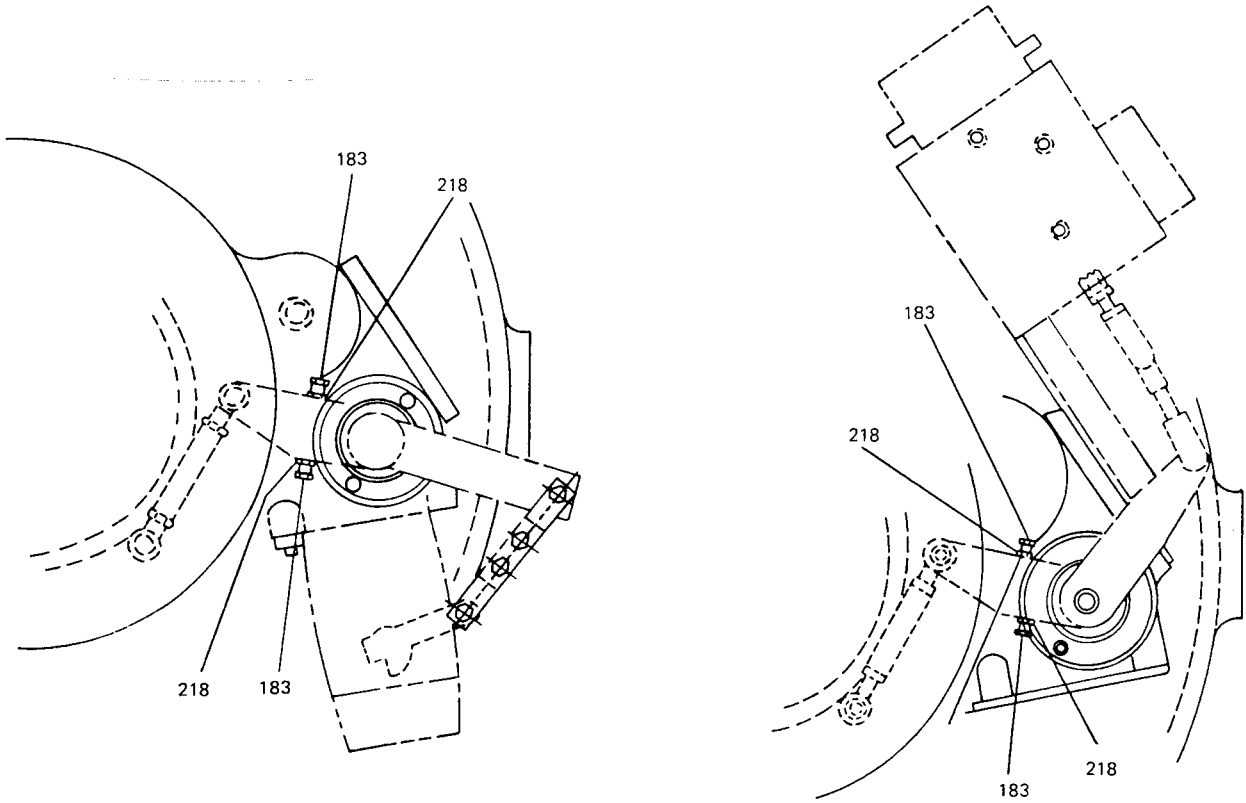


FIG. 4— ELECTRIC MOTOR LEVER – ADJUSTMENT PARTS

PNEUMATIC PRV POSITION LEVER ADJUSTMENT PARTS

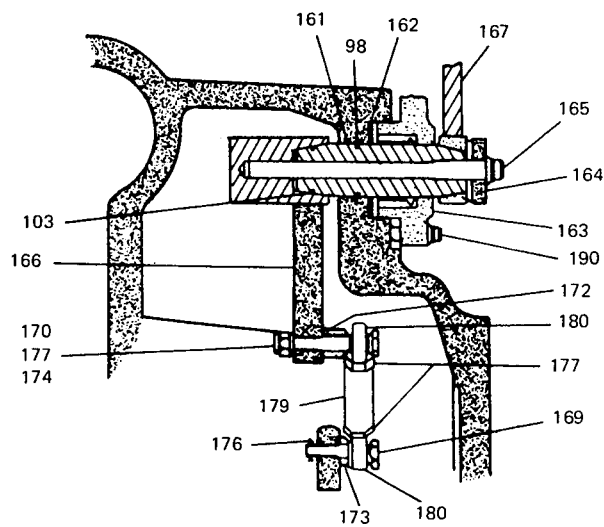
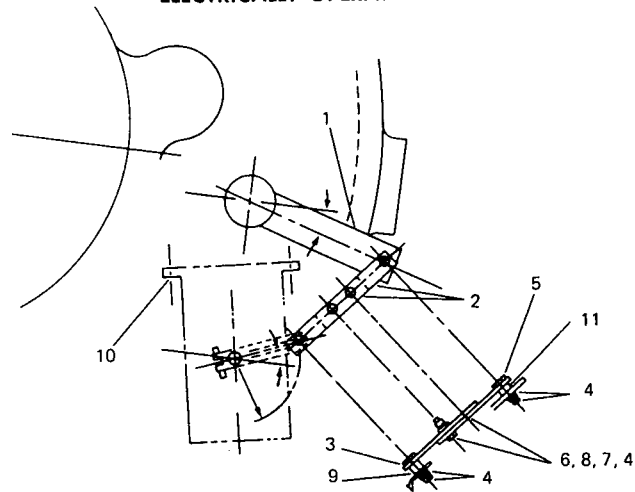


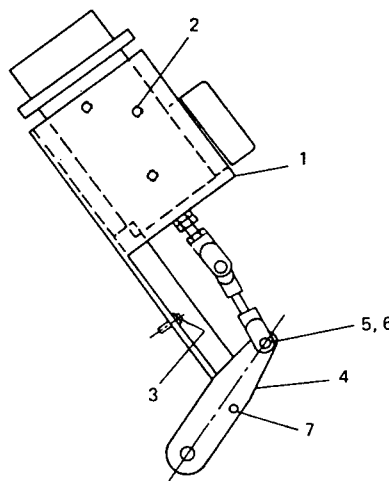
FIG. 5— PRV – CONTROL SHAFT & INTERNAL LINKAGE

**MODELS LTD53 AND LTD59  
LINKAGE - EXTERNAL PRV  
ELECTRICALLY OPERATED**



**FIG. 7— LINKAGE EXTERNAL PRV – ELECTRICAL OPERATED**

ITEM	PART DESCRIPTION	QUAN.	PART NO.
1	LEVER, PRV DEVICE	1	364-28236
2	LINK, EXT. PRV	2	064-28260
3	BOLT SHOULDER	1	064-28286
4	NUT, HEX, 1/4-20UNC	6	021-00450
5	BOLT SHOULDER	1	064-28282
6	SCREW, CAP HEX HD.	2	021-11914
7	LOCKWASHER, 1/4	2	021-05267
8	WASHER, PLAIN	2	021-05165
9	RING, 5/8 O.D. x 17/64 x 1/2 LG.	1	064-28284
10	SCREW, CAP 12 PT. HD.	3	021-11741
11	RING, 5/8 OD x 17/64 x 3/8 LG.	1	064-28353
12	ARM, CRANK	1	025-17073

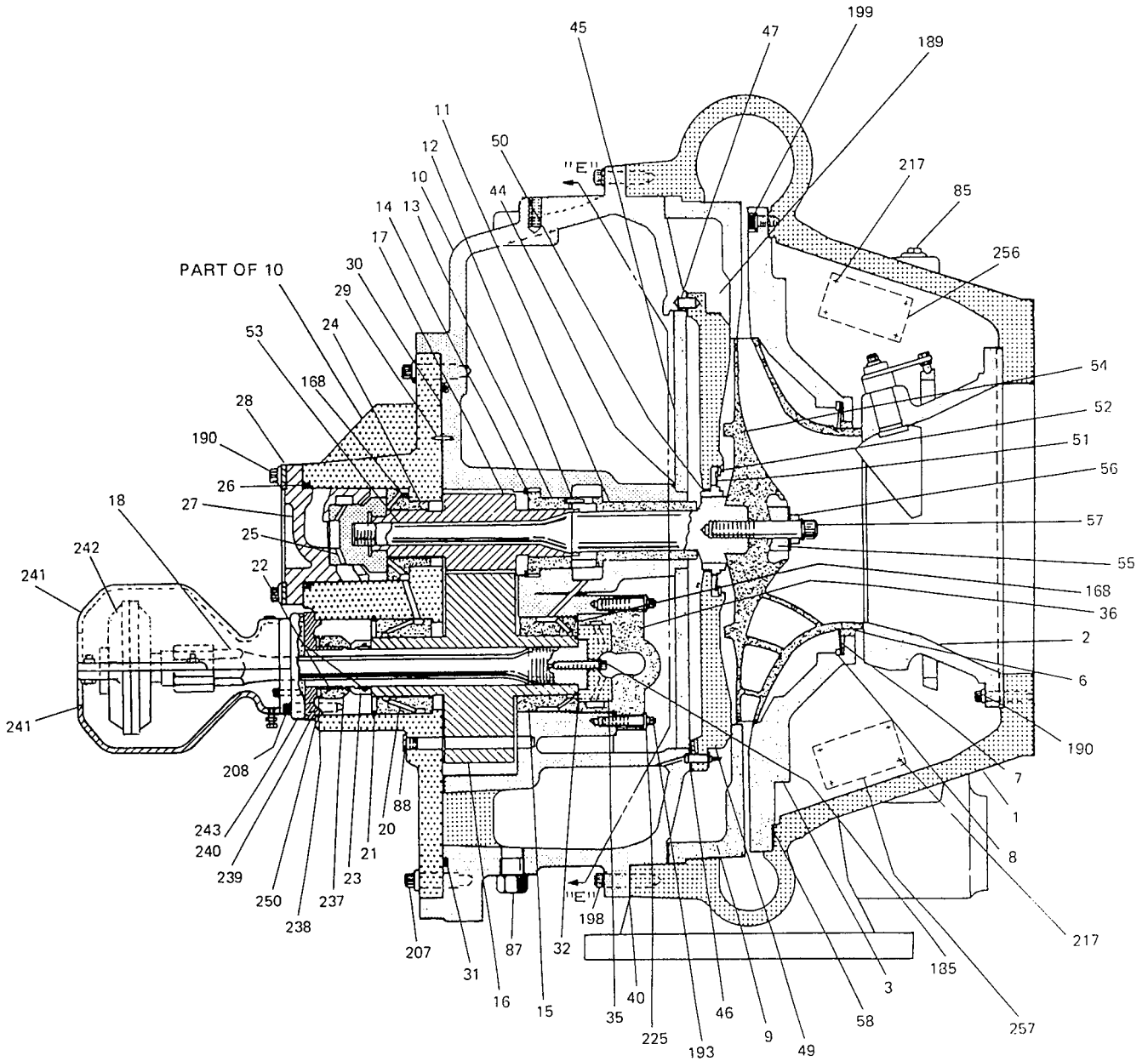


**FIG. 8— LINKAGE – EXTERNAL PRV – AIR OPERATED (PNEUMATIC)**

ITEM	PART DESCRIPTION	QUAN.	PART NO.
1	BRACKET, MOUNTING PRV MOTOR	1	364-16838
2	SCREW, CAP, 1/4-20UNC x 5/8	3	021-01372
3	SCREW, CAP, 5/16-18UNC x 3/4	4	021-11394
4	LEVER – PRV DEVICE	1	064-17898
5	SCREW, CAP, 1/4-20UNC x 1-1/2	1	021-02399
6	NUT – HEX, 1/4-20UNC	2	021-00450
7	PIN, INSERT	1	029-04842

# COMPRESSOR—MODELS LTD67 AND LTD76

CUTAWAY VIEW



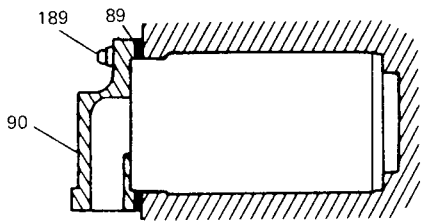
ITEM NO.	PART DESCRIPTION	60 CYCLE		50 CYCLE	
		SIZE	PART NO.	SIZE	PART NO.
241	COUPLING GUARD	1-1/4	364-33572	1-1/2 x 1-1/4	364-33577
242	COUPLING	1-1/4	364-06503	1-1/2 x 1-1/4	364-16913

FIG. 9 (CONT'D)—

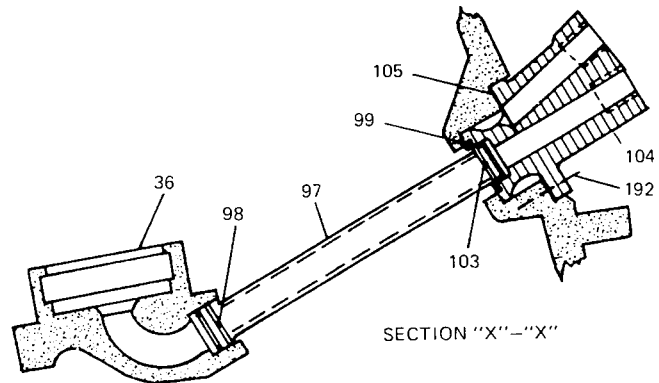
## COMPRESSORS—MODELS LTD67 AND LTD76

**TABLE 2— VARIABLE PARTS**

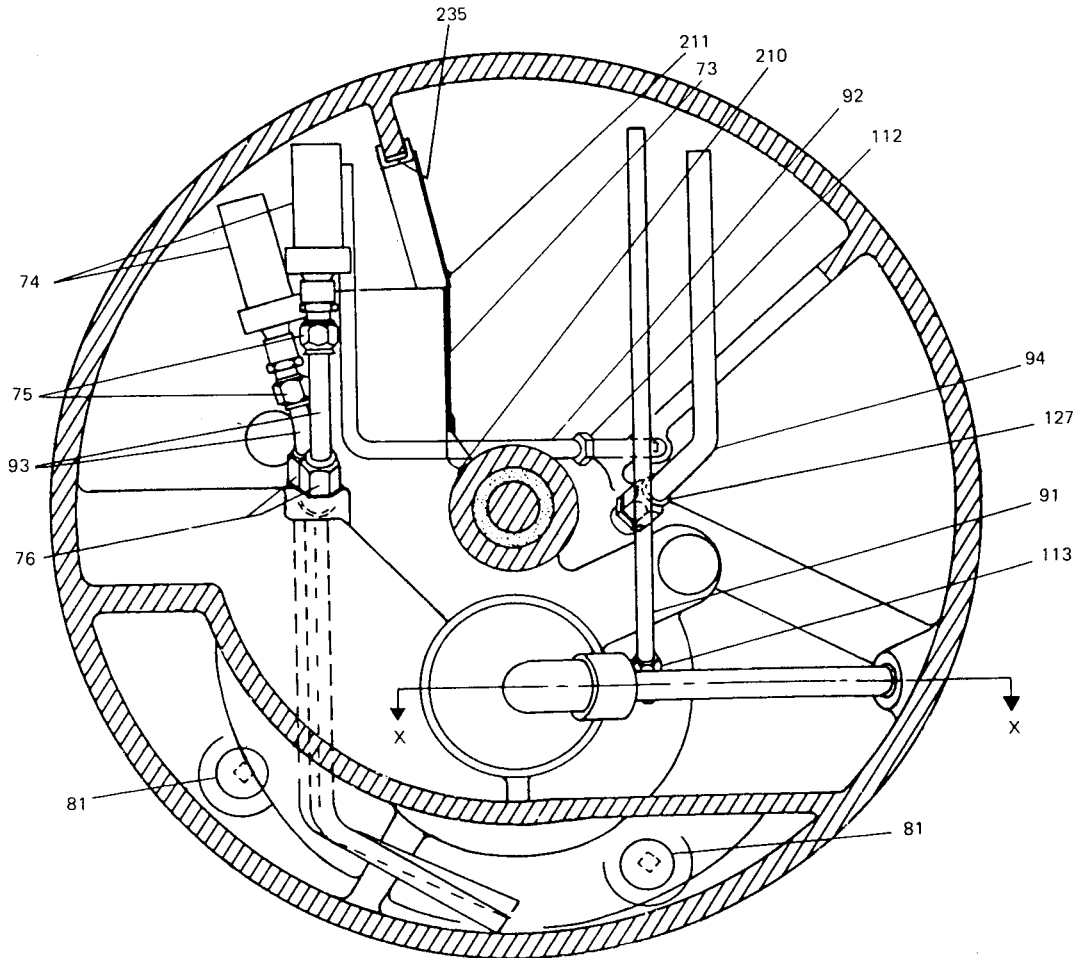
ITEM NO.	PART DESCRIPTION	60 AND 50 CYCLE			
		MODEL 67		MODEL 76	
		PART NO.	QUAN.	PART NO.	QUAN.
2	PREROTATION VANE ASSEMBLY	364-15250	1	364-15249	1
3	NOZZLE BASE PLATE	064-20409	1	064-20410	1
6	IMPELLER SEAL RING	064-20430	1	064-20431	1
7	FLAT SPRING WASHER	064-06242	1	064-05741	1
8	RETAINING RING, IMPELLER SEAL, INTERNAL	064-06243	1	064-05742	1
9	DEFUSER PLATE	064-11810	1	064-11638	1
54	IMPELLER	064-11297	1	064-11127	1



**FIG. 10— FILTER**



**SECTION "X"—"X"**



**FIG. 11— SECTION "E"—"E" — SHOWING OIL PUMP AND INTERNAL PARTS**

COMPRESSORS—MODELS LTD67 AND LTD76

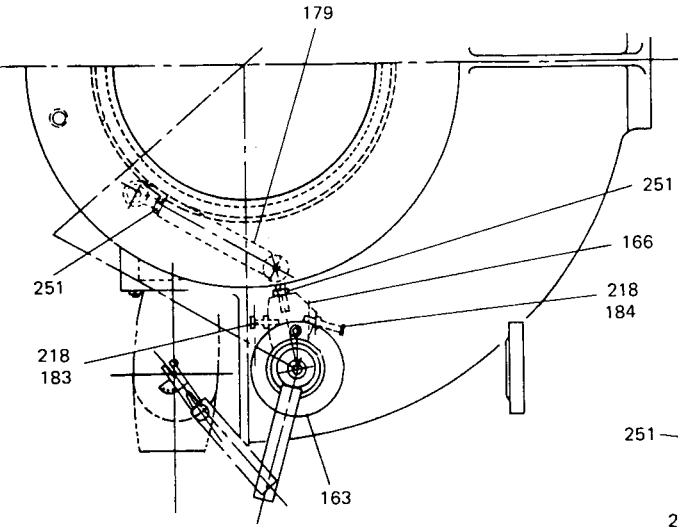


FIG. 12— PRV — LEVER ADJUSTMENT PARTS ELECTRICALLY OPERATED

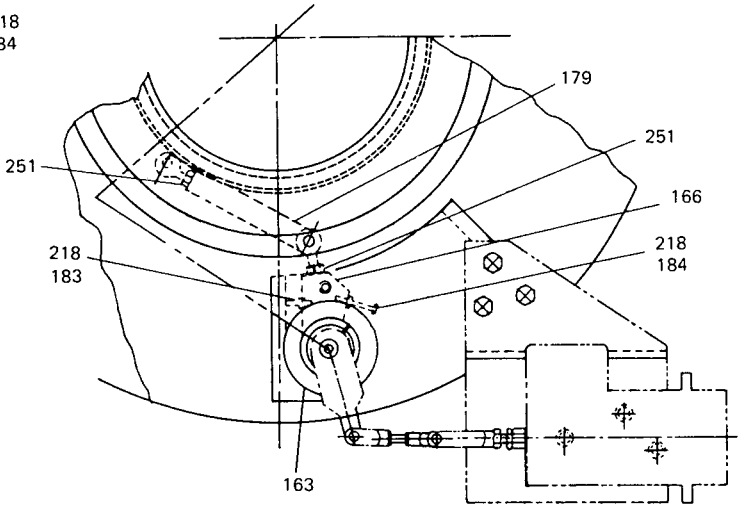


FIG. 13— PRV — LEVER ADJUSTMENT PARTS AIR OPERATED

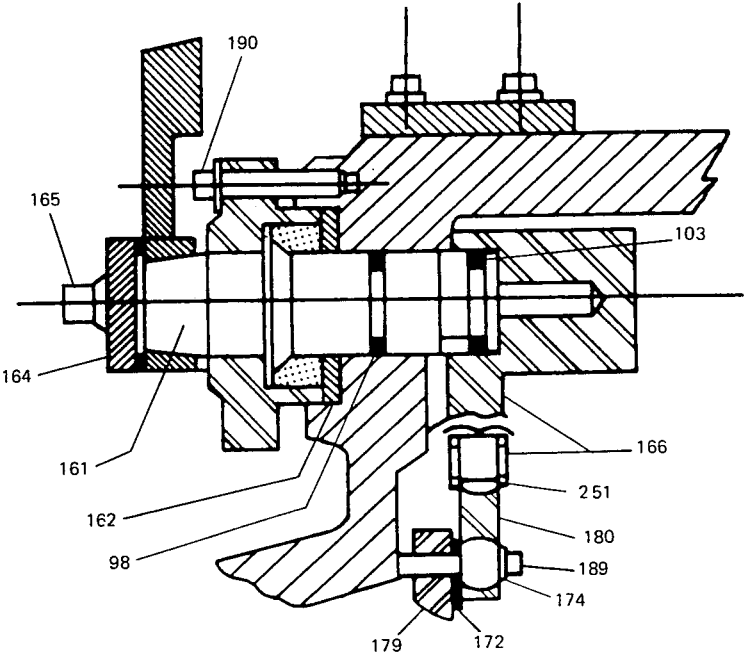
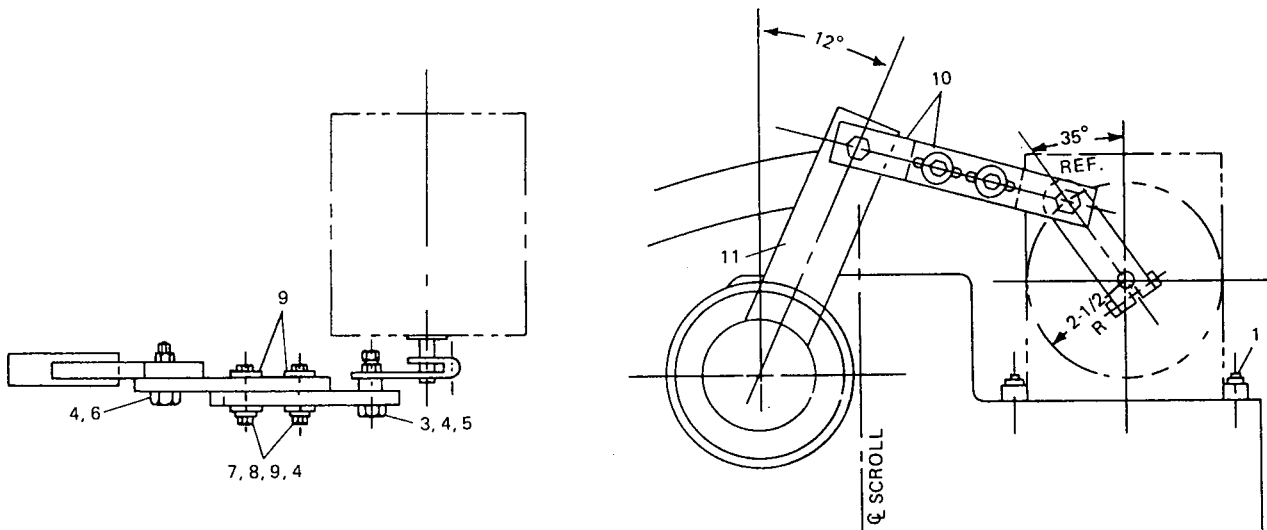


FIG. 14— PRV CONTROL SHAFT AND INTERNAL LINKAGE

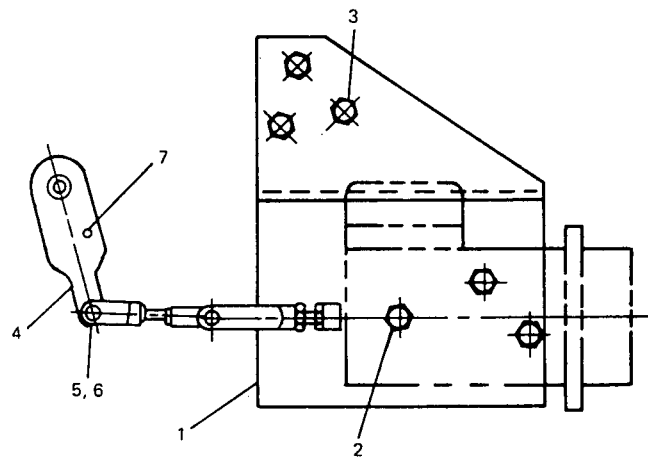
**MODELS LTD67 AND LTD76  
LINKAGE - EXTERNAL PRV  
ELECTRICALLY OPERATED**



**FIG. 16—LINKAGE EXTERNAL PRV — ELECTRICALLY OPERATED**

ITEM	PART DESCRIPTION	QUAN.	PART NO.
1	SCREW, CAP, 1/4-20UNC x 3/4 LG.	3	021-11741
2	ARM, CRANK PRV	1	025-17073
3	BOLT, SHLD. 1/4-20 x 1-5/8	1	064-28286
4	NUT, HEX. 1/4-20UNC-2B	6	021-00450
5	RING, STL. 5/8 O.D. x 17/64 I.D. x 1/2 LG.	1	064-28284
6	BOLT, SHLD. 1/4-20 x 1-3/8	1	064-28262
7	SCREW, CAP. 1/4-20UNC x 1 LG.	2	021-11914
8	LOCKWASHER 1/4	2	021-05267
9	WASHER 9/32 I.D.	4	021-05165
10	LINK, EXT. PRV & MOT.	2	064-28260
11	LEVER, PRV DEVICE	1	364-28236

**AIR OPERATED**

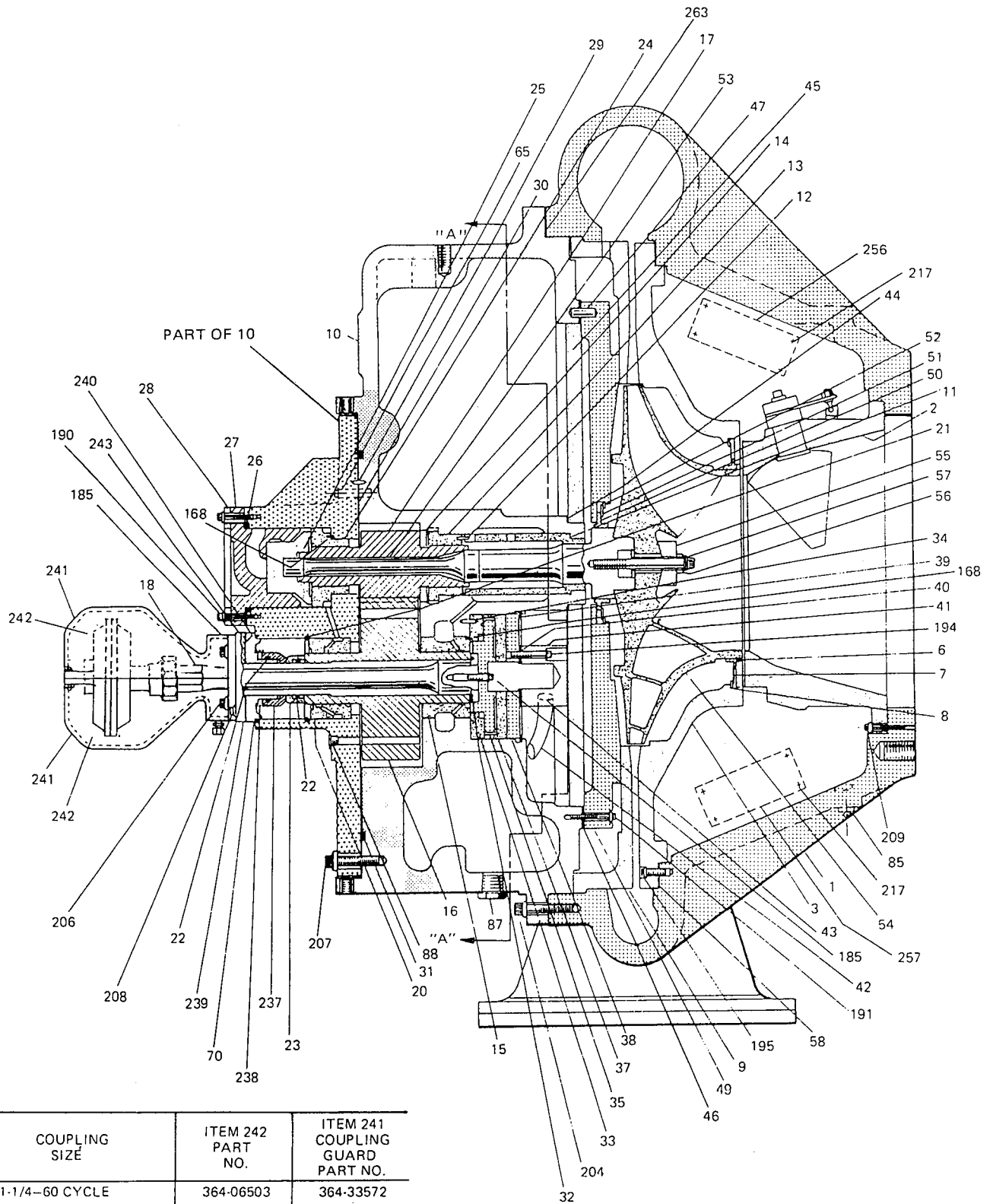


**FIG. 17 — LINKAGE EXTERNAL PRV — AIR OPERATED (PNEUMATIC)**

ITEM	PART DESCRIPTION	QUAN.	PART NO.
1	BRACKET, PRV MOTOR MOUNTING	1	064-20428
2	SCREW, CAP, HEX. HD. 1/4-20UNC x 5/8 LG.	3	021-01372
3	SCREW, CAP, HEX. HD. 1/2-13UNC x 7/8 LG.	3	021-02750
4	LEVER, PRV DEVICE	1	064-16836
5	SCREW, CAP, 1/4-20UNC x 1-1/2 LG.	1	021-02399
6	NUT, HEX. HD. 1/4-20UNC	2	021-00450
7	PIN, INSERT	1	029-05900

# COMPRESSOR—MODELS LTD85 AND LTD95

CUTAWAY VIEW



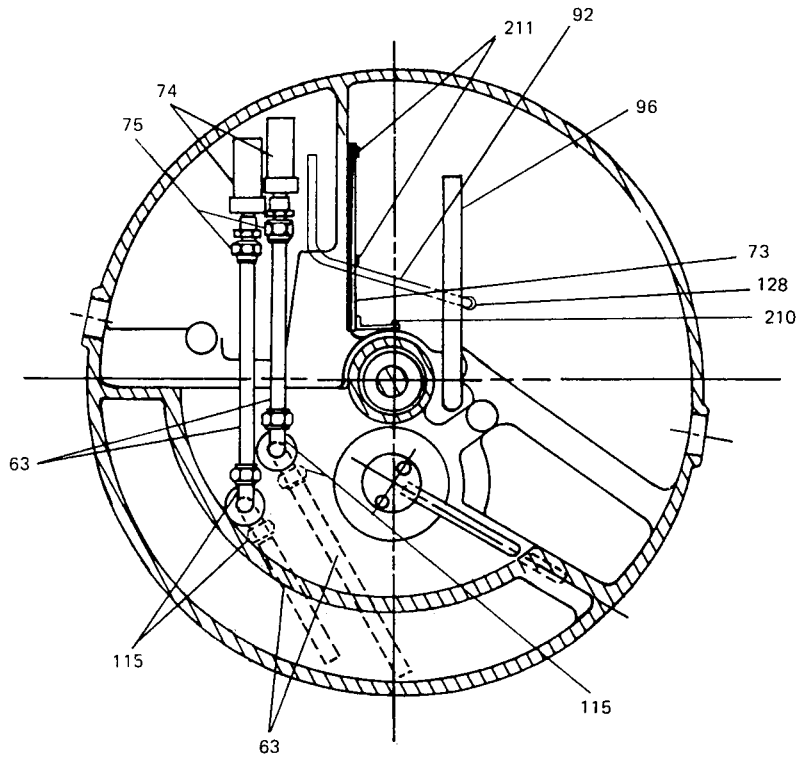
COUPLING SIZE	ITEM 242 PART NO.	ITEM 241 COUPLING GUARD PART NO.
1-1/4-60 CYCLE	364-06503	364-33572
1-1/2 x 1-1/4-50 CYCLE	364-16913	364-33577
1-1/2 x 1-1/4-50 CYCLE	364-24518	364-33573

FIG. 19

**COMPRESSORS—MODELS LTD85 AND LTD95**

**TABLE 3—VARIABLE PARTS**

ITEM NO.	PART DESCRIPTION	YORK FLEX, DISK COUPLING				YORK FLEX. COUPLING			
		(60 & 50 CYCLE)				(50 CYCLE)			
		MODEL LTD85		MODEL LTD95		MODEL LTD95		MODEL LTD85	
		PART NO.	QUAN.	PART NO.	QUAN.	PART NO.	QUAN.	PART NO.	QUAN.
2	PREROTATION VANE ASSEMBLY	364-15255	1	364-15266	1	364-15266	1	364-15255	1
3	NOZZLE BASE PLATE	064-21643	1	064-21644	1	064-21644	1	064-21643	1
6	IMPELLER SEAL RING	064-21418	1	064-21417	1	064-21417	1	064-21418	1
7	FLAT SPRING WASHER	064-05683	1	064-05656	1	064-05656	1	064-05683	1
8	RETAINING RING - IMPELLER RING SEAL	064-05680	1	064-05588	1	064-05588	1	064-05680	1
9	DIFFUSER PLATE	064-12139	1	064-12103	1	064-12103	1	064-12139	1
18	DRIVE SHAFT	064-14971	1	064-14971	1	064-24520	1	064-24520	1
25	THRUST COLLAR	064-21475	1	064-27569	1	064-27569	1	064-27569	1
53	MAIN SHAFT	064-21479	1	064-27568	1	064-27568	1	064-27568	1
54	IMPELLER	064-11968	1	064-11969	1	064-11969	1	064-11968	1



**FIG. 20** — SECTION "A"—"A", SHOWING OIL PUMP AND INTERNAL PARTS

COMPRESSORS—MODELS LTD85 AND LTD95

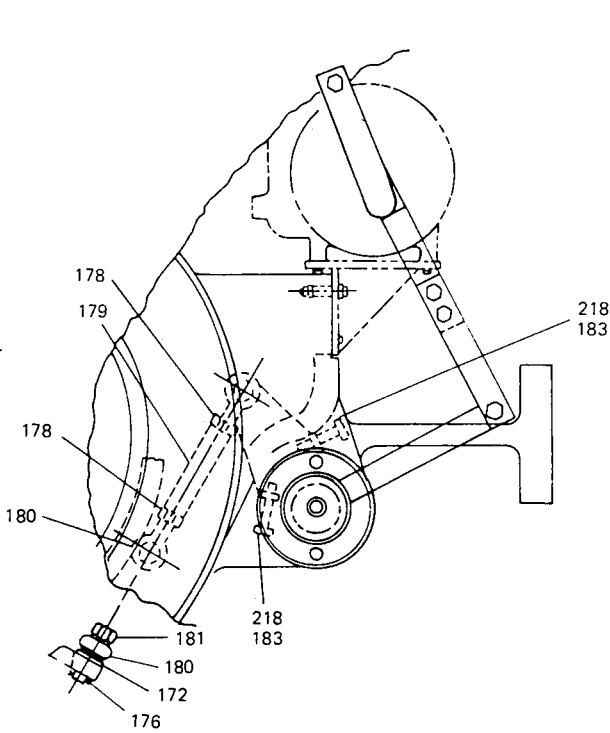


FIG. 21— PRV – LEVER ADJUSTMENT PARTS ELECTRICALLY OPERATED

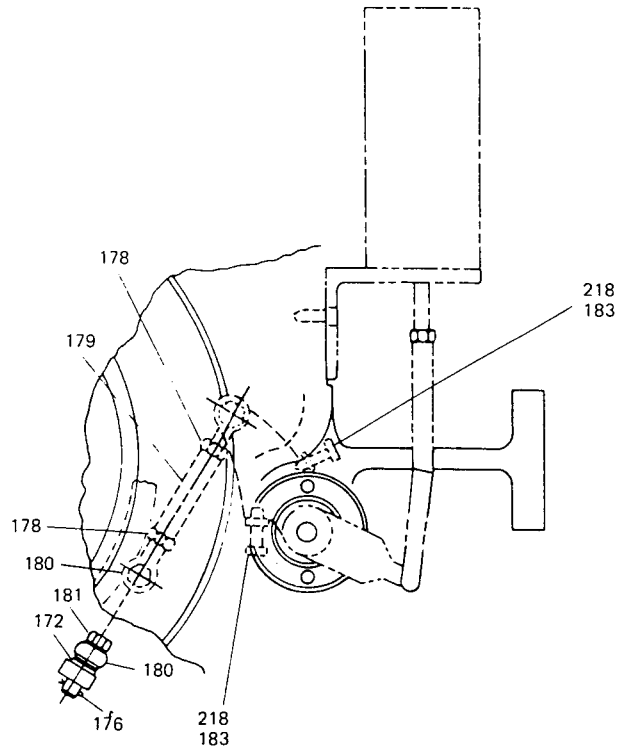


FIG. 22— PRV – LEVER ADJUSTMENT PARTS AIR OPERATED

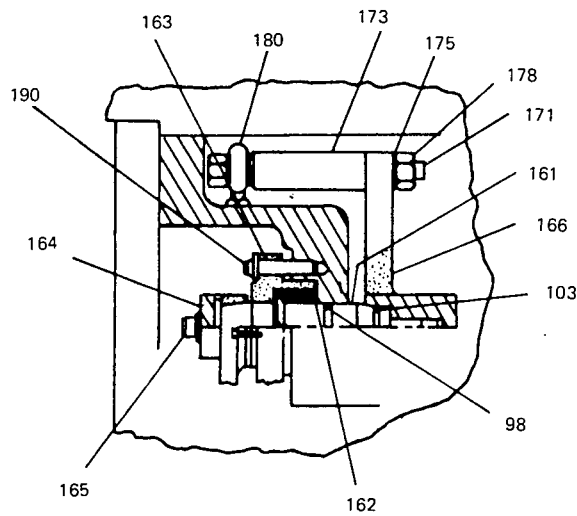


FIG. 23— PRV – CONTROL SHAFT AND INTERNAL LINKAGE

MODELS LTD85 AND LTD95  
LINKAGE - EXTERNAL PRV  
ELECTRICALLY OPERATED

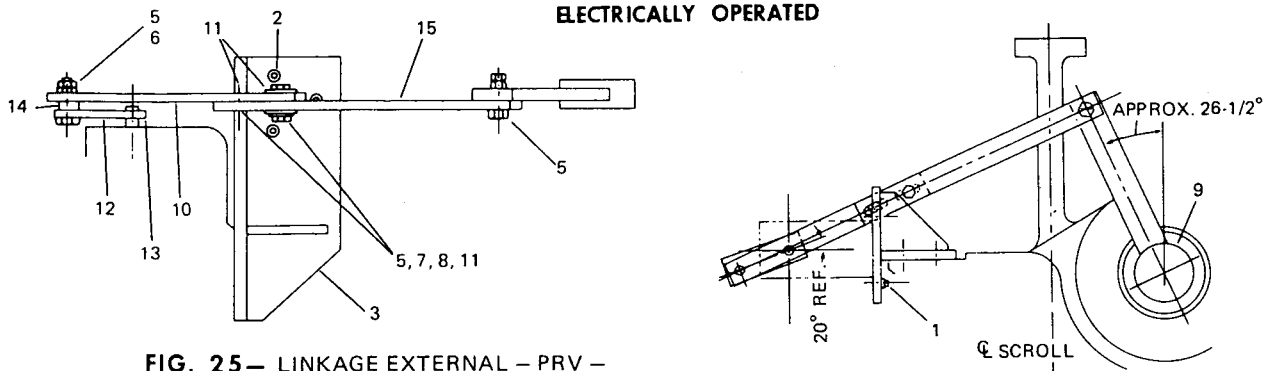


FIG. 25— LINKAGE EXTERNAL – PRV – ELECTRICALLY OPERATED

ITEM	PART DESCRIPTION	QUAN.	PART NO.
1	SCREW, CAP. 1/4-20UNC x 3/4 LG.	3	021-11741
2	SCREW, CAP. 3/8-16UNC x 1 LG.	3	021-11149
3	BRACKET, MOTOR MOUNTING	1	364-32605
4	BOLT, SHLD. 1/4-20 x 1-3/8	1	064-28262
5	NUT, HEX. 1/4-20UNC-2B	6	021-00450
6	BOLT, SHLD. 1/4-20 x 1-5/8	1	064-33744
7	LOCKWASHER 1/4	2	021-05267
8	SCREW, CAP. 1/4-20UNC x 1 LG.	2	021-11914
9	LEVER, PRV DEVICE	1	364-28236
10	LINK, EXT. PRV & MOT	1	064-32604
11	WASHER 9/32 ID	4	021-05165
12	ARM, PRV MOTOR	1	064-33690
13	SCREW, SET HEX SOC # 10-24UNC x 3/8	1	021-03910
14	RING, FILL	1	064-29258
15	LINK, EXT. PRV & MOT.	1	064-32609

AIR OPERATED

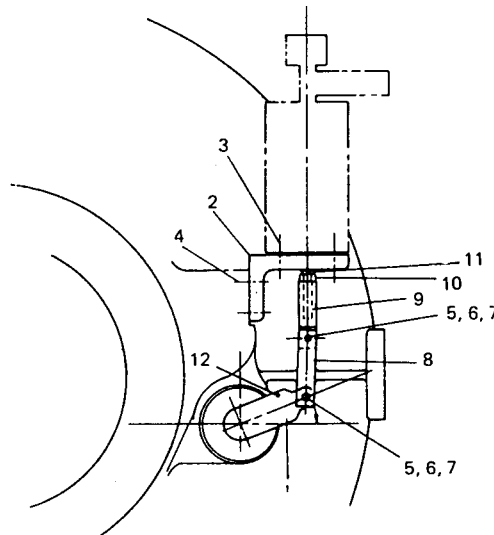
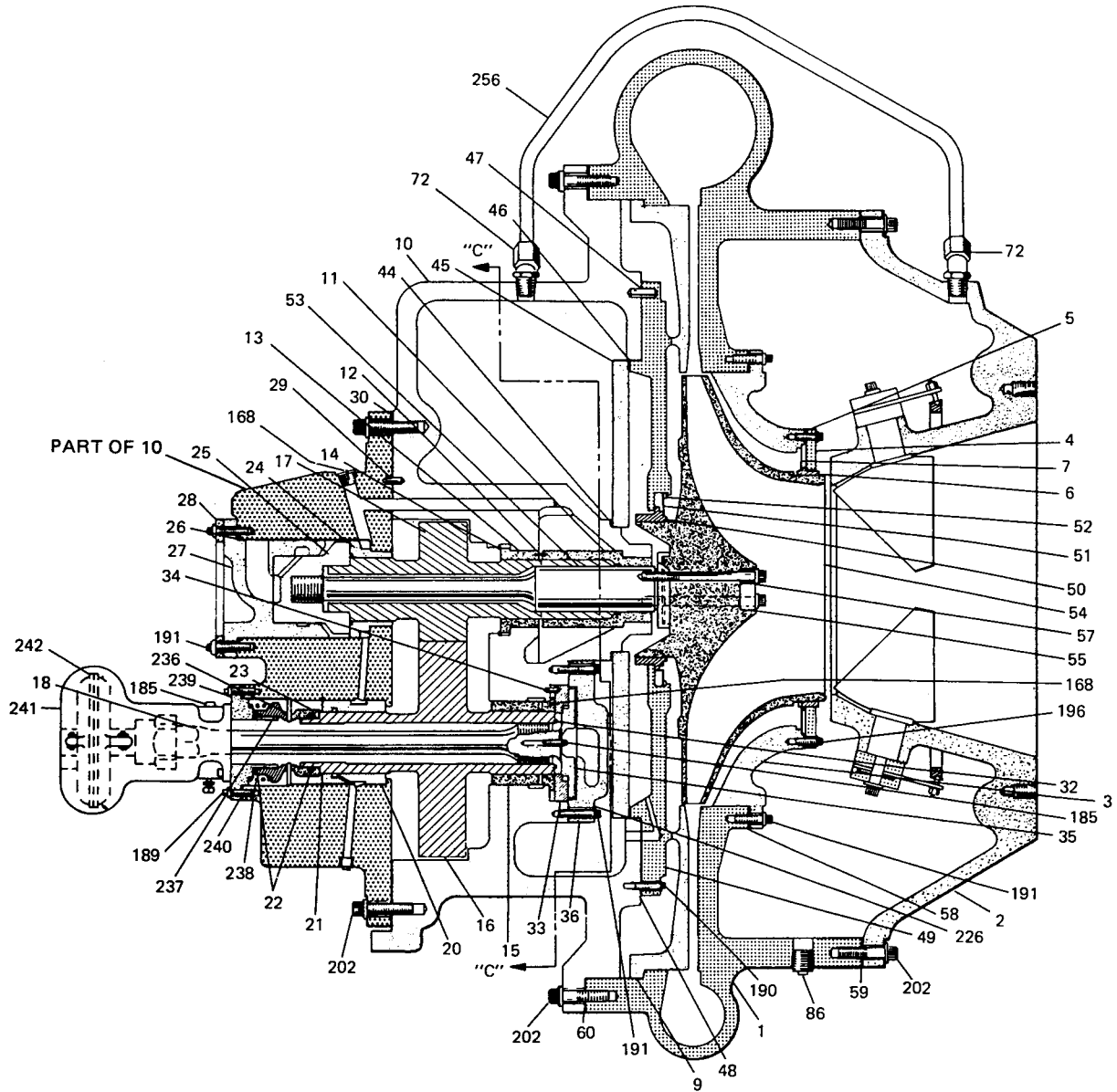


FIG. 26— LINKAGE EXTERNAL – PRV – AIR OPERATED

ITEM	PART DESCRIPTION	QUAN.	PART NO.
1	LEVER, PRV DEVICE	1	064-28622
2	BRACKET	1	064-28621
3	SCREW, CAP. 12 PT 3/8 x 1-1/8	4	021-11148
4	SCREW, CAP. 12 PT 3/8 x 1	3	021-11141
5	PIN, LINKAGE	2	064-07127
6	WASHER, PLAIN 13/32 I.D.	4	021-01274
7	PIN, COTTER	4	021-01083
8	LINK, EXT.	2	064-15692
9	CLEVIS, CONOMOTOR	1	064-07125
10	NUT, HEX. HEAVY 5/8	1	021-07787
11	WASHER, PLAIN 21/32 I.D.	7	021-01239
12	PIN, INSERT	1	029-05900

COMPRESSOR— MODELS LTD108, LTD120, AND LTD126

CUTAWAY VIEW



ITEM NO.	PART DESCRIPTION	60 CYCLE		50 CYCLE	
		SIZE	PART NO.	SIZE	PART NO.
241	COUPLING GUARD	1-1/2	364-22205	1-7/8 x 1-1/2	364-21794
242	COUPLING GUARD	1-1/2	364-33574	1-7/8 x 1-1/2	364-33578

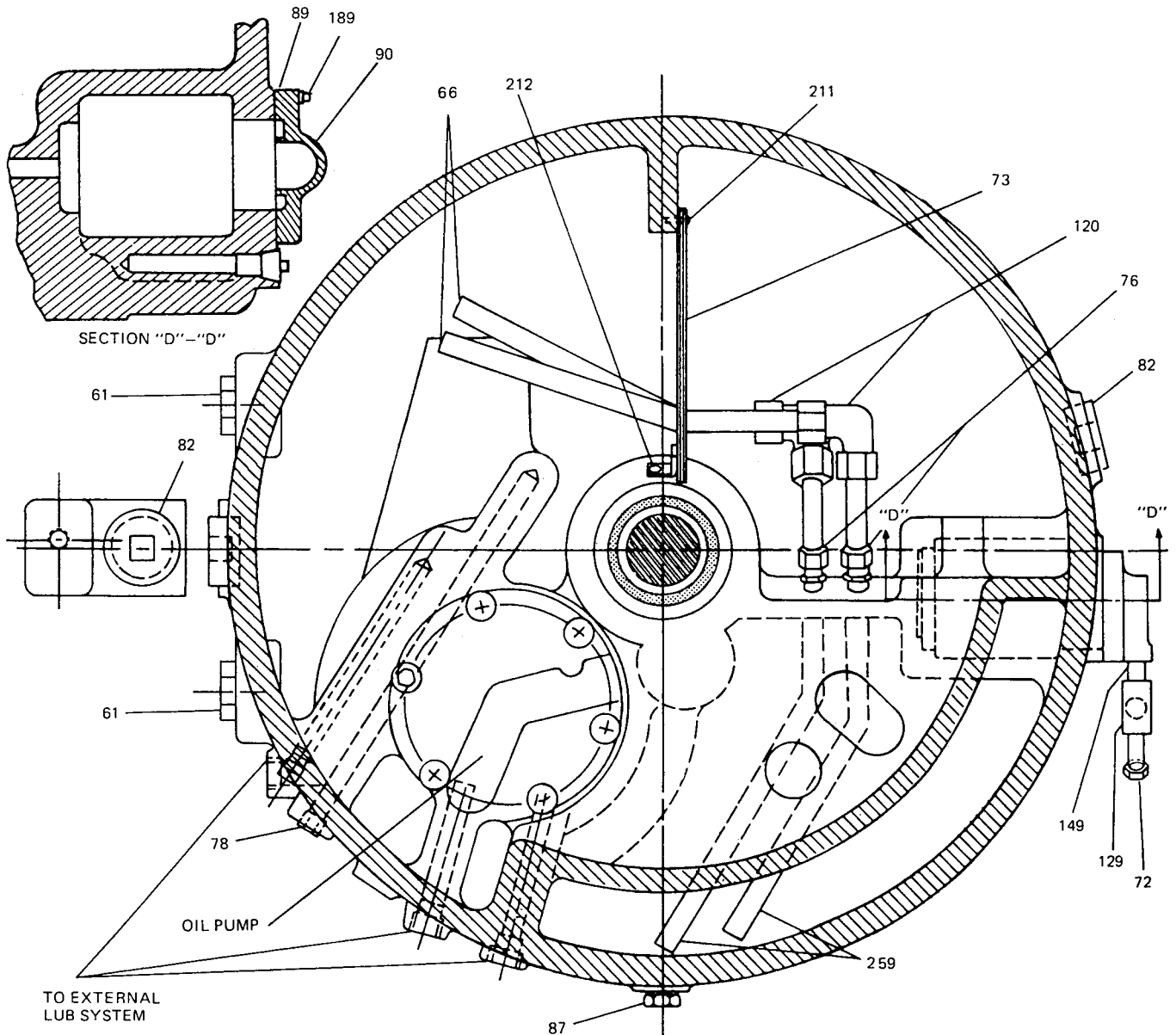
FIG. 28

## COMPRESSOR — LTD108, LTD120, AND LTD126

**TABLE 4— VARIABLE PARTS**

ITEM NO.	PART DESCRIPTION	60 & 50 CYCLE					
		LTD108		LTD120		LTD126	
		PART NO.	QUAN.	PART NO.	QUAN.	PART NO.	QUAN.
1	ROTOR SCROLL	064-22908	1	064-22907	1	064-27577	1
2	PREROTATION VANE ASSEMBLY	364-33707	1	364-33708	1	364-33709	1
3	NOZZLE PLATE BASE	064-22786	1	064-22787	1	064-27580	1
4	RETAINER, NOZZLE BASE PLATE	064-22974	1	064-22963	1	064-27582	1
5	GASKET RETAINER TO NOZZLE BASE PLATE	*064-23002	1	*064-23010	1	*064-23010	1
6	IMPELLER SEAL RING	064-22714	1	064-22715	1	064-27583	1
7	FLAT SPRING WASHER	064-22690	1	064-22661	1	064-27578	1
9	DIFFUSER PLATE	064-22327	1	064-22332	1	064-27576	1
49	OIL SEPARATOR PLATE	064-22869	1	064-22950	1	064-22950	1
50	RING SEAL IMPELLER	064-12378-005	1	064-12378-006	1	064-12378-006	1
51	FLAT SPRING WASHER	064-12438-009	1	064-12438-008	1	064-12438-008	1
52	RETAINING RING, INTERNAL	064-22709	1	064-22711	1	064-22711	1
54	IMPELLER	064-22910	1	064-22909	1	064-27584	1
58	BASE PLATE NOZZLE GASKET	*064-22983	1	*064-23009	1	064-27581	1

\*PARTS INCLUDED IN FIELD REPLACEMENT KIT — MODELS LTD108, LTD120 & LTD126 — PART NO. 464-29630



**FIG. 29— SECTION "C"—"C" — SHOWING INTERNAL PARTS**

COMPRESSOR — MODELS LTD108, LTD120, AND LTD126

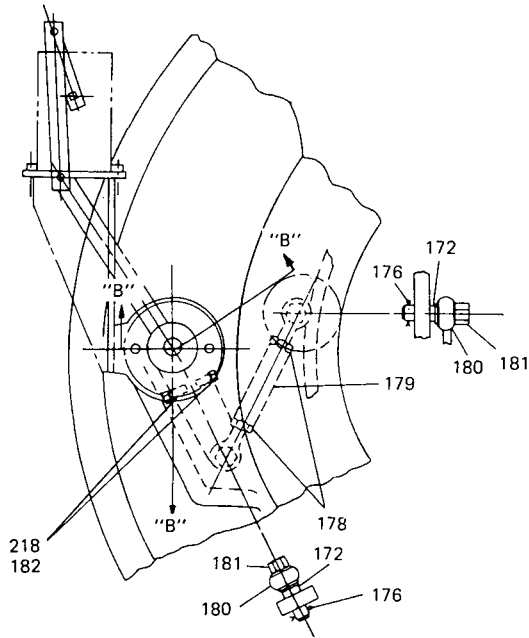


FIG. 30— PRV — LEVER ADJUSTMENT PARTS AND LINKAGE (ELECTRICALLY OPERATED)

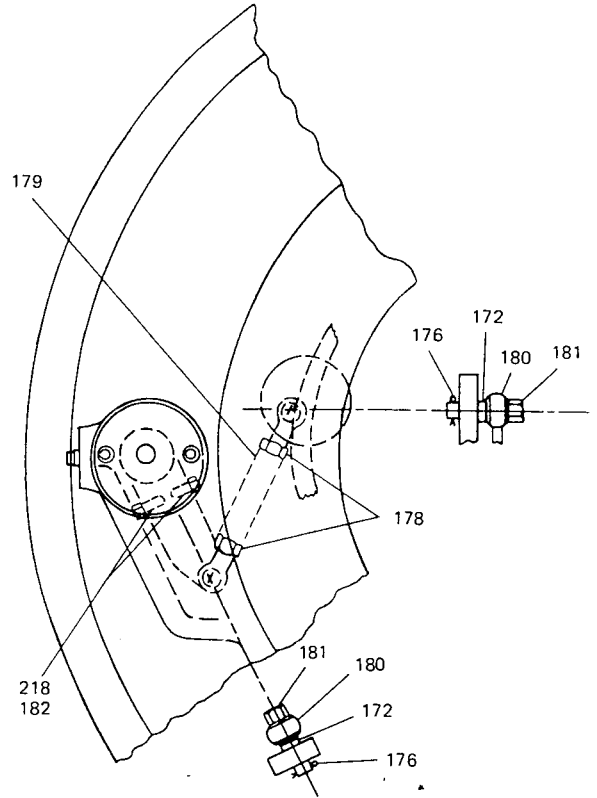


FIG. 31— PRV — LEVER ADJUSTMENT PARTY AND LINKAGE (AIR OPERATED)

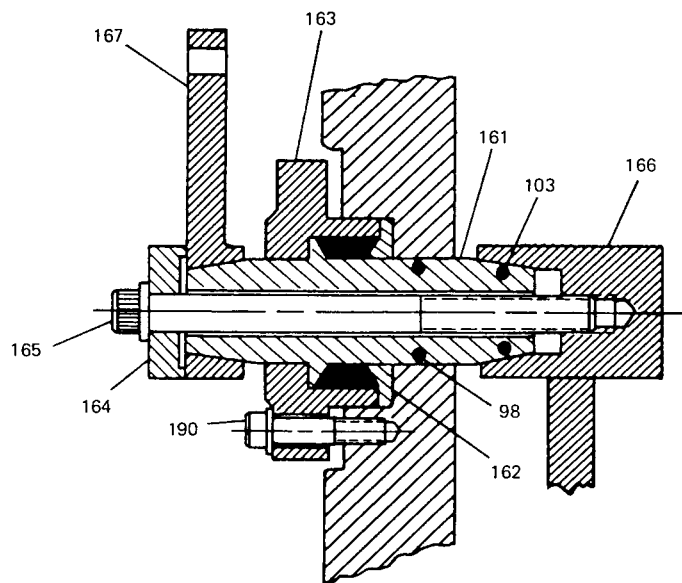


FIG. 32— SECTION "B"—"B" — PRV — SHOWING LEVER AND SHAFT ARRANGEMENT

COMPRESSOR — MODELS LTD108, LTD120, AND LTD126  
LINKAGE - EXTERNAL PRV  
ELECTRICALLY OPERATED

FORM 160.58-RP1 (SECT. 2)

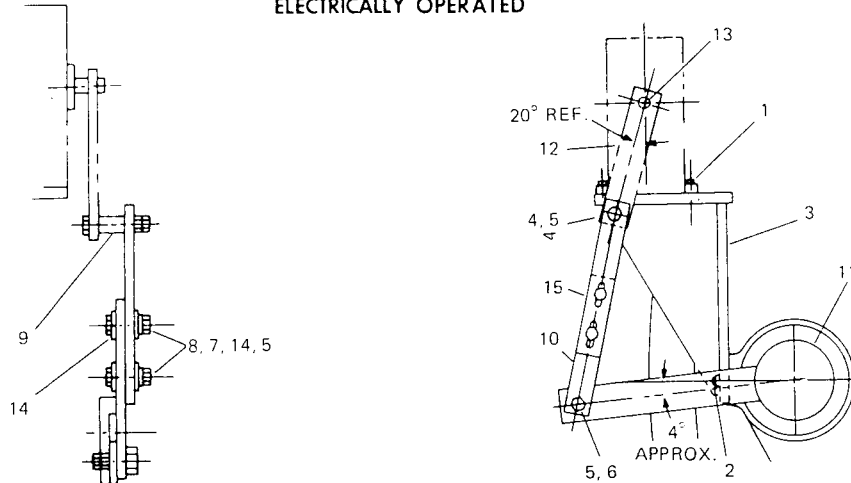


FIG. 34— LINKAGE EXTERNAL — PRV — ELECTRICALLY OPERATED

ITEM	PART DESCRIPTION	QUAN.	PART NO.
1	SCREW, CAP. 1/4--20UNC x 3/4 LG.	3	021-11741
2	SCREW, CAP. 3/4--16UNC x 7/8 LG.	2	021-11139
3	BRACKET, MOTOR MOUNTING	1	364-32574
4	BOLT, SHLD. 1/4--20 x 1-7/8 LG.	1	064-33745
5	NUT, HEX 1/4--20UNC--2B	6	021-00450
6	BOLT, SHLD. 1/4--20 x 1-3/8	1	064-28262
7	LOCKWASHER 1/4	2	021-05267
8	SCREW, CAP. 1/4--20UNC x 1 LG.	2	021-11914
9	RING, 5/8 OD x 17/64 ID x 1/2	1	064-28284
10	LINK, EXT. PRV & MOT.	1	064-28261
11	LEVER, PRV DEVICE	1	364-28252
12	ARM, MOTOR PRV	1	064-33689
13	SCREW, SET HEX. SEC. = 10--24UNC x 3/8	1	021-03910
14	WASHER 3/32 I.D.	4	021-05165
15	LINK, EXT. PRV & MOT.	1	064-32570

AIR OPERATED

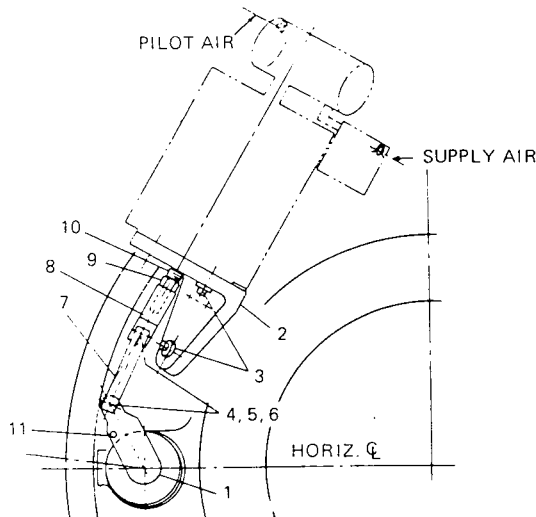


FIG. 35— LINKAGE EXTERNAL — PRV — AIR OPERATED (PNEUMATIC)

ITEM	PART DESCRIPTION	QUAN.	PART NO.
1	LEVER, PRV DEVICE	1	064-28626
2	BRACKET	1	064-28625
3	SCREW, CAP. 12 PT. 1/2 x 1-1/2	7	021-11933
4	PIN, LINKAGE	2	064-07127
5	WASHER, PLAIN 13/32	4	021-01274
6	PIN, COTTER	4	021-01083
7	LINKAGE	2	064-29618
8	CLEVIS, CONOMOTOR	1	064-29619
9	NUT, HEX JAM 3/4 UNF	1	021-00591
10	WASHER, PLAIN 13/16	6	021-05157
11	PIN INSERT 3/32 x 1-1/8	1	029-05900