

**YORK**  
INTERNATIONAL

BS5750 PART 1



CERT NO FM 970  
OAS NO 3284/96

**TURBOPAK**  
CENTRIFUGAL LIQUID CHILLING UNITS

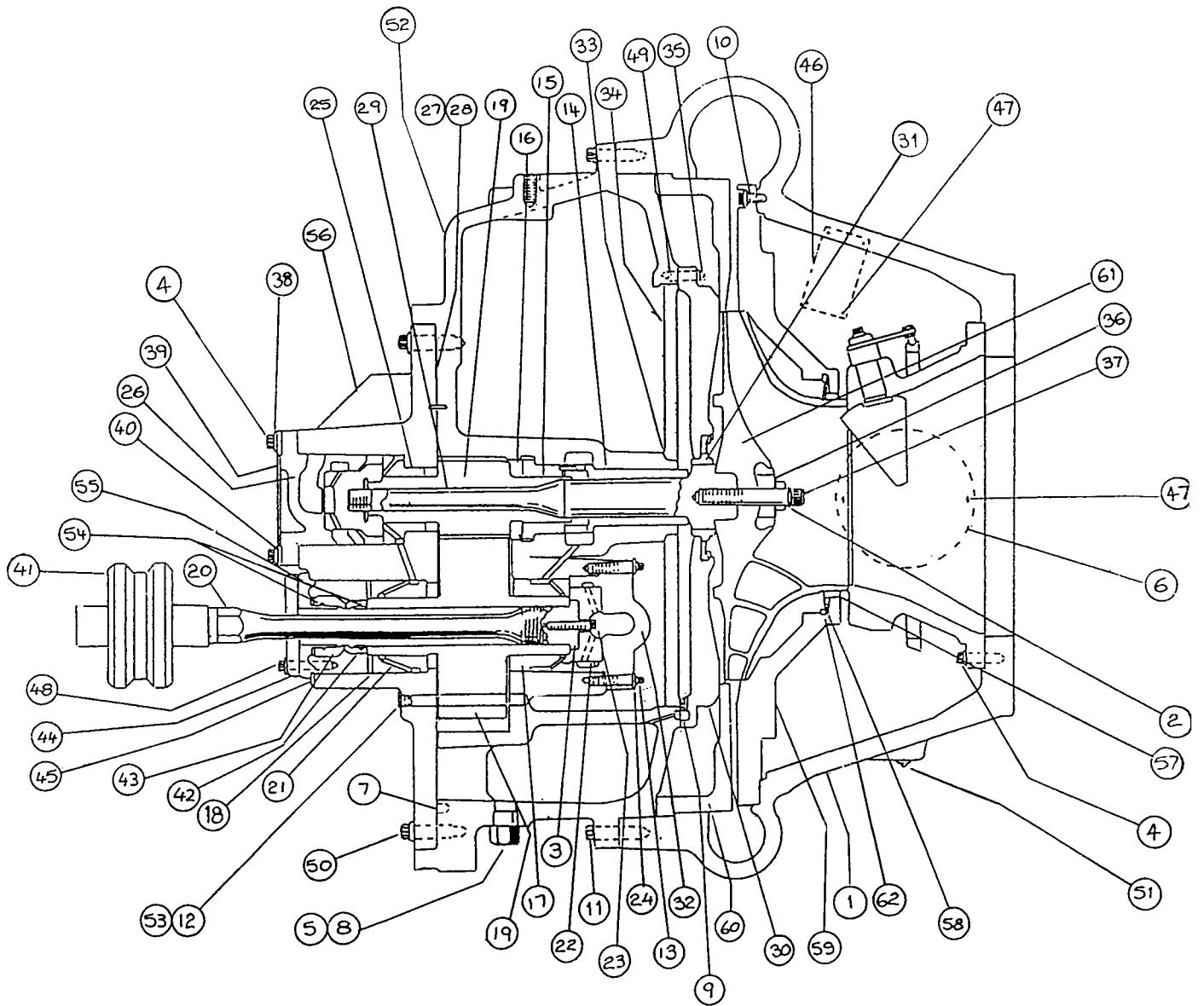
RENEWAL PARTS

SHELL	ELIMINATOR		KNITMESH REQ'D
	PART NUMBER	SIZE	008L00016
A	367-93538	11" 12 ft long	60 ft
B, C, D	367-74207	11" 14 ft long	70 ft
E, F	367-75221	11 $\frac{3}{4}$ "	70 ft
G	367-74208	14 $\frac{1}{2}$ "	84 ft
H	367-90085	28"	148 ft
J	367-90086	29 $\frac{1}{4}$ "	160 ft
K	367-90087	30 $\frac{5}{8}$ "	160 ft

**PART NUMBER CROSS REFERENCE TO NEW STYLE TURBOPAK LOADMINDER**

OLD PART NUMBER	NEW PART NUMBER	VALVE SIZE	VOLTAGE
366-79157 002 366-79158 002	366L03900 002 366L03901 002	1½" 2"	115.1.50
366-79157 003 366-79158 003	366L03900 003 366L03901 003	1½" 2"	115.1.60
366-79157 004 366-79158 004	366L03900 004 366L03901 004	1½" 2"	230.1.50
366-79159 002 366-79160 002	366L03902 002 366L03903 002	2½" 3"	115.1.50
366-79159 003 366-79160 003	366L03902 003 366L03903 003	2½" 3"	115.1.60
366-79159 004 366-79160 004	366L03902 004 366L03903 004	2½" 3"	230.1.50

# SINGLE STAGE CENTRIFUGAL OPEN COMPRESSOR MODELS LTA 67 & 76



**SINGLE STAGE CENTRIFUGAL OPEN COMPRESSOR MODELS LTA 67 & 76**

ITEM No.	DESCRIPTION	QTY	PART NUMBER
1	Scroll, Rotor	1	064-11633
2	Washer, Special	1	064-16500
3	Ring, "O" 2" × 1 $\frac{3}{8}$ " × $\frac{3}{32}$ "	1	028-04477
4	Screw, Cap $\frac{3}{8}$ " - 16 UNC × 1 $\frac{1}{2}$ " long	11	021-02451
5	Plug, Special 1 $\frac{1}{16}$ " UNF	1	023-7063
6	Nameplate, Publicity 4"	1	029-00309
7	Ring, "O" 20" o.d. × 19 $\frac{1}{2}$ " i.d. × $\frac{1}{4}$ " thick	1	028-05401
8	Ring, "O" 1 $\frac{1}{8}$ " o.d. × $\frac{15}{16}$ " × $\frac{3}{32}$ " thick	1	028-05403
9	Gasket, Oil Separator	1	064-11803
10	Screw, Cap $\frac{3}{8}$ " - 24 UNF × $\frac{7}{8}$ " long	6	021-11498
11	Screw, Cap $\frac{5}{8}$ " - 11 UNC × 1 $\frac{1}{2}$ " long	32	021-11159
12	Plug, Special $\frac{9}{16}$ " - 18 UNF	1	023-07158
13	Screw, Cap $\frac{3}{8}$ " - 16 UNC × 2" long	6	021-11917
14	Bearing, Main Shaft	1	064-11642
15	Bearing, Pinion Gear	1	064-11643
16	Ring, Internal Retaining	1	029-08496
17	Bearing, Gear Front	1	064-13845
18	Ring, Internal Retaining	1	029-06722
19	Gears (Refer to Head Office with Original Order Number and Serial Number before Ordering)		
20	Shaft, Drive	1	064-14971
21	Bearing, Gear Rear	1	064-11665
22	Pump, Oil, L.S.	1	064-13841
23	Screw, Cap $\frac{5}{16}$ " - 24 UNF × 1 $\frac{3}{4}$ " LH	1	021-11532
24	Washer, Flat $\frac{3}{4}$ " × $\frac{3}{8}$ " × $\frac{1}{16}$ "	6	064-11649
25	Bearing, Thrust	1	064-11644
26	Collar, Thrust	1	064-11654
27	Gasket, Bearing Housing	1	064-11802
28	Pin, Insert $\frac{3}{16}$ " × $\frac{1}{2}$ " long	2	029-04138
29	Shaft, Main	1	064-11655
30	Plate, Oil Separator	1	064-13679
31	Ring, Seal	1	064-13683
32	Housing, Oil Pump	1	064-13842
33	Gasket, Inner Spring Seal $\frac{1}{32}$ " thick	1	064-11806
34	Ring, Inner Spring Seal	1	064-11656
35	Screw, Cap $\frac{3}{8}$ " - 16 UNC × 1 $\frac{1}{4}$ " long	21	021-01486
36	Collar, Impeller Clamping	1	064-11659
37	Screw, Cap $\frac{5}{8}$ " - 18 UNF × 3 $\frac{3}{4}$ " long	1	021-12151
38	Ring, "O" 4 $\frac{1}{8}$ " × 3 $\frac{7}{8}$ " × $\frac{1}{8}$ "	1	028-04352
39	Cover, Oil Pump	1	064-11660
40	Plate, Pressure	1	064-11819
41	Coupling, York Flex	1	364-06503
42	Collar, Shaft Seal	1	064-12318 007
43	Ring, Shaft Seal to be Renewed together with Item 55	1	064-15385 008
44	Cover, Seal	1	064-22929

**SINGLE STAGE CENTRIFUGAL OPEN COMPRESSOR MODELS LTA 67 & 76**

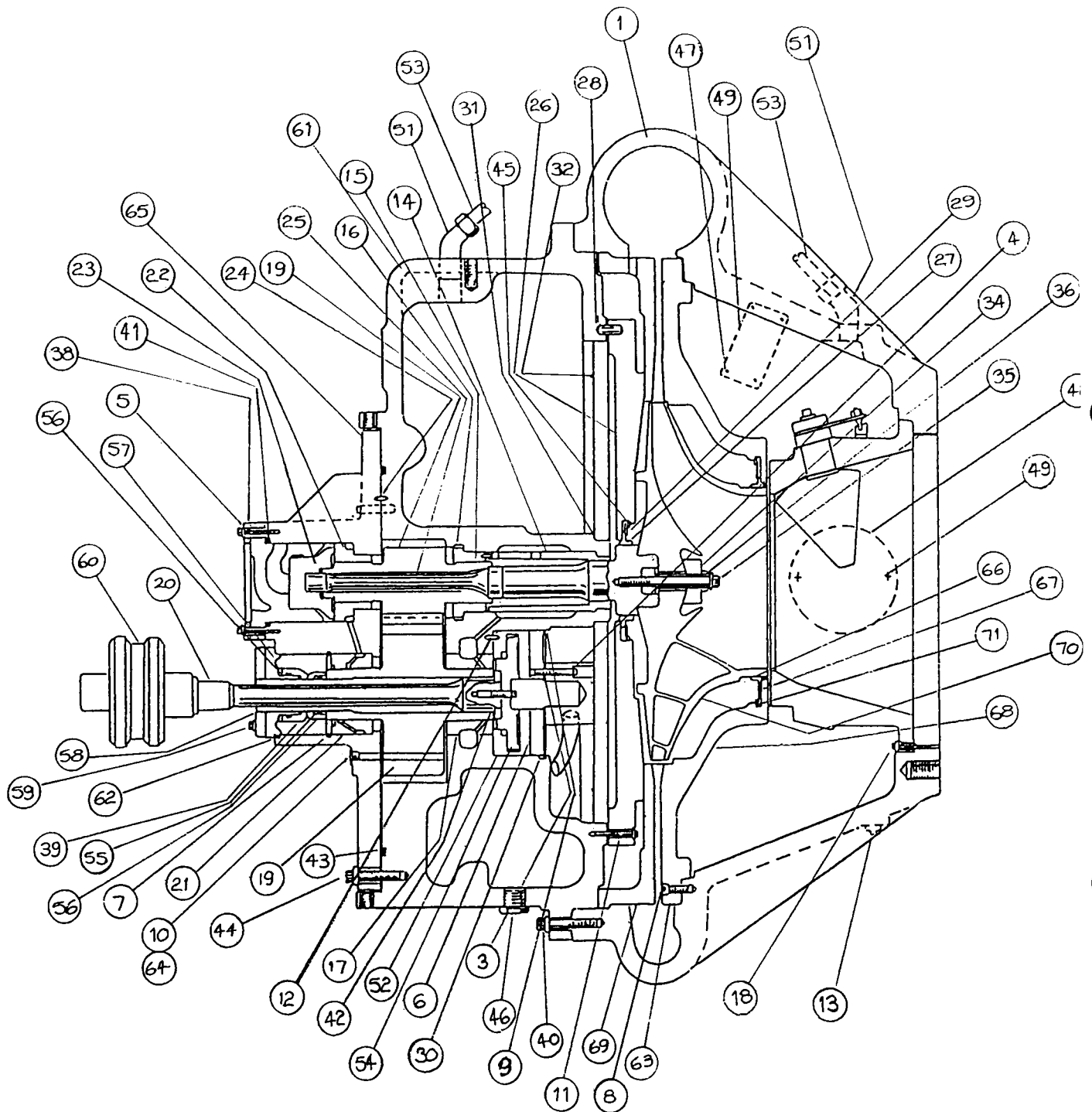
ITEM No.	DESCRIPTION	QTY	PART NUMBER
45	Ring, "O" 4 $\frac{1}{4}$ " o.d. x 4" i.d. x $\frac{1}{8}$ "	2	028-04349
46	Nameplate, Data, Compressor	1	S612/557
47	Screw, Cap $\frac{3}{8}$ " - 16 UNC x $\frac{7}{8}$ " long	8	021-03720
48	Screw, Cap $\frac{3}{8}$ " - 16 UNC x $\frac{7}{8}$ " long	8	021-11139
49	Pin, Insert $\frac{1}{2}$ " x $1\frac{1}{8}$ " long	1	029-06855
50	Screw, Cap $\frac{3}{4}$ " - 10 UNC x 2" long	16	021-11736
51	Plug, Pipe $\frac{3}{4}$ "	2	023-04053
52	Support, Rotor	1	064-16372
53	Ring, "O" $\frac{5}{8}$ " o.d. x $\frac{7}{16}$ " x $\frac{3}{32}$ "	1	With Item 12
54	Ring, "O" Packing 2" x $1\frac{3}{4}$ " x $\frac{1}{8}$ "	2	028-04348
55	Spring, Helical LH to be renewed together with Item 43	1	029-11568 001
56	Housing, Bearing	1	064-11641

**VARIABLE COMPONENTS**

ITEM No.	DESCRIPTION	QTY	PART NUMBERS	
			LTA 67	LTA 76
57	Ring, Seal Impeller	1	064-06244	064-05740
58	Washer, Flat Spring	1	064-06242	064-05741
59	Plate, Nozzle Base	1	064-13483	064-13484
60	Plate, Diffuser	1	064-11810	064-11638
61	Impeller	1	064-11297	064-11127
62	Ring, Retaining Oil Seal	1	064-06243	064-05742
	Ring, High Pressure Seal	1	064-13683	064-13683
	Ring, "O" Control Shaft	{ 1	028-04522	028-04522
		1	028-04353	028-04353

Shaft Seal Replacement Kit (comprising items No. 42, 43, 44, 45, 54 and 55) BM 2570. Field Replacement Gaskets Kit BM 3351.

# SINGLE STAGE CENTRIFUGAL OPEN COMPRESSOR MODELS LTA 85 & 95



**SINGLE STAGE CENTRIFUGAL OPEN COMPRESSOR MODELS LTA 85 & 95**

ITEM No.	DESCRIPTION	QTY	PART NUMBER
1	Scroll, Rotor	1	064-12167
2	Tube, Suction, L.S. Pump	1	064-15519
3	Ring, Internal Retaining	1	029-08736
4	Conn. Suction L.S. Pump	1	064-15513
5	Screw, Cap $\frac{3}{8}$ " - 16 UNC $\times$ $1\frac{1}{2}$ " long	8	021-02451
6	Plate, Back Up	1	064-14988
7	Ring, Internal Retaining	1	029-06722
8	Screw, Cap $\frac{3}{8}$ " - 24 NF $\times$ 1" long	6	021-11103
9	Gasket, RD, $2\frac{3}{4}$ " o.d. $\times$ $1\frac{1}{2}$ " i.d. $\times$ $\frac{1}{16}$ " thick	1	064-15521
10	Plug, $\frac{3}{16}$ " UNF	1	S612/328A
11	Gasket, Oil Separator	1	064-12145
12	Pin, Insert $\frac{1}{4}$ " dia. $\times$ $\frac{7}{8}$ " long	1	029-07014
13	Plug Pipe, $\frac{3}{4}$ " NPT	1	023-04053
14	Bearing, Main Shaft	1	064-16872
15	Bearing, Pinion Gear	1	064-11643
16	Ring, Internal Retaining	1	029-08496
17	Bearing, Gear Front	1	064-13845
18	Screw, Cap $\frac{3}{8}$ " - 24 UNF $\times$ $1\frac{1}{2}$ " long	3	021-11119
19	Gears (Refer to Head Office with Original Order Number and Serial Number before Ordering)		
20	Shaft, Drive	1	064-14971
21	Bearing, Gear Rear	1	064-11665
22	Bearing, Thrust	1	064-11644
23	Collar, Thrust	1	064-15508
24	Gasket, Bearing Housing	1	064-15515
25	Shaft, Main	1	064-14993
26	Plate, Oil Separator	1	064-13678
27	Ring, Seal	1	064-13813
28	Pin, Insert $\frac{1}{2}$ " dia. $\times$ $1\frac{1}{4}$ " long	1	029-06875
29	Washer, Flat Spring	1	064-13680
30	Plate, Thrust	1	064-14989
31	Gasket, Inner Spring Seal	1	064-12144
32	Ring, Inner Spring Seal	1	064-12252
33	Screw, Cap $\frac{3}{8}$ " - 16 UNC $\times$ $1\frac{3}{4}$ " long	20	021-11916
34	Collar, Impeller Clamping	1	064-15435
35	Screw, Cap $\frac{1}{2}$ " UNF $\times$ $4\frac{1}{2}$ " long	1	021L00020 000
36	Washer, Impeller Clamping	1	064-16742
37	Cover, Oil Pump	1	064-11660
38	Plate, Pressure	1	064-11819
39	Ring, Shaft Seal (to be renewed together with Item 57)	1	064-15385 008
40	Screw, Cap	36	021-02594
41	Ring, "O" $4\frac{1}{8}$ " o.d. $\times$ $3\frac{7}{8}$ " i.d. $\times$ $\frac{1}{8}$ "	1	028-04352
42	Ring, "O" 2" o.d. $\times$ $1\frac{1}{16}$ " i.d. $\times$ $\frac{3}{32}$ "	1	028-04477
43	Ring, "O" 20" o.d. $\times$ $19\frac{1}{2}$ " i.d. $\times$ $\frac{1}{4}$ "	1	028-05401
44	Screw, Cap $\frac{3}{4}$ " - 10 UNC $\times$ 2" long	16	021-11736

**SINGLE STAGE CENTRIFUGAL OPEN COMPRESSOR MODELS LTA 85 & 95**

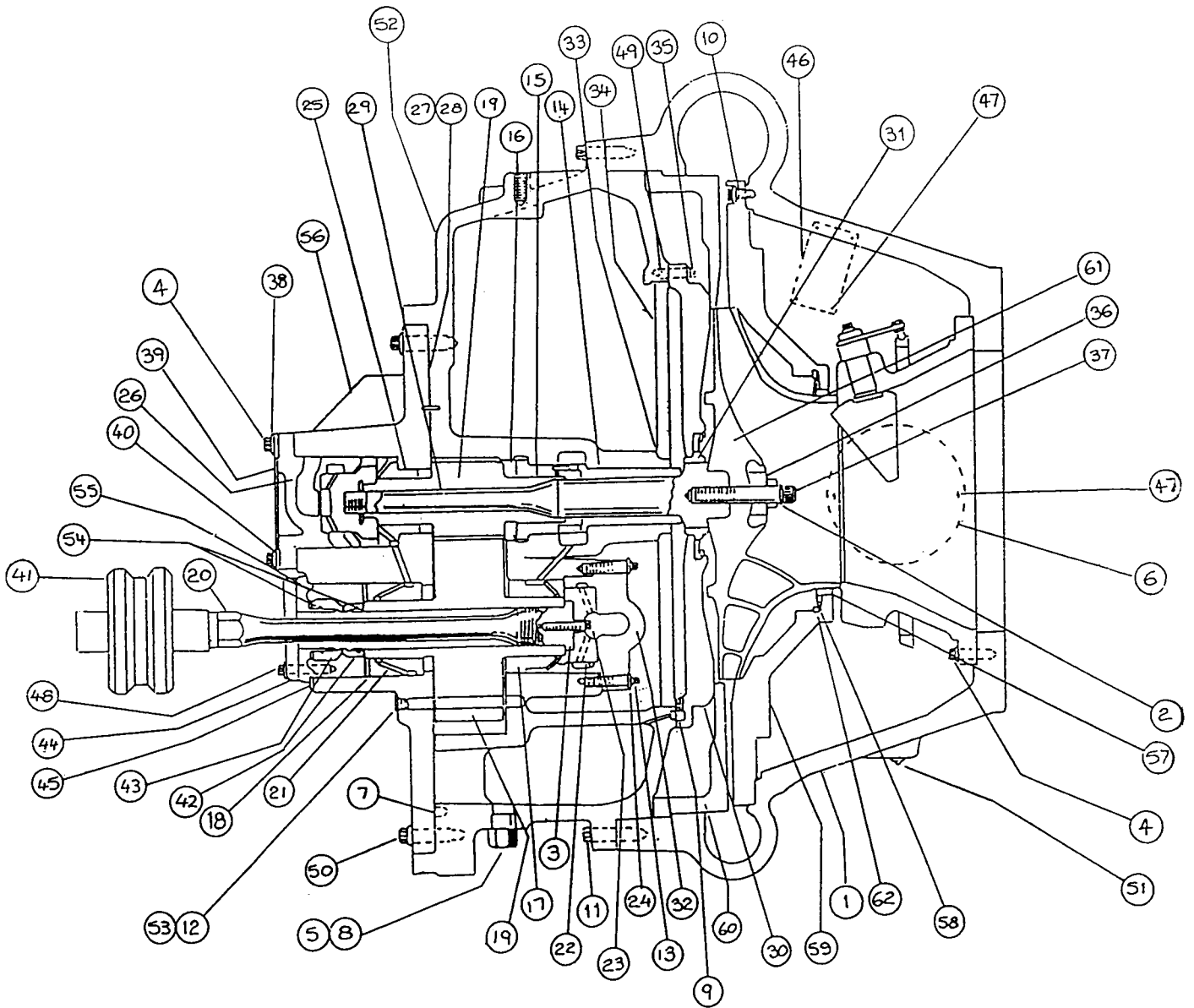
ITEM No.	DESCRIPTION	QTY	PART NUMBER
45	Ring, "O" 8.012" o.d. × 7.734" i.d. × 0.139"	1	028-04679
46	Plug, "O" Ring 1 $\frac{1}{8}$ " - 12 UNF	1	023-07063
47	Nameplate, Data Compressor	1	S612/557
48	Nameplate, Publicity 6"	1	029-00309
49	Screw, Drive No. 4 × $\frac{1}{4}$ " long	8	021-03720
50	Screw, Cap $\frac{5}{16}$ " - 24 UNF × 1 $\frac{3}{4}$ " LH	1	021-11532
51	Elbow, 90° $\frac{3}{4}$ " Tube × $\frac{3}{4}$ " MPT	4	023-06820
52	Volute, L.S. Oil Pump	1	064-13695
53	Tube, $\frac{3}{4}$ " o.d. × 0.049" Wall	8 ft	003-00952
54	Pump, Oil L.S.	1	064-15509
55	Collar, Shaft Seal	1	064-12318 007
56	Ring, Internal Retaining	2	028-4348
57	Spring, Helical (to be renewed together with Item 39)	1	029-11568 001
58	Cover, Seal	1	064-22929
59	Screw, Cap $\frac{3}{8}$ " - 16 UNC × $\frac{7}{8}$ " long	4	021-11139
60	Coupling York Flex	1	364-06503
61	Support, Rotor	1	064-16744
62	Ring, "O" 4 $\frac{1}{2}$ " o.d. × 4" i.d. × $\frac{1}{8}$ "	1	028-04349
63	Gasket, Round 30 $\frac{1}{16}$ " o.d. × 29 $\frac{1}{32}$ " i.d. × $\frac{1}{32}$ "	1	064-21463
64	Ring, "O" $\frac{5}{8}$ " o.d. × $\frac{7}{16}$ " i.d. × $\frac{3}{32}$ "	1	028-06729
65	Housing, Bearing	1	064-15522

**VARIABLE COMPONENTS**

ITEM No.	DESCRIPTION	QTY	PART NUMBERS	
			LTA 85	LTA 95
66	Ring, Seal Impeller	1	064-05681	064-05646
67	Washer, Flat Spring	1	064-05683	064-05656
68	Plate, Nozzle Base	1	064-13475	064-13476
69	Plate, Diffuser	1	064-12139	064-12103
70	Impeller	1	064-11968	064-11969
71	Ring, Retaining, Oil Seal	1	064-05680	064-05588
	Ring, High Pressure	1	028-04522	028-04522
	Ring, "O" Control Shaft	1	028-04353	028-04353

Shaft Seal Replacement Kit (comprising items No. 39, 55, 56, 57, 58, 62) BM 2570. Field Replacement Gaskets Kit BM 3352.

# SINGLE STAGE CENTRIFUGAL OPEN COMPRESSOR MODELS LTC 67 & 76



**SINGLE STAGE CENTRIFUGAL OPEN COMPRESSOR MODELS LTC 67 & 76**

ITEM No.	DESCRIPTION	QTY	PART NUMBER
1	Scroll, Rotor	1	064-11633
2	Washer, Special	1	064-16500
3	Ring, "O" 2" x 1 $\frac{13}{16}$ " x $\frac{3}{32}$ "	1	028-04477
4	Screw, Cap $\frac{3}{8}$ " - 16 UNC x 1 $\frac{1}{2}$ " long	11	021-02451
5	Plug, Special 1 $\frac{1}{16}$ " UNF	1	023-07063
6	Nameplate, Publicity 4"	1	029-00309
7	Ring, "O" 20" o.d. x 19 $\frac{1}{2}$ " i.d. x $\frac{1}{4}$ " thick	1	028-05401
8	Ring, "O" 1 $\frac{1}{8}$ " o.d. x $\frac{15}{16}$ " x $\frac{3}{32}$ " thick	1	028-05403
9	Gasket, Oil Separator	1	064-11803
10	Screw, Cap $\frac{3}{8}$ " - 24 UNF x $\frac{7}{8}$ " long	6	021-11498
11	Screw, Cap $\frac{5}{8}$ " - 11 UNC x 1 $\frac{1}{2}$ " long	32	021-11159
12	Plug, Special $\frac{9}{16}$ " - 18 UNF	1	023-07158
13	Screw, Cap $\frac{3}{8}$ " - 16 UNC x 2" long	6	021-11917
14	Bearing, Main Shaft	1	064-11642
15	Bearing, Pinion Gear	1	064-11643
16	Ring, Internal Retaining	1	029-08496
17	Bearing, Gear Front	1	064-13845
18	Ring, Internal Retaining	1	029-06722
19	Gears (Refer to Head Office with Original Order Number and Serial Number before Ordering)		
20	Shaft, Drive	1	064-24520
21	Bearing, Gear Rear	1	064-11665
22	Pump, Oil, L.S.	1	064-13841
23	Screw, Cap $\frac{5}{16}$ " - 24 UNF x 1 $\frac{3}{4}$ " LH	1	021-11532
24	Washer, Flat $\frac{3}{4}$ " x $\frac{25}{64}$ " x $\frac{1}{16}$ "	6	064-11649
25	Bearing, Thrust	1	064-11644
26	Collar, Thrust	1	064-11654
27	Gasket, Bearing Housing	1	064-11802
28	Pin, Insert $\frac{3}{16}$ " x $\frac{1}{2}$ " long	2	029-04138
29	Shaft, Main	1	064-11655
30	Plate, Oil Separator	1	064-20436
31	Ring, Seal	1	064-13683
32	Housing, Oil Pump	1	064-13842
33	Gasket, Inner Spring Seal $\frac{1}{32}$ " thick	1	064-11806
34	Ring, Inner Spring Seal	1	064-11656
35	Screw, Cap $\frac{3}{8}$ " - 16 UNC x 1 $\frac{1}{4}$ " long	21	021-01486
36	Collar, Impeller Clamping	1	064-11659
37	Screw, Cap $\frac{5}{8}$ " - 18 UNF x 3 $\frac{3}{4}$ " long	1	021-12159
38	Ring, "O" 4 $\frac{1}{8}$ " x 3 $\frac{7}{8}$ " x $\frac{1}{8}$ "	1	028-04352
39	Cover, Oil Pump	1	064-11660
40	Plate, Pressure	1	064-11819
41	Coupling, York Flex	1	364-24518
42	Collar, Shaft Seal	1	064-12318 007
43	Ring, Shaft Seal (to be Renewed together with Item No. 55)	1	064-15385 008
44	Cover, Seal	1	064-22929

**SINGLE STAGE CENTRIFUGAL OPEN COMPRESSOR MODELS LTC 67 & 76**

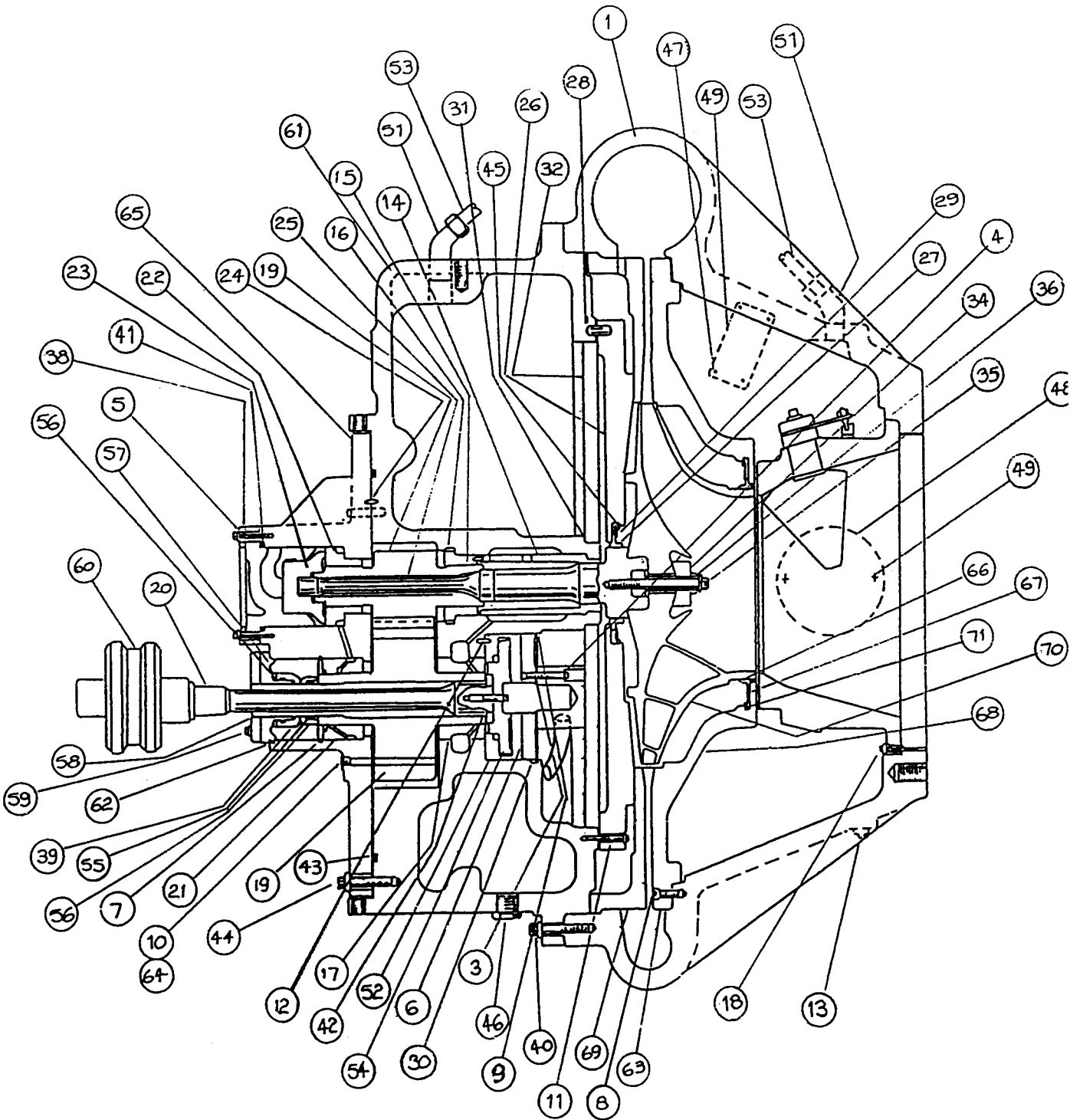
ITEM No.	DESCRIPTION	QTY	PART NUMBER
45	Ring, "O" 4 $\frac{1}{4}$ " o.d. $\times$ 4" i.d. $\times$ $\frac{1}{8}$ "	2	028-04349
46	Nameplate, Data, Compressor	1	S612/557
47	Screw, Drive No. 4 $\times$ $\frac{1}{4}$ " long	8	021-03720
48	Screw, Cap $\frac{3}{8}$ " - 16 UNC $\times$ $\frac{7}{8}$ " long	8	021-11139
49	Pin, Insert $\frac{1}{2}$ " $\times$ $1\frac{1}{8}$ " long	1	029-06855
50	Screw, Cap $\frac{3}{4}$ " - 10 UNC $\times$ 2" long	16	021-11736
51	Plug, Pipe $\frac{3}{4}$ "	2	023-04053
52	Support, Rotor	1	064-19266
53	Ring, "O" $\frac{5}{8}$ " o.d. $\times$ $\frac{7}{16}$ " $\times$ $\frac{3}{32}$ "	1	028-06729
54	Ring, "O" Packing 2" $\times$ $1\frac{3}{4}$ " $\times$ $\frac{1}{8}$ "	2	028-4348
55	Spring, Helical LH (to be renewed together with Item No. 43)	1	029-11568 001
56	Housing, Bearing	1	064-11641

**VARIABLE COMPONENTS**

ITEM No.	DESCRIPTION	QTY	PART NUMBERS	
			LTC 67	LTC 76
57	Ring, Seal Impeller	1	064-20430	064-20431
58	Washer, Flat Spring	1	064-06242	064-05741
59	Plate, Nozzle Base	1	064-20409	064-20410
60	Plate, Diffuser	1	064-11810	064-11638
61	Impeller	1	064-11297	064-11127
62	Ring, Retaining Oil Seal	1	064-06243	064-5742
	Ring, "O" Control Shaft	1	028-04522	028-04522
		1	028-03838	028-03838

Shaft Seal Replacement Kit (comprising items No. 42, 43, 44, 45, 54 and 55) - BM 2570. Field Replacement Gaskets Kit BM 3351.

SINGLE STAGE CENTRIFUGAL OPEN COMPRESSOR MODELS LTC 85 & 95



**SINGLE STAGE CENTRIFUGAL OPEN COMPRESSOR MODELS LTC 85 & 95**

ITEM No.	DESCRIPTION	QTY	PART NUMBER
1	Scroll, Rotor	1	064-12167
2	Tube, Suction, L.S. Pump	1	064-15519
3	Ring, Internal Retaining	1	029-08736
4	Conn. Suction L.S. Pump	1	064-21476
5	Screw, Cap $\frac{3}{8}$ " - 16 UNC $\times$ 1 $\frac{1}{2}$ " long	8	021-02451
6	Plate, Back Up	1	064-14988
7	Ring, Internal Retaining	1	029-06722
8	Screw, Cap $\frac{3}{8}$ " - 24 NF $\times$ 1" long	6	021-11103
9	Gasket, RD, 2 $\frac{3}{4}$ " o.d. $\times$ 1 $\frac{1}{2}$ " i.d. $\times$ $\frac{1}{16}$ " thick	1	064-15521
10	Plug, $\frac{9}{16}$ " UNF	1	S612/328A
11	Gasket, Oil Separator	1	064-12145
12	Pin, Insert $\frac{1}{4}$ " dia. $\times$ $\frac{7}{8}$ " long	1	029-07014
13	Plug Pipe, $\frac{3}{4}$ " NPT	1	023-04053
14	Bearing, Main Shaft	1	064-21465
15	Bearing, Pinion Gear	1	064-11643
16	Ring, Internal Retaining	1	029-08496
17	Bearing, Gear Front	1	064-13845
18	Screw, Cap $\frac{3}{8}$ " - 24 UNF $\times$ 1 $\frac{1}{2}$ " long	3	021-11119
19	Gears (Refer to Head Office with Original Order Number and Serial Number before Ordering)		
20	Shaft, Drive	1	064-24520
21	Bearing, Gear Rear	1	064-11665
22	Bearing, Thrust	1	064-11644
23	Collar, Thrust	1	064-27569
24	Gasket, Bearing Housing	1	064-15515
25	Shaft, Main	1	064-27568
26	Plate, Oil Separator	1	064-21431
27	Ring, Seal	1	064-21430
28	Pin, Insert $\frac{1}{2}$ " dia. $\times$ 1 $\frac{1}{4}$ " long	1	029-06875
29	Washer, Flat Spring	1	064-21429
30	Plate, Thrust	1	064-14989
31	Gasket, Inner Spring Seal	1	064-12144
32	Ring, Inner Spring Seal	1	064-12252
33	Screw, Cap $\frac{3}{8}$ " - 16 UNC $\times$ 1 $\frac{3}{4}$ " long	20	021-11916
34	Collar, Impeller Clamping	1	064-21477
35	Screw, Cap $\frac{1}{2}$ " UNF $\times$ 6" long	1	021-11998
36	Washer, Impeller Clamping	1	064-21478
37	Cover, Oil Pump	1	064-11660
38	Plate, Pressure	1	064-11819
39	Ring, Shaft Seal (to be renewed together with Item No. 57)	1	064-15385 008
40	Screw, Cap	36	021-02594
41	Ring, "O" 4 $\frac{1}{8}$ " o.d. $\times$ 3 $\frac{7}{8}$ " i.d. $\times$ $\frac{1}{8}$ "	1	028-04352
42	Ring, "O" 2" o.d. $\times$ 1 $\frac{13}{16}$ " i.d. $\times$ $\frac{3}{32}$ "	1	028-04477
43	Ring, "O" 20" o.d. $\times$ 19 $\frac{1}{2}$ " i.d. $\times$ $\frac{1}{4}$ "	1	028-05401
44	Screw, Cap $\frac{3}{4}$ " - 10 UNC $\times$ 2" long	16	021-11736

**SINGLE STAGE CENTRIFUGAL OPEN COMPRESSOR MODELS LTC 85 & 95**

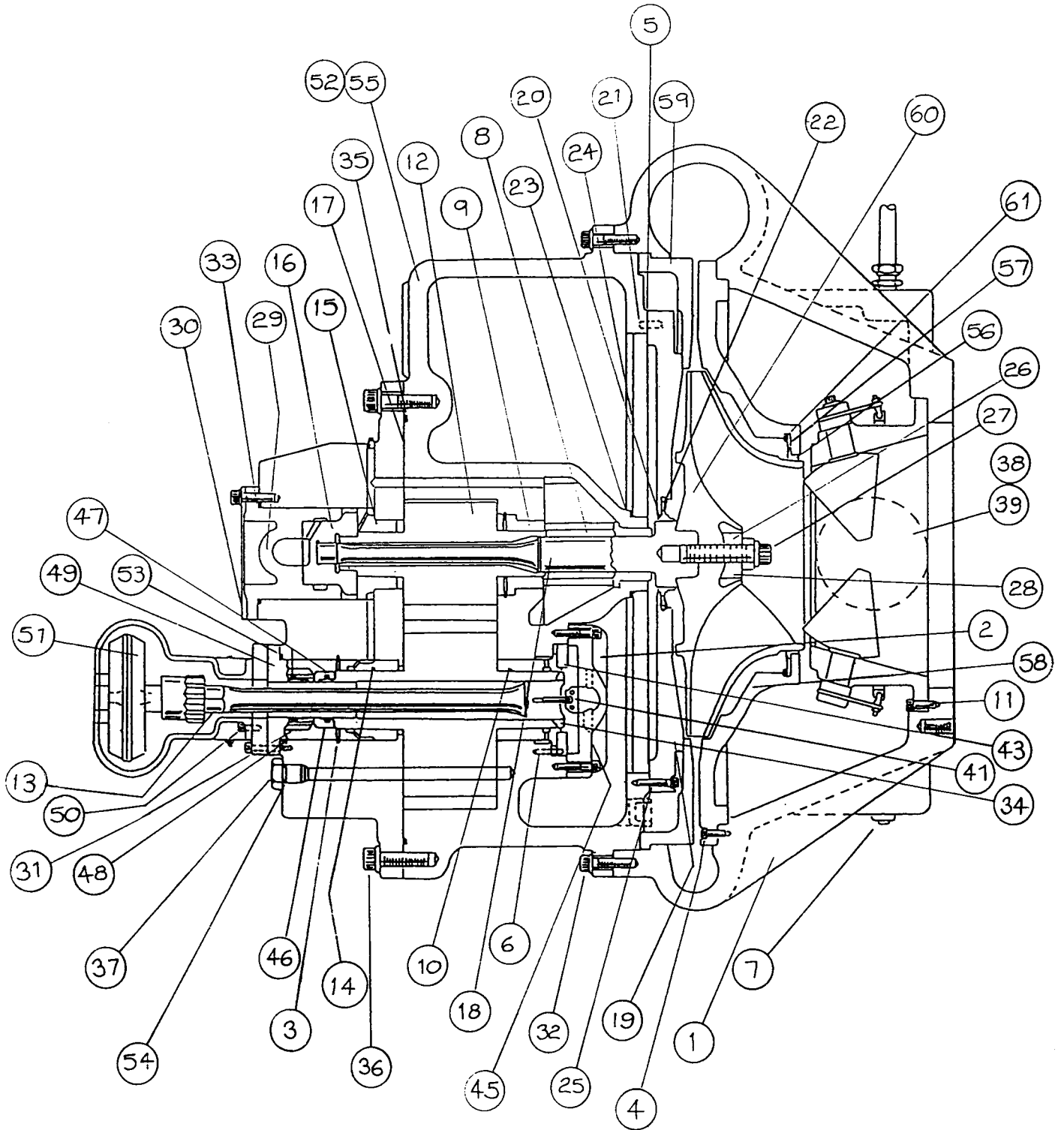
ITEM No.	DESCRIPTION	QTY	PART NUMBER
45	Ring, Retaining	1	029-8600
46	Plug, "O" Ring 1 $\frac{1}{8}$ " - 12 UNF	1	023-07063
47	Nameplate, Data Compressor	1	S612/557
48	Nameplate, Publicity 6"	1	029-00309
49	Screw, Drive No. 4 x $\frac{1}{4}$ " long	8	021-03720
50	Screw, Cap $\frac{5}{16}$ " - 24 UNF x 1 $\frac{3}{4}$ " LH	1	021-11532
51	Elbow, 90° $\frac{3}{4}$ " Tube x $\frac{3}{4}$ " MPT	4	023-06820
52	Volute, L.S. Oil Pump	1	064-21467
53	Tube, $\frac{3}{4}$ " o.d. x 0.049" Wall	8 ft	003-00952
54	Pump, Oil L.S.	1	064-15509
55	Collar, Shaft Seal	1	064-12318 007
56	Ring, Internal Retaining	2	028-4348
57	Spring, Helical (to be renewed together with Item No. 39)	1	029-11568 0019
58	Cover, Seal	1	064-22929
59	Screw, Cap $\frac{3}{8}$ " - 16 UNC x $\frac{7}{8}$ " long	4	021-11139
60	Coupling York Flex	1	364-24518
61	Support, Rotor	1	064-19265
62	Ring, "O" 4 $\frac{1}{4}$ " o.d. x 4" i.d. x $\frac{1}{8}$ "	1	028-04349
63	Gasket, Round 30 $\frac{1}{8}$ " o.d. x 29 $\frac{17}{32}$ " i.d. x $\frac{1}{32}$ "	1	064-21463
64	Ring, "O" $\frac{5}{8}$ " o.d. x $\frac{7}{16}$ " i.d. x $\frac{3}{32}$ "	1	028-06729
65	Housing, Bearing	1	064-15522

**VARIABLE COMPONENTS**

ITEM No.	DESCRIPTION	QTY	PART NUMBERS	
			LTC 85	LTC 95
66	Ring, Seal Impeller	1	064-21418	064-21417C
67	Washer, Flat Spring	1	064-05683	064-05656
68	Plate, Nozzle Base	1	064-21643	064-21644
69	Plate, Diffuser	1	064-12139	064-12103
70	Impeller	1	064-11968	064-11969
71	Ring, Retaining, Oil Seal	1	064-05680	064-05588
	Ring, High Pressure Seal	1	064-13813	064-13813
	Ring, "O" Control Shaft	1	028-04522	028-04522
			028-03838	028-03838

Shaft Seal Replacement Kit (comprising items No. 39, 55, 56, 57, 58, 62) BM 2570. Field Replacement Gaskets Kit BM 3352.

SINGLE STAGE CENTRIFUGAL OPEN COMPRESSOR MODELS LTC 86 & 96



**SINGLE STAGE CENTRIFUGAL OPEN COMPRESSOR MODELS LTC 86 & 96**

ITEM No.	DESCRIPTION	QTY	PART NUMBER
1	Scroll, Rotor	1	64-12167
2	Housing, LS Pump	1	64-15256
3	Ring, Internal Retaining	2	29-08604
4	Screw, Cap $\frac{3}{8}$ " - 24 NF x 1" long	3	—
5	Gasket, Oil Separator	1	64-12145
6	Pin, Insert $\frac{1}{4}$ " dia. x $1\frac{1}{4}$ " long	1	29-06863
7	Plug, Pipe, $\frac{3}{4}$ " NPT	1	—
8	Bearing, Main Shaft	1	64-12854
9	Bearing, Pinion Gear	1	64-12138
10	Bearing, Gear Front	1	64-13912
11	Screw, Cap $\frac{3}{8}$ " - 24 UNF x $1\frac{1}{2}$ " long	3	21-11119
12	Gears (Refer to Head Office with Original Order Number and Serial Number before Ordering)		
13	Shaft, Drive	1	64-20142
14	Bearing, Gear Rear	1	64-12137
15	Bearing, Thrust	1	64-12136
16	Collar, Thrust	1	64-12134
17	Gasket, Bearing Housing	1	64-12795
18	Shaft, Main	1	64-12140
19	Plate, Oil Separator	1	64-21431
20	Ring, Seal	1	64-21430
21	Pin, Insert $\frac{1}{2}$ " dia. x $1\frac{1}{4}$ " long	1	29-06875
22	Washer, Flat Spring	1	64-21429
23	Gasket, Inner Spring Seal	1	64-12144
24	Ring, Inner Spring Seal	1	64-12252
25	Screw, Cap $\frac{3}{8}$ " - 16 UNC x $1\frac{3}{4}$ " long	34	—
26	Collar, Impeller Clamping	1	64-12141
27	Screw, Cap $\frac{7}{8}$ " - 14 UNF 3A x 5" long	1	21-09794
28	Washer, Impeller Clamping	1	64-16501
29	Cover, Oil Pump	1	64-12132
30	Plate, Pressure	1	64-12142
31	Ring, Shaft Seal	1	64-15385 010
32	Screw, Cap $\frac{5}{8}$ " - 11 UNC 3 x 2" long	36	21-02594
33	Ring, "O" $5\frac{1}{4}$ " o.d. x $2\frac{1}{8}$ " i.d.	1	28-04517
34	Ring, "O" $2\frac{3}{8}$ " o.d. x $2\frac{1}{8}$ " i.d. x $\frac{1}{8}$ "	1	28-04478
35	Ring, "O" $22\frac{3}{4}$ " i.d. x 0.275" sed	1	28-04518
36	Screw, Cap $\frac{3}{4}$ " - 10 UNC x $2\frac{1}{4}$ " long	20	—
37	Plug, "O" Ring $1\frac{1}{8}$ " - 12 UNF	2	023-07063
38	Nameplate, Data Compressor	1	29-00262
39	Nameplate, Publicity 6"	1	29-00310
40	Screw, Drive No. 4 x $\frac{1}{4}$ " long	8	021-03720
41	Screw, Cap $\frac{5}{16}$ " - 24 UNF x $1\frac{3}{4}$ " LH	1	021-11532
42	Elbow, 90° $\frac{3}{4}$ " Tube x $\frac{3}{4}$ " MPT	4	023-06820
43	Volute, L.S. Oil Pump	1	064-13695
44	Tube, $\frac{3}{4}$ " o.d. x 16" G Wall	7 ft	03-00952

**SINGLE STAGE CENTRIFUGAL OPEN COMPRESSOR MODELS LTC 86 & 96**

ITEM No.	DESCRIPTION	QTY	PART NUMBER
45	Pump Oil L.S.	1	064-13911
46	Collar, Shaft Seal	1	064-12318 009
47	Ring, "O" 2½" o.d. × 2¼" i.d. × ⅜"	2	{ 028-04519 028-03517
48	Spring, Helical	1	029-11568 003
49	Cover, Seal	1	064-24151
50	Screw, Cap ⅜" – 16 UNC × 1" long	4	21-02585
51	Coupling York Flex	1	364-22205
52	Support, Rotor	1	64-16112
53	Ring, "O" 1⅝" o.d. × 4" i.d. × 0.139"	1	28-04639
54	Ring, "O" 1⅝" o.d. × 1⅝" i.d. × ⅜"	2	28-03093
55	Housing, Bearing 1⅝"	1	64-12027

**VARIABLE COMPONENTS**

ITEM No.	DESCRIPTION	QTY	PART NUMBERS		
			LTC 86	LTC 96	
56	Ring, Seal Impeller	1	64-05681	064-05646	
57	Washer, Flat Spring	1	64-5683	064-5656	
58	Plate, Nozzle Base	1	64-13475	064-13476	
59	Plate, Diffuser	1	64-12139	064-12103	
60	Impeller	1	64-11968	064-11969	
61	Ring, Retaining Oil Seal	1	64-5680	064-05588	
62	Ring, "O" Control Shaft	{	1	28-04522	28-04522
			1	28-03838	28-03838

