



PRODUCT DRAWING

YORK INTERNATIONAL CORPORATION
P.O. Box 1592, York, PA 17405

Supersedes: Nothing

Form 160.72-PA12 (498)

MILLENNIUM™ OM CENTRIFUGAL CHILLERS PIPING – OIL RETURN & LIQUID INJECTION

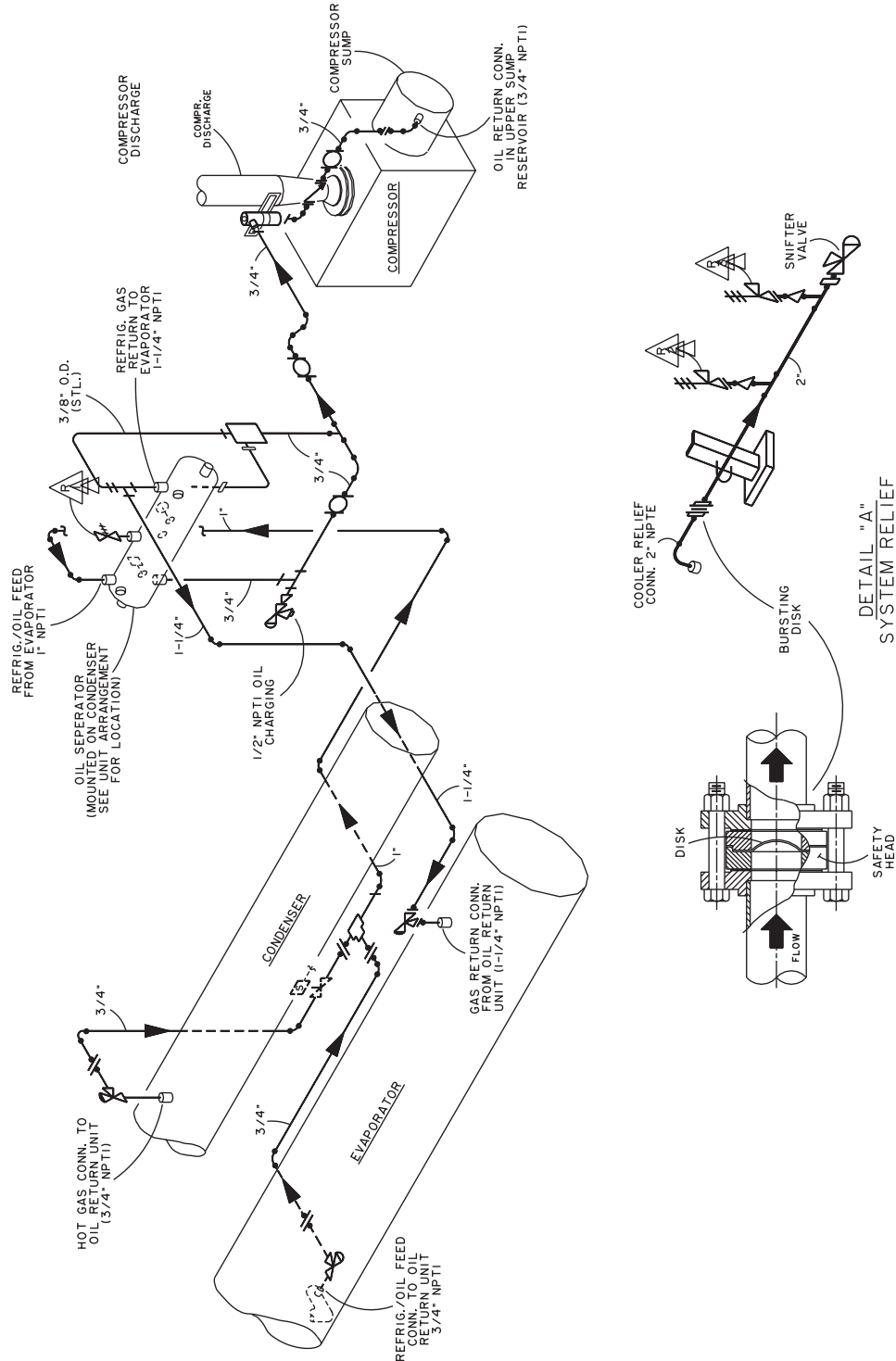
CONTRACTOR _____
ORDER NO. _____
YORK CONTRACT NO. _____
YORK ORDER NO. _____

PURCHASER _____
JOB NAME _____
LOCATION _____
ENGINEER _____

REFERENCE DATE _____

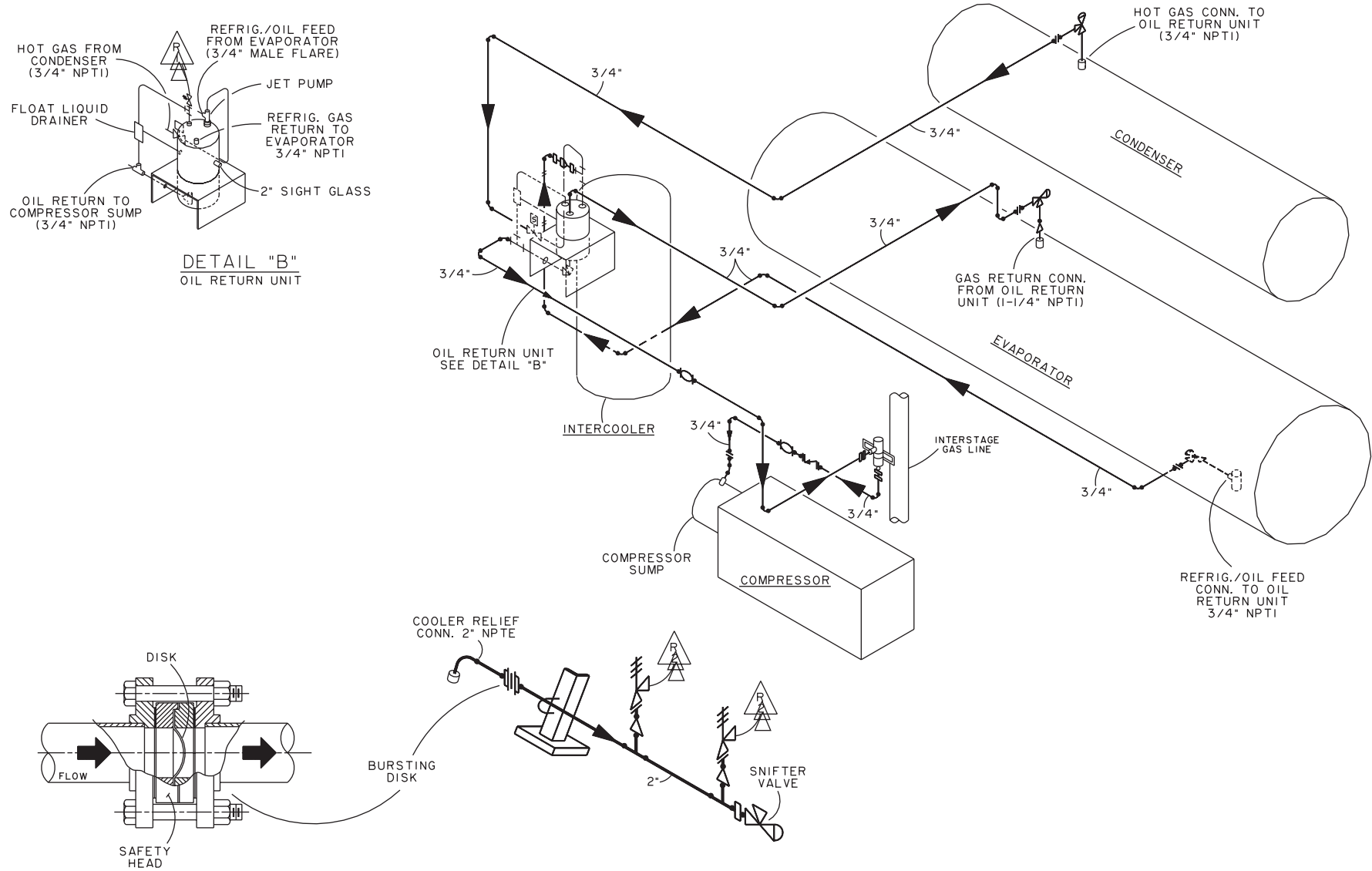
APPROVAL DATE _____

CONSTRUCTION DATE _____



LD02800

FIG. 1 – OIL RETURN PIPING – HORIZONTAL SEPARATOR



LD02801

FIG. 2 – OIL RETURN PIPING – VERTICAL SEPARATOR

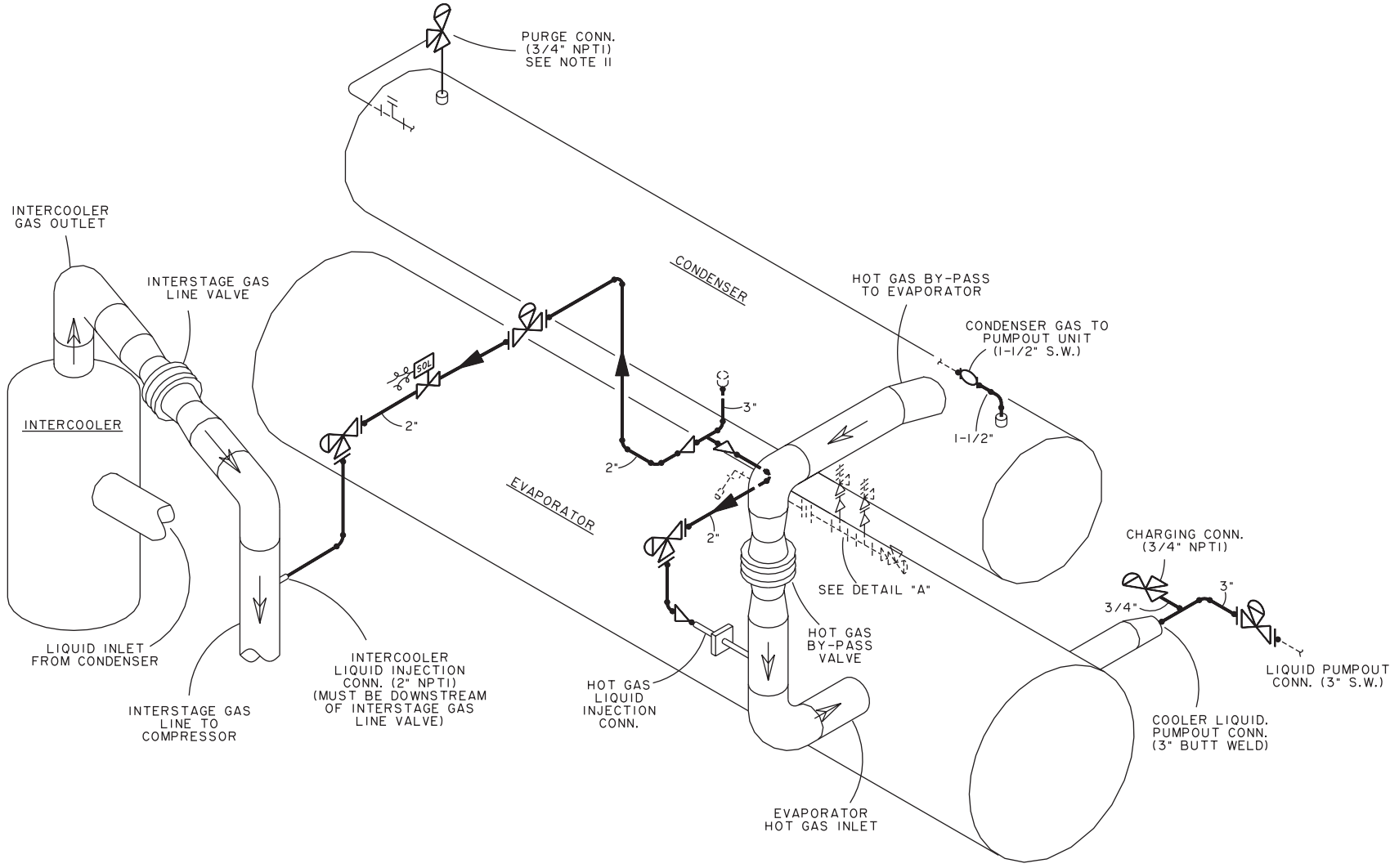


FIG. 3 – LIQUID INJECTION PIPING

LD02802

