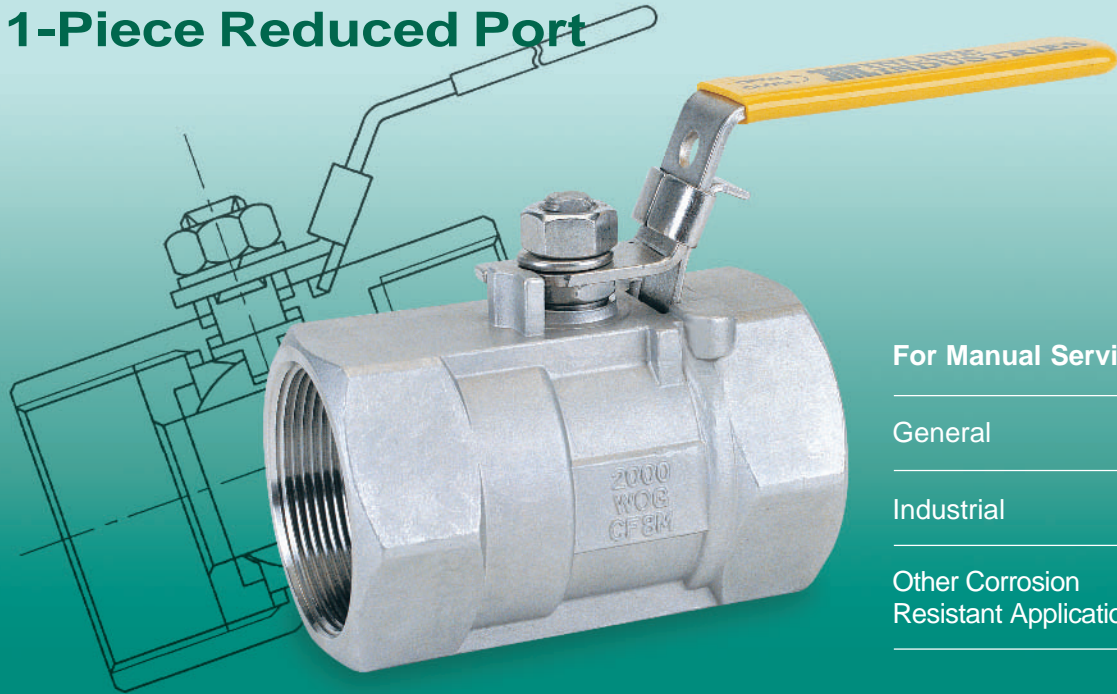


102R Ball Valve

1-Piece Reduced Port



For Manual Service

General

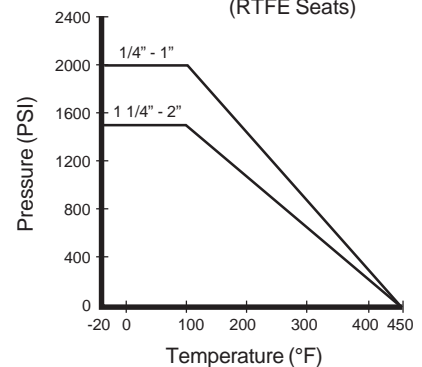
Industrial

Other Corrosion
Resistant Applications

Standard Features and Benefits

- **Economical 1-Piece Design**
- 1 **High Pressure Construction**
Body and seals designed to perform under greater loads than standard 1-piece ball valves
- 1 **Blow-Out-Proof Stem**
Stem is bottom loaded to prevent removal during operation
- 1 **Independent Packing Gland**
Allows for handle replacement while valve is in service
- 1 **Locking Device**
Enables plant personnel to secure valve in open or closed position when manually operated
- 1 **Corrosion Resistant**
Made of 316 stainless steel (A351 Gr. CF8M) for superior chemical resistance and longer service life
- 1 **Investment Cast**
Improves dimensional control and reduces porosity

102R Pressure / Temperature Chart
(RTFE Seats)



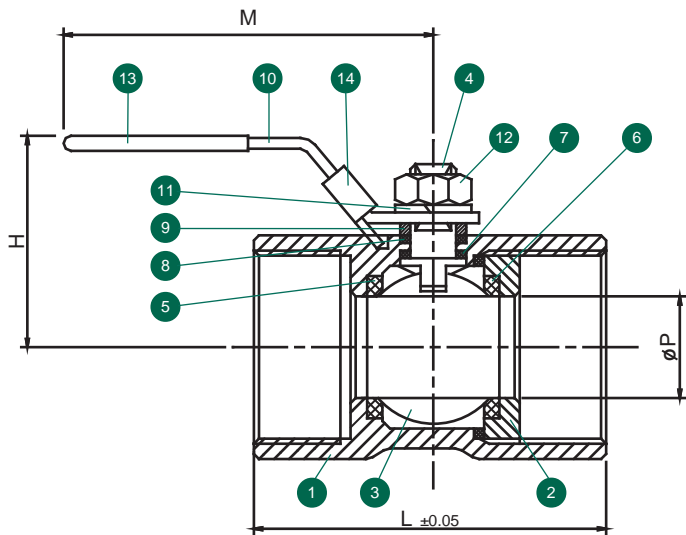
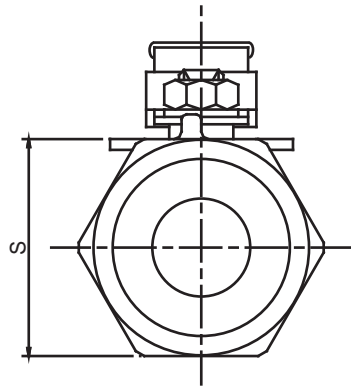
Operating Conditions

- Temperature range (RTFE):
-20°F ~ 450°F
- Maximum pressure (RTFE):
2000 PSI CWP (1/4" ~ 1")
1500 PSI CWP (1 1/4" ~ 2")

Specifications

- All valves shell and seat tested to ANSI/ASME B16.34 and API 598





Valve Components			
#	Part Name	Material	Qty.
1	Body	A351 Gr. CF8M	1
2	Insert	316SS	1
3	Ball	316SS	1
4	Stem	316SS	1
5	Seat	RTFE (15% G.F.)	2
6	Body Seal	PTFE	1
7	Thrust Washer	PTFE	1
8	Stem Packing Set	PTFE	1
9	Packing Gland	304SS	1
10	Handle	304SS	1
11	Lock Washer	304SS	1
12	Handle Nut	304SS	1
13	Handle Cover	Vinyl	1
14	Locking Device	304SS	1

Dimensions (Inches)						
Size	L	P	M	H	S	Weight (lbs)
1/4	2.05	0.20	2.91	1.18	0.67	0.22
3/8	2.05	0.28	2.91	1.18	0.79	0.25
1/2	2.56	0.36	3.54	1.93	1.10	0.63
3/4	2.76	0.49	3.54	2.05	1.34	0.88
1	3.15	0.59	4.33	2.13	1.59	1.35
1 1/4	3.74	0.79	4.33	2.52	1.97	2.15
1 1/2	3.94	0.98	5.51	2.68	2.44	3.00
2	4.49	1.26	5.51	2.95	2.73	4.50

102R Ordering Information

Example: 2" Reduced Port Ball Valve with Lever Handle and Locking Device, 316SS Body and Trim, RTFE (15% G.F.) Seats and PTFE Seals, NPT Ends

Valve Series	Valve Size	Body Material	End Material*	Ball Material	Stem Material	Seat	Seal	End Connection	Port	Ball Config.
102R - Reduced Port	2 1/4" 3 3/8" 5 1/2" 7 3/4" A 1" B 1 1/4" C 1 1/2" D 2"	6 - A351 Gr. CF8M (316)	6 - A351 Gr. CF8M (316)	6 - A351 Gr. CF8M (316)	6 - A351 Gr. CF8M (316)	R - RTFE (15% G.F.)	T - PTFE	TT - NPT	2 - 2 Way	S - Straight Port

Due to continuous product development, information may change without notice.

INLINE
BALLVALVE.COM
INLINE INDUSTRIES, INC.

4701-A Littlejohn Street
Baldwin Park, CA 91706
Tel: (800) 568-8998
(626) 813-6188
Fax: (626) 813-6186
www.ballvalve.com
info@ballvalve.com

Distributed by: