



BY JOHNSON CONTROLS

070-600 SPL (AUG 2002)

SERVICE PARTS LIST

File: SERVICE MANUAL - Section 70
Replaces: S70-600 SPL/MAR 2000
Dist: 3, 3a, 3b, 3c
Revised: October 16, 2007
June 8, 2009, p.19
July 16, 2009

Service Parts List

RWF

ROTARY SCREW COMPRESSOR UNITS

WITH

QUANTUM CONTROL

MODELS: RWF 100 – 480

HOW TO USE SERVICE PARTS LIST

This Service Parts List is for standard Frick® RWF Rotary Screw Compressor Units, Models 100–480. Units built with special options, modifications, or conversions are not taken into consideration.

This Service Parts List provides identification for detail parts by Figure and Index Number, Item Number and Description. To determine correct replacement item, locate item on Figure 1, 2, etc., note index number, refer to corresponding index number in parts list for item number and description. Quantity per assembly is located in QTY. column. Unit of measure is always "each" unless specified otherwise in Quantity column. When Ref. is in QTY. column, this means that the Item Number is for information only and is not necessarily a service replacement part. Contact Frick® Baltimore Parts Center for more information. REV. (Revision) column tells the level of the engineering drawing parts were taken from. The P & I REF. column gives the reference number of the item as shown on the Piping and Instrumentation drawing.

The Numerical Parts List can be used to locate a specific item in the Service Parts List. Look for the part by Frick Item Number and it will refer you to the Figure and Index Number where it is located.

Abbreviations found in this manual include:

A/R	As Required	SW	Socket Weld
HW	Hand Wheel	TSOC	Thermosyphon Oil Cooler
Ref.	Reference	WIL	Weld-In-Line
SC	Seal Cap	WCOC	Water Cooled Oil Cooler

The Unit Data Plate listing model/serial number etc., is attached to the frame below the compressor.

NOTE: PLEASE PROVIDE FRICK® ORDER NUMBER, UNIT MODEL NUMBER, AND UNIT SERIAL NUMBER WHEN REQUESTING A QUOTATION OR PLACING AN ORDER. FAILURE TO INCLUDE THIS INFORMATION MAY DELAY PROCESSING OF YOUR REQUEST.

TABLE OF CONTENTS

Figure 1. General Arrangement, Typical (100/134 shown).....	4
Figure 2. Screw Compressor, Typical (1913/1918 shown).....	8
Figure 3. Oil Separator, Typical (24 x 142 3/8" shown).....	10
Figure 4. Oil Filter, Typical (100/134 shown).....	14
Figure 5. Dual Oil Filters, Typical (100/134 shown).....	16
Figure 6. Oil Cooler Piping, Typical (116 Plate WCOC Shown).....	18
Figure 7. Liquid Injection.....	22
Figure 8. Suction Stop Valve, Gram.....	26
Figure 9. Discharge Stop/Check Valve, Current (Danfoss).....	28
Figure 10. Economizer.....	30
Figure 11. Oil Pump.....	32
Figure 12. Coupling Assembly.....	36
Figure 13. Wiring Harness, Typical (177/222 shown).....	38
Figure 14. Piping and Instrumentation, Typical.....	40
Figure 15. 1913/1918 Compressor Ports Locations.....	44
Figure 16. 2313/2317 Compressor Ports Locations.....	45
Figure 17. 2321 Compressor Ports Locations.....	46
Figure 18. 2813/2817 Compressor Ports Locations.....	47
Figure 19. 2821 Compressor Ports Locations.....	48
COMPRESSOR PORT O-RINGS.....	49
FRICK COMPRESSOR OILS.....	50
FRICK BLUE PAINT.....	50
FRICK FLANGE GASKETS.....	50
STOP VALVE COMPLETE REPAIR KIT (less stem).....	51
STRAIGHT ADAPTERS/O-RINGS - STRAIGHT THREAD TO NPTF....	51
90° ELBOW ADAPTERS/O-RINGS - STRAIGHT THREAD TO TUBE..	51
NUMERICAL PARTS LIST.....	52

RECOMMENDED SPARE PARTS - CURRENT DESIGN			
DESCRIPTION	QTY.	MODEL	ITEM NUMBER
Temperature Probe, Element Less Well (TE-1-4) ⁽¹⁾	1	ALL	639A0152H01
Transducer, Pressure, 0-200 PSIA (PE-4)	1	ALL	913A0146H01
Transducer, Pressure, 0-500 PSIA (PE-1-3)	1	ALL	913A0146H02
Coil, 120V 60Hz, 110V 50Hz, Solenoid Valve	2	ALL	951A0092H04
Coil, 220V 50Hz, 240V 60Hz, Solenoid Valve	2	ALL	951A0092H05
Coil, 240V 50Hz, Solenoid Valve	2	ALL	951A0092H06
Seal Kit, Solenoid Valve	1	ALL	951A0056H34
Transmitter, Linear, Slide Valve (less well)	1	ALL	534D1251H03
Transmitter, Linear, Slide Stop (less well)	1	ALL	534C1478H02
Heater, Oil, 500W, 120V	1	ALL	913A0092G01
Heater, Oil, 1000W, 120V	1	ALL	913A0092G02
Heater, Oil, 500W, 240V	1	ALL	913A0092G03
Heater, Oil, 1000W, 240V	1	ALL	913A0092G04
Filter, Coalescing, Convolutud	A/R	ALL	531B0099H01
Gasket, Manway For Coalescer	1	ALL	531A0105H04
Element, Oil Filter, SuperFilter™ (Required for 1-2-3 Warranty)	A/R	ALL	531A0218H01
Gasket, End Cover For 531A0218H01 Above	A/R	ALL	959A0082H01
Gasket, Clamping Plate For 531A0218H01 Above	A/R	ALL	959A0053H01
Seal, Center for 531A0218H01 Above	A/R	ALL	900A0007H01
Gasket, Bottom For 531A0218H01 Above	A/R	ALL	333Q0001236
Shaft Seal Replacement Kit	1	100 & 134	534M0163G02
Shaft Seal Replacement Kit	1	177 - 270	534M0163G03
Shaft Seal Replacement Kit	1	316 - 480	534M0163G04

Note: This list is based on one unit. When stocking for more than one unit, the quantity should be adjusted to meet your individual requirements.

For help in identifying valves, see Shutoff Valve Identification Guide S160-800 SPL.

1. 913A0101H01 was the first temp. probe assbly. used (well, 913A0098H01 was included). This was replaced with assbly. 913A0097G01 that was superceded by assemblies 639A0151G01 or 639A0152H01. See letter NS-11-05 for complete explanation and description of temperature probes used.

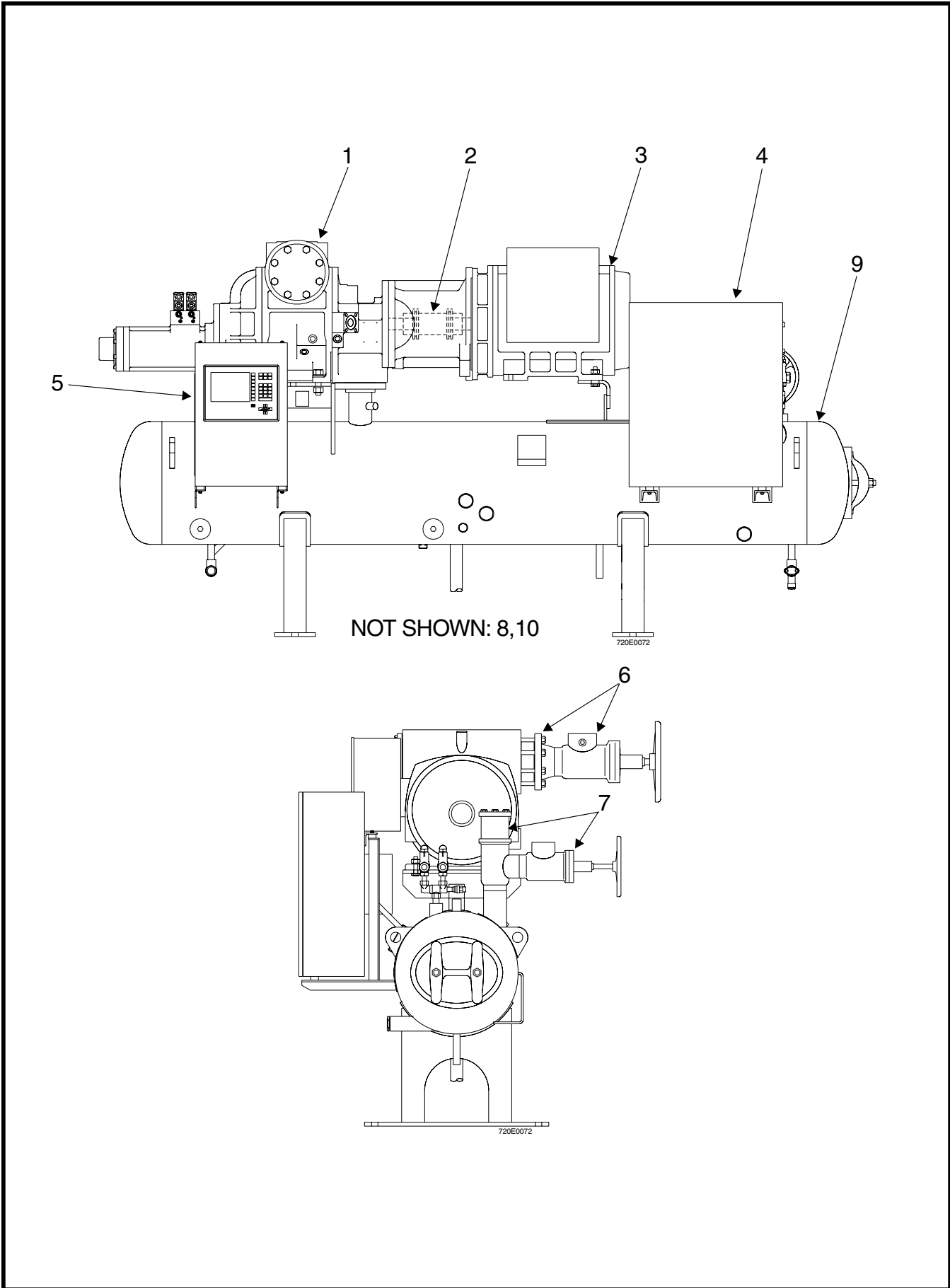


Figure 1. General Arrangement, Typical (100/134 shown).

FIG. & INDEX	ITEM NUMBER	DESCRIPTION	QTY.	REV.	P & I REF.
1-	720E0072	General Arrangement, RWF 100 and 134	Ref.	E	
	720E0073	General Arrangement, RWF 177 and 222	Ref.	F	
	720E0074	General Arrangement, RWF 270	Ref.	C	
	720E0075	General Arrangement, RWF 316 and 399	Ref.	B	
	720E0076	General Arrangement, RWF 480	Ref.	B	
-1	-	Compressor, SGC (See Fig. 2)	Ref.		
-2	-	Coupling (See Fig. 12)	Ref.		
-3	Contact Frick	Motor	1		
-4	Contact Frick	Starter, Solid State	1		
-5	640D0133G01	Control Panel, Quantum™ (1)	1		
-6	720M0166G01	Valve Assembly, Suction Stop/Check, 5", 100	Ref.		
	720M0167G01	Valve Assembly, Suction Stop/Check, 6",134-177	Ref.		
	720M0187G01	Valve Assembly, Suction Stop/Check, 6" w/adaptor plate, 222	Ref.		
	720M0182G01	Valve Assembly, Suction Stop/Check, 8", 270 & 316	Ref.		
	720M0182G02	Valve Assembly, Suction Stop/Check, 8", 399-480	Ref.		
	950A0208G01	Valve Assbly, Gram, 5", w/flange (100)	1		
	950A0209G01	Valve Assbly, Gram, 6", w/flange (134-222)	1		
	950A0210G01	Valve Assbly, Gram, 8", w/flange (270 & 316)	1		
	535C0512G01	Valve Assbly, Gram, 10 x 8", w/flange (399)	1		
	82411535509	Valve, Angle, Gram, Stop, 5", HW, WIL, (See Fig. 8)	1		
	82412535609	Valve, Angle, Gram, Stop, 6", HW, WIL, (See Fig. 8)	1		
	82413535809	Valve, Angle, Gram, Stop, 8", HW, WIL, (See Fig. 8)	1		
	956A0033H01	Valve, Swing, Check, 5" (100)	1		
	956A0033H02	Valve, Swing, Check, 6" (134-222)	1		
	956A0033H03	Valve, Swing, Check, 8" (270 & 316)	1		
	956A0033H04	Valve, Swing, Check, 10" (399)	1		
	959A0054H31	Gasket, Flange, 5" (100)	2		
	959A0054H32	Gasket, Flange, 6" (134-222)	2		
	959A0054H33	Gasket, Flange, 8" (270 & 316)	2		
	959A0054H34	Gasket, Flange, 10" (399)	2		
	950A0260G01	Valve Assbly, Danfoss, 5", w/flange (100)	1		
	950A0261G01	Valve Assbly, Danfoss, 6", w/flange (134-177)	1		
	950A0261G03	Valve Assbly, Danfoss, 6", w/flange (222)	1		
	950A0262G01	Valve Assbly, Danfoss, 8", w/flange (270-316)	1		
	582C0034G01	Valve Assbly, Danfoss, 10 x 8", w/flange (399-480)	1		
	950A0240H10	Valve, Angle, Danfoss, 5", HW, WIL	1		
	950A0240H11	Valve, Angle, Danfoss, 6", HW, WIL	1		
	950A0240H12	Valve, Angle, Danfoss, 8", HW, WIL	1		
	956A0033H01	Valve, Swing, Check, 5" (100)	1		
	956A0033H02	Valve, Swing, Check, 6" (134-222)	1		
	956A0033H03	Valve, Swing, Check, 8" (270 & 316)	1		
	956A0033H04	Valve, Swing, Check, 10" (399-480)	1		
	959A0054H31	Gasket, Flange, 5" (100)	1		
	959A0054H32	Gasket, Flange, 6" (134-177)	1		
	959A0054H32	Gasket, Flange, 6" (222)	2		
	959A0054H33	Gasket, Flange, 8" (222)	1		
	959A0054H33	Gasket, Flange, 8" (270-316)	2		
	959A0054H34	Gasket, Flange, 10" (399-480)	1		
	959A0098H01	Gasket, Flange, 10" (399-480)	1		
	913A0146H01	Transducer, Pressure, 0-200 PSIA	1		PE-4

(1) See Quantum™ LX Manual S90-020 Maintenance, Recommended Spare Parts.

RWF ROTARY SCREW COMPRESSOR UNIT
SERVICE PARTS LIST



FIG. & INDEX	ITEM NUMBER	DESCRIPTION	QTY.	REV.	P & I REF.
1-	-	General Arrangement, Continued			
-7	581C0158G01	Valve Assbly, Gram Disch. Stop/Check, 4" HW (High Stage)	1		
	581C0158G03	Valve Assbly, Gram Disch. Stop/Check, 4" HW (Booster)	1		
	581C0159G01	Valve Assbly, Gram Disch. Stop/Check, 5" HW (High Stage)	1		
	581C0159G03	Valve Assbly, Gram Disch. Stop/Check, 5" HW (Booster)	1		
	581C0160G01	Valve Assbly, Gram Disch. Stop/Check, 6" HW (High Stage)	1		
	581C0160G03	Valve Assbly, Gram Disch. Stop/Check, 6" HW (Booster)	1		
	581C0168G01	Valve Assbly, Gram Disch. Stop/Check, 8" HW (High Stage)	1		
	581C0168G03	Valve Assbly, Gram Disch. Stop/Check, 8" HW (Booster)	1		
	82410535409	Valve, Angle, Stop, 4", HW (See Fig. 8)	1		
	82411535509	Valve, Angle, Stop, 5", HW (See Fig. 8)	1		
	82412535609	Valve, Angle, Stop, 6", HW (See Fig. 8)	1		
	82413535809	Valve, Angle, Stop, 8", HW (See Fig. 8)	1		
	82452022400	Valve, Pressure Restricting, 4" (High Stage)*	1		
	82452023400	Valve, Pressure Restricting, 4" (Booster)*	1		
	82452022500	Valve, Pressure Restricting, 5" (High Stage)*	1		
	82452023500	Valve, Pressure Restricting, 5" (Booster)*	1		
	82452022600	Valve, Pressure Restricting, 6" (High Stage)*	1		
	82452023600	Valve, Pressure Restricting, 6" (Booster)*	1		
	82452022800	Valve, Pressure Restricting, 8" (High Stage)*	1		
	82452023800	Valve, Pressure Restricting, 8" (Booster)*	1		
	582C0030G01	Valve Assbly, Danfoss, Disch. Stop/Check, 4" HW (High Stage)	1		
	582C0030G03	Valve Assbly, Danfoss, Disch. Stop/Check, 4" HW (Booster)	1		
	582C0031G01	Valve Assbly, Danfoss, Disch. Stop/Check, 5" HW (High Stage)	1		
	582C0031G03	Valve Assbly, Danfoss, Disch. Stop/Check, 5" HW (Booster)	1		
	582C0032G01	Valve Assbly, Danfoss, Disch. Stop/Check, 6" HW (High Stage)	1		
	582C0032G03	Valve Assbly, Danfoss, Disch. Stop/Check, 6" HW (Booster)	1		
	950A0240H09	Valve, Angle, Stop, 4", HW (See Fig. 9)	1		
	950A0240H10	Valve, Angle, Stop, 5", HW (See Fig. 9)	1		
	950A0240H11	Valve, Angle, Stop, 6", HW (See Fig. 9)	1		
	956A0045H01	Valve, GVD Check, 4" (High Stage)	1		
	956A0045H02	Valve, GVD Check, 4" (Booster)	1		
	956A0046H01	Valve, GVD Check, 5" (High Stage)	1		
	956A0046H02	Valve, GVD Check, 5" (Booster)	1		
	956A0047H01	Valve, GVD Check, 6" (High Stage)	1		
	956A0047H02	Valve, GVD Check, 6" (Booster)	1		
-8	-	Assembly, Filter, Oil, Single (See Fig. 4)	Ref.		
	-	Assembly, Filter, Oil, Dual (See Fig. 5)	Ref.		
-9	-	Assembly, Oil Separator (See Fig. 3)	Ref.		
-10	720D0281	Oil Pump, 100 & 134 (See Fig. 11)	Ref.		
	720D0292	Oil Pump, 177 & 222 (See Fig. 11)	Ref.		
	720D0307	Oil Pump, 270 (See Fig. 11)	Ref.		
	720D0319	Oil Pump, 316 & 399 (See Fig. 11)	Ref.		

* Contact Frick before servicing.

This page left blank intentionally.

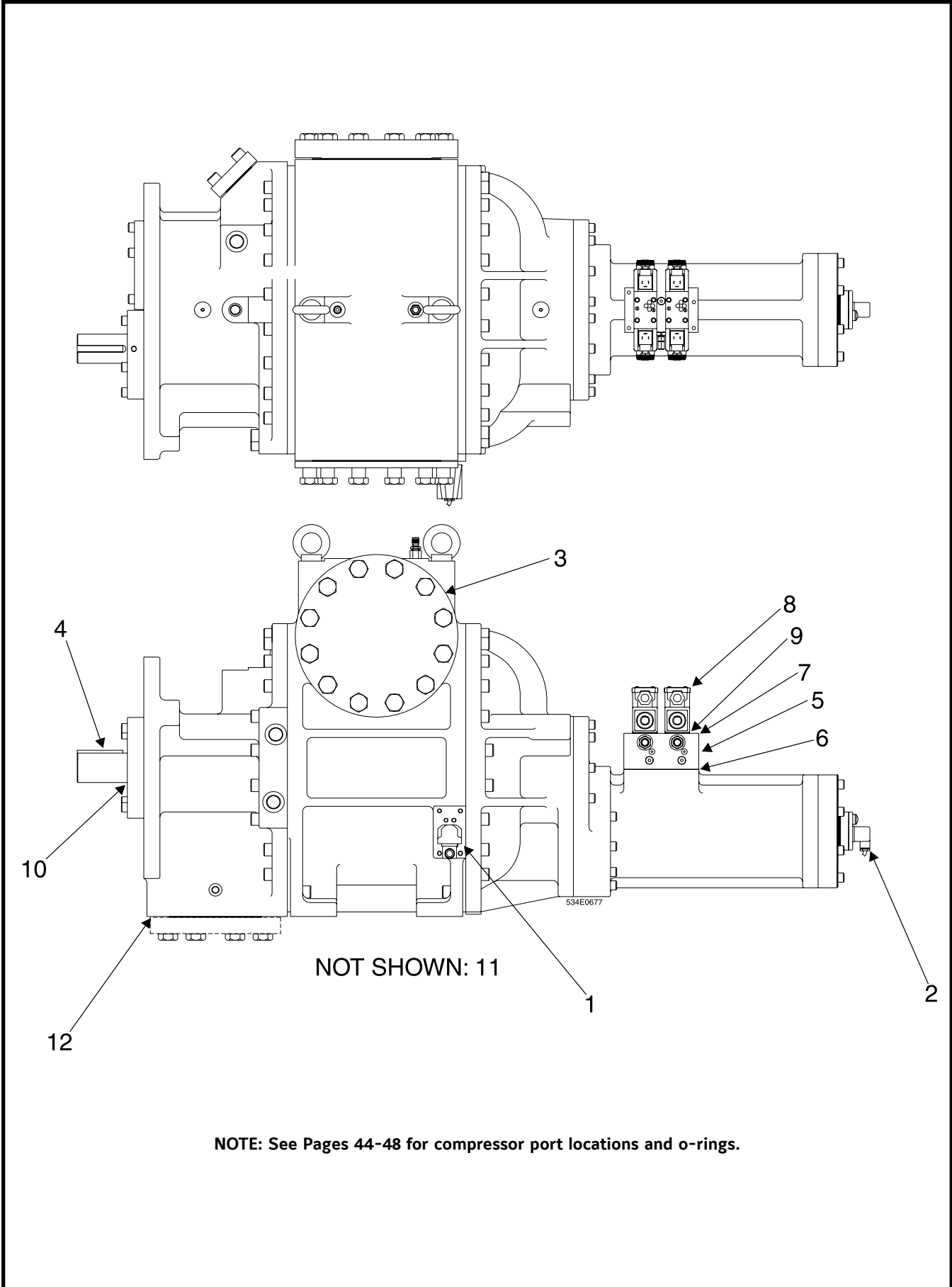


Figure 2. Screw Compressor, Typical (1913/1918 shown).

FIG. & INDEX	ITEM NUMBER	DESCRIPTION	QTY.	REV.	P & I REF.
2-	534E0672G01	Screw Compressor Assembly, SGC 1913 (RWF 100)	Ref.	M	
	534E0672G02	Screw Compressor Assembly, SGC 1918 (RWF 134)	Ref.	M	
	534E0697G01	Screw Compressor Assembly, SGC 2313 (RWF 177)	Ref.	M	
	534E0697G02	Screw Compressor Assembly, SGC 2317 (RWF 222)	Ref.	M	
	534E0708G02	Screw Compressor Assembly, SGC 2321 (RWF 270)	Ref.	K	
	534E0753G01	Screw Compressor Assembly, SGC 2813 (RWF 316)	Ref.	E	
	534E0753G02	Screw Compressor Assembly, SGC 2817 (RWF 399)	Ref.	E	
	534D1270G01	Screw Compressor Assembly, SGC 2821 (RWF 480)	Ref.	B	
-1	534C1478H01	Assembly, Transmitter, Linear* (Slide Stop)	1		
	534C1478H02	Transmitter, Linear (less well)	1		
	534C1314H01	Rod, Indicator	1		
	534A0032H02	Spring	1		
-2	980A0014K60	O-ring	1		
	534D1251H01	Assembly, Slide Valve Linear Transmitter*, (current, shown)	1		
	534D1251H03	Transmitter, Linear (less well)	1		
	534D0523G02	Kit, Slide Valve Potentiometer (early)	1		
	534B0501H01	Potentiometer	1		
	534A0046H01	Gasket, Cover	1		
	111Q0451313	Coupling, Flexible	1		
	534B0062C01	Cover, Pot	1		
-3	913A0095H01	Cable, Slide Valve Potentiometer	1		
	534C1264H01	Strainer, Suction, 1913	1		
	959A0054H31	Gasket, Flange, 1913	2		
	534C1264H02	Strainer, Suction, 1918 & 2313	1		
	959A0054H32	Gasket, Flange, 1918 & 2313	1-3		
	534C1264H03	Strainer, Suction, 2317 & 2321	1		
	959A0054H33	Gasket, Flange, 2317 & 2321	2		
	534C1264H05	Strainer, Suction, 2813	1		
	959A0054H33	Gasket, Flange, 2813	3		
	534C1264H04	Strainer, Suction, 2817, 2821	1		
-4	959A0054H34	Gasket, Flange, 2817, 2821	2		
	534A0662H02	Key, Square, 1913 & 1918	1		
	534A0662H03	Key, Square, 2313, 2317 & 2321	1		
	534A0662H04	Key, Square, 2813, 2817 & 2821	1		
-5	535E0113H01	Block, Manifold	1		
	535E0113H11	Valve, Needle, Flow Regulator	5		
-6	980A0014A60	O-ring, Manifold Block to Compressor	4		
-7	901A0202H20	Capscrew, Socket Head, Manifold Block to Compressor	4		
-8	951A0092H01	Assembly, Valve w/DIN Connector, 120V 60Hz, 110V 50Hz*	2		
	951A0092H04	Coil, 120V 60Hz, 110V 50Hz	4		
	951A0092H02	Assembly, Valve w/DIN Connector, 220V 50Hz, 240V 60Hz*	2		
	951A0092H05	Coil, 220V 50Hz, 240V 60Hz	4		
	951A0092H03	Assembly, Valve w/DIN Connector, 240V 50Hz*	2		
	951A0092H06	Coil, 240V 50Hz	4		
-9	951A0056H34	Seal Kit, Valve	2		
	333Q0000517	Kit, Mounting Hardware, Solenoid Valve to Manifold Block	2		
-10	534M0163G02	Kit, Shaft Seal, 1913 & 1918	1		
	534M0163G03	Kit, Shaft Seal, 2313, 2317 & 2321	1		
	534M0163G04	Kit, Shaft Seal, 2813, 2817 & 2821	1		
-11	913A0146H02	Transducer, Pressure, 0-500 PSIA	1		
-12	959A0054H30	Gasket, Discharge, 1913 & 1918	1		
	959A0054H32	Gasket, Discharge, 2313, 2317, 2321	1		
	959A0054H33	Gasket, Discharge, 2813 & 2817	1		

PE-3

* DIN Cable Connector: 649A0890H01. DIN 1/2" NPTF Connector: 649A0890H02. DIN Gasket: 649A0890H11

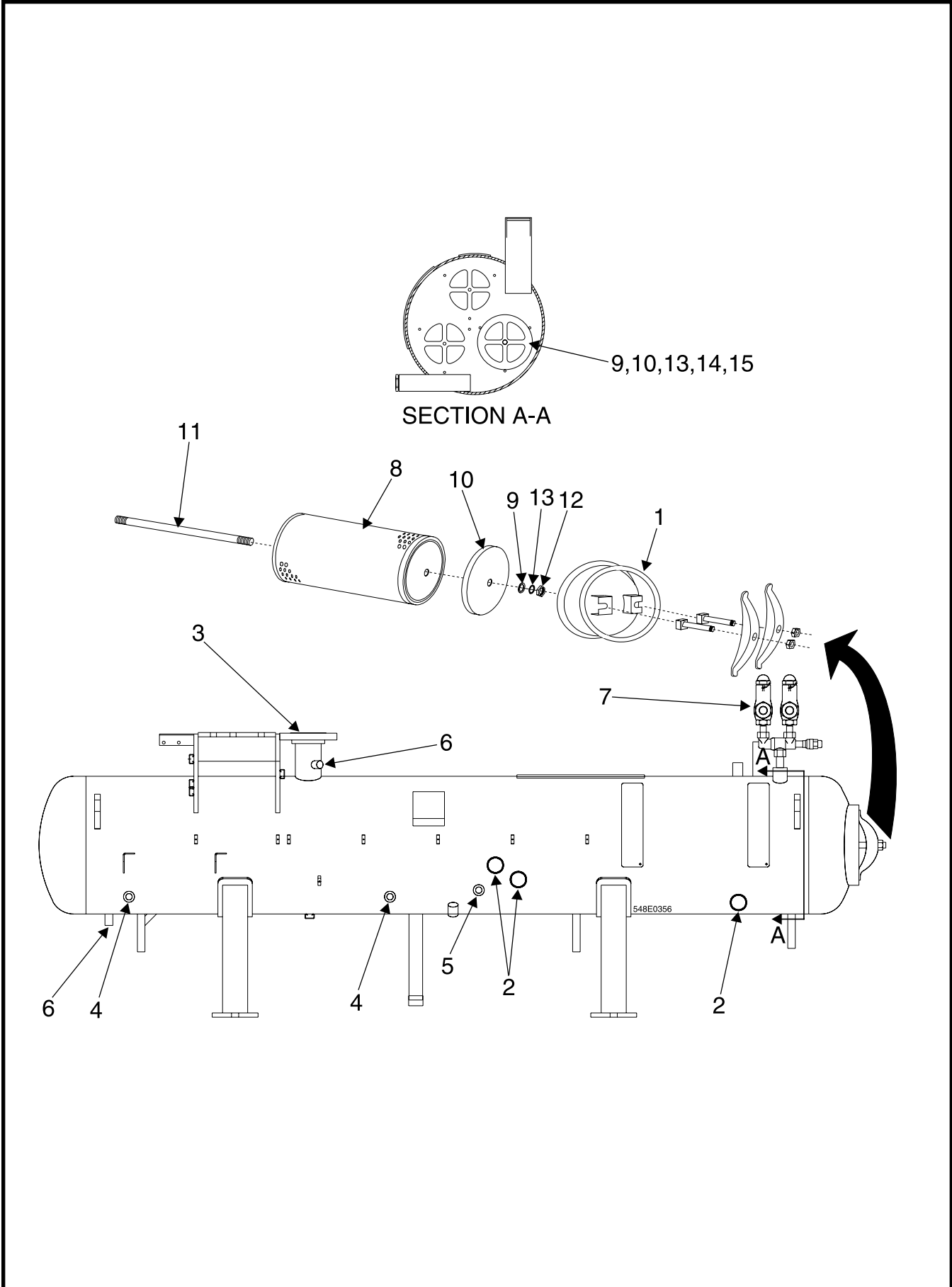


Figure 3. Oil Separator, Typical (24 x 142 3/8" shown).

FIG. & INDEX	ITEM NUMBER	DESCRIPTION	QTY.	REV.	P & I REF.
3-	548E0356	Assembly, Oil Separator, 24 x 142 3/8", 100 & 134	Ref.	L	
	548E0357	Assembly, Oil Separator, 30 x 169 3/8", 177 & 222	Ref.	K	
	548E0358	Assembly, Oil Separator, 36 x 188 1/2", 270	Ref.	F	
	548E0361	Assembly, Oil Separator, 36 x 188 1/2", 316 & 399	Ref.	F	
	548E0362	Assembly, Oil Separator, 42 x 192 13/16, 480	Ref.	E	
-1	531A0105H04	Gasket, Manway, 12 x 16"	1		
-2	947A0003H01	Sightglass, Ball Float	3		
-3	959A0054H30	Gasket, Compressor to Separator, 100 & 134	1		
	959A0054H32	Gasket, Compressor to Separator, 177-270	1		
	959A0054H33	Gasket, Compressor to Separator, 316 & 480	1		
-4	913A0092G01	Assembly, Oil Heater, 500W/120V	3		
	913A0047H01	Heater, Oil, 500W/120V	3		
	333Q0001810	Connector, DIN	3		
	913A0092G02	Assembly, Oil Heater, 1000W/120V	3		
	913A0047H02	Heater, Oil, 1000W/120V	3		
	333Q0001810	Connector, DIN	3		
	913A0092G03	Assembly, Oil Heater, 500W/240V	3		
	913A0047H03	Heater, Oil, 500W/240V	3		
	333Q0001810	Connector, DIN	3		
	913A0092G04	Assembly, Oil Heater, 1000W/240V	3		
	913A0047H04	Heater, Oil, 1000W/240V	3		
	333Q0001810	Connector, DIN	3		
-5	913A0123H01	Assembly, Switch, Oil Level Sensing, 24V	1		
	913A0123H11	Sensor Probe less Well	1		
	913A0123H12	Well only	1		
-6	639A0152H01	Temperature Sensor ⁽¹⁾	4		TE
	913A0098H01	Well, with cap	1		
	913A0100H01	Thermal Compound	A/R		
-7	580C0358G09	Assembly, Dual Safety Valve, 100-399	1		PSV-1
	955A0012H01	Manifold, Valve, 1/2"	1		
	952A0019H10	Valve, Safety, 1/2", Shank 803-EX, 300 PSIG ⁽²⁾	2		
	580C0357G09	Assembly, Dual Safety Valve, 177-399	1		PSV-1
	955A0012H02	Manifold, Valve, 3/4"	1		
	952A0020H10	Valve, Safety, 3/4", Shank 804-TJ, 300 PSIG ⁽²⁾	2		
	580C0361G09	Assembly, Dual Safety Valve, 270-399	1		PSV-1
	955A0023H01	Manifold, Valve, R.S. M3	1		
	952A0021H09	Valve, Safety, R.S. H3, 300 PSIG ⁽²⁾	2		
	580C0362G09	Assembly, Dual Safety Valve, 480	1		
	955A0024H01	Manifold, Valve, R.S. H4	1		
	952A0022H09	Valve, Safety, R.S. H5, 300 PSIG ⁽²⁾	2		
	580C0400G10	Assembly, Dual Safety Valve, 1/2", 100-480	1		PSV-1
	955A0012H01	Manifold, Valve, 1/2"	1		
	952A0051H10	Valve, Safety, 1/2 x 1": FPT, Shank 813, 300 PSIG ⁽²⁾	2		

1. 913A0101H01 was the first temp. probe assbly. used (well, 913A0098H01 was included). This was replaced with assbly. 913A0097G01 that was superceded by assemblies 639A0151G01 or 639A0152H01. See letter NS-11-05 for complete explanation and description of temperature probes used.

2. Shank 813, 814, 815, 851, and 903 valves usage began in May 2002. Shank 813 valves are a direct replacement for Shank 803 valves. Shank 814 valves are a direct replacement for Shank 804 valves. Contact Frick Service for larger valves.

RWF ROTARY SCREW COMPRESSOR UNIT
SERVICE PARTS LIST



FIG. & INDEX	ITEM NUMBER	DESCRIPTION	QTY.	REV.	P & I REF.
3-	-	Assembly, Oil Separator (continued)	Ref.		
	580C0401G10	Assembly, Dual Safety Valve, 3/4", 222-480	1		PSV-1
	955A0012H02	Manifold, Valve, 3/4"	1		
	952A0052H10	Valve, Safety, 3/4 x 1-1/4" FPT, Shank 814, 300 PSIG ⁽²⁾	2		
-7	580C0402G10	Assembly, Dual Safety Valve, 1", 399-480	1		PSV-1
	955A0012H03	Manifold, Valve, 1"	1		
	952A0053H10	Valve, Safety, 1 x 1-1/2" FPT, Shank 815, 300 PSIG ⁽²⁾	2		
	580C0404G07	Assembly, Dual Safety Valve, 1", 480	1		PSV-1
	955B0001H02	Manifold, 1-1/4 PIPE x 1" FPT	1		
	952A0055H07	Valve, Safety, 1 x 2" NPT, Shank 851, 300 PSIG ⁽²⁾	2		
	580C0407G07	Assembly, Dual Safety Valve, 1-1/2"	1		PSV-1
	955B0002H02	Manifold, 2" PIPE x 1-1/2 FPT	1		
	952A0058H07	Valve, Safety, 1-1/2 x 2" FPT, Shank 903, 300 PSIG ⁽²⁾	2		
-8	531B0099H01	Filter, Coalescing, Convoluted, 100 & 134	3		
	531B0099H01	Filter, Coalescing, Convoluted, 177 & 222	4		
	531B0099H01	Filter, Coalescing, Convoluted, 270-399	5		
	531B0099H01	Filter, Coalescing, Convoluted, 480 ⁽³⁾	6		
-9	540D0217H06	Washer, Seal	1 per		
-10	540D0217G02	Retainer, Filter (end plate)	1 per		
-11	540D0217G03	Stud 1/2-13NC x 37"	1 per		
-12	902A0021H01	Nut, Hex 1/2-13NC	1 per		
-13	905A0012H05	Washer 1/2"	1 per		
-14	901A0045D04	Capscrew, Hex Head, 1/4 x 1-1/4"	1 per		
-15	959A0065H02	Gasket, 9-3/8 OD (for unused coalescer filter opening)	1 per		
<p>2. Shank 813, 814, 815, 851, and 903 valves usage began in May 2002. Shank 813 valves are a direct replacement for Shank 803 valves. Shank 814 valves are a direct replacement for Shank 804 valves. Contact Frick Service for larger valves.</p> <p>3. Quantity of coalescing filters may be five, depending on operating conditions of your unit.</p>					

This page left blank intentionally.

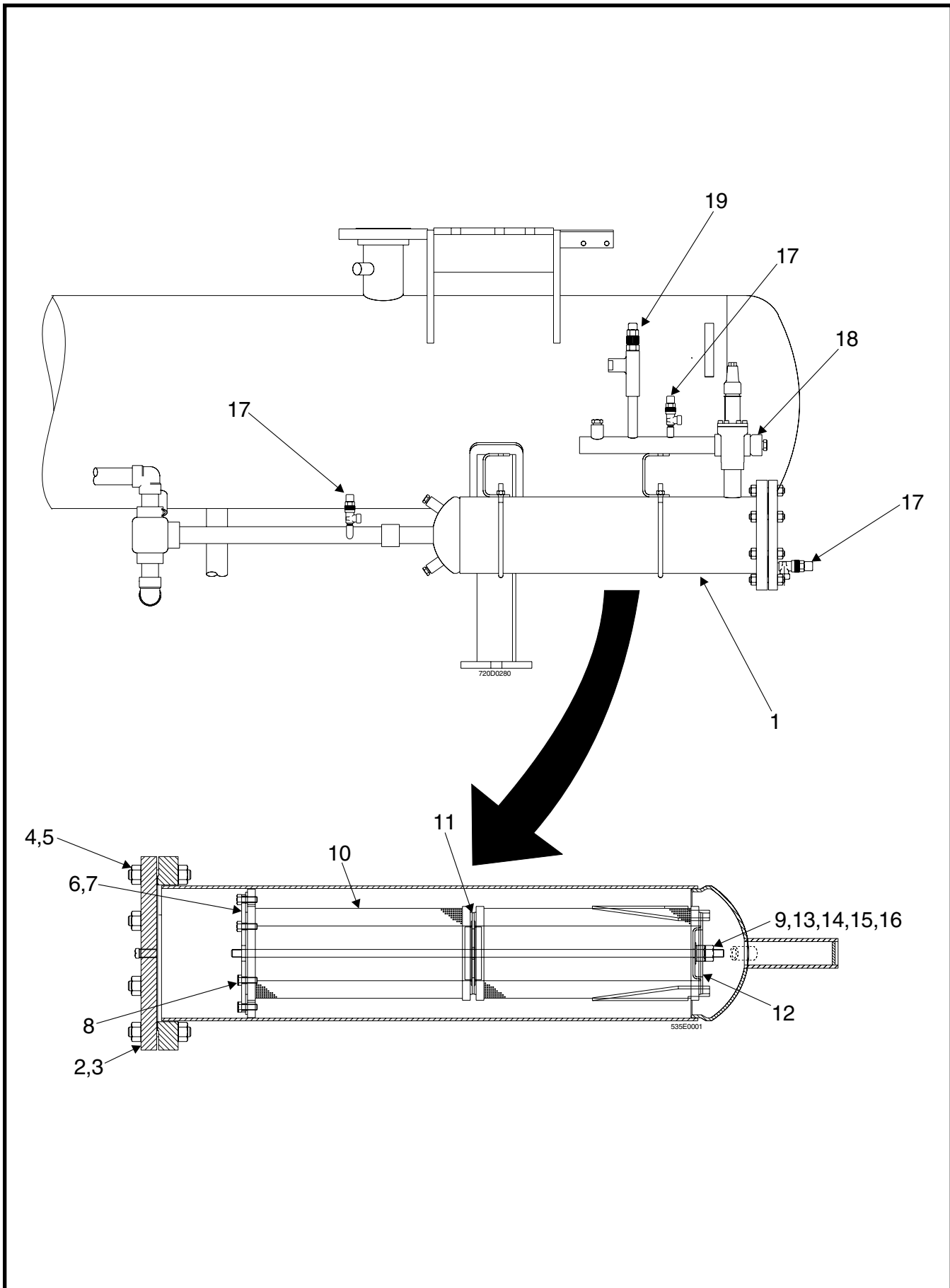


Figure 4. Oil Filter, Typical (100/134 shown).

FIG. & INDEX	ITEM NUMBER	DESCRIPTION	QTY.	REV.	P & I REF.
4-	720D0280	Assembly, Single Oil Filter, 100 & 134	Ref.	C	
	720D0291	Assembly, Single Oil Filter, 177 & 222	Ref.	C	
	720D0306	Assembly, Single Oil Filter, 270-399	Ref.	D	
	720D0331	Assembly, Single Oil Filter, 480	Ref.	A	
-1	553E0001	Assembly, Filter, 100 & 134	1		
	553E0004	Assembly, Filter, 177 & 222	1		
	553E0003	Assembly, Filter, 270-480	1		
-2	959A0082H01	Gasket	1		
-3	553A0001H01	Cover, End	1		
-4	901A0098H11	Stud, 5/8-11 x 4"	8		
-5	902A0021H03	Nut, 5/8-11 UNC	16		
-6	535A0144H01	Plate, Clamping	1		
-7	959A0053H01	Gasket	1		
-8	901A0043D05	Capscrew, Hex Head, 3/8-16 x 1"	6		
-9	333Q0001268	Rod, Threaded, 1/2-13 x 31-1/2"	1		
-10	531A0218H01	Element, SuperFilter™ (Required for 1-2-3 Warranty)	2-3		
-11	900A0007H01	Seal, Center	1-2		
-12	900A0008H01	Yoke, Bottom	1		
-13	333Q0001236	Gasket	1		
-14	905A0007H05	Washer, Flat, 1/2"	1		
-15	333Q0001237	Washer, Starlock, 1/2"	1		
-16	902A0021H01	Nut, 1/2-13 UNC	2		
-17	957A0003H01	Valve, Angle, SC, 1/4" NPT	3		
	913A0146H02	Transducer, Pressure, 0-500 PSIA	2		
-18	82406549809	Valve, Angle, Gram, SC, 1-1/2" SW, 100 & 134	1		PE-1,2
	82407549909	Valve, Angle, Gram, SC, 2" SW, 177 & 222	1		
	82408536209	Valve, Angle, Gram, SC, 2-1/2" BW, 270-399	1		
	950A0233H05	Valve, Angle, Danfoss, SC, 1-1/2" SW, 100 & 134	1		
	950A0233H06	Valve, Angle, Danfoss, SC, 2" SW, 177 & 222	1		
	950A0241H07	Valve, Angle, Danfoss, SC, 2-1/2" BW, 270-480	1		
-19	954A0059H01	Valve, Angle, SC, Hansen, Hand Exp., 1" SW, 100-222	1		
	954A0047H01	Valve, Angle, SC, Hansen, Hand Exp., 1-1/2" SW, 270-480	1		

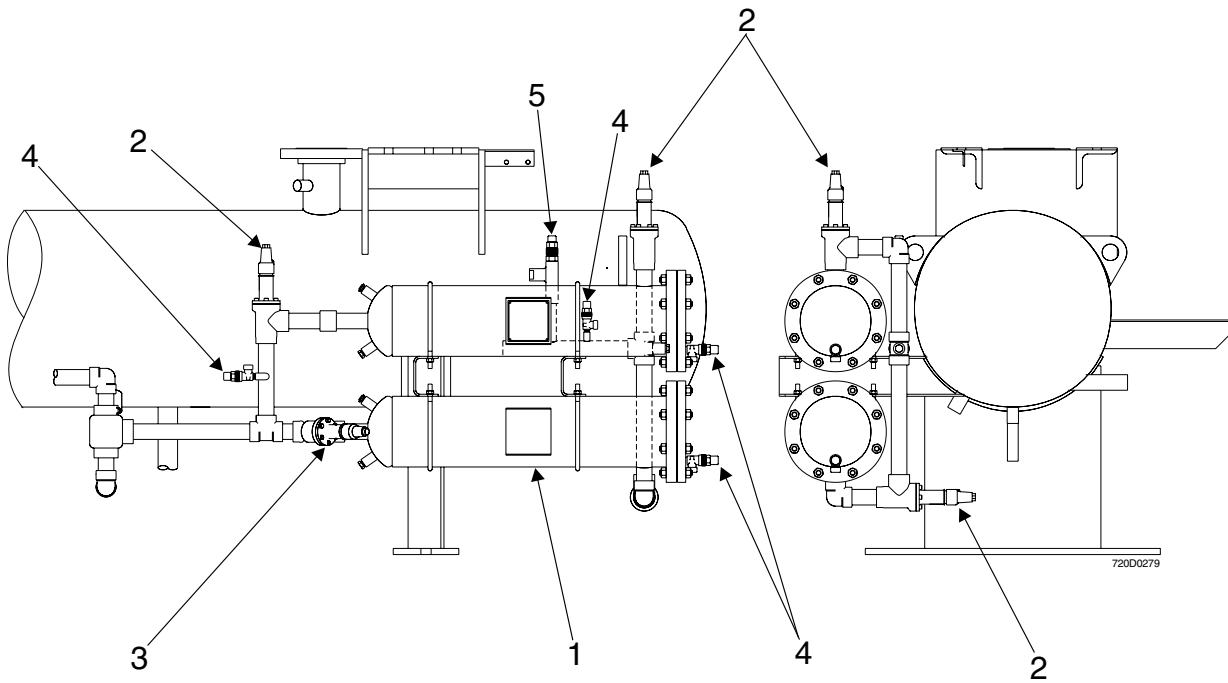


Figure 5. Dual Oil Filters, Typical (100/134 shown).

FIG. & INDEX	ITEM NUMBER	DESCRIPTION	QTY.	REV.	P & I REF.
5-	720D0279	Dual Oil Filters, 100 and 134	Ref.	C	
	720D0290	Dual Oil Filters, 177 and 222	Ref.	C	
	720D0305	Dual Oil Filters, 270-399	Ref.	D	
	720D0330	Dual Oil Filters, 480	Ref.	A	
-1	553E0001	Assembly, Filter, 100 & 134 (See Figure 4)	2		
	553E0004	Assembly, Filter, 177 & 222 (See Figure 4)	2		
	553E0003	Assembly, Filter, 270-480 (See Figure 4)	2		
-2	82406549809	Valve, Angle, Gram, SC, 1-1/2" SW, 100 & 134	3		
	82407549909	Valve, Angle, Gram, SC, 2" SW, 177 & 222	3		
	82408536209	Valve, Angle, Gram, SC, 2-1/2" BW, 270-399	3		
	950A0233H05	Valve, Angle, Danfoss, SC, 1-1/2" SW, 100 & 134	3		
	950A0233H06	Valve, Angle, Danfoss, SC, 2" SW, 177 & 222	3		
	950A0241H07	Valve, Angle, Danfoss, SC, 2-1/2" BW, 270-480	3		
-3	82406551209	Valve, Globe, Gram, SC, 1-1/2" SW, 100 & 134	1		
	82407551309	Valve, Globe, Gram, SC, 2" SW, 177 & 222	1		
	82408538209	Valve, Globe, Gram, SC, 2-1/2" BW, 270-399	1		
	950A0245H05	Valve, Globe, Danfoss, SC, 1-1/2" SW, 100 & 134	1		
	950A0245H06	Valve, Globe, Danfoss, SC, 2" SW, 177 & 222	1		
	950A0253H07	Valve, Globe, Danfoss, SC, 2-1/2" BW, 270-480	1		
-4	957A0003H01	Valve, Angle, Gram, SC, 1/4" NPT	4		
	913A0146H02	Transducer, Pressure, 0-500 PSIA	2		
-5	954A0059H01	Valve, Angle, SC, Hansen, Hand Exp., 1" SW, 100-222	1		
	954A0047H01	Valve, Angle, SC, Hansen, Hand Exp., 1-1/2" SW, 270-480	1		

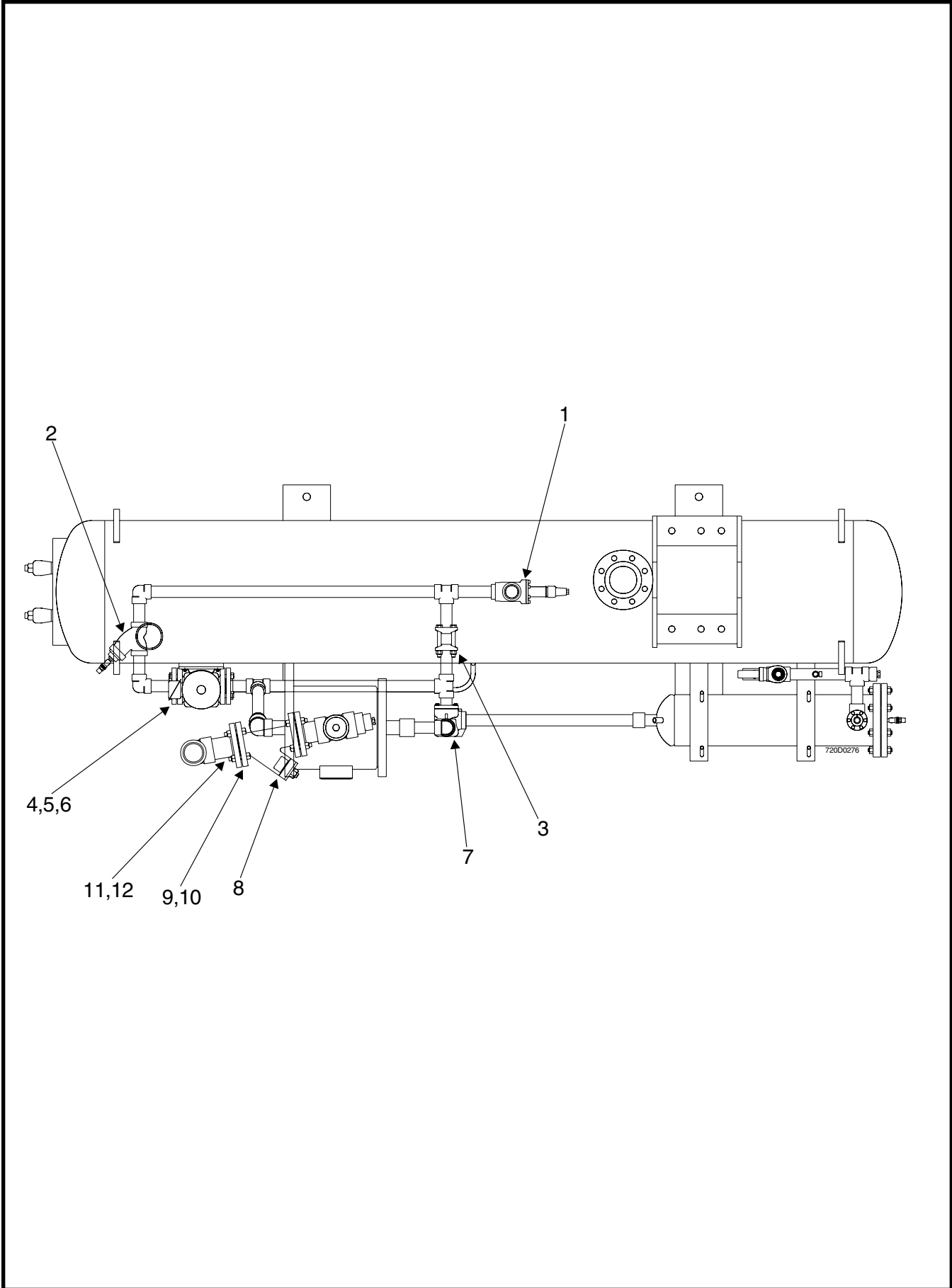


Figure 6. Oil Cooler Piping, Typical (116 Plate WCOC Shown).

FIG. & INDEX	ITEM NUMBER	DESCRIPTION	QTY.	REV.	P & I REF.
6-	-	Mounting and Piping Plate WCOC	Ref.		
	-	WCOC with Temp. Control Valve & Oil Pump	Ref.		
	-	Mounting and Piping TSOC with Pump	Ref.		
	-	TSOC with Temp. Control Valve and Oil Pump	Ref.		
	-	Mounting and Piping WCOC with Pump	Ref.		
-1	82407549909	Valve, Angle, Gram, Shutoff, 2" SW, SC	1		
	82408536209	Valve, Angle, Gram, Shutoff, 2-1/2" BW, SC	1		
	950A0233H06	Valve, Angle, Danfoss, Shutoff, 2" SW, SC	1		
	950A0241H07	Valve, Angle, Danfoss, Shutoff, 2-1/2" BW, SC	1		
-2	950A0069H07	Strainer, 1-1/2", SW	1		
	950A0069H25	Gasket, Strainer, 1-1/2 & 2"	1		
	950A0069H37	Screen, Strainer, 1-1/2"	1		
	950A0069H08	Strainer, 2", SW	1		
	950A0069H25	Gasket, Strainer, 1-1/2 & 2"	1		
	950A0069H38	Screen, Strainer, 2"	1		
	957A0003H01	Valve, Angle, SC, 1/4" NPT	1		
	950A0055H07	Strainer, 2-1/2", SW	1		
	950A0055H27	Kit, Screen, Strainer, 2-1/2"	1		
	957A0003H01	Valve, Angle, SC, 1/4" NPT	1		
	950A0055H16	Gasket, Flange	2		
-3	956A0012G03	Valve, Check, 1-1/2" SW	1		
	956A9912G01	Valve, Check, 2" SW	1		
	956A0012G05	Valve, Check, 2-1/2" SW	1		
-4	944A0108H05	Flange, 1-1/2" SW, 300#	2		
	944A0108H07	Flange, 2-1/2" SW, 300#	2		
-5	959A0054H25	Gasket, 1-1/2" SW, 300# Flange	2		
	959A0054H27	Gasket, 2-1/2" SW, 300# Flange	2		
-6	901A0172H03	Kit, Flange Bolt, 1-1/2", 300#	2		
	901A0172H05	Kit, Flange Bolt, 2-1/2", 300#	2		
-7	950A0195H01	Valve, Temperature Control, 1-1/2"	1		
	950A0195H11	Kit, Service, Temperature Control Valve, 1-1/2 & 2" *	1		
	950A0195H02	Valve, Temperature Control, 2"	1		
	950A0195H11	Kit, Service, Temperature Control Valve, 1-1/2 & 2" *	1		
	950A0222H01	Valve, Temperature Control, 2-1/2"	1		
	950A0222H11	Kit, Service, Temperature Control Valve, 2-1/2" *	1		
-8	950A0075H06	Strainer, 2", 150# Flange, WCOC	1		
	950A0075H26	Screen, 2" Strainer	1		
	950A0075H46	Gasket, 2" Strainer	1		
	950A0075H08	Strainer, 3", 150# Flange, WCOC	1		
	950A0075H28	Screen, 3" Strainer	1		
	950A0075H48	Gasket, 3" Strainer	1		
	950A0075H09	Strainer, 4", 150# Flange, WCOC	1		
	950A0075H29	Screen, 4" Strainer	1		
	950A0075H49	Gasket, 4" Strainer	1		

* Kit includes thermostat and gasket

RWF ROTARY SCREW COMPRESSOR UNIT
SERVICE PARTS LIST



FIG. & INDEX	ITEM NUMBER	DESCRIPTION	QTY.	REV.	P & I REF.
-6	-	Oil Cooler Piping, Continued	Ref.		
-9	944A0126H06	Flange, 2", SW, 150#, WCOC	2		
	944A0126H08	Flange, 3", SW, 150#, WCOC	2		
-10	959A0054H06	Gasket, Flange, Strainer, 2", WCOC	2		
	959A0054H08	Gasket, Flange, Strainer, 3", WCOC	2		
-11	901A0046D08	Capscrew, Hex Head, 5/8 x 2-3/4" (2" Flange)	8		
	901A0046D09	Capscrew, Hex Head, 5/8 x 3" (3" Flange)	8		
-12	902A0021H03	Nut, Hi-tensile, 5/8-11"	8		

This page left blank intentionally.

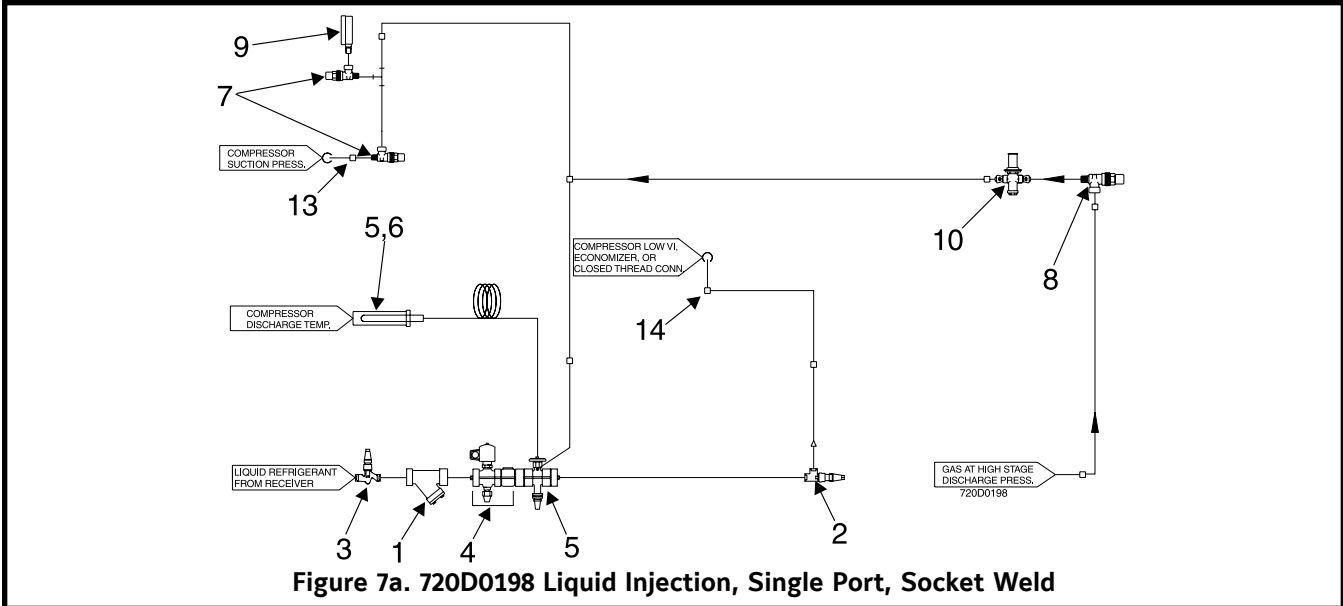


Figure 7a. 720D0198 Liquid Injection, Single Port, Socket Weld

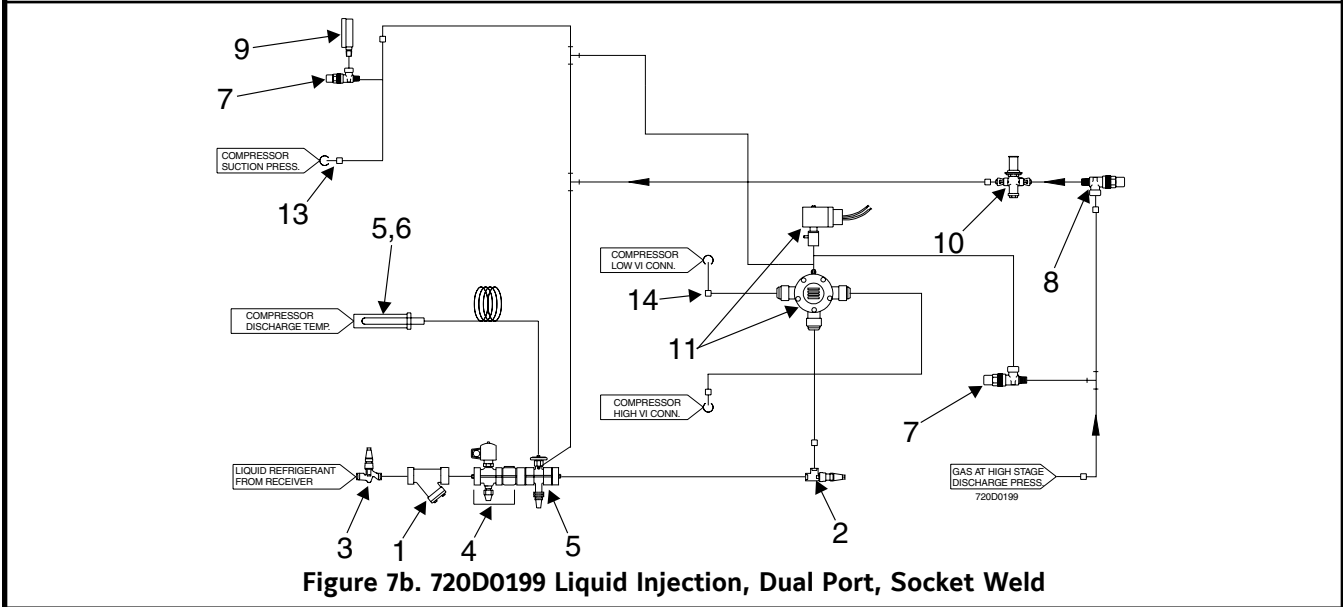


Figure 7b. 720D0199 Liquid Injection, Dual Port, Socket Weld

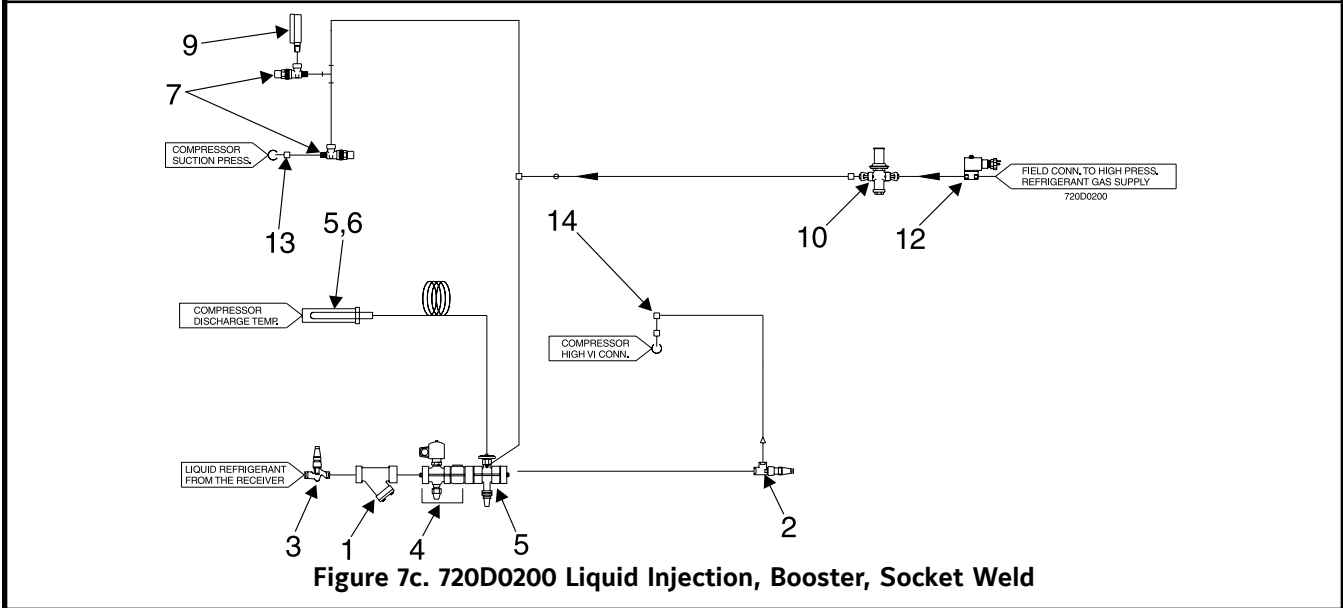


Figure 7c. 720D0200 Liquid Injection, Booster, Socket Weld

Figure 7. Liquid Injection.

FIG. & INDEX	ITEM NUMBER	DESCRIPTION	QTY.	REV.	P & I REF.
7-	720D0198	Liquid Injection, Single Port, Socket Weld	Ref.	D	
	720D0199	Liquid Injection, Dual Port, Socket Weld	Ref.	E	
	720D0200	Liquid Injection, Booster, Socket Weld	Ref.	D	
-1	950A0069H03	Strainer, 1/2"	1		
	950A0069H21	Gasket	1		
	950A0069H33	Screen	1		
	950A0069H04	Strainer, 3/4"	1		
	950A0069H22	Gasket	1		
	950A0069H34	Screen	1		
	950A0069H05	Strainer, 1"	1		
	950A0069H23	Gasket	1		
	950A0069H35	Screen	1		
-2	950A0117H02	Valve, Angle, Herl, SC, 1/2" SW	1		
	950A0119H02	Valve, Angle, Herl, SC, 3/4" SW	1		
	950A0121H02	Valve, Angle, Herl, SC, 1" SW	1		
	82402549409	Valve, Angle, Gram, SC, 1/2" SW	1		
	82403549509	Valve, Angle, Gram, SC, 3/4" SW	1		
	82404549609	Valve, Angle, Gram, SC, 1" SW	1		
	950A0233H01	Valve, Angle, Danfoss, SC, 1/2" SW	1		
	950A0233H02	Valve, Angle, Danfoss, SC, 3/4" SW	1		
	950A0233H03	Valve, Angle, Danfoss, SC, 1" SW	1		
-3	950A0118H02	Valve, Globe, Herl, SC, 1/2" SW	1		
	950A0120H02	Valve, Globe, Herl, SC, 3/4" SW	1		
	950A0122H02	Valve, Globe, Herl, SC, 1" SW	1		
	82402550809	Valve, Globe, Gram, SC, 1/2" SW	1		
	82403550909	Valve, Globe, Gram, SC, 3/4" SW	1		
	82404551009	Valve, Globe, Gram, SC, 1" SW	1		
	950A0245H01	Valve, Globe, Danfoss, SC, 1/2" SW	1		
	950A0245H02	Valve, Globe, Danfoss, SC, 3/4" SW	1		
	950A0245H03	Valve, Globe, Danfoss, SC, 1" SW	1		
-4	950A0190G01	Kit, Solenoid, used w/1/2" SW TX Valve DAE 2-15, R-717	Ref.		YY5
	950A0190H11	Valve, Solenoid, less Coil ⁽¹⁾	1		
	950A0215G01	Assembly, Solenoid Coil	1		
	950A0190H01	Coil, 120V	1		
	333Q0001810	Connector, DIN	1		
	950A0215G02	Assembly, Solenoid Coil	1		
	950A0190H02	Coil, 240V	1		
	333Q0001810	Connector, DIN	1		
	959A0089H03	Gasket, Flange	2		
	947A0010H01	Sight Glass	1		
	950A0190G02	Kit, Solenoid, used w/3/4" SW TX Valve AAE 20-50, R-717	Ref.		YY5
	950A0190H13	Valve, Solenoid, less Coil ⁽¹⁾	1		
	950A0215G01	Assembly, Solenoid Coil	1		
	950A0190H01	Coil, 120V	1		
	333Q0001810	Connector, DIN	1		
	950A0215G02	Assembly, Solenoid Coil	1		
	950A0190H02	Coil, 240V	1		
	333Q0001810	Connector, DIN	1		
	959A0089H02	Gasket, Flange	2		
	947A0010H02	Sight Glass	1		

Continued next page.

* Not included with Solenoid Kit

RWF ROTARY SCREW COMPRESSOR UNIT
SERVICE PARTS LIST



FIG. & INDEX	ITEM NUMBER	DESCRIPTION	QTY.	REV.	P & I REF.
7-	-	Liquid Injection, Continued			
-4	950A0190G03	Kit, Solenoid, used w/1" SW TX Valve AAE 75-100, R-717	Ref.		YY5
	950A0190H13	Valve, Solenoid, less Coil ⁽¹⁾	1		
	950A0215G01	Assembly, Solenoid Coil	1		
	950A0190H01	Coil, 120V	1		
	333Q0001810	Connector, DIN	1		
	950A0215G02	Assembly, Solenoid Coil	1		
	950A0190H02	Coil, 240V	1		
	333Q0001810	Connector, DIN	1		
	959A0089H02	Gasket, Flange	2		
	947A0010H02	Sight Glass	1		
-5	954A0053H01	Valve, Thermostatic Expansion, Ammonia, DAE-2 ⁽²⁾	1		TX
	954A0053H20	Element, Power, Replacement	1		
	959A0089H03	Gasket, Flange	2		
	954A0053H02	Valve, Thermostatic Expansion, Ammonia, DAE-5 ⁽²⁾	1		TX
	954A0053H20	Element, Power, Replacement	1		
	959A0089H03	Gasket, Flange	2		
	954A0053H03	Valve, Thermostatic Expansion, Ammonia, DAE-10 ⁽²⁾	1		TX
	954A0053H20	Element, Power, Replacement	1		
	959A0089H03	Gasket, Flange	2		
	954A0053H04	Valve, Thermostatic Expansion, Ammonia, DAE-15 ⁽²⁾	1		TX
	954A0053H20	Element, Power, Replacement	1		
	959A0089H03	Gasket, Flange	2		
	954A0053H05	Valve, Thermostatic Expansion, Ammonia, AAE-20 ⁽²⁾	1		TX
	954A0053H30	Element, Power, Replacement	1		
	959A0089H02	Gasket, Flange	2		
	954A0053H06	Valve, Thermostatic Expansion, Ammonia, AAE-30 ⁽²⁾	1		TX
	954A0053H30	Element, Power, Replacement	1		
	959A0089H02	Gasket, Flange	2		
	954A0053H07	Valve, Thermostatic Expansion, Ammonia, AAE-50 ⁽²⁾	1		TX
	954A0053H30	Element, Power, Replacement	1		
	959A0089H02	Gasket, Flange	2		
	954A0053H08	Valve, Thermostatic Expansion, Ammonia, AAE-75 ⁽²⁾	1		TX
	954A0053H30	Element, Power, Replacement	1		
	959A0089H02	Gasket, Flange	2		
	954A0053H09	Valve, Thermostatic Expansion, Ammonia, AAE-100 ⁽²⁾	1		TX
	954A0053H30	Element, Power, Replacement	1		
	959A0089H02	Gasket, Flange	2		
	954A0054H01	Valve, Thermostatic Expansion, Halocarbon, HVE-2-1/2 ⁽²⁾	1		TX
	954A0054H20	Element, Power Replacement	1		
	959A0089H04	Gasket, Flange	2		
	954A0054H02	Valve, Thermostatic Expansion, Halocarbon, HVE-5-1/2 ⁽²⁾	1		TX
	954A0054H20	Element, Power Replacement	1		
	959A0089H04	Gasket, Flange	2		
	954A0054H03	Valve, Thermostatic Expansion, Halocarbon, HVE-11 ⁽²⁾	1		TX
	954A0054H20	Element, Power Replacement	1		
	959A0089H04	Gasket, Flange	2		
	954A0054H04	Valve, Thermostatic Expansion, Halocarbon, HVE-16 ⁽²⁾	1		TX
	954A0054H20	Element, Power Replacement	1		
	959A0089H04	Gasket, Flange	2		
	954A0054H05	Valve, Thermostatic Expansion, Halocarbon, MVE-21 ⁽²⁾	1		TX
	954A0054H30	Element, Power Replacement	1		
	959A0089H02	Gasket, Flange	2		
	954A0054H06	Valve, Thermostatic Expansion, Halocarbon, MVE-34 ⁽²⁾	1		TX
	954A0054H30	Element, Power Replacement	1		
	959A0089H02	Gasket, Flange	2		

1. Not included with Solenoid Kit 2. TX Valves are not identifiable in the field. Contact Frick Service for assistance.

FIG. & INDEX	ITEM NUMBER	DESCRIPTION	QTY.	REV.	P & I REF.
	954A0054H07	Valve, Thermostatic Expansion, Halocarbon, VVE-52 ⁽²⁾	1		TX
	954A0054H30	Element, Power Replacement	1		
	959A0089H02	Gasket, Flange	2		
	954A0054H08	Valve, Thermostatic Expansion, Halocarbon, VVE-70 ⁽²⁾	1		TX
	954A0054H30	Element, Power Replacement	1		
	959A0089H01	Gasket, Flange	2		
	954A0054H09	Valve, Thermostatic Expansion, Halocarbon, VVE-100 ⁽²⁾	1		TX
	954A0054H30	Element, Power Replacement	1		
	959A0089H01	Gasket, Flange	2		
-6	531A0139H01	Well, Standard TX Valve	1		
	980A0012K62	O-ring, Well	1		
-7	957A0003H01	Valve, Angle, SC, 1/4" MPT x 1/4" FPT	1		
-8	957A0003H02	Valve, Angle, SC, 3/8" MPT x 3/8" FPT	1		
-9	990A0011H02	Gauge, Pressure	1		
-10	954A0008H01	Regulator, Pressure	1		
	954A0008H02	Element, Replacement	1		
	954A0008H03	Gasket, Flange	2		
-11	951A0053G01	Solenoid Valve, 3-Way, R-717, R-22 (Plus Fittings)	1		YY-7
	951A0053H01	Solenoid Valve, Less Coil (Plus Fittings)	1		
	951A0054H01	Coil, 120V	1		
	951A0053G11	Repair Kit consisting of:	1		
	951A0053G01	Assy., Valve, Solenoid, 3-Way	1		
	944A0117H01	Fitting, Connector, Female	2		
-12	951A0094H01	Valve, Solenoid, 110/50 & 120/60	1		YY-10
	951A0094H11	Coil, 110/50 & 120/60	1		
	333Q0001810	Connector, DIN	1		
	951A0094H02	Valve, Solenoid, 208/60	1		YY-10
	951A0094H12	Coil, 208/60	1		
	333Q0001810	Connector, DIN	1		
	951A0094H03	Valve, Solenoid, 440/50 & 480/60	1		YY-10
	951A0094H13	Coil, 440/50 & 480/60	1		
	333Q0001810	Connector, DIN	1		
	951A0094H04	Valve, Solenoid, 220/50 & 240/60	1		YY-10
	951A0094H14	Coil, 220/ & 240/60	1		
	333Q0001810	Connector, DIN	1		
-13	980A0012K60	O-ring, Reducer	1		
-14	980A0012K66	O-ring, Elbow	1-2		
	980A0012K69	O-ring, Elbow	1-2		

1. Not included with Solenoid Kit 2. TX Valves are not identifiable in the field. Contact Frick Service for assistance.

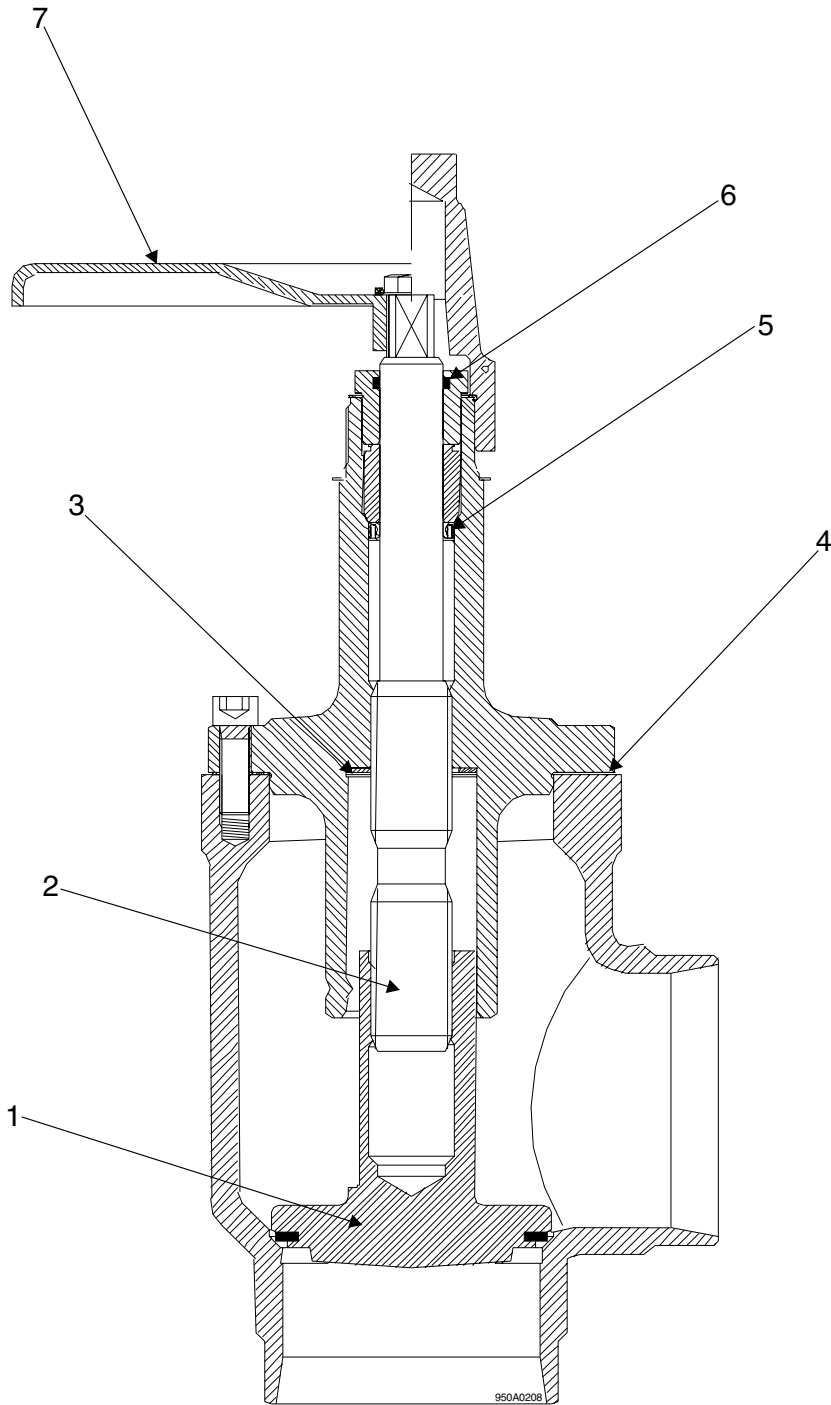


Figure 8. Suction Stop Valve, Gram.

FIG. & INDEX	ITEM NUMBER	DESCRIPTION	QTY.	REV.	P & I REF.
8-	82410535409	Valve, Stop, Discharge, 4", HW	1		
	82411535509	Valve, Stop, Suction/Discharge, 5", HW	1		
	82412535609	Valve, Stop, Suction, 6", HW	1		
	82413535809	Valve, Stop, Suction, 8", HW	1		
-1	724001878GR	Cone, Complete, 4"	1		
	724001879GR	Cone, Complete, 5"	1		
	724001880GR	Cone, Complete, 6"	1		
	724001881GR	Cone, Complete, 8"	1		
-2	724001424GR	Spindle, 4"	1		
	724001425GR	Spindle, 5"	1		
	724001426GR	Spindle, 6"	1		
	724001428GR	Spindle, 8"	1		
-3	*	Gasket, Backstop, PTFE	1		
-4	*	Gasket, Top	1		
-5	*	U-sleeve, PTFE	1		
-6	*	O-ring	1		
-7	724008102GR	Handwheel, 4", including hardware	1		
	724008127GR	Handwheel, 5 & 6", including hardware	1		
	724008202GR	Handwheel, 8", including hardware	1		
*	724008100GR	Kit, Gasket, 4"	1		
	724008125GR	Kit, Gasket, 5"	1		
	724008150GR	Kit, Gasket, 6"	1		
	724008200GR	Kit, Gasket, 8"	1		
		NOT SHOWN:			
	951A0006H07	Valve, Solenoid, Power Assist, Less Coil	1		
	951A0009H03	Coil, 60/230VAC	1		
	951A0009H07	Coil, 50/115VAC	1		
	951A0009H05	Coil, 50/230VAC	1		

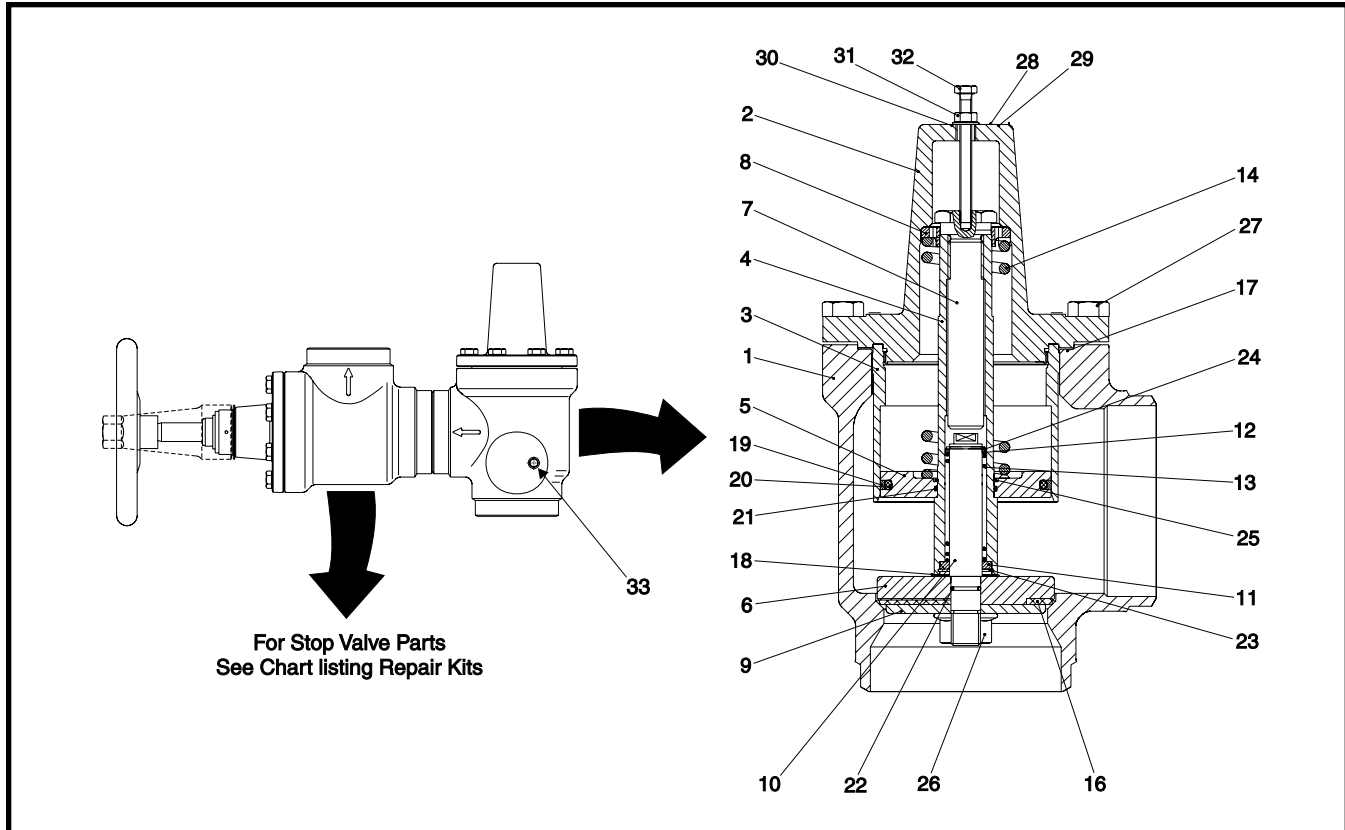


Figure 9. Discharge Stop/Check Valve, Current (Danfoss).

STOP VALVE REPAIR KITS (See index next page)							
VALVE	DESCR.	SIZE	COMPLETE SPARES KIT ⁽¹⁾	PACKING GLAND KIT ⁽²⁾	CONE KIT ⁽³⁾	HW/SC KIT ⁽⁴⁾	CAP & BONNET KIT ⁽⁵⁾
950A0240H09	BW - HW	4	950A0240H26	950A0240H34	950A0240H46	950A0240H55	N/A
950A0240H10	BW - HW	5	950A0240H27	950A0240H35	950A0240H47	950A0240H56	N/A
950A0240H11	BW - HW	6	950A0240H28	950A0240H35	950A0240H48	950A0240H56	N/A
950A0241H09	BW - SC	4	950A0240H26	950A0240H34	950A0240H46	950A0241H63	950A0241H56
950A0241H10	BW - SC	5	950A0240H27	950A0240H35	950A0240H47	950A0241H64	950A0241H57
950A0241H11	BW - SC	6	950A0240H28	950A0240H35	950A0240H48	950A0241H64	950A0241H58

1. Consists of Cone & Seal, Setscrew, Steel Balls, O-ring, Cap Gasket, Soft Backseat (less stem).
2. Consists of Packing Gland and Washer, O-rings, Wear Ring, U-sleeves (where applicable).
3. Consists of Cone & Seal, Setscrew, Steel Balls, O-ring.
4. Consists of Handwheel, Washer, Screw/Nut or Seal Cap and Gasket.
5. Consists of O-ring, Cap Gasket, Soft Backseat.

CHECK VALVE REPAIR KITS (See index next page)						
VALVE	APPLICATION	SIZE	BONNET GASKET	SEAL KIT	14.5 PSI SPRING KIT	29 PSI SPRING KIT
956A0045H01	HIGH STAGE	4	956A0045H11	956A0045H12	956A0045H13	956A0045H14
956A0045H02	BOOSTER	4	956A0045H11	956A0045H12	956A0045H13	956A0045H14
956A0046H01	HIGH STAGE	5	956A0046H11	956A0046H12	956A0046H13	956A0046H14
956A0046H02	BOOSTER	5	956A0046H11	956A0046H12	956A0046H13	956A0046H14
956A0047H01	HIGH STAGE	6	956A0047H11	956A0047H12	956A0047H13	956A0047H14
956A0047H02	BOOSTER	6	956A0047H11	956A0047H12	956A0047H13	956A0047H14

FIG. & INDEX	ITEM NUMBER	DESCRIPTION	QTY.	REV.	P & I REF.
9-	-	Discharge Stop Check Valve Assembly (See Chart below)	Ref.		
	-	Stop Valve (See Chart previous page and below)	Ref.		
	-	Check Valve (See Chart previous page and below)	Ref.		
-1	-	Housing	1		
-2	-	Bonnet	1		
-3	-	Piston Cylinder	1		
-4	-	Piston Rod	1		
-5	-	Piston	1		
-6	-	Cone	1		
-7	-	Spring Screw	1		
-8	-	Spring Bushing	1		
-9	-	Cone Plate	1		
-10	-	Cone Rod	1		
-11	-	Rear Bushing	1		
-12	-	Front Bushing	1		
-13	-	Spring	1		
-14	Spring Kit*	Spring	1		
-15	-	Plug (not shown)	1		
-16	Seal Kit*	Teflon Ring	1		
-17	Seal Kit*	Bonnet Gasket	1		
-18	Seal Kit*	Nylon Washer	1		
-19	Seal Kit*	Glyde Ring	1		
-20	Seal Kit*	O-Ring	1		
-21	Seal Kit*	O-Ring	1		
-22	Seal Kit*	O-Ring	1		
-23	-	Spring Ring	1		
-24	-	Spring Ring	1		
-25	-	Spring Ring	1		
-26	-	Nut	1		
-27	-	Set Screw	A/R		
-28	Spring Kit*	Marking Plate	1		
-29	Spring Kit*	Rivet	1		
-30	-	Washer	1		
-31	-	Nut	1		
-32	-	Screw	1		
-33	957A0003H01	Valve, Angle, SC, 1/4" MPT x 1/4" FPT	1		

* See Check Valve Chart, previous page.

DISCHARGE STOP-CHECK VALVE ASSEMBLY				
ASSEMBLY	APPLICATION	SIZE	STOP VALVE	CHECK VALVE
582C0030G01	HIGH STAGE HW	4	950A0240H09	956A0045H01
582C0030G02	HIGH STAGE SC	4	950A0241H09	956A0045H01
582C0030G03	BOOSTER HW	4	950A0240H09	956A0045H02
582C0030G04	BOOSTER SC	4	950A0241H09	956A0045H02
582C0031G01	HIGH STAGE HW	5	950A0240H10	956A0046H01
582C0031G02	HIGH STAGE SC	5	950A0241H10	956A0046H01
582C0031G03	BOOSTER HW	5	950A0240H10	956A0046H02
582C0031G04	BOOSTER SC	5	950A0241H10	956A0046H02
582C0032G01	HIGH STAGE HW	6	950A0240H11	956A0047H01
582C0032G02	HIGH STAGE SC	6	950A0241H11	956A0047H01
582C0032G03	BOOSTER HW	6	950A0240H11	956A0047H02
582C0032G04	BOOSTER SC	6	950A0241H11	956A0047H02

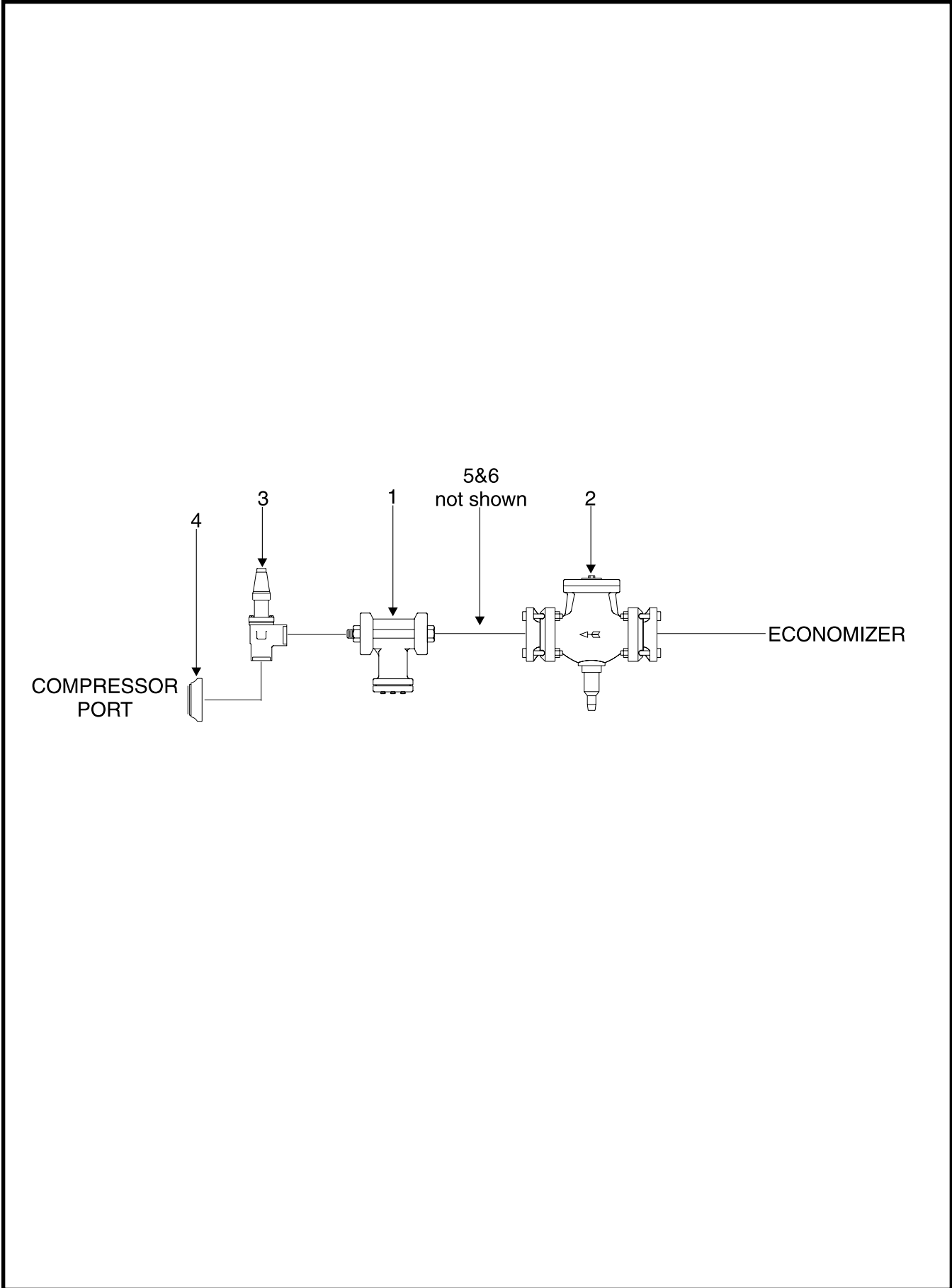


Figure 10. Economizer.

FIG. & INDEX	ITEM NUMBER	DESCRIPTION	QTY.	REV.	P & I REF.
10-	535M0001G03	Kit, Economizer, R-717, 100 – 222	Ref.		
	535M0001G04	Kit, Economizer, R-717, 316 – 399	Ref.		
	535M0001G05	Kit, Economizer, R-717, 480	Ref.		
-1	950A0001H06	Strainer, 2", 100 – 399	1		
	950A0001H25	Kit, Repair (includes screen, spring & gasket)	1		
	950A0001H09	Strainer, 3", 480	1		
	950A0001H28	Kit, Repair (includes screen, spring & gasket)	1		
-2	956A0025H23	Valve, Check, Modified, 1-1/2", 100 – 222	1		
	956A0025H24	Valve, Check, Modified, 2", 316 – 399	1		
	956A0025H25	Valve, Check, Modified, 3", 480	1		
-3	950A0125H02	Valve, Angle, Herl, SC, 1-1/2" SW, 100 – 222	1		
	950A0127H02	Valve, Angle, Herl, SC, 2" SW, 316 – 399	1		
	82406549809	Valve, Angle, Gram, SC, 1-1/2" SW, 100 – 222	1		
	82407549909	Valve, Angle, Gram, SC, 2" SW, 316 – 399	1		
	82409536309	Valve, Angle, Gram, SC, 3" BW, 480	1		
	950A0233H05	Valve, Angle, Danfoss, SC, 1-1/2" SW, 100 – 222	1		
	950A0233H06	Valve, Angle, Danfoss, SC, 2" SW, 316 – 399	1		
	950A0241H08	Valve, Angle, Danfoss, SC, 3" BW, 480	1		
-4	959A0057H05	Gasket, 2-3/4" Bolt Flange, Compressor, 100 – 222	1		
	959A0057H07	Gasket, 3-1/4" Bolt Flange, Compressor, 316 – 399	1		
	959A0057H18	Gasket, 4-3/8" Bolt Flange, Compressor, 480	1		
	944A0358H02	Flange, SW, Square, 1-1/2", 100 – 222	1		
	944A0358H03	Flange, SW, Square, 2", 316 – 399	1		
	944A0358H05	Flange, SW, Square, 3", 480	1		
-5	959A0057H07	Gasket, 3-1/4" Bolt Flange, Adapter (betw. valve & strainer)	2		
-6	944A0360G25	Kit, Flange, Threaded, 1-1/2", 100 – 222	Ref.		
	901A0046D10	Capscrew, Hex Head, 5/8 x 3-1/4"	8		
	902A0021H03	Nut, 5/8"	8		
	944A0356H02	Flange, Square, Threaded, Male, 1-1/2" (check valve)	1		
	944A0357H02	Flange, Square, Threaded, Female, 1-1/2" (strainer)	1		
	959A0057H05	Gasket, 2-3/4" O.D. Bolt Flange	2		
	944A0360G26	Kit, Flange, Threaded, 2", 316 – 399	Ref.		
	901A0046D11	Capscrew, Hex Head, 5/8 x 3-1/2"	8		
	902A0021H03	Nut, 5/8"	8		
	944A0356H03	Flange, Square, Threaded, Male, 2" (check valve)	1		
	944A0357H03	Flange, Square, Threaded, Female, 2" (strainer)	1		
	959A0057H07	Gasket, 3-1/4" O.D. Bolt Flange	2		

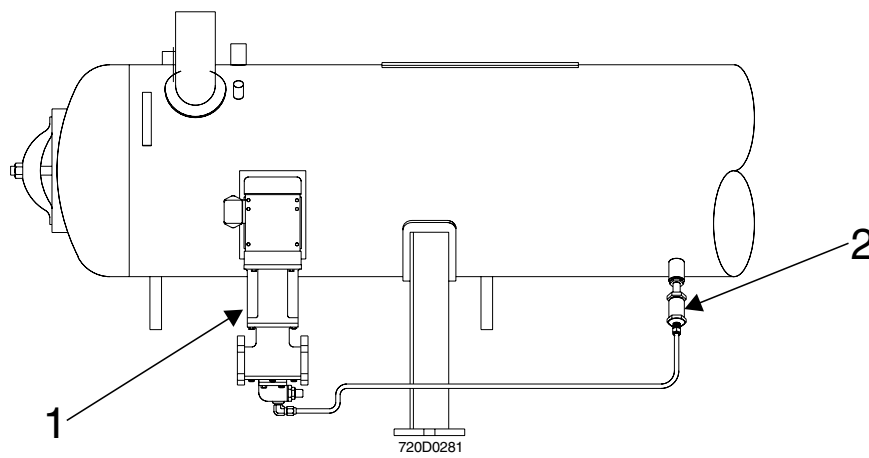


Figure 11. Oil Pump.

FIG. & INDEX	ITEM NUMBER	DESCRIPTION	QTY.	REV.	P & I REF.
11-	720D0281	Oil Pump Mounting and Tubing Assembly, 100 & 134	Ref.	F	
	720D0292	Oil Pump Mounting and Tubing Assembly, 177 & 222	Ref.	F	
	750D0307	Oil Pump Mounting and Tubing Assembly, 270	Ref.	D	
	720D0319	Oil Pump Mounting and Tubing Assembly, 316 & 399	Ref.	D	
	720D0329	Oil Pump Mounting and Tubing Assembly, 480	Ref.	C	
-1	960A0082G01	Assembly, Pump, 1 HP, 208/230/460-3-60, 190/380-3-50	1		
	960A0082H01	Pump only*	1		
	914A0015H02	Motor only	1		
	960A0066H11	Coupling only	1		
	960A0082G02	Assembly, Pump, 1 HP, 575-3-60	1		
	960A0082H01	Pump only*	1		
	914A0015H02	Motor only	1		
	960A0066H11	Coupling only	1		
	960A0082G03	Assembly, Pump, 1 HP, 415-3-50	1		
	960A0082H01	Pump only*	1		
	914A0015H02	Motor only	1		
	960A0066H11	Coupling only	1		
	960A0082G07	Assembly, Pump, 1-1/2 HP, 208/230/460-3-60	1		
	960A0082H01	Pump only*	1		
	914A0015H02	Motor only	1		
	960A0066H11	Coupling only	1		
	960A0082G08	Assembly, Pump, 1-1/2 HP, 190/380-3-50	1		
	960A0082H01	Pump only*	1		
	914A0015H02	Motor only	1		
	960A0066H11	Coupling only	1		
	960A0082G09	Assembly, Pump, 1-1/2 HP, 575-3-60	1		
	960A0082H01	Pump only*	1		
	914A0015H02	Motor only	1		
	960A0066H11	Coupling only	1		
	960A0082G10	Assembly, Pump, 1-1/2 HP, 415-3-50	1		
	960A0082H01	Pump only*	1		
	914A0015H02	Motor only	1		
	960A0066H11	Coupling only	1		
	960A0082G11	Assembly, Pump, 2 HP, 208/230/460-3-60	1		
	960A0082H01	Pump only*	1		
	914A0015H13	Motor only	1		
	960A0066H11	Coupling only	1		
	960A0082G12	Assembly, Pump, 2 HP, 190/380-3-50	1		
	960A0082H01	Pump only*	1		
	914A0015H14	Motor only	1		
	960A0066H11	Coupling only	1		
	960A0082G13	Assembly, Pump, 2 HP, 575-3-60	1		
	960A0082H01	Pump only*	1		
	914A0015H15	Motor only	1		
	960A0066H11	Coupling only	1		
	960A0082G14	Assembly, Pump, 2 HP, 415-3-50	1		
	960A0082H01	Pump only*	1		
	914A0015H16	Motor only	1		
	960A0066H11	Coupling only	1		
	960A0082G04	Assembly, Pump, 3 HP, 208/230/460-3-60, 190/380-3-50	1		
	960A0082H02	Pump only*	1		
	914A0015H03	Motor only	1		
	960A0066H12	Coupling only	1		

* 960A0076H41 Shaft Seal Kit, 1-3 HP ; 960A0077H41 Shaft Seal Kit, 5 HP. Kit consists of Shaft Seal, O-ring, Bearings and Locknut.

RWF ROTARY SCREW COMPRESSOR UNIT
SERVICE PARTS LIST



FIG. & INDEX	ITEM NUMBER	DESCRIPTION	QTY.	REV.	P & I REF.
11-1	-	Oil Pump Piping, Continued	Ref.		
	960A0082G05	Assembly, Pump, 3 HP, 575-3-60	1		
	960A0082H02	Pump only*	1		
	914A0015H03	Motor only	1		
	960A0066H12	Coupling only	1		
	960A0082G06	Assembly, Pump, 3 HP, 415-3-50	1		
	960A0082H02	Pump only*	1		
	914A0015H03	Motor only	1		
	960A0066H12	Coupling only	1		
	960A0083G01	Assembly, Pump, 5 HP, 190/380-3-50	1		
	960A0083H01	Pump only*	1		
	914A0016H02	Motor only	1		
	960A0073H13	Coupling only	1		
	960A0083G02	Assembly, Pump, 5 HP, 230/460-3-60	1		
	960A0083H01	Pump only*	1		
	914A0016H02	Motor only	1		
	960A0073H13	Coupling only	1		
	960A0083G03	Assembly, Pump, 5 HP, 415-3-50	1		
	960A0083H01	Pump only*	1		
	914A0016H20	Motor only	1		
	960A0073H13	Coupling only	1		
	960A0083G04	Assembly, Pump, 5 HP, 575-3-60	1		
	960A0083H01	Pump only*	1		
	914A0016H23	Motor only	1		
	960A0073H13	Coupling only	1		
-2	956A0014H01	Valve, Check, In-line, 3/4" FPT (100-222)	1		
	956A0014H02	Valve, Check, In-line, 1" FPT (270-480)	1		

* 960A0076H41 Shaft Seal Kit, 1-3 HP ; 960A0077H41 Shaft Seal Kit, 5 HP. Kit consists of Shaft Seal, O-ring, Bearings and Locknut.

This page left blank intentionally.

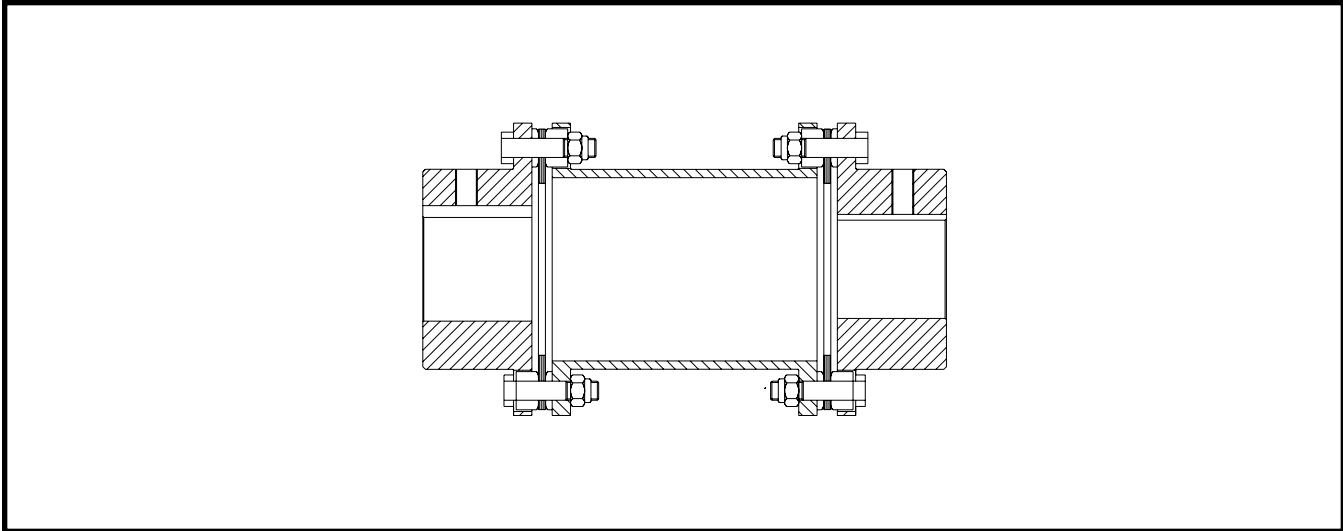


Figure 12. Coupling Assembly.

FIG. & INDEX	ITEM NUMBER	DESCRIPTION	QTY.	REV.	P & I REF.
12-	720C0044	Coupling, Motor to Compressor, 100, 134, 316 & 399	Ref.	A	
	720C0045	Coupling, Motor to Compressor, 177, 222, 270, 316 & 399	Ref.	-	
	720C0058	Coupling, Motor to Compressor, 316 & 399	Ref.	-	
	720C0078	Coupling, Motor to Compressor, 100, 134, 177, 222, 270	Ref.	-	
	720C0079	Coupling, Motor to Compressor, 222, 270, 316, 399, 480	Ref.	A	
-1	720C0044H01	Assbly, Coupling, 2.375" Motor Bore/2.500" Compr. Bore ⁽¹⁾	1		
	720C0044H02	Assbly, Coupling, 2.125" Motor Bore/2.500" Compr. Bore ⁽¹⁾	1		
	720C0044H03	Assbly, Coupling, 1.875" Motor Bore/2.500" Compr. Bore ⁽¹⁾	1		
	720C0045H01	Assbly, Coupling, 2.375" Motor Bore/2.500" Compr. Bore ⁽¹⁾	1		
	720C0045H02	Assbly, Coupling, 2.125" Motor Bore/2.500" Compr. Bore ⁽¹⁾	1		
	720C0045H03	Assbly, Coupling, 2.875" Motor Bore/2.500" Compr. Bore ⁽¹⁾	1		
	720C0058H02	Assbly, Coupling, 2.375" Motor Bore/3.250" Compr. Bore ⁽¹⁾	1		
	720C0058H03	Assbly, Coupling, 2.875" Motor Bore/3.250" Compr. Bore ⁽¹⁾	1		
	720C0058H04	Assbly, Coupling, 2.375" Motor Bore/2.500" Compr. Bore ⁽¹⁾	1		
	720C0058H05	Assbly, Coupling, 2.875" Motor Bore/2.500" Compr. Bore ⁽¹⁾	1		
	720C0078H01	Assbly, Coupling, 2.376" Motor Bore/2.251" Compr. Bore ⁽²⁾	1		
	720C0078H02	Assbly, Coupling, 2.126" Motor Bore/2.251" Compr. Bore ⁽²⁾	1		
	720C0078H04	Assbly, Coupling, 2.126" Motor Bore/2.501" Compr. Bore ⁽²⁾	1		
	720C0078H06	Assbly, Coupling, 2.376" Motor Bore/2.501" Compr. Bore ⁽²⁾	1		
720C0079H01	Assbly, Coupling, 2.376" Motor Bore/2.501" Compr. Bore ⁽³⁾	1			

(1) No service parts available. Replaced by 720C0078 and 720C0079.
 (2) For 50-450 HP. Service parts in chart below.
 (3) For 450-850 HP. Service parts in chart below.

COUPLING SERVICE KITS*					
Coupling Part Number	T. B. Woods BPU-41 Disc Pack	Kop-Flex KD21-153X Disc Pack	Kop-Flex KD21-204 Disc Pack	Rexnord 52-225 Disc Pack	Rexnord 52-262 Disc Pack
720C0078H01	720C0078H11	720C0078H12	-	720C0078H13	-
720C0078H02	720C0078H12	720C0078H13	-	720C0078H14	-
720C0078H04	720C0078H13	720C0078H14	-	720C0078H15	-
720C0078H06	720C0078H14	720C0078H15	-	720C0078H16	-
720C0079H01	720C0079H11	720C0079H12	720C0079H13	720C0079H13	720C0079H14

* To service 720C0078 and 720C0079 Couplings, determine the manufacturer and model, then select correct service kit listed above. Kit includes fasteners.

This page left blank intentionally.

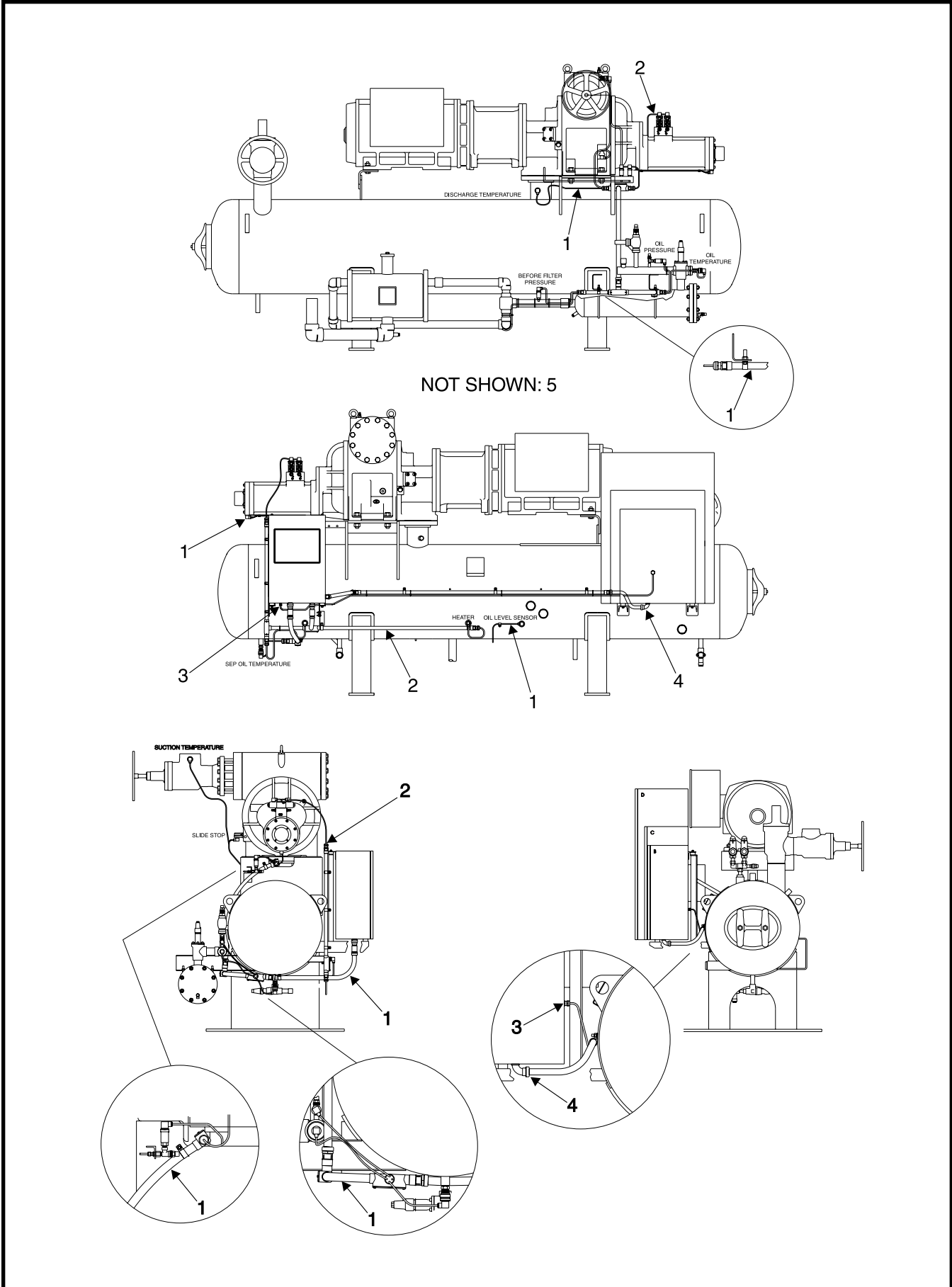


Figure 13. Wiring Harness, Typical (177/222 shown).

FIG. & INDEX	ITEM NUMBER	DESCRIPTION	QTY.	REV.	P & I REF.
13-	640D0129	Package Layout, Harness 100-134	Ref.		
	640D0130	Package Layout, Harness 177-222	Ref.		
	640D0131	Package Layout, Harness 270-316	Ref.		
	640D0135	Package Layout, Harness 316-399	Ref.		
	640D0136	Package Layout, Harness 480	Ref.		
-1	649D4678H01	Harness, Wiring, Analog Devices, External 100-134	1		
	649D4688H01	Harness, Wiring, Analog Devices, External 177-222	1		
	649D4699H01	Harness, Wiring, Analog Devices, External 270-399	1		
	649D4746H01	Harness, Wiring, Analog Devices, External 480	1		
-2	649D4692H01	Harness, Wiring, AC External Heaters & Valves 100-134	1		
	649D4693H01	Harness, Wiring, AC External Heaters & Valves 177-222	1		
	649D4700H01	Harness, Wiring, AC External Heaters & Valves 270-399	1		
	649D4747H01	Harness, Wiring, AC to Heaters & Valves 480	1		
	649D4690H01	Harness, Wiring, Analog Internal, 100-480	1		
	649D4691H01	Harness, Wiring, AC Heaters & Valves Internal 100-480	1		
-3	649A0893H01	Assembly, Cable, DBS to Quantum™ Communications	1		
-4	649D4696H01	Harness, Wiring, AC, DBS to Quantum™, 100-134	1		
	649D4697H01	Harness, Wiring, AC, DBS to Quantum™, 177-222	1		
	649D4720H01	Harness, Wiring, AC, DBS to Quantum™, 270-399	1		
	649D4798H01	Harness, Wiring, AC, DBS to Quantum™, 480	1		
-5	640D0121H01	Cable Assembly, Liquid Injection (not shown)	1-2		

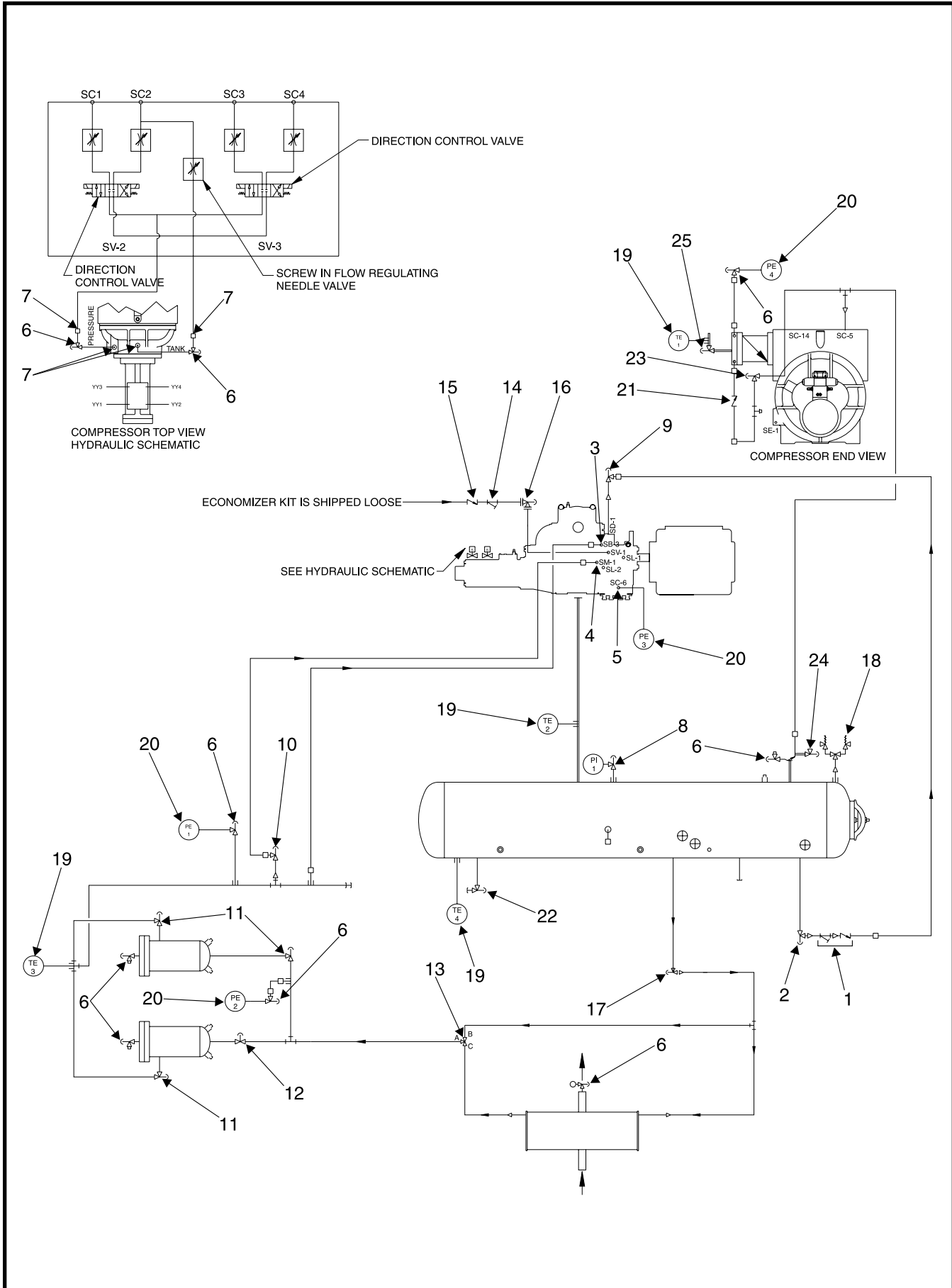


Figure 14. Piping and Instrumentation, Typical.

FIG. & INDEX	ITEM NUMBER	DESCRIPTION	QTY.	REV.	P & I REF.
14-	720E0072G40	Piping Package Parts, 100 and 134	Ref.		
	720E0072G50	Package Parts Assembly, 100 and 134	Ref.		
	720E0073G40	Piping Package Parts, 177 and 222	Ref.		
	720E0073G50	Package Parts Assembly, 177 and 222	Ref.		
	720E0074G40	Piping Package Parts, 270	Ref.		
	720E0074G50	Package Parts Assembly, 270	Ref.		
	720E0075G40	Piping Package Parts, 316 and 399	Ref.		
	720E0075G50	Package Parts Assembly, 316 and 399	Ref.		
-1	720B0030G01	Assembly, Valve, Coalescer Bleed, Current	1		
	950A0281H01	Valve, Angle, SW/MPT 1"	1		
	720B0030H02	Nut	2		
	720B0030H03	Flange, 1/2" FPT (Stop Valve & Strainer)	1		
	720B0030H04	Bolt	2		
	720G0030H05	Strainer	1		
	720B0030H21	Kit, Strainer Service, Cover Gasket and Basket	1		
	720B0030H06	Valve, Check	1		
	720B0030H22	Kit, Check Valve (w/o flanges) Service	1		
	720B0030H07	Gaskets (Service Kit 720B0030H23 includes 2 gaskets)	3		
	720B0030H08	Flange, 3/8" FPT (Check Valve)	1		
	950A0019H01	Strainer, 1/2" FPT, Early	1		
	950A0019H02	Gasket, Flange	1		
	950A0019H03	Gasket, Screen	1		
	950A0019H04	Screen w/Gasket	1		
	956A0018H01	Valve, Check, Inline, 1/4 FPT, Early	1		
-2	950A0233H03	Valve, SW, Angle, SC, 1"	1		
-3	980A0014K64	O-ring , Port SB-3, Oil Supply	1		
-4	980A0012K66	O-ring, Port SM-1, Main Oil Injection	1		
-5	980A0014K58	O-ring, Port SC-6, Discharge Pressure	1		
-6	957A0003H01	Valve, Angle, SC, 1/4 MPT x 1/4 FPT	A/R		
-7	980A0014K58	O-ring, Adapter	4		
-8	950A0237H03	Valve, Angle, SC, 1 MPT	1		
-9	957A0030H01	Valve, Angle, SC, Coalescer Bleed, 1/4" (100 - 222)	1		
	957A0030H02	Valve, Angle, SC, Coalescer Bleed, 3/8" (270 - 480)	1		
	944A0246H09	Adapter, 1-1/16-12 UN x 1/2-14 NPTF (O-ring 980A0012K66)	1		
-10	954A0033H01	Valve, Hand Expansion, SC, 1" SW, 100-134	1		
	954A0033H02	Valve, Hand Expansion, SC, 1-1/4" SW, 177-222	1		
	954A0047H01	Valve, Hand Expansion, SC, 1-1/2" SW, 270-480	1		
-11	82406549809	Valve, Angle, Gram, SC, 1-1/2" SW, 100 & 134	3		
	82407549909	Valve, Angle, Gram, SC, 2" SW, 177 & 222	3		
	82408536209	Valve, Angle, Gram, SC, 2-1/2" BW, 270-399	3		
	950A0233H05	Valve, Angle, Danfoss, SC, 1-1/2" SW, 100 & 134	3		
	950A0233H06	Valve, Angle, Danfoss, SC, 2" SW, 177 & 222	3		
	950A0241H07	Valve, Angle, Danfoss, SC, 2-1/2" BW, 270-480	3		
-12	82406551209	Valve, Globe, Gram, SC, 1-1/2" SW, 100 & 134	1		
	82407551309	Valve, Globe, Gram, SC, 2" SW, 177 & 222	1		
	82408538209	Valve, Globe, Gram, SC, 2-1/2" BW, 270-399	1		
	950A0245H05	Valve, Globe, Danfoss, SC, 1-1/2" SW, 100 & 134	1		
	950A0245H06	Valve, Globe, Danfoss, SC, 2" SW, 177 & 222	1		
	950A0253H07	Valve, Globe, Danfoss, SC, 2-1/2" BW, 270-480	1		

RWF ROTARY SCREW COMPRESSOR UNIT
SERVICE PARTS LIST



FIG. & INDEX	ITEM NUMBER	DESCRIPTION	QTY.	REV.	P & I REF.
14-	-	Piping Package Parts, continued	Ref		
-13	950A0195H01	Valve, Temperature Control, 1-1/2"	1		
	950A0195H11	Kit, Service, Temperature Control Valve, 1-1/2 & 2" *	1		
	950A0195H02	Valve, Temperature Control, 2"	1		
	950A0195H11	Kit, Service, Temperature Control Valve, 1-1/2 & 2" *	1		
	950A0222H01	Valve, Temperature Control, 2-1/2"	1		
	950A0222H11	Kit, Service, Temperature Control Valve, 2-1/2" *	1		
-14	950A0001H06	Strainer, 2", 100 - 399	1		
	950A0001H25	Kit, Repair (includes screen, spring & gasket)	1		
	950A0001H09	Strainer, 3", 480	1		
	950A0001H28	Kit, Repair (includes screen, spring & gasket)	1		
-15	956A0025H23	Valve, Check, Modified, 1-1/2", 100 - 222	1		
	956A0025H24	Valve, Check, Modified, 2", 316 - 399	1		
	956A0025H25	Valve, Check, Modified, 3", 480	1		
-16	950A0125H02	Valve, Angle, Herl, SC, 1-1/2" SW, 100 - 222	1		
	950A0127H02	Valve, Angle, Herl, SC, 2" SW, 316 - 399	1		
	82406549809	Valve, Angle, Gram, SC, 1-1/2" SW, 100 - 222	1		
	82407549909	Valve, Angle, Gram, SC, 2" SW, 316 - 399	1		
	82409536309	Valve, Angle, Gram, SC, 3" BW, 480	1		
	950A0233H05	Valve, Angle, Danfoss, SC, 1-1/2" SW, 100 - 222	1		
	950A0233H06	Valve, Angle, Danfoss, SC, 2" SW, 316 - 399	1		
	950A0241H08	Valve, Angle, Danfoss, SC, 3" BW, 480	1		
-17	82407549909	Valve, Angle, Gram, Shutoff, 2" SW, SC	1		
	82408536209	Valve, Angle, Gram, Shutoff, 2-1/2" BW, SC	1		
	950A0233H06	Valve, Angle, Danfoss, Shutoff, 2" SW, SC	1		
	950A0241H07	Valve, Angle, Danfoss, Shutoff, 2-1/2" BW, SC	1		
-18	720M0034G04	Dual Safety Valve 1/2", 100-399	Ref.		
	580C0358G09	Assembly, Dual Safety Valve	1		PSV-1
	955A0012H01	Manifold, 1/2"	1		
	952A0019H10	Valve, Safety, 1/2", 300 PSIG	2		
	720M0034G05	Dual Safety Valve, 3/4", 177-399	Ref.		
	580C0357G09	Assembly, Dual Safety Valve	1		PSV-1
	955A0012H02	Manifold, 3/4"	1		
	952A0020H10	Valve, Safety, 3/4", 300 PSIG	2		
	720M0034G06	Dual Safety Valve, R.S., 270-399	Ref.		
	580C0361G09	Assembly, Dual Safety Valve	1		PSV-1
	955A0023H01	Manifold, R.S. M3	1		
	952A0021H09	Valve, Safety, R.S. H3, 300 PSIG	2		
	720M0034G07	Dual Safety Valve R.S., 480	Ref.		
	580C0362G09	Assembly, Dual Safety Valve	1		
	955A0024H01	Manifold, R.S. H4	1		
	952A0022H09	Valve, Safety, R.S. H5	2		
-19	639A0152H01	Assembly, Temperature Probe	4		TE

Note: 913A0101H01 was the first temp. probe assbly. used (well, 913A0098H01 was included). This was replaced with assbly. 913A0097G01 that was superceded by assemblies 639A0151G01 or 639A0152H01. See letter NS-11-05 for complete explanation and description of temperature probes used.

FIG. & INDEX	ITEM NUMBER	DESCRIPTION	QTY.	REV.	P & I REF.
-20	913A0146H01	Transducer, Pressure, 0-200	4		
	913A0146H02	Transducer, Pressure, 0-500	4		
-21	956A0031H11	Valve, Check, 40 PSIG, 3/8", Swing	1		
	956A0031H13	Valve, Check, 25 PSIG, 3/8", Booster or Swing	1		
-22	950A0233H03	Valve, Angle, Danfoss, SC, 1" SW	1		
-23	957A0003H02	Valve, Angle, SC, 3/8 MPT x 3/8 FPT	1		
-24	582C0030G01	Valve, Discharge Stop/Check, 4" (High Stage)	1		
	582C0030G03	Valve, Discharge Stop/Check, 4" (Booster or Swing)	1		
	582C0031G01	Valve, Discharge Stop/Check, 5" (High Stage)	1		
	582C0031G03	Valve, Discharge Stop/Check, 5" (Booster or Swing)	1		
	582C0032G01	Valve, Discharge Stop/Check, 6" (High Stage)	1		
	582C0032G03	Valve, Discharge Stop/Check, 6" (Booster or Swing)	1		
-25	720M0166G01	Kit, Suction/Stop Check Valve, 5"	Ref.		
	901A0206H18	Capscrew, Hex Head, M20 x 2.5 x 130	8		
	950A0260G01	Valve Assembly, HW, 5"	1		
	956A0033H01	Valve, Swing, Check, 5"	1		
	959A0054H31	Gasket, 8-1/2" OD	2		
	720M0167G01	Kit, Suction/Stop Check Valve, 6"	Ref.		
	901A0206H19	Capscrew, Hex Head, M20 x 2.5 x 140	12		
	950A0261G01	Valve Assembly, HW, 6"	1		
	956A0033H02	Valve, Swing, Check, 6"	1		
	959A0054H32	Gasket, 9-7/8" OD	2		
	720M0187G01	Kit, Suction/Stop Check Valve, 6"	Ref.		
	720C0063H01	Plate, Adapter, 8-6"	1		
	901A0201H06	Capscrew, Hex Head, M22 x 2.5 x 80	12		
	901A0206H19	Capscrew, Hex Head, M20 x 2.5 x 140	12		
	950A0261G03	Valve Assembly, HW, 6"	1		
	956A0033H02	Valve, Swing, Check, 6"	1		
	959A0054H32	Gasket, 9-7/8" OD	2		
	959A0054H33	Gasket, 12-1/8" OD	1		
	720M0182G01	Kit, Suction/Stop Check Valve, 8"	Ref.		
	901A0192H13	Capscrew, Hex Head, M22 x 140	12		
	950A0262G01	Valve Assembly, HW, 8"	1		
	956A0033H03	Valve, Swing, Check, 8"	1		
	959A0054H33	Gasket, 12-1/8" OD	2		
	720M0182G02	Kit, Suction/Stop Check Valve, 10"	Ref.		
	582C0034G01	Valve Assembly, HW, 10 x 8"	1		
	901A0207H17	Capscrew, Hex Head, M24 x 160	16		
	956A0033H04	Valve, Swing, Check, 10"	1		
	959A0054H34	Gasket, 14-1/4" OD	1		
	959A0098H01	Gasket, 13-1/2" OD	1		

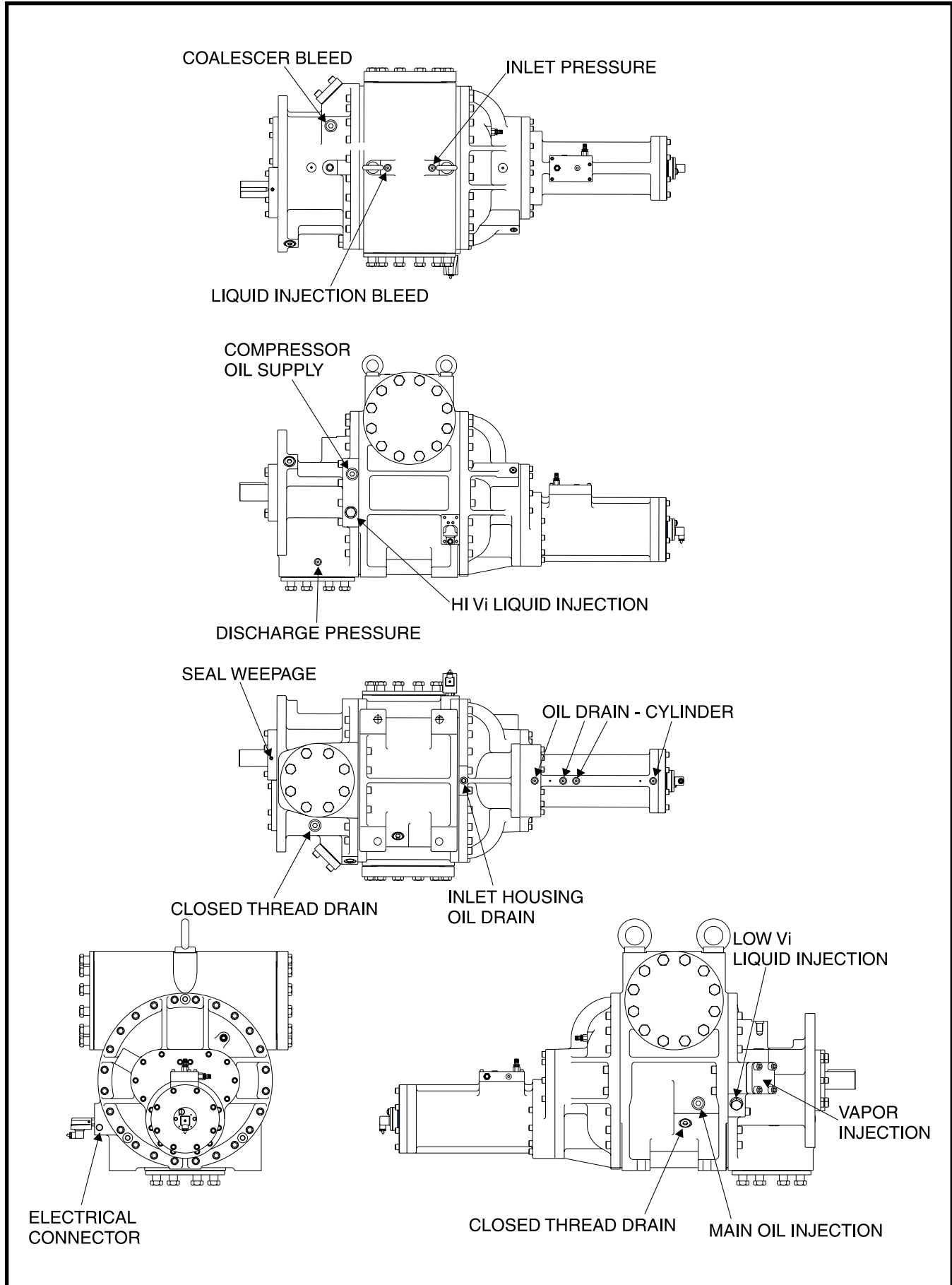


Figure 15. 1913/1918 Compressor Ports Locations.

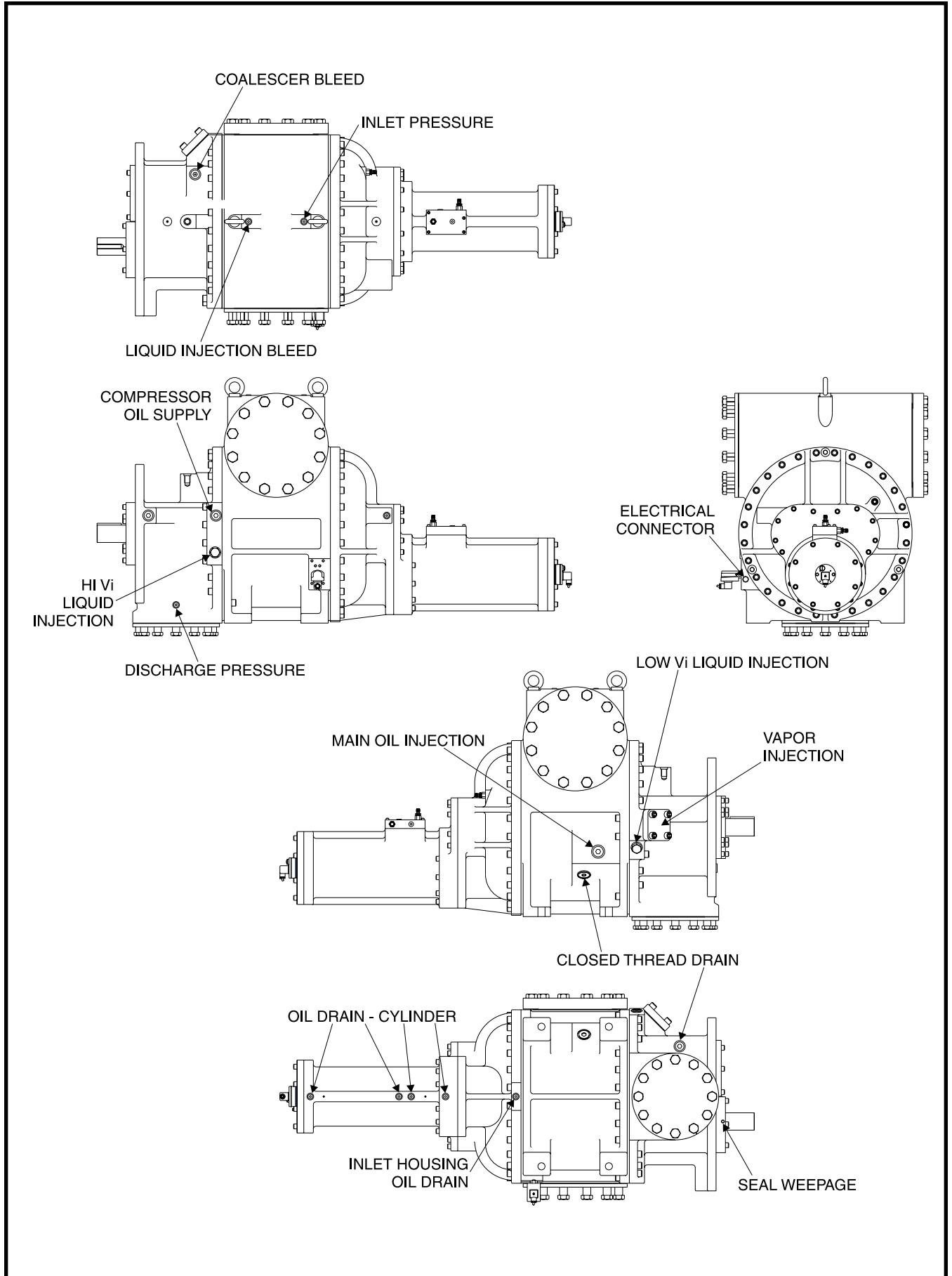


Figure 16. 2313/2317 Compressor Ports Locations.

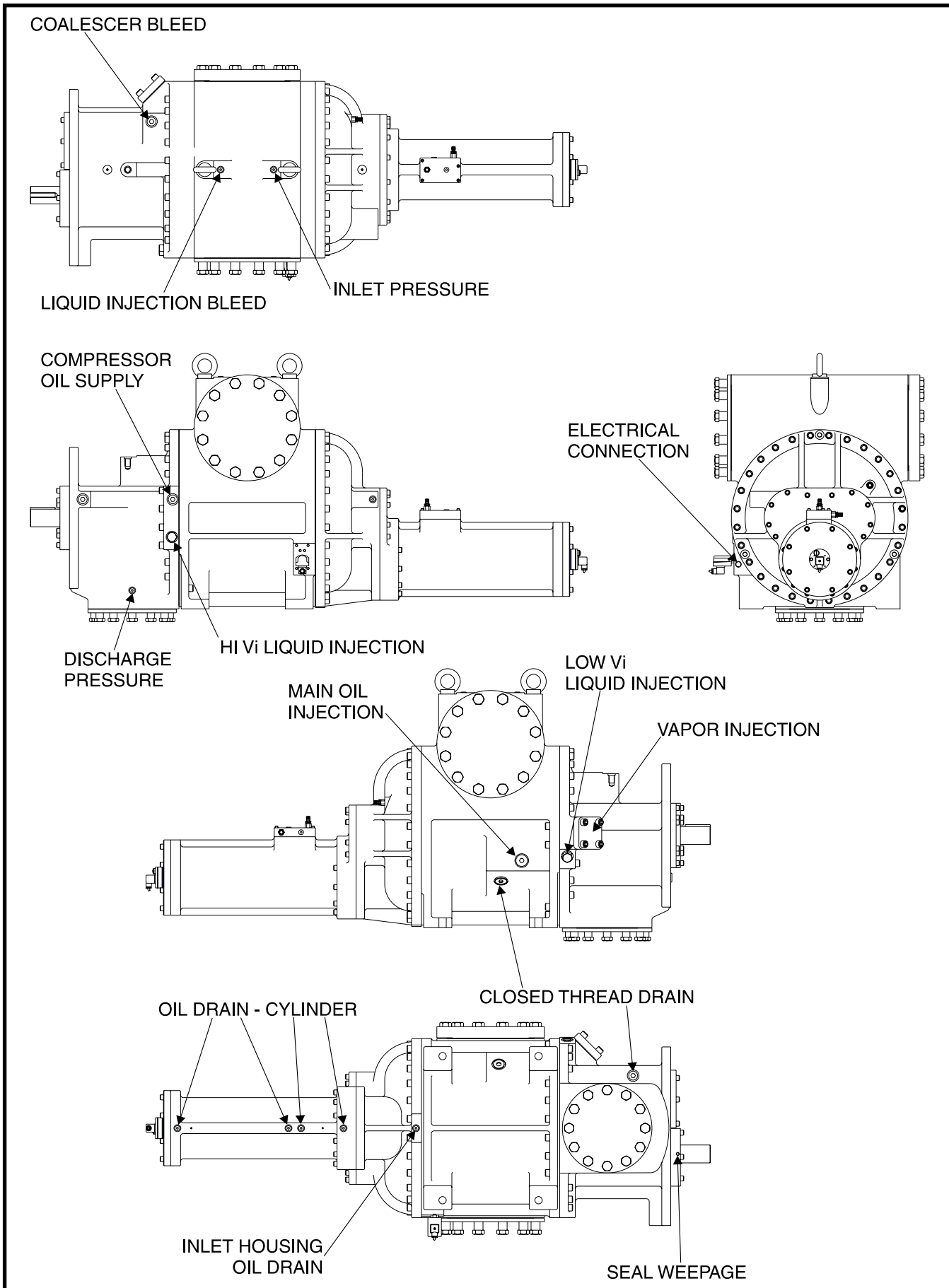


Figure 17. 2321 Compressor Ports Locations.

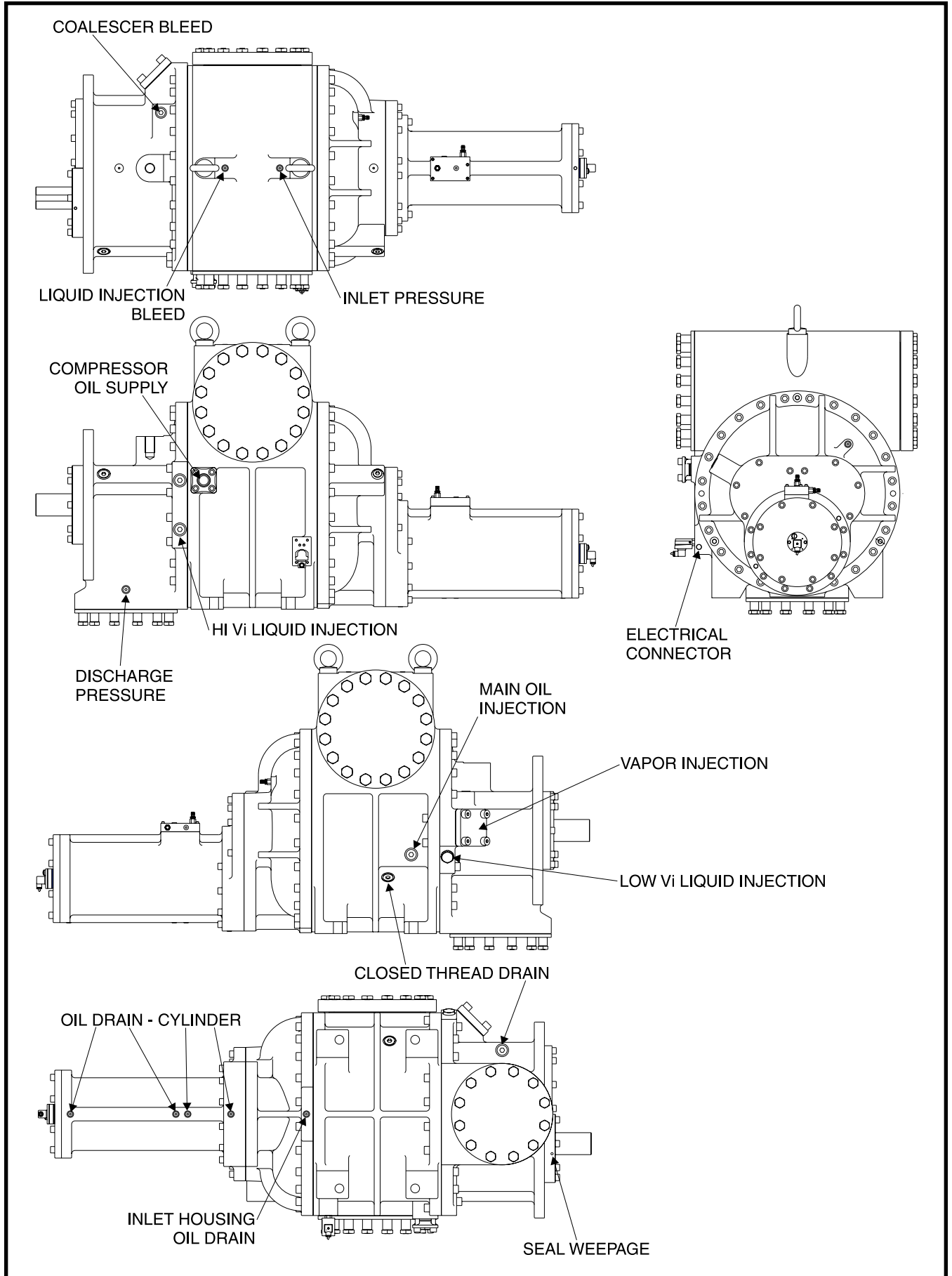


Figure 18. 2813/2817 Compressor Ports Locations.

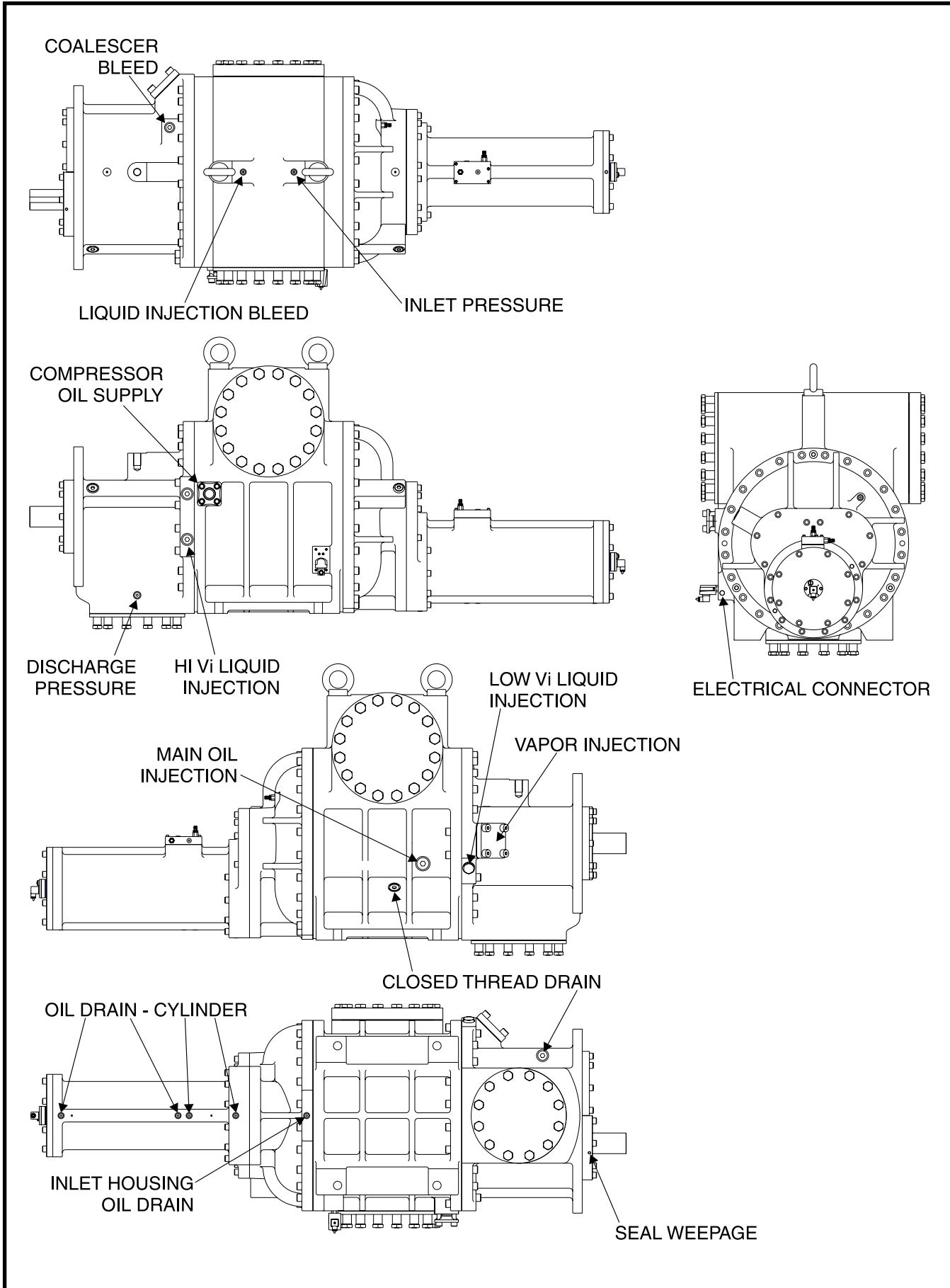


Figure 19. 2821 Compressor Ports Locations.

COMPRESSOR PORT O-RINGS						
PORT	DESCRIPTION	100-134 O-RING	177-222 O-RING	270 O-RING	316-399 O-RING	480 O-RING
SB-3	Compr Oil Supply	980A0012K66	980A0012K66	980A0012K66	980A0012K69	N/A
SC-5	Inlet Pressure	980A0012K60	980A0012K60	980A0012K60	980A0012K60	980A0012K60
SC-6	Discharge Pressure	980A0014K58	980A0014K58	980A0012K58	980A0014K58	980A0014K58
SC-8	Closed Thrd Drain	980A0012K66	980A0012K66	980A0012K66	980A0012K69	980A0012K69
SC-9	Inlet Hsg Oil Drain	980A0012K60	980A0012K60	980A0012K60	980A0012K60	980A0012K60
SC-13	Oil Drain Cylinder	980A0012K60	980A0012K60	980A0012K60	980A0012K60	980A0012K60
SC-14	Liquid Inj Bleed	980A0012K60	980A0012K60	980A0012K60	980A0012K60	980A0012K60
SD-1	Coalescer Bleed	980A0012K66	980A0012K66	980A0012K66	980A0012K66	980A0012K66
SL-1	Low Vi Liq Injection	980A0012K66	980A0012K66	980A0012K66	980A0012K69	980A0012K69
SL-2	High Vi Liq Injection	980A0012K66	980A0012K66	980A0012K66	980A0012K69	980A0012K69
SM-1	Main Oil Injection	980A0012K66	980A0012K66	980A0012K69	980A0012K69	980A0012K71
SV-1	Vapor Injection	N/A	N/A	N/A	N/A	N/A

RWF ROTARY SCREW COMPRESSOR UNIT
 SERVICE PARTS LIST



FRICK COMPRESSOR OILS				
Number	1 Gallon	5 Gallon	55 Gallon	330 Gallon
2A	-	111Q0550019	111Q0550020	333Q0001866
3	333Q0001842	111Q0550001	111Q0550010	333Q0001861
4	-	-	111Q0550005	-
5	-	111Q0550008	111Q0550009	-
6	-	333Q0000940	333Q0000941	-
7	-	111Q0550024	111Q0550025	-
9	-	333Q0000850	333Q0000849	333Q0001862
9ST	-	333Q0001905	333Q0001904	-
10	333Q0000741	333Q0000740	333Q0000739	-
11	-	333Q0000852	333Q0000851	333Q0001863
11ST	-	333Q0001907	333Q0001906	-
12	333Q0001140	333Q0001141	333Q0001142	-
12B	-	333Q0001883	333Q0001884	-
13	333Q0000511	333Q0001253	333Q0001254	-
13B	333Q0001939	333Q0001938	333Q0001937	-
14	333Q0001143	333Q0001144	333Q0001145	-
18	-	-	333Q0001892	-
19	-	333Q0001900	333Q0001899	-
20	-	333Q0001902	333Q0001903	-
NG 1	-	-	333Q0001850	-
NG 2	-	-	333Q0001851	-
NG 3	-	-	333Q0001852	-

Oil Analysis Kit - 333Q0001853
 Tube of Motor Grease - 333Q0001860

FRICK BLUE PAINT	
Size Each	Part Number
1 PT.	993A0001H01*
1 GAL.	333Q0000404
2 GAL.	333Q0000724**

* Spray Can

** Matte finish epoxy paint. One gallon each of resin and cure that require mixing.

FRICK FLANGE GASKETS			
Gasket No.	Flange Size ⁽¹⁾	ID ⁽¹⁾	OD ⁽¹⁾
959A0057H01	1/4	29/32	1 11/32
959A0057H02	3/8 & 1/2	1 9/32	1 23/32
959A0057H03	3/4 & 1	1 21/32	2 3/32
959A0057H04	1 1/4	1 27/32	2 9/32
959A0057H05	1 1/2	2 1/8	2 3/4
959A0057H06	2 1/2	3	3 3/4
959A0057H07	2	2 1/2	3 1/4
959A0057H08	3 1/2	4 1/8	4 7/8
959A0057H09	4	4 3/4	5 1/2
959A0057H10	5	6 1/4	7
959A0057H11	6	7 3/8	8 1/8
959A0057H12	8	9 9/16	10 1/2
959A0057H13	10	11 7/8	12 15/16
959A0057H14	12	13 1/4	14 1/4
959A0057H15	14	14 3/4	16 1/32
959A0057H16	3/4	1 5/16	1 13/16
959A0057H18	3	3 5/8	4 3/8

1. Measurements in inches.

STRAIGHT ADAPTERS / O-RINGS - STRAIGHT THREAD TO NPTF			
Straight Thread Size ⁽¹⁾	NPTF Size ⁽¹⁾	Adapter	O-ring
9/16-18	1/4-18	944A0246H01	980A0012K60
3/4-16	1/4-18	944A0246H02	980A0012K62
3/4-16	3/8-18	944A0246H03	980A0012K62
3/4-16	1/2-14	944A0246H04	980A0012K62
7/8-14	1/4-18	944A0246H05	980A0012K64
7/8-14	3/8-18	944A0246H06	980A0012K64
7/8-14	1/2-14	944A0246H07	980A0012K64
7/8-14	3/4-14	944A0246H08	980A0012K64
1 1/16-12	1/2-14	944A0246H09	980A0012K66
1 1/16-12	3/4-14	944A0246H10	980A0012K66
1 3/16-12	1/2-14	944A0246H11	980A0012K68
1 3/16-12	3/4-14	944A0246H12	980A0012K68
1 5/16-12	1/2-14	944A0246H13	980A0012K69
1 5/16-12	3/4-14	944A0246H14	980A0012K69
1 5/16-12	1-11 1/2	944A0246H15	980A0012K69
1 5/8-12	1-11 1/2	944A0246H16	980A0012K71
1 5/8-12	1 1/4-11 1/2	944A0246H17	980A0012K71
1 7/8-12	1-11 1/2	944A0246H18	980A0012K72
1 7/8-12	1 1/2-11 1/2	944A0246H19	980A0012K72
7/16-20	1/4-18	944A0246H20	980A0012K58

90° ELBOW ADAPTERS / O-RINGS - STRAIGHT THREAD TO TUBE				
Adapter	Tube OD ⁽¹⁾	Tube End UN/UNF-2A ⁽¹⁾	Port Thread UN/UNF-2A ⁽¹⁾	O-Ring
944A0288H01	1/2	3/4-16	3/4-16	980A0012K62
944A0288H02	1/2	3/4-16	9/16-18	980A0012K60
944A0288H03	1/2	3/4-16	7/8-14	980A0012K64
944A0288H04	1/2	3/4-16	1 1/16-12	980A0012K66
944A0288H05	5/8	7/8-14	7/8-14	980A0012K64
944A0288H06	5/8	7/8-14	3/4-16	980A0012K62
944A0288H07	5/8	7/8-14	1 1/16-12	980A0012K66
944A0288H08	3/4	1 1/16-12	1 1/16-12	980A0012K66
944A0288H09	3/4	1 1/16-12	3/4-16	980A0012K62
944A0288H10	3/4	1 1/16-12	7/8-14	980A0012K64
944A0288H11	3/4	1 1/16-12	1 5/16-12	980A0012K69
944A0288H12	7/8	1 3/16-12	1 3/16-12	980A0012K68
944A0288H13	1	1 5/8-12	1 5/16-12	980A0012K69
944A0288H14	1	1 5/16-12	1 1/16-12	980A0012K66
944A0288H15	1 1/4	1 5/8-12	1 5/8-12	980A0012K71
944A0288H16	1 1/2	1 7/8-12	1 7/8-12	980A0012K72

1. In Inches

STOP VALVE COMPLETE REPAIR KIT (less stem)				
Danfoss	Type	Conn.	Size ^(INCH)	Repair Kit
950A0233H01	ANGLE	SW-SC	1/2	950A0232H21
950A0233H02	ANGLE	SW-SC	3/4	950A0232H21
950A0233H03	ANGLE	SW-SC	1	950A0232H22
950A0233H04	ANGLE	SW-SC	1 1/4	950A0232H22
950A0233H05	ANGLE	SW-SC	1 1/2	950A0232H22
950A0237H01	ANGLE	THD-SC	1/2	950A0232H21
950A0237H02	ANGLE	THD-SC	3/4	950A0232H21
950A0237H03	ANGLE	THD-SC	1	950A0232H22
950A0240H07	ANGLE	BW-HW	2 1/2	950A0240H24
950A0240H08	ANGLE	BW-HW	3	950A0240H25
950A0240H09	ANGLE	BW-HW	4	950A0240H26
950A0240H10	ANGLE	BW-HW	5	950A0240H27
950A0241H07	ANGLE	BW-SC	2 1/2	950A0240H24
950A0241H08	ANGLE	BW-SC	3	950A0240H25
950A0241H09	ANGLE	BW-SC	4	950A0240H26
950A0241H10	ANGLE	BW-SC	5	950A0240H27
950A0245H01	GLOBE	SW-SC	1/2	950A0232H21
950A0245H02	GLOBE	SW-SC	3/4	950A0232H21
950A0245H03	GLOBE	SW-SC	1	950A0232H22
950A0249H01	GLOBE	THD-SC	1/2	950A0232H21
950A0249H02	GLOBE	THD-SC	3/4	950A0232H21
950A0319H01	ANGLE	SW-MPT	3/4 / 1/2	950A0232H21

RWF ROTARY SCREW COMPRESSOR UNIT
NUMERICAL PARTS LIST



ITEM NUMBER	FIG. & INDEX NO.	ITEM NUMBER	FIG. & INDEX NO.	ITEM NUMBER	FIG. & INDEX NO.
553E0001	4-1	333Q0001237	4-15	580C0358G09	14-18
553E0001	5-1	333Q0001268	4-9	580C0361G09	3-7
553E0003	4-1	333Q0001810	3-4	580C0361G09	14-18
553E0003	5-1	333Q0001810	3-4	580C0362G09	3-7
553E0004	4-1	333Q0001810	3-4	580C0362G09	14-18
553E0004	5-1	333Q0001810	3-4	580C0400G10	3-7
82402549409	7-2	333Q0001810	7-4	580C0401G10	3-7
82402550809	7-3	333Q0001810	7-4	580C0402G10	3-7
82403549509	7-2	333Q0001810	7-4	580C0404G07	3-7
82403550909	7-3	333Q0001810	7-4	580C0407G07	3-7
82404549609	7-2	333Q0001810	7-4	581C0158G01	1-7
82404551009	7-3	333Q0001810	7-4	581C0158G03	1-7
82406549809	4-18	333Q0001810	7-12	581C0159G01	1-7
82406549809	5-2	333Q0001810	7-12	581C0159G03	1-7
82406549809	10-3	333Q0001810	7-12	581C0160G01	1-7
82406549809	14-11	333Q0001810	7-12	581C0160G03	1-7
82406549809	14-16	531A0105H04	3-1	581C0168G01	1-7
82406551209	5-3	531A0139H01	7-6	581C0168G03	1-7
82406551209	14-12	531A0218H01	4-10	582C0030G01	1-7
82407549909	4-18	531B0099H01	3-8	582C0030G01	14-24
82407549909	5-2	531B0099H01	3-8	582C0030G03	1-7
82407549909	6-1	531B0099H01	3-8	582C0030G03	14-24
82407549909	10-3	531B0099H01	3-8	582C0031G01	1-7
82407549909	14-11	534A0032H02	2-1	582C0031G01	14-24
82407549909	14-16	534A0046H01	2-2	582C0031G03	1-7
82407549909	14-17	534A0662H02	2-4	582C0031G03	14-24
82407551309	5-3	534A0662H03	2-4	582C0032G01	1-7
82407551309	14-12	534A0662H04	2-4	582C0032G01	14-24
82408536209	4-18	534B0062C01	2-2	582C0032G03	1-7
82408536209	5-2	534B0501H01	2-2	582C0032G03	14-24
82408536209	6-1	534C1264H01	2-3	582C0034G01	1-6
82408536209	14-11	534C1264H02	2-3	582C0034G01	14-25
82408536209	14-17	534C1264H03	2-3	639A0152H01	3-6
82408538209	5-3	534C1264H04	2-3	639A0152H01	14-19
82408538209	14-12	534C1264H05	2-3	640D0121H01	13-5
82409536309	10-3	534C1314H01	2-1	640D0133G01	1-5
82409536309	14-16	534C1478H01	2-1	649A0893H01	13-3
82410535409	1-7	534C1478H02	2-1	649D4678H01	13-1
82411535509	1-6	534D0523G02	2-2	649D4688H01	13-1
82411535509	1-7	534D1251H01	2-2	649D4690H01	13-2
82412535609	1-6	534D1251H03	2-2	649D4691H01	13-2
82412535609	1-7	534M0163G02	2-10	649D4692H01	13-2
82413535809	1-6	534M0163G03	2-10	649D4693H01	13-2
82413535809	1-7	534M0163G04	2-10	649D4696H01	13-4
82452022400	1-7	535A0144H01	4-6	649D4697H01	13-4
82452022500	1-7	535C0512G01	1-6	649D4699H01	13-1
82452022600	1-7	535E0113H01	2-5	649D4700H01	13-2
82452022800	1-7	535E0113H11	2-5	649D4720H01	13-4
82452023400	1-7	540D0217G02	3-10	649D4746H01	13-1
82452023500	1-7	540D0217G03	3-11	649D4747H01	13-2
82452023600	1-7	540D0217H06	3-9	649D4798H01	13-4
82452023800	1-7	553A0001H01	4-3	720B0030G01	14-1
111Q0451313	2-2	580C0357G09	3-7	720B0030H02	14-1
333Q0000517	2-9	580C0357G09	14-18	720B0030H03	14-1
333Q0001236	4-13	580C0358G09	3-7	720B0030H04	14-1

ITEM NUMBER	FIG. & INDEX NO.	ITEM NUMBER	FIG. & INDEX NO.	ITEM NUMBER	FIG. & INDEX NO.
720B0030H06	14—1	900A0007H01	4—11	914A0015H03	11—1
720B0030H07	14—1	900A0008H01	4—12	914A0015H13	11—1
720B0030H08	14—1	901A0043D05	4—8	914A0015H14	11—1
720B0030H21	14—1	901A0045D04	3—14	914A0015H15	11—1
720B0030H22	14—1	901A0046D08	6—11	914A0015H16	11—1
720C0044H01	12—1	901A0046D09	6—11	914A0016H02	11—1
720C0044H02	12—1	901A0046D10	10—6	914A0016H02	11—1
720C0044H03	12—1	901A0046D11	10—6	914A0016H20	11—1
720C0045H01	12—1	901A0098H11	4—4	914A0016H23	11—1
720C0045H02	12—1	901A0172H03	6—6	944A0108H05	6—4
720C0045H03	12—1	901A0172H05	6—6	944A0108H07	6—4
720C0058H02	12—1	901A0192H13	14—25	944A0117H01	7—11
720C0058H03	12—1	901A0201H06	14—25	944A0126H06	6—9
720C0058H04	12—1	901A0202H20	2—7	944A0126H08	6—9
720C0058H05	12—1	901A0206H18	14—25	944A0246H09	14—9
720C0063H01	14—25	901A0206H19	14—25	944A0356H02	10—6
720C0078H01	12—1	901A0206H19	14—25	944A0356H03	10—6
720C0078H02	12—1	901A0207H17	14—25	944A0357H02	10—6
720C0078H04	12—1	902A0021H01	3—12	944A0357H03	10—6
720C0078H06	12—1	902A0021H01	4—16	944A0358H02	10—4
720C0079H01	12—1	902A0021H03	4—5	944A0358H03	10—4
720D0281	1—10	902A0021H03	6—12	944A0358H05	10—4
720D0292	1—10	902A0021H03	10—6	944A0360G25	10—6
720D0307	1—10	902A0021H03	10—6	944A0360G26	10—6
720D0319	1—10	905A0007H05	4—14	947A0003H01	3—2
720G0030H05	14—1	905A0012H05	3—13	947A0010H01	7—4
720M0034G04	14—18	913A0047H01	3—4	947A0010H02	7—4
720M0034G05	14—18	913A0047H02	3—4	947A0010H02	7—4
720M0034G06	14—18	913A0047H03	3—4	950A0001H06	10—1
720M0034G07	14—18	913A0047H04	3—4	950A0001H06	14—14
720M0166G01	1—6	913A0092G01	3—4	950A0001H09	10—1
720M0166G01	14—25	913A0092G02	3—4	950A0001H09	14—14
720M0167G01	1—6	913A0092G03	3—4	950A0001H25	10—1
720M0167G01	14—25	913A0092G04	3—4	950A0001H25	14—14
720M0182G01	1—6	913A0095H01	2—2	950A0001H28	10—1
720M0182G01	14—25	913A0098H01	3—6	950A0001H28	14—14
720M0182G02	1—6	913A0100H01	3—6	950A0019H01	14—1
720M0182G02	14—25	913A0146H01	1—6	950A0019H02	14—1
720M0187G01	1—6	913A0146H01	14—20	950A0019H03	14—1
720M0187G01	14—25	913A0146H02	2—11	950A0019H04	14—1
724001424GR	8—2	913A0146H02	4—17	950A0055H07	6—2
724001425GR	8—2	913A0146H02	5—4	950A0055H16	6—2
724001426GR	8—2	913A0146H02	14—20	950A0055H27	6—2
724001428GR	8—2	913A0123H01	3—5	950A0069H03	7—1
724001878GR	8—1	913A0123H11	3—5	950A0069H04	7—1
724001879GR	8—1	913A0123H12	3—5	950A0069H05	7—1
724001880GR	8—1	914A0015H02	11—1	950A0069H07	6—2
724001881GR	8—1	914A0015H02	11—1	950A0069H08	6—2
724008100GR	8—7	914A0015H02	11—1	950A0069H21	7—1
724008102GR	8—7	914A0015H02	11—1	950A0069H22	7—1
724008125GR	8—7	914A0015H02	11—1	950A0069H23	7—1
724008127GR	8—7	914A0015H02	11—1	950A0069H25	6—2
724008150GR	8—7	914A0015H02	11—1	950A0069H25	6—2
724008200GR	8—7	914A0015H03	11—1	950A0069H33	7—1
724008202GR	8—7	914A0015H03	11—1	950A0069H34	7—1

RWF ROTARY SCREW COMPRESSOR UNIT
NUMERICAL PARTS LIST



ITEM NUMBER	FIG. & INDEX NO.	ITEM NUMBER	FIG. & INDEX NO.	ITEM NUMBER	FIG. & INDEX NO.
950A0069H35	7—1	950A0233H01	7—2	951A0053G11	7—11
950A0069H37	6—2	950A0233H02	7—2	951A0053H01	7—11
950A0069H38	6—2	950A0233H03	7—2	951A0054H01	7—11
950A0075H06	6—8	950A0233H03	14—2	951A0056H34	2—9
950A0075H08	6—8	950A0233H03	14—22	951A0092H01	2—8
950A0075H09	6—8	950A0233H05	4—18	951A0092H02	2—8
950A0075H26	6—8	950A0233H05	5—2	951A0092H03	2—8
950A0075H28	6—8	950A0233H05	10—3	951A0092H04	2—8
950A0075H29	6—8	950A0233H05	14—11	951A0092H05	2—8
950A0075H46	6—8	950A0233H05	14—16	951A0092H06	2—8
950A0075H48	6—8	950A0233H06	4—18	951A0094H01	7—12
950A0075H49	6—8	950A0233H06	5—2	951A0094H02	7—12
950A0117H02	7—2	950A0233H06	6—1	951A0094H03	7—12
950A0118H02	7—3	950A0233H06	10—3	951A0094H04	7—12
950A0119H02	7—2	950A0233H06	14—11	951A0094H11	7—12
950A0120H02	7—3	950A0233H06	14—16	951A0094H12	7—12
950A0121H02	7—2	950A0233H06	14—17	951A0094H13	7—12
950A0122H02	7—3	950A0237H03	14—8	951A0094H14	7—12
950A0125H02	10—3	950A0240H09	1—7	952A0019H10	3—7
950A0125H02	14—16	950A0240H10	1—6	952A0019H10	14—18
950A0127H02	10—3	950A0240H10	1—7	952A0020H10	3—7
950A0127H02	14—16	950A0240H11	1—6	952A0020H10	14—18
950A0190G01	7—4	950A0240H11	1—7	952A0021H09	3—7
950A0190G02	7—4	950A0240H12	1—6	952A0021H09	14—18
950A0190G03	7—4	950A0241H07	4—18	952A0022H09	3—7
950A0190H01	7—4	950A0241H07	5—2	952A0022H09	14—18
950A0190H01	7—4	950A0241H07	6—1	952A0051H10	3—7
950A0190H01	7—4	950A0241H07	14—11	952A0052H10	3—7
950A0190H02	7—4	950A0241H07	14—17	952A0053H10	3—7
950A0190H02	7—4	950A0241H08	10—3	952A0055H07	3—7
950A0190H02	7—4	950A0241H08	14—16	952A0058H07	3—7
950A0190H11	7—4	950A0245H01	7—3	954A0008H01	7—10
950A0190H13	7—4	950A0245H02	7—3	954A0008H02	7—10
950A0190H13	7—4	950A0245H03	7—3	954A0008H03	7—10
950A0195H01	6—7	950A0245H05	5—3	954A0033H01	14—10
950A0195H01	14—13	950A0245H05	14—12	954A0033H02	14—10
950A0195H02	6—7	950A0245H06	5—3	954A0047H01	4—19
950A0195H02	14—13	950A0245H06	14—12	954A0047H01	5—5
950A0195H11	6—7	950A0253H07	5—3	954A0047H01	14—10
950A0195H11	6—7	950A0253H07	14—12	954A0053H01	7—5
950A0195H11	14—13	950A0260G01	1—6	954A0053H02	7—5
950A0195H11	14—13	950A0260G01	14—25	954A0053H03	7—5
950A0208G01	1—6	950A0261G01	1—6	954A0053H04	7—5
950A0209G01	1—6	950A0261G01	14—25	954A0053H05	7—5
950A0210G01	1—6	950A0261G03	1—6	954A0053H06	7—5
950A0215G01	7—4	950A0261G03	14—25	954A0053H07	7—5
950A0215G01	7—4	950A0262G01	1—6	954A0053H08	7—5
950A0215G01	7—4	950A0262G01	14—25	954A0053H09	7—5
950A0215G02	7—4	950A0281H01	14—1	954A0053H20	7—5
950A0215G02	7—4	951A0006H07	8—7	954A0053H20	7—5
950A0215G02	7—4	951A0009H03	8—7	954A0053H20	7—5
950A0222H01	6—7	951A0009H05	8—7	954A0053H20	7—5
950A0222H01	14—13	951A0009H07	8—7	954A0053H30	7—5
950A0222H11	6—7	951A0053G01	7—11	954A0053H30	7—5
950A0222H11	14—13	951A0053G01	7—11	954A0053H30	7—5

ITEM NUMBER	FIG. & INDEX NO.	ITEM NUMBER	FIG. & INDEX NO.	ITEM NUMBER	FIG. & INDEX NO.
954A0053H30	7—5	956A0033H03	1—6	959A0057H05	10—4
954A0053H30	7—5	956A0033H03	1—6	959A0057H05	10—6
954A0054H01	7—5	956A0033H03	14—25	959A0057H07	10—4
954A0054H02	7—5	956A0033H04	1—6	959A0057H07	10—5
954A0054H03	7—5	956A0033H04	1—6	959A0057H07	10—6
954A0054H04	7—5	956A0033H04	14—25	959A0057H18	10—4
954A0054H05	7—5	956A0045H01	1—7	959A0065H02	3—15
954A0054H06	7—5	956A0045H02	1—7	959A0082H01	4—2
954A0054H07	7—5	956A0046H01	1—7	959A0089H01	7—5
954A0054H08	7—5	956A0046H02	1—7	959A0089H01	7—5
954A0054H09	7—5	956A0047H01	1—7	959A0089H02	7—4
954A0054H20	7—5	956A0047H02	1—7	959A0089H02	7—4
954A0054H20	7—5	956A9912G01	6—3	959A0089H02	7—5
954A0054H20	7—5	957A0003H01	4—17	959A0089H02	7—5
954A0054H20	7—5	957A0003H01	5—4	959A0089H02	7—5
954A0054H30	7—5	957A0003H01	6—2	959A0089H02	7—5
954A0054H30	7—5	957A0003H01	6—2	959A0089H02	7—5
954A0054H30	7—5	957A0003H01	7—7	959A0089H02	7—5
954A0054H30	7—5	957A0003H01	14—6	959A0089H02	7—5
954A0054H30	7—5	957A0003H02	7—8	959A0089H02	7—5
954A0059H01	4—19	957A0003H02	14—23	959A0089H03	7—4
954A0059H01	5—5	957A0030H01	14—9	959A0089H03	7—5
955A0012H01	3—7	957A0030H02	14—9	959A0089H03	7—5
955A0012H01	3—7	959A0053H01	4—7	959A0089H03	7—5
955A0012H01	14—18	959A0054H06	6—10	959A0089H03	7—5
955A0012H02	3—7	959A0054H08	6—10	959A0089H04	7—5
955A0012H02	3—7	959A0054H25	6—5	959A0089H04	7—5
955A0012H02	14—18	959A0054H27	6—5	959A0089H04	7—5
955A0012H03	3—7	959A0054H30	2—12	959A0089H04	7—5
955A0023H01	3—7	959A0054H30	3—3	959A0098H01	1—6
955A0023H01	14—18	959A0054H31	1—6	959A0098H01	14—25
955A0024H01	3—7	959A0054H31	1—6	960A0066H11	11—1
955A0024H01	14—18	959A0054H31	2—3	960A0066H11	11—1
955B0001H02	3—7	959A0054H31	14—25	960A0066H11	11—1
955B0002H02	3—7	959A0054H32	1—6	960A0066H11	11—1
956A0012G03	6—3	959A0054H32	1—6	960A0066H11	11—1
956A0012G05	6—3	959A0054H32	1—6	960A0066H11	11—1
956A0014H01	11—2	959A0054H32	2—3	960A0066H11	11—1
956A0014H02	11—2	959A0054H32	2—12	960A0066H11	11—1
956A0018H01	14—1	959A0054H32	3—3	960A0066H11	11—1
956A0025H23	10—2	959A0054H32	14—25	960A0066H11	11—1
956A0025H23	14—15	959A0054H32	14—25	960A0066H11	11—1
956A0025H24	10—2	959A0054H33	1—6	960A0066H12	11—1
956A0025H24	14—15	959A0054H33	1—6	960A0066H12	11—1
956A0025H25	10—2	959A0054H33	1—6	960A0066H12	11—1
956A0025H25	14—15	959A0054H33	2—3	960A0073H13	11—1
956A0031H11	14—21	959A0054H33	2—3	960A0073H13	11—1
956A0031H13	14—21	959A0054H33	2—12	960A0073H13	11—1
956A0033H01	1—6	959A0054H33	3—3	960A0073H13	11—1
956A0033H01	1—6	959A0054H33	14—25	960A0082G01	11—1
956A0033H01	14—25	959A0054H33	14—25	960A0082G02	11—1
956A0033H02	1—6	959A0054H34	1—6	960A0082G03	11—1
956A0033H02	1—6	959A0054H34	1—6	960A0082G04	11—1
956A0033H02	14—25	959A0054H34	2—3	960A0082G05	11—1
956A0033H02	14—25	959A0054H34	14—25	960A0082G06	11—1

RWF ROTARY SCREW COMPRESSOR UNIT
NUMERICAL PARTS LIST



ITEM NUMBER	FIG. & INDEX NO.	ITEM NUMBER	FIG. & INDEX NO.	ITEM NUMBER	FIG. & INDEX NO.
960A0082G07	11—1				
960A0082G08	11—1				
960A0082G09	11—1				
960A0082G10	11—1				
960A0082G11	11—1				
960A0082G12	11—1				
960A0082G13	11—1				
960A0082G14	11—1				
960A0082H01	11—1				
960A0082H01	11—1				
960A0082H01	11—1				
960A0082H01	11—1				
960A0082H01	11—1				
960A0082H01	11—1				
960A0082H01	11—1				
960A0082H01	11—1				
960A0082H01	11—1				
960A0082H01	11—1				
960A0082H01	11—1				
960A0082H01	11—1				
960A0082H02	11—1				
960A0082H02	11—1				
960A0082H02	11—1				
960A0083G01	11—1				
960A0083G02	11—1				
960A0083G03	11—1				
960A0083G04	11—1				
960A0083H01	11—1				
960A0083H01	11—1				
960A0083H01	11—1				
960A0083H01	11—1				
980A0012K60	7—13				
980A0012K62	7—6				
980A0012K66	7—14				
980A0012K66	14—4				
980A0012K69	7—14				
980A0014A60	2—6				
980A0014K58	14—5				
980A0014K58	14—7				
980A0014K60	2—1				
980A0014K64	14—3				
990A0011H02	7—9				

NOTES

NOTES

NOTES

Form 070-600 SPL (0802)
Supersedes: S70-600 SPL (0300)
Subject to change without notice
Published in USA - PDF

© 2009 Johnson Controls Inc. - ALL RIGHTS RESERVED



JOHNSON CONTROLS
100 CV Avenue • P.O. Box 997
Waynesboro, PA USA 17268-0997
Phone: 717-762-2121 • FAX: 717-762-8624
www.johnsoncontrols.com