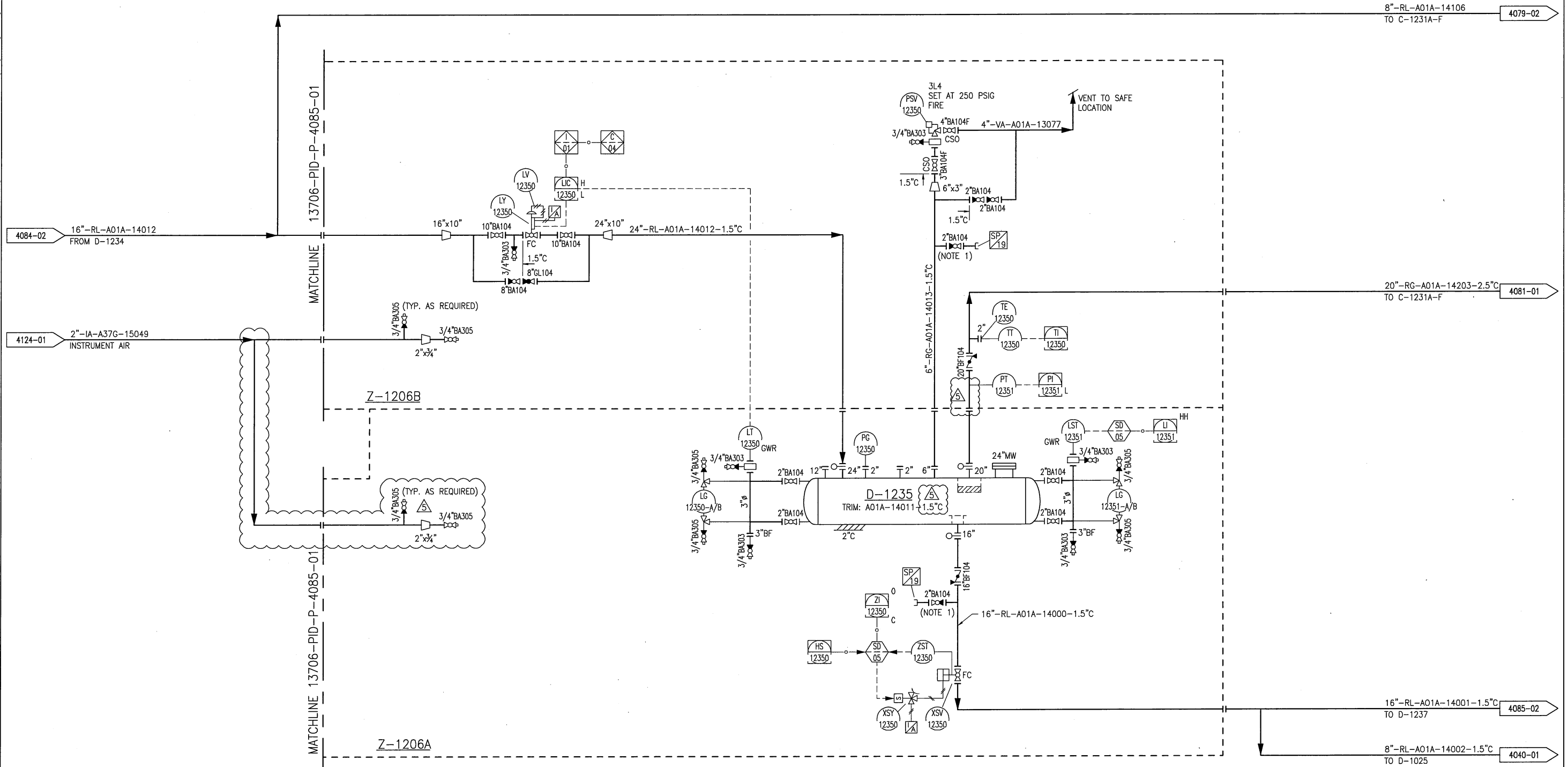
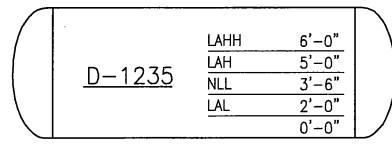


D-1235
 REFRIGERANT HIGH LEVEL ECONOMIZER
 SIZE: 9'-0" I.D. x 31'-0" S/S
 DESIGN: 250 PSIG AT 150°/-20°F
 MATERIAL: C.S.



NOTES:
 1. REFRIG. RECOVERY VALVE



REV	DATE	BY	DESCRIPTION	CHK	ENGR	APPR	CLIENT	SCALE	DATE	DRAWING NO.	REV
4	04SEP09	AG	RE-ISSUED FOR CONSTRUCTION	DR	RM	PW				1370601	
3	17JUL09	JL	RE-ISSUED FOR CONSTRUCTION	DR	RM	PW					
2	11MAY09	AG	RE-ISSUED FOR CONSTRUCTION	DR	RM	PW					
1	20MAR09	AG	RE-ISSUED FOR CONSTRUCTION	DR	HR	PW					
0	30JAN09	CY	ISSUED FOR CONSTRUCTION	DR	HR	PW					
D	20NOV08	AG	ISSUED FOR HAZOP	DR	HR	PW					
C	31OCT08	AG	ISSUED FOR DESIGN	DR	HR	PW					
B	02OCT08	RBG	ISSUED FOR REVIEW	DR	HR	PW					
5	05FEB10	AG	RE-ISSUED FOR CONSTRUCTION	DR	RM	PW					

PROJECT NO: 1370601		SANDRIDGE CENTURY GAS PLANT			
DESIGNED BY:		DRAWN BY: H. MAZOCH 09MAY08			
CHECKED BY: D. RICHERT		PIPING & INSTRUMENT DIAGRAM			
APPROVED BY:		REFRIGERANT HIGH LEVEL			
		ECONOMIZER			
SCALE:		DATE:		DRAWING NO: 13706-PID-P-4087-01	
				REV: 5	

This document is the sole and exclusive property of Mustang Engineering, L.P. Its use is restricted to the project and site for which it was prepared. It is not to be used for any other project or site without the written consent of Mustang Engineering, L.P. The user is notified that the user's equipment, not the equipment of Mustang Engineering, L.P., is used in the preparation of this document. Mustang Engineering, L.P. and its affiliates do not warrant the accuracy or completeness of the information contained herein.

BASED ON DWG-ENG-1104 REV 2