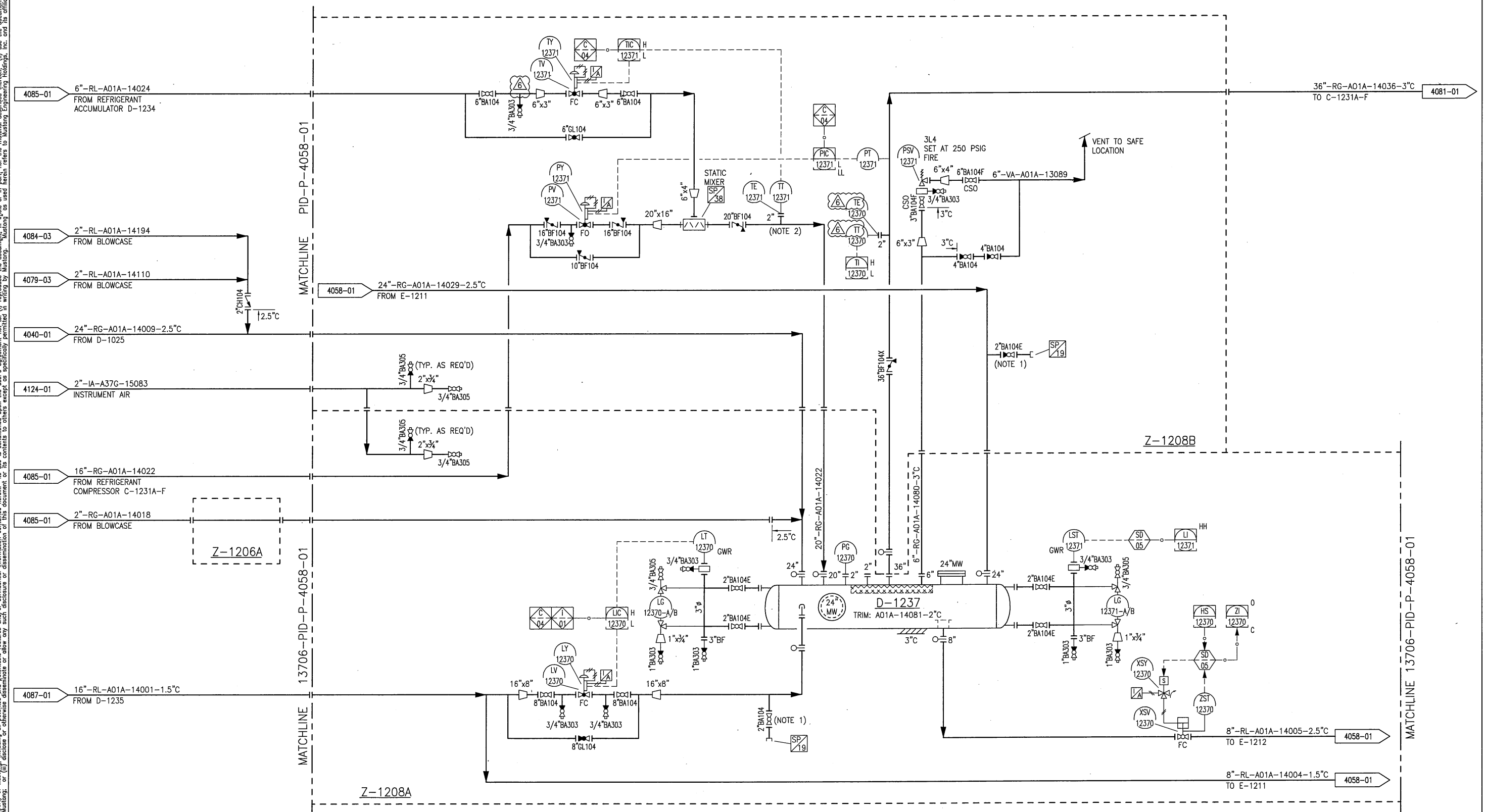
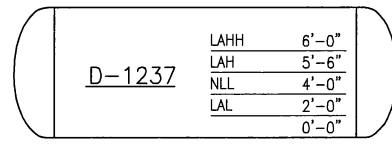


**D-1237**  
 REFRIGERANT LOW LEVEL ECONOMIZER  
 SIZE: 10'-0" I.D. x 28'-0" S/S  
 DESIGN: 250 PSIG AT 150°F/-20°F  
 MATERIAL: C.S.



- NOTES:**  
 1. LOCATE REFRIG. RECOVERY VALVE AT GRADE.  
 2. LOCATE TE-12371 MINIMUM OF 5 DIAMETERS DOWNSTREAM OF STATIC MIXER.



REV	DATE	BY	DESCRIPTION	CHK	ENGR	APPR	CLIENT
4	04SEP09	AG	RE-ISSUED FOR CONSTRUCTION	DR	RM	PW	
3	17JUL09	JL	RE-ISSUED FOR CONSTRUCTION	DR	RM	PW	
2	11MAY09	AG	RE-ISSUED FOR CONSTRUCTION	DR	RM	PW	
1	20MAR09	AG	RE-ISSUED FOR CONSTRUCTION	DR	HR	PW	
0	30JAN09	CY	ISSUED FOR CONSTRUCTION	DR	HR	PW	
D	20NOV08	AG	ISSUED FOR HAZOP	DR	HR	PW	
C	31OCT08	AG	ISSUED FOR DESIGN	DR	HR	PW	
6	31MAR10	AG	RE-ISSUED FOR CONSTRUCTION	DR	RM	PW	
5	05FEB10	AG	RE-ISSUED FOR CONSTRUCTION	DR	RM	PW	

**MUSTANG ENGINEERING, L.P.**

PROJECT NO: 1370601

DESIGNED BY: H. MAZUCH  
 DRAWN BY: H. MAZUCH  
 CHECKED BY: D. RICHERT  
 APPROVED BY:

**SANDRIDGE CENTURY GAS PLANT**

PIPING & INSTRUMENT DIAGRAM  
 REFRIGERANT  
 LOW LEVEL ECONOMIZER

DRAWING NO: 13706-PID-P-4085-02

REV: 6

This document is the sole and exclusive property of Mustang Engineering, L.P. and its subsidiaries. It is to be used only for the project and location specified herein. No part of this document may be reproduced, stored in a retrieval system, or transmitted in any form or by any means, electronic, mechanical, photocopying, recording, or by any information storage and retrieval system, without the prior written permission of Mustang Engineering, L.P. and its subsidiaries.

BASED ON DWG-ENG-1104 REV 2