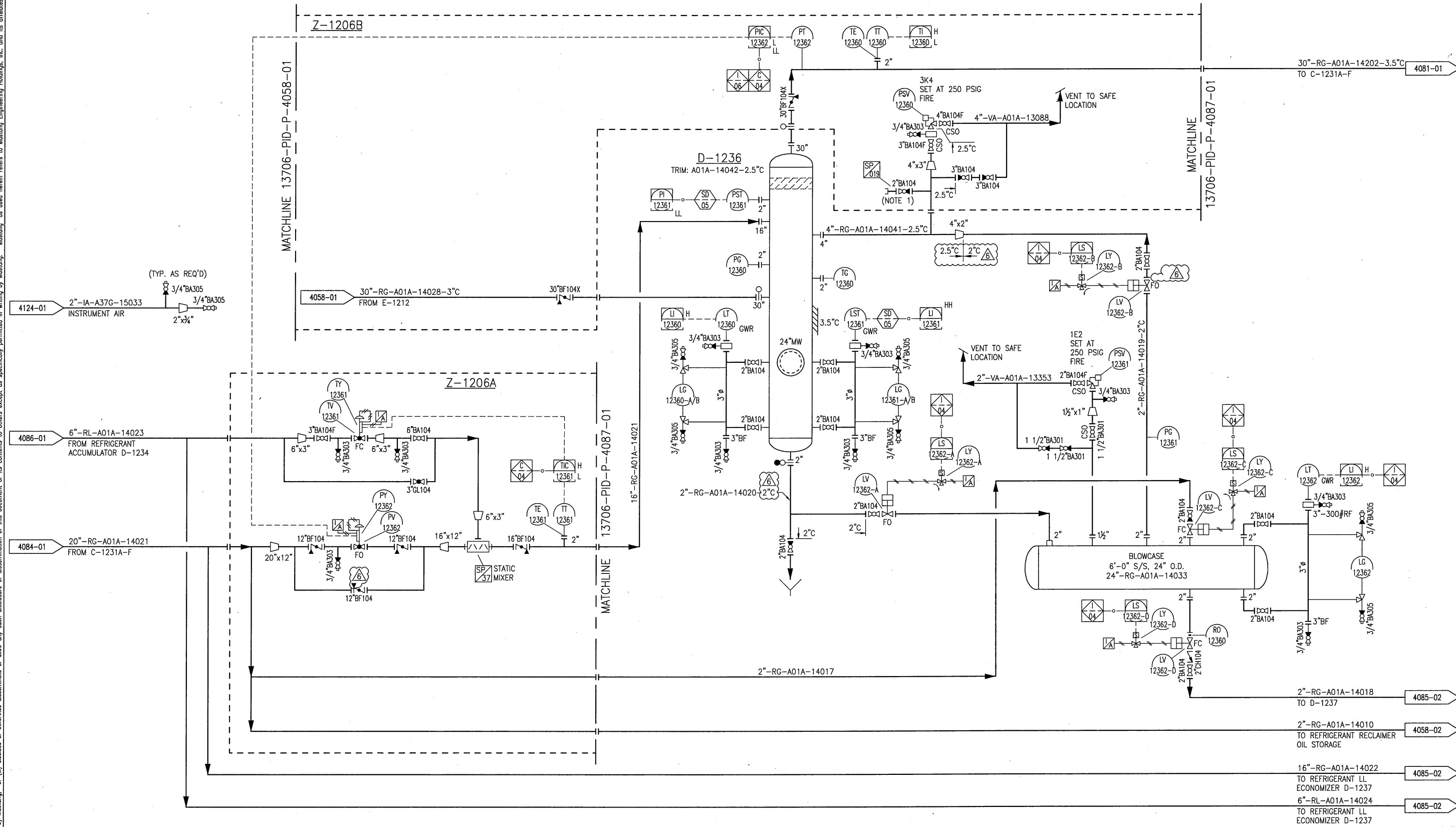
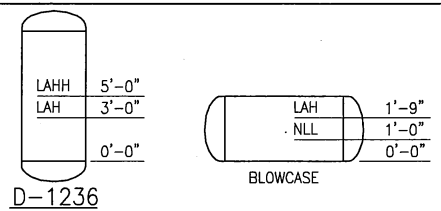


D-1236
 REFRIGERANT SUCTION SCRUBBER
 SIZE: 10'-0" I.D. x 16'-0" S/S
 DESIGN: 250 PSIG AT 150°/-20°F
 MATERIAL: C.S.



NOTES:
 1. REFRIG. RECOVERY VALVE



REV	DATE	BY	DESCRIPTION	CHK	ENGR	APPR	CLIENT	SCALE
4	04SEP09	AG	RE-ISSUED FOR CONSTRUCTION	DR	RM	PW		
3	17JUL09	JL	RE-ISSUED FOR CONSTRUCTION	DR	RM	PW		
2	11MAY09	AG	RE-ISSUED FOR CONSTRUCTION	DR	RM	PW		
1	20MAR09	AG	RE-ISSUED FOR CONSTRUCTION	DR	HR	PW		
0	30JAN09	CY	ISSUED FOR CONSTRUCTION	DR	HR	PW		
D	20NOV08	AG	ISSUED FOR HAZOP	DR	HR	PW		
C	31OCT08	AG	ISSUED FOR DESIGN	DR	HR	PW		
6	31MAR10	AG	RE-ISSUED FOR CONSTRUCTION	DR	HR	PW		
5	06FEB10	AG	RE-ISSUED FOR CONSTRUCTION	DR	HR	PW		

MUSTANG ENGINEERING, L.P.

PROJECT NO: 1370601

DESIGNED BY: []

DRAWN BY: H. MAZUCH 12MAY08

CHECKED BY: D. RICHERT

APPROVED BY: []

SANDRIDGE CENTURY GAS PLANT

PIPING & INSTRUMENT DIAGRAM
 REFRIGERANT SUCTION
 SCRUBBER

DRAWING NO: 13706-PID-P-4085-01

REV: 6

This document is the sole and exclusive property of Mustang Engineering, L.P. Its use is restricted to the user's agreement, in whole or in part, for the project described herein. No part of this document may be reproduced, stored in a retrieval system, or transmitted in any form or by any means, electronic, mechanical, photocopying, recording, or otherwise, without the prior written permission of Mustang Engineering, L.P. The user agrees to hold Mustang Engineering, L.P. harmless for any purpose other than as specifically permitted in writing by Mustang Engineering, L.P.

BASED ON DWG-ENG-1104 REV 2