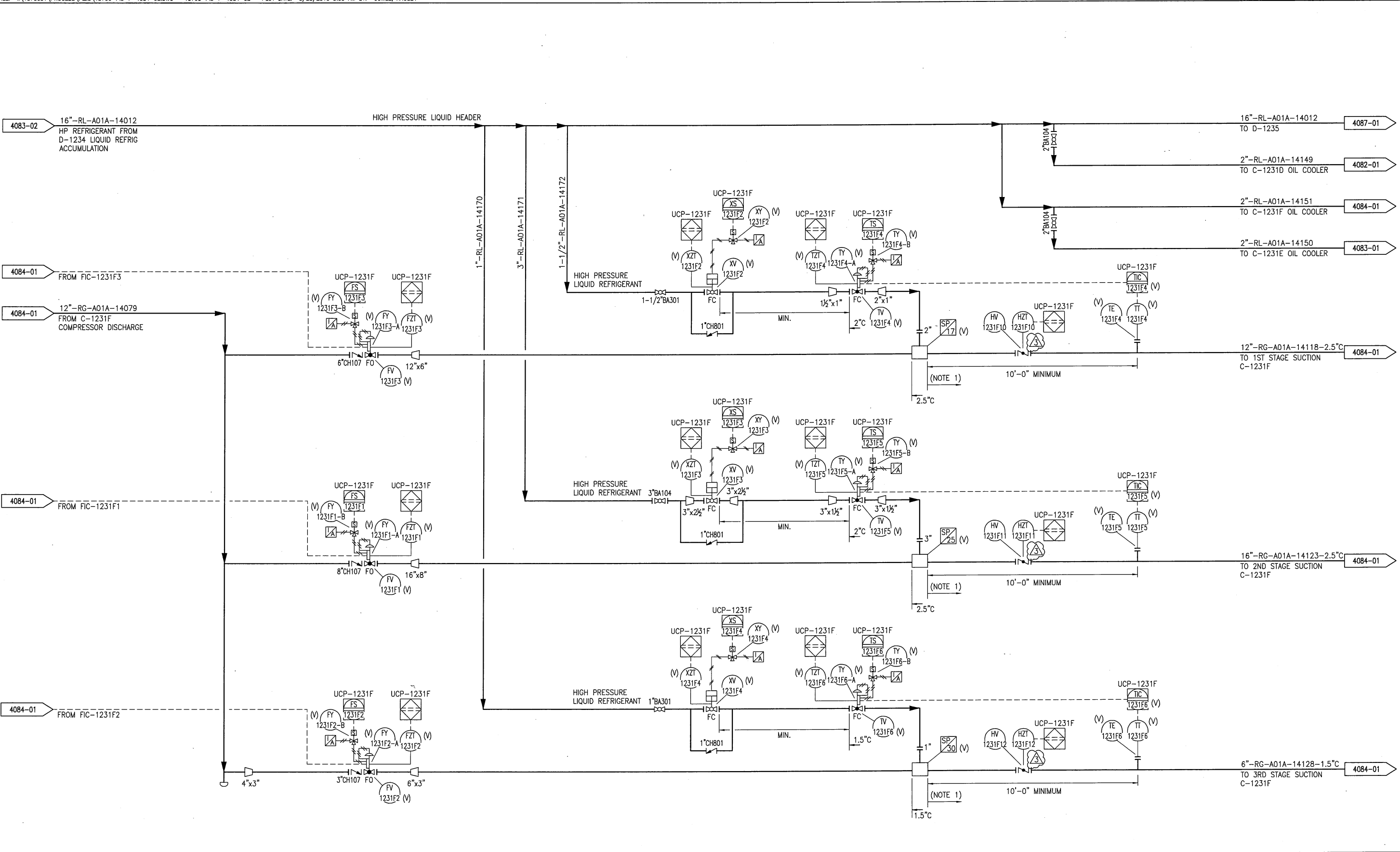


This document is the sole and exclusive property of Mustang Engineering, L.P. Its use is restricted to the project and site for which it was prepared. It is not to be used for any other purpose without the written consent of Mustang Engineering, L.P. The user is responsible for the accuracy of the information contained herein and for its use. No warranty is made by Mustang Engineering, L.P. for any purpose other than as specifically permitted in writing by Mustang Engineering, L.P. or its affiliates.



NOTES:  
1. MINIMUM 5 PIPE DIAMETERS STRAIGHT-RUN DOWNSTREAM REQUIRED.

				<b>MUSTANG ENGINEERING, L.P.</b>				<b>SANDRIDGE CENTURY GAS PLANT</b>	
				PROJECT NO: 1370601				SANDRIDGE CENTURY GAS PLANT	
				DESIGNED BY: J. SCHLEIER				PIPING & INSTRUMENT DIAGRAM	
				CHECKED BY: D. RICHERT				REFRIGERANT COMPRESSOR C-1231F	
				APPROVED BY:				DRAWING NO: 13706-PID-P-4084-02	
REV	DATE	BY	DESCRIPTION	CHK	ENGR	APPR	CLIENT	SCALE: NONE	DATE
3	31MAR10	AG	RE-ISSUED FOR CONSTRUCTION	DR	RM	PW			
2	05FEB10	AG	RE-ISSUED FOR CONSTRUCTION	DR	RM	PW			
1	17JUL09	JL	RE-ISSUED FOR CONSTRUCTION	DR	RM	PW			
0	11MAY09	AG	ISSUED FOR CONSTRUCTION	DR	RM	PW			
B	20MAR09	AG	ISSUED FOR HAZOP #3	DR	HR	PW			
A	30JAN09	AR	ISSUED FOR HAZOP #2	DR	HR	PW			
REV	DATE	BY	DESCRIPTION	CHK	ENGR	APPR	CLIENT	SCALE: NONE	DATE

BASED ON DWG-ENG-1104 REV 2