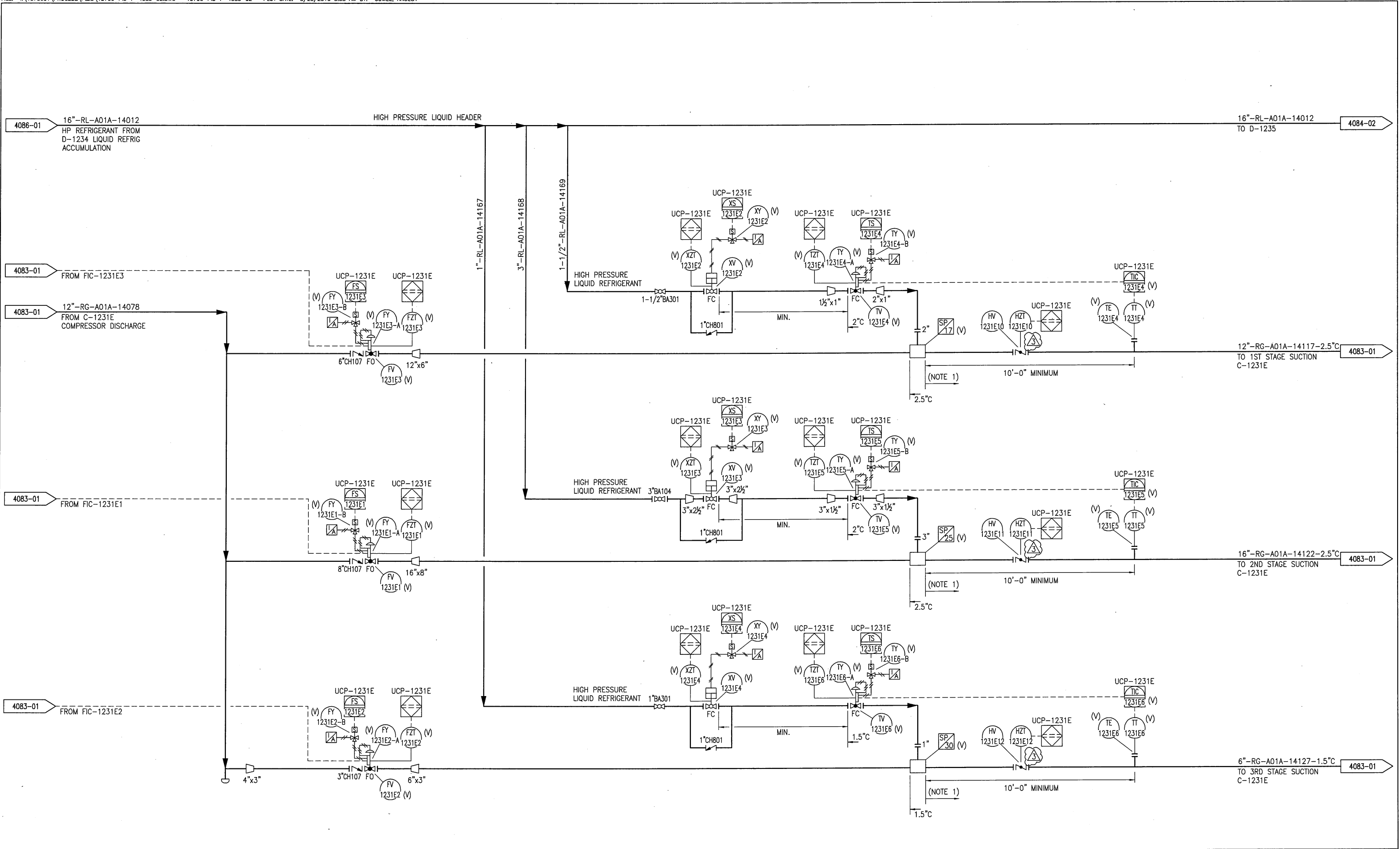


This document is the sole and exclusive property of Mustang Engineering, L.P. and its affiliates. It is to be used for the project and site only. No part of this document may be reproduced, stored in a retrieval system, or transmitted in any form or by any means, electronic, mechanical, photocopying, recording, or by any information storage and retrieval system, without the prior written permission of Mustang Engineering, L.P. and its affiliates.



NOTES:
 1. MINIMUM 5 PIPE DIAMETERS STRAIGHT-RUN DOWNSTREAM REQUIRED.

<table border="0"> <tr> <td colspan="3"></td> <td colspan="3" style="text-align: right;"> </td> </tr> <tr> <td colspan="3"></td> <td colspan="3" style="text-align: right;"> </td> </tr> <tr> <td colspan="3"></td> <td colspan="3" style="text-align: right;"> </td> </tr> </table>																								PROJECT NO: 1370601		SANDRIDGE CENTURY GAS PLANT	
DESIGNED BY:		DRAWN BY: K. CROMPTON		30JAN09																							
CHECKED BY: D. RICHERT		APPROVED BY:		DATE:																							
SCALE: NONE		DATE:		DRAWING NO: 13706-PID-P-4083-02																							
REV: 3		DATE:		REV: 3																							

BASED ON DWG-ENG-1104 REV 2