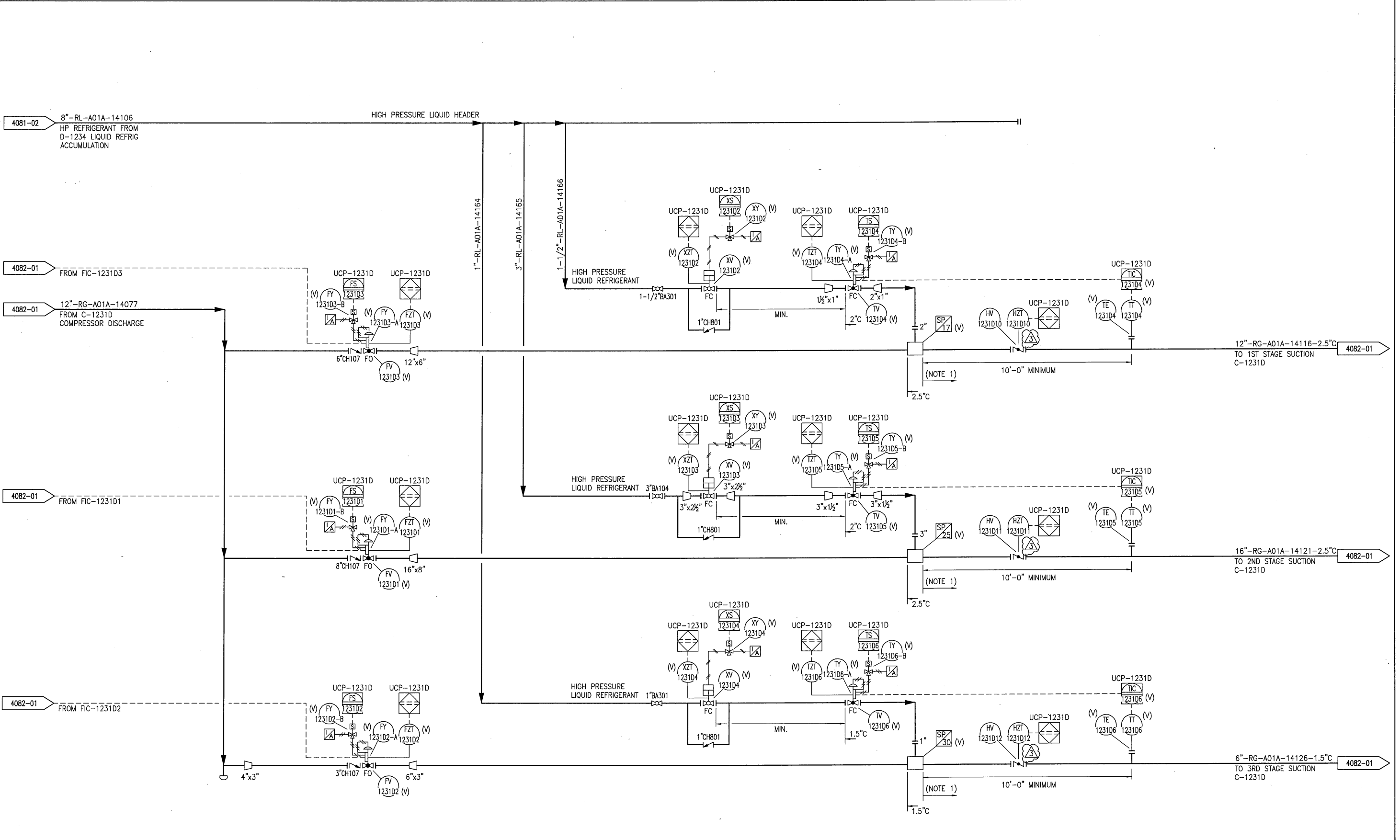


This document is the sole and exclusive property of Mustang Engineering, L.P. and its affiliates. It is to be used only for the project and site specifically identified herein. No part of this document may be reproduced, stored in a retrieval system, or transmitted in any form or by any means, electronic, mechanical, photocopying, recording, or by any information storage and retrieval system, without the prior written permission of Mustang Engineering, L.P. and its affiliates.



**NOTES:**  
 1. MINIMUM 5 PIPE DIAMETERS STRAIGHT-RUN DOWNSTREAM REQUIRED.

REV	DATE	BY	DESCRIPTION	CHK	ENGR	APPR	CLIENT	SCALE	DATE	DRAWING NO.	REV
3	31MAR10	AG	RE-ISSUED FOR CONSTRUCTION	DR		PW				PROJECT NO: 1370601 SANDRIDGE CENTURY GAS PLANT PIPING & INSTRUMENT DIAGRAM REFRIGERANT COMPRESSOR C-1231D	REV: 3
2	05FEB10	AG	RE-ISSUED FOR CONSTRUCTION	DR		PW					
1	17JUL09	JL	RE-ISSUED FOR CONSTRUCTION	DR		PW					
0	11MAY09	AG	ISSUED FOR CONSTRUCTION	DR		PW					
B	20MAR09	AG	ISSUED FOR HAZOP #3	DR		PW					
A	30JAN09	KC	ISSUED FOR HAZOP #2	DR		PW					
MUSTANG ENGINEERING, L.P.								SANDRIDGE		SandRidge	
PROJECT NO: 1370601								SANDRIDGE CENTURY GAS PLANT		PIPING & INSTRUMENT DIAGRAM REFRIGERANT COMPRESSOR C-1231D	
DESIGNED BY:								DRAWN BY: J. SCHLEIER		30JAN09	
CHECKED BY: D. RICHERT								APPROVED BY:		DATE:	
SCALE: NONE								DATE:		DRAWING NO: 13706-PID-P-4082-02	