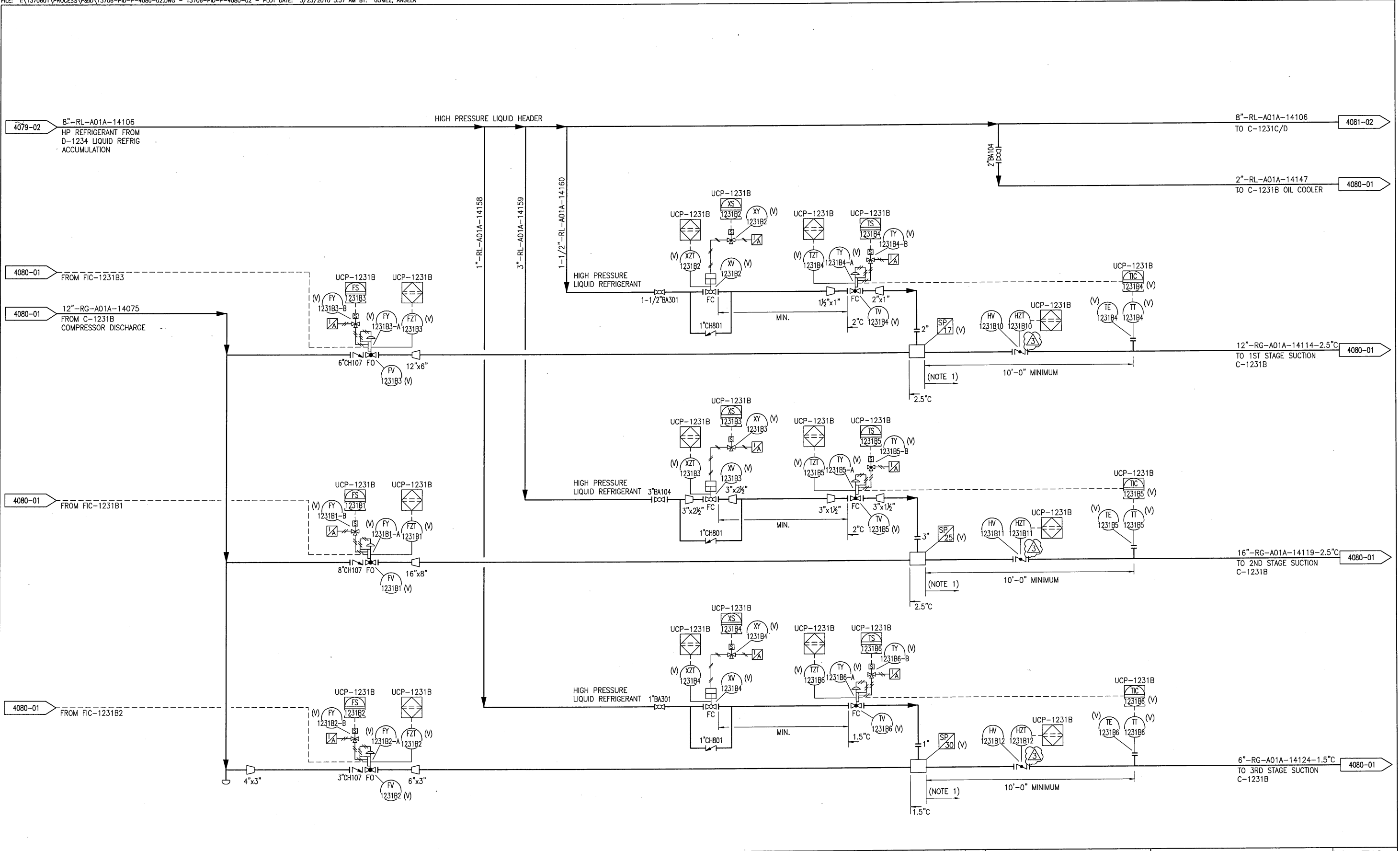


This document is the sole and exclusive property of Mustang Engineering, L.P. Its use is restricted to the use specified herein. It is not to be used for any other purpose without the written consent of Mustang Engineering, L.P. The user is responsible for the accuracy of the information contained herein. No warranty is made by Mustang Engineering, L.P. for the accuracy of the information contained herein. The user is responsible for the accuracy of the information contained herein. No warranty is made by Mustang Engineering, L.P. for the accuracy of the information contained herein.



NOTES:  
 1. MINIMUM 5 PIPE DIAMETERS STRAIGHT-RUN DOWNSTREAM REQUIRED.

<table border="0"> <tr> <td colspan="3"> </td> <td colspan="3"> </td> <td colspan="3"> </td> </tr> <tr> <td colspan="6">                 PROJECT NO: 1370601             </td> <td colspan="6">                 SANDRIDGE CENTURY GAS PLANT             </td> </tr> <tr> <td colspan="6">                 DESIGNED BY:             </td> <td colspan="6">                 DRAWN BY: K. CROMPTON 29JAN09             </td> </tr> <tr> <td colspan="6">                 CHECKED BY: D. RICHERT             </td> <td colspan="6">                 APPROVED BY:             </td> </tr> <tr> <td colspan="6">                 SCALE: NONE             </td> <td colspan="6">                 DATE:             </td> </tr> <tr> <td colspan="6">                 DRAWING NO: 13706-PID-P-4080-02             </td> <td colspan="6">                 REV: 3             </td> </tr> </table>															PROJECT NO: 1370601						SANDRIDGE CENTURY GAS PLANT						DESIGNED BY:						DRAWN BY: K. CROMPTON 29JAN09						CHECKED BY: D. RICHERT						APPROVED BY:						SCALE: NONE						DATE:						DRAWING NO: 13706-PID-P-4080-02						REV: 3					
PROJECT NO: 1370601						SANDRIDGE CENTURY GAS PLANT																																																																				
DESIGNED BY:						DRAWN BY: K. CROMPTON 29JAN09																																																																				
CHECKED BY: D. RICHERT						APPROVED BY:																																																																				
SCALE: NONE						DATE:																																																																				
DRAWING NO: 13706-PID-P-4080-02						REV: 3																																																																				
REV	DATE	BY	DESCRIPTION	CHK	ENGR	APPR	CLIENT	SCALE	DATE	DRAWING NO:	REV:																																																															
3	31MAR10	AG	RE-ISSUED FOR CONSTRUCTION	DR	HR	PW	K																																																																			
2	05FEB10	AG	RE-ISSUED FOR CONSTRUCTION	DR	RM	PW																																																																				
1	17JUL09	JL	RE-ISSUED FOR CONSTRUCTION	DR	RM	PW																																																																				
0	11MAY09	AG	ISSUED FOR CONSTRUCTION	DR	RM	PW																																																																				
B	20MAR09	AG	ISSUED FOR HAZOP #3	DR	HR	PW																																																																				
A	30JAN09	KC	ISSUED FOR HAZOP #2	DR	HR	PW																																																																				

BASED ON DWG-ENG-1104 REV 2