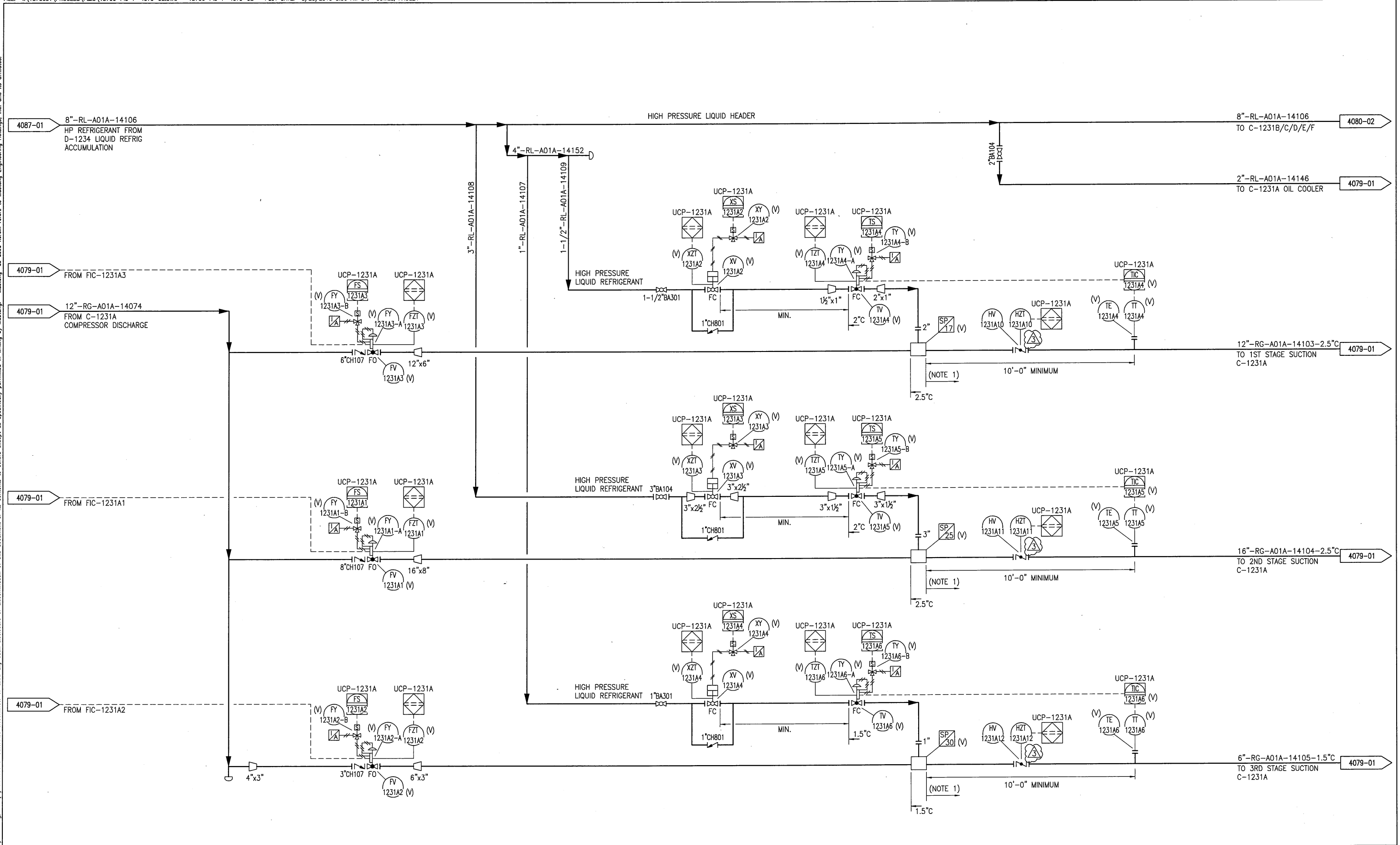


This document is the sole and exclusive property of Mustang Engineering, L.P. It is to be used for the project and site only. It is not to be reproduced, stored in a retrieval system, or transmitted in any form or by any means, electronic, mechanical, photocopying, recording, or by any information storage and retrieval system, without the prior written permission of Mustang Engineering, L.P. The use of this document for any purpose other than as specifically permitted in writing by Mustang Engineering, L.P. is prohibited. Information contained herein is confidential and its disclosure or dissemination to others without the prior written permission of Mustang Engineering, L.P. is prohibited. This document is the property of Mustang Engineering, L.P. and its contents are not to be disclosed or otherwise disseminated or allow any such disclosure or dissemination of this document or its contents to others without the prior written permission of Mustang Engineering, L.P.



NOTES:
1. MINIMUM 5 PIPE DIAMETERS STRAIGHT-RUN DOWNSTREAM REQUIRED.

<table border="0"> <tr> <td>3</td> <td>31MAR10</td> <td>AG</td> <td>RE-ISSUED FOR CONSTRUCTION</td> <td>DR</td> <td>PW</td> </tr> <tr> <td>2</td> <td>05FEB10</td> <td>AG</td> <td>RE-ISSUED FOR CONSTRUCTION</td> <td>DR</td> <td>PW</td> </tr> <tr> <td>1</td> <td>17JUL09</td> <td>JL</td> <td>RE-ISSUED FOR CONSTRUCTION</td> <td>DR</td> <td>PW</td> </tr> <tr> <td>0</td> <td>11MAY09</td> <td>AG</td> <td>ISSUED FOR CONSTRUCTION</td> <td>DR</td> <td>PW</td> </tr> <tr> <td>B</td> <td>20MAR09</td> <td>AG</td> <td>ISSUED FOR HAZOP #3</td> <td>DR</td> <td>PW</td> </tr> <tr> <td>A</td> <td>30JAN09</td> <td>AR</td> <td>ISSUED FOR HAZOP #2</td> <td>DR</td> <td>PW</td> </tr> </table>						3	31MAR10	AG	RE-ISSUED FOR CONSTRUCTION	DR	PW	2	05FEB10	AG	RE-ISSUED FOR CONSTRUCTION	DR	PW	1	17JUL09	JL	RE-ISSUED FOR CONSTRUCTION	DR	PW	0	11MAY09	AG	ISSUED FOR CONSTRUCTION	DR	PW	B	20MAR09	AG	ISSUED FOR HAZOP #3	DR	PW	A	30JAN09	AR	ISSUED FOR HAZOP #2	DR	PW	<p>PROJECT NO: 1370601</p> <p>DESIGNED BY: A.RODAS</p> <p>CHECKED BY: D. RICHERT</p> <p>APPROVED BY:</p>		<p>MUSTANG ENGINEERING, L.P.</p> <p>SANDRIDGE CENTURY GAS PLANT</p> <p>PIPING & INSTRUMENT DIAGRAM</p> <p>REFRIGERANT COMPRESSOR C-1231A</p>		<p>DRAWN BY: A.RODAS</p> <p>DATE: 22JAN09</p>	
3	31MAR10	AG	RE-ISSUED FOR CONSTRUCTION	DR	PW																																										
2	05FEB10	AG	RE-ISSUED FOR CONSTRUCTION	DR	PW																																										
1	17JUL09	JL	RE-ISSUED FOR CONSTRUCTION	DR	PW																																										
0	11MAY09	AG	ISSUED FOR CONSTRUCTION	DR	PW																																										
B	20MAR09	AG	ISSUED FOR HAZOP #3	DR	PW																																										
A	30JAN09	AR	ISSUED FOR HAZOP #2	DR	PW																																										
REV	DATE	BY	DESCRIPTION	CHK	ENGR	APPR	CLIENT	SCALE: NONE	DATE	DRAWING NO: 13706-PID-P-4079-02	REV: 3																																				

BASED ON DWG-ENG-1104 REV 2