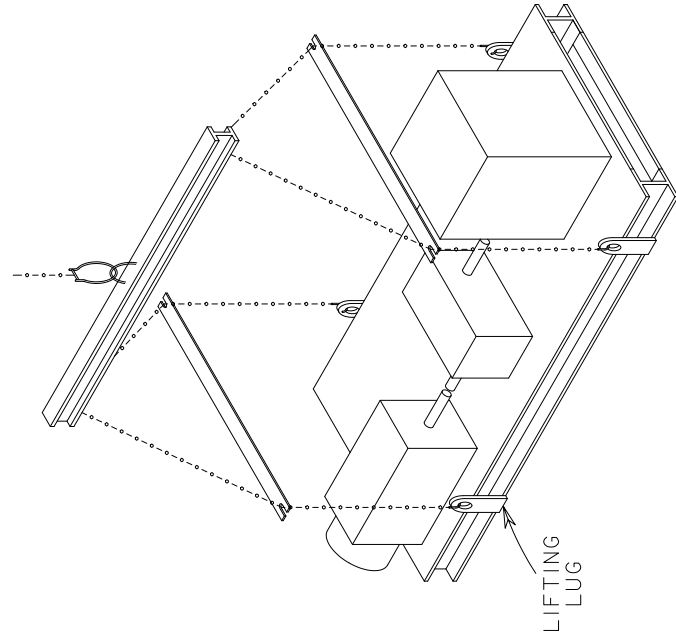
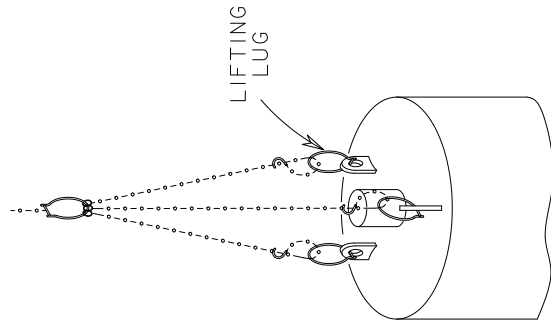


RIGGING

THE RIGGING DETAILS SHOWN ARE TYPICAL SUGGESTED METHODS. IN MANY CASES SHELLS AND OTHER COMPONENTS WILL BE VERY LARGE AND HEAVY. EXPERIENCED RIGGERS SHOULD USE THE VERY BEST EQUIPMENT AND THEIR EXPERT RIGGING KNOWLEDGE TO RIG THESE UNIT COMPONENTS. THE RIGGER SHOULD ALWAYS CONSULT THE FINAL CERTIFIED CONSTRUCTION DRAWINGS AND PHYSICAL DATA GIVEN TO HIM WITH THE JOB SPECIFICATIONS TO DETERMINE THE WEIGHT AND SIZE OF ALL MAJOR COMPONENTS. WHEN RIGGING THE DRIVELINE, ENSURE THAT LIFTING CHAINS DO NOT CONTACT OR DAMAGE PIPING OR ELECTRICAL COMPONENTS ON THE DRIVELINE ASSEMBLY.

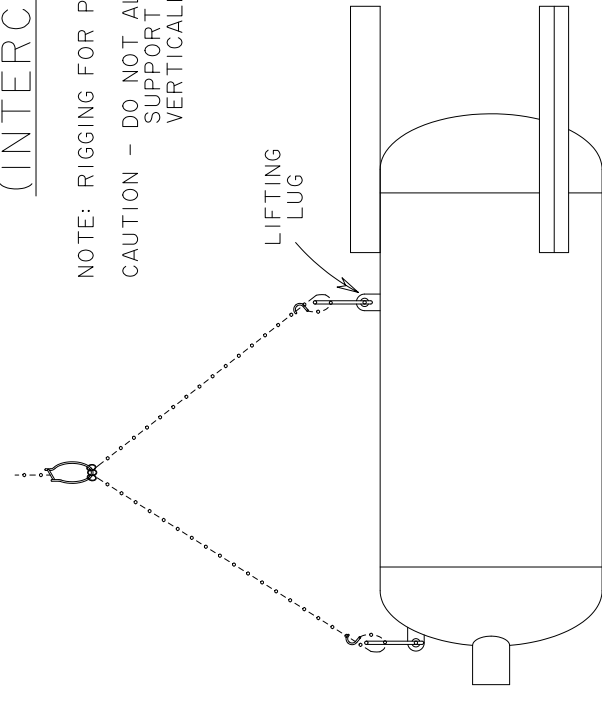


DRIVELINE



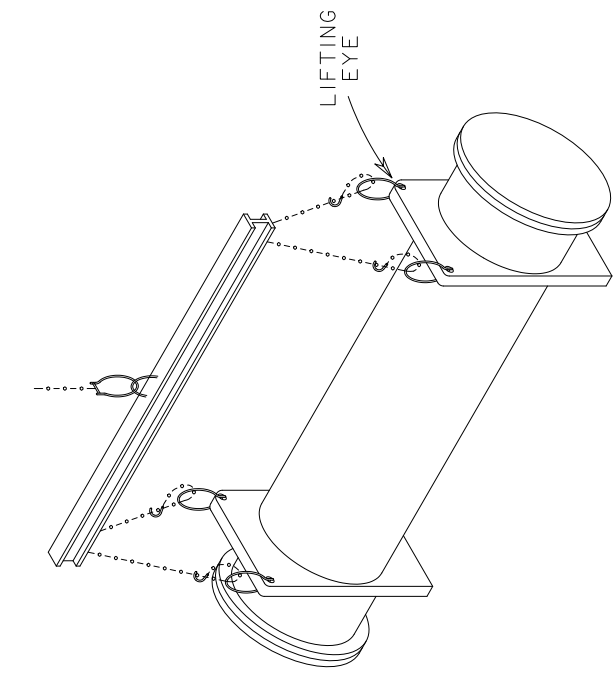
VERTICAL FLASH ECONOMIZER (INTERCOOLER)

NOTE: RIGGING FOR POSITION IN PLACE
CAUTION - DO NOT ALLOW WEIGHT ON SUPPORT LEGS WHEN RIGGING VERTICALLY IN PLACE

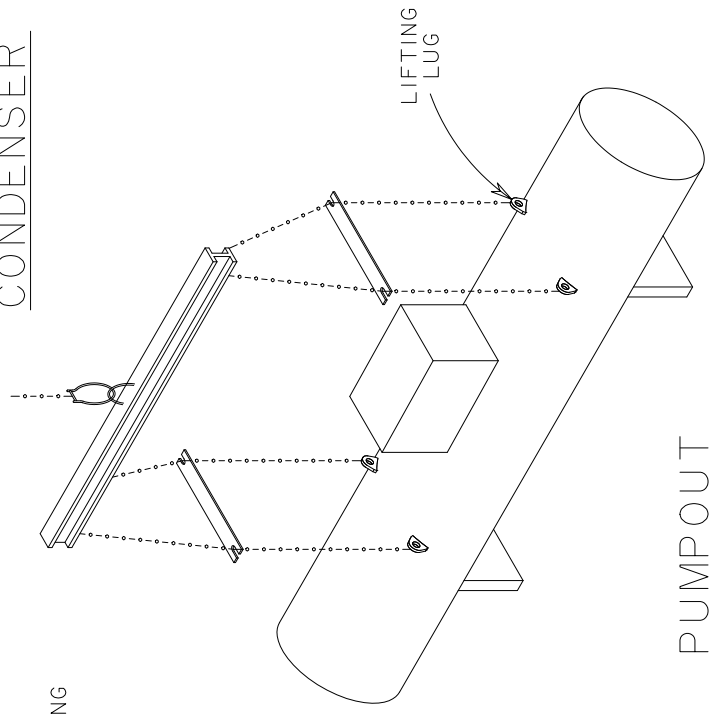


VERTICAL FLASH ECONOMIZER (INTERCOOLER)

NOTE: OFF LOADING RIGGING
CAUTION - DO NOT ALLOW WEIGHT ON SUPPORT LEGS WHEN RIGGING VERTICALLY IN PLACE



EVAPORATOR OR CONDENSER



PUMPOUT RECEIVER

REV. LEV.	DATE	REVISION RECORD	CHG. NO.	DR.	CK.	REV. LEV.	DATE	REVISION RECORD	CHG. NO.	DR.	CK.
-	NEW		6807 6206								
A	12-11-07	ADD HORIZ. VIEW OF VERT. INTER-COOLER	6807 6292	DJP	ARS						
B	03-10-08	ROTATED LIFTING LUGS-RECEIVER	6807 6260	KLS	KLS						

DIMENSIONS ARE IN INCHES TOLERANCES PER ENG. STD. M-282 WELDING PER ENG. STD. M-30 REF. DWG.		DWG-RIGGING COMPONENTS OM-TITAN		MATERIAL TYPE _____ ENG. STD. _____ PART NO. _____ CUT SIZE _____	
NAME DR. D.J. PETROSKIE APPR. A.R. SHANKO SCALE: N.T.S.	DATE 06-14-07 06-14-07	SIZE C	CAGE NO. 66935	DRAWING NUMBER 077-25017-000	
WT. =	LBS.	ORIG. NO. 077-25017	SHEET		

YORK INTERNATIONAL CORPORATION
YORK, PA. 17405