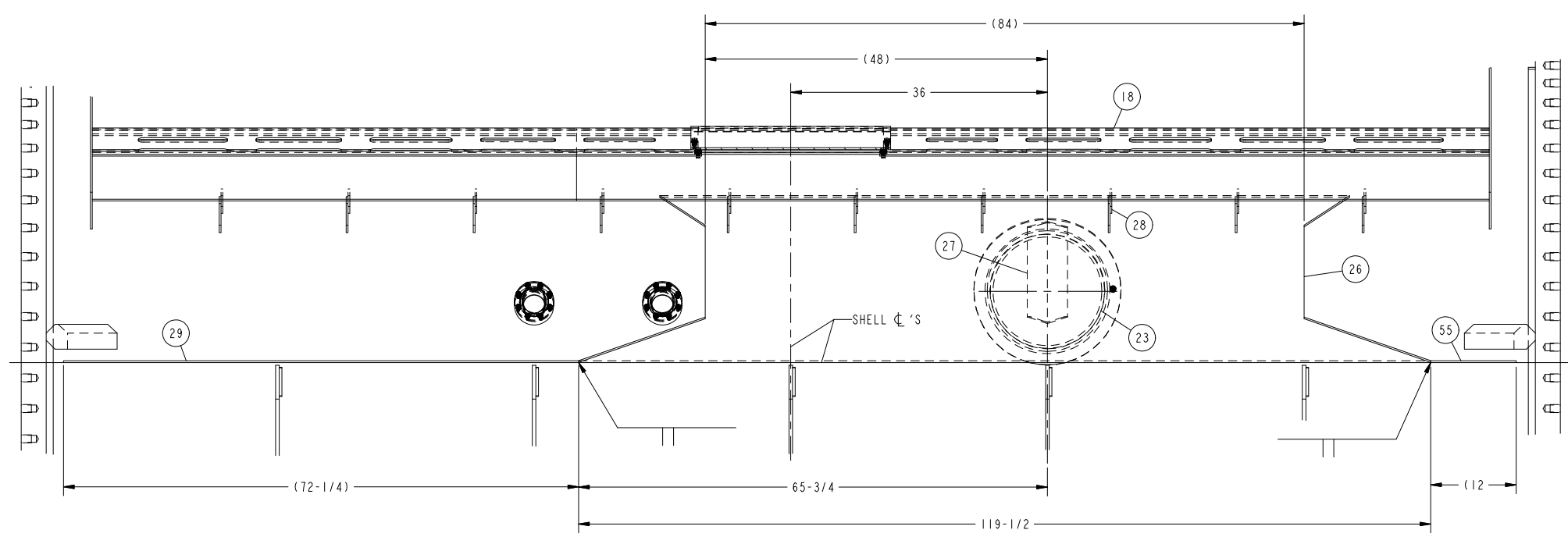
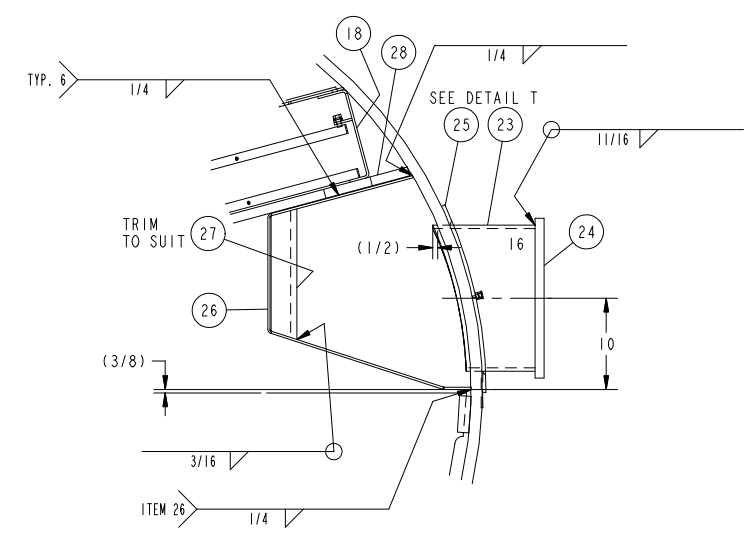


DETAIL R
TYP. BOTH ENDS



DETAIL W



| REV. | DATE | EC. NO. | DR. | CHK. | ENG. |
|--|-------------|-----------|-----|------|------|
| G | 02-APR-2011 | CS11-0206 | MJV | MJV | |
| SHT. 2: REVISED WELDING AT LOC. C-5. | | | | | |
| SHT. 3: REVISED ITEMS 7, 8 AND 9 IN SECT. B-B; ADDED (2) ITEM T3 IN SECT. B-B. | | | | | |

CONTINUED

ALL PROPRIETARY RIGHTS IN THE SUBJECT MATTER HEREOF ARE RESERVED AND NO PERMISSION IS GRANTED TO REPRODUCE THIS PRINT IN WHOLE OR IN ANY PART, OR DISCLOSE ANY OF THE INFORMATION UPON IT TO OTHERS WITHOUT WRITTEN RELEASE BY YORK INTERNATIONAL CORPORATION

| | | | |
|--|--|---|--|
| | | YORK INTERNATIONAL CORPORATION YORK, PA 17405 | |
| DIMENSIONS ARE IN INCHES DO NOT SCALE TOLERANCES PER ENG. STD. M-282 | | DWG-EVAPORATOR 92 ID X 18 LG Y CL B 3 PASS, 3948 TUBES 300/180 DWP TITAN | |
| DRAWN M. J. VANBUREN 15-SEP-2010 MODELER M. J. VANBUREN 03-SEP-2010 CHKD M. J. VANBUREN 24-SEP-2010 ENG | | MATERIAL ENG. STD. PART NO. CUT SIZE | |
| SCALE: .012 WEIGHT: | | CAGE NUMBER 66935 DRAWING NUMBER 077-31990-000 | |
| ORIG. NO.: 077-28921D REV. A | | SHEET 4 OF 5 REVISION 6 VERSTON 9 RELEASED | |