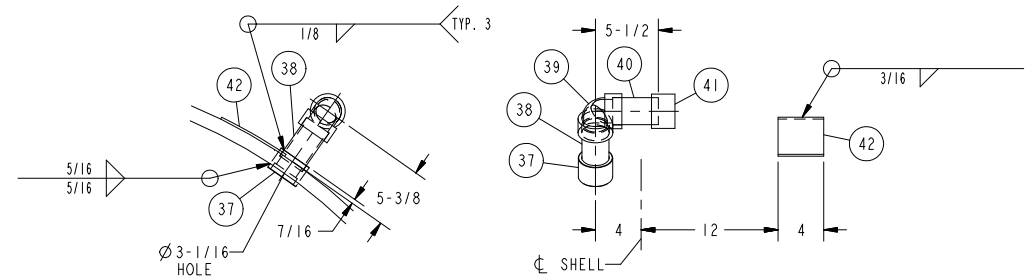
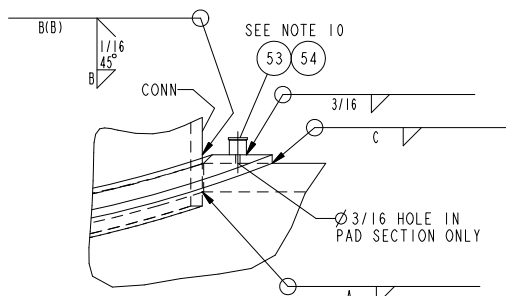


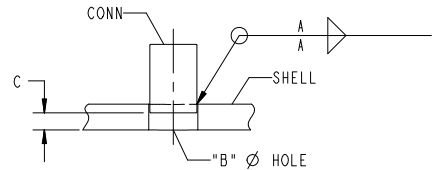
**SECTION B-B**  
(ISOLATOR SUPPORTS NOT SHOWN)



**DETAIL M**



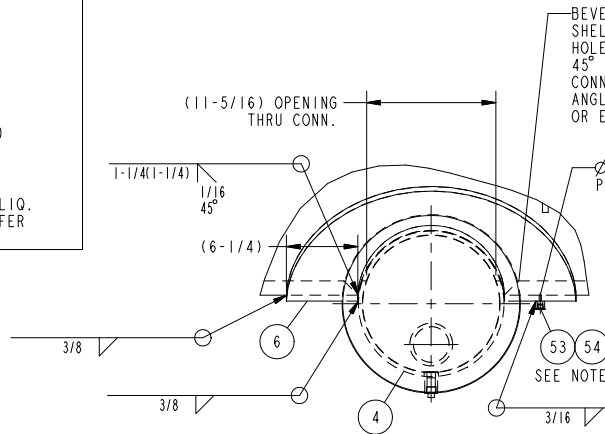
**DETAIL T**



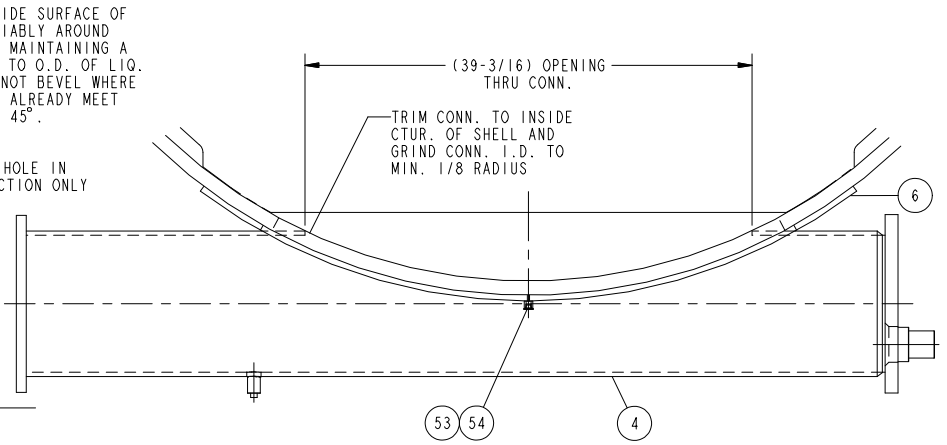
**DETAIL V**

CONN SIZE	A	B	C
16"	3/8	3/8	5/16
30"	1/2	3/8	5/16

CONN SIZE	A	B	C
1/2 NPT	3/16	1-3/16	1/4
3/4 NPT	3/16	1-7/16	1/4
1-1/4 SW	5/16	2-5/16	3/8
2 SW	5/16	3-1/16	3/8



**DETAIL C**



REV.	DATE	EC. NO.	DR.	CHK.	ENG.
G	02-APR-2011	CS11-0206	MJV	MJV	
SHT. 2: REVISED WELDING AT LOC. C-5.					
SHT. 3: REVISED ITEMS 7, 8 AND 9 IN SECT. B-B; ADDED (2) ITEM 73 IN SECT. B-B.					

CONTINUED

"ALL PROPRIETARY RIGHTS IN THE SUBJECT MATTER HEREOF ARE RESERVED AND NO PERMISSION IS GRANTED TO REPRODUCE THIS PRINT IN WHOLE OR IN ANY PART, OR DISCLOSE ANY OF THE INFORMATION UPON IT TO OTHERS WITHOUT WRITTEN RELEASE BY YORK INTERNATIONAL CORPORATION"

**YORK INTERNATIONAL** YORK, PA 17405

YORK INTERNATIONAL CORPORATION  
YORK, PA 17405

DWG-EVAPORATOR  
92 10 X 18 LG Y CL B  
3 PASS, 3948 TUBES  
300/180 DWP TITAN

MATERIAL  
ENG. STD.  
PART NO.  
CUT SIZE

SCALE: .012 WEIGHT: ORG. NO.: 077-28921D REV. A SHEET 3 OF 5

DRAWN M. J. VANBUREN 15-SEP-2010  
MODELER M. J. VANBUREN 03-SEP-2010  
CHKD M. J. VANBUREN 24-SEP-2010  
ENG

CAGE NUMBER 66935 DRAWING NUMBER 077-31990-000

REVISION 6  
VERSTON 9  
RELEASED