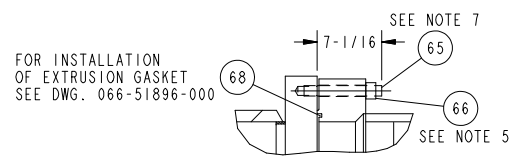
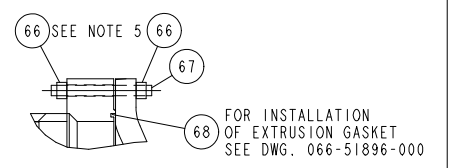


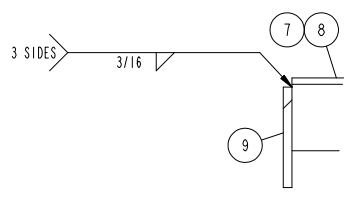
SECTION A-A



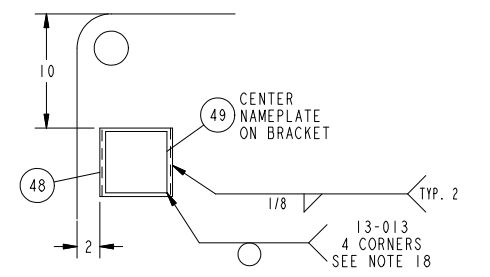
DETAIL Y
TYP. BOTH ENDS



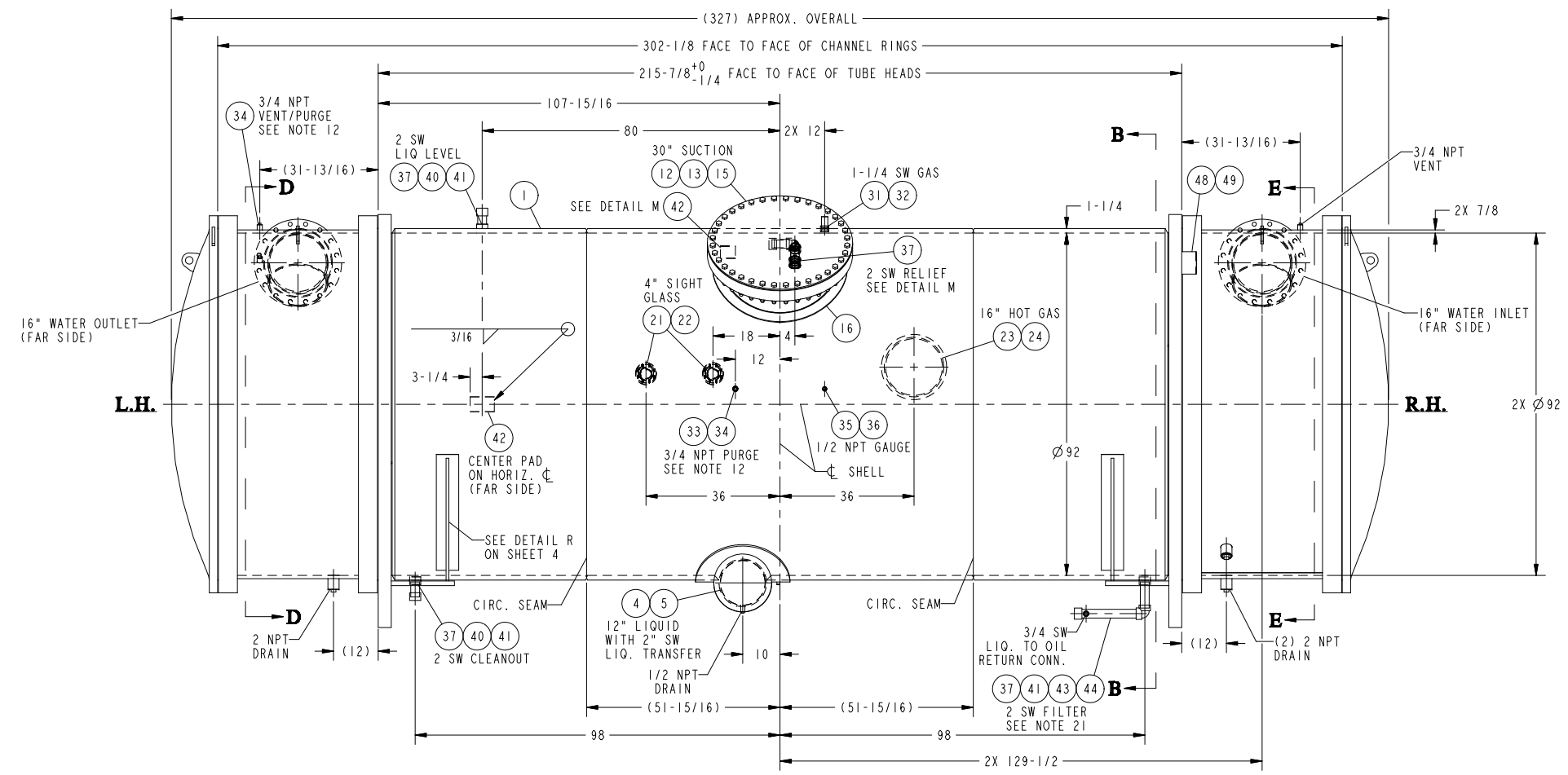
DETAIL Z
TYP. BOTH ENDS



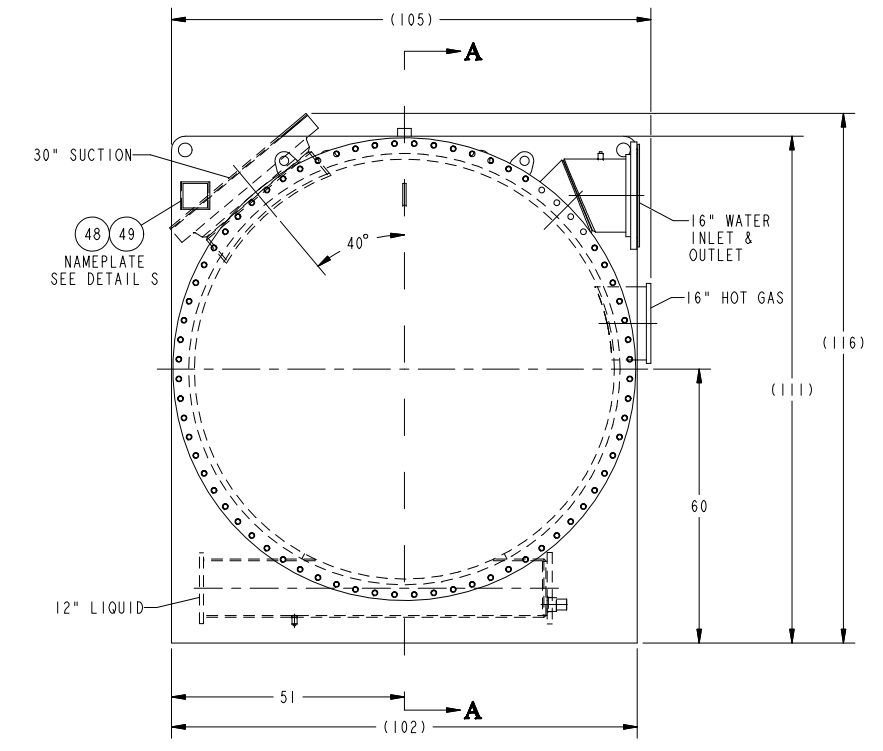
DETAIL X
(TYP. 2 PLACES)



DETAIL S



ELEVATION VIEW



REV.	DATE	EC. NO.	DR.	CHK.	ENG.
G	02-APR-2011	CS11-0206	MJV	MJV	
SHT. 2: REVISED WELDING AT LOC. C-5.					
SHT. 3: REVISED ITEMS 7, 8 AND 9 IN SECT. B-B; ADDED (2) ITEM 73 IN SECT. B-B.					

CONTINUED

"ALL PROPRIETARY RIGHTS IN THE SUBJECT MATTER HEREOF ARE RESERVED AND NO PERMISSION IS GRANTED TO REPRODUCE THIS PRINT IN WHOLE OR IN ANY PART, OR DISCLOSE ANY OF THE INFORMATION UPON IT TO OTHERS WITHOUT WRITTEN RELEASE BY YORK INTERNATIONAL CORPORATION"

		YORK INTERNATIONAL CORPORATION YORK, PA 17405	
DIMENSIONS ARE IN INCHES DO NOT SCALE TOLERANCES PER ENG. STD. M-282		DWG-EVAPORATOR 92 ID X 18 LG Y CL B 3 PASS, 3948 TUBES 300/180 DWP TITAN	
DRAWN M. J. VANBUREN 15-SEP-2010	MODELER M. J. VANBUREN 03-SEP-2010	CAGE NUMBER 66935	DRAWING NUMBER 077-31990-000
CHKD M. J. VANBUREN 24-SEP-2010	ENG	D	REVISION 6 VERSTON 9 RELEASED
SCALE: .012	WEIGHT:	ORIG. NO.: 077-28921D REV. A	SHEET 2 OF 5