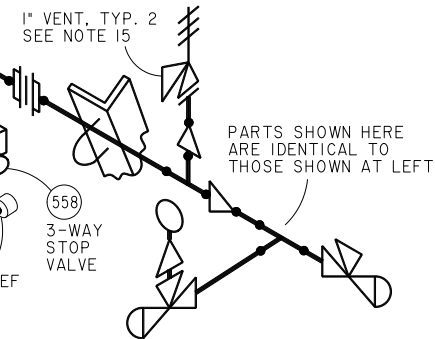
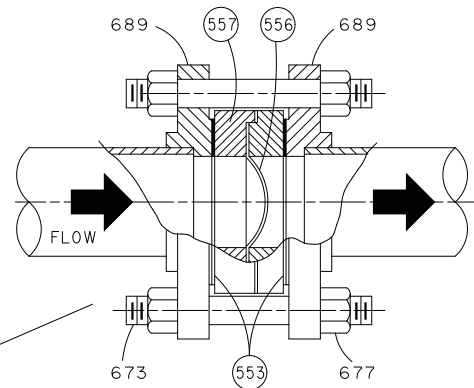
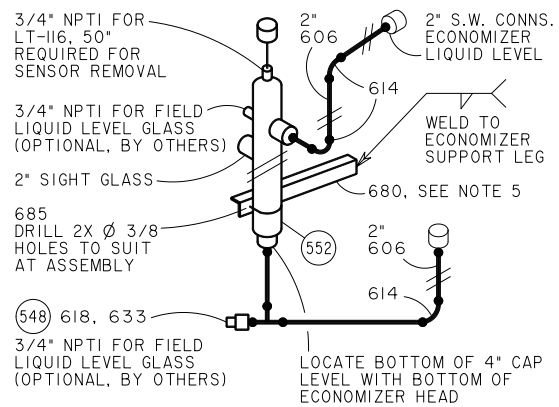


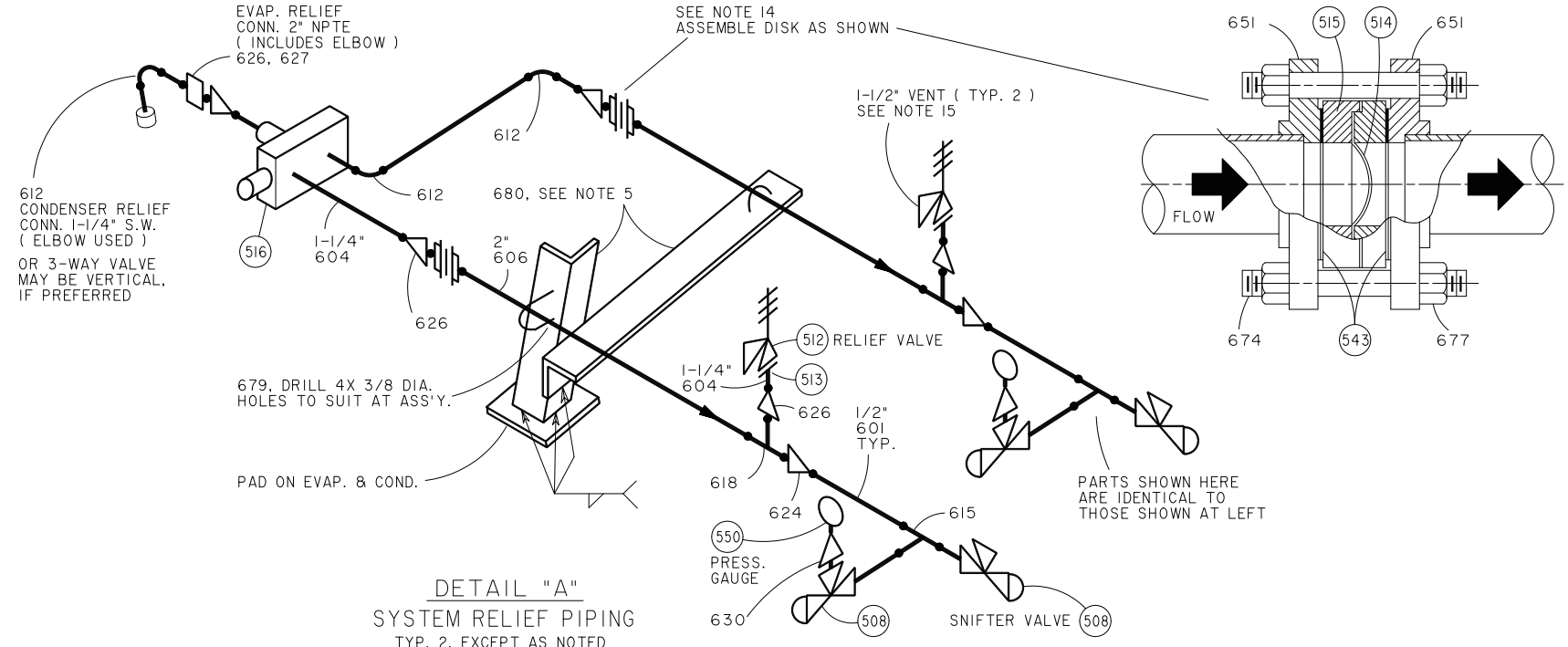
DETAIL "E"
SYSTEM RELIEF PIPING
ECONOMIZER
VIEWED FROM RELIEF PIPING SIDE OF ECONOMIZER.
NOTE: 2 ADDITIONAL ELBOWS (ITEM 611) PROVIDED
TO RELOCATE HEADER, IF REQ'D.



DETAIL "C"
EVAPORATOR LIQUID LEVEL INDICATOR



DETAIL "D"
ECONOMIZER LIQUID LEVEL CONTROL
VIEWED FROM CONTROL PIPING SIDE OF ECONOMIZER.



DETAIL "A"
SYSTEM RELIEF PIPING
TYP. 2, EXCEPT AS NOTED

EVAPORATOR

VIEWED FROM RELIEF PIPING SIDE OF EVAPORATOR. PIPE RUNS TOWARD OPPOSITE END FROM HOT GAS PIPING EVEN IF HOT GAS IS NOT IN STANDARD LOCATION.

NOTE: 2 ADDITIONAL ELBOWS (ITEM 612) PROVIDED TO RELOCATE HEADER, IF REQ'D.

CONDENSER

NOTE: 2 ADDITIONAL ELBOWS (ITEM 612) PROVIDED TO RELOCATE HEADER, IF REQ'D.

REV. LEV.	DATE	REVISION RECORD	CHG. NO.	DR.	CK.	REV. LEV.	DATE	REVISION RECORD	CHG. NO.	DR.	CK.	REV. LEV.	DATE	REVISION RECORD	CHG. NO.	DR.	CK.
-	NEW		CS10 0365														
A	2-22-10	CHANGED TO OM-5090 IN TITLE.	CS10 0523	MEB	MEB												

ALL PROPRIETARY RIGHTS IN THE SUBJECT MATTER HEREOF ARE RESERVED, AND NO PERMISSION IS GRANTED TO REPRODUCE THIS PRINT IN WHOLE OR IN PART, OR DISCLOSE ANY OF THE INFORMATION UPON IT TO OTHERS WITHOUT WRITTEN RELEASE BY YORK INTERNATIONAL CORPORATION.

YORK INTERNATIONAL CORPORATION
YORK, PA. 17405

DIMENSIONS ARE IN INCHES DO NOT SCALE TOLERANCES PER ENG. STD. M-282 WELDING PER ENG. STD. M-30 REF. DWG.	KIT, PIPING, SYSTEM OM - 5090 REFRIGERANT - 134a NEMA - I	MATERIAL TYPE _____ ENG. STD. _____ PART NO. _____ CUT SIZE _____
NAME DR. M.E. BAUGHMAN APPR. M.E. BAUGHMAN SCALE: NTS	DATE 09-22-10 09-24-10	SIZE D
CAGE NO. 66935	DRAWING NUMBER 023-25214-002	WT. = _____ LBS.
ORIG. NO. 023-25214-002		SHEET 4 OF 5