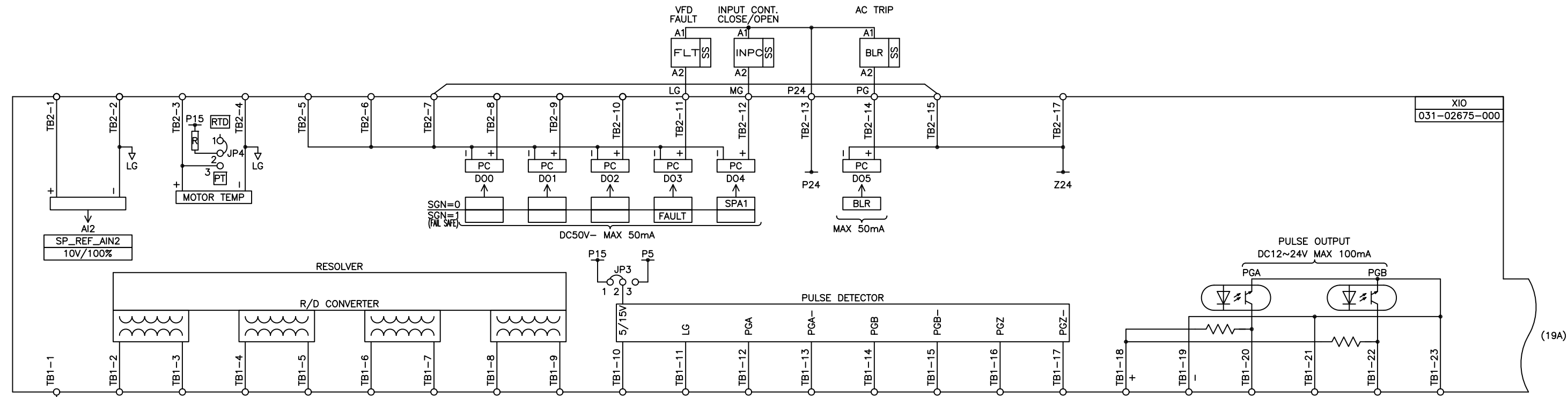


XIO JUMPER SETTINGS			
JUMPER	EXPLANATION	SILKSCREEN	SETTING
JP3	Pulse Generator (PG) power supply level selection. "P15" = +15VDC power supply "P5" = +5VDC power supply	[PT5]	1-2
		[P5]	2-3
		[PT]	2-3
JP4	Motor temperature sensor type selection. External transducer required when using 100 ohm sensor. "PT" = 1k ohm platinum motor temperature sensor "RTD" = 100 ohm platinum motor temperature sensor	[PT]	2-3
		[RTD]	1-2

FLT		INPC		BLR	
a	20Y	b	--	a	20D
b	--	b	--	b	--
c	--	b	--	c	20D
d	--	b	--	d	--



XIO
031-02675-000

(19A)

YORK INTERNATIONAL CORPORATION
YORK, PA .17405

REV. LEV.	DATE	REVISION RECORD	CHG. NO.	DR.	CK.	REV. LEV.	DATE	REVISION RECORD	CHG. NO.	DR.	CK.	REV. LEV.	DATE	REVISION RECORD	CHG. NO.	DR.	CK.
6						13						20					
5						12						19					
4						11						18					
3						10						17					
2						9						16					
1						8						15					
0	08/24/06	FIRST ISSUE		OB	AL	7						14					

ALL PROPRIETARY RIGHTS IN THE SUBJECT MATTER HEREOF ARE RESERVED, AND NO PERMISSION IS GRANTED TO REPRODUCE THIS PRINT IN WHOLE OR IN PART, OR DISCLOSE ANY OF THE INFORMATION UPON IT TO OTHERS WITHOUT WRITTEN RELEASE BY YORK INTERNATIONAL CORPORATION.

DIMENSIONS ARE IN INCHES DO NOT SCALE TOLERANCES PER ENG. STD. M-282 WELDING PER ENG. STD. M-30 REF. DWG.		EXTERNAL I/O (1)		MATERIAL TYPE _____ ENG. STD. _____ PART NO. _____ CUT SIZE _____	
DR. _____	DATE _____	SIZE D	CAGE NO. _____	DRAWING NUMBER 1808K518	
APPR. _____	SCALE: _____	WT. = _____	LBS. _____	ORIG. NO. _____	SHEET 11 of 15