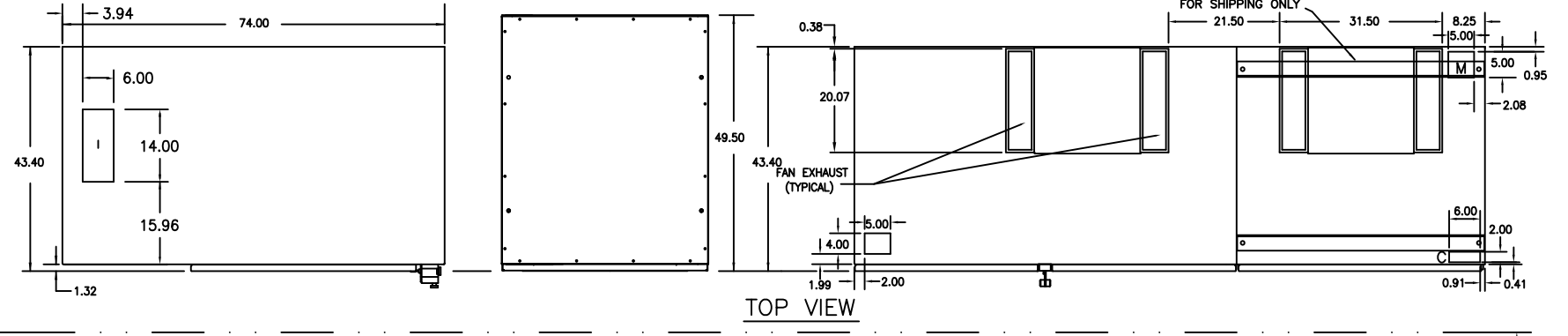
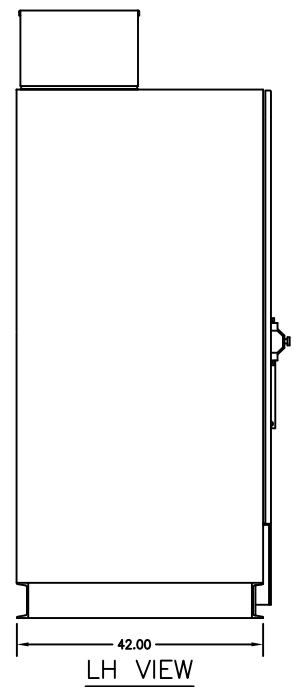


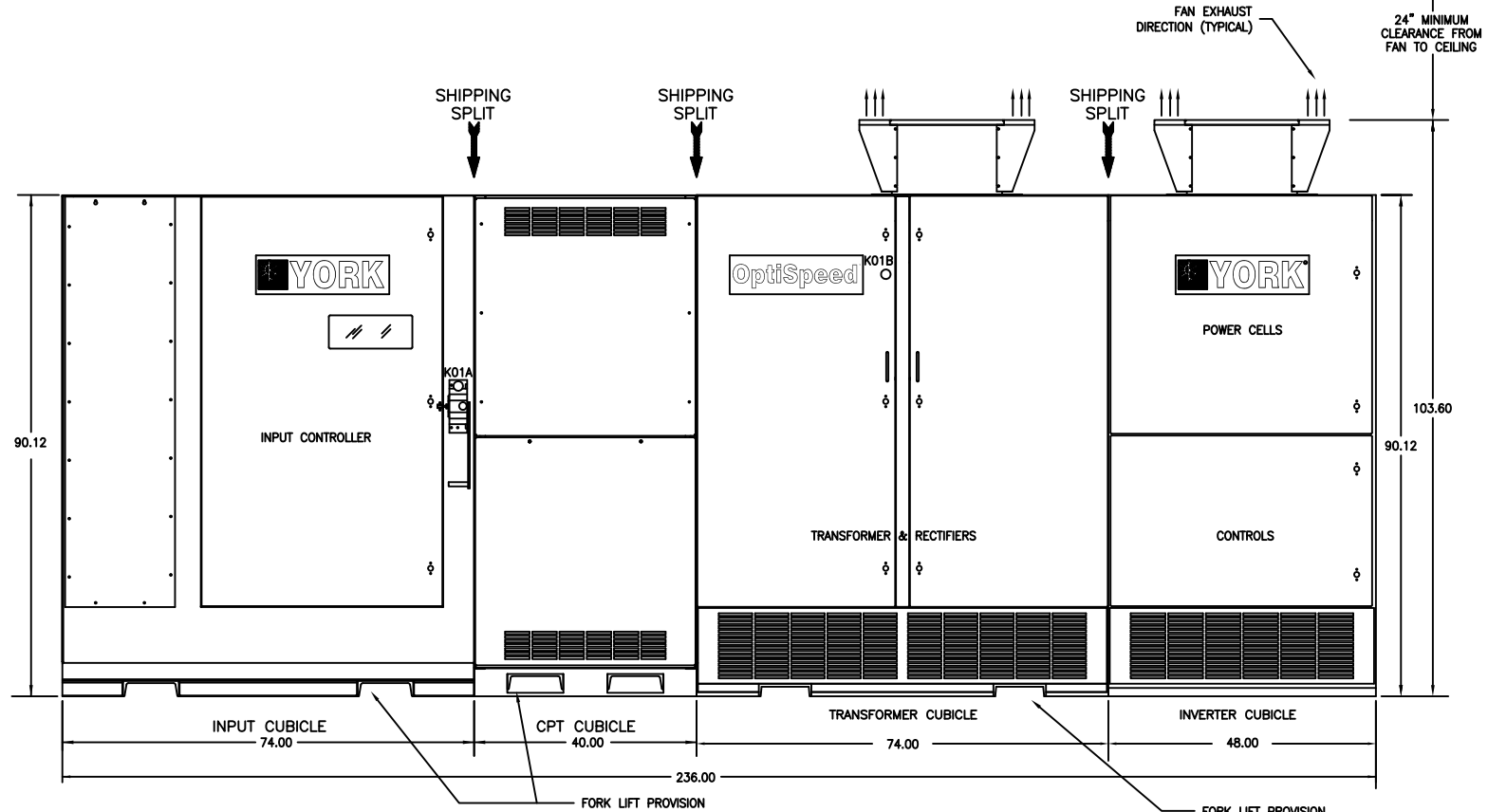
TYPICAL EXHAUST FAN HOLE PATTERN FOR CUSTOMER DUCTWORK (TOP VIEW)



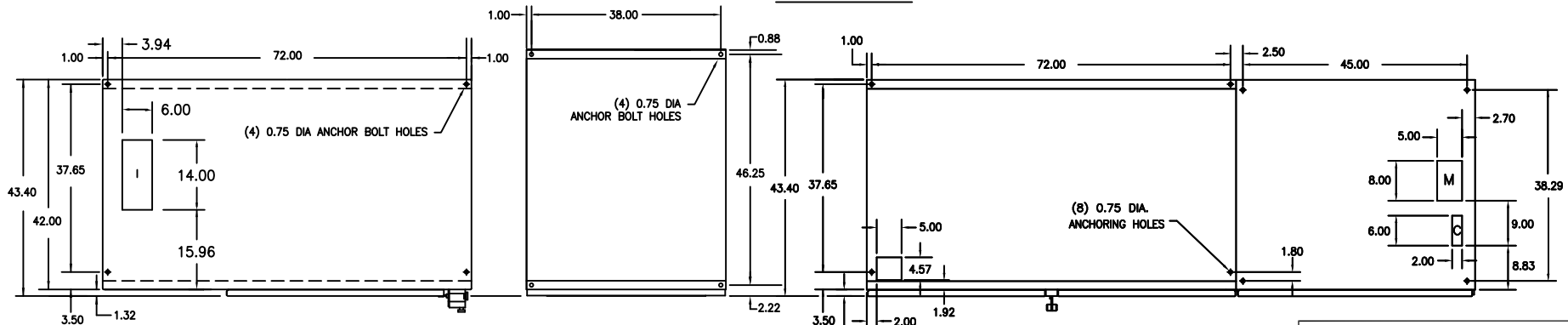
TOP VIEW



LH VIEW



FRONT VIEW



FLOOR PLAN VIEW

CABLE TERMINATIONS			
ENTRY	INCOMING CABLES	MOTOR LEADS	CONTROL WIRE
TOP	I	M	C
BOTTOM	I	M	C

INCOMING TERMINATIONS USE NEMA 4-HOLE PATTERN
MOTOR TERMINATIONS USE NEMA 4-HOLE PATTERN

- NOTES**
- ENCLOSURE TYPE: NEMA 1 W/GASKETED DOORS
 - ALL WEIGHTS ARE APPROXIMATE
 - ALL DIMS ARE IN INCHES
 - POWER CELLS NEED TO BE REMOVED FOR ACCESS

	500HP	600HP	700HP	800HP	900HP
INPUT CUBICLE	2,500 lbs	2,500 lbs	2,500 lbs	2,500 lbs	2,500 lbs
CPT CUBICLE	1,400 lbs	1,400 lbs	1,400 lbs	1,400 lbs	1,400 lbs
TRANSFORMER CUBICLE	7,300 lbs	7,500 lbs	8,000 lbs	8,600 lbs	9,000 lbs
INVERTER CUBICLE	2,500 lbs	2,500 lbs	2,500 lbs	2,500 lbs	2,500 lbs

YORK INTERNATIONAL CORPORATION
YORK, PA. 17405

REV. LEV.	DATE	REVISION RECORD	CHG. NO.	DR.	CK.	REV. LEV.	DATE	REVISION RECORD	CHG. NO.	DR.	CK.	REV. LEV.	DATE	REVISION RECORD	CHG. NO.	DR.	CK.
6						13						20					
5						12						19					
4						11						18					
3						10						17					
2						9						16					
1						8						15					
0	06/19/09	FIRST ISSUE		XZ	AL	7						14					

"ALL PROPRIETARY RIGHTS IN THE SUBJECT MATTER HEREOF ARE RESERVED, AND NO PERMISSION IS GRANTED TO REPRODUCE THIS PRINT IN WHOLE OR IN PART, OR DISCLOSE ANY OF THE INFORMATION UPON IT TO OTHERS WITHOUT WRITTEN RELEASE BY YORK INTERNATIONAL CORPORATION."

DIMENSIONS ARE IN INCHES
DO NOT SCALE
TOLERANCES PER ENG. STD. M-282
WELDING PER ENG. STD. M-30
REF. DWG.

OUTLINE ENCLOSURE

MATERIAL TYPE _____ ENG. STD. _____
PART NO. _____
CUT SIZE _____

NAME _____ DATE _____ SIZE D CAGE NO. _____ DRAWING NUMBER 1808MX30
DR. APPR. _____ SCALE: _____ WT. = _____ LBS. ORIG. NO. _____ SHEET 15 of 15