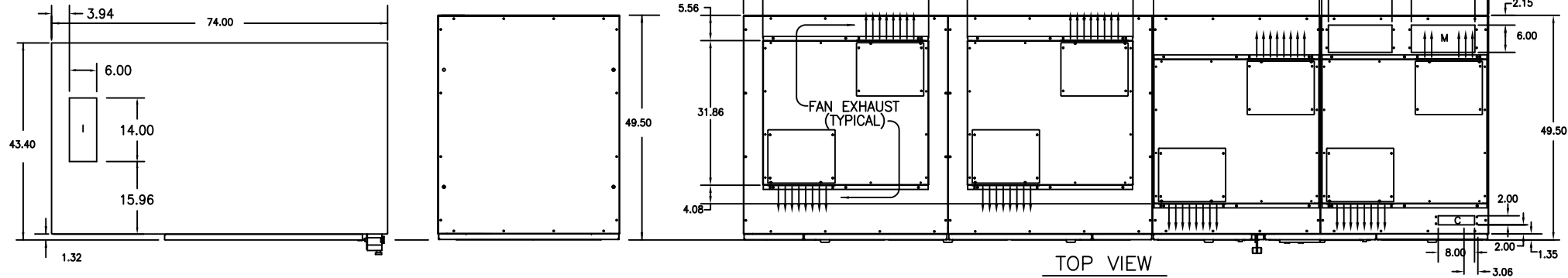
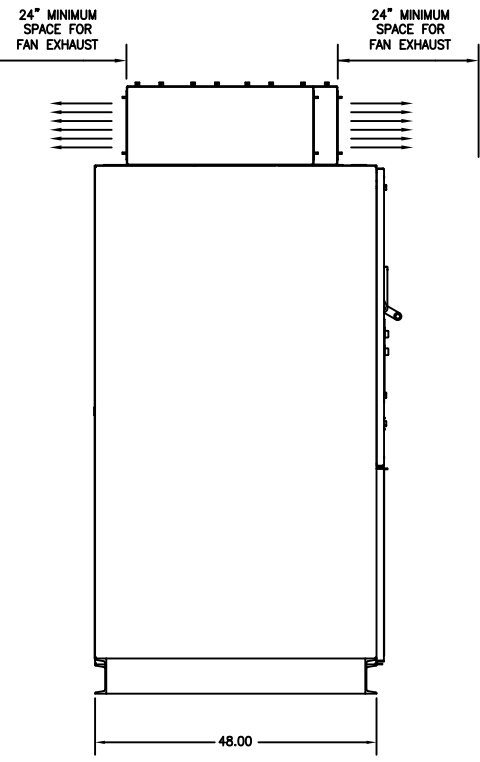


CABLE TERMINATIONS			
ENTRY	INCOMING CABLES	MOTOR LEADS	CONTROL WIRE
TOP	I	M	C
BOTTOM	I	M	C

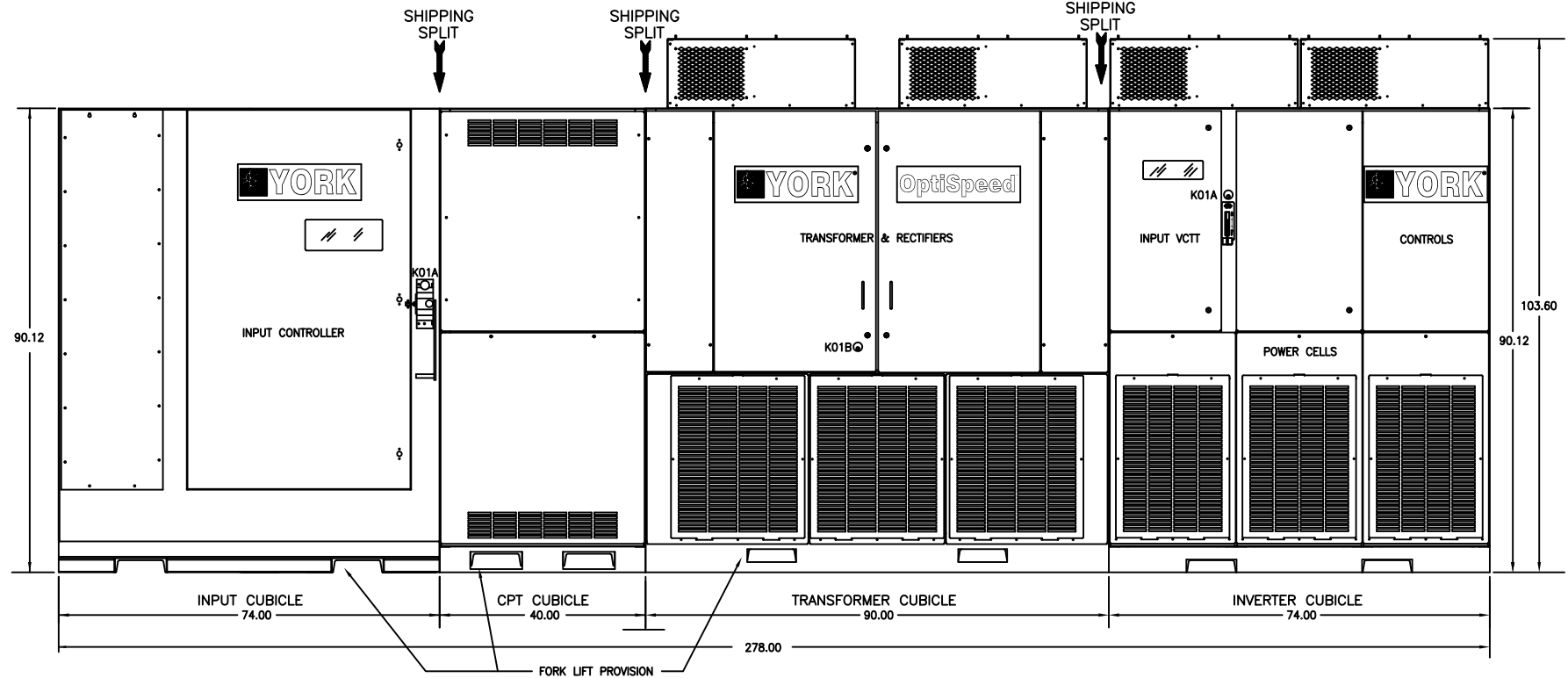
INCOMING TERMINATIONS USE NEMA 4-HOLE PATTERN  
MOTOR TERMINATIONS USE NEMA 4-HOLE PATTERN



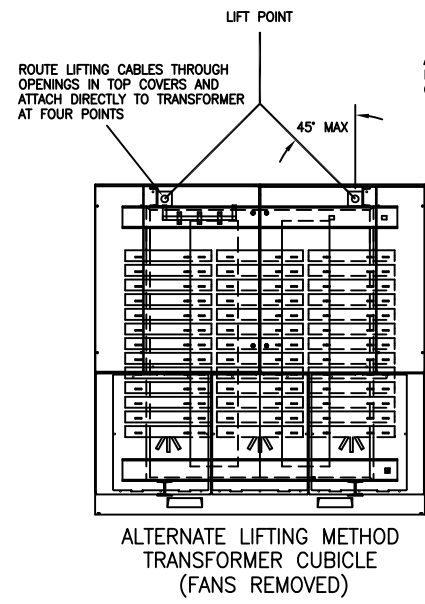
TOP VIEW



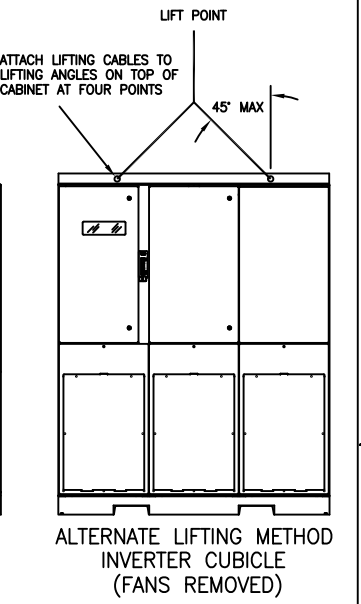
LH VIEW



FRONT VIEW



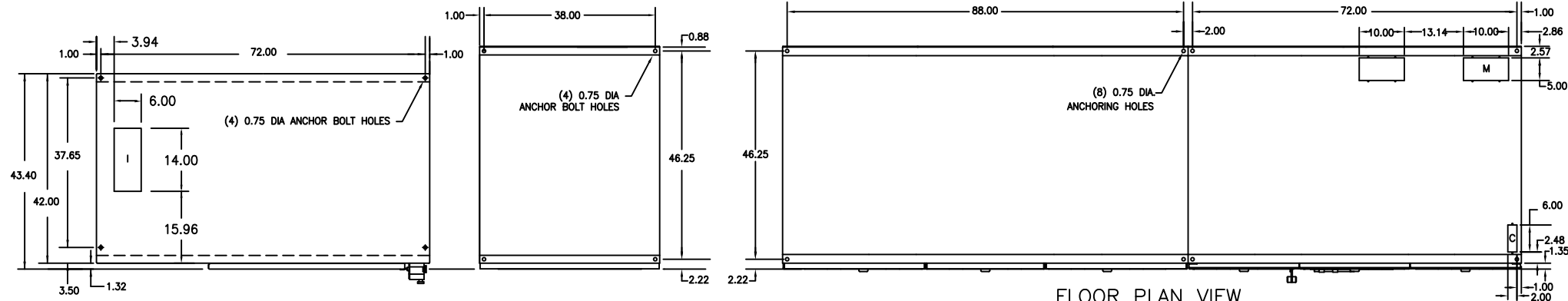
ALTERNATE LIFTING METHOD TRANSFORMER CUBICLE (FANS REMOVED)



ALTERNATE LIFTING METHOD INVERTER CUBICLE (FANS REMOVED)

- NOTES
- ENCLOSURE TYPE: NEMA 1 W/GASKETED DOORS
  - ALL WEIGHTS ARE APPROXIMATE IN LBS
  - ALL DIMS ARE IN INCHES
  - POWER CELLS NEED TO BE REMOVED FOR ACCESS

	2250HP	2500HP
INPUT CUBICLE	2,500 lbs	2,500 lbs
CPT CUBICLE	1,400 lbs	1,400 lbs
TRANSFORMER CUBICLE	12,300 lbs	13,200 lbs
INVERTER CUBICLE	4,500 lbs	4,500 lbs



FLOOR PLAN VIEW

YORK INTERNATIONAL CORPORATION  
YORK, PA. 17405

DIMENSIONS ARE IN INCHES DO NOT SCALE TOLERANCES PER ENG. STD. M-282 WELDING PER ENG. STD. M-30 REF. DWG.		OUTLINE ENCLOSURE		MATERIAL TYPE _____ ENG. STD. _____ PART NO. _____ CUT SIZE _____	
DR. _____	DATE _____	SIZE D	CAGE NO. _____	DRAWING NUMBER 1808N230	
APPR. _____	SCALE _____	WT. = _____ LBS.	ORIG. NO. _____	SHEET 15 of 15	

REV. LEV.	DATE	REVISION RECORD	CHG. NO.	DR.	CK.	REV. LEV.	DATE	REVISION RECORD	CHG. NO.	DR.	CK.	REV. LEV.	DATE	REVISION RECORD	CHG. NO.	DR.	CK.
6						13						20					
5						12						19					
4						11						18					
3						10						17					
2						9						16					
1						8						15					
0	06/17/09	FIRST ISSUE				7						14					

\*ALL PROPRIETARY RIGHTS IN THE SUBJECT MATTER HEREOF ARE RESERVED, AND NO PERMISSION IS GRANTED TO REPRODUCE THIS PRINT IN WHOLE OR IN PART, OR DISCLOSE ANY OF THE INFORMATION UPON IT TO OTHERS WITHOUT WRITTEN RELEASE BY YORK INTERNATIONAL CORPORATION.\*