



BY JOHNSON CONTROLS

**MEDIUM VOLTAGE  
VARIABLE SPEED DRIVE**

RENEWAL PARTS

Supersedes: 160.00-RP6 (512)

Form 160.00-RP6 (713)

**MEDIUM VOLTAGE 500-2500 HP,  
2300V, 3300V, 4160V, 6600, 12.4KV & 13.8KV, 60HZ  
3300V, 6600V, 10KV & 11KV 50HZ  
VARIABLE SPEED DRIVES FOR  
YK CHILLER APPLICATIONS**



LD12287

**FOR PARTS RELATED QUESTIONS, CONTACT:  
BALTIMORE PARTS CENTER**

**800-932-1701**

**Email : [CG-Baltimore-Parts-Customer@jci.com](mailto:CG-Baltimore-Parts-Customer@jci.com)**

**[www.johnsoncontrols.com](http://www.johnsoncontrols.com)**

Issue Date:  
July 31, 2013

# IMPORTANT!

## READ BEFORE PROCEEDING!

### GENERAL SAFETY GUIDELINES

This equipment is a relatively complicated apparatus. During installation, operation, maintenance or service, individuals may be exposed to certain components or conditions including, but not limited to: refrigerants, oils, materials under pressure, rotating components, and both high and low voltage. Each of these items has the potential, if misused or handled improperly, to cause bodily injury or death. It is the obligation and responsibility of operating/service personnel to identify and recognize these inherent hazards, protect themselves, and proceed safely in completing their tasks. Failure to comply with any of these requirements could result in serious damage to the equipment and the property in

which it is situated, as well as severe personal injury or death to themselves and people at the site.

This document is intended for use by owner-authorized operating/service personnel. It is expected that these individuals possess independent training that will enable them to perform their assigned tasks properly and safely. It is essential that, prior to performing any task on this equipment, this individual shall have read and understood this document and any referenced materials. This individual shall also be familiar with and comply with all applicable governmental standards and regulations pertaining to the task in question.



***External wiring, unless specified as an optional connection in the manufacturer's product line, is NOT to be connected inside the equipment cabinet. Devices such as relays, switches, transducers and controls may NOT be installed inside the unit. NO external wiring is allowed to be run through the unit. All wiring must be in accordance with YORK's published specifications and must be performed ONLY by qualified YORK personnel. YORK will not be responsible for damages/problems resulting from improper connections to the controls or application of improper control signals. Failure to follow this will void the manufacturer's warranty and cause serious damage to property or injury to persons.***

This instruction lists the renewal parts of the YORK Medium Voltage Variable Speed Drive (MV-VSD). Qualification in this case requires that the individual hold a certificate, proving satisfactory completion of formal training on proper procedures and safety requirements for working on equipment in the medium voltage (600 VAC to 7500 VAC) class. The qualified individual furthermore is to be knowledgeable of, and adhere to, all safe work practices as required by NEC, OSHA, and NFPA 70E. Because available fault current is determined largely due to sizing of the upstream transformers, wiring, and protective devices - available fault current and arc-flash hazard levels must be determined by personnel responsible for the electrical systems within the facility where this product is installed. Proper personal protective equipment (PPE) is to be utilized where and when required. This entire publication is to be read thoroughly before servicing this product. Proper lock-out and tag-out procedures are mandatory!



***Under no circumstances should any live testing be performed with the main cabinet doors open, exposing medium voltage components! Only the low-voltage access door is permitted to be open during live testing or operation of the unit. The energized safe approach distance for this product is to be determined by NFPA 70E. Non-qualified personnel are not to be present within this boundary during energizing, de-energizing, or energized testing (even with cabinet doors closed) on this equipment!***

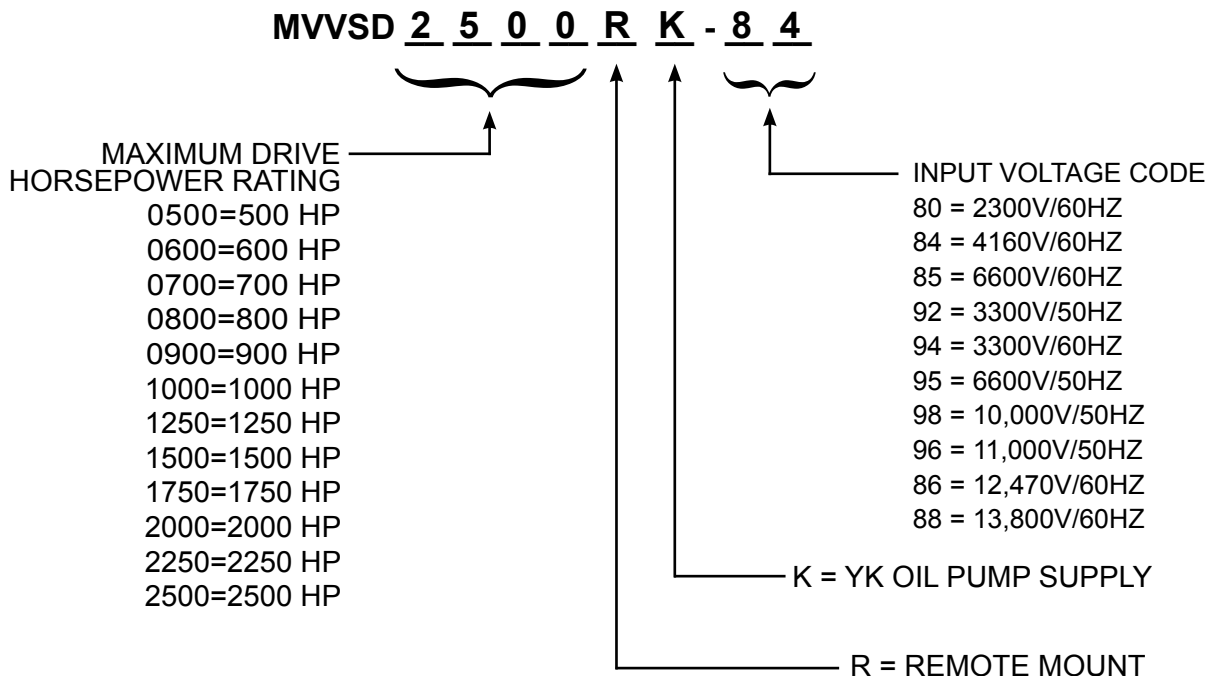
## LIST OF TABLES

<b>TABLE 1</b> - Recommended Spares Kit.....	6
<b>TABLE 2</b> - 74" x 44" x 104" (188 x 112 x 264) Models.....	7
<b>TABLE 3</b> - 74" x 44" x 104" (188 x 112 x 264) Components.....	8
<b>TABLE 4</b> - 122" x 44" x 104" (310 x 112 x 264) Models.....	11
<b>TABLE 5</b> - 236" x 44" x 104" (600 x 112 x 264) Models.....	13
<b>TABLE 6</b> - 122" and 236" x 44" x 104" (310 and 600 x 112 x 264) Components.....	15
<b>TABLE 7</b> - 164" x 50" x 104" (417 x 127 x 264) Models.....	19
<b>TABLE 8</b> - 278" x 50" x 104" (706 x 127 x 264) Models.....	21
<b>TABLE 9</b> - 164" and 278" x 44" x 104" (417 and 706 x 127 x 264) Components.....	22
<b>TABLE 10</b> - 174" x 50" x 104" (442 x 127 x 264) Models.....	25
<b>TABLE 11</b> - 174" x 50" x 104" (442 x 127 x 264) Components.....	26
<b>TABLE 12</b> - 222" x 50" x 104" (564 x 127 x 264) Models.....	29
<b>TABLE 13</b> - 174" x 50" x 104" (442 x 127 x 264) Components.....	30

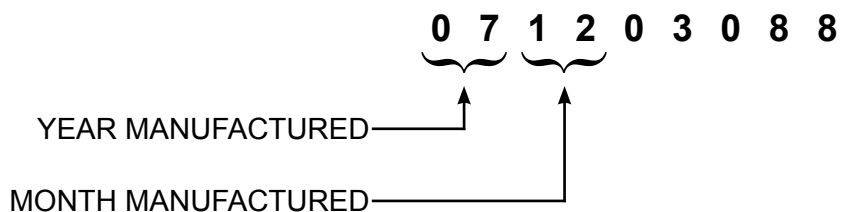
## LIST OF FIGURES

<b>FIGURE 1</b> - Power Module.....	28
<b>FIGURE 2</b> - Low Voltage Compartment.....	28
<b>FIGURE 3</b> - Motor Lead Compartment.....	29
<b>FIGURE 4</b> - Controller Compartment.....	29
<b>FIGURE 5</b> - Rectifier and Fuses.....	30
<b>FIGURE 6</b> - Pre-Charge Assembly.....	30
<b>FIGURE 7</b> - Fans.....	31
<b>FIGURE 8</b> - Filters.....	31

## UNIT MODEL NUMBER NOMENCLATURE



## SERIAL NUMBER BREAKDOWN



**FOR PARTS RELATED QUESTIONS, CONTACT:  
BALTIMORE PARTS CENTER  
800-932-1701  
Email : CG-Baltimore-Parts-Customer@jci.com  
www.johnsoncontrols.com**

**DATA PLATE**

When contacting  
Baltimore Parts Center,  
have the  
**YORK Model Number**  
and  
**Unit Serial Number**  
in hand to verify that the  
correct parts are being  
ordered.

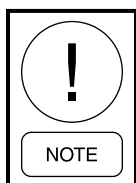
<b>YORK MODEL #</b>	<b>MVVSD1250RK-80</b>					
<b>CAPACITY:</b>	<input type="text"/>	kVA	<input type="text"/>	kW	<input type="text"/>	HP
<b>INPUT:</b>	<input type="text"/>	kV	<input type="text"/>	A	<input type="text"/>	Hz $\phi$
<b>OUTPUT:</b>	<input type="text"/>	kV	<input type="text"/>	A	<input type="text"/>	Hz $\phi$
<b>2kW Control Supply:</b>	<input type="text"/>	V	<input type="text"/>	A	<input type="text"/>	Hz $\phi$
<b>Oil Pump Supply:</b>	<input type="text"/>	V	<input type="text"/>	A	<input type="text"/>	Hz $\phi$
<b>SERIAL #:</b>	<b>071203088</b>		<b>MFD. DATE</b>	<input type="text"/>		
Suitable For Use On a Circuit Capable of Delivering Not More Than <input type="text"/> RMS. Sym. Amperes <input type="text"/> kV Maximum						
<b>IMPULSE TEST VOLTAGE (BIL):</b> <input type="text"/>						



**LOW VOLTAGE COMPARTMENT**

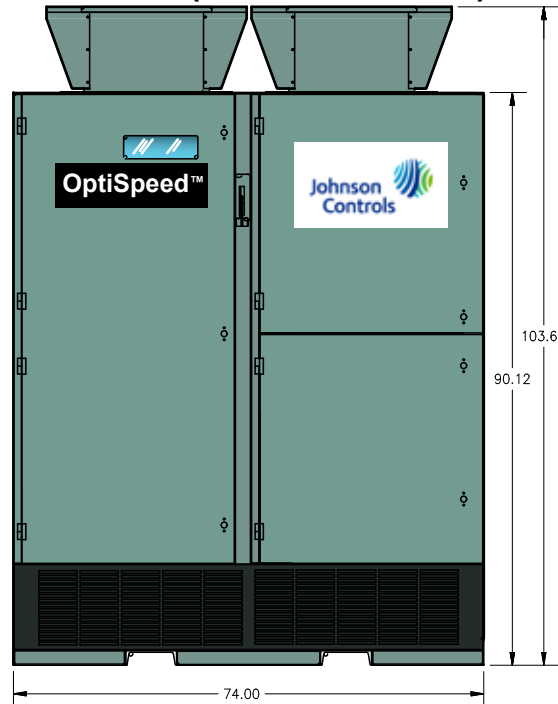
**TABLE 1 - RECOMMENDED SPARES KIT**

ITEM	DESCRIPTION	QUANTITY	FIGURE
1	POWER MODULE (OPTIONAL)	1	1
8	POWER SUPPLY ASSEMBLY	1	2
9	PWB, CTR, Wi SERIES, TYPE: M	1	2
10	PWB, XIO Wi SERIES DIFFERENTIAL	1	2
11	PWB, DISP. T300MVi-EOI	1	2
12	PWB, T300MVi I/F	1	2
13	PWB, GDI, Wi SERIES, INTERNAL HCT	1	2
14	PWB, PDM	1	2
15	PWB, GSD3+, TYPE B3	1	2
10	FUSE, TYPE E	4	4
11	FUSE, TYPE E	3	4
11	FUSE, TYPE E	3	4
1	FUSE, AC/DC, W/IND	12	5
2	DIODE/DIODE, PK,	12	5
1	FAN, 3700 CFM, 460V, 3PH	1	7



*YORK part numbers for these kits vary, please refer to the model tables for the kit part numbers, and refer to the components tables for the component part numbers.*

## 74" X 44" X 104" (188 X 112 X 264) CABINETS



**TABLE 2 - 74" X 44" X 104" (188 X 112 X 264) MODELS**

MODEL #	HP	VOLTAGE	HZ	RECOMMENDED SPARE KITS		CABINET SIZE IN (CM)
				WITHOUT MODULE	WITH MODULE	
MVVSD0500RK-92	500	3300	50	031-0208-000	031-02842-000	74" x 44" x 104" (188 x 112 x 264)
MVVSD0600RK-92	600			031-02809-000	031-02843-000	
MVVSD0700RK-92	700			031-03142-000	031-03204-000	
MVVSD0500RK-94	500	3300	60	031-02808-000	031-02842-000	
MVVSD0600RK-94	600			031-02809-000	031-02843-000	
MVVSD0700RK-94	700			031-03142-000	031-03204-000	
MVVSD0500RK-92S	500	3300	50	031-02819-000	031-02853-000	
MVVSD0600RK-92S	600			031-02820-000	031-02854-000	
MVVSD0700RK-92S	700			031-02821-000	031-02855-000	
MVVSD0800RK-92S	800			031-02822-000	031-02856-000	
MVVSD0900RK-92S	900			031-02823-000	031-02857-000	
MVVSD0500RK-84	500	4160	60	031-02819-000	031-02853-000	
MVVSD0600RK-84	600			031-02820-000	031-02854-000	
MVVSD0700RK-84	700			031-02821-000	031-02855-000	
MVVSD0800RK-84	800			031-02822-000	031-02856-000	
MVVSD0900RK-84	900			031-02823-000	031-02857-000	
MVVSD0500RK-95	500	6600	50	031-03143-000	031-03205-000	
MVVSD0600RK-95	600			031-03144-000	031-03206-000	
MVVSD0700RK-95	700			031-03145-000	031-03207-000	
MVVSD0800RK-95	800			031-03146-000	031-03208-000	
MVVSD0900RK-95	900			031-03147-000	031-03209-000	
MVVSD0500RK-85	500	6600	60	031-03143-000	031-03205-000	
MVVSD0600RK-85	600			031-03144-000	031-03206-000	
MVVSD0700RK-85	700			031-03145-000	031-03207-000	
MVVSD0800RK-85	800			031-03146-000	031-03208-000	
MVVSD0900RK-85	900			031-03147-000	031-03209-000	

**TABLE 3 - 74" X 44" X 104" (188 X 112 X 264) COMPONENTS**

ITEM	DESCRIPTION	YORK PART NO.	QUANTITY	FIGURE
**1	POWER MODULE (GCI6720G050A) (Shipped prior to 3-31-2007)	031-02790-000	3	1
**1	POWER MODULE (GCI6720G050B) (Shipped after 3-31-2007)	031-03080-000	3	1
2	LIFT ATTACHMENT FOR POWER MODULE (031-03080-000)	031-02654-000	-	1
2	LIFT ATTACHMENT FOR POWER MODULE (031-03087-000)	031-02656-000	-	1
<b>ASSY, CONTROL COMPONENTS</b>				
1	MOV 625VAC 825VDC, 230J	031-02665-000	3	2
2	BREAKER, 20A, 600V	031-02666-000	1	2
2	BREAKER, 15A, 600V	031-02667-000	1	2
4	CONTROL RELAY, 4A0B, 120VAC	031-02669-000	1	2
18	CONTROL RELAY, 2A2B, 480VAC	031-03272-000	1	2
6	CONTROL RELAY, 4A0B, 24VDC, 1.5W	031-02668-000	1	2
7	FUSE, 5.0A, 600VAC	031-02670-000	2	2
7	FUSE, 3.5A, 600VAC	031-03246-000	2	2
**8	POWER SUPPLY ASSEMBLY	031-02672-000	1	2
**9	PWB, CTR, Wi SERIES, TYPE: M	031-02674-000	1	2
**10	PWB, XIO Wi SERIES DIFFERENTIAL	031-02675-000	1	2
**11	PWB DISP. T300MVi-EOI	031-02676-000	1	2
**12	PWB, T300MVi I/F	031-02677-000	1	2
**13	PWB, GDI, Wi SERIES, INTERNAL HCT	031-02678-000	1	2
**14	PWB, PDM	031-02679-000	1	2
**15	PWB, GSD3+, TYPE B3	031-02673-000	1	2
<b>HCT, GRP</b>				
1	CT HALL 200A/100MA CLD LOOP	031-02680-000	2	3
2	RES, 100K ohm, 225W, NON-IND	031-02671-000	1	3
<b>RECTIFIER &amp; FUSES</b>				
**1	FUSE, AC/DC, 700V-100A W/IND (500/600 HP) 3300/6600 (500/600 HP) 4160 (500/600 HP) 6600	031-02785-000	36	5
**1	FUSE, AC/DC, 700V-125A W/IND (700/800 HP) 3300/4160 (700/800 HP) 6600	031-02786-000	36	5
**1	FUSE, AC/DC, 700V-150A W/IND (900HP) 3300 (900 HP) 4160/6600	031-02787-000	36	5
**2	DIODE/DIODE, PK, 160A, 2200V	031-02685-000	36	5
3	RES, 50K ohm, 100W, 4KV	031-02686-000	12	5
<b>PRECHARGE ASSEMBLY</b>				
1	VACUUM CONTACTOR	031-02691-000	2	4
-	GAUGE, WEAR	031-02698-000	-	-
-	GREASE, B9	031-02777-000	-	-
2	DRIVE UNIT (CIRCUIT BOARD)	031-02694-000	2	4
4	CLOSING COIL (KIT)	031-02695-000	2	4
7	AUX CONTACT BLK	031-02693-000	2	4
<b>MISCELLANEOUS</b>				
**11	FUSE, E/100E 5.5KV 12DD (500 HP) 3300 (600 HP) 4160	031-02781-000	3	4
**11	FUSE, E/125E 5.5KV 12DD (600 HP) 3300 (700 HP) 4160	031-02784-000	3	4
**11	FUSE, E/150E 5.5KV 12DD (700 HP) 3300 (800/900 HP) 4160	031-02715-000	3	4
**11	FUSE, E/80E 5.5KV 12DD (500 HP) 4160	031-02780-000	3	4
**11	FUSE, E/100E 8.25KV 12D (900 HP) 6600	031-03076-000	3	4

**TABLE 3 (CONT'D) - 74" X 44" X 104" (188 X 112 X 264) COMPONENTS**

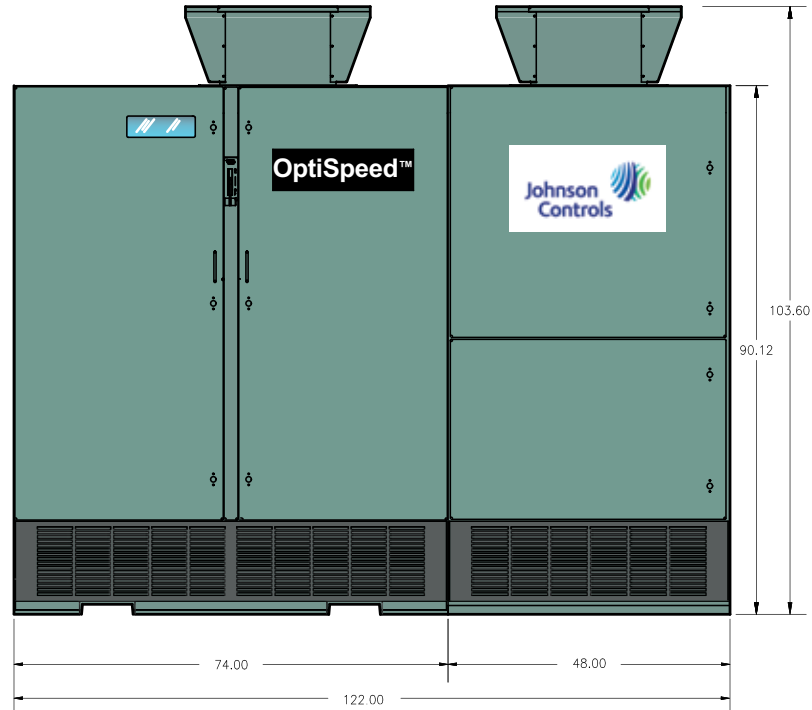
ITEM	DESCRIPTION	YORK PART NO.	QUANTITY	FIGURE
**11	FUSE, E/4E 4.8KV 5.63 (3300)	031-03271-000	3	4
**11	FUSE, E/175 5.5KV 12DD (800/900HP) 3300	031-03268-000	3	4
**11	FUSE, E/3E 4.8KV 5.63 (4160)	031-03269-000	3	4
**11	FUSE, E/50E 8.25KV 12D (500 HP) 6600	031-03077-000	3	4
**11	FUSE, E/65E 8.25KV 12D (600 HP) 6600	031-03081-000	3	4
**11	FUSE, E/80E 8.25KV 12D (700/800 HP) 6600	031-03083-000	3	4
**11	FUSE, 5.0/6.6KV (6600)	031-03265-000	3	4
2	CPT 3300: 400/115 3/2KVA (3300 50Hz)	031-02796-000	1	6
2	CPT 3300: 460/115 3/2KVA (3300 60Hz)	031-03264-000	1	6
2	CPT 4160: 460/115 3/2KVA (4160)	031-02773-000	1	6
2	CPT 6600: 110 300VA (6600 50Hz)	031-03252-000	1	6
2	CPT 7200: 120 300VA (6600 60Hz)	031-03251-000	1	6
<b>CPT AND FUSES</b>				
9	CPT 3300: 110, 450VA (3300)	031-03062-000	2	4
9	CPT 4200: 120, 500VA (4160)	031-02713-000	2	4
9	CPT 6600: 400/115 3/2KVA (6600 50Hz)	031-03253-000	2	4
9	CPT 6600: 460/115 3/2KVA (6600 60Hz)	031-03254-000	2	4
**10	FUSE, E/2E 4.8KV 5.63 (3300/4160)	031-02711-000	4	4
**10	FUSE, E/2E 7.2KV 9.50 (6600)	031-03245-000	4	4
<b>FAN ASSEMBLY</b>				
**1	FAN, 3700 CFM, 460V, 3PH	031-02714-000	2	7
<b>CHILLER OIL PUMP PANEL</b>				
-	PWB, WI, MV, MODBUS, ETHERNET, YRK1	031-03075-000	1	*
16	FUSE, 5A, 600V 500HP (3300)	031-02670-000	3	2
16	FUSE, 7A, 600V	031-02775-000	3	2
17	FUSE, 20A, 600V	031-02776-000	1	2
-	CTT 25A, 120V COIL	031-03260-000	1	*
-	FRONT AUXILIARY CONTACT	031-03261-000	1	*
5	CONTROL RELAY 2A2B, 24VDC, 1.8W	031-03262-000	2	2
<b>FILTERS</b>				
1	FILTER, .75" X 13.12" X 42.88" ALUMINUM MESH	031-02728-000	-	8
1	FILTER, .75" X 13.12" X 33.12" ALUMINUM MESH	031-02729-000	-	8

\* Items Not Shown.

\*\* Items included in recommended spares kits, refer to model tables for recommended Spares Kit part number. Quantities included in kit may vary, refer to TABLE 1 for details.

THIS PAGE INTENTIONALLY LEFT BLANK

## 122" X 44" X 104" (310 X 112 X 264) CABINETS



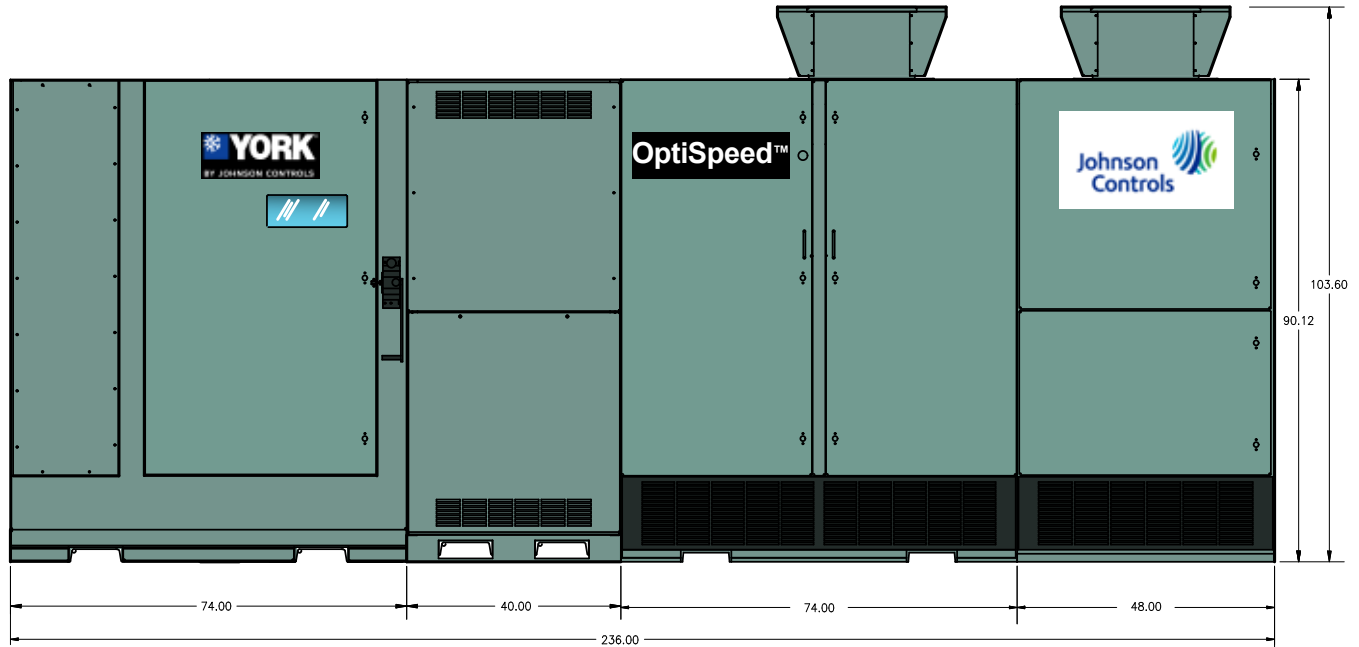
**TABLE 4 - 122" X 44" X 104" (310 X 112 X 264) MODELS**

MODEL #	HP	VOLTAGE	HZ	RECOMMENDED SPARE KITS		CABINET SIZE IN (CM)
				WITHOUT MODULE	WITH MODULE	
MVVSD0500RK-80	500	2300	60	031-02797-000	031-02831-000	122" x 44" x 104" (310 x 112 x 264)
MVVSD0600RK-80	600			031-02798-000	031-02832-000	
MVVSD0700RK-80	700			031-03141-000	031-03203-000	
MVVSD0800RK-80	800			031-02799-000	031-02833-000	
MVVSD0900RK-80	900			031-02800-000	031-02834-000	
MVVSD1000RK-80	1000			031-02801-000	031-02835-000	
MVVSD0800RK-92	800	3300	50	031-02810-000	031-02844-000	
MVVSD0900RK-92	900			031-02811-000	031-02845-000	
MVVSD1000RK-92	1000			031-02812-000	031-02846-000	
MVVSD1250RK-92	1250			031-02813-000	031-02847-000	
MVVSD1500RK-92	1500			031-02814-000	031-02848-000	
MVVSD1000RK-92S	1000	3300	50	031-02824-000	031-02858-000	
MVVSD1250RK-92S	1250			031-02825-000	031-02859-000	
MVVSD1500RK-92S	1500			031-02826-000	031-02860-000	
MVVSD1750RK-92S	1750			031-02827-000	031-02861-000	
MVVSD2000RK-92S	2000			031-02828-000	031-02862-000	
MVVSD0800RK-94	800	3300	60	031-02810-000	031-02844-000	
MVVSD0900RK-94	900			031-02811-000	031-02845-000	
MVVSD1000RK-94	1000			031-02812-000	031-02846-000	
MVVSD1250RK-94	1250			031-02813-000	031-02847-000	
MVVSD1500RK-94	1500			031-02814-000	031-02848-000	

**TABLE 4 (CONT'D) - 122" X 44" X 104" (310 X 112 X 264) MODELS**

MODEL #	HP	VOLTAGE	HZ	RECOMMENDED SPARE KITS		CABINET SIZE IN (CM)
				WITHOUT MODULE	WITH MODULE	
MVVSD1000RK-84	1000	4160	60	031-02824-000	031-02858-000	122" x 44" x 104" (310 x 112 x 264)
MVVSD1250RK-84	1250			031-02825-000	031-02859-000	
MVVSD1500RK-84	1500			031-02826-000	031-02860-000	
MVVSD1750RK-84	1750			031-02827-000	031-02861-000	
MVVSD2000RK-84	2000			031-02828-000	031-02862-000	
MVVSD1000RK-95	1000	6600	50	031-03148-000	031-03210-000	
MVVSD1250RK-95	1250			031-03149-000	031-03211-000	
MVVSD1500RK-95	1500			031-03150-000	031-03212-000	
MVVSD1750RK-95	1750			031-03151-000	031-03213-000	
MVVSD2000RK-95	2000			031-03152-000	031-03214-000	
MVVSD1000RK-85	1000	6600	60	031-03148-000	031-03210-000	
MVVSD1250RK-85	1250			031-03149-000	031-03211-000	
MVVSD1500RK-85	1500			031-03150-000	031-03212-000	
MVVSD1750RK-85	1750			031-03151-000	031-03213-000	
MVVSD2000RK-85	2000			031-03152-000	031-03214-000	

## 236" X 44" X 104" (600 X 112 X 264) CABINETS



**TABLE 5 - 236" X 44" X 104" (600 X 112 X 264) MODELS**

MODEL #	HP	VOLTAGE	HZ	RECOMMENDED SPARE KITS		CABINET SIZE IN (CM)
				WITHOUT MODULE	WITH MODULE	
MVVSD0500RK-98	500	10000	50	031-03093-000	031-03155-000	236" x 44" x 104" (600 x 112 x 264)
MVVSD0600RK-98	600			031-03094-000	031-03156-000	
MVVSD0700RK-98	700			031-03095-000	031-03157-000	
MVVSD0800RK-98	800			031-03096-000	031-03158-000	
MVVSD0900RK-98	900			031-03097-000	031-03159-000	
MVVSD1000RK-98	1000			031-03098-000	031-03160-000	
MVVSD1250RK-98	1250			031-03099-000	031-03161-000	
MVVSD1500RK-98	1500			031-03100-000	031-03162-000	
MVVSD1750RK-98	1750			031-03101-000	031-03163-000	
MVVSD2000RK-98	2000			031-03102-000	031-03164-000	
MVVSD0500RK-96	500	11000	50	031-03105-000	031-03167-000	
MVVSD0600RK-96	600			031-03106-000	031-03168-000	
MVVSD0700RK-96	700			031-03107-000	031-03169-000	
MVVSD0800RK-96	800			031-03108-000	031-03170-000	
MVVSD0900RK-96	900			031-03109-000	031-03171-000	
MVVSD1000RK-96	1000			031-03110-000	031-03172-000	
MVVSD1250RK-96	1250			031-03111-000	031-03173-000	
MVVSD1500RK-96	1500			031-03112-000	031-03174-000	
MVVSD1750RK-96	1750			031-03113-000	031-03175-000	
MVVSD2000RK-96	2000			031-03114-000	031-03176-000	

**TABLE 5 (CONT'D) - 236" X 44" X 104" (600 X 112 X 264) MODELS**

MODEL #	HP	VOLTAGE	HZ	RECOMMENDED SPARE KITS		CABINET SIZE IN (CM)
				WITHOUT MODULE	WITH MODULE	
MVVSD0500RK-86	500	12470	60	031-03117-000	031-03179-000	236" x 44" x 104" (600 x 112 x 264)
MVVSD0600RK-86	600			031-03118-000	031-03180-000	
MVVSD0700RK-86	700			031-03119-000	031-03181-000	
MVVSD0800RK-86	800			031-03120-000	031-03182-000	
MVVSD0900RK-86	900			031-03121-000	031-03183-000	
MVVSD1000RK-86	1000			031-03122-000	031-03184-000	
MVVSD1250RK-86	1250			031-03123-000	031-03185-000	
MVVSD1500RK-86	1500			031-03124-000	031-03186-000	
MVVSD1750RK-86	1750			031-03125-000	031-03187-000	
MVVSD2000RK-86	2000			031-03126-000	031-03188-000	
MVVSD0500RK-88	500	13800	60	031-03129-000	031-03191-000	
MVVSD0600RK-88	600			031-03130-000	031-03192-000	
MVVSD0700RK-88	700			031-03131-000	031-03193-000	
MVVSD0800RK-88	800			031-03132-000	031-03194-000	
MVVSD0900RK-88	900			031-03133-000	031-03195-000	
MVVSD1000RK-88	1000			031-03134-000	031-03196-000	
MVVSD1250RK-88	1250			031-03135-000	031-03197-000	
MVVSD1500RK-88	1500			031-03136-000	031-03198-000	
MVVSD1750RK-88	1750			031-03137-000	031-03199-000	
MVVSD2000RK-88	2000			031-03138-000	031-03200-000	

**TABLE 6 - 122" AND 236" X 44" X 104" (310 AND 600 X 112 X 264) COMPONENTS**

ITEM	DESCRIPTION	YORK PART NO.	QUANTITY	FIGURE
**1	POWER MODULE (GCI6731G050A) (2300)	031-02792-000	3	1
**1	POWER MODULE (GCI6721G050A) (3300) (4160) Prior to 3-31-07	031-02790-000	3	1
**1	POWER MODULE (GCI6721G050B) (3300) (4160) (6600) (1000-2000 HP 10/11/12.4/13.8KV) AFTER 3-31-07	031-03087-000	3	1
**1	POWER MODULE (GCI6720G050B) (500-900 HP 10/11/12.4/13.8KV)	031-03080-000	3	1
2	LIFT ATTACHMENT FOR POWER MODULE (031-02792-000)	031-03078-000	-	1
2	LIFT ATTACHMENT FOR POWER MODULE (031-02790-000)	031-02656-000	-	1
2	LIFT ATTACHMENT FOR POWER MODULE (031-03087-000)	031-02656-000	-	1
2	LIFT ATTACHMENT FOR POWER MODULE (031-03080-000)	031-02654-000	-	1
<b>ASSY, CONTROL COMPONENTS</b>				
1	MOV 625VAC 825VDC, 230J	031-02665-000	3	2
2	BREAKER, 20A, 600V	031-02666-000	1	2
2	BREAKER, 15A, 600V	031-02667-000	1	2
4	CONTROL RELAY, 4A0B, 120VAC	031-02669-000	1	2
18	CONTROL RELAY, 2A2B, 480VAC	031-03272-000	1	2
6	CONTROL RELAY, 4A0B, 24VDC, 1.5W	031-02668-000	1	2
7	FUSE, 5.0A, 600VAC	031-02670-000	2	2
7	FUSE, 3.5A, 600VAC (1000-2000 HP) 6600	031-03246-000	2	2
**8	POWER SUPPLY ASSEMBLY	031-02672-000	1	2
**9	PWB, CTR, Wi SERIES, TYPE: M	031-02674-000	1	2
**10	PWB, XIO Wi SERIES DIFFERENTIAL	031-02675-000	1	2
**11	PWB, DISP. T300MVi-EOI	031-02676-000	1	2
**12	PWB, T300MVi I/F	031-02677-000	1	2
**13	PWB, GDI, Wi SERIES, INTERNAL HCT	031-02678-000	1	2
**14	PWB, PDM	031-02679-000	1	2
**15	PWB, GSD3+, TYPE B3	031-02673-000	1	2
<b>HCT, GRP</b>				
1	CT HALL 300A/120MA CLD LOOP (2300-6600) (1000-2000 HP) 10/11/12.4/13.8kv	031-02683-000	2	3
1	CT HALL 200A/100MA CLD LOOP (500-900 HP) 10/11/12.4/13.8kv	031-02680-000	2	3
2	RES, 110K Ohm, 225W, NON-IND	031-02671-000	1	3
<b>RECTIFIER &amp; FUSES</b>				
**11	FUSE, AC/DC, 700V-200A W/IND (500 HP) 2300 (1250/1500 HP) 3300 (1000-1500 HP) 4160/6600/10/11/12.4/13.8kv	031-02684-000	36	5
**11	FUSE, AC/DC, 700V-300A W/IND (600-800 HP) 2300	031-02687-000	36	5
**11	FUSE, AC/DC, 700V-400A W/IND (900/1000 HP) 2300	031-03092-000	36	5
**11	FUSE, AC/DC, 700V-125A W/IND (800 HP) 3300 (700/800 HP) 10/12.413.8kv	031-02786-000	36	5
**11	FUSE, AC/DC, 700V-150A W/IND (900 HP) 3300/10/11/12.4/13.8kv	031-02787-000	36	5
**11	FUSE, AC/DC, 700V-175A W/IND (1000 HP) 3300	031-03259-000	36	5

**TABLE 6 (CONT'D) - 122" AND 236" X 44" X 104" (310 AND 600 X 112 X 264) CABINET COMPONENTS**

ITEM	DESCRIPTION	YORK PART NO.	QUANTITY	FIGURE
**1	FUSE, AC/DC, 700V-250A W/IND (1750/2000 HP) 3300/4160/6600/10/11/12.4/13.8kV	031-02788-000	36	5
**1	FUSE, AC/DC, 700V-100A W/IND (500-600HP) 10/11/12.4/13.8kV	031-02785-000	36	5
**2	DIODE/DIODE, PK, 260A, 2200V (2300-6600) (1000-2000 HP) 10/11/12.4/13.8kV	031-02688-000	36	5
**2	DIODE/DIODE, PK, 160A, 2200V (500-900 HP) 10/11/12.4/13.8kV	031-02685-000	36	5
3	RES, 50K ohm, 100W, 4KV	031-02686-000	12	5
<b>PRECHARGE ASSEMBLY</b>				
1	VACUUM CONTACTOR (2300-6600)	031-02691-000	2	4
1	VACUUM CONTACTOR (10-13.8kV)	031-03217-000	2	4
-	GAUGE, WEAR	031-02698-000	-	-
7	AUX CONTACT BLK (2300-6600)	031-02693-000	2	4
7	AUX CONTACT BLK (10-13.8kV)	031-03065-000	2	4
2	DRIVE UNIT (CIRCUIT BOARD) (2300-6600)	031-02694-000	2	4
2	DRIVE UNIT (CIRCUIT BOARD) (10-13.8kV)	031-03064-000	2	4
4	CLOSING COIL (KIT) (2300-6600)	031-02695-000	2	4
4	CLOSING COIL (KIT) (10-13.8kV)	031-03063-000	2	4
<b>MISCELLANEOUS</b>				
**11	FUSE, E/150E 5.5KV 12DD (500 HP) 2300	031-02715-000	3	4
**11	FUSE, E/200E 5.5KV 12DD (600/700 HP) 2300 (1000 HP) 3300 (1000/1250 HP) 4160	031-02717-000	3	4
**11	FUSE, E/250E 5.5KV 12DD (800/900 HP) 2300 (1250 HP) 3300 (1500 HP) 4160	031-02718-000	3	4
**11	FUSE, E/300E 5.5KV 12DD (1000 HP) 2300 (1500 HP) 3300 (1750 HP) 4160	031-02719-000	3	4
**11	FUSE, E/175E 5.5KV 12DD (800/900 HP) 3300	031-03268-000	3	4
**11	FUSE, E/3E 4.8KV 5.63 (1000-1750 HP) 4160	031-03269-000	3	4
**11	FUSE, E/350E 5.5KV 12DD (2000 HP) 4160	031-02725-000	3	4
**11	FUSE, E/100E 8.25KV 12D (1000 HP) 6600	031-03076-000	3	4
**11	FUSE, E/125E 8.25KV 12D (1250 HP) 6600	031-03236-000	3	4
**11	FUSE, E/150E 8.25KV 12DD (1500 HP) 6600	031-03237-000	3	4
**11	FUSE, E/175E 8.30KV 12DD (1750 HP) 6600	031-03238-000	3	4
**11	FUSE, E/200E 8.25KV 12DD (2000 HP) 6600	031-03239-000	3	4
**11	FUSE, E/25E 15KV (500 HP) 12.4/13.8kV	031-03220-000	3	4
**11	FUSE, E/30E 15KV (500 HP) 11kV (600 HP) 12.4/13.8kV	031-03221-000	3	4
**11	FUSE, E/40E 15KV (500/600 HP) 10kV (500-700 HP) 11kV (700 HP) 12.4 (700/800 HP) 13.8kV	031-03222-000	3	4
**11	FUSE, E/50E 15KV (700 HP) 10kV (800 HP) 11kV (800/900/1000 HP) 12.4kV (900/1000 HP) 13.8kV	031-03223-000	3	4
**11	FUSE, E/65E 15KV (800-900 HP) 10kV (900/1000 HP) 11kV (1000 HP) 12.4kV (1250 HP) 13.8kV	031-03224-000	3	4
**11	FUSE, E/80E 15KV (1000 HP) 10kV (1250 HP) 11kV (1500/1750 HP) 12.4/13.8kV	031-03225-000	3	4
**11	FUSE, E/100E 15KV (1250-1750 HP) 10kV (1500 HP) 11kV (1750 HP) 12.4kV (2000 HP) 13.8kV	031-03226-000	3	4
**11	FUSE, E/125E 15KV (1750 HP) 11kV (2000 HP) 12.4kV	031-03227-000	3	4

**TABLE 6 (CONT'D) - 122" AND 236" X 44" X 104" (310 AND 600 X 112 X 264) CABINET COMPONENTS**

ITEM	DESCRIPTION	YORK PART NO.	QUANTITY	FIGURE
**11	FUSE, E/150E 15KV (2000 HP) 10/11kV	031-03228-000	3	4
**11	FUSE, E/5E 4.8KV 5.63	031-03270-000	3	4
**11	FUSE, E/4E 4.8KV 5.63 (800-1750 HP) 3300	031-03271-000	3	4
**11	FUSE, E/400E 5.5kV 12DD (2000 HP) 3300	031-02720-000	3	4
**11	FUSE, E/350E 5.5KV 12DD (1750 HP) 3300	031-02725-000	3	4
**11	FUSE, 5.0/6.6KV (1000/1250 HP) 6600	031-03265-000	3	4
**11	FUSE, E/2E 7.2KV 9.50 (1500-2000 HP) 6600	031-03245-000	3	4
**11	FUSE, E/1E 15.5KV 11.5B (500-2000 HP) 11/12.4k/13.8V	031-03244-000	3	4
2	CPT 2400: 120 500VA (2300)	031-02712-000	1	6
2	CPT 3300: 400/115 3/2KVA (3300 50Hz)	031-02796-000	1	6
2	CPT 3300: 400/115 3/2KVA (3300 60Hz)	031-03264-000	1	6
2	CPT 4160: 460/115 3/2KVA (4160)	031-02773-000	1	6
2	CPT 6600: 110 300VA (6600 50Hz)	031-03252-000	1	6
2	CPT 7200: 120 300VA (6600 60Hz)	031-03251-000	1	6
2	CPT 10KV: 400/115 3/2KVA (10kV)	031-03257-000	1	6
2	CPT 11KV: 400/115 3/2KVA (11kV)	031-03229-000	1	6
2	CPT 12KV: 460/115 3/2KVA (12.4kV)	031-03230-000	1	6
2	CPT 13KV: 460/115 3/2KVA (13.8kV)	031-03231-000	1	6
<b>CPT AND FUSES</b>				
**10	FUSE, E/2E 4.8KV 5.63 (2300-4160)	031-02711-000	4	4
**10	FUSE, E/2E 7.2KV 9.50 (1000/1250) 6600	031-03245-000	4	4
**10	FUSE, 5.0/6.6KV (1250-2000 HP) 6600	031-03265-000	3	4
**10	FUSE, E/0.5E 15.5KV 12.87L (500-2000 HP) 10/11/12.4/13.8kV	031-03243-000	4	4
9	CPT 2400: 460/115 3/2KVA (2300)	031-02774-000	2	4
9	CPT 3300: 110, 450VA (3300)	031-03273-000	2	4
9	CPT 4200: 120, 500VA (4160)	031-02713-000	2	4
9	CPT 6600: 400/115 3/2KVA (1000/1250 HP) 6600 50Hz	031-03253-000	2	4
9	CPT 6600: 110 300VA (1500/1750 HP) 6600 50Hz	031-03252-000	2	4
9	CPT 6600: 460/115 3/2KVA (1000-1750 HP) 6600 60Hz	031-03254-000	2	4
9	CPT 10000:110 2FU 110KVBIL (10kV)	031-03247-000	2	4
9	CPT 11000:110 2FU 110KVBIL (11kV)	031-03248-000	2	4
9	CPT 13200:120 2FU 110KVBIL (12.4kV)	031-03249-000	2	4
9	CPT 14400:120 2FU 110KVBIL (13.8)	031-03250-000	2	4
<b>FAN ASSEMBLY</b>				
**1	FAN, 3700 CFM, 460V, 3PH	031-02714-000	2	7

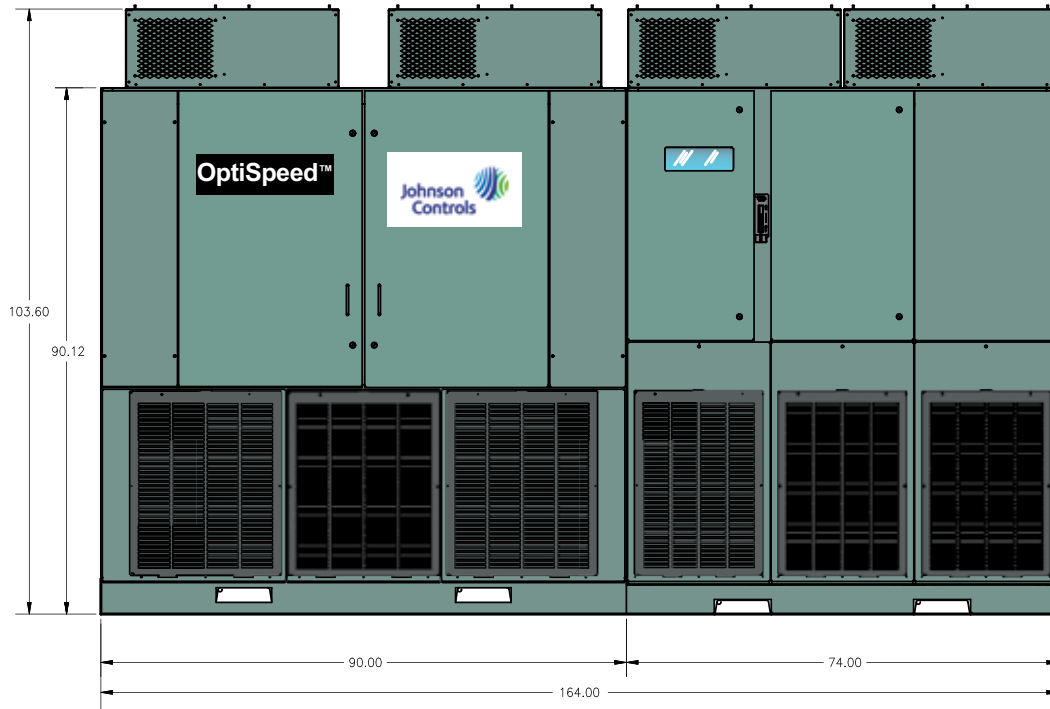
**TABLE 6 (CONT'D) - 122" AND 236" X 44" X 104" (310 AND 600 X 112 X 264) CABINET COMPONENTS**

ITEM	DESCRIPTION	YORK PART NO.	QUANTITY	FIGURE
<b>CHILLER OIL PUMP PANEL</b>				
-	PWB, Wi, MV, MODBUS, ETHERNET, YRK1	031-03075-000	1	*
<b>16</b>	FUSE, 5A , 600V	031-02670-000	3	2
<b>16</b>	FUSE, 7A , 600V	031-02775-000	3	2
<b>17</b>	FUSE, 20A, 600V	031-02776-000	1	2
-	CTT 25A, 120V COIL	031-03260-000	1	*
-	FRONT AUX. CONTACT	031-03261-000	1	*
<b>5</b>	CONTROL RELAY 2A2B, 24VDC, 1.8W	031-03262-000	2	2
<b>FILTERS</b>				
<b>1</b>	FILTER, .75" X 13.12" X 42.88" ALUMINUM MESH	031-02728-000	-	8
<b>1</b>	FILTER, .75" X 29.5" X 24" ALUMINUM MESH	031-03413-000	-	8
<b>1</b>	FILTER, .75" X 13.12" X 33.12" ALUMINUM MESH	031-02729-000	-	8

\* Items Not Shown.

\*\* Items included in recommended spares kits, refer to model tables for recommended Spares Kit part number. Quantities included in kit may vary, refer to TABLE 1 for details.

## 164" X 50" X 104" (417 X 127 X 264) CABINETS

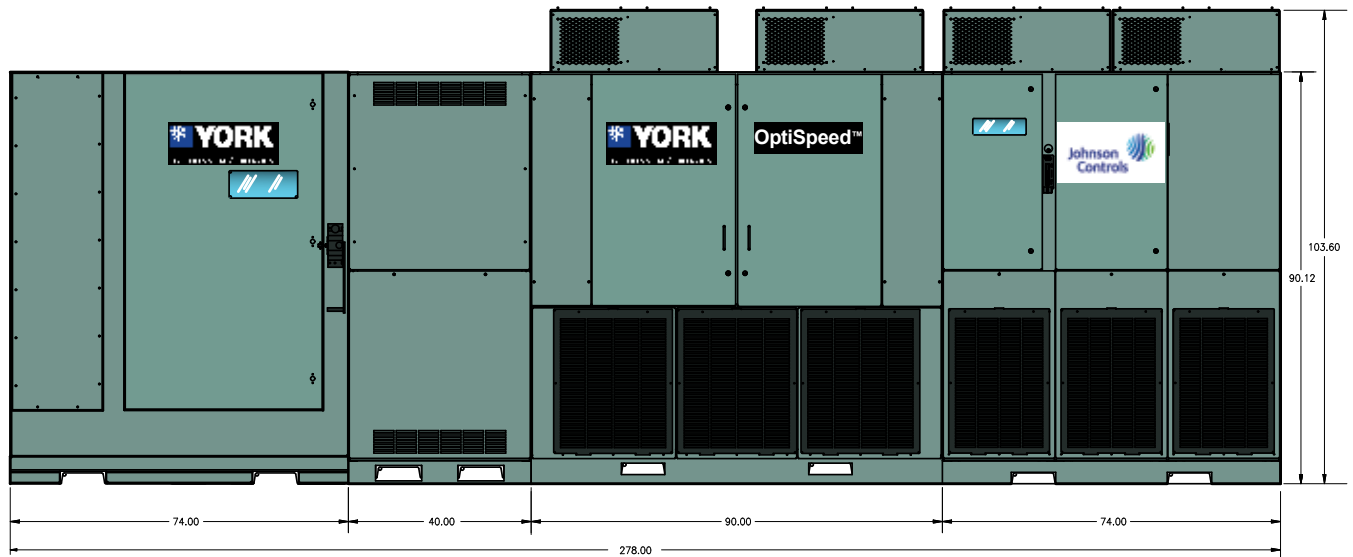


**TABLE 7 - 164" X 50" X 104" (417 X 127 X 264) MODELS**

MODEL #	HP	VOLTAGE	HZ	RECOMMENDED SPARE KITS		CABINET SIZE IN (CM)
				WITHOUT MODULE	WITH MODULE	
MVVSD1750RK-92	1750	3300	50	031-02815-000	031-02849-000	164" x 50" x 104" (417 x 127 x 264)
MVVSD2000RK-92	2000			031-02816-000	031-02850-000	
MVVSD1750RK-94	1750	3300	60	031-02815-000	031-02849-000	
MVVSD2000RK-94	2000			031-02816-000	031-02850-000	
MVVSD2250RK-84	2250	4160	60	031-02829-000	031-02863-000	
MVVSD2500RK-84	2500			031-02830-000	031-02864-000	
MVVSD2250RK-92S	2250	3300	50	031-03153-000	031-03215-000	
MVVSD2500RK-92S	2500			031-02830-000	031-02864-000	
MVVSD2250RK-95	2250	6600	50	031-03153-000	031-03215-000	
MVVSD2500RK-95	2500			031-03154-000	031-03216-000	
MVVSD2250RK-85	2250	6600	60	031-03153-000	031-03215-000	
MVVSD2500RK-85	2500			031-03154-000	031-03216-000	

THIS PAGE INTENTIONALLY LEFT BLANK

## 278" X 50" X 104" (706 X 127 X 264) CABINETS



**TABLE 8 - 278 X 50" X 104" (706 X 127 X 264) MODELS**

MODEL #	HP	VOLTAGE	HZ	RECOMMENDED SPARE KITS		CABINET SIZE IN (CM)
				WITHOUT MODULE	WITH MODULE	
MVVSD2250RK-98	2250	10000	50	031-03103-000	031-03165-000	278" x 50" x 104" (706 x 127 x 264)
MVVSD2500RK-98	2500	10000		031-03104-000	031-03166-000	
MVVSD2250RK-96	2250	11000	50	031-03115-000	031-03177-000	
MVVSD2500RK-96	2500	11000		031-03116-000	031-03178-000	
MVVSD2250RK-86	2250	12470	60	031-03127-000	031-03189-000	
MVVSD2500RK-86	2500	12470		031-03128-000	031-03190-000	
MVVSD2250RK-88	2250	13800	60	031-03139-000	031-03201-000	
MVVSD2500RK-88	2500	13800		031-03140-000	031-03202-000	

**TABLE 9 - 164" AND 278" X 44" X 104" (417 AND 706 X 127 X 264) COMPONENTS**

ITEM	DESCRIPTION	YORK PART NO.	QUANTITY	FIGURE
**1	POWER MODULE (GCI6722G050A)	031-02791-000	3	1
2	LIFT ATTACHMENT FOR POWER MODULE (031-02791-000)	031-02664-000	-	1
<b>ASSY, CONTROL COMPONENTS</b>				
1	MOV 625VAC 825VDC, 230J	031-02665-000	3	2
2	BREAKER, 20A, 600V	031-02666-000	1	2
2	BREAKER, 15A, 600V	031-02667-000	1	2
4	CONTROL RELAY, 4A0B, 24VDC, 1.5W	031-02668-000	1	2
18	CONTROL RELAY, 4A0B, 120VAC	031-02669-000	1	2
6	CONTROL RELAY, 2A2B, 480VAC	031-03272-000	1	2
7	FUSE, 5.0A, 600VAC (3300-4160, 10kV/11kV/12.4kV/13.8kV)	031-02670-000	2	2
7	FUSE, 3.5A, 600VAC (6600)	031-03246-000	2	2
**8	POWER SUPPLY ASSEMBLY	031-02672-000	1	2
**9	PWB, CTR, Wi SERIES, TYPE: M	031-02674-000	1	2
**10	PWB, XIO Wi SERIES DIFFERENTIAL	031-02675-000	1	2
**11	PWB DISP. T300MVI-EOI	031-02676-000	1	2
**12	PWB, T300MVi I/F	031-02677-000	1	2
**13	PWB, GDI, Wi SERIES, INTERNAL HCT	031-02678-000	1	2
**14	PWB, PDM	031-02679-000	1	2
**15	PWB, GSD3+, TYPE B3	031-02673-000	1	2
<b>HCT, GRP</b>				
1	CT HALL 500A/250MA CLD LOOP	031-02681-000	2	3
2	RES, 100K ohm, 225W, NON-IND	031-02671-000	1	3
<b>RECTIFIER &amp; FUSES</b>				
**1	FUSE, AC/DC, 700V-300A W/IND	031-02687-000	36	5
**2	DIODE/DIODE, PK, 540A, 2200V	031-02690-000	36	5
3	RES, 50K ohm, 100W, 4KV	031-02686-000	12	5
<b>PRECHARGE ASSMEBLY</b>				
1	VACUUM CONTACTOR (3300-6600)	031-02691-000	2	4
1	VACUUM CONTACTOR (10kV-13.8kV)	031-03217-000	2	4
-	GAUGE, WEAR	031-02698-000	-	-
-	GREASE, B9	031-02777-000	-	-
7	AUX CONTACT BLK (3300-6600)	031-02693-000	2	4
7	AUX CONTACT BLK (10kV-13.8kV)	031-03276-000	2	4
2	DRIVE UNIT (CIRCUIT BOARD) (3300-6600)	031-02694-000	2	4
2	DRIVE UNIT (CIRCUIT BOARD) (10kV-12.4kV)	031-03275-000	2	4
4	CLOSING COIL (KIT) (3300-6600)	031-02695-000	2	4
4	CLOSING COIL (KIT) (10kV-13.8kV)	031-03274-000	2	4
<b>MISCELLANEOUS</b>				
**11	FUSE, E/350E 5.5KV 12DD (1750 HP)	031-02725-000	3	4
**11	FUSE, E/400E 5.5KV 12DD (2000/2250 HP)	031-02720-000	3	4
**11	FUSE, E/450E 5.5KV 12DD (2250/2500 HP)	031-02721-000	3	4
**11	FUSE, E/500E 5.5KV 12DD (2500 HP) 3300	031-02722-000	3	4
**11	FUSE, E/3E 4.8KV 5.63 (2250/2500 HP)	031-03269-000	3	4
**11	FUSE, E/4E 4.8KV 5.63 (1750/2000/2250/2500 HP)	031-03271-000	3	4
**11	FUSE, E/250E 7.2KV (2250/2500 HP) 6600	031-03240-000	3	4
**11	FUSE, E/2E 7.2KV 9.50 (6600)	031-03245-000	3	4

**TABLE 9 (CONT'D) - 164" AND 278" X 44" X 104" (417 AND 706 X 112 X 264) CABINET COMPONENTS**

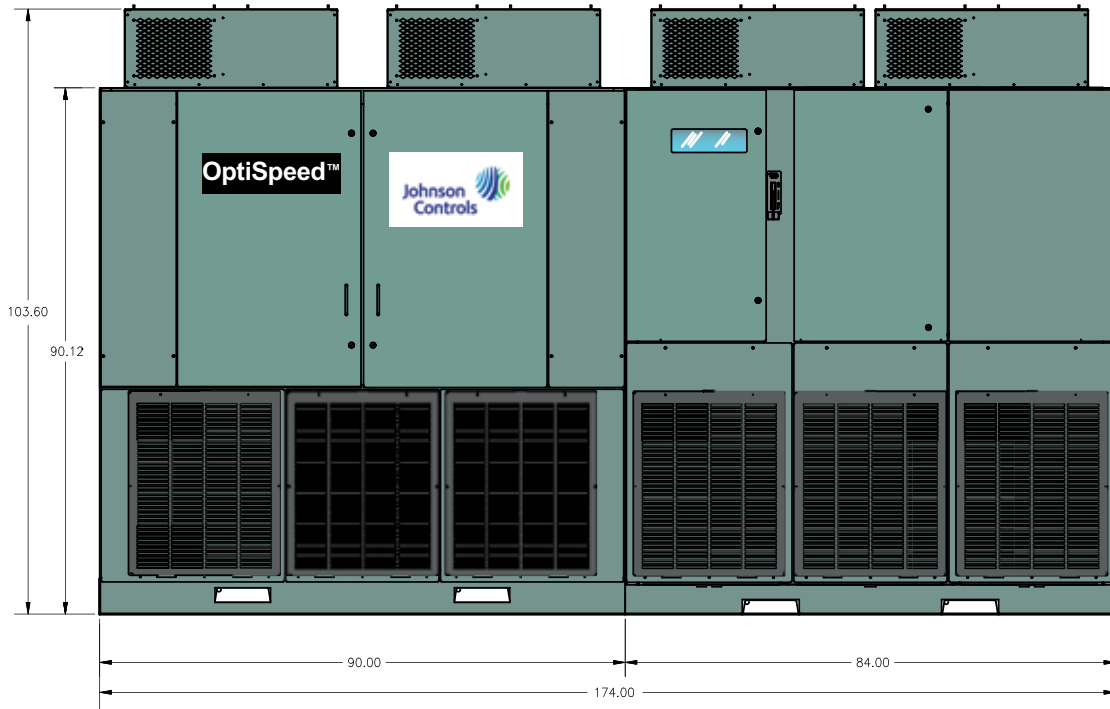
ITEM	DESCRIPTION	YORK PART NO.	QUANTITY	FIGURE
**11	FUSE, E/150E 15KV (2250/2500 HP) 10kV/12.4kV	031-03228-000	3	4
**11	FUSE, E/125E 15KV (2250 HP) 12.4kV/13.8kV	031-03227-000	3	4
**11	FUSE, E/0.5E 15.5KV 12.87L (2500 HP) 10kV	031-03243-000	4	4
**11	FUSE, E/1E 15.5KV 11.5B (10kV-13.8kV)	031-03244-000	3	4
**11	FUSE, E/200E 15KV (11kV)	031-03242-000	3	4
2	CPT 3300: 400/115 3/2KVA (3300)	031-02796-000	1	6
2	CPT 4160: 460/115 3/2KVA (4160)	031-02773-000	1	6
2	CPT 6600: 400/115 3/2KVA (6600)	031-03253-000	1	6
2	CPT 6600: 460/115 3/2KVA (6600)	031-03254-000	1	6
2	CPT 10KV: 400/115 3/2KVA (10kV)	031-03257-000	1	6
2	CPT 11000:110 2FU 110KVBIL (11kV)	031-03248-000	2	6
2	CPT 11KV: 400/115 3/2KVA (11kV)	031-03229-000	1	6
2	CPT 12KV: 460/115 3/2KVA (12.4kV)	031-03230-000	1	6
2	CPT 13KV: 460/115 3/2KVA (13.8kV)	031-03231-000	1	6
<b>CPT AND FUSES</b>				
9	CPT 3300: 110, 450VA (3300)	031-03273-000	2	4
9	CPT 4200: 120, 500VA (4160)	031-02713-000	2	4
9	CPT 6600: 110 300VA (6600)	031-03252-000	2	4
9	CPT 7200: 120 300VA (6600)	031-03251-000	2	4
9	CPT 10000:110 2FU 110KVBIL (10kV)	031-03247-000	2	4
9	CPT 11000:110 2FU 110KVBIL (11kV)	031-03248-000	2	4
9	CPT 13200:120 2FU 110KVBIL (12.4kV)	031-03249-000	2	4
9	CPT 14400:120 2FU 110KVBIL (13.8kV)	031-03250-000	2	4
**10	FUSE, E/2E 4.8KV 5.63 (3300/4160)	031-02711-000	4	4
**10	FUSE, 5.0/6.6KV, 1A, FPJ2-6Y50 (6600)	031-03265-000	4	4
**10	FUSE, E/0.5E 15.5KV 12.87L (10kV-13.8kV)	031-03243-000	4	4
<b>FAN ASSEMBLY</b>				
**1	FAN, 3700 CFM, 460V, 3PH	031-02714-000	2	7
<b>CHILLER OIL PUMP PANEL</b>				
-	PWB, Wi, MV, MODBUS, Ethernet, (-80/-92 Units)	031-02673-000	1	*
-	PWB, Wi, MV, MODBUS, Ethernet, (-94/-92s Units)	031-03075-000	1	*
16	FUSE, 5A , 600V	031-02670-000	3	2
16	FUSE, 7A , 600V	031-02775-000	3	2
17	FUSE, 20A, 600V	031-02776-000	1	2
-	CTT 25A, 120V Coil	031-03260-000	1	*
-	FRONT AUX. CONTACT	031-03261-000	1	*
5	CONTROL RELAY 2A2B, 24VDC, 1.8W	031-03262-000	2	*
<b>FILTERS</b>				
1	FILTER, .75" X 29.5" X 24" ALUMINUM MESH	031-03413-000	-	8
1	FILTER, .75" X 29.5" X 20.0" ALUMINUM MESH	031-02727-000	-	8

\* Items Not Shown.

\*\* Items included in recommended spares kits, refer to model tables for recommended Spares Kit part number. Quantities included in kit may vary, refer to TABLE 1 for details.

THIS PAGE INTENTIONALLY LEFT BLANK

### 174" X 50" X 104" (442 X 127 X 264)



**TABLE 10 - 174" X 50" X 104" (442 X 127 X 264) MODELS**

MODEL #	HP	VOLTAGE	HZ	RECOMMENDED SPARE KITS		CABINET SIZE IN (CM)
				WITHOUT MODULE	WITH MODULE	
MVVSD1250RK-80	1250	2300	60	031-02802-000	031-02836-000	174 x 50 x 104 (442 x 127 x 264)
MVVSD1500RK-80	1500			031-02803-000	031-02837-000	
MVVSD1750RK-80	1750			031-02804-000	031-02805-000	
MVVSD2250RK-92	2250	2300	50	031-02817-000	031-02851-000	174 x 50 x 104 (442 x 127 x 264)
MVVSD2500RK-92	2500			031-02818-000	031-02852-000	
MVVSD2250RK-94	2250	3300	60	031-02817-000	031-02851-000	174 x 50 x 104 (442 x 127 x 264)
MVVSD2500RK-94	2500			031-02818-000	031-02852-000	

**TABLE 11 - 174" X 50" X 104" (442 X 127 X 264) COMPONENTS**

ITEM	DESCRIPTION	YORK PART NO.	QUANTITY	FIGURE
**1	POWER MODULE (GC16733G050A) 1250/1500/1750 HP	031-02793-000	3	1
**1	POWER MODULE (GCI6723G050A) 2250/2500 HP	031-03088-000	3	1
2	LIFT ATTACHMENT FOR POWER MODULE (031-02793-000)	031-03082-000	-	1
2	LIFT ATTACHMENT FOR POWER MODULE (031-03088-000)	031-02659-000	-	1
<b>ASSY, CONTROL COMPONENTS</b>				
1	MOV 625VAC 825VDC, 230J	031-02665-000	3	2
2	BREAKER, 20A, 600V	031-02666-000	1	2
2	BREAKER, 15A, 600V	031-02667-000	1	2
4	CONTROL RELAY, 4A0B, 24VDC, 1.5W	031-02668-000	1	2
18	CONTROL RELAY, 4A0B, 120VAC	031-02669-000	1	2
6	CONTROL RELAY, 2A2B, 480VAC	031-03272-000	1	2
7	FUSE, 5.0A, 600VAC	031-02670-000	2	2
**8	POWER SUPPLY ASSEMBLY	031-02672-000	1	2
**9	PWB, CTR, Wi SERIES, TYPE: M	031-02674-000	1	2
**10	PWB, XIO Wi SERIES DIFFERENTIAL	031-02675-000	1	2
**11	PWB, DISP. T300MVi-EOI	031-02676-000	1	2
**12	PWB, T300MVi I/F	031-02677-000	1	2
**13	PWB, GDI, Wi SERIES, INTERNAL HCT	031-02678-000	1	2
**14	PWB, PDM	031-02679-000	1	2
**15	PWB, GSD3+, TYPE B3	031-02673-000	1	2
<b>HCT, GRP</b>				
1	CT HALL 300A/120MA CLD LOOP	031-02681-000	2	3
2	RES, 100K ohm, 225W, NON-IND	031-02671-000	1	3
<b>RECTIFIER &amp; FUSES</b>				
**1	FUSE, AC/DC, 700V-500A W/IND (1250/1500 HP)	031-02689-000	36	5
**1	FUSE, AC/DC, 700V-600A W/IND (1750 HP)	031-03218-000	36	5
**1	FUSE, AC/DC, 700V-300A W/IND (2250/2500 HP)	031-02687-000	36	5
**2	DIODE/DIODE, PK, 540A, 2200V	031-02690-000	36	5
3	RES, 50K ohm, 100W, 4KV	031-02686-000	12	5
<b>PRECHARGE ASSMEBLY</b>				
1	VACUUM CONTACTOR	031-02702-000	2	4
-	GAUGE, WEAR	031-02706-000	-	-
-	GREASE, B9	031-02777-000	-	-
7	AUX CONTACT BLK	031-02693-000	2	4
2	DRIVE UNIT (CIRCUIT BOARD)	031-02704-000	2	4
4	CLOSING COIL (KIT)	031-02703-000	2	4
<b>MISCELLANEOUS</b>				
**11	FUSE, E/400E 5.5KV 12DD (1250 HP)	031-02720-000	3	4
**11	FUSE, E/450E 5.5KV 12DD (1500/2250 HP)	031-02721-000	3	4
**11	FUSE, E/500E 5.5KV 12DD (1750/2500 HP)	031-02722-000	3	4
**11	FUSE, E/5E 4.8KV 5.63 (1250/1500/1750 HP)	031-03270-000	3	4
**11	FUSE, E/4E 4.8KV 5.63 (2250/2500 HP)	031-03271-000	3	4
2	CPT 2400: 120 500VA (1250/1500/1750 HP)	031-02712-000	1	6
2	CPT 3300: 400/115 3/2KVA (2250/2500 HP 50Hz)	031-02796-000	1	6
2	CPT 3300: 460/115 3/2KVA (2250/2500 HP 60Hz)	031-03264-000	1	6

**TABLE 11 (CONT'D) - 174" X 50" X 104" (442 X 127 X 264) COMPONENTS**

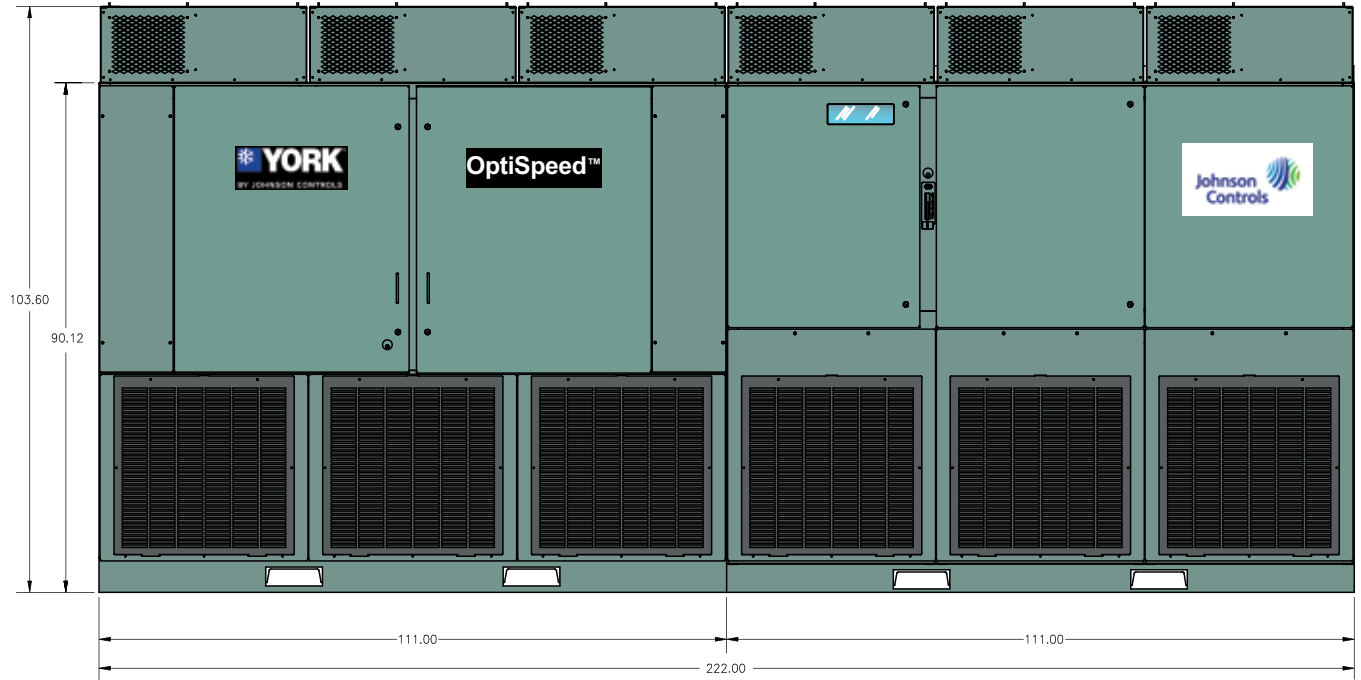
ITEM	DESCRIPTION	YORK PART NO.	QUANTITY	FIGURE
<b>CPT AND FUSES</b>				
<b>9</b>	CPT 2400: 460/115 3/2KVA (1250/1500/1750 HP)	031-02774-000	2	6
<b>9</b>	CPT 3300: 110, 450VA (2250/2500 HP)	031-03273-000	2	6
<b>**10</b>	FUSE, E/2E 4.8KV 5.63	031-02711-000	4	4
<b>FAN ASSEMBLY</b>				
<b>**1</b>	FAN, 3700 CFM, 460V, 3PH	031-02714-000	2	7
<b>CHILLER OIL PUMP PANEL</b>				
-	PWB, Wi, MV, MODBUS, Ethernet, (-80/-92 Units)	031-02673-000	1	*
-	PWB, Wi, MV, MODBUS, Ethernet, (-94 Units)	031-03075-000	1	*
<b>16</b>	FUSE, 7A , 600V	031-02775-000	3	2
<b>17</b>	FUSE, 20A, 600V	031-02776-000	1	2
-	CTT 25A, 120V Coil	031-03260-000	1	*
-	FRONT AUX. CONTACT	031-03261-000	1	*
<b>5</b>	CONTROL RELAY 2A2B, 24VDC, 1.8W	031-03262-000	2	2
<b>FILTERS</b>				
<b>1</b>	FILTER, .75 X 29.5 X 20.0 ALUMINUM MESH	031-02727-000	-	8

\* Items Not Shown.

\*\* Items included in recommended spares kits, refer to model tables for recommended Spares Kit part number. Quantities included in kit may vary, refer to TABLE 1 for details.

THIS PAGE INTENTIONALLY LEFT BLANK

## 222" X 50" X 104" (564 X 127 X 264) CABINETS



**TABLE 12 - 222" X 50" X 104" (564 X 127 X 264) MODELS**

MODEL #	HP	VOLTAGE	HZ	RECOMMENDED SPARE KITS		CABINET SIZE IN (CM)
				WITHOUT MODULE	WITH MODULE	
MVVSD2000RK-80	2000	2300	60	031-02805-000	031-02839-000	222" x 50" x 104" (564 x 127 x 264)
MVVSD2250RK-80	2250			031-02806-000	031-02840-000	
MVVSD2500RK-80	2500			031-02807-000	031-02841-000	

**TABLE 13 - 174" X 50" X 104" (442 X 127 X 264) COMPONENTS**

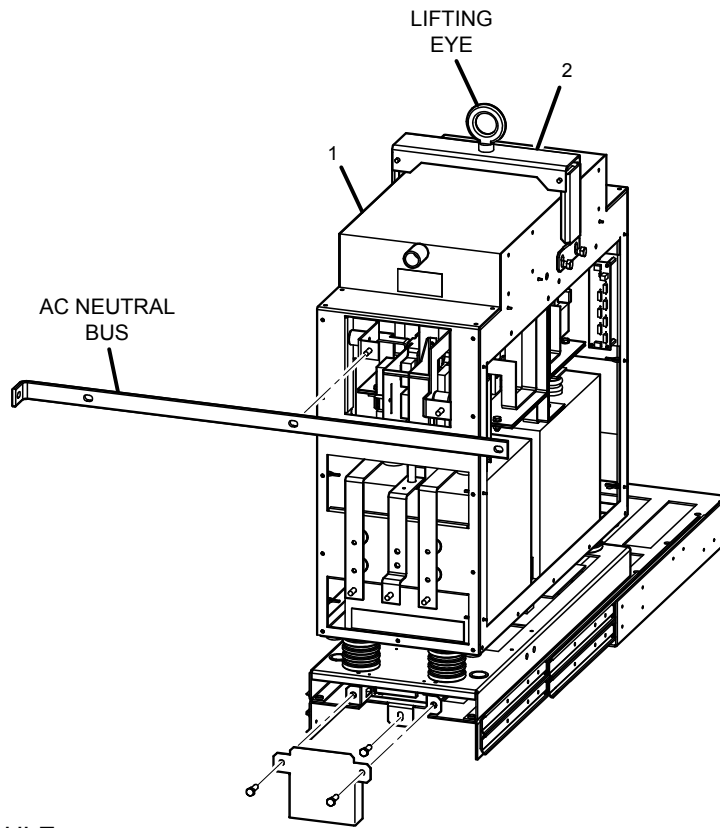
ITEM	DESCRIPTION	YORK PART NO.	QUANTITY	FIGURE
**1	POWER MODULE (GC16733G050A) 2000 HP	031-02793-000	3	1
**1	POWER MODULE (GCI6734G050A) 2250/2500 HP	031-02794-000	3	1
2	LIFT ATTACHMENT FOR POWER MODULE (031-02793-000)	031-03082-000	-	1
2	LIFT ATTACHMENT FOR POWER MODULE (031-02794-000)	031-03086-000	-	1
<b>ASSY, CONTROL COMPONENTS</b>				
1	MOV 625VAC 825VDC, 230J	031-02665-000	3	2
2	BREAKER, 20A, 600V	031-02666-000	1	2
2	BREAKER, 15A, 600V	031-02667-000	1	2
4	CONTROL RELAY, 4A0B, 24VDC, 1.5W	031-02668-000	1	2
18	CONTROL RELAY, 4A0B, 120VAC	031-02669-000	1	2
6	CONTROL RELAY, 2A2B, 480VAC	031-03272-000	1	2
7	FUSE, 5.0A, 600VAC	031-02670-000	2	2
**8	POWER SUPPLY ASSEMBLY	031-02672-000	1	2
**9	PWB, CTR, Wi SERIES, TYPE: M	031-02674-000	1	2
**10	PWB, XIO Wi SERIES DIFFERENTIAL	031-02675-000	1	2
**11	PWB, DISP. T300MVi-EOI	031-02676-000	1	2
**12	PWB, T300MVi I/F	031-02677-000	1	2
**13	PWB, GDI, Wi SERIES, INTERNAL HCT	031-02678-000	1	2
**14	PWB, PDM	031-02679-000	1	2
**15	PWB, GSD3+, TYPE B3	031-02673-000	1	2
<b>HCT, GRP</b>				
1	CT HALL 300A/120MA CLD LOOP	031-02681-000	2	3
2	RES, 100K ohm, 225W, NON-IND	031-02671-000	1	3
<b>RECTIFIER &amp; FUSES</b>				
**1	FUSE, AC/DC, 700V-500A W/IND (2000 HP)	031-03266-000	36	5
**1	FUSE, AC/DC, 700V-600A W/IND (2250/2500 HP)	031-03267-000	36	5
**2	DIODE/DIODE, PK, 540A, 2200V	031-02690-000	36	5
3	RES, 50K ohm, 100W, 4KV	031-02686-000	12	5
<b>PRECHARGE ASSMEBLY</b>				
1	VACUUM CONTACTOR	031-02702-000	2	4
-	GAUGE, WEAR	031-02706-000	-	-
-	GREASE, B9	031-02777-000	-	-
7	AUX CONTACT BLK	031-02693-000	2	4
2	DRIVE UNIT (CIRCUIT BOARD)	031-02704-000	2	4
4	CLOSING COIL (KIT)	031-02703-000	2	4
<b>MISCELLANEOUS</b>				
**11	FUSE, E/600E 5.5KV 12DD (2000 HP)	031-02720-000	3	4
**11	FUSE, E/750E 5.5KV 12DD (2250/2500 HP)	031-02721-000	3	4
2	CPT 2400: 120 500VA (1250/1500/1750 HP)	031-02712-000	1	6
2	CPT 3300: 400/115 3/2KVA (2250/2500 HP 50Hz)	031-02796-000	1	6
2	CPT 3300: 460/115 3/2KVA (2250/2500 HP 60Hz)	031-03264-000	1	6
<b>CPT AND FUSES</b>				
9	CPT 2400: 120 5KVA (2000-2500 HP)	031-02774-000	2	6
**10	FUSE, E/5E 4.8KV 5.63	031-03270-000	4	4

**TABLE 13 (CONT'D) - 174" X 50" X 104" (442 X 127 X 264) COMPONENTS**

ITEM	DESCRIPTION	YORK PART NO.	QUANTITY	FIGURE
<b>FAN ASSEMBLY</b>				
<b>**1</b>	FAN, 3700 CFM, 460V, 3PH	031-02714-000	2	7
<b>CHILLER OIL PUMP PANEL</b>				
-	PWB, Wi, MV, MODBUS, Ethernet	031-02673-000	1	*
<b>16</b>	FUSE, 7A , 600V	031-02775-000	3	2
<b>17</b>	FUSE, 20A, 600V	031-02776-000	1	2
-	CTT 25A, 120V Coil	031-03260-000	1	*
-	FRONT AUX. CONTACT	031-03261-000	1	*
<b>5</b>	CONTROL RELAY 2A2B, 24VDC, 1.8W	031-03262-000	2	2
<b>FILTERS</b>				
<b>1</b>	FILTER, .75 X 29.5 X 20.0 ALUMINUM MESH	031-02727-000	-	8

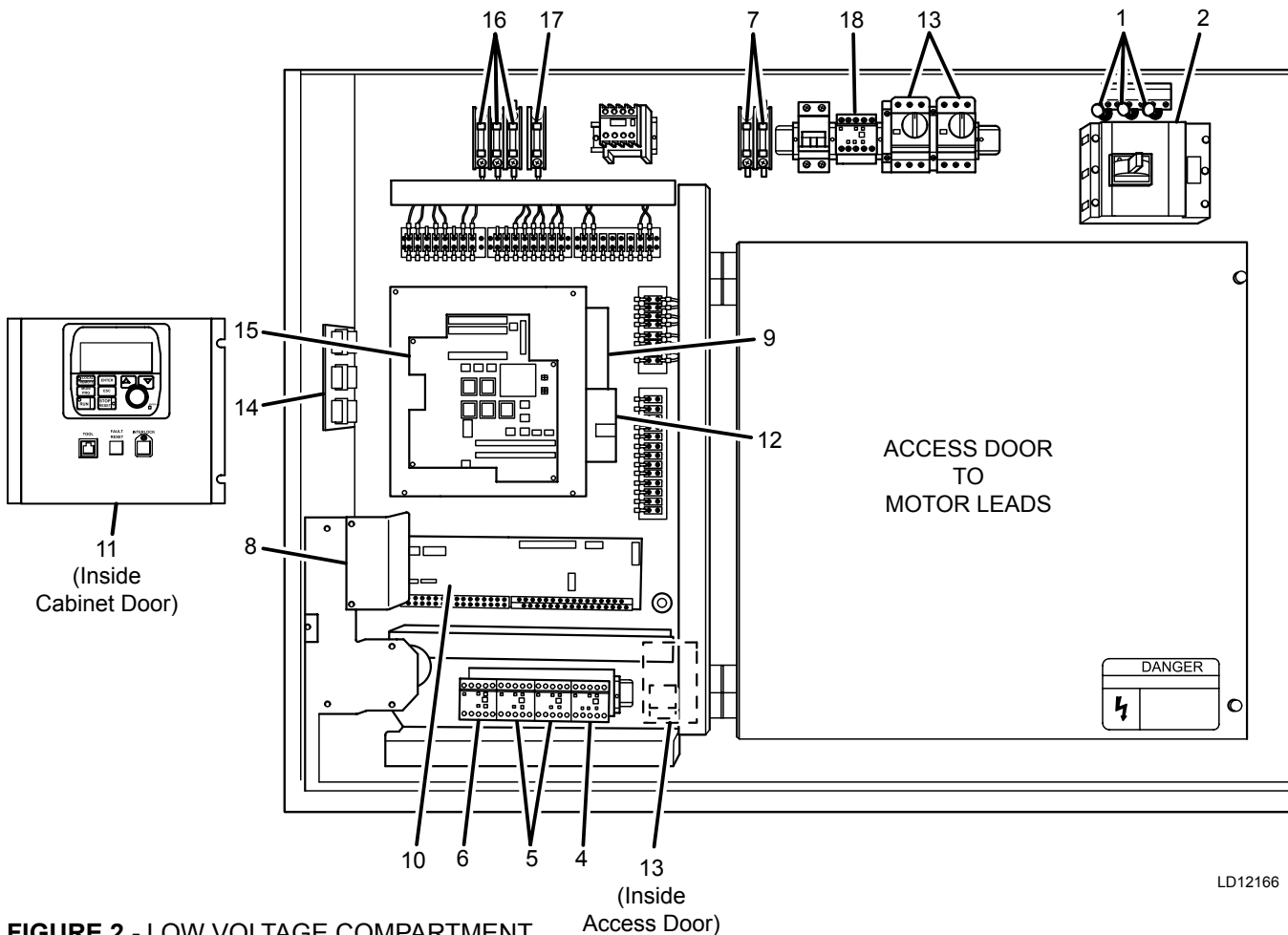
\* Items Not Shown.

\*\* Items included in recommended spares kits, refer to model tables for recommended Spares Kit part number. Quantities included in kit may vary, refer to TABLE 1 for details.



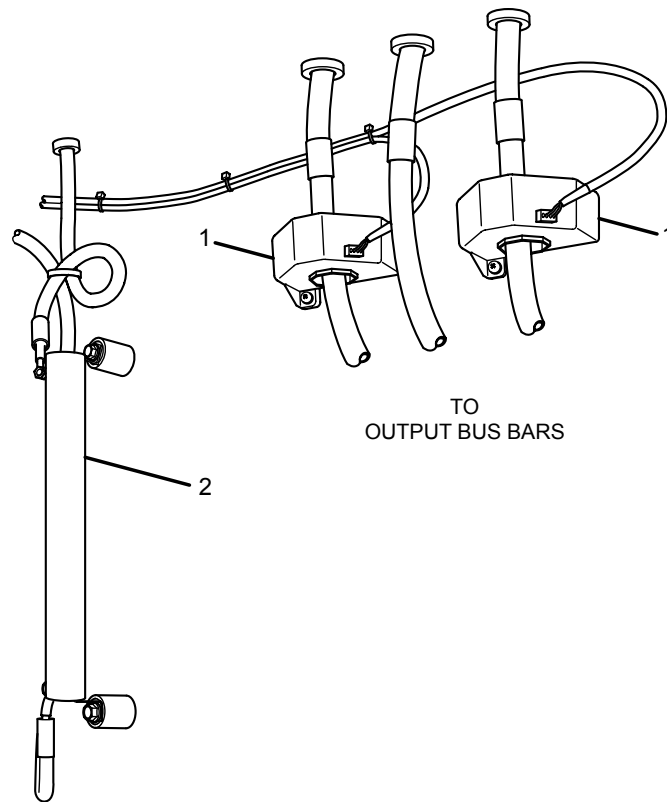
LD15422a

FIGURE 1 - POWER MODULE

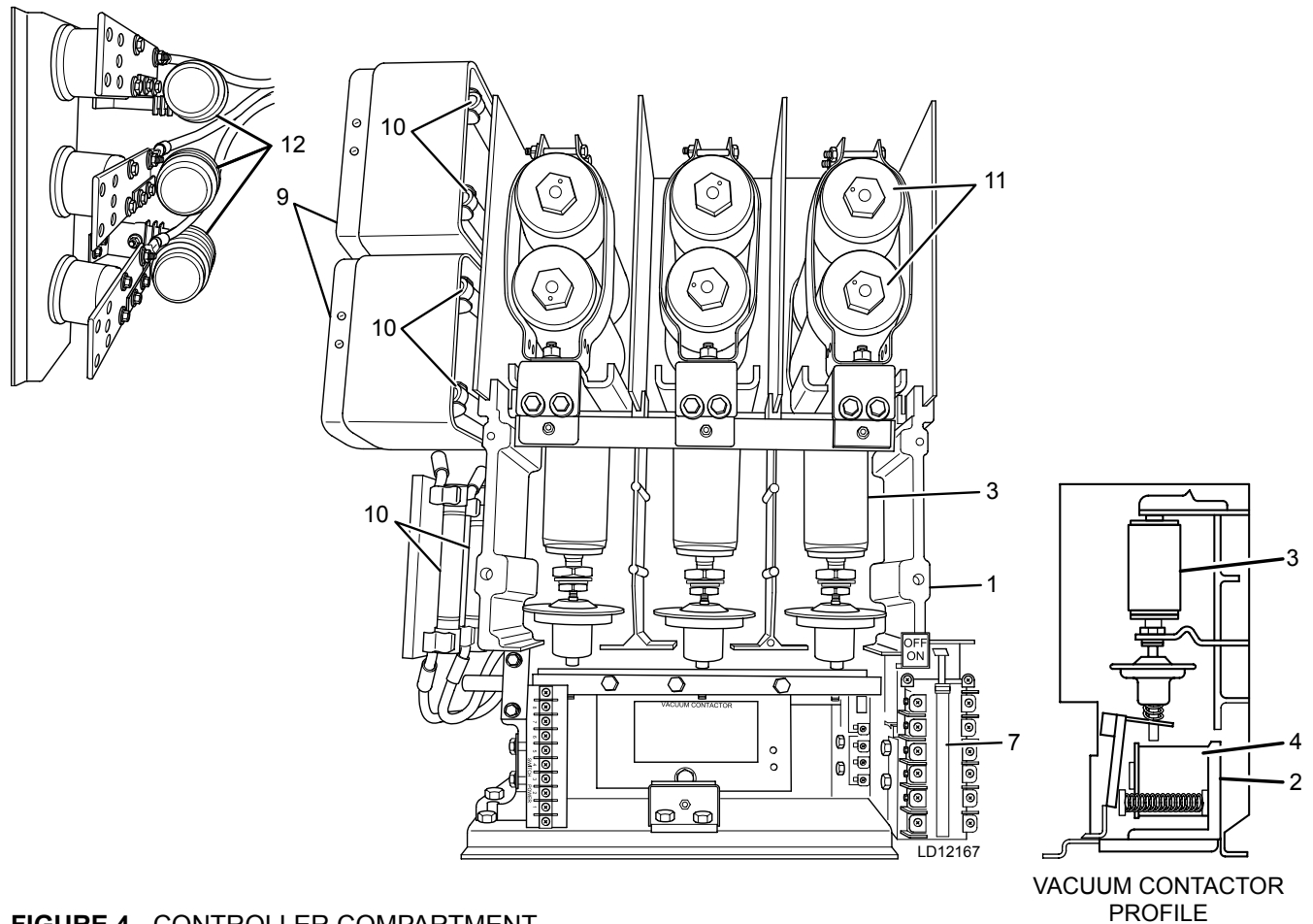


LD12166

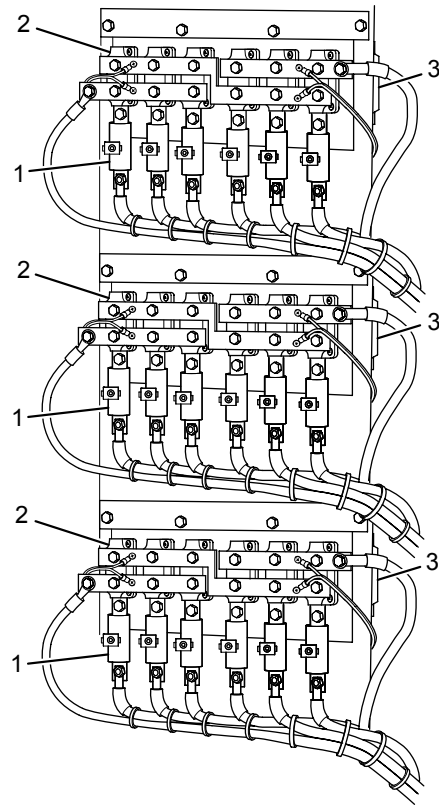
FIGURE 2 - LOW VOLTAGE COMPARTMENT



**FIGURE 3 - MOTOR LEAD COMPARTMENT**

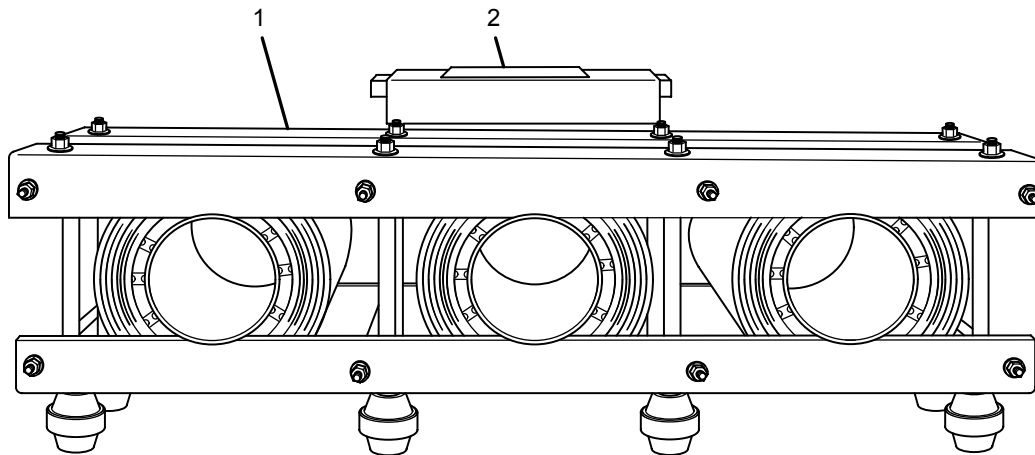


**FIGURE 4 - CONTROLLER COMPARTMENT**



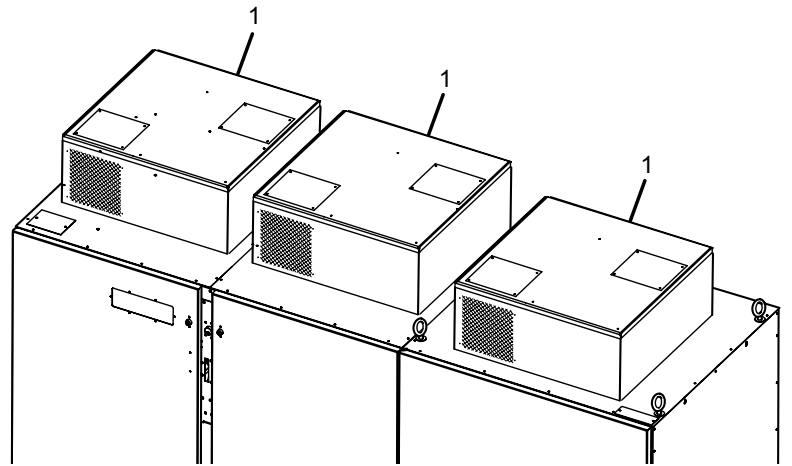
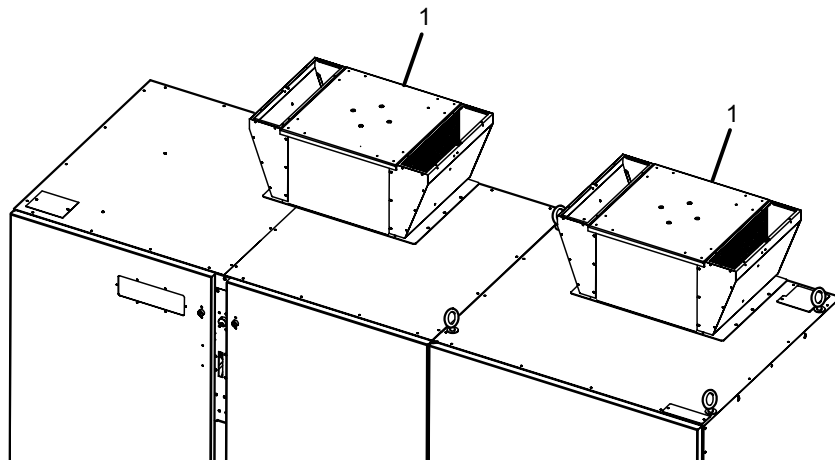
LD12176

**FIGURE 5 - RECTIFIER AND FUSES**



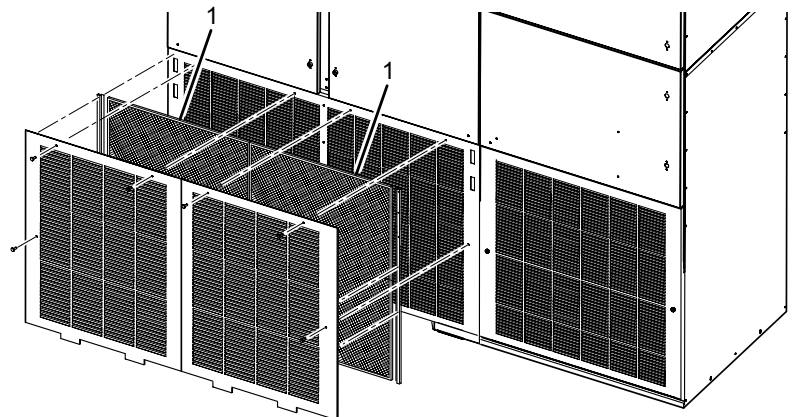
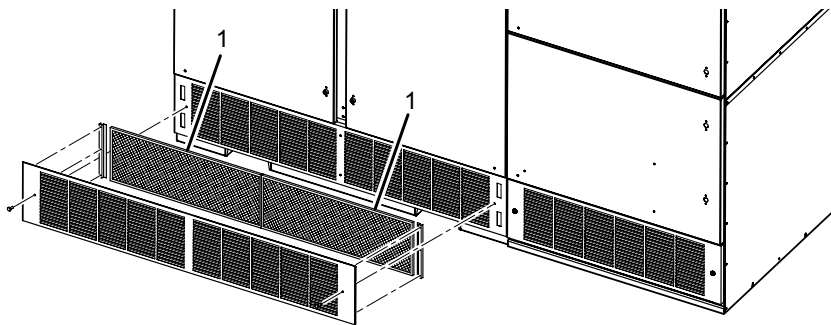
LD12179

**FIGURE 6 - PRE-CHARGE ASSEMBLY**



LD12178

**FIGURE 7 - FANS**



LD12178a

**FIGURE 8 - FILTERS**



P.O. Box 1592, York, Pennsylvania USA 17405-1592  
Copyright © by Johnson Controls 2013  
Form 160.00-RP6 (713)  
Issue Date: July 31, 2013  
Supersedes: 160.00-RP6 (512)

Tele. 800-861-1001  
[www.johnsoncontrols.com](http://www.johnsoncontrols.com)

Subject to change without notice. Printed in USA  
ALL RIGHTS RESERVED