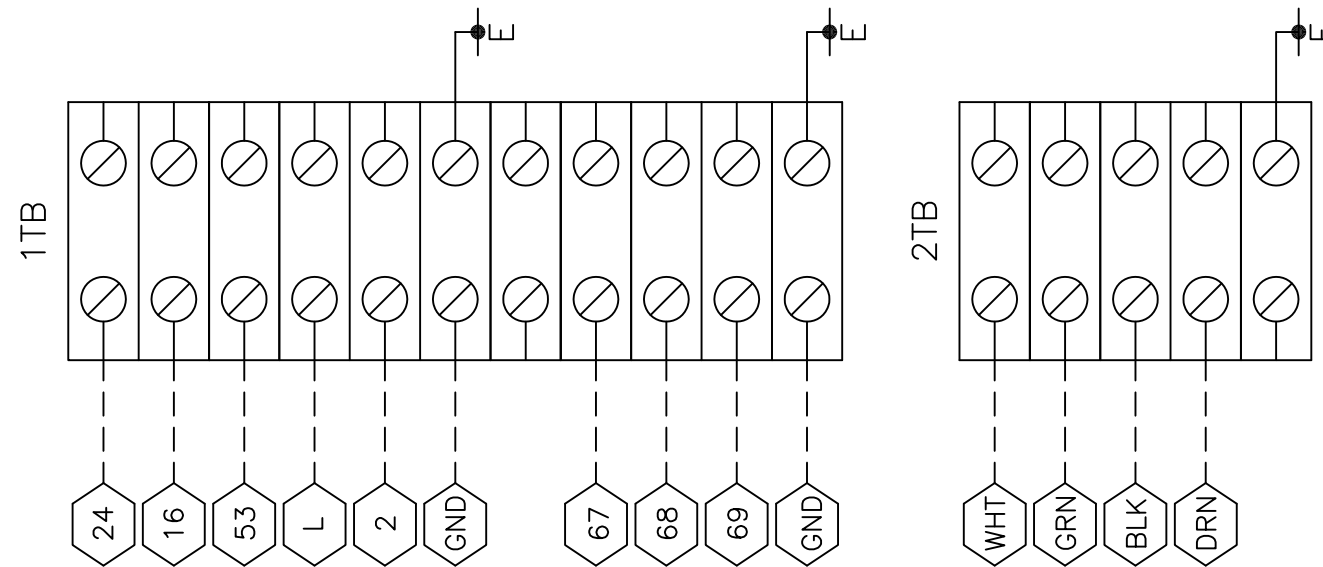


CHILLER SYSTEM INTERFACE



CUSTOMER TERMINAL BLOCK

YORK INTERNATIONAL CORPORATION YORK, PA . 17405			
DIMENSIONS ARE IN INCHES DO NOT SCALE TOLERANCES PER ENG. STD. M-282 WELDING PER ENG. STD. M-30 REF. DWG.		CHILLER SYSTEM TERMINAL CONNECTIONS	
DR. _____ APPR. _____ SCALE: _____		NAME _____ DATE _____ SIZE D	CAGE NO _____ DRAWING NUMBER 1808JS28
WT. = _____ LBS.		ORIG. NO. _____	SHEET 14 of 15

REV. LEV.	DATE	REVISION RECORD	CHG. NO.	DR.	CK.	REV. LEV.	DATE	REVISION RECORD	CHG. NO.	DR.	CK.	REV. LEV.	DATE	REVISION RECORD	CHG. NO.	DR.	CK.
6						13						20					
5						12						19					
4						11						18					
3						10						17					
2						9						16					
1	02/05/06	REMOVED 2TB JUMPER			OB AL	8						15					
0	06/23/06	FIRST ISSUE			OB AL	7						14					

ALL PROPRIETARY RIGHTS IN THE SUBJECT MATTER HEREOF ARE RESERVED, AND NO PERMISSION IS GRANTED TO REPRODUCE THIS PRINT IN WHOLE OR IN PART, OR DISCLOSE ANY OF THE INFORMATION UPON IT TO OTHERS WITHOUT WRITTEN RELEASE BY YORK INTERNATIONAL CORPORATION.