

CUST. NAME: TOSHIBA INTERNATIONAL CORP.

PROJECT NO.: TIC STANDARD

P.O. NUMBER:

DESCRIPTION: GCI6721G050, POWER MODULE
FRAME 1, 4160V

FINAL

PRELIMINARY

FOR APPROVAL

Note: Final Engineering and Manufacturing will proceed upon receipt of final approval

- NOT APPROVED AS NOTED - RESUBMIT DRAWINGS FOR APPROVAL. DO NOT PROCEED WITH FINAL ENGINEERING OR MANUFACTURING.
- APPROVED AS NOTED - PROCEED WITH FINAL ENGINEERING AND MANUFACTURING.
- APPROVED AS SUBMITTED - PROCEED WITH FINAL ENGINEERING AND MANUFACTURING.

APPROVAL BY:

Initial

Date

NO	DRAWING NO	REV	DRAWING DESCRIPTION
00	1808D600	0	DRAWING LIST (1)
01	---	--	----
02	---	--	----
03	---	--	----
04	---	--	----
05	1808D605	0	RATING SHEET
06	---	--	----
07	---	--	----
08	---	--	----
09	---	--	----
10	---	--	----
11	1808D611	0	MAIN CIRCUIT
12	---	--	----
13	---	--	----
14	---	--	----
15	1808D615	0	CONTROL CIRCUIT

NO	DRAWING NO	REV	DRAWING DESCRIPTION
16	---	--	----
17	---	--	----
18	---	--	----
19	---	--	----
20	---	--	----
21	1908D621	0	WIRING DIAGRAM - FIBER, BOTTOM
22	1908D622	0	WIRING DIAGRAM - FIBER, LEFT
23	1908D623	0	WIRING DIAGRAM - FIBER, RIGHT
24	1908D624	0	WIRING DIAGRAM - FIBER, FRONT
25	---	--	----
26	---	--	----
27	1908D627	0	WIRING DIAGRAM - ELECTRICAL, BOTTOM
28	1908D628	0	WIRING DIAGRAM - ELECTRICAL, LEFT
29	1908D629	0	WIRING DIAGRAM - ELECTRICAL, RIGHT
30	1908D630	0	WIRING DIAGRAM - ELECTRICAL, FRONT
31	---	--	----

4					
3					
2					
1					
0	04/30/02	FIRST ISSUE	TAW		
REV	DATE	DESCRIPTION	BY	CHK	APPR

TOSHIBA
TOSHIBA INTERNATIONAL CORPORATION
MADE IN HOUSTON, TEXAS U.S.A.

THIS MATERIAL IS THE EXCLUSIVE PROPERTY OF TOSHIBA INTERNATIONAL CORPORATION AND SHALL NOT BE REPRODUCED, USED, OR DISCLOSED TO OTHERS UNLESS PRIOR WRITTEN AUTHORIZATION IS OBTAINED.

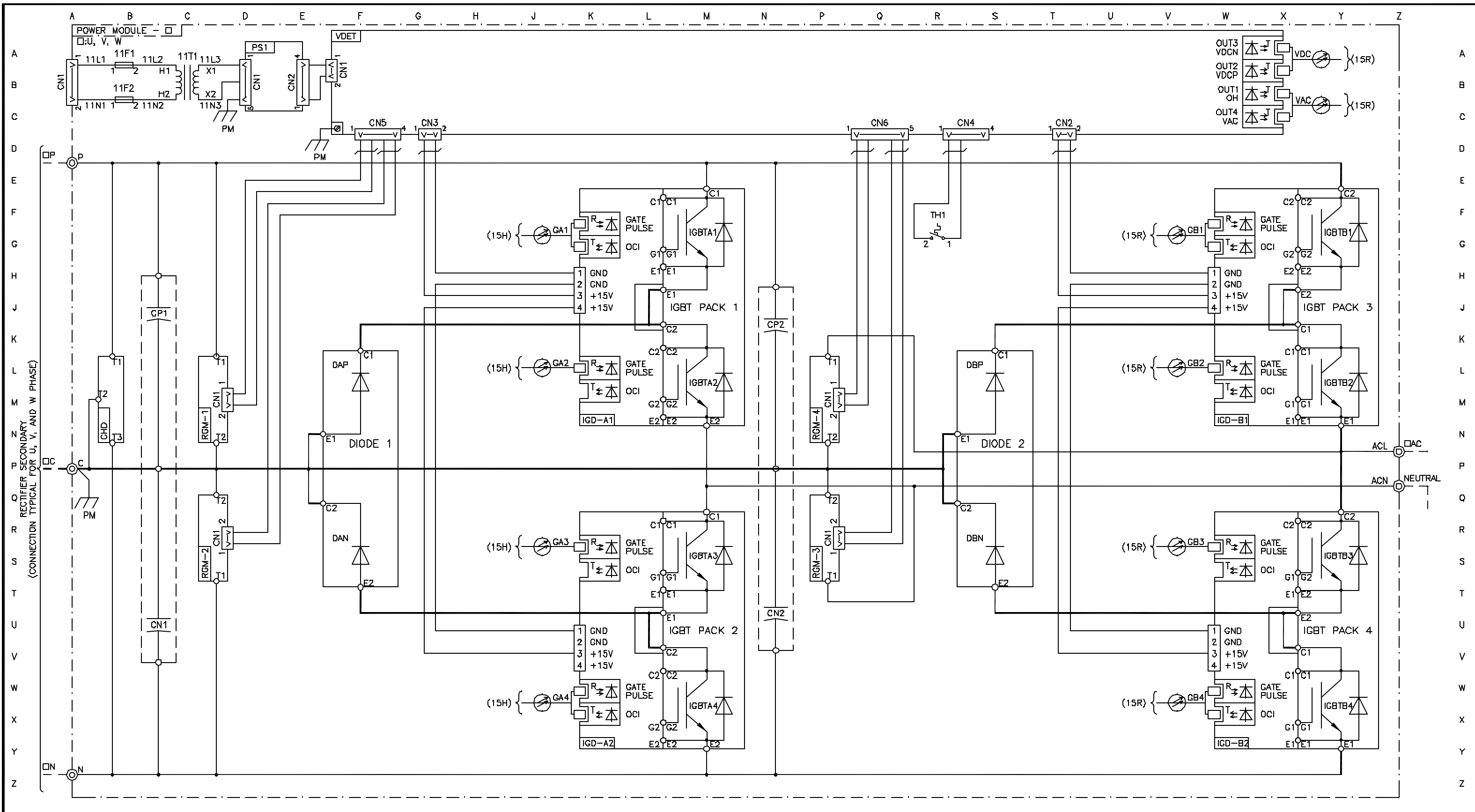
TITLE: DRAWING LIST
POWER MODULE, FRAME 1, 4160V

PRODUCT: TOSVERT-300MV

REVISION: 0 SCALE: NTS

FILE NAME:

ITEM NUMBER: 1808D600



4					
3					
2					
1					
0	05/28/02	FIRST ISSUE	TAW		
REV	DATE	DESCRIPTION	BY	CHK	APPR

TOSHIBA
TOSHIBA INTERNATIONAL CORPORATION
 MADE IN HOUSTON, TEXAS U.S.A.

THIS MATERIAL IS THE EXCLUSIVE PROPERTY OF TOSHIBA INTERNATIONAL CORPORATION AND SHALL NOT BE REPRODUCED, USED, OR DISCLOSED TO OTHERS UNLESS PRIOR WRITTEN AUTHORIZATION IS OBTAINED.

TITLE:
 MAIN CIRCUIT
 POWER MODULE, FRAME 1, 4160V

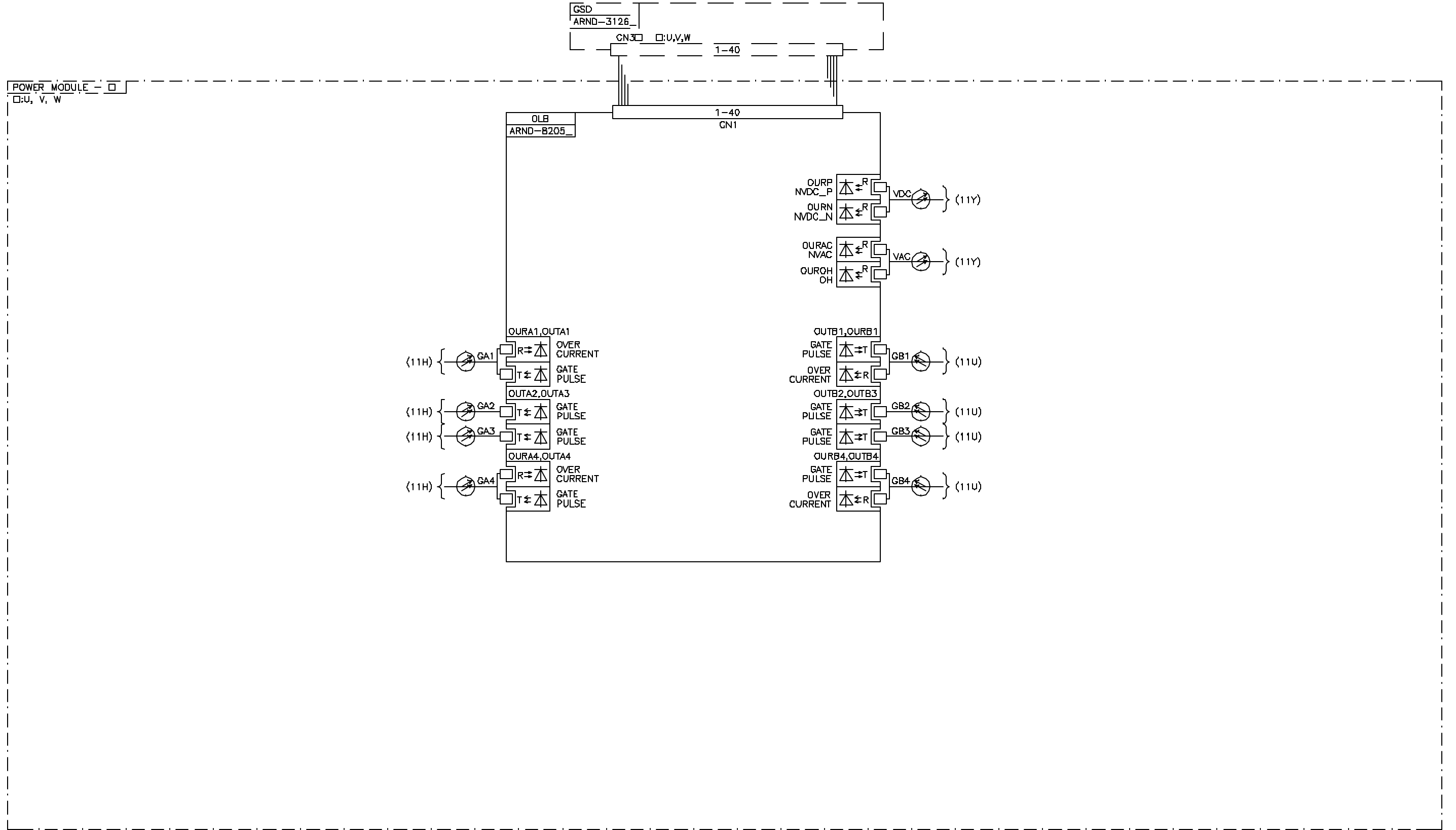
PRODUCT:
 TOSVERT-300MV

REVISION: 0
 SCALE: NTS

FILE NAME:

ITEM NUMBER:
 1808D611

A B C D E F G H J K L M N P Q R S T U V W X Y Z



4					
3					
2					
1					
D	01/23/04	FIRST ISSUE	TAW		
REV	DATE	DESCRIPTION	BY	CHK	APPR

TOSHIBA
TOSHIBA INTERNATIONAL CORPORATION
 MADE IN HOUSTON, TEXAS U.S.A.

THIS MATERIAL IS THE EXCLUSIVE PROPERTY OF TOSHIBA INTERNATIONAL CORPORATION AND SHALL NOT BE REPRODUCED, USED, OR DISCLOSED TO OTHERS UNLESS PRIOR WRITTEN AUTHORIZATION IS OBTAINED.

TITLE:
 OPTICAL INTERFACE
 POWER MODULE, FRAME 1, 4160V

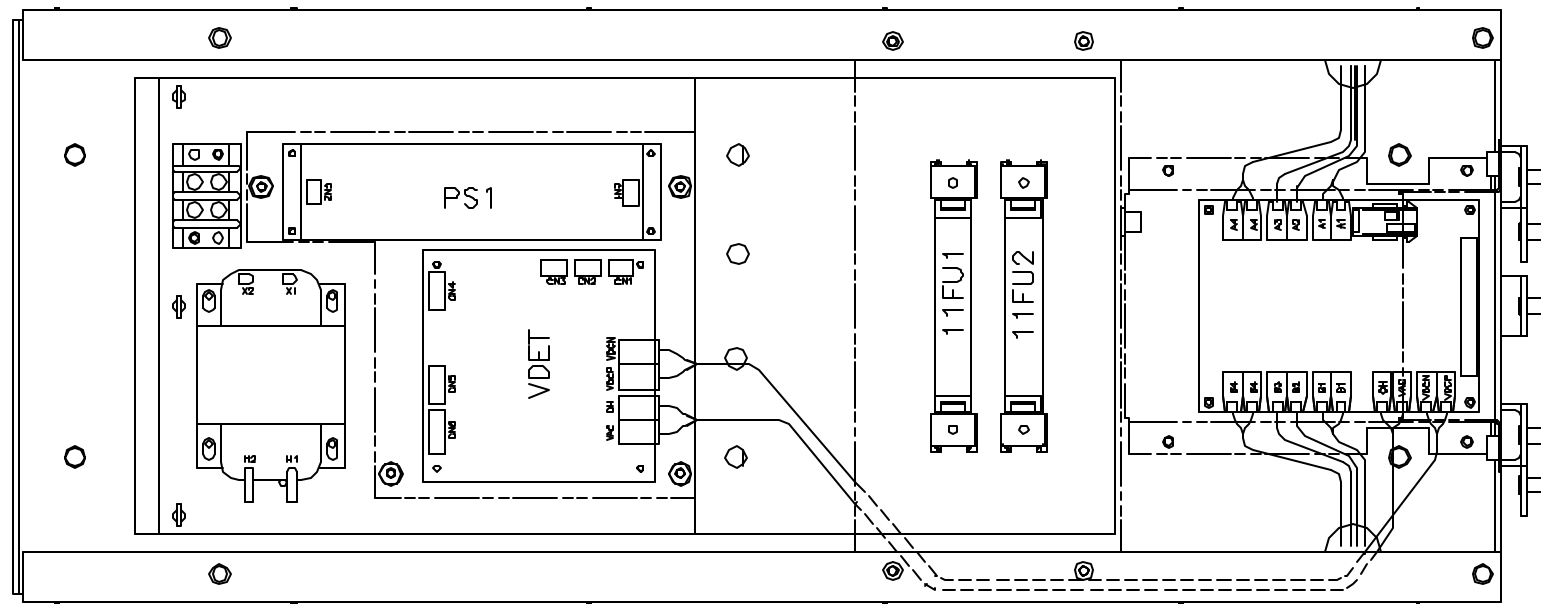
PRODUCT:
 TOSVERT-300MV

REVISION:
 0

SCALE:
 NTS

FILE NAME:

ITEM NUMBER:
 1808D615



BOTTOM VIEW

4					
3					
2					
1					
0	02/06/03	FIRST ISSUE	CJH		
REV	DATE	DESCRIPTION	BY	CHK	APPR

TOSHIBA
TOSHIBA INTERNATIONAL CORPORATION
 MADE IN HOUSTON, TEXAS U.S.A.

THIS MATERIAL IS THE EXCLUSIVE PROPERTY OF TOSHIBA INTERNATIONAL CORPORATION AND SHALL NOT BE REPRODUCED, USED, OR DISCLOSED TO OTHERS UNLESS PRIOR WRITTEN AUTHORIZATION IS OBTAINED.

TITLE:
 WIRING DIAGRAM, FIBER OPTIC
 POWER MODULE, FRAME 1, 4160V

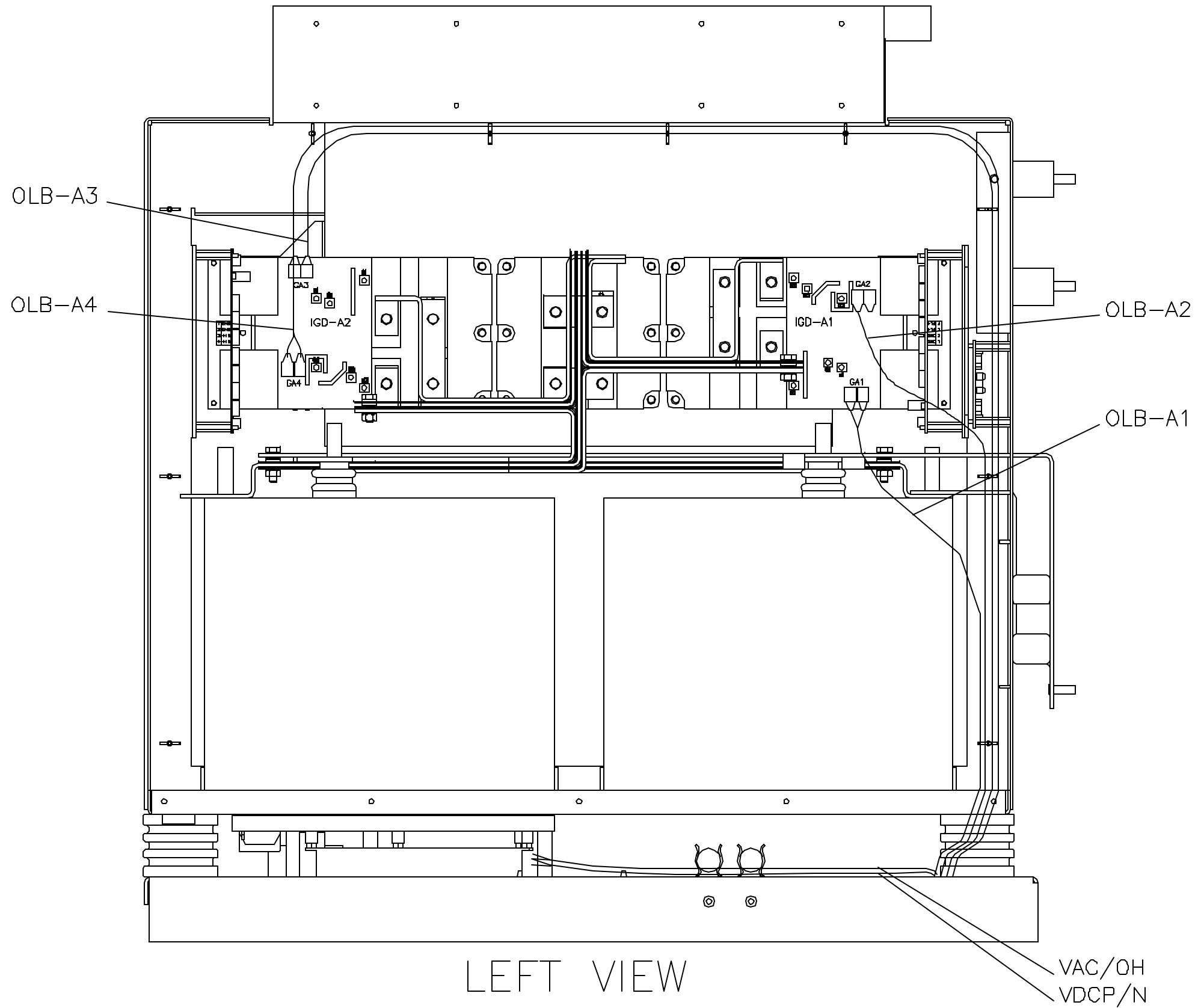
PRODUCT:
 TOSVERT-300MV

REVISION:
 0

SCALE:
 1.0=4.0

FILE NAME:

ITEM NUMBER:
 1908D621



LEFT VIEW

4					
3					
2					
1					
0	06/03/03	FIRST ISSUE	CJH		
REV	DATE	DESCRIPTION	BY	CHK	APPR

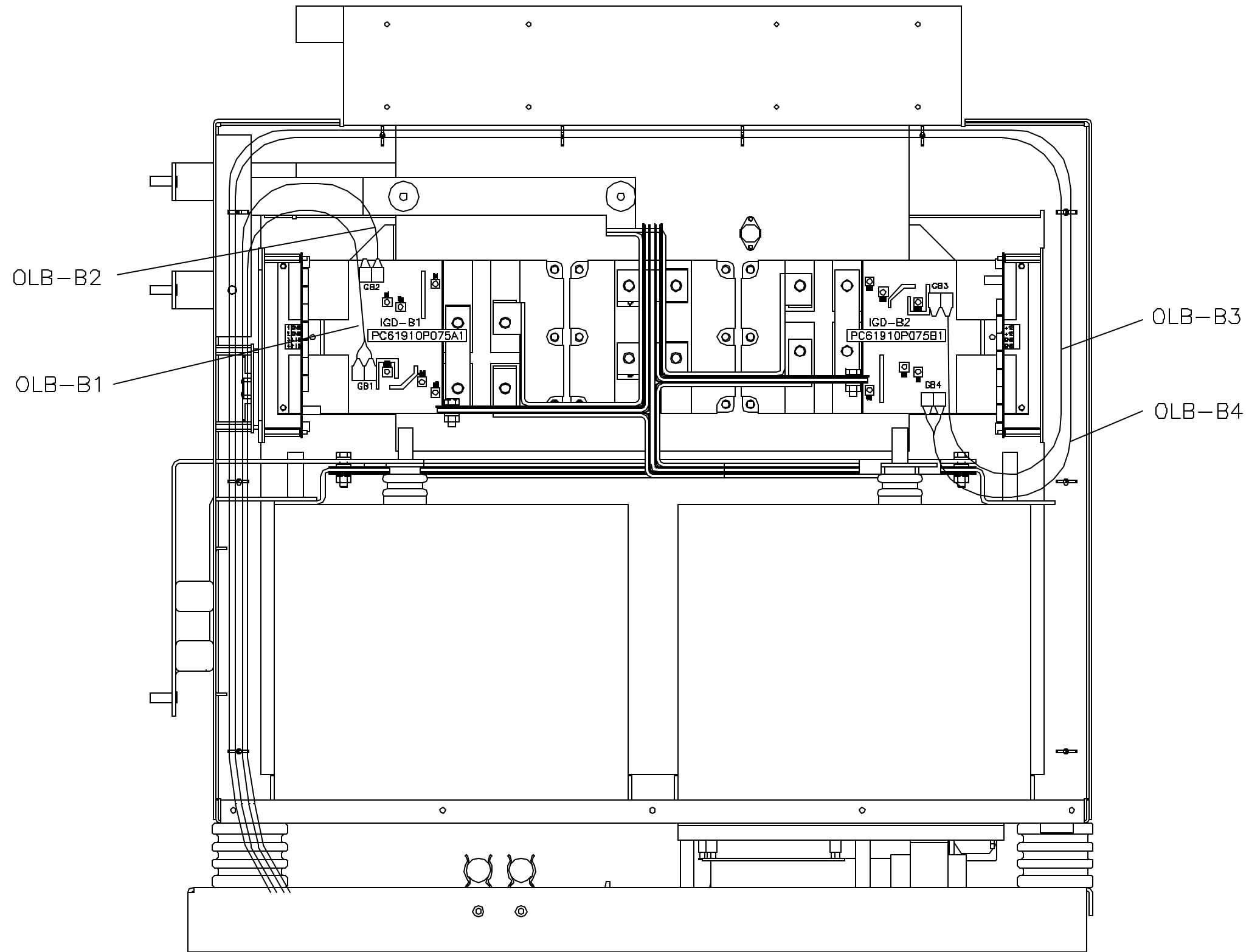
TOSHIBA
TOSHIBA INTERNATIONAL CORPORATION
 MADE IN HOUSTON, TEXAS U.S.A.

THIS MATERIAL IS THE EXCLUSIVE PROPERTY OF TOSHIBA INTERNATIONAL CORPORATION AND SHALL NOT BE REPRODUCED, USED, OR DISCLOSED TO OTHERS UNLESS PRIOR WRITTEN AUTHORIZATION IS OBTAINED.

TITLE:
 WIRING DIAGRAM, FIBER OPTIC
 POWER MODULE, FRAME 1, 4160V

PRODUCT:
 TOSVERT-300MV

REVISION: 0	SCALE: 1.0=4.0
FILE NAME:	
ITEM NUMBER: 1908D622	



RIGHT VIEW

4					
3					
2					
1					
0	06/03/03	FIRST ISSUE	CJH		
REV	DATE	DESCRIPTION	BY	CHK	APPR

TOSHIBA
TOSHIBA INTERNATIONAL CORPORATION
 MADE IN HOUSTON, TEXAS U.S.A.

THIS MATERIAL IS THE EXCLUSIVE PROPERTY OF TOSHIBA INTERNATIONAL CORPORATION AND SHALL NOT BE REPRODUCED, USED, OR DISCLOSED TO OTHERS UNLESS PRIOR WRITTEN AUTHORIZATION IS OBTAINED.

TITLE:
 WIRING DIAGRAM, FIBER OPTIC
 POWER MODULE, FRAME 1, 4160V

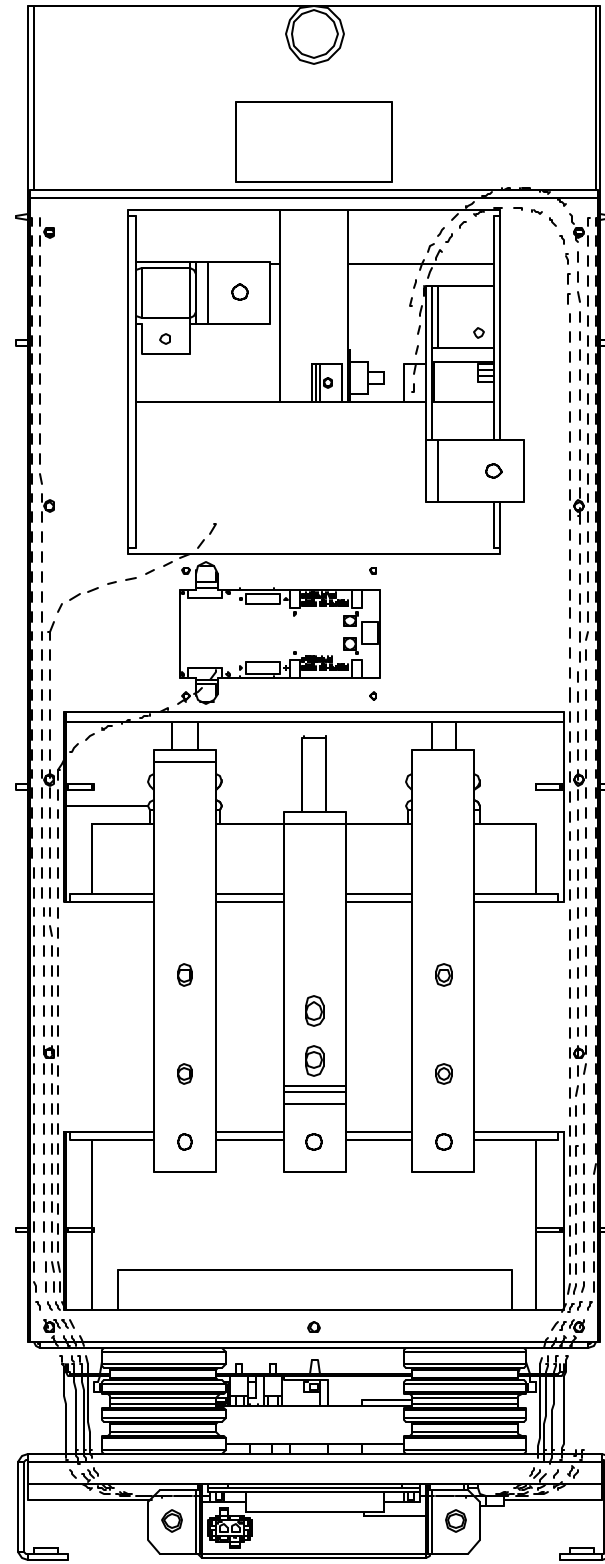
PRODUCT:
 TOSVERT-300MV

REVISION:
 0

SCALE:
 1.0=4.0

FILE NAME:

ITEM NUMBER:
 1908D623



FRONT VIEW

4					
3					
2					
1					
0	02/06/03	FIRST ISSUE	CJH		
REV	DATE	DESCRIPTION	BY	CHK	APPR

TOSHIBA
TOSHIBA INTERNATIONAL CORPORATION
 MADE IN HOUSTON, TEXAS U.S.A.

THIS MATERIAL IS THE EXCLUSIVE PROPERTY OF TOSHIBA INTERNATIONAL CORPORATION AND SHALL NOT BE REPRODUCED, USED, OR DISCLOSED TO OTHERS UNLESS PRIOR WRITTEN AUTHORIZATION IS OBTAINED.

TITLE:
 WIRING DIAGRAM, FIBER OPTIC
 POWER MODULE, FRAME 1, 4160V

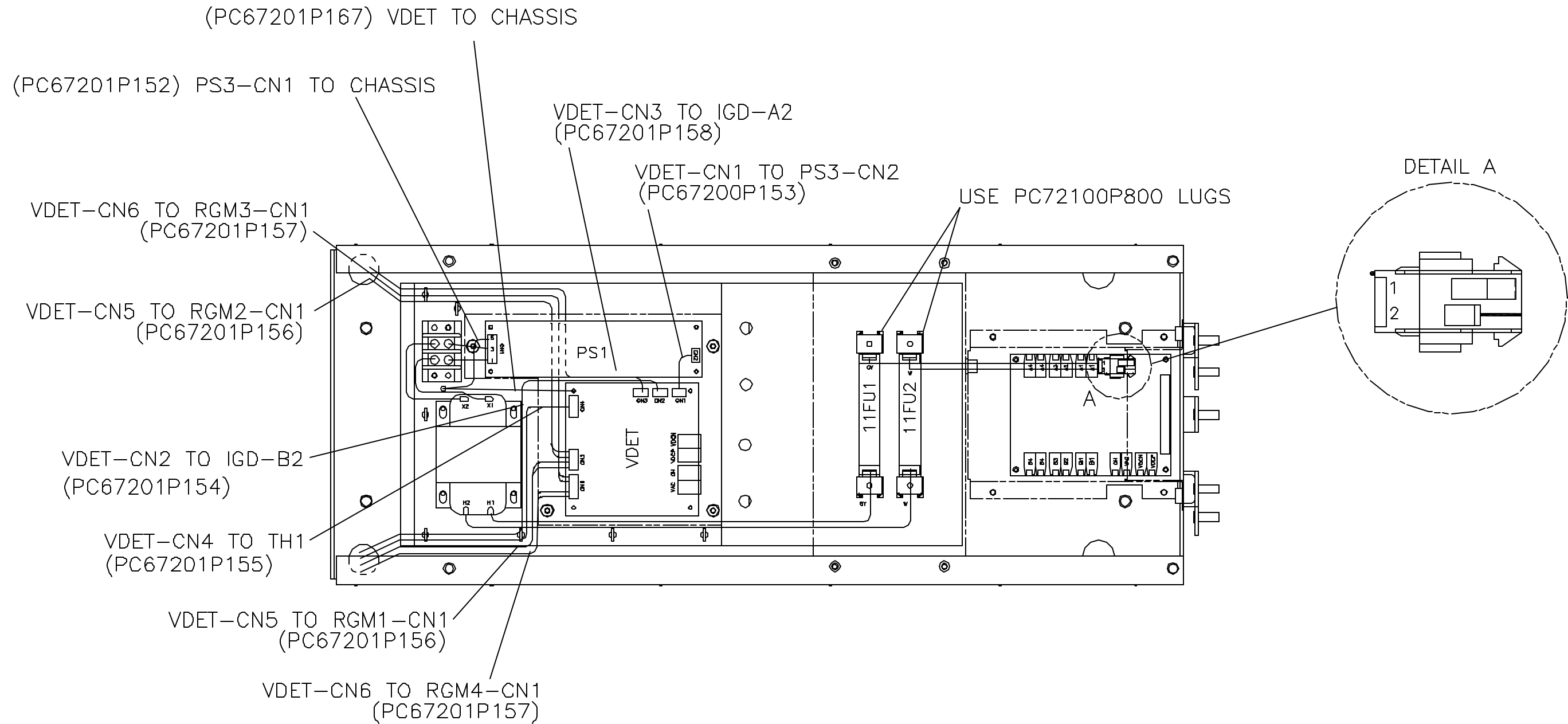
PRODUCT:
 TOSVERT-300MV

REVISION:
 0

SCALE:
 1.0=4.0

FILE NAME:

ITEM NUMBER:
 1908D624



BOTTOM VIEW

4					
3					
2					
1					
0	02/06/03	FIRST ISSUE	CJH		
REV	DATE	DESCRIPTION	BY	CHK	APPR

TOSHIBA
TOSHIBA INTERNATIONAL CORPORATION
 MADE IN HOUSTON, TEXAS U.S.A.

THIS MATERIAL IS THE EXCLUSIVE PROPERTY OF TOSHIBA INTERNATIONAL CORPORATION AND SHALL NOT BE REPRODUCED, USED, OR DISCLOSED TO OTHERS UNLESS PRIOR WRITTEN AUTHORIZATION IS OBTAINED.

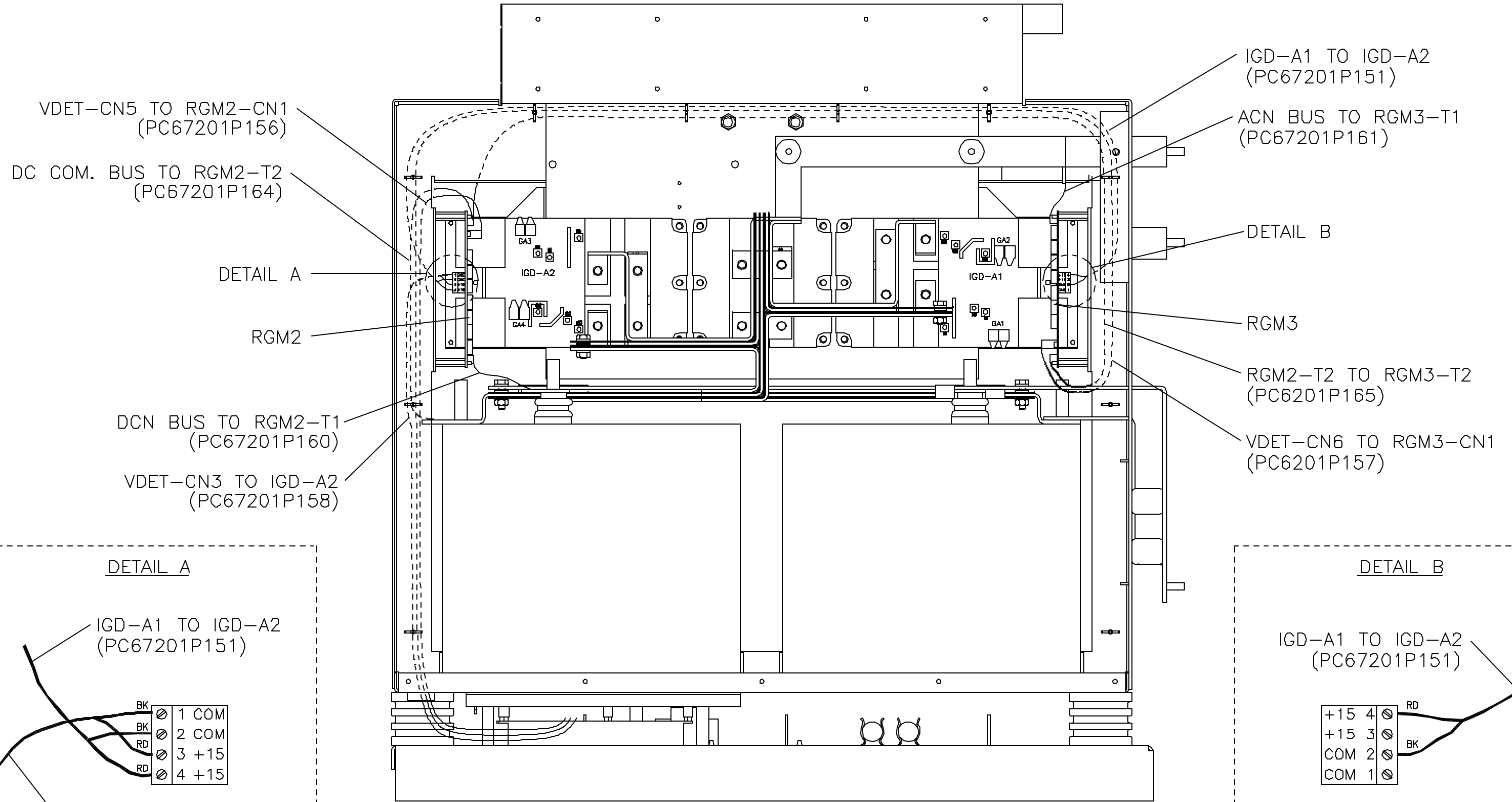
TITLE:
 WIRING DIAGRAM, ELECTRICAL
 POWER MODULE, FRAME 1, 4160V

PRODUCT:
 TOSVERT-300MV

REVISION: 0
 SCALE: 1.0=4.0

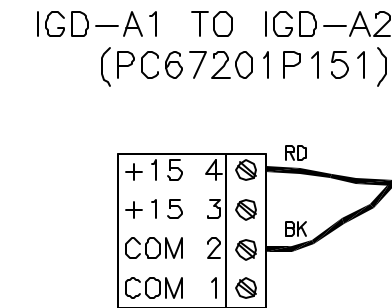
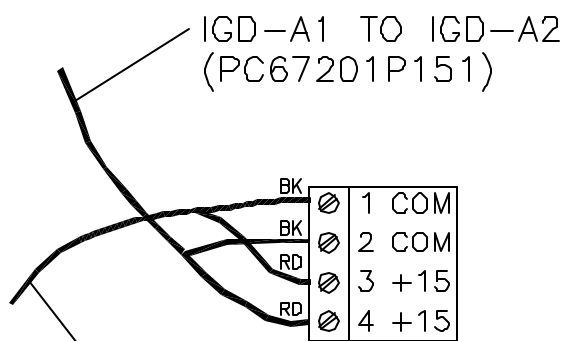
FILE NAME:

ITEM NUMBER: 1908D627



DETAIL A

DETAIL B



VDET-CN3 TO IGD-A2 (PC67201P158)

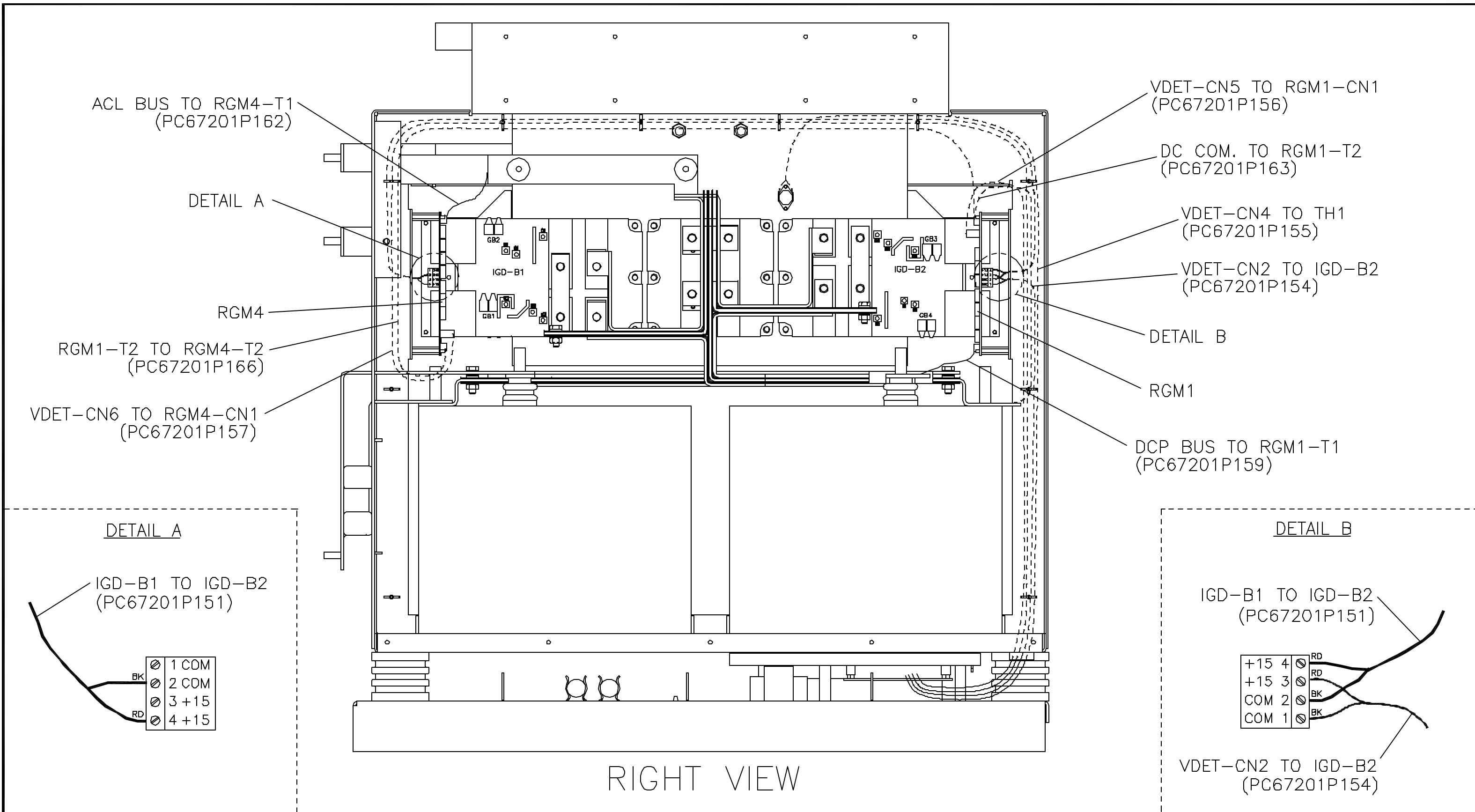
LEFT VIEW

4					
3					
2					
1					
0	06/03/03	FIRST ISSUE	CJH		
REV	DATE	DESCRIPTION	BY	CHK	APPR

TOSHIBA
 TOSHIBA INTERNATIONAL CORPORATION
 MADE IN HOUSTON, TEXAS U.S.A.
 THIS MATERIAL IS THE EXCLUSIVE PROPERTY OF TOSHIBA INTERNATIONAL CORPORATION AND SHALL NOT BE REPRODUCED, USED, OR DISCLOSED TO OTHERS UNLESS PRIOR WRITTEN AUTHORIZATION IS OBTAINED.

TITLE:
 WIRING DIAGRAM, ELECTRICAL
 POWER MODULE, FRAME 1, 4160V
 PRODUCT:
 TOSVERT-300MV

REVISION:
 0
 SCALE:
 1.0=4.0
 FILE NAME:
 ITEM NUMBER:
 I908D628



RIGHT VIEW

4					
3					
2					
1					
0	06/03/03	FIRST ISSUE	CJH		
REV	DATE	DESCRIPTION	BY	CHK	APPR

TOSHIBA
TOSHIBA INTERNATIONAL CORPORATION
 MADE IN HOUSTON, TEXAS U.S.A.

THIS MATERIAL IS THE EXCLUSIVE PROPERTY OF TOSHIBA INTERNATIONAL CORPORATION AND SHALL NOT BE REPRODUCED, USED, OR DISCLOSED TO OTHERS UNLESS PRIOR WRITTEN AUTHORIZATION IS OBTAINED.

TITLE:
 WIRING DIAGRAM, ELECTRICAL
 POWER MODULE, FRAME 1, 4160V

PRODUCT:
 TOSVERT-300MV

REVISION: 0	SCALE: 1.0=4.0
FILE NAME:	
ITEM NUMBER: 1908D629	

(PC67201P161) ACN BUS TO RGM3-T1

ACL BUS TO RGM4-T1 (PC67201P162)

DCN TO CHD-T3
(PC67201P170)

(PC67201P165) RGM2-T2 TO RGM3-T2

RGM1-T2 TO RGM4-T2 (PC67201P166)

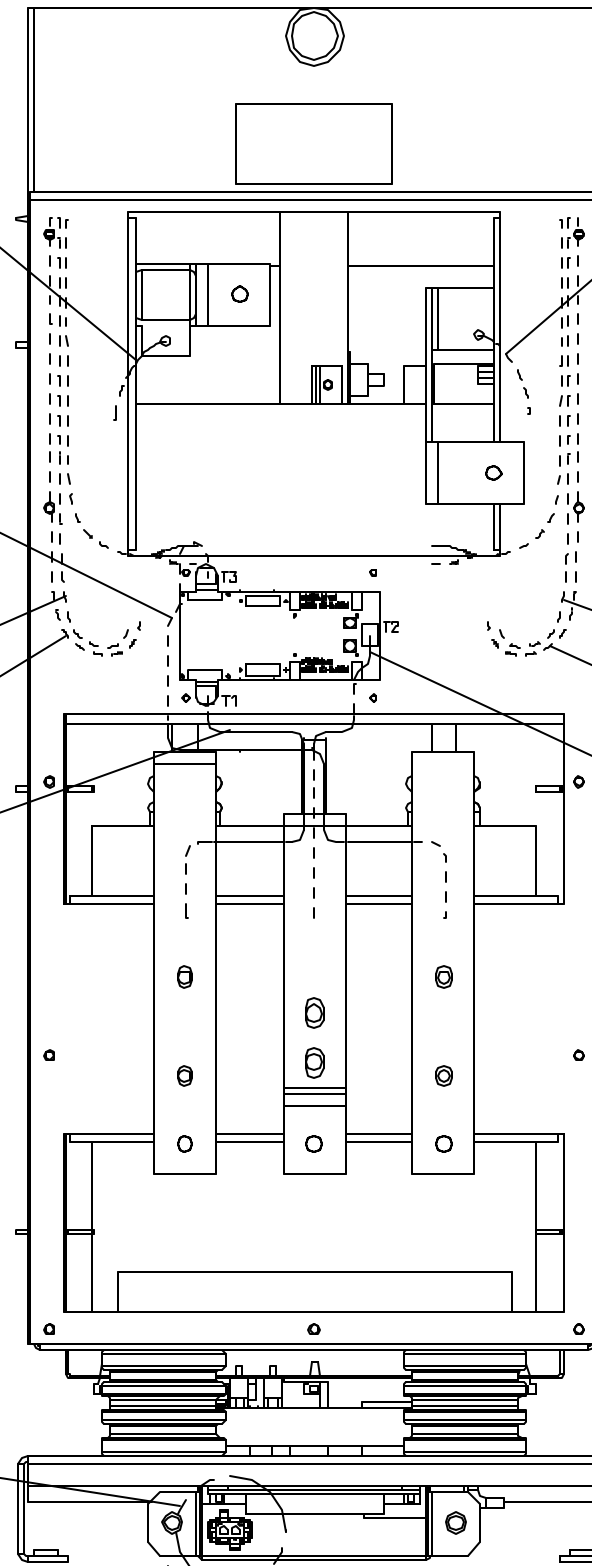
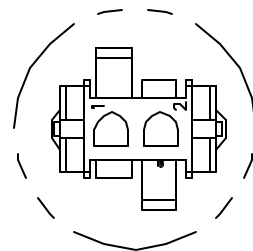
(PC67201P157) VDET-CN6 RGM3-CN1

VDET-CN6 TO RGM4-CN1 (PC67201P157)

DCP TO CHD-T1
(PC67201P168)

DC COM. TO CHD-T2
(PC67201P169)

DETAIL A



FRONT VIEW

4					
3					
2					
1					
0	02/06/03	FIRST ISSUE	CJH		
REV	DATE	DESCRIPTION	BY	CHK	APPR

TOSHIBA
TOSHIBA INTERNATIONAL CORPORATION
 MADE IN HOUSTON, TEXAS U.S.A.

THIS MATERIAL IS THE EXCLUSIVE PROPERTY OF TOSHIBA INTERNATIONAL CORPORATION AND SHALL NOT BE REPRODUCED, USED, OR DISCLOSED TO OTHERS UNLESS PRIOR WRITTEN AUTHORIZATION IS OBTAINED.

TITLE:
 WIRING DIAGRAM, ELECTRICAL
 POWER MODULE, FRAME 1, 4160V

PRODUCT:
 TOSVERT-300MV

REVISION: 0 SCALE: 1.0=4.0
 FILE NAME:
 ITEM NUMBER: 1908D630