

CUST. NAME: TOSHIBA INTERNATIONAL CORP.

PROJECT NO.: TIC STANDARD

P.O. NUMBER:

DESCRIPTION: GCI6720G050, POWER MODULE  
FRAME 0, 4160V

FINAL

PRELIMINARY

FOR APPROVAL

Note: Final Engineering and Manufacturing will proceed upon receipt of final approval

- NOT APPROVED AS NOTED - RESUBMIT DRAWINGS FOR APPROVAL. DO NOT PROCEED WITH FINAL ENGINEERING OR MANUFACTURING.
- APPROVED AS NOTED - PROCEED WITH FINAL ENGINEERING AND MANUFACTURING.
- APPROVED AS SUBMITTED - PROCEED WITH FINAL ENGINEERING AND MANUFACTURING.

APPROVAL BY:

Initial

Date

NO	DRAWING NO	REV	DRAWING DESCRIPTION
00	1808D500	0	DRAWING LIST (1)
01	---	--	----
02	---	--	----
03	---	--	----
04	---	--	----
05	1808D505	0	RATING SHEET
06	---	--	----
07	---	--	----
08	---	--	----
09	---	--	----
10	---	--	----
11	1808D511	0	MAIN CIRCUIT
12	---	--	----
13	---	--	----
14	---	--	----
15	1808D515	0	OPTICAL INTERFACE

NO	DRAWING NO	REV	DRAWING DESCRIPTION
16	---	--	----
17	---	--	----
18	---	--	----
19	---	--	----
20	---	--	----
21	1908D521	0	WIRING DIAGRAM - FIBER, BOTTOM
22	1908D522	0	WIRING DIAGRAM - FIBER, LEFT
23	1908D523	0	WIRING DIAGRAM - FIBER, RIGHT
24	---	--	----
25	---	--	----
26	---	--	----
27	1908D527	0	WIRING DIAGRAM - ELECTRICAL, BOTTOM
28	1908D528	0	WIRING DIAGRAM - ELECTRICAL, LEFT
29	1908D529	0	WIRING DIAGRAM - ELECTRICAL, RIGHT
30	1908D530	0	WIRING DIAGRAM - ELECTRICAL, FRONT
31	---	--	----

4					
3					
2					
1					
0	05/31/02	FIRST ISSUE	TAW		
REV	DATE	DESCRIPTION	BY	CHK	APPR

**TOSHIBA**  
TOSHIBA INTERNATIONAL CORPORATION  
MADE IN HOUSTON, TEXAS U.S.A.

THIS MATERIAL IS THE EXCLUSIVE PROPERTY OF TOSHIBA INTERNATIONAL CORPORATION AND SHALL NOT BE REPRODUCED, USED, OR DISCLOSED TO OTHERS UNLESS PRIOR WRITTEN AUTHORIZATION IS OBTAINED.

TITLE:  
DRAWING LIST - POWER MODULE  
POWER MODULE, FRAME 0, 4160V

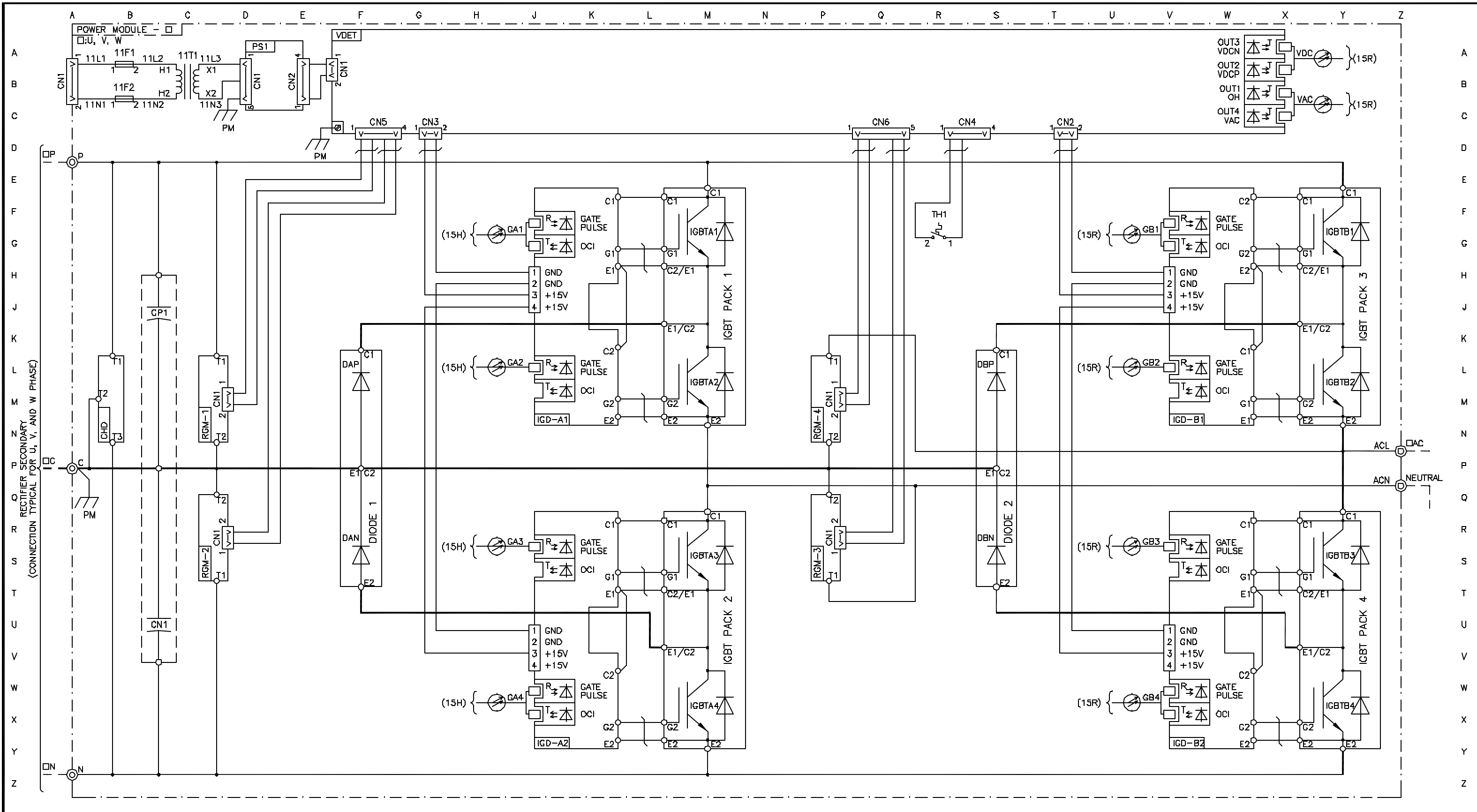
PRODUCT:  
TOSVERT-300MV

REVISION: 0      SCALE: NTS

FILE NAME:

ITEM NUMBER: 1808D500





4					
3					
2					
1					
0	07/23/02	FIRST ISSUE	TAW		
REV	DATE	DESCRIPTION	BY	CHK	APPR

**TOSHIBA**  
**TOSHIBA INTERNATIONAL CORPORATION**  
 MADE IN HOUSTON, TEXAS U.S.A.

THIS MATERIAL IS THE EXCLUSIVE PROPERTY OF TOSHIBA INTERNATIONAL CORPORATION AND SHALL NOT BE REPRODUCED, USED, OR DISCLOSED TO OTHERS UNLESS PRIOR WRITTEN AUTHORIZATION IS OBTAINED.

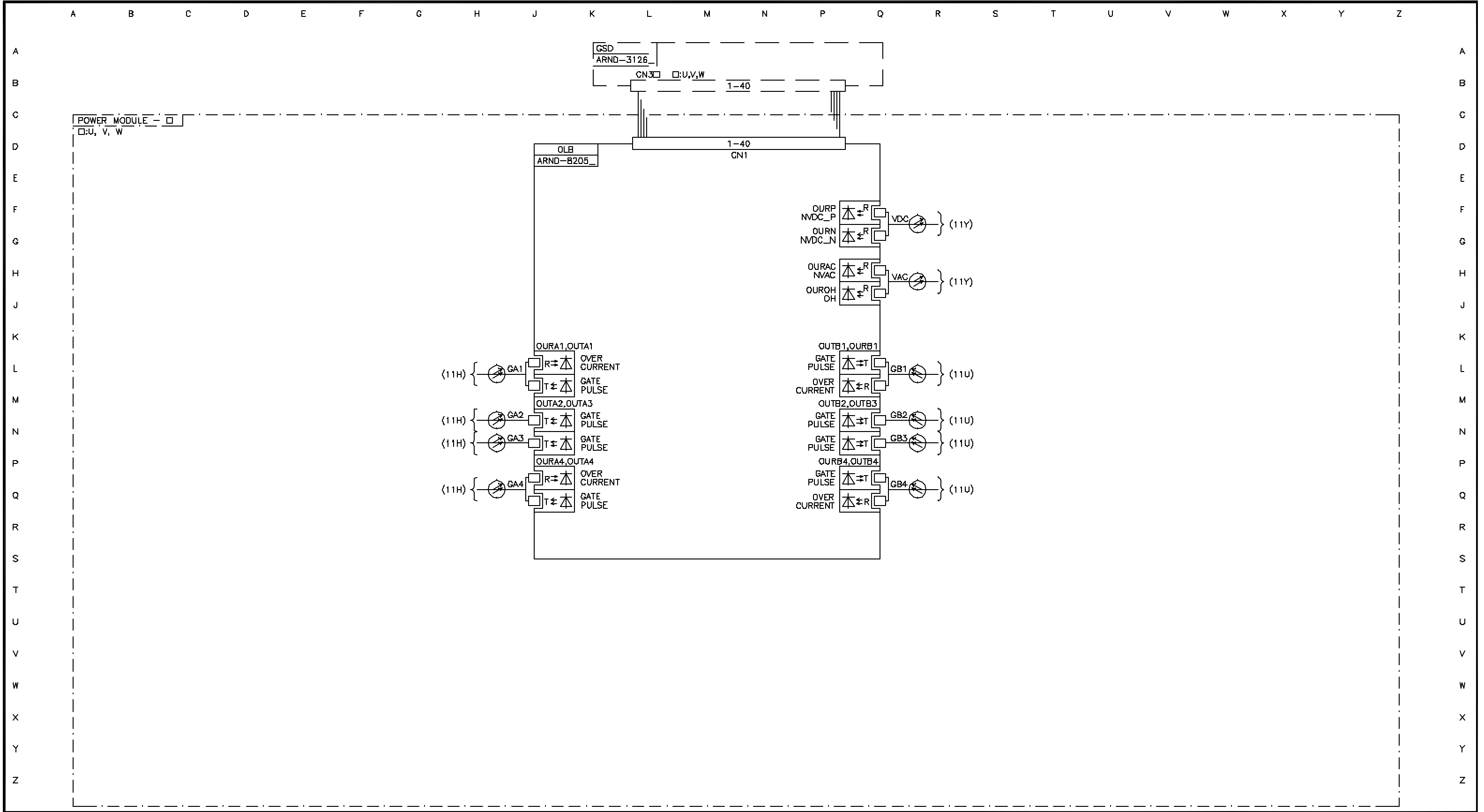
TITLE:  
 MAIN CIRCUIT  
 POWER MODULE, FRAME 0, 4160V

PRODUCT:  
 TOSVERT-300MV

REVISION: 0  
 SCALE: NTS

FILE NAME:

ITEM NUMBER: 1808D511



4					
3					
2					
1					
D	01/23/04	FIRST ISSUE	TAW		
REV	DATE	DESCRIPTION	BY	CHK	APPR

**TOSHIBA**  
**TOSHIBA INTERNATIONAL CORPORATION**  
 MADE IN HOUSTON, TEXAS U.S.A.

THIS MATERIAL IS THE EXCLUSIVE PROPERTY OF TOSHIBA INTERNATIONAL CORPORATION AND SHALL NOT BE REPRODUCED, USED, OR DISCLOSED TO OTHERS UNLESS PRIOR WRITTEN AUTHORIZATION IS OBTAINED.

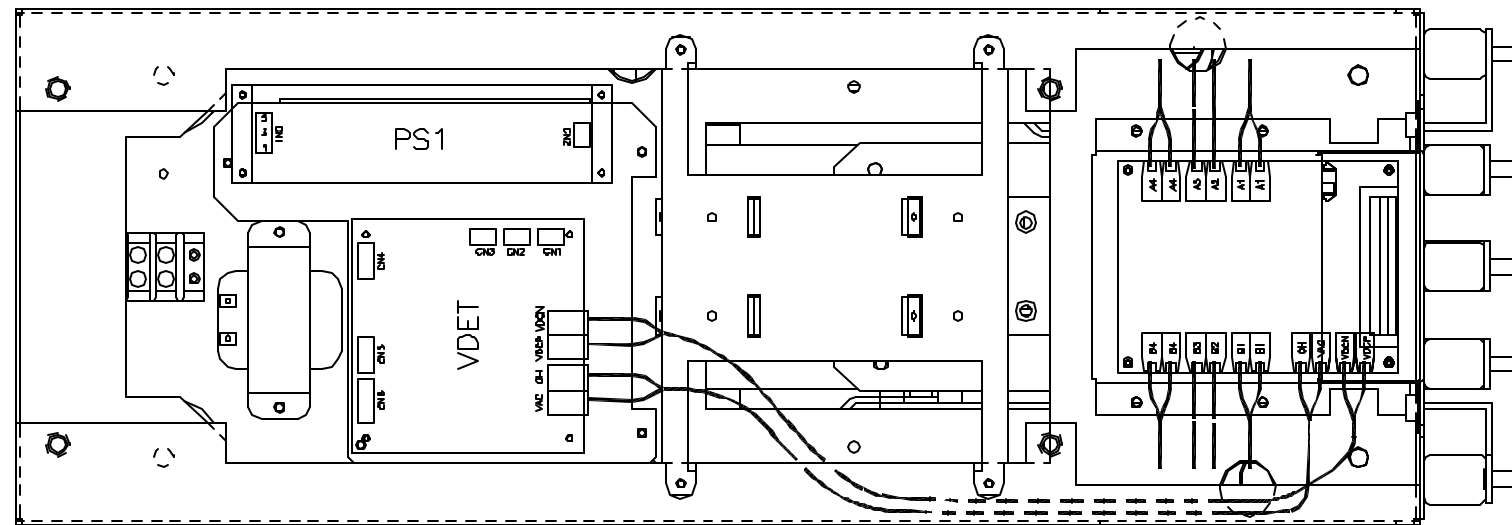
TITLE:  
 OPTICAL INTERFACE  
 POWER MODULE, FRAME 0, 4160V

PRODUCT:  
 TOSVERT-300MV

REVISION: 0      SCALE: NTS

FILE NAME:

ITEM NUMBER:  
 1808D515



BOTTOM VIEW

4					
3					
2					
1					
0	04/30/02	FIRST ISSUE	CJH		
REV	DATE	DESCRIPTION	BY	CHK	APPR

**TOSHIBA**  
**TOSHIBA INTERNATIONAL CORPORATION**  
 MADE IN HOUSTON, TEXAS U.S.A.

THIS MATERIAL IS THE EXCLUSIVE PROPERTY OF TOSHIBA INTERNATIONAL CORPORATION AND SHALL NOT BE REPRODUCED, USED, OR DISCLOSED TO OTHERS UNLESS PRIOR WRITTEN AUTHORIZATION IS OBTAINED.

TITLE:  
 WIRING DIAGRAM, FIBER, BOTTOM  
 POWER MODULE, FRAME 0, 4160V

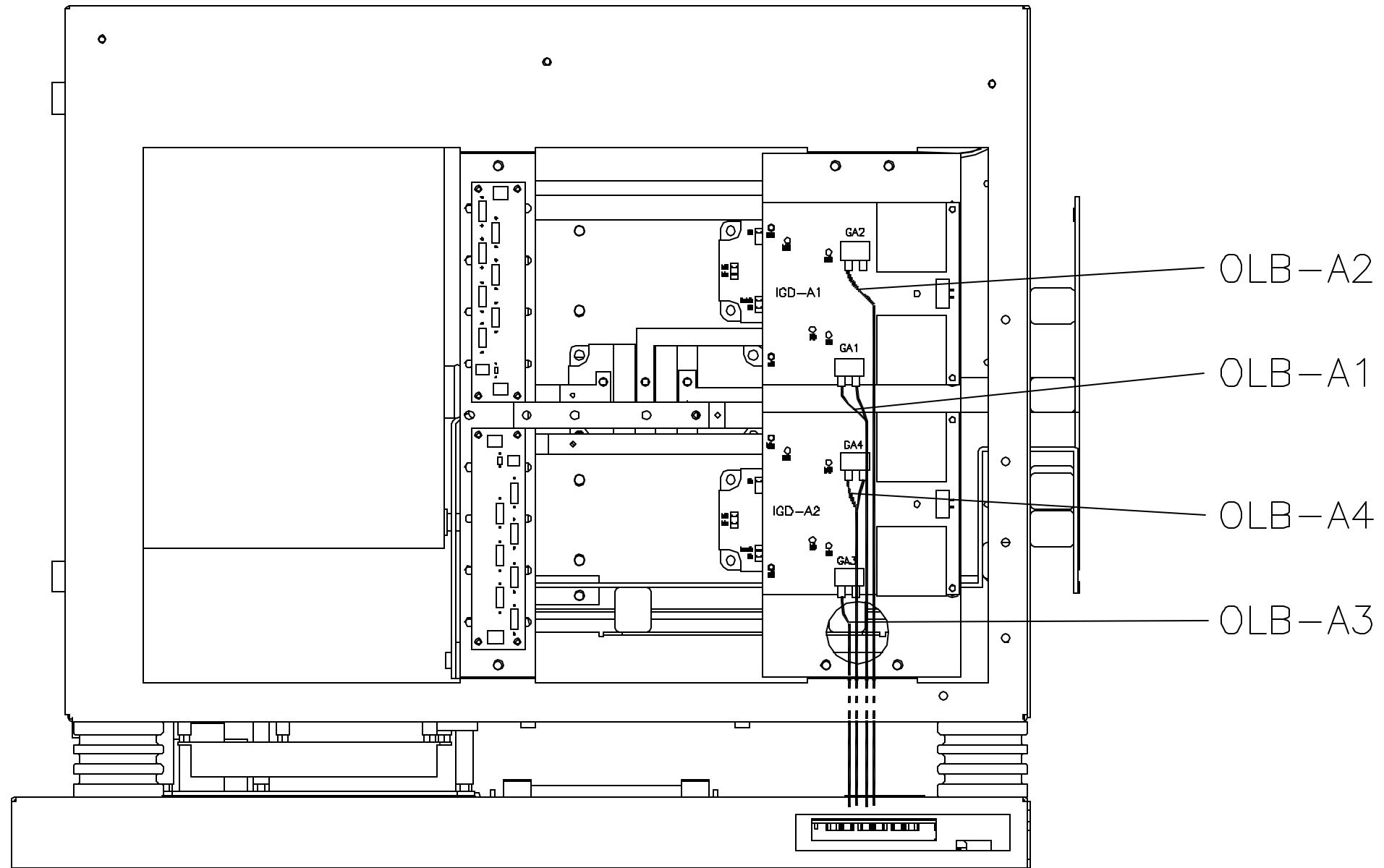
PRODUCT:  
 TOSVERT-300MV

REVISION:  
 0

SCALE:  
 1.0=4.0

FILE NAME:

ITEM NUMBER:  
 I908D521



LEFT VIEW

4					
3					
2					
1					
0	06/03/03	FIRST ISSUE	CJH		
REV	DATE	DESCRIPTION	BY	CHK	APPR

**TOSHIBA**  
**TOSHIBA INTERNATIONAL CORPORATION**  
 MADE IN HOUSTON, TEXAS U.S.A.

THIS MATERIAL IS THE EXCLUSIVE PROPERTY OF TOSHIBA INTERNATIONAL CORPORATION AND SHALL NOT BE REPRODUCED, USED, OR DISCLOSED TO OTHERS UNLESS PRIOR WRITTEN AUTHORIZATION IS OBTAINED.

TITLE:  
 WIRING DIAGRAM, FIBER, LEFT  
 POWER MODULE, FRAME 0, 4160V

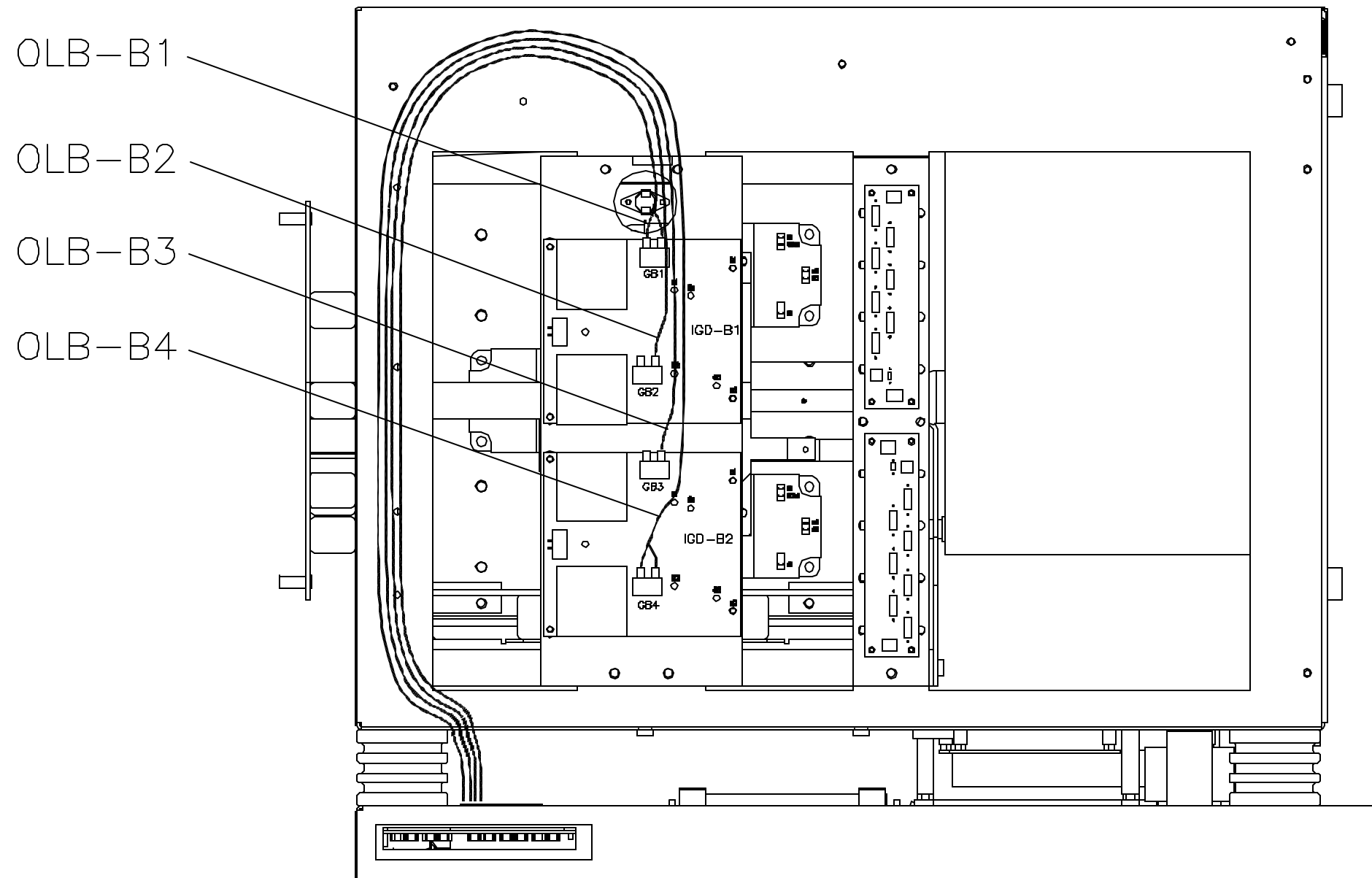
PRODUCT:  
 TOSVERT-300MV

REVISION:  
 0

SCALE:  
 1.0=4.0

FILE NAME:

ITEM NUMBER:  
 I908D522



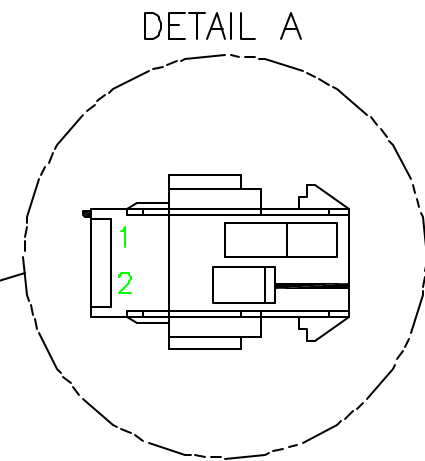
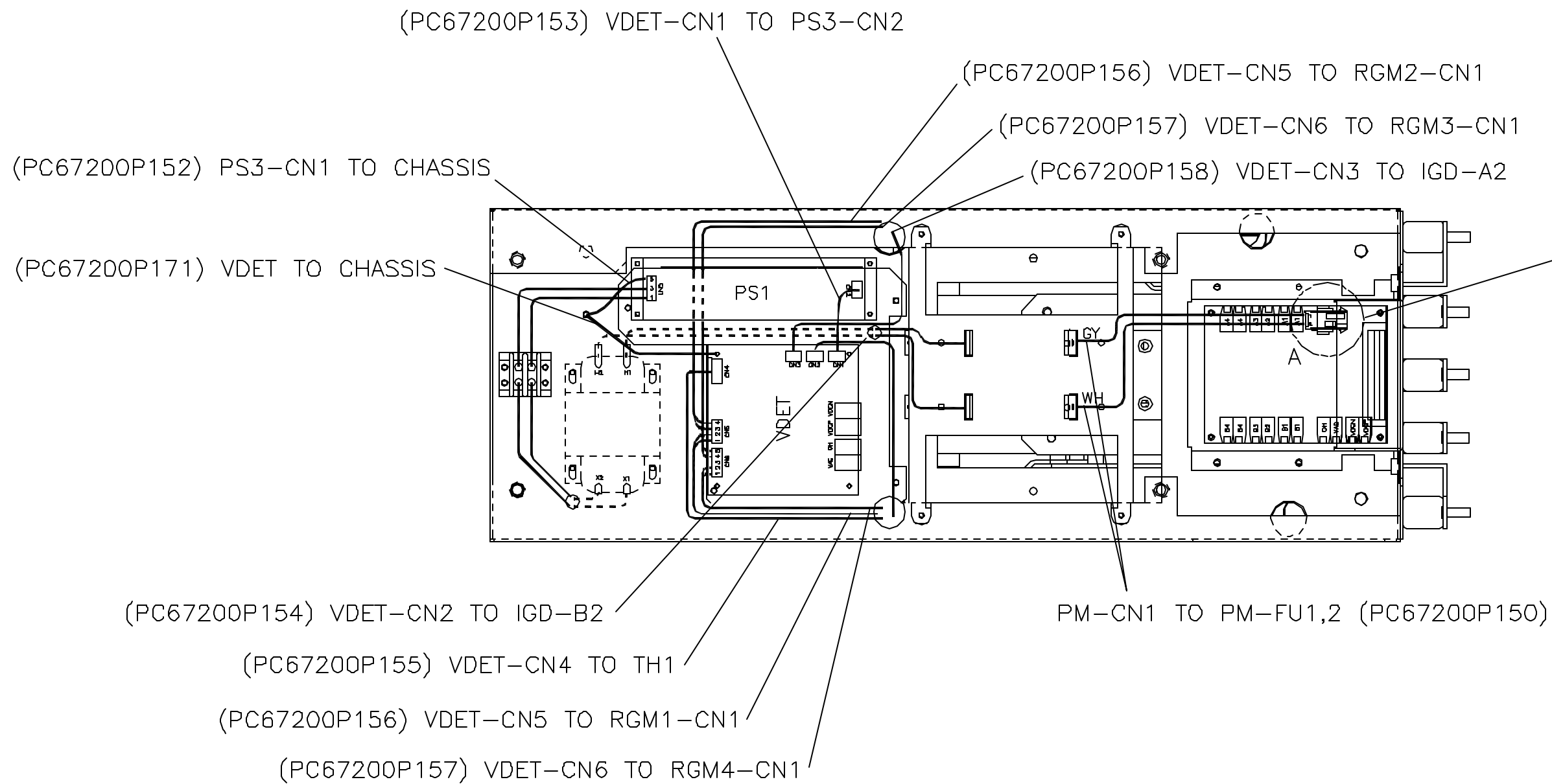
RIGHT VIEW

4					
3					
2					
1					
0	06/03/03	FIRST ISSUE	CJH		
REV	DATE	DESCRIPTION	BY	CHK	APPR

**TOSHIBA**  
**TOSHIBA INTERNATIONAL CORPORATION**  
 MADE IN HOUSTON, TEXAS U.S.A.  
 THIS MATERIAL IS THE EXCLUSIVE PROPERTY OF  
 TOSHIBA INTERNATIONAL CORPORATION AND SHALL  
 NOT BE REPRODUCED, USED, OR DISCLOSED TO OTHERS  
 UNLESS PRIOR WRITTEN AUTHORIZATION IS OBTAINED.

TITLE:  
 WIRING DIAGRAM, FIBER, RIGHT  
 POWER MODULE, FRAME 0, 4160V  
 PRODUCT:  
 TOSVERT-300MV

REVISION:  
 0  
 SCALE:  
 1.0=4.0  
 FILE NAME:  
 ITEM NUMBER:  
 1908D523



BOTTOM VIEW

4					
3					
2					
1					
0	12/10/02	FIRST ISSUE	CJH		
REV	DATE	DESCRIPTION	BY	CHK	APPR

**TOSHIBA**  
TOSHIBA INTERNATIONAL CORPORATION  
MADE IN HOUSTON, TEXAS U.S.A.

THIS MATERIAL IS THE EXCLUSIVE PROPERTY OF TOSHIBA INTERNATIONAL CORPORATION AND SHALL NOT BE REPRODUCED, USED, OR DISCLOSED TO OTHERS UNLESS PRIOR WRITTEN AUTHORIZATION IS OBTAINED.

TITLE:  
WIRING DIAGRAM, ELECTRICAL  
POWER MODULE, FRAME 0, 4160V

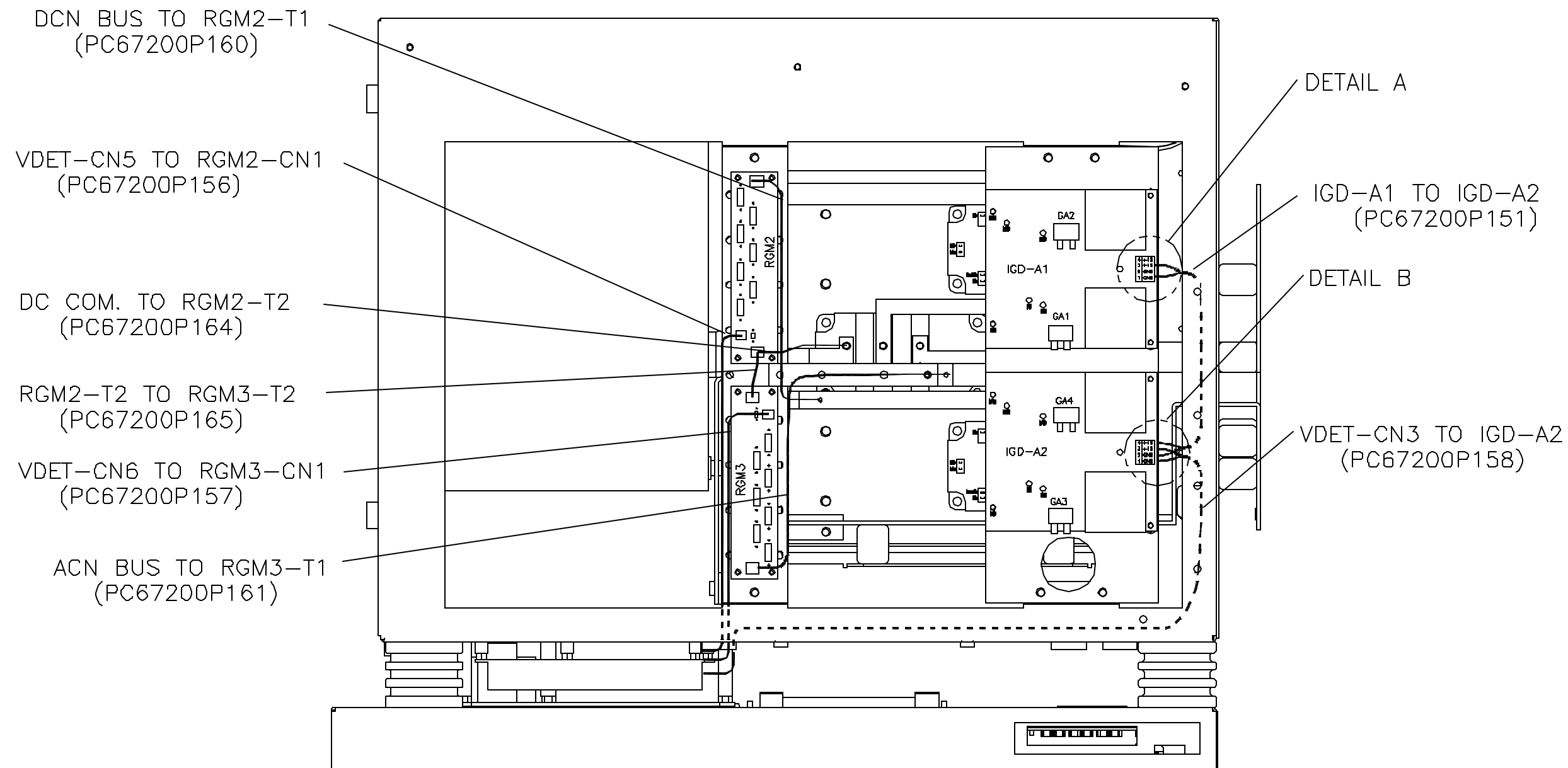
PRODUCT:  
TOSVERT-300MV

REVISION:  
0

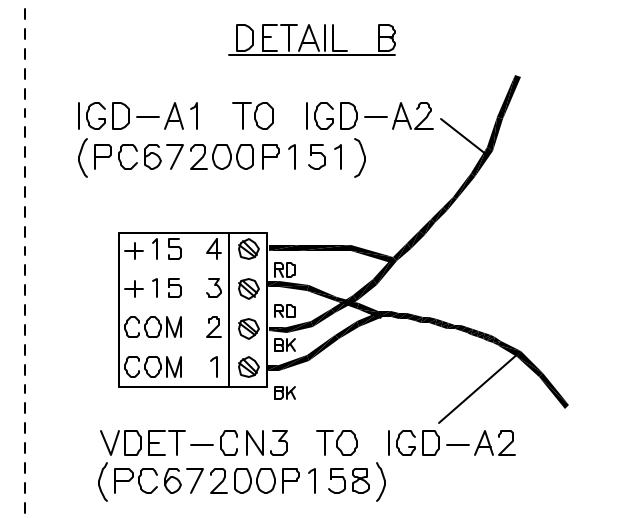
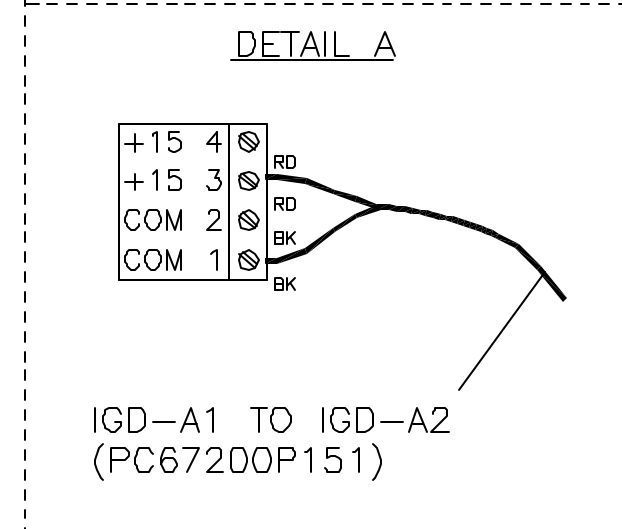
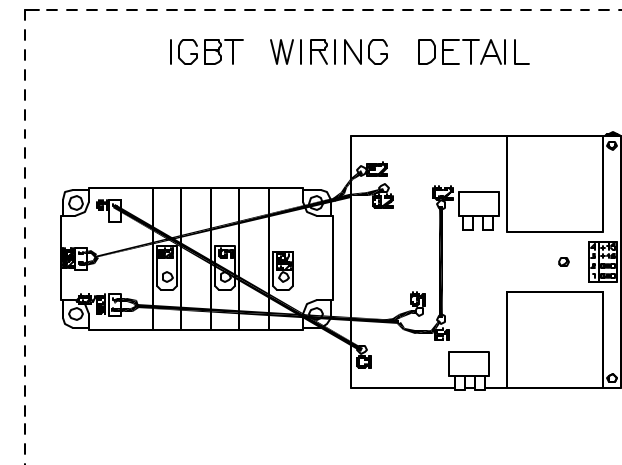
SCALE:  
1.0=4.0

FILE NAME:

ITEM NUMBER:  
1908D527



LEFT VIEW

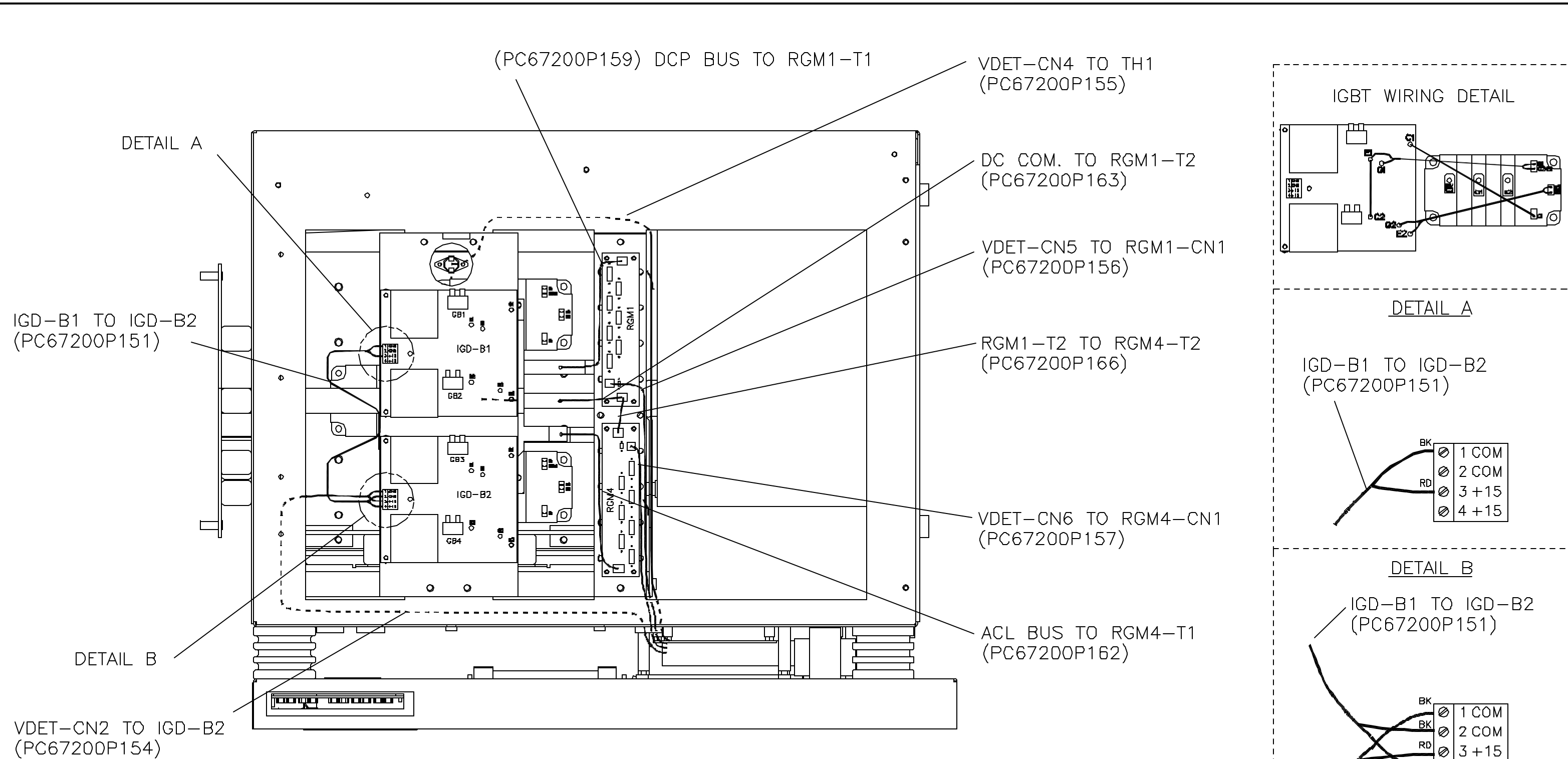


4					
3					
2					
1					
0	10/13/03	FIRST ISSUE	CJH		
REV	DATE	DESCRIPTION	BY	CHK	APPR

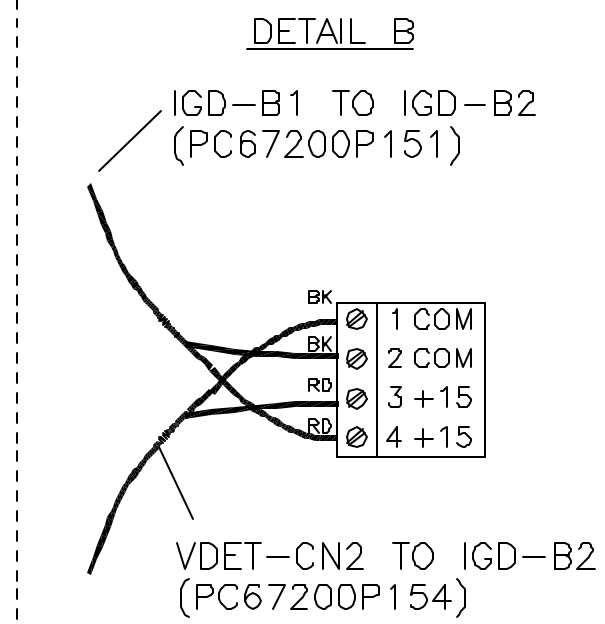
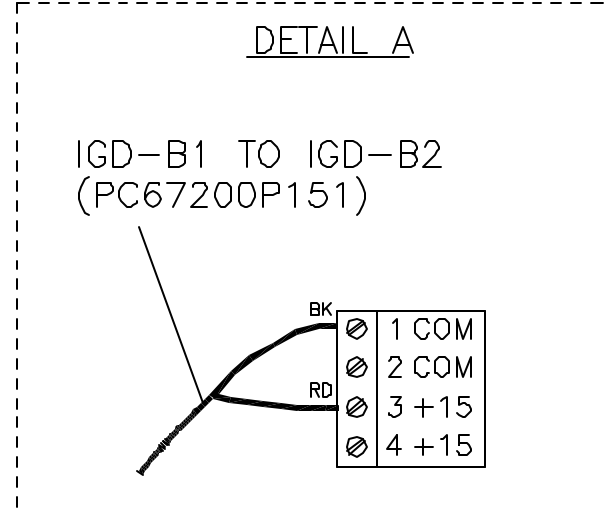
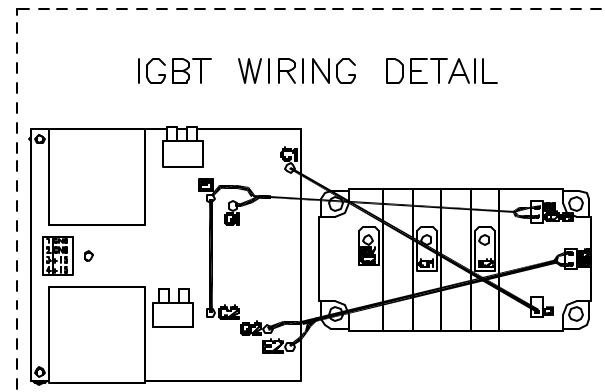
**TOSHIBA**  
**TOSHIBA INTERNATIONAL CORPORATION**  
 MADE IN HOUSTON, TEXAS U.S.A.  
 THIS MATERIAL IS THE EXCLUSIVE PROPERTY OF TOSHIBA INTERNATIONAL CORPORATION AND SHALL NOT BE REPRODUCED, USED, OR DISCLOSED TO OTHERS UNLESS PRIOR WRITTEN AUTHORIZATION IS OBTAINED.

TITLE:  
 WIRING DIAGRAM, ELECTRICAL, LEFT POWER MODULE, FRAME 0, 4160V  
 PRODUCT:  
 TOSVERT-300MV

REVISION:  
 0  
 SCALE:  
 1.0=4.0  
 FILE NAME:  
 ITEM NUMBER:  
 I908D528



RIGHT VIEW



4					
3					
2					
1					
0	06/03/03	FIRST ISSUE	CJH		
REV	DATE	DESCRIPTION	BY	CHK	APPR

**TOSHIBA**  
**TOSHIBA INTERNATIONAL CORPORATION**  
 MADE IN HOUSTON, TEXAS U.S.A.

THIS MATERIAL IS THE EXCLUSIVE PROPERTY OF TOSHIBA INTERNATIONAL CORPORATION AND SHALL NOT BE REPRODUCED, USED, OR DISCLOSED TO OTHERS UNLESS PRIOR WRITTEN AUTHORIZATION IS OBTAINED.

TITLE:  
 WIRING DIAGRAM, ELECTRICAL, RIGHT POWER MODULE, FRAME 0, 4160V

PRODUCT:  
 TOSVERT-300MV

REVISION: 0      SCALE: 1.0=4.0

FILE NAME:

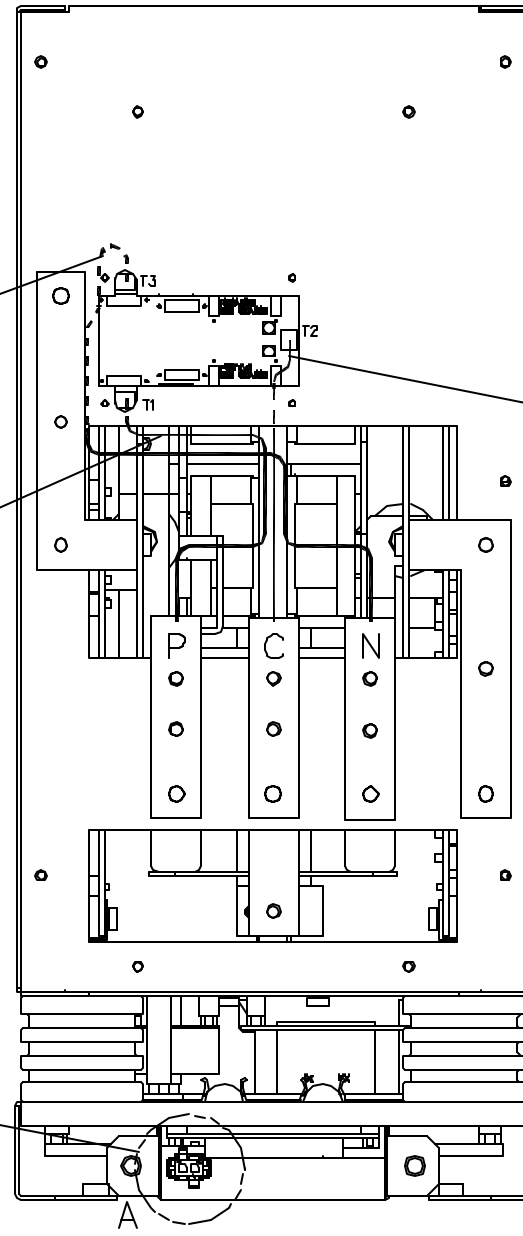
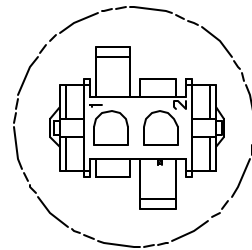
ITEM NUMBER: 1908D529

DCN TO CHD-T3  
PC67200P174

DCP TO CHD-T1  
PC67200P172

DC COM. TO CHD-T2  
PC67200P173

DETAIL A



FRONT VIEW

4					
3					
2					
1					
0	05/31/02	FIRST ISSUE	CJH		
REV	DATE	DESCRIPTION	BY	CHK	APPR

**TOSHIBA**  
TOSHIBA INTERNATIONAL CORPORATION  
MADE IN HOUSTON, TEXAS U.S.A.

THIS MATERIAL IS THE EXCLUSIVE PROPERTY OF TOSHIBA INTERNATIONAL CORPORATION AND SHALL NOT BE REPRODUCED, USED, OR DISCLOSED TO OTHERS UNLESS PRIOR WRITTEN AUTHORIZATION IS OBTAINED.

TITLE:  
WIRING DIAGRAM, ELECTRICAL, FRONT  
POWER MODULE, FRAME 0, 4160V

PRODUCT:  
TOSVERT-300MV

REVISION:  
0

SCALE:  
1.0=4.0

FILE NAME:

ITEM NUMBER:  
1908D530