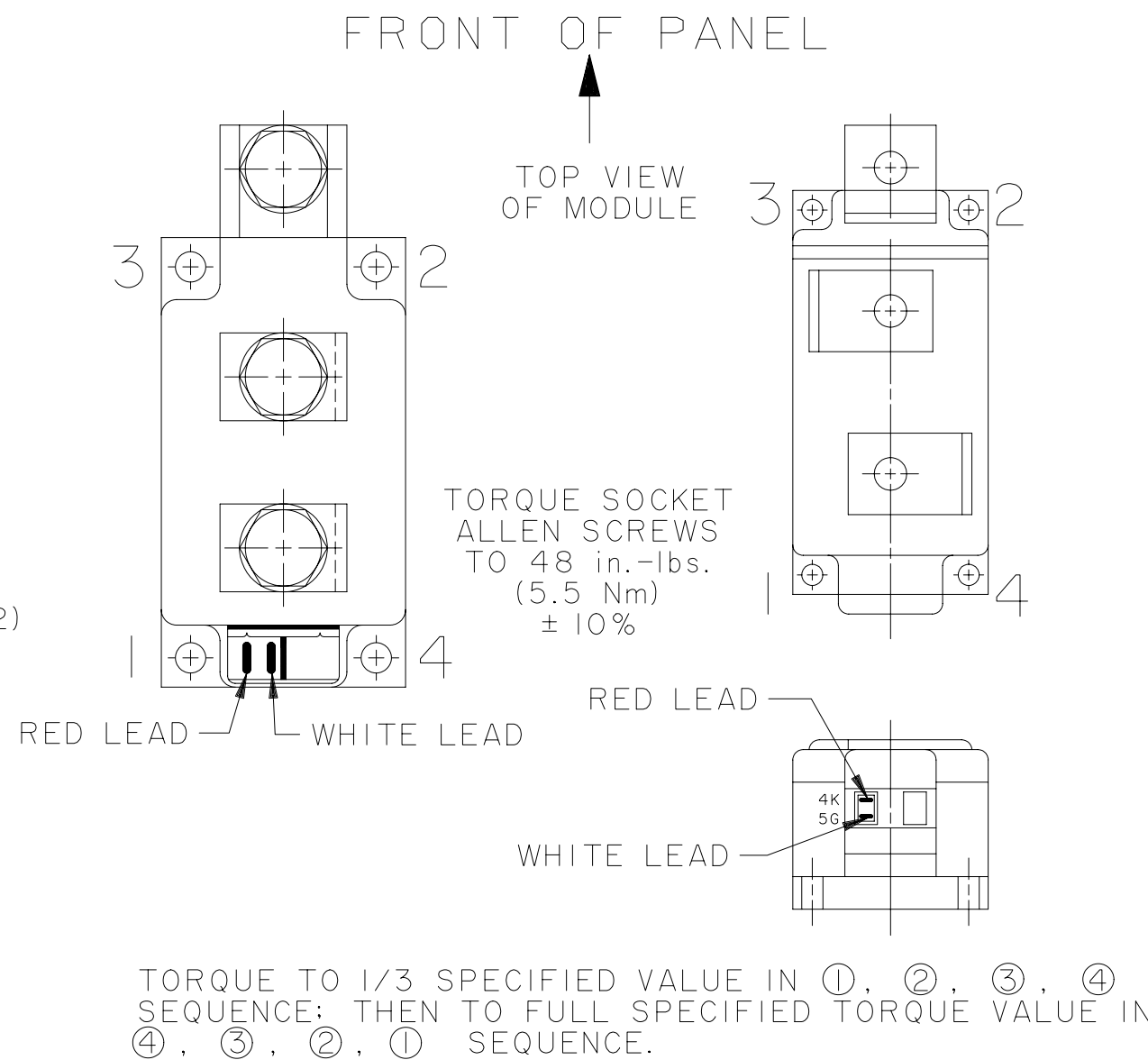


REPLACEMENT - DIODE/SCR MODULE VYPER AND MUSTANG VSD

INSTRUCTIONS:

1. REMOVE POWER FROM THE DISCONNECT SWITCH FEEDING THE CHILLER AND LOCKOUT. WAIT A MINIMUM OF 5 MINUTES BEFORE PROCEEDING.
 2. VERIFY THAT THE BUS IS DISCHARGED AND THERE IS NO VOLTAGE PRESENT.
 3. REMOVE BUS BAR BOLTS AND SUPPRESSOR FROM THE FAILED DIODE/SCR MODULE. PAY ATENTION TO ORIENTATION.
 4. REMOVE AND DISCARD THE 4 SOCKET ALLEN SCREWS FROM THE FAILED DIODE/SCR MODULE AND REMOVE, THEN DISCONNECT GATE LEADS FROM MODULE.
 5. CLEAN SURFACE OF CHILL PLATE WITH RUBBING ALCOHOL. DO NOT LEAVE LINT OR FIBROUS MATERIAL ON CHILL PLATE.
 6. APPLY A THIN EVEN LAYER OF HEAT CONDUCTIVE COMPOUND (ITEM 2) TO THE BOTTOM SURFACE OF DIODE/SCR MODULE USING A ROLLER. USE OF A HUNT SPEEDBALL BRAYER #49P OR EQUAL IS RECOMMENDED.
 7. RECONNECT GATE AND CATHODE LEADS. NOTE THE LOCATION OF THE RED AND WHITE LEADS ON THIS DRAWING.
 8. ATTACH DIODE/SCR MODULE (ITEM 1) TO CHILL PLATE WITH HARDWARE SUPPLIED (ITEM 4).
 9. TORQUE SOCKET ALLEN SCREWS TO 48 in.-lbs. (5.5 Nm) ± 10% IN THE SEQUENCE SHOWN ON THIS DRAWING.
 10. INSTALL BUS BARS, BOLTS, AND SUPPRESSOR TO DIODE/SCR MODULE IN THE SAME ORDER THEY WERE REMOVED.
- II. TORQUE BUS BAR BOLTS TO 88 in.-lbs.(10 Nm) ± 10%.



YORK INTERNATIONAL CORPORATION
YORK, PA. 17405

REV. LEV.	DATE	REVISION RECORD	CHG. NO.	DR.	CK.	*ALL PROPRIETARY RIGHTS IN THE SUBJECT MATTER HEREOF ARE RESERVED, AND NO PERMISSION IS GRANTED TO REPRODUCE THIS PRINT IN WHOLE OR IN PART, OR DISCLOSE ANY OF THE INFORMATION UPON IT TO OTHERS WITHOUT WRITTEN RELEASE BY YORK INTERNATIONAL CORPORATION*.	DIMENSIONS ARE IN INCHES DO NOT SCALE TOLERANCES PER ENG. STD. M-282 WELDING PER ENG. STD. M-30 REF. DWG.	INSTR. DIODE/SCR MODULE REPLACEMENT VYPER AND MUSTANG VSD	MATERIAL TYPE _____ ENG. STD. _____ PART NO. _____ CUT SIZE _____	
D	04-05-05	ADDED ADDITIONAL VIEW OF DIODE FOR 3 COMPR. MUSTANG: REVISED NOTES 3, 4 & 10.	0705 0002	KSR	SVS		NAME DATE DR. J.W.MEDWICK 05-09-01 APPR. H.R.SCHNETZKA05-11-01 SCALE: N.T.S.	SIZE B	CAGE NO 66935	DRAWING NUMBER 035-18133-000
							WT. =	LBS.	ORIG. NO. 035-17102B	SHEET