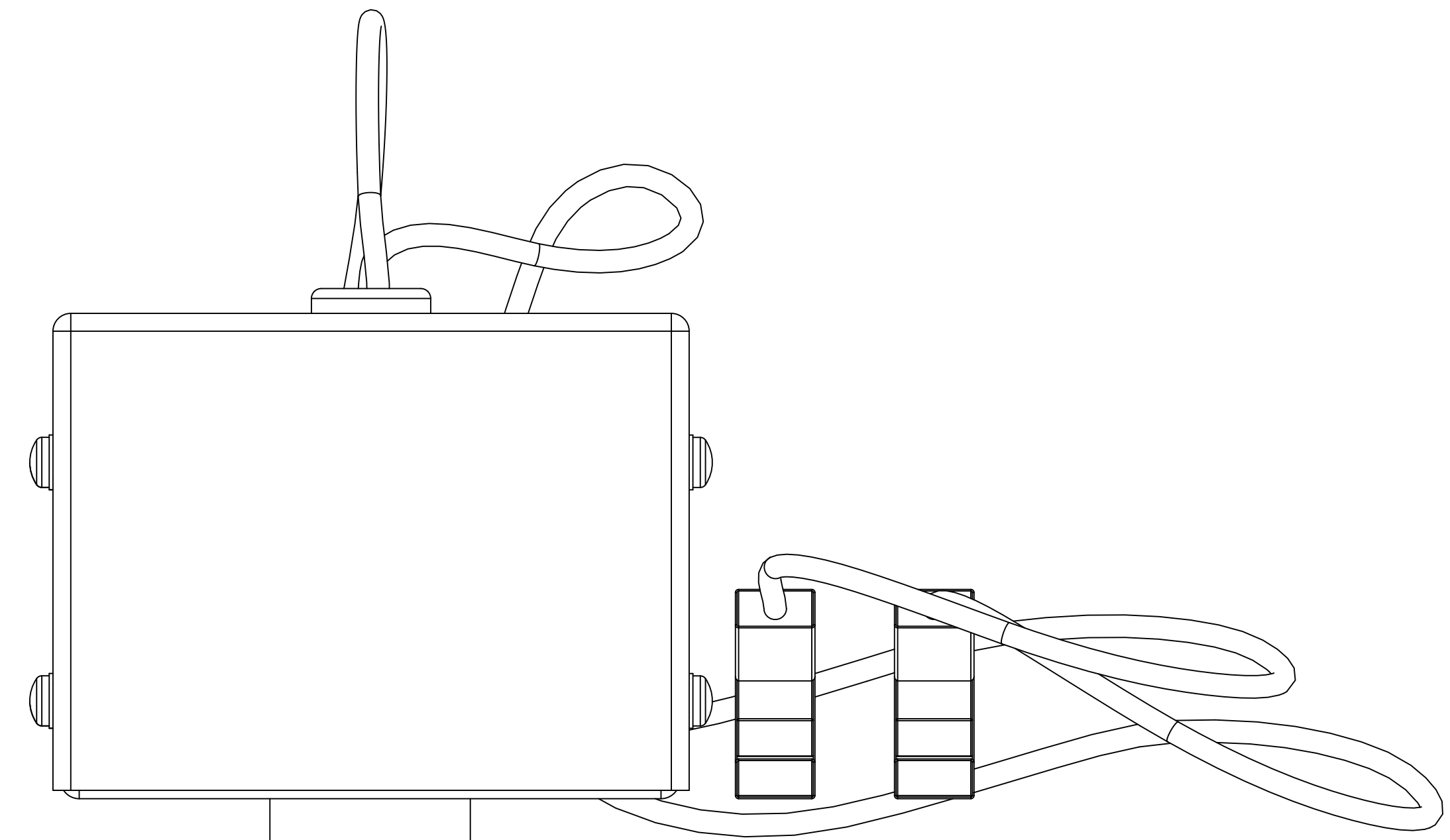
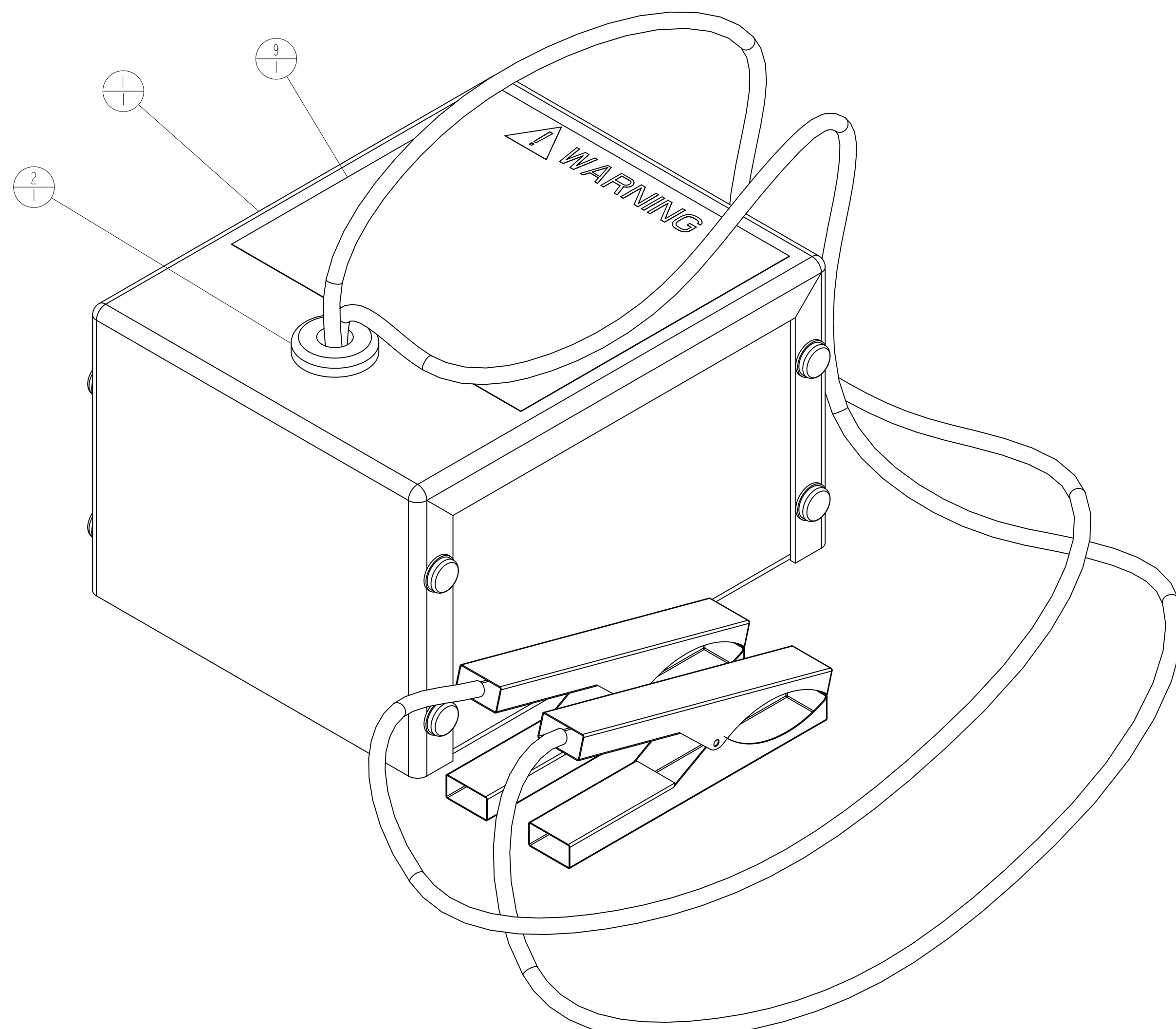


BILL OF MATERIAL FOR 371-06726-000

ITEM	PART NUMBER	QTY	DESCRIPTION
1	371-06726-300	1	ENCLOSURE ASSEMBLY, FIELD SERVICE
2	028-04590-000	1	GROMMET, 5/16 ID X 1/2 OD
3	028-15299-000	4	THERMAL PAD, RESISTOR, INSULATOR 3/4 W X 3-3/4 L
4	025-35955-000	4	RESISTOR, POWER WIREWOUND, 3K Ohm
5	021-30166-000	8	NUT/WASHER ASSEMBLY (KEPS), M4 X 0.7 PITCH
6	571-06726-221	2	WIRING HIGH FREQ VOLTAGE CURRENT DISCHARGE
7	571-06726-222	2	WIRING HIGH FREQ VOLTAGE CURRENT DISCHARGE
8	025-18167-000	1	STRAP, CABLE
9	035-24433-000	1	LABEL, INSTRUCTIONS



THIRD ANGLE

**YORK INTERNATIONAL** YORK, PA 17405

YORK INTERNATIONAL CORPORATION

YORK, PA 17405

ALL PROPRIETARY RIGHTS IN THE SUBJECT MATTER HEREOF ARE RESERVED AND NO PERMISSION IS GRANTED TO REPRODUCE THIS PRINT IN WHOLE OR IN ANY PART, OR DISCLOSE ANY OF THE INFORMATION UPON IT TO OTHERS WITHOUT WRITTEN RELEASE BY YORK INTERNATIONAL CORPORATION.

DIMENSIONS ARE IN INCHES  
DO NOT SCALE  
TOLERANCES PER ENG. STD. M-282

CAPACITOR VOLTAGE, DISCHARGE UNIT BOX, FIELD SERVICE

MATERIAL ENG. STD. R-21  
PART NO.  
CUT SIZE

REVISION

REV.	DATE	EC. NO.	DR.	CHK.	ENG.
1		0714-0040			
NEW					

CONTINUED

DRAWN D.L. RENCHER 14-MAY-2014  
MODELER D.L. RENCHER 14-MAY-2014  
CHKD M. TODD 14-MAY-2014  
ENG

SCALE: 1.250 WEIGHT: 3.997 ORIG. NO.:

CAGE NUMBER 66935 DRAWING NUMBER 071-06726-000 REVISION 1

SHEET 1 OF 1

Version 0 Concept