

POWER ASSY ELEMENTARY

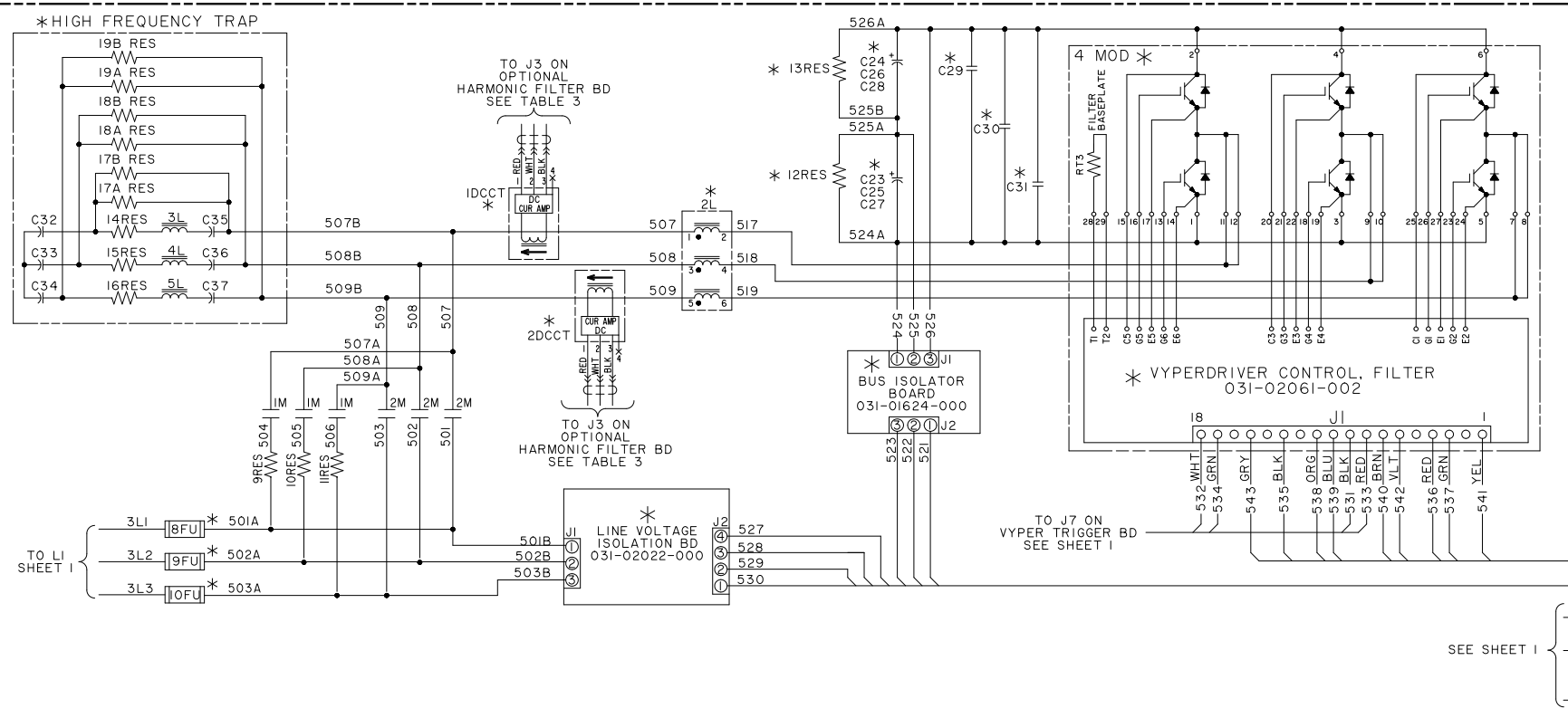
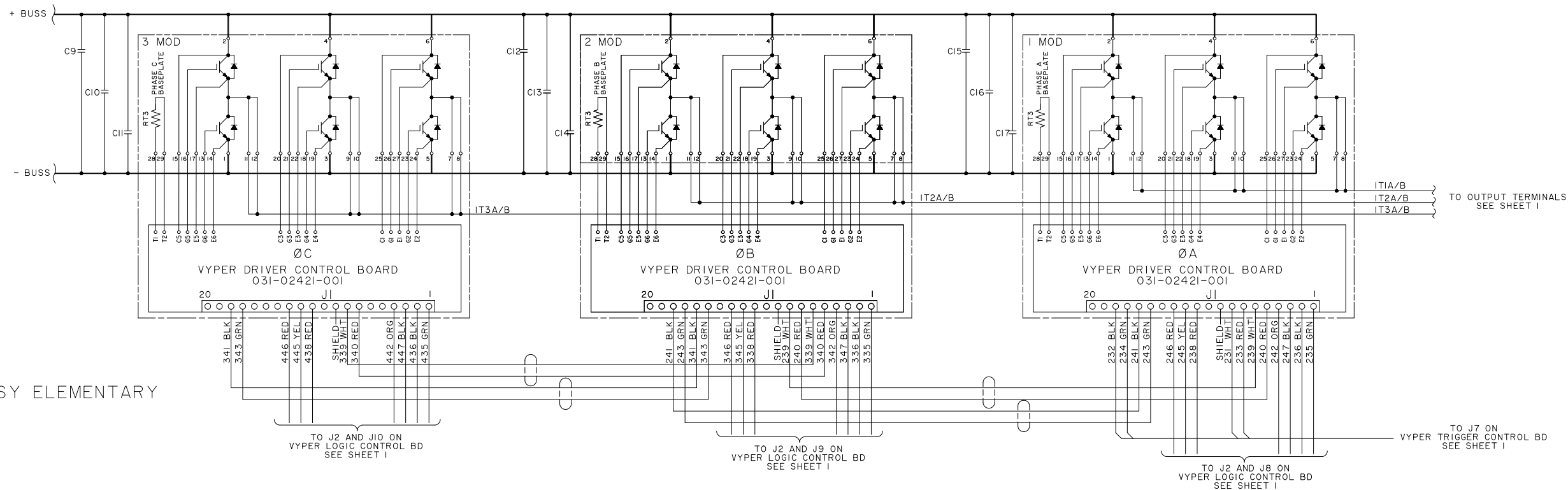


TABLE 4
OPTIONAL HARMONIC FILTER LOGIC BOARD - J3 PINOUT

CONNECTOR PIN	IDENTIFIER	DESTINATION
1	552	TO 6T-X2 - OPTION
2	551	TO 6T-X1 - OPTION
3	554	TO 7T-X2 - OPTION
4	553	TO 7T-X1 - OPTION
5	WHITE	TO IDCCT - OPTION
6	RED	TO IDCCT - OPTION
7	BLK	TO IDCCT - OPTION
8	JUMPER	TO J3 PIN 9
9	JUMPER	TO J3 PIN 8
10	RED	TO 2DCCT - OPTION
11	BLK	TO 2DCCT - OPTION
12	WHITE	TO 2DCCT - OPTION

*COMPONENTS SUPPLIED ONLY WITH HARMONIC FILTER OPTION

YORK INTERNATIONAL CORPORATION
YORK, PA. 17405

DIMENSIONS ARE IN INCHES DO NOT SCALE TOLERANCES PER ENG. STD. M-282 WELDING PER ENG. STD. M-30 REF. DWG.			LABEL WIRING ELEMENTARY VYPER DRIVE 503 HP. V.S.D.		MATERIAL	
NAME DR. K.S. ROGERS	DATE 09-17-02	SIZE D	CAGE NO. 66935	DRAWING NUMBER 035-18685-000		
APPR. S. SLOTHOWER	12-06-02	WT. =	LBS.	ORIG. NO.	SHEET 2 OF 3	

CK.200.10.LABEL.WIRING.035-18685.SHT2

REV. LEV.	DATE	REVISION RECORD	CHG. NO.	DR.	CK.	REV. LEV.	DATE	REVISION RECORD	CHG. NO.	DR.	CK.	REV. LEV.	DATE	REVISION RECORD	CHG. NO.	DR.	CK.
-	NEW		0702														
A	01-13-05	REVISED HIGH FREQUENCY TRAP WIRING AT B-8.	0705	CBH	MST												
B	04-25-05	SEE SHEET I FOR REVISION.	0703	CBH	MST												
C	10-18-06	ADDED SECOND J8 TO FILTER BD TO INCLUDE MODBUS: ADDED RESISTORS IN HIGH FREQUENCY TRAP.	0706	KSR	MST												
D	10-26-07	AT B-2/3 HARMONIC FILTER LOGIC CONTROL WAS 031-01632-042.	0707	CBH	MWM												