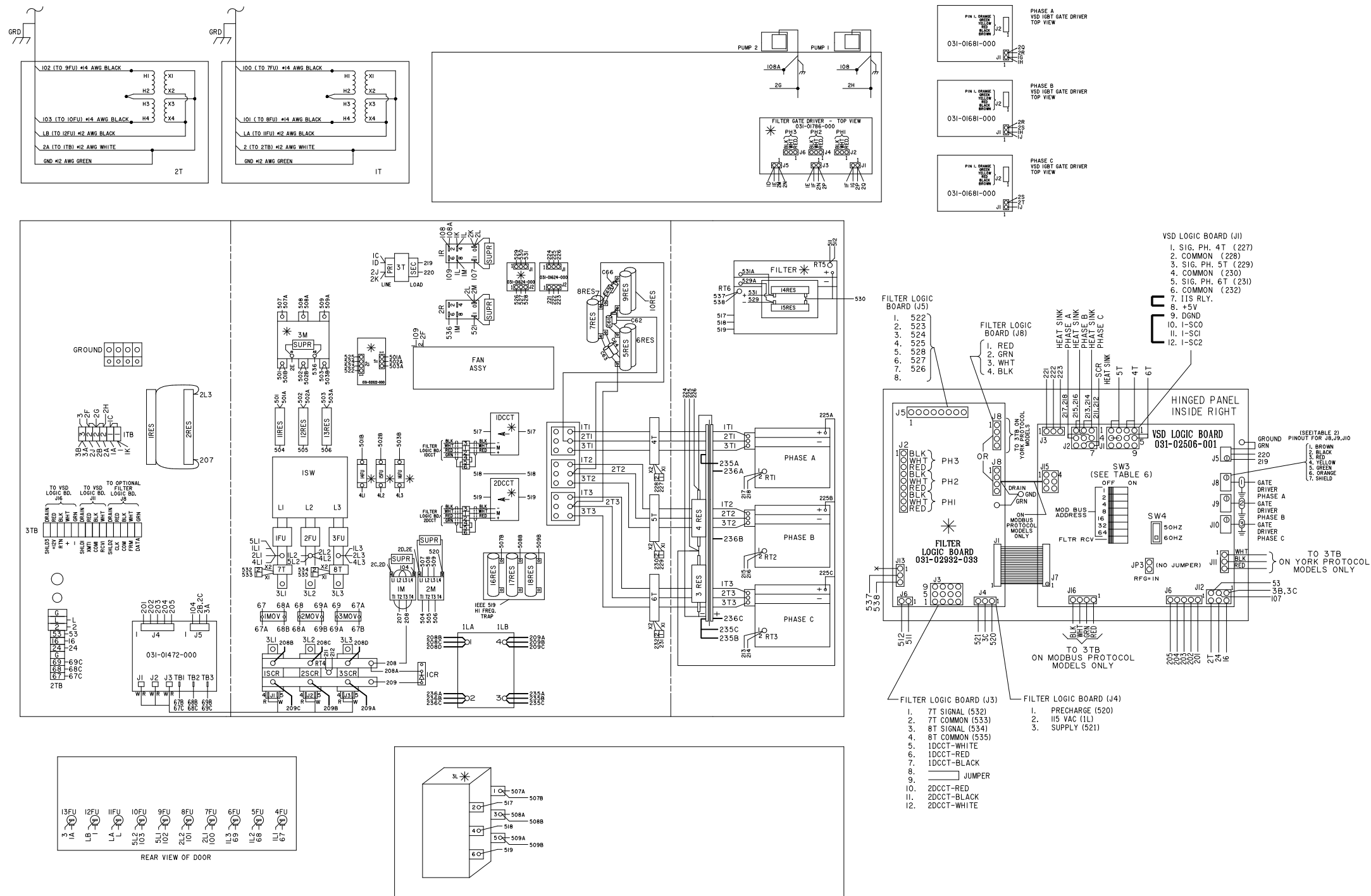


CONNECTION DIAGRAM

035-16264-000
SHEET 2 OF 2
REV. F



* SUPPLIED WITH 519 FILTER OPTION

REV. LEV.	DATE	REVISION RECORD	CHG. NO.	DR.	CK.	REV. LEV.	DATE	REVISION RECORD	CHG. NO.	DR.	CK.	REV. LEV.	DATE	REVISION RECORD	CHG. NO.	DR.	CK.
-		NEW	0798														
A	03-28-00	SEE SHEET 1 FOR REVISIONS. REV A WAS REV - AT H-1.	0799	JWM	ARD												
B	08-28-06	SEE SHEET 1 FOR REVISIONS.	0799	KSR	MST												
C	04-26-06	CHANGED VSD LOGIC BD. AND ADDED TERMINALS TO 3TB TO INCLUDE MODBUS.	0799	KSR	MST												
D	02-07-07	FILTER LOGIC BD. P/N WAS 031-01632-033 AT D-3. ADDED GRN WIRE AT E-3.	0799	CBH	MMW												
E	01-26-09	SWITCHED TERMINALS 537 & 538 AT D-3.	0799	KFS	MST												

YORK INTERNATIONAL CORPORATION
YORK, PA. 17405

DIMENSIONS ARE IN INCHES DO NOT SCALE TOLERANCES PER ENG. STD. M-282 WELDING PER ENG. STD. M-30 REF. DWG.		LABEL. WIRING DIAGRAM 790 HP. V.S.D. STYLE D	MATERIAL ENG. STD. PART NO. CUT SIZE
NAME DR. J.W. MEDWICK APPR. H.S. SCHNEITZA SCALE: N.T.S.	DATE 02-10-99 03-10-99	SIZE E	CAGE NO 66935
DRAWING NUMBER 035-16264-000		SHEET 2 OF 2	