



General Service Bulletin

CenTraVac™ Chiller Shroud Plate Screw Change Product Code: 0347 (CDHF, CDHG, CVHE, CVHF, CVHG)

ATTENTION: Warnings, Cautions, and Notices appear at appropriate sections throughout this literature. Read these carefully:

⚠ WARNING Indicates a potentially hazardous situation which, if not avoided, could result in death or serious injury.

⚠ CAUTION Indicates a potentially hazardous situation which, if not avoided, could result in minor or moderate injury. It could also be used to alert against unsafe practices.

NOTICE: Indicates a situation that could result in equipment or property-damage only accidents.

⚠ SAFETY WARNING

Only qualified personnel should install and service the equipment. The installation, starting up, and servicing of heating, ventilating, and air-conditioning equipment can be hazardous and requires specific knowledge and training. Improperly installed, adjusted or altered equipment by an unqualified person could result in death or serious injury. When working on the equipment, observe all precautions in the literature and on the tags, stickers, and labels that are attached to the equipment.

⚠ WARNING

Proper Field Wiring and Grounding Required!

Failure to follow code could result in death or serious injury. All field wiring **MUST** be performed by qualified personnel. Improperly installed and grounded field wiring poses **FIRE** and **ELECTROCUTION** hazards. To avoid these hazards, you **MUST** follow requirements for field wiring installation and grounding as described in NEC and your local/state electrical codes.

⚠ WARNING

Personal Protective Equipment (PPE) Required!

Installing/servicing this unit could result in exposure to electrical, mechanical and chemical hazards.

- Before installing/servicing this unit, technicians **MUST** put on all PPE required for the work being undertaken (Examples; cut resistant gloves/sleeves, butyl gloves, safety glasses, hard hat/bump cap, fall protection, electrical PPE and arc flash clothing). **ALWAYS** refer to appropriate Material Safety Data Sheets (MSDS)/Safety Data Sheets (SDS) and OSHA guidelines for proper PPE.
- When working with or around hazardous chemicals, **ALWAYS** refer to the appropriate MSDS/SDS and OSHA/GHS (Global Harmonized System of Classification and Labelling of Chemicals) guidelines for information on allowable personal exposure levels, proper respiratory protection and handling instructions.
- If there is a risk of energized electrical contact, arc, or flash, technicians **MUST** put on all PPE in accordance with OSHA, NFPA 70E, or other country-specific requirements for arc flash protection, **PRIOR** to servicing the unit. **NEVER PERFORM ANY SWITCHING, DISCONNECTING, OR VOLTAGE TESTING WITHOUT PROPER ELECTRICAL PPE AND ARC FLASH CLOTHING. ENSURE ELECTRICAL METERS AND EQUIPMENT ARE PROPERLY RATED FOR INTENDED VOLTAGE.**

Failure to follow instructions could result in death or serious injury.

Copyright

This document and the information in it are the property of Trane, and may not be used or reproduced in whole or in part without written permission. Trane reserves the right to revise this publication at any time, and to make changes to its content without obligation to notify any person of such revision or change.

Trademarks

All trademarks referenced in this document are the trademarks of their respective owners.

Revision History

CTV-SVB077B-EN (12 Aug 2014)

- Correction: T-27 Torx replacement bit is TOL04089

Introduction

The purpose of this general service bulletin is to inform the field of reports that the shroud plates on some older CenTraVac™ chillers do not have a deep enough countersink to allow new Torx® screw heads to seat flush or below the plate.

This is an informational general service bulletin.

The action described in this general service bulletin is **NOT** being taken to address a safety concern.

Affected Units

CDHF, CDHG, CVHE, CVHF, and CVHG CenTraVac™ chiller compressors manufactured prior to 2009 may be affected.

Discussion

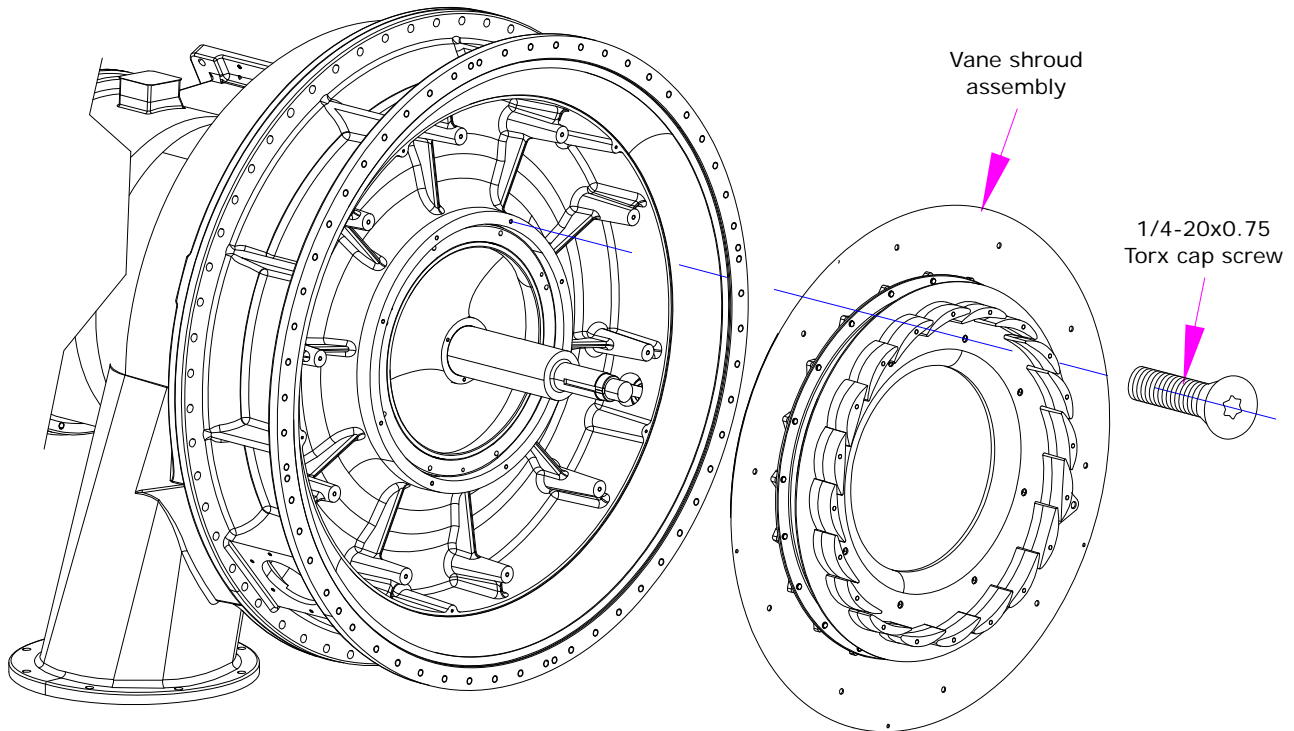
In 2009, CenTraVac™ chiller production changed to a T-27 Torx® 1/4-20x0.75 flat head Nylok® cap screw for retaining the shroud plates on CDHF, CDHG, CVHE, CVHF, and CVHG CenTraVac chiller compressors, including the second and third stage vane shroud assembly. This screw replaces the Allen flathead design used before the change (see [Figure 1, p. 3](#)).

The new Torx screws should be backward-compatible with CDHF, CDHG, CVHE, CVHF, and CVHG CenTraVac chiller compressors. However, there have been reports that the shroud plates on some of the older machines do not have a deep enough countersink to allow the new Torx screw heads to seat flush or below the plate.

If this is the case, the shroud plate will need to have the holes countersunk deeper with an 82° countersink bit to allow use of the new Torx fastener. The head of the screw must be *at or below the surface* of the shroud plate. Countersink bits are available from McMaster-Carr in the 82° size for the 1/4-inch holes. Local machine shop suppliers should also have these tools available for purchase.

Be sure to use a T-27 Torx replacement bit (Trane part number TOL04089) to tighten the screws. Torque the second/third stage vane shroud assembly screws to 48–52 in-lb and verify the heads of the screws seat flush or below the surface of the vane shroud assembly. (Refer to [Figure 1, p. 3](#).)

Figure 1.



1. Verify that vane shroud assembly is seated in counter bore.
2. Fasten vane shroud assembly to casing and tighten screws to 48–52 in-lb with T-27 Torx replacement bit (TOL04089).
3. Screw heads flush or below surface of vane shroud assembly.

Questions

Contact CenTraVac™ Technical Service with questions regarding this general service bulletin. To contact them, send a message to TechService@trane.com.



Trane optimizes the performance of homes and buildings around the world. A business of Ingersoll Rand, the leader in creating and sustaining safe, comfortable and energy efficient environments, Trane offers a broad portfolio of advanced controls and HVAC systems, comprehensive building services, and parts. For more information, visit www.Trane.com.

Trane has a policy of continuous product and product data improvement and reserves the right to change design and specifications without notice.