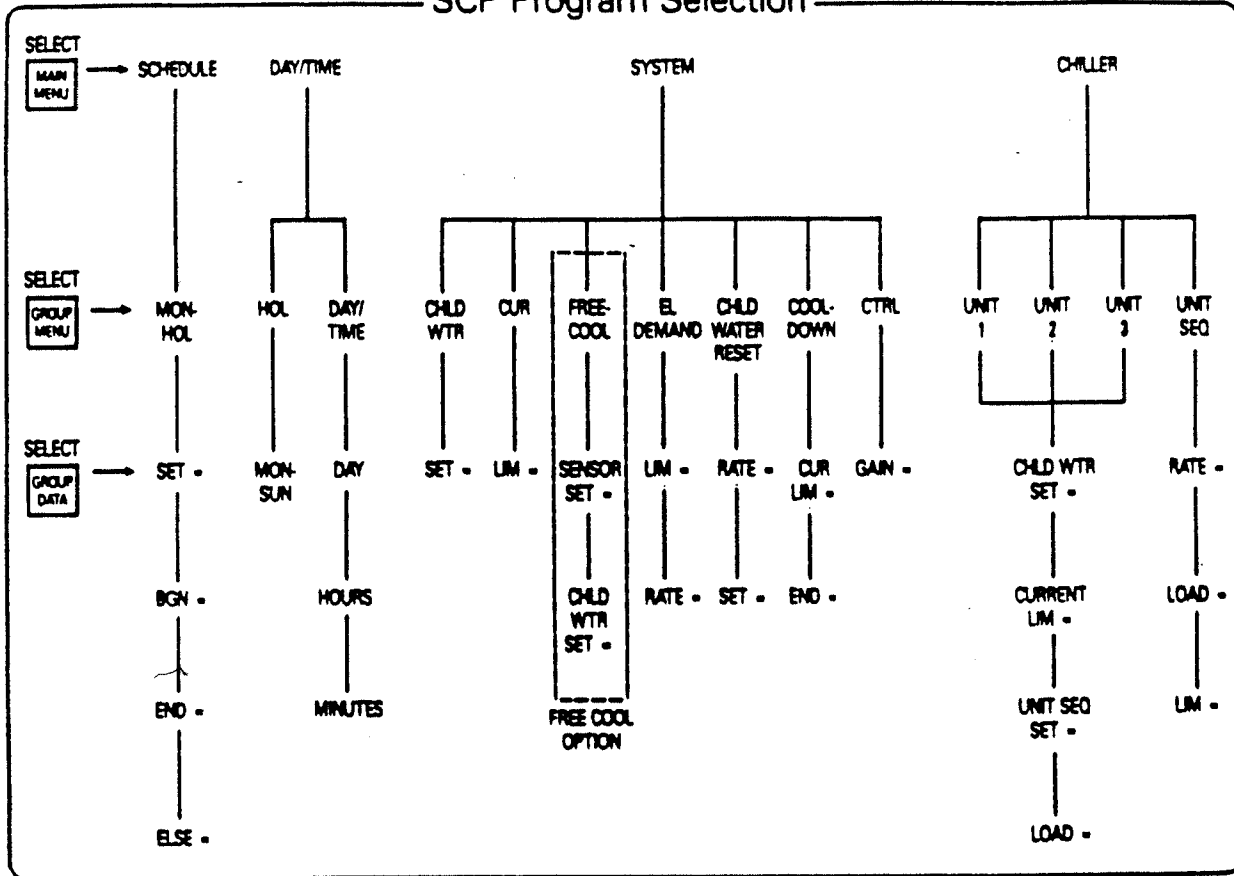
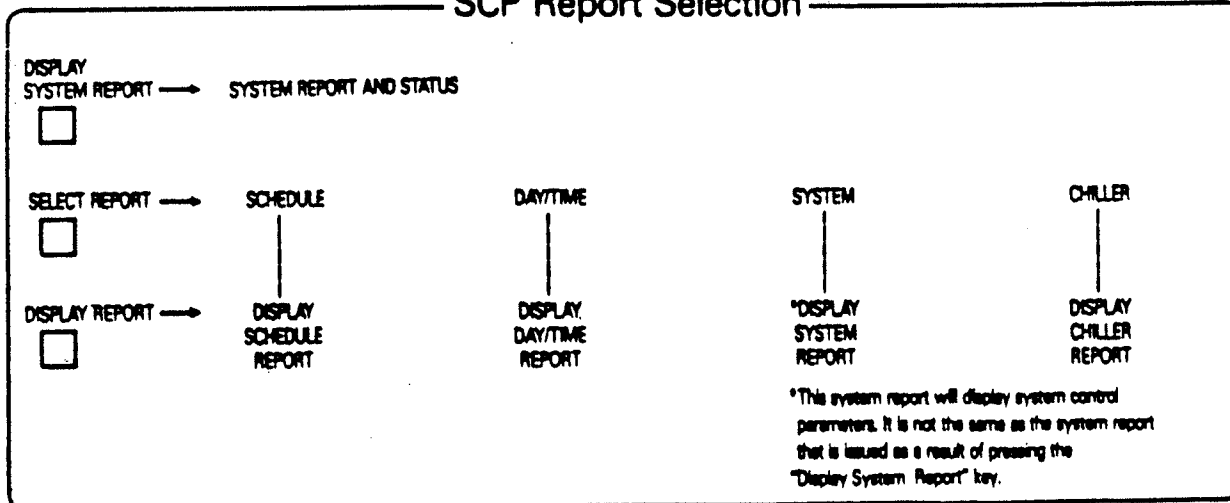


SCP Program Selection



SCP Report Selection



X39470451-01