



Title: 23XL PSIO INSTALLATION
INSTRUCTION

Number: C9605
Date: 1/25/96
Supersedes:
Date:

Models Affected:

Purpose:

To provide a copy of the 23XL PSIO
installation instruction sheet number
99TA550150 Rev. A.

FILE: Controls

Prepared By:

Nick Chashin

NICK CHASHIN

Approved By:

Alan M Johnson

ALAN M JOHNSON

MAIL KEYS: 2.40A, 2.40M, 2.40I, 2.40J, 2.40G, 2.40, 5.25G, 2.33A, 2.33B, 2.33D

INSTRUCTIONS

REPLACEMENT COMPONENT DIVISION

23XL PSIO MODULE

23XL 660 018

For Use With: _____

01/05/96

Part Description

Part Number

Date: _____

WAYNE HAMILTON

Instruction 99TA550150 REV A

Prepared By: _____

Sheet Number _____

23XL PSIO INSTALLATION INSTRUCTIONS

Note: When using 23XL PSIO module with software Version 14 or higher, to replace an earlier version of software, wiring modifications as described below **MUST** be performed concurrently:

- I. The following instructions are applicable only to **23XL** chillers built prior to February 1995, having separate oil level switch and oil temperature sensors. (For chillers built after February 1995 with a combined oil level switch/oil temperature sensor using a yellow jacketed cable, see **II** below.)
1. Record the **Total Compressor Starts** and the **Compressor Ontime** from Status 01 table screen in the LID.
 2. Remove power to the power panel.
 3. In the power panel:
 - a. Remove the yellow wire connecting terminal **50** to terminal **6**.
 - b. Locate the brown wire connected to terminal **1** and originating from the wire harness leading to the control panel (*not* the brown wire connecting terminal **1** to the oil heater contactor). Relocate that brown wire from terminal **1** to terminal **6**.
 - c. Affix the provided power panel schematic adhesive label #1 (partial) to the matching location on the original label on the power panel door.
 4. In the control panel:
 - a. Remove all plugs from the PSIO module and remove the module.
 - b. Restore power to the power panel. When the LID screen re-appears, press the MENU softkey, then press the SERVICE softkey. Enter the Password (if applicable). Move the highlight bar down to the ATTACH TO NETWORK DEVICE line. Press the SELECT softkey. Now press the ATTACH softkey. The lid will then show 'UPLOADING TABLES, PLEASE WAIT', and then show 'COMMUNICATIONS FAILURE'. Now press the EXIT softkey.
 - c. Remove power to the power panel.
 - d. Install the new PSIO module (with Version 14 or later software).
 - e. Locate the white/yellow wire connected to plug **J7**, pin #19. Move this wire from pin #19 to pin #21 (within plug **J7**).
 - f. Reconnect all plugs from the PSIO module.
 - g. Affix the provided control panel schematic adhesive label #2 (partial) to the matching location on the original label on the control panel door



North American Operations • Carrier Corporation

5. Restore power to the power panel. The LID will automatically upload this new PSIO module.
6. Now access the STATUS 01 table, and move the highlight bar down to the TOTAL STARTS line. Press SELECT. Insert the value recorded in above step 1. Press ENTER. Now move the highlight bar to the COMPRESSOR RUN HOURS line. Press SELECT. Insert the value recorded in above step 1. Press ENTER when complete.
7. Now complete the PSIO installation by following the instructions in Start-Up, Operation, and Maintenance Instructions, input all the proper configurations, the TIME and DATE, etc. Check the pressure transducer calibrations and re-calibrate the motor amps.

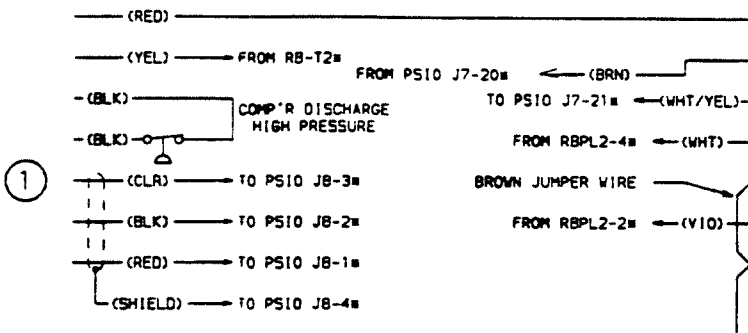
II. The following instructions apply to **23XL** chillers built after February 1995, having a combined oil level switch/oil temperature sensor using a yellow jacketed cable.

1. Record the **Total Compressor Starts** and the **Compressor Ontime** from Status 01 table screen in the LID.
2. Remove power to the power panel.
3. In the control panel:
 - a. Remove all plugs from the PSIO module and remove the module.
 - b. Restore power to the power panel. When the LID screen re-appears, press the MENU softkey, then press the SERVICE softkey. Enter the Password (if applicable). Move the highlight bar down to the ATTACH TO NETWORK DEVICE line. Press the SELECT softkey. Now press the ATTACH softkey. The lid will then show 'UPLOADING TABLES, PLEASE WAIT', and then show 'COMMUNICATIONS FAILURE'. Now press the EXIT softkey.
 - c. Remove power to the power panel
 - d. Install the new PSIO module. (with Version 14 or later software).
 - e. Disconnect the brown wire connected to plug J7, pin #20. Cut off the stripped lead end, tape or insulate and restrain wire to prevent grounding. (Wire is to be left disconnected.)
 - f. Locate the red/white wire connected to plug J7, pin #19; move this wire from pin #19 to pin #20 (within plug J7).
 - g. Locate the red/black wire connected to breaker CB2. Disconnect from CB2, strip end, and insert into plug J7, pin #21.
 - h. Reconnect all plugs from the PSIO module.
 - i. Affix the provided control panel schematic adhesive label #3 (partial) to the matching location on the original label on the control panel door.
4. Restore power to the power panel. The LID will automatically upload this new PSIO module.
5. Now access the STATUS 01 table, and move the highlight bar down to the TOTAL STARTS line. Press SELECT. Insert the value recorded in above step 1. Press ENTER. Now move the highlight bar to the COMPRESSOR RUN HOURS line. Press SELECT. Insert the value recorded in above step 1. Press ENTER when complete.
6. Now complete the PSIO installation by following the instructions in Start-Up, Operation, and Maintenance Instructions, input all the proper configurations, the TIME and DATE, etc. Check the pressure transducer calibrations and re-calibrate the motor amps.

INSTRUCTIONS

REPLACEMENT COMPONENT DIVISION

23XL05005801

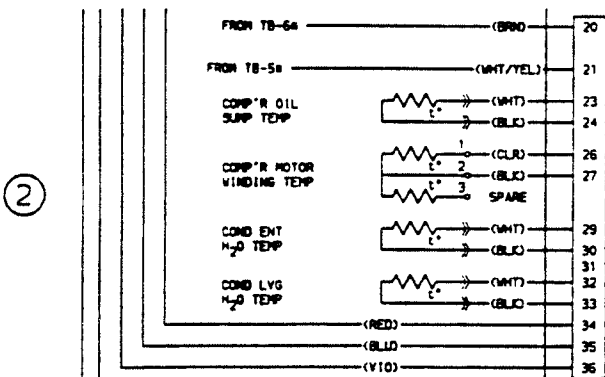


APPLIES ONLY TO POWER PANEL LABELS FOR UNITS WITH OIL LEVEL SAFETY SWITCH WIRED TO POWER PANEL TERMINALS 5 & 6 (EARLIER DESIGN) VIA A GRAY-SHEATHED CABLE.

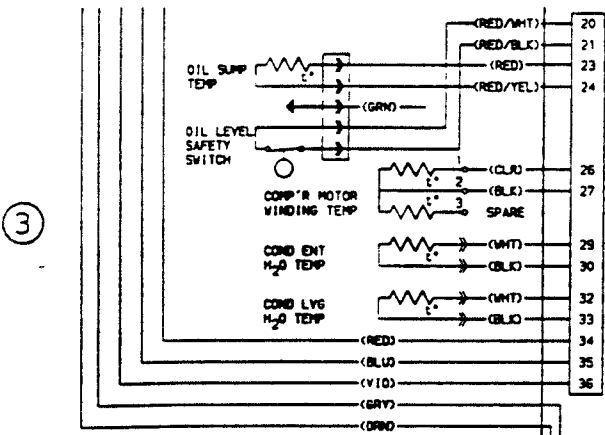
99TA550150

INSTALLATION HINT

If panel label is dampened the adhesive label can be lined up easier and then the water can be squeezed out..



APPLIES TO CONTROL PANEL LABELS FOR UNITS WITH OIL LEVEL SAFETY SWITCH WIRED TO POWER PANEL TERMINALS 5 & 6 (EARLIER DESIGN) VIA A GRAY-SHEATHED CABLE.



APPLIES TO CONTROL PANEL LABELS FOR UNITS WITH OIL LEVEL SAFETY SWITCH WIRED TO THE PS10 CONNECTOR IN THE CONTROL PANEL VIA A YELLOW-SHEATHED CABLE (LATER DESIGN).

NOTE:
AFFIX ONE OR TWO OF THESE PARTIAL SCHEMATICS (AS APPROPRIATE) OVER THE CORRESPONDING PARTS OF THE LABELS FOUND ON POWER AND CONTROL PANEL DOORS ON THE UNIT BEING RETROFITTED.

LABEL 23XL05005801

Replacement
Components
Division