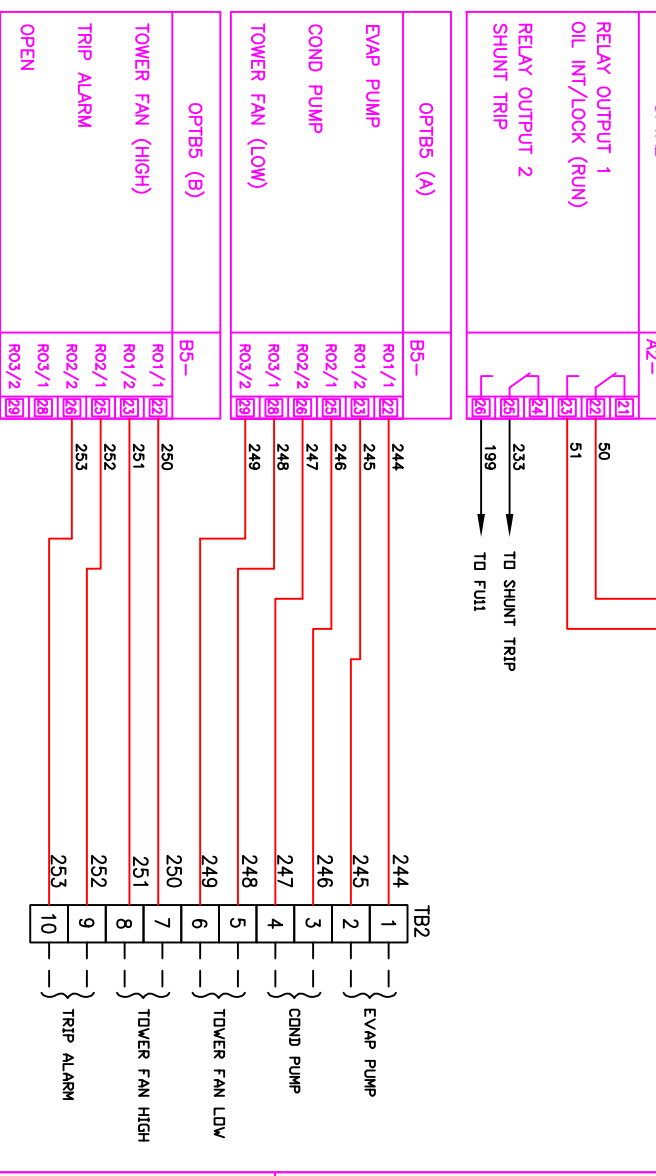
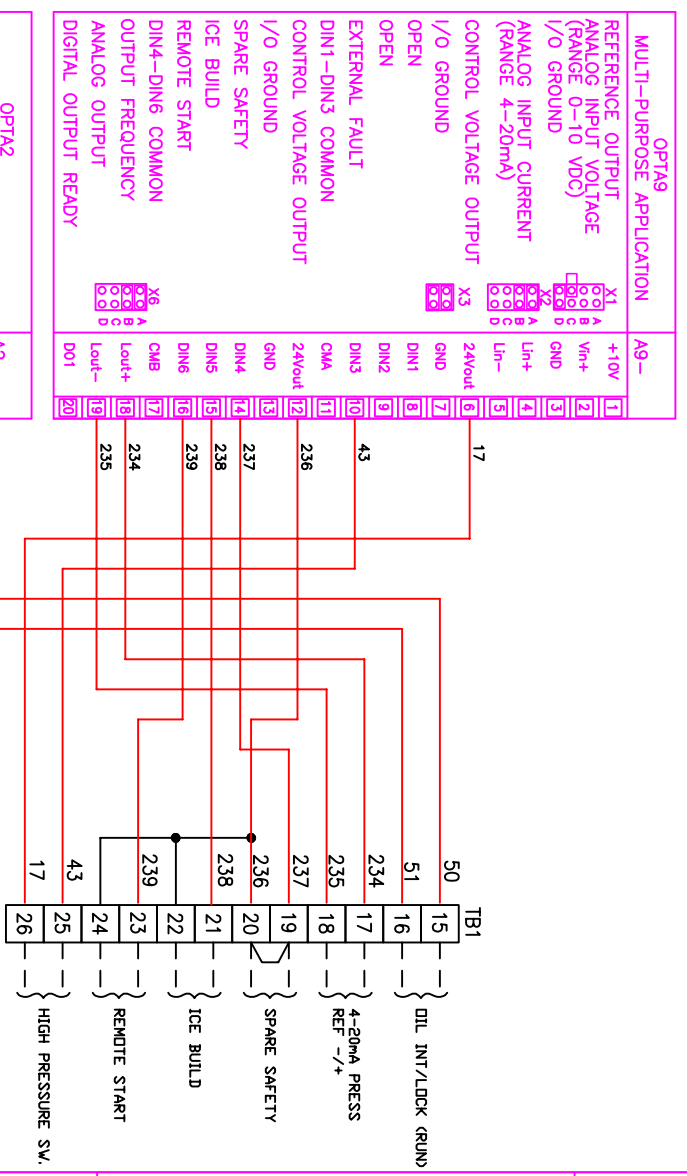
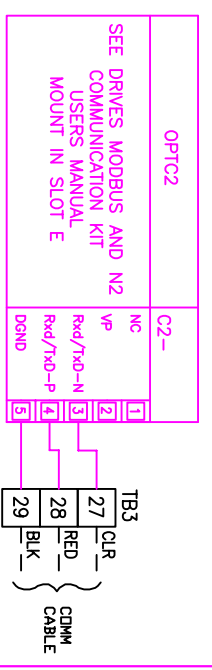
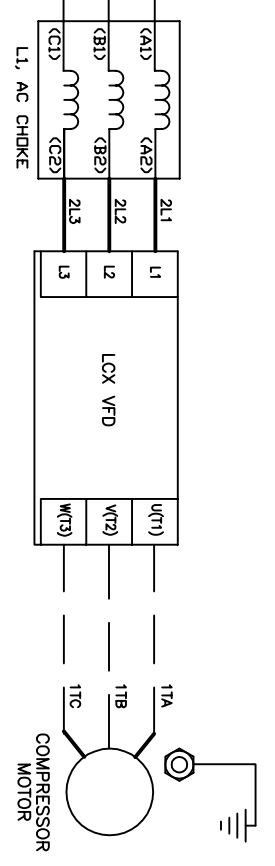


— CARRIER FACTORY WIRING
 □ TERMINAL BOARD



THE INFORMATION ON THIS DRAWING IS THE PROPERTY OF EATON/CUTLER-HAMMER INC., IS DISCLOSED IN CONFIDENCE AND IS NOT TO BE REPRODUCED, USED OR DISCLOSED EXCEPT FOR THE PURPOSE FOR WHICH FURNISHED.

ADDED MISSING WIRE DESIGNATIONS 4-20-10, KC

THIRD ANGLE PROJECTION	FILE TYPE AutoCAD	DWG. FILENAME 202-009004	DWG. SIZE B	ECO NUMBER 15834	REVISION 04	G.O. NUMBER	DWG. NO. 202-009004-0001	SHEET 1 OF 1	
DATE 07/07/09		DATE 07/07/09		DATE 07/07/09		DATE 07/07/09		DATE 07/07/09	
DR BZ		DR BZ		DR BZ		DR BZ		DR BZ	
TITLE COMM VERSION FOR CARRIER		TITLE COMM VERSION FOR CARRIER		TITLE COMM VERSION FOR CARRIER		TITLE COMM VERSION FOR CARRIER		TITLE COMM VERSION FOR CARRIER	
PRODUCT LCX9000		PRODUCT LCX9000		PRODUCT LCX9000		PRODUCT LCX9000		PRODUCT LCX9000	
CONTROL SCHEMATIC		CONTROL SCHEMATIC		CONTROL SCHEMATIC		CONTROL SCHEMATIC		CONTROL SCHEMATIC	